



US00D865314S

(12) **United States Design Patent**  
**Katsuyama**

(10) **Patent No.:** **US D865,314 S**

(45) **Date of Patent:** **\*\* Oct. 29, 2019**

(54) **CRANE**

(71) Applicant: **MAEDA SEISAKUSHO CO., LTD.**,  
Nagano (JP)

(72) Inventor: **Jiro Katsuyama**, Nagano (JP)

(73) Assignee: **MAEDA SEISAKUSHO CO., LTD.**,  
Nagano (JP)

(\*\*) Term: **15 Years**

(21) Appl. No.: **35/505,639**

(22) Filed: **Mar. 13, 2018**

(80) **Hague Agreement Data**

Int. Filing Date: **Mar. 13, 2018**

Int. Reg. No.: **DM/100237**

Int. Reg. Date: **Mar. 13, 2018**

Int. Reg. Pub. Date: **Sep. 14, 2018**

(30) **Foreign Application Priority Data**

Dec. 15, 2017 (JP) ..... 2017-028104

(51) **LOC (12) Cl.** ..... **12-05**

(52) **U.S. Cl.**  
USPC ..... **D34/34**

(58) **Field of Classification Search**

USPC ..... D34/28, 33, 34, 35, 36

CPC ..... B66C 17/00; B66C 23/701; B66C 23/705;  
B66C 23/706

See application file for complete search history.

(56) **References Cited**

U.S. PATENT DOCUMENTS

D251,239 S \* 3/1979 Grove ..... D34/34

D251,240 S \* 3/1979 Grove ..... D34/34

D814,737 S \* 4/2018 Tokutome ..... D34/33

D821,676 S \* 6/2018 Katsuno ..... D34/33

\* cited by examiner

*Primary Examiner* — Robert M. Spear

(74) *Attorney, Agent, or Firm* — Buchanan Ingersoll &  
Rooney PC

(57) **CLAIM**

The ornamental design for a crane, as shown and described.

**DESCRIPTION**

1. Crane

1.1 : Front

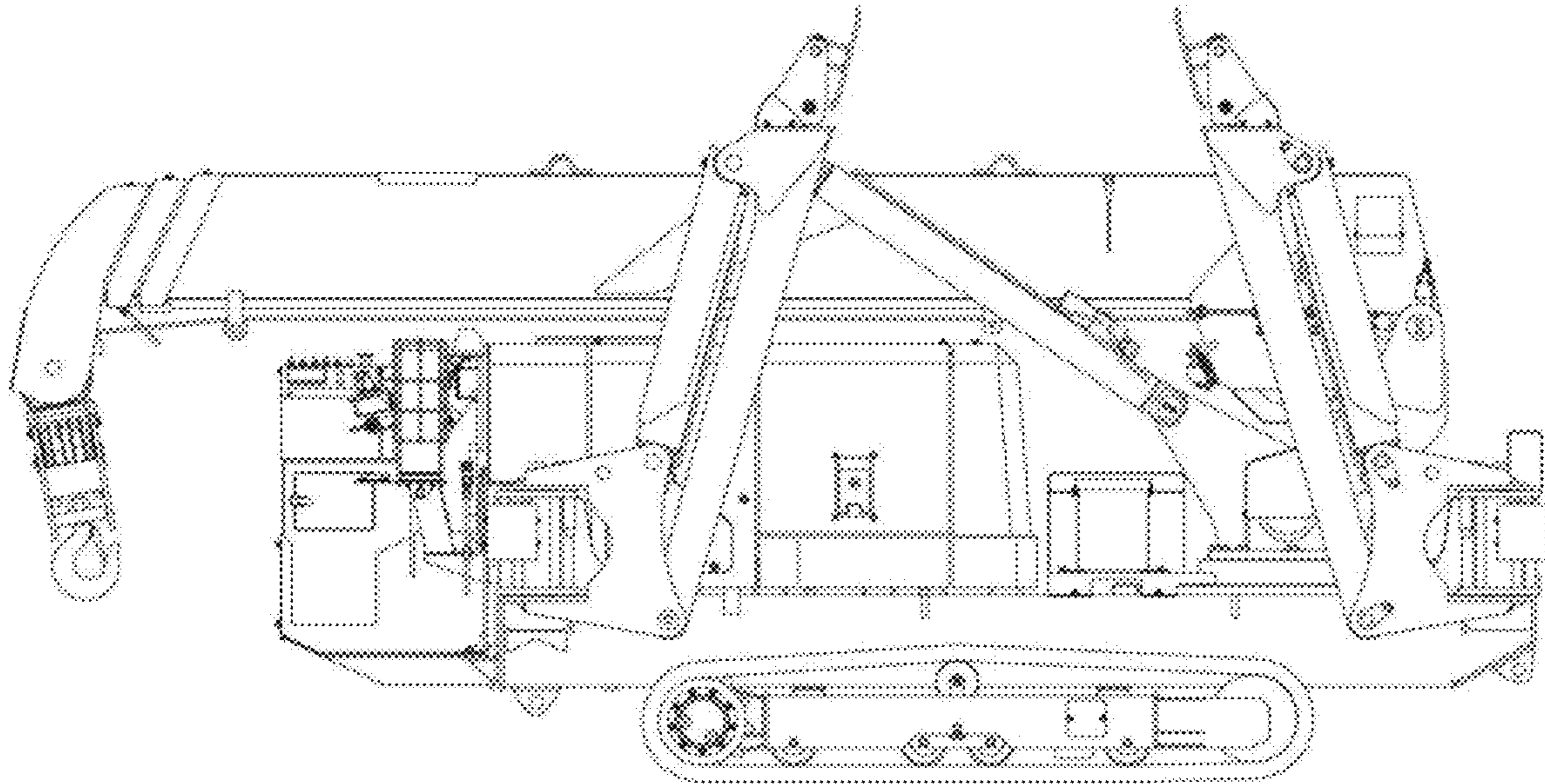
1.2 : Back

1.3 : Left

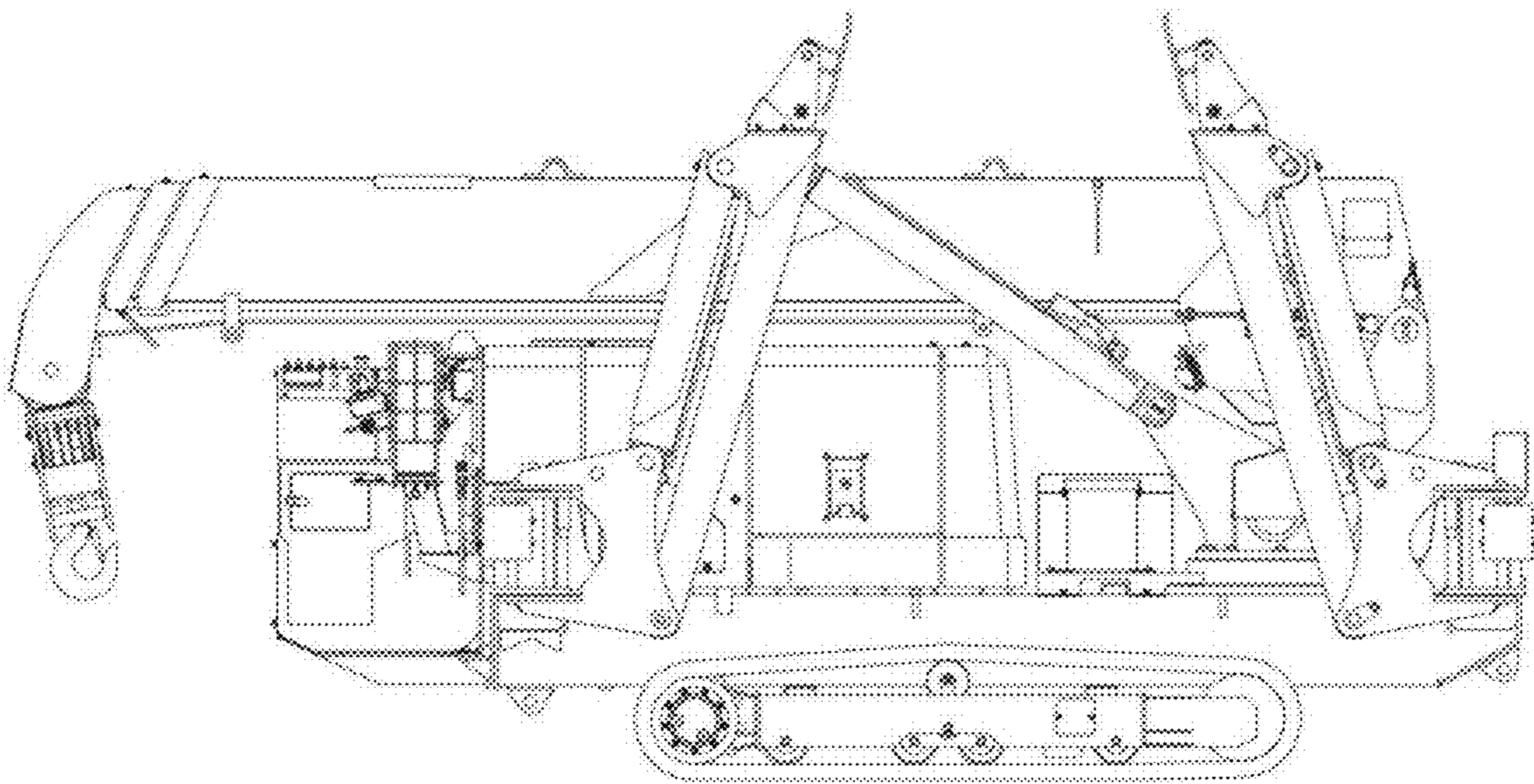
1.4 : Right

1.5 : Top

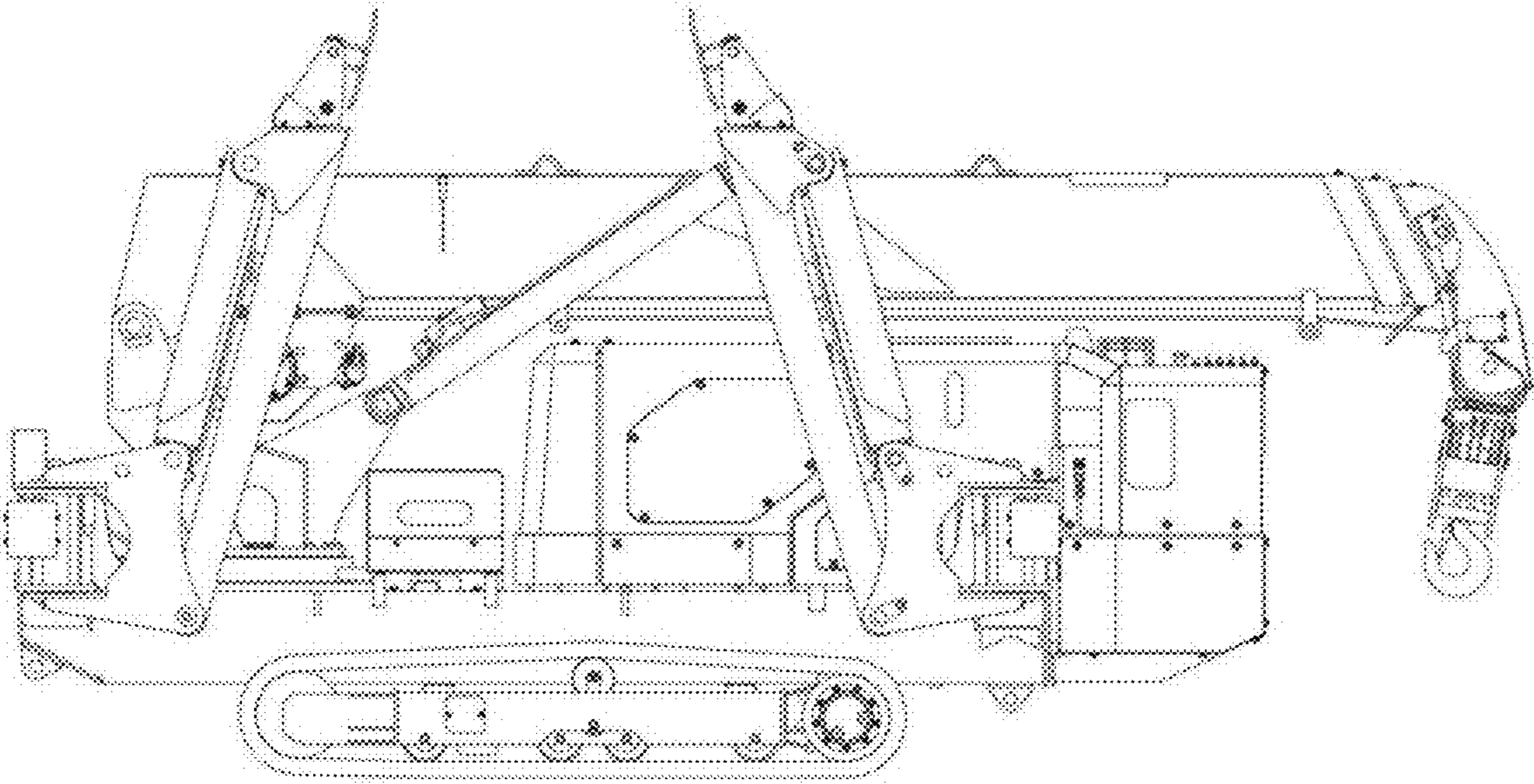
**1 Claim, 5 Drawing Sheets**



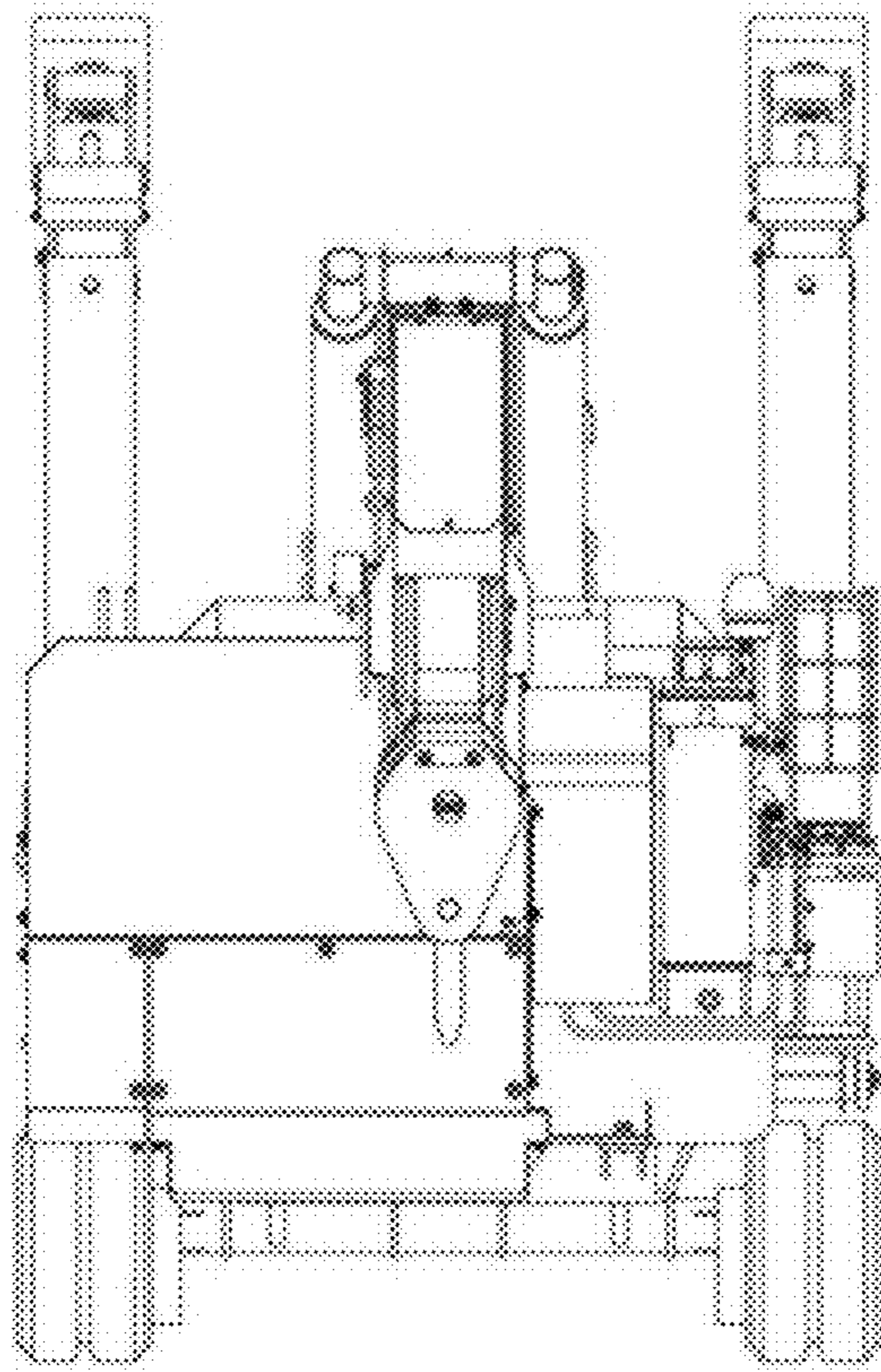
1.1



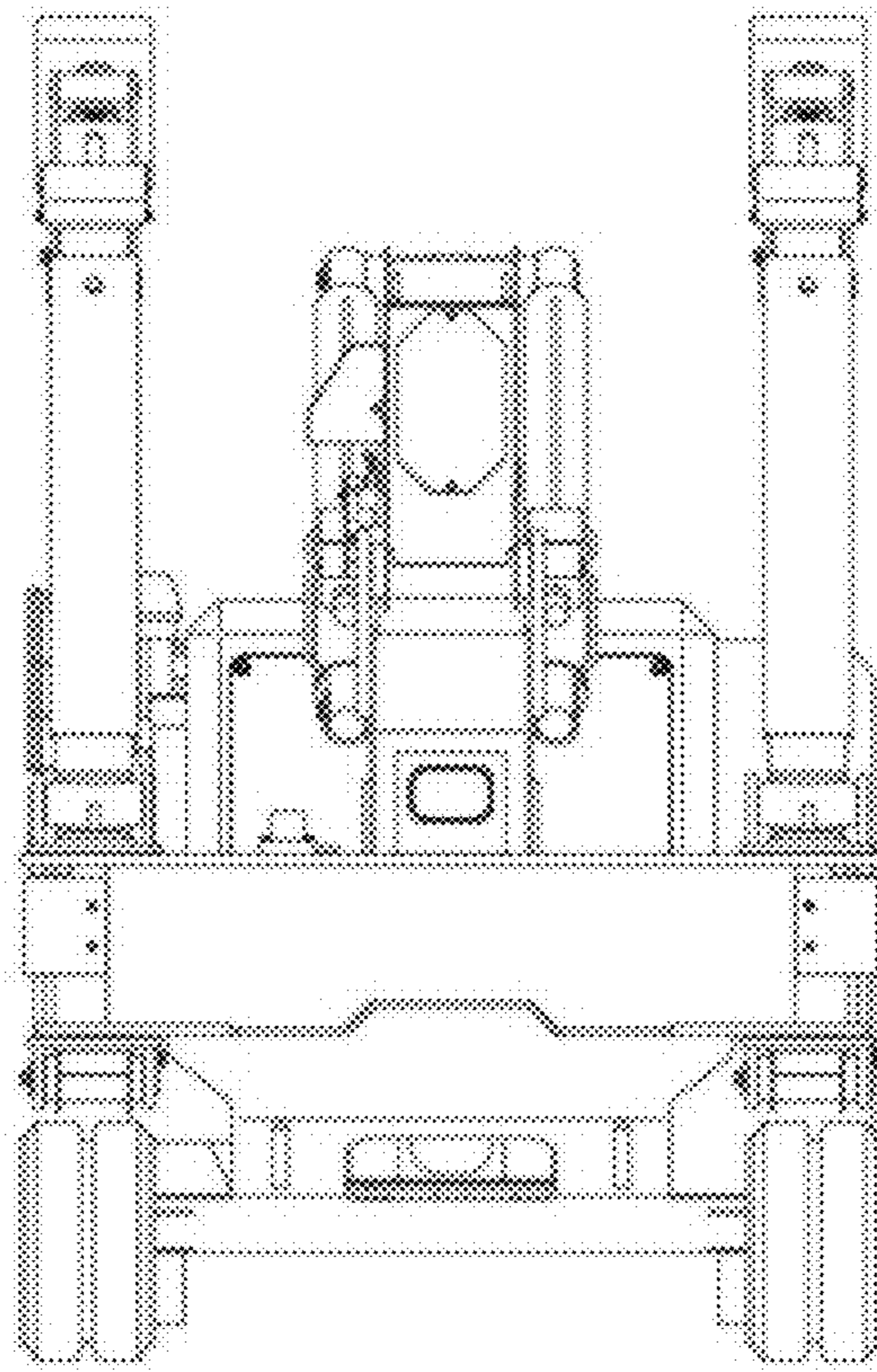
1.2



**1.3**



1.4



1.5

