

US00D865313S

(12) **United States Design Patent**  
**Bosveld et al.**

(10) **Patent No.:** **US D865,313 S**  
(45) **Date of Patent:** **\*\* Oct. 29, 2019**

- (54) **MATERIAL HOPPER**
- (71) Applicant: **Stratasys, Inc.**, Eden Prairie, MN (US)
- (72) Inventors: **Michael D. Bosveld**, Bloomington, MN (US); **Robert L. Skubic**, Chanhassen, MN (US); **Robert E. Styer**, Apple Valley, MN (US)
- (73) Assignee: **STRATASYS, INC.**, Eden Prairie, MN (US)
- (\*\*) Term: **15 Years**
- (21) Appl. No.: **29/634,120**
- (22) Filed: **Jan. 18, 2018**

- D279,323 S 6/1985 Spenceley
- 4,558,774 A \* 12/1985 Mikami ..... G01G 19/393  
177/25.18
- D295,339 S \* 4/1988 Culshaw ..... D34/28
- D297,678 S 9/1988 Sisk
- D303,265 S 9/1989 Miyoshi et al.
- 5,127,507 A \* 7/1992 McDermott ..... B65G 11/186  
193/17
- 6,102,562 A \* 8/2000 Bengtson ..... B01F 5/246  
193/2 R
- D431,889 S 10/2000 Jansen et al.
- 6,158,564 A \* 12/2000 Derelanko ..... F25C 5/22  
193/2 R
- D503,941 S \* 4/2005 Andersen ..... D15/131
- D555,322 S 11/2007 Hlady et al.
- D662,681 S \* 6/2012 Simpson ..... D34/35
- 8,297,541 B2 \* 10/2012 Roberts ..... B01D 45/16  
141/339

(Continued)

**Related U.S. Application Data**

- (63) Continuation of application No. 29/571,664, filed on Jul. 20, 2016, now Pat. No. Des. 811,036.
- (51) **LOC (12) Cl.** ..... **12-05**
- (52) **U.S. Cl.**  
USPC ..... **D34/28**
- (58) **Field of Classification Search**  
USPC ..... 193/2 R, 3, 4; 220/9.4; 222/189.06, 204;  
239/310; D15/122, 138, 141, 199;  
D18/56, 99; D34/28, 32, 35; D7/589;  
D8/2  
CPC ..... B66F 5/02; A01G 9/143  
See application file for complete search history.

**References Cited**

**U.S. PATENT DOCUMENTS**

- 1,262,876 A \* 4/1918 Turnbull ..... F23G 5/444  
110/116
- D162,376 S \* 3/1951 Broyles ..... 193/4
- D267,360 S \* 12/1982 Pair ..... D34/28
- 4,397,423 A \* 8/1983 Beaver ..... B65G 69/0458  
193/32

*Primary Examiner* — Cynthia Ramirez

*Assistant Examiner* — Michael A Maharajh

(74) *Attorney, Agent, or Firm* — Westman, Champlin & Koehler, P.A.

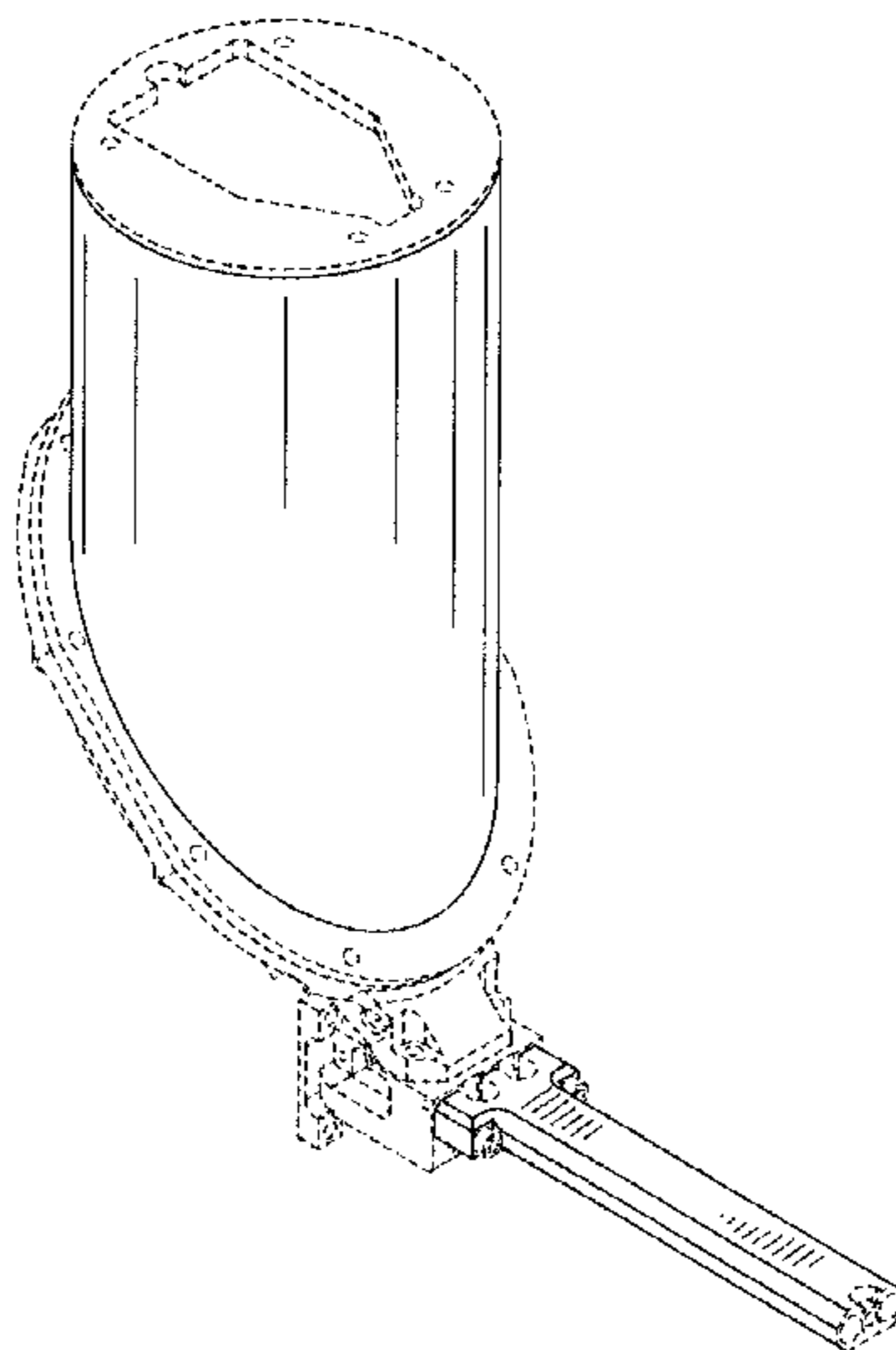
(57) **CLAIM**

The ornamental design for a material hopper, as shown and described.

**DESCRIPTION**

FIG. 1 is a perspective view of a material hopper showing our new design;  
 FIG. 2 is a left side view thereof;  
 FIG. 3 is a right side view thereof;  
 FIG. 4 is a back view thereof;  
 FIG. 5 is a front view thereof;  
 FIG. 6 is a top view thereof; and,  
 FIG. 7 is a bottom view thereof.  
 The broken lines shown in the drawings are included for purposes of illustrating portions of the material hopper and form no part of the claimed design.

**1 Claim, 6 Drawing Sheets**



(56)

**References Cited**

U.S. PATENT DOCUMENTS

D685,402 S \* 7/2013 Cappuccio ..... D15/133  
8,511,048 B2 \* 8/2013 Smith ..... B65B 1/02  
53/575  
D766,045 S \* 9/2016 Ismail ..... D7/589  
D811,036 S \* 2/2018 Bosveld ..... D34/28  
D813,941 S \* 3/2018 Bertolin ..... D18/56  
2013/0161356 A1 6/2013 Kawata  
2013/0313338 A1 11/2013 Liang  
2014/0008361 A1 1/2014 Nguyen  
2016/0215218 A1 7/2016 Hill et al.  
2017/0291364 A1 10/2017 Womer

\* cited by examiner

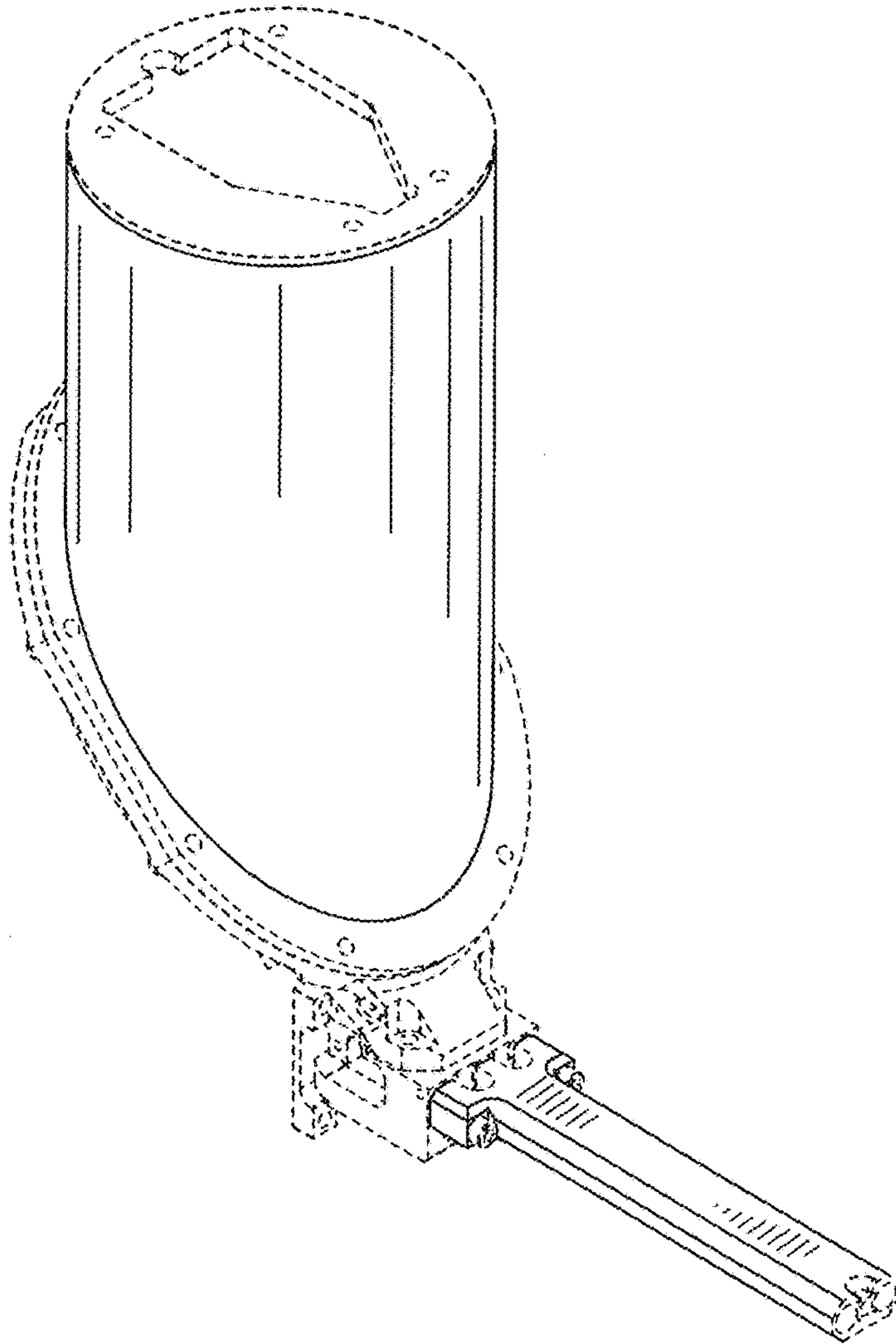


Fig. 1

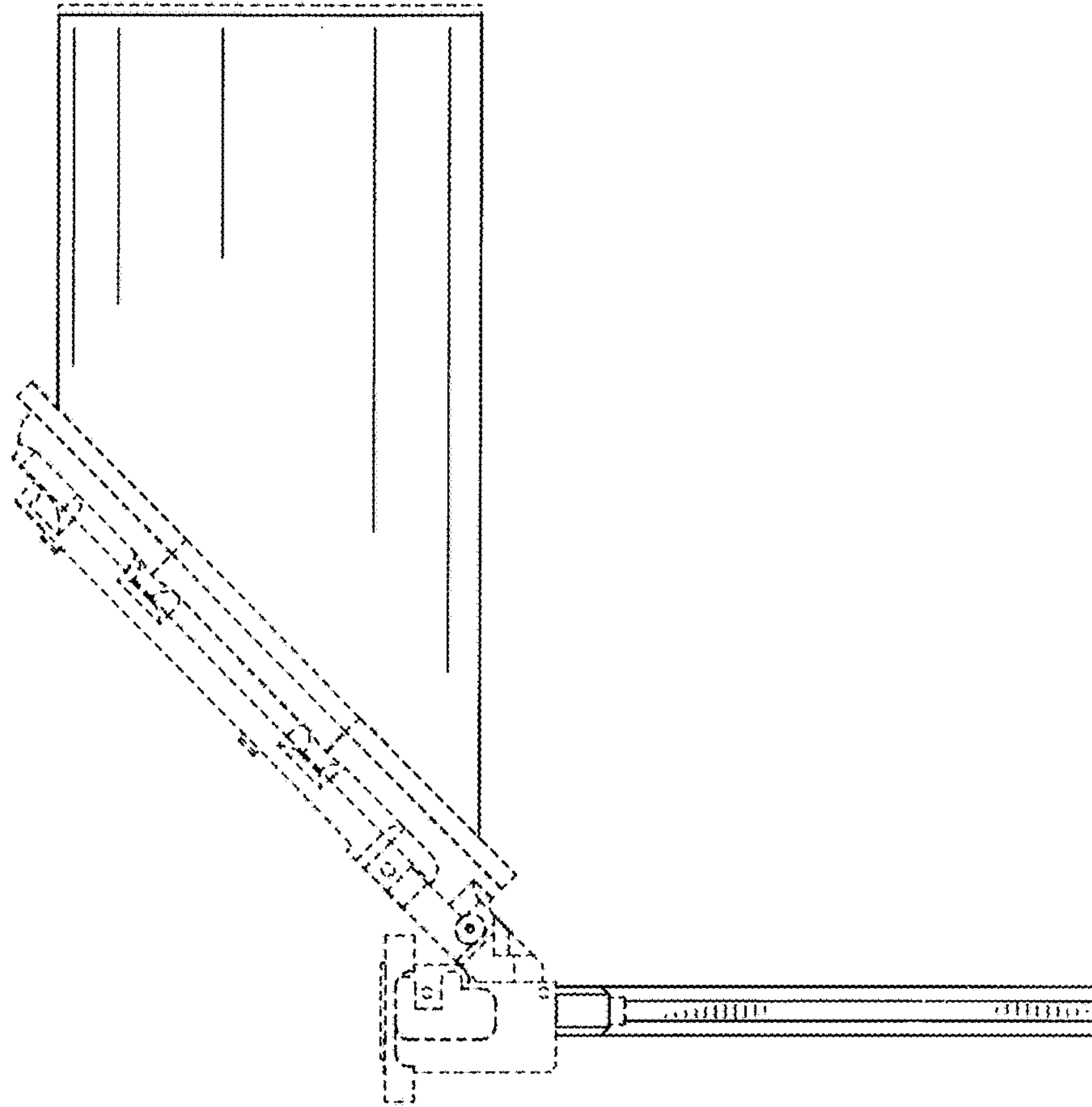


Fig. 2

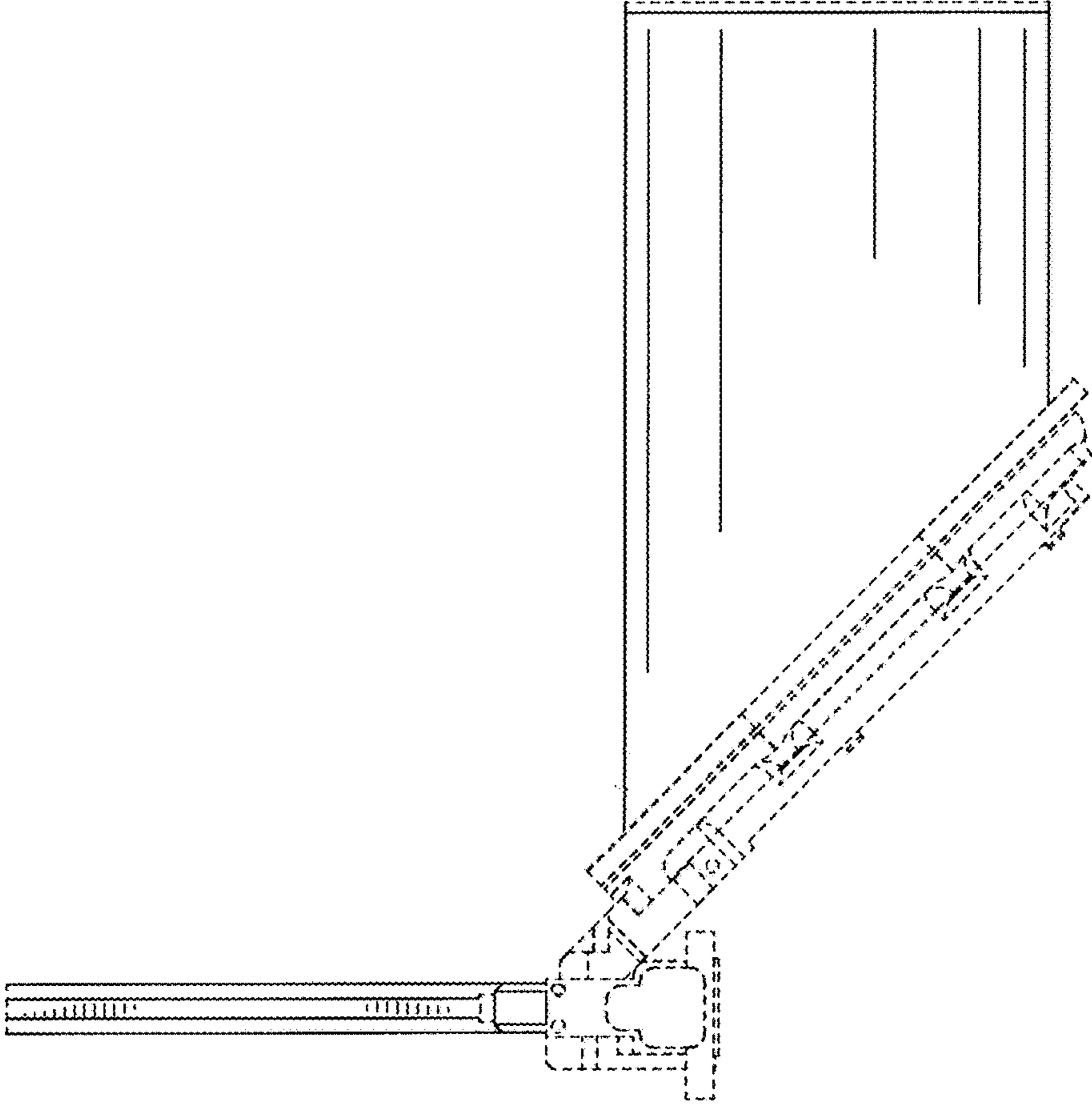


Fig. 3

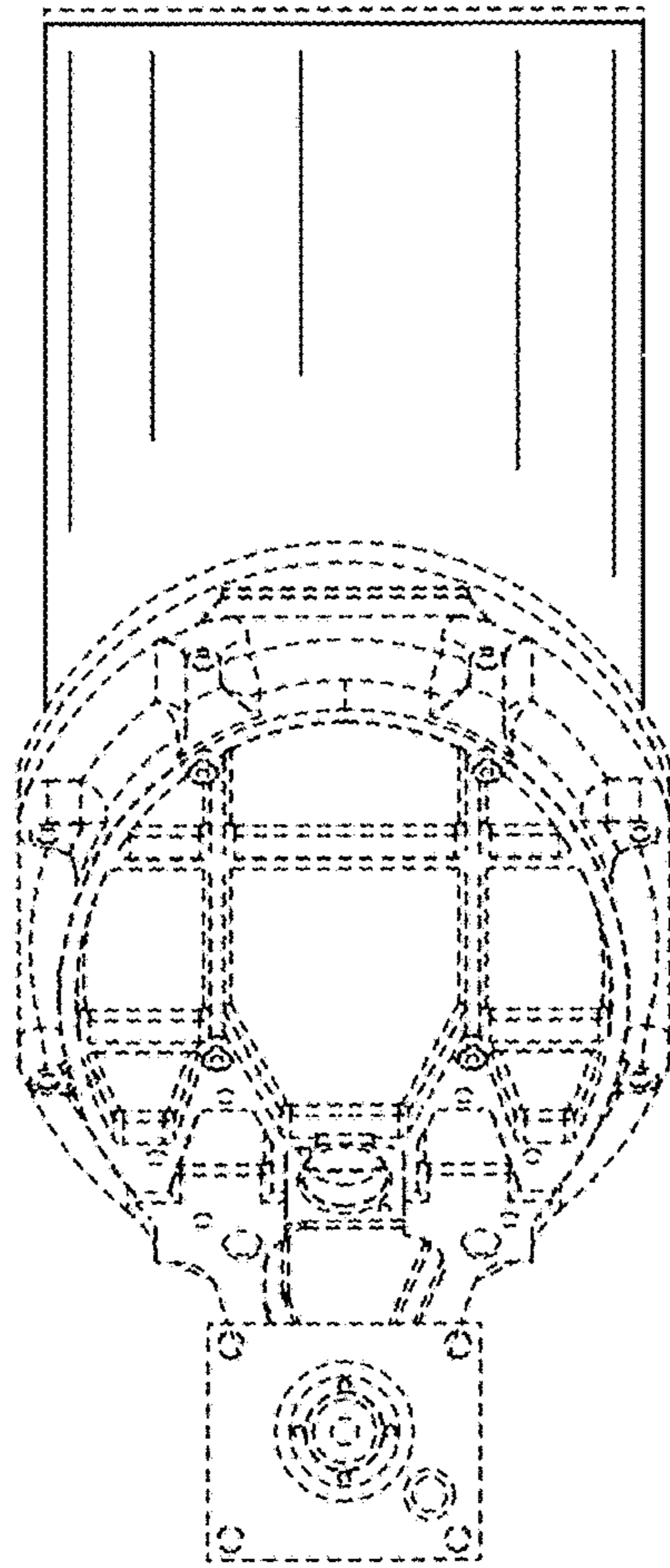


Fig. 4

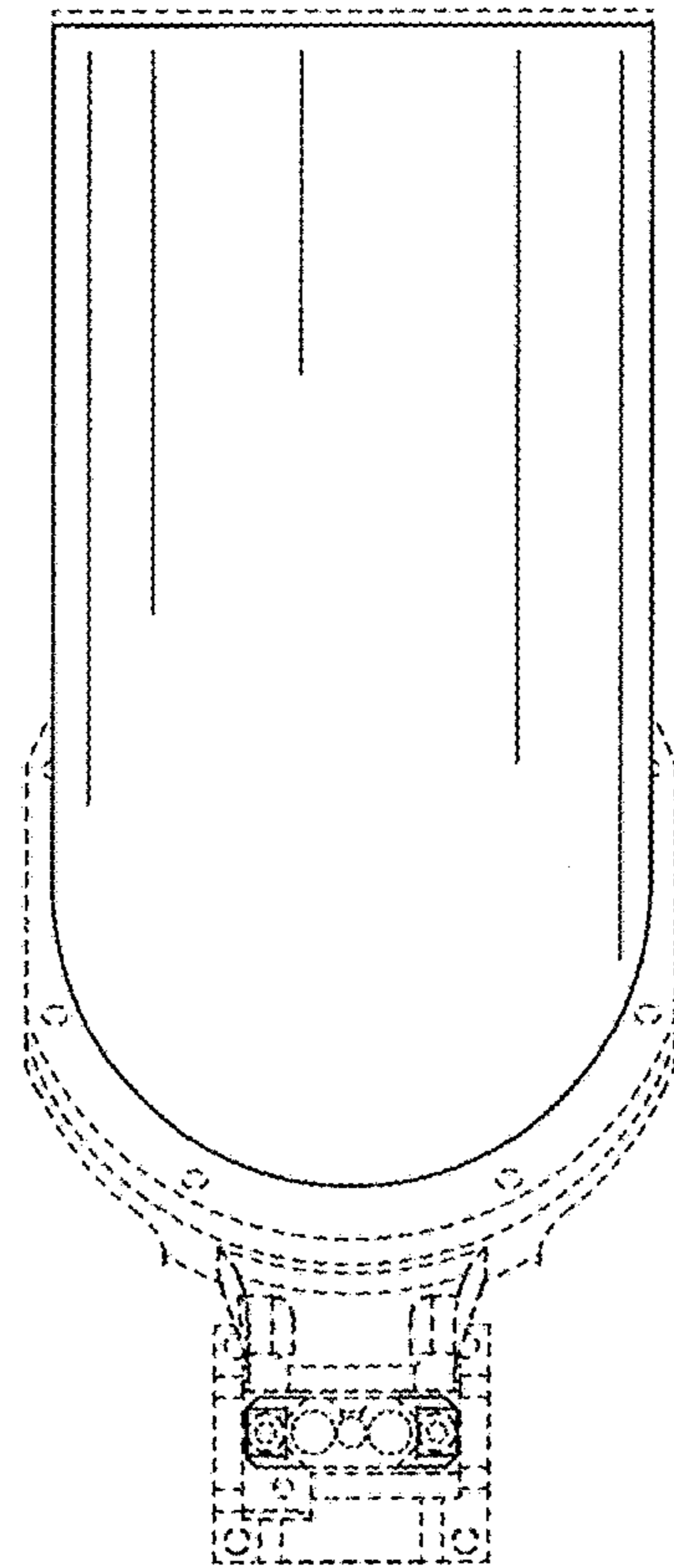


Fig. 5

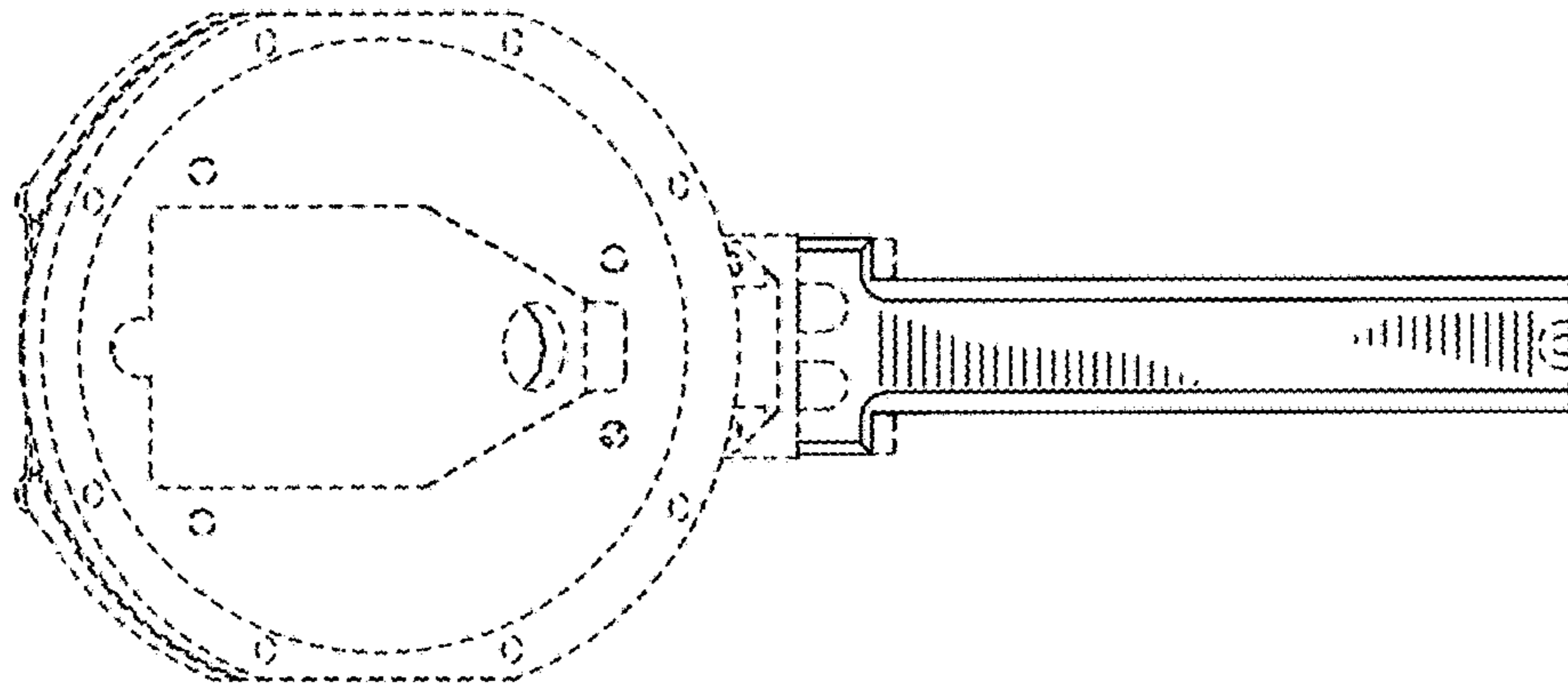


Fig. 6

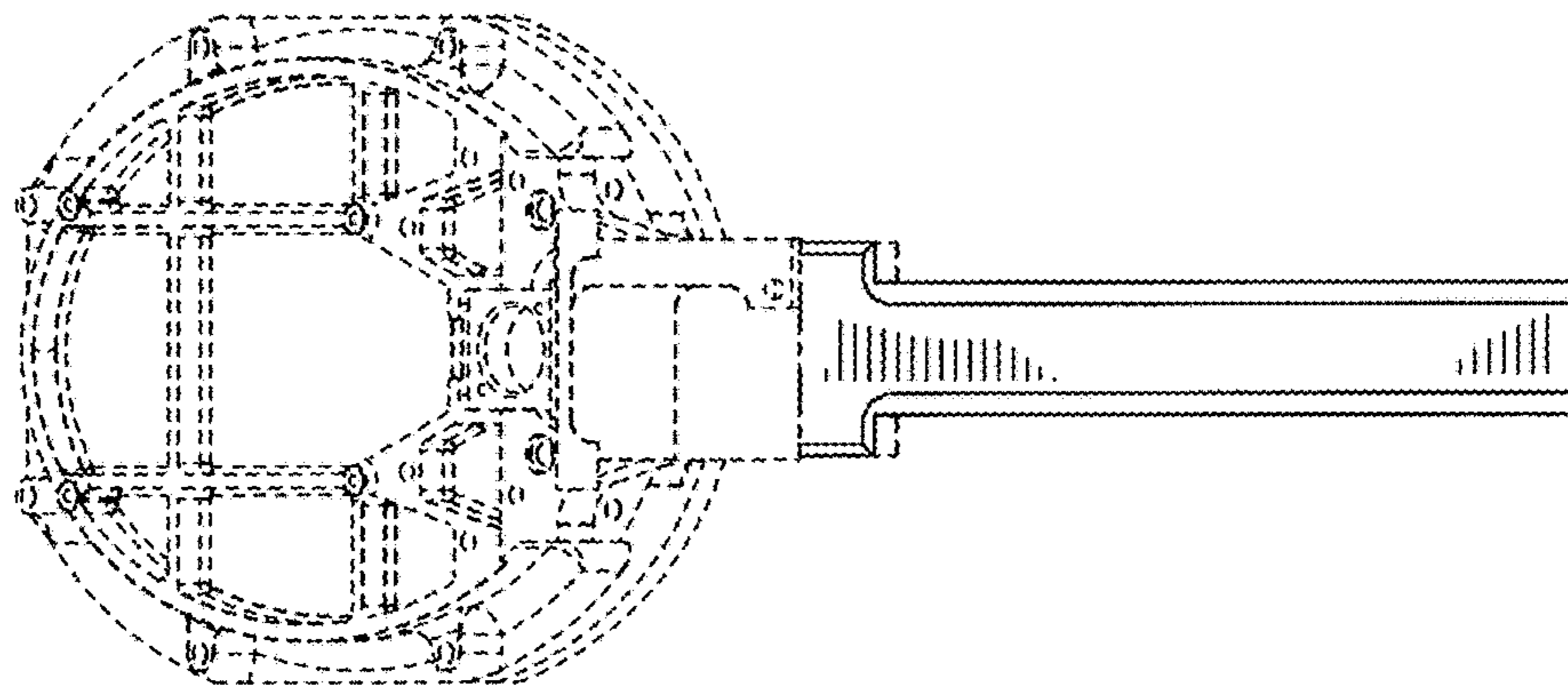


Fig. 7