



US00D865312S

(12) **United States Design Patent**
Beaulieu

(10) **Patent No.:** **US D865,312 S**

(45) **Date of Patent:** **** Oct. 29, 2019**

(54) **GOLF TROLLEY**

(71) Applicant: **HIT THE GREEN SÀRL,**
Avry-Devant-Pont (CH)

(72) Inventor: **Cyril Beaulieu,** Avry-devant-Pont (CH)

(**) Term: **15 Years**

(21) Appl. No.: **35/505,597**

(22) Filed: **Mar. 5, 2018**

(80) **Hague Agreement Data**

Int. Filing Date: **Mar. 5, 2018**

Int. Reg. No.: **DM/100139**

Int. Reg. Date: **Mar. 5, 2018**

Int. Reg. Pub. Date: **Sep. 7, 2018**

(51) **LOC (12) Cl.** **12-13**

(52) **U.S. Cl.**
USPC **D34/15**

(58) **Field of Classification Search**
USPC D34/15; D12/14, 16
CPC B62B 2202/404; B62B 3/02
See application file for complete search history.

(56) **References Cited**

U.S. PATENT DOCUMENTS

D226,079 S * 1/1973 Gifford D12/110
D425,447 S * 5/2000 Hsieh D12/16
D596,821 S * 7/2009 Reimers D34/15
D694,669 S * 12/2013 Schwenk D12/1
D697,683 S * 1/2014 du Toit D34/15

D702,010 S * 4/2014 Wang D34/15
9,079,598 B1 * 7/2015 Oreyang B62B 3/022
D753,021 S * 4/2016 Allen B62B 3/022
D12/16
D786,523 S * 5/2017 Mitchell A63B 55/61
D34/15
D812,837 S * 3/2018 Herrick D34/15
10,016,666 B2 * 7/2018 Reimers A63B 55/61
2010/0052275 A1 * 3/2010 Reimers B62B 3/022
280/47.26
2012/0261908 A1 * 10/2012 Liao B62B 3/12
280/651

OTHER PUBLICATIONS

Screenshot from <https://www.hitthegreen.ch/>. © 2017; 2 pages.
Found online Jun. 13, 2019 (Year: 2017).*

* cited by examiner

Primary Examiner — Robert M. Spear

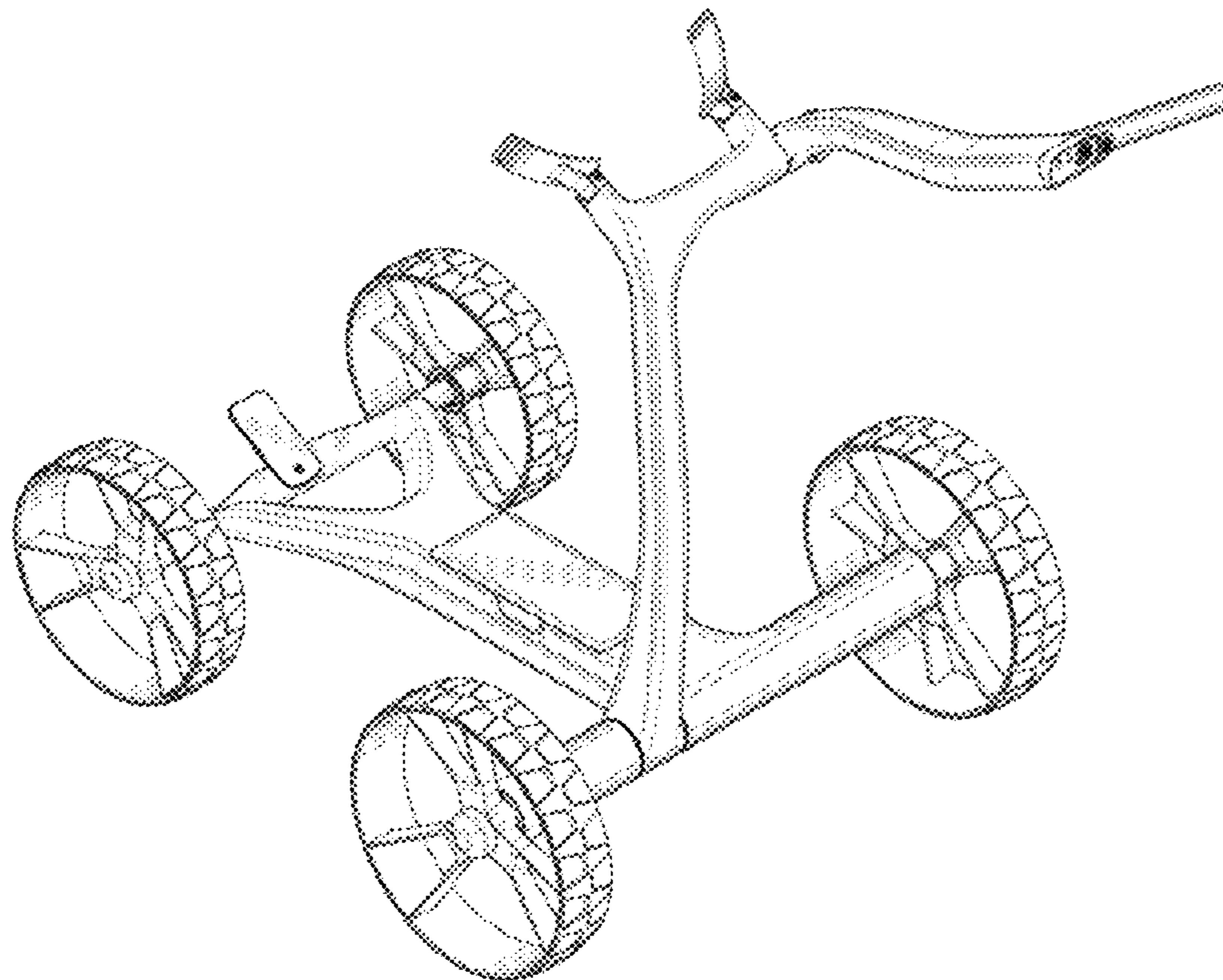
(57) **CLAIM**

The ornamental design for a golf trolley, as shown and described.

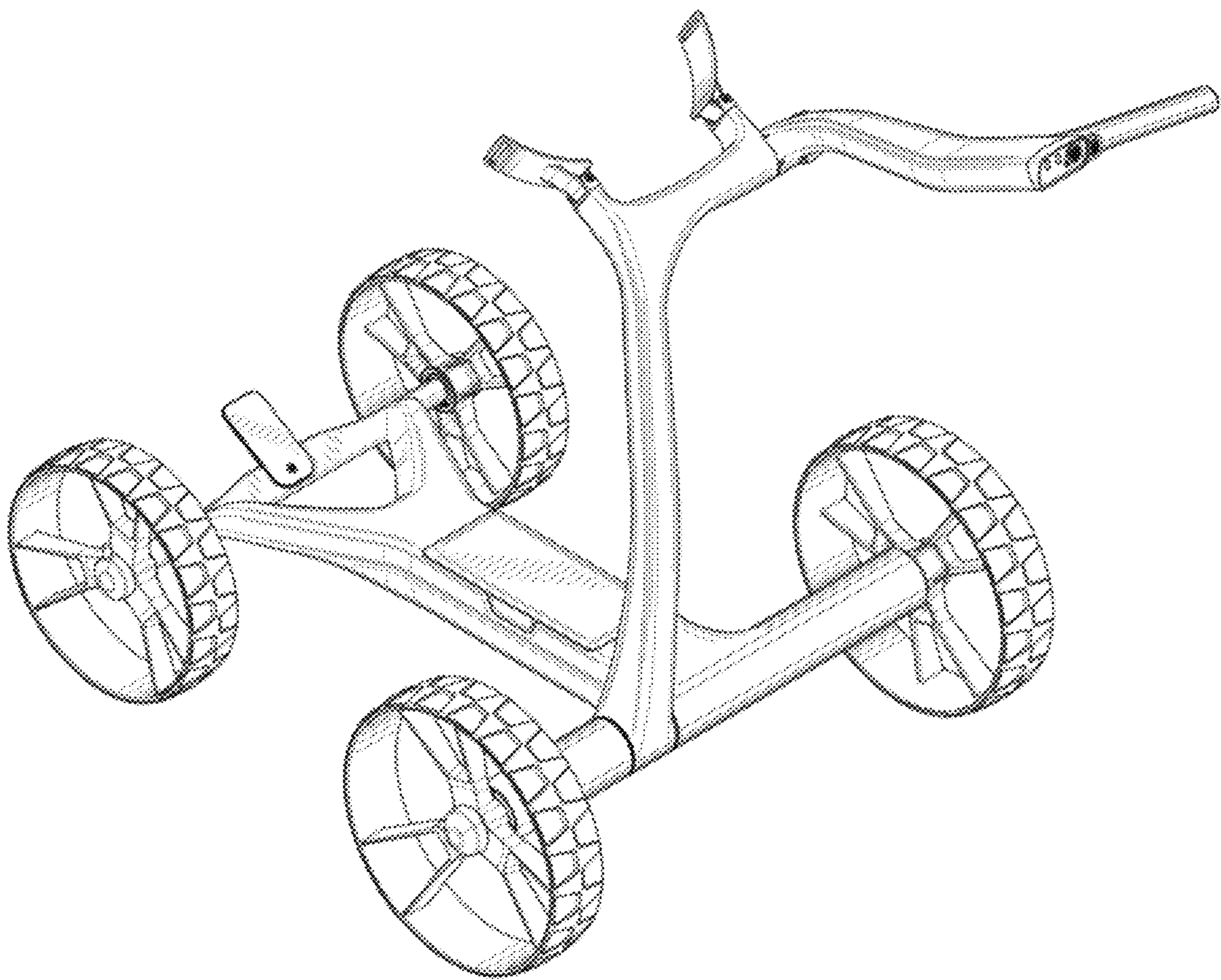
DESCRIPTION

- 1. Golf trolley
- 1.1 : Perspective
- 1.2 : Perspective
- 1.3 : Front
- 1.4 : Back
- 1.5 : Side view
- 1.6 : Side view
- 1.7 : Top
- 1.8 : Bottom

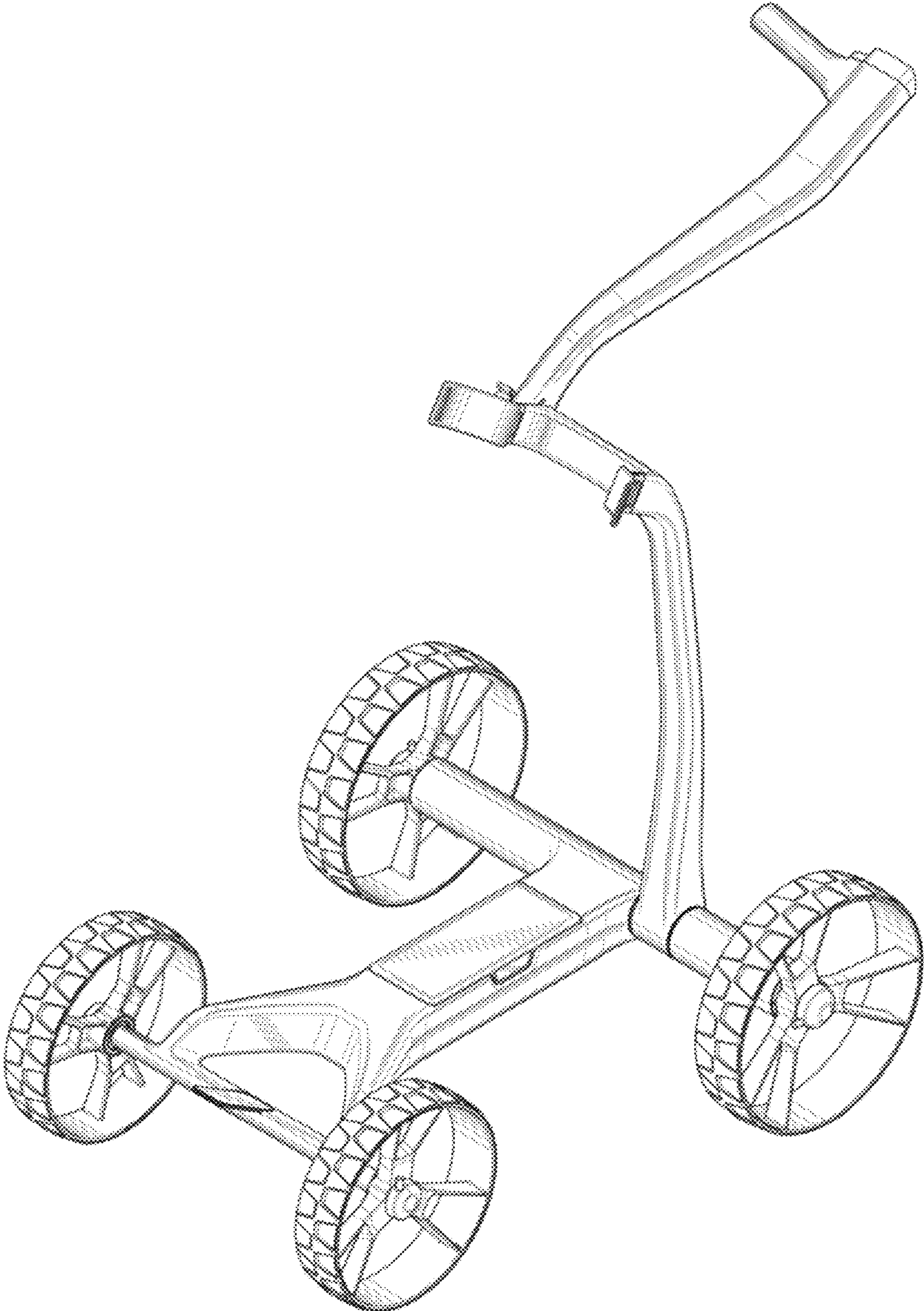
1 Claim, 8 Drawing Sheets



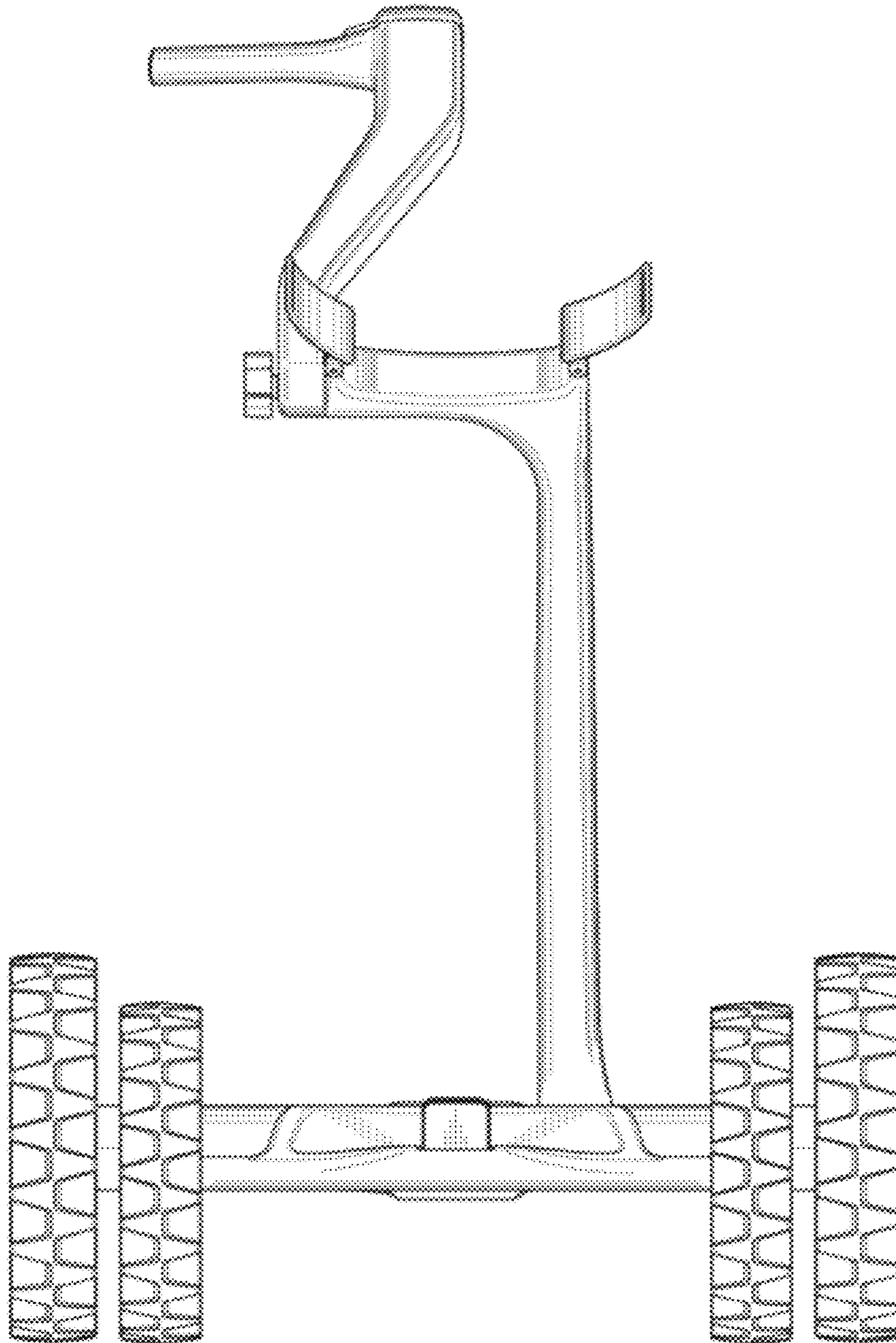
1.1



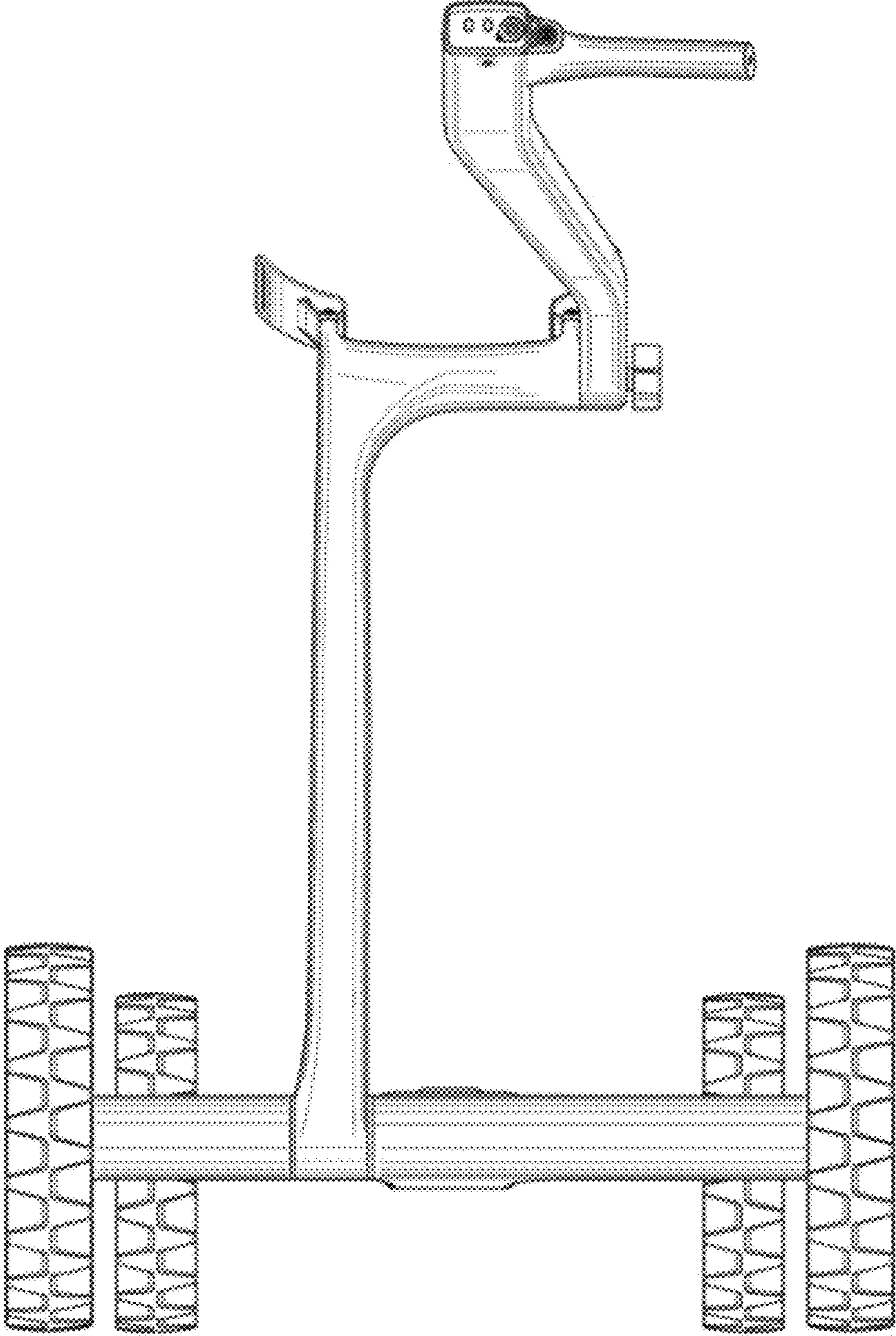
1.2



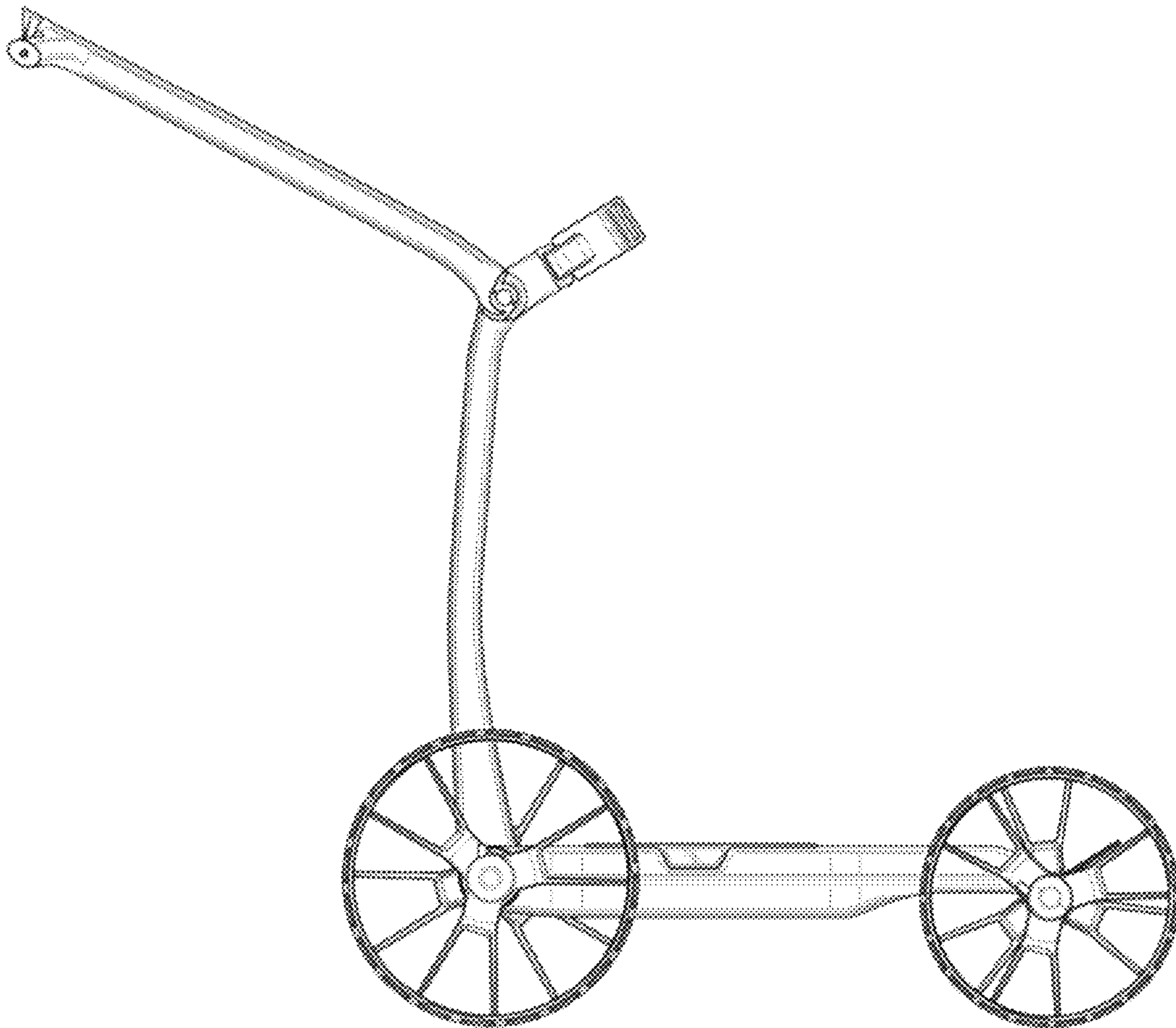
1.3



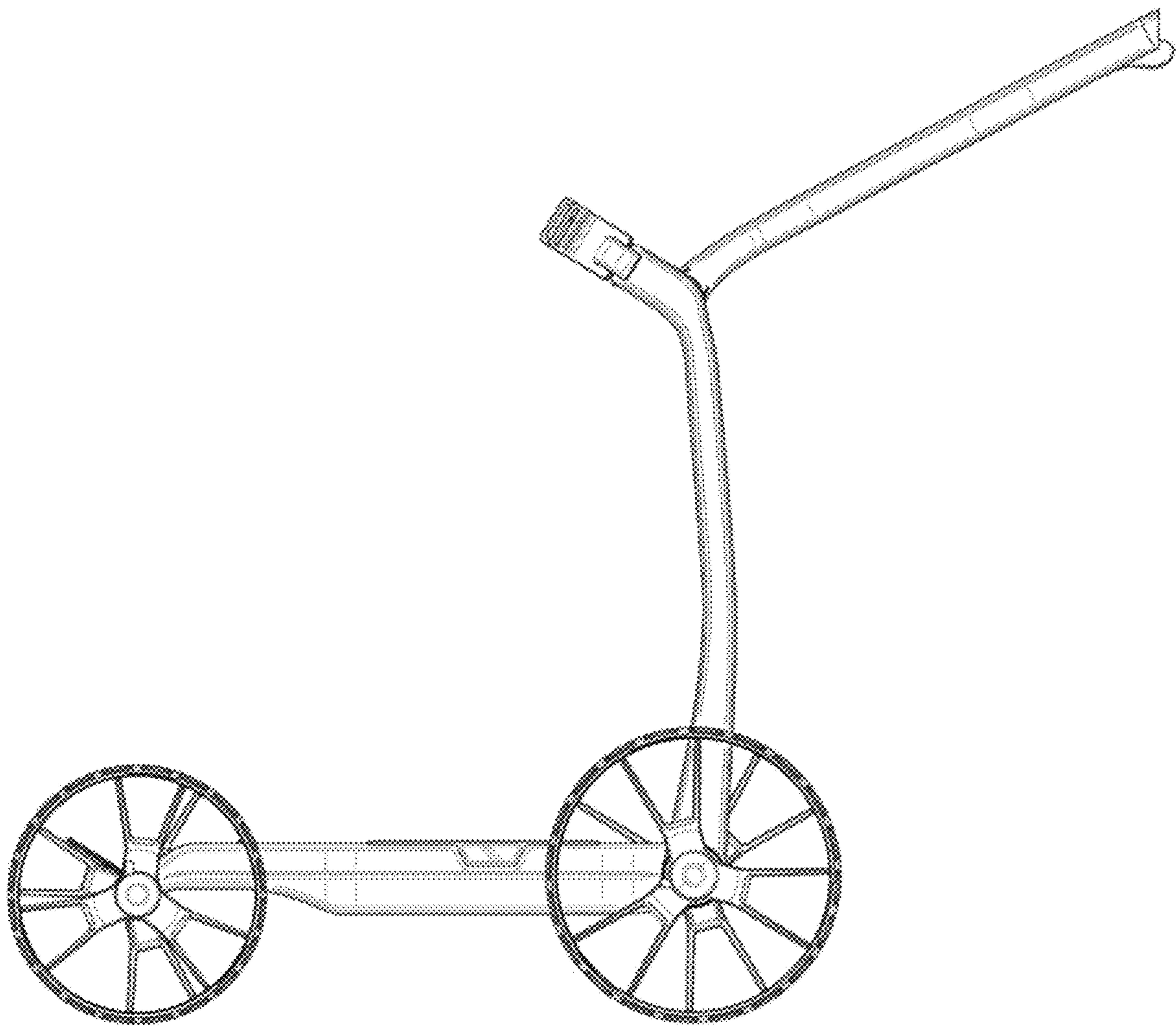
1.4



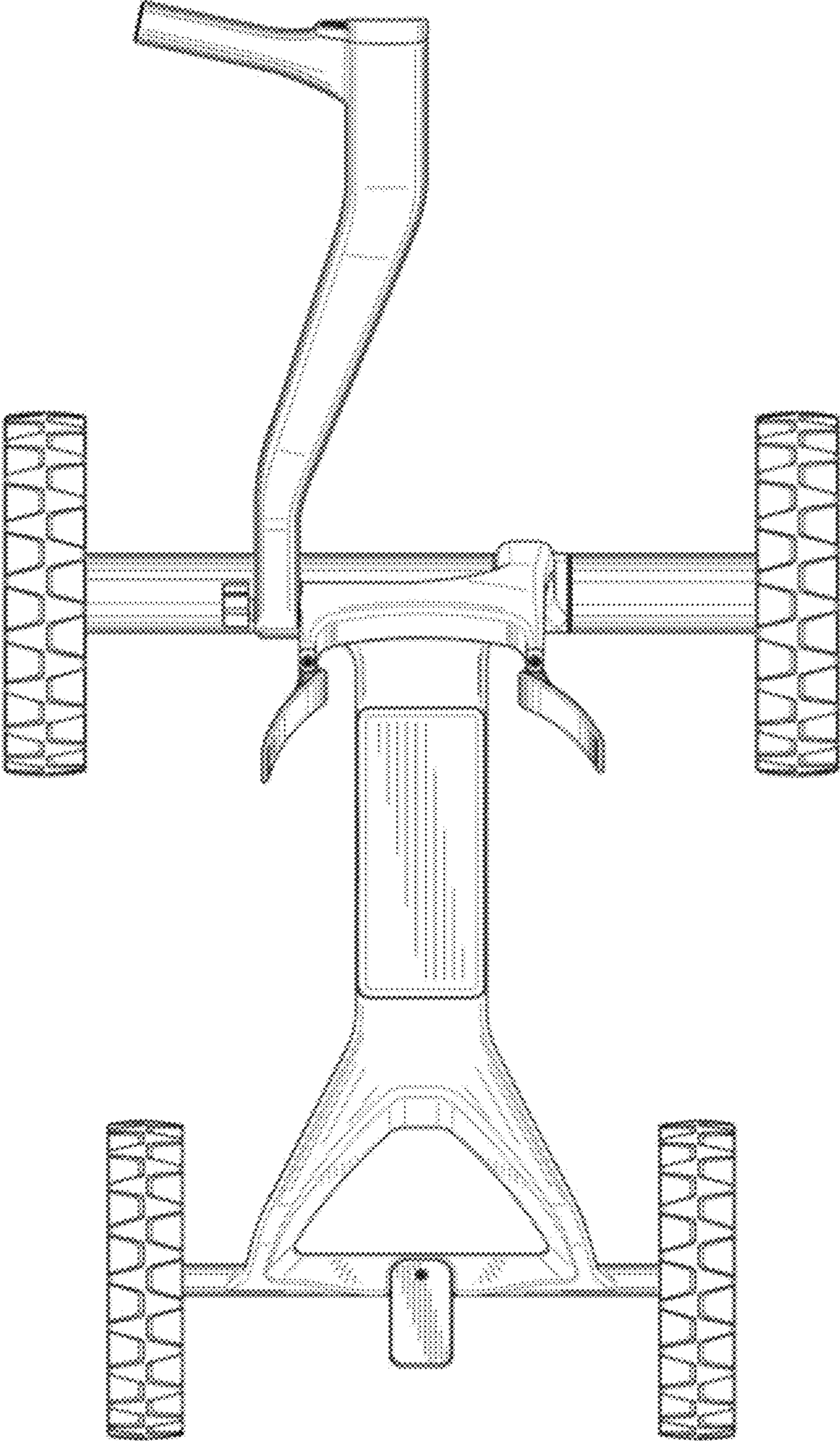
1.5



1.6



1.7



1.8

