



US00D865310S

(12) **United States Design Patent**
Baez

(10) **Patent No.:** **US D865,310 S**

(45) **Date of Patent:** **** Oct. 29, 2019**

(54) **TRAY SUPPORT RAILING**

(71) Applicant: **CAMBRO MANUFACTURING COMPANY**, Huntington Beach, CA (US)

(72) Inventor: **Jorge Baez**, Lake Forest, CA (US)

(73) Assignee: **Cambro Manufacturing Company**, Huntington Beach, CA (US)

(**) Term: **15 Years**

(21) Appl. No.: **29/627,427**

(22) Filed: **Nov. 27, 2017**

(51) **LOC (12) Cl.** **07-05**

(52) **U.S. Cl.**
USPC **D32/56**

(58) **Field of Classification Search**
USPC D32/55, 276, 3; D6/510, 525; D30/133; 211/41.5, 41.4, 41.3, 41.8; 361/679.4; 312/311, 333, 334.4; D7/354, 629
CPC A47J 47/20; A47J 2201/00; A47J 47/00; B65D 35/02; B65D 35/22; B65D 35/56
See application file for complete search history.

(56) **References Cited**

U.S. PATENT DOCUMENTS

1,889,146 A * 11/1932 Kalenoff A47L 19/04
211/41.3
D274,568 S * 7/1984 Carrothers D32/56

4,589,150 A * 5/1986 Sciabarassi A47L 19/02
108/24
D518,143 S * 3/2006 Weidler D23/209
D663,912 S * 7/2012 Le D32/55
D693,082 S * 11/2013 Evans D32/56
D696,829 S * 12/2013 Huang D32/55
D739,989 S * 9/2015 Baez D32/56
D755,460 S * 5/2016 Baez D32/56
D841,273 S * 2/2019 Baez D32/56

* cited by examiner

Primary Examiner — Austin Murphy

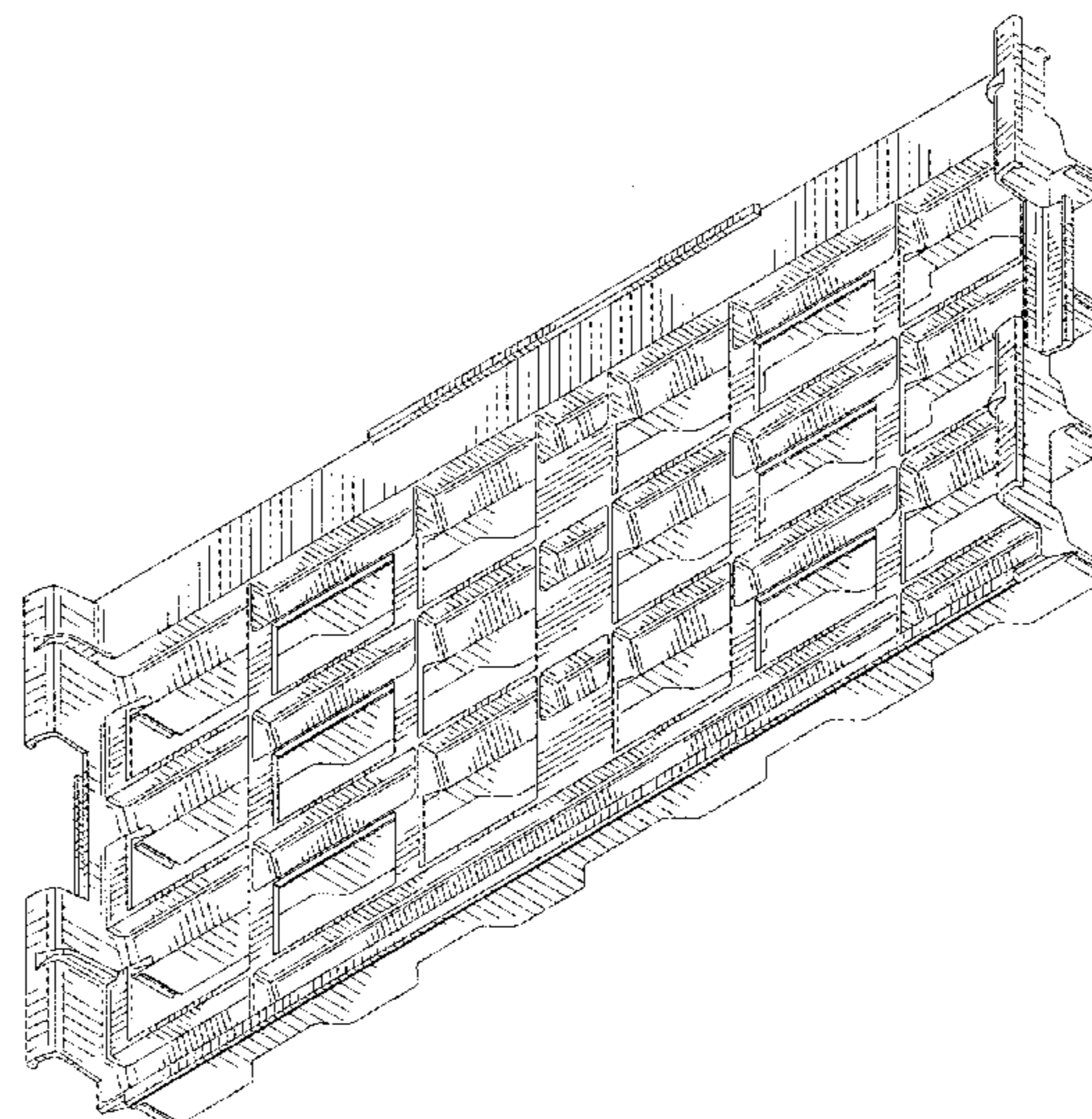
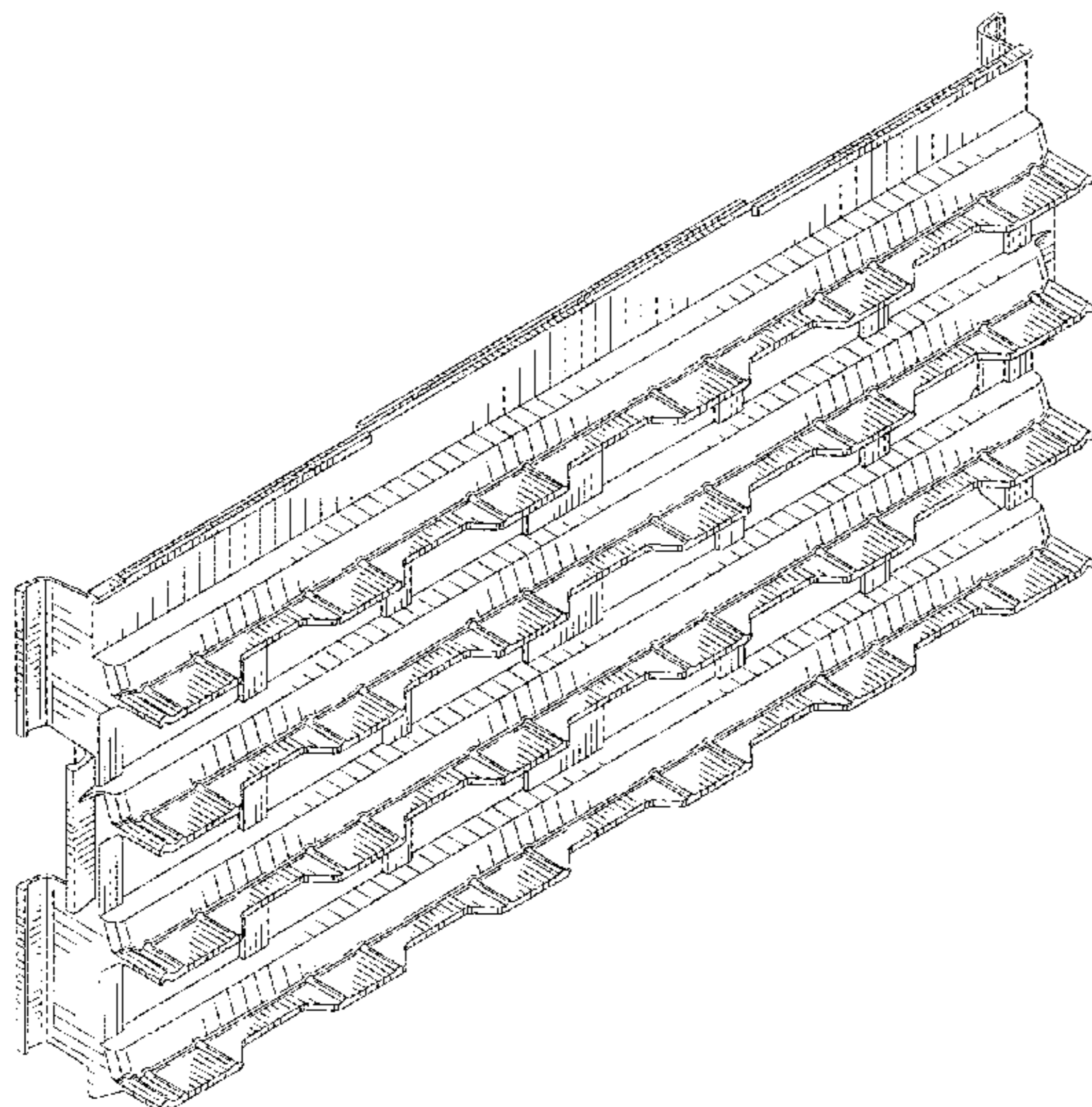
(57) **CLAIM**

I claim the ornamental design for a tray support railing, as shown and described.

DESCRIPTION

FIG. 1 is a front perspective view of the tray support railing. FIG. 2 is a front elevation view thereof. FIG. 3 is a top plan view thereof. FIG. 4 is a left side elevation view thereof. FIG. 5 is a right side elevation view thereof. FIG. 6 is a rear elevation view thereof. FIG. 7 is a bottom plan view thereof; and, FIG. 8 is a bottom perspective view thereof.

1 Claim, 5 Drawing Sheets



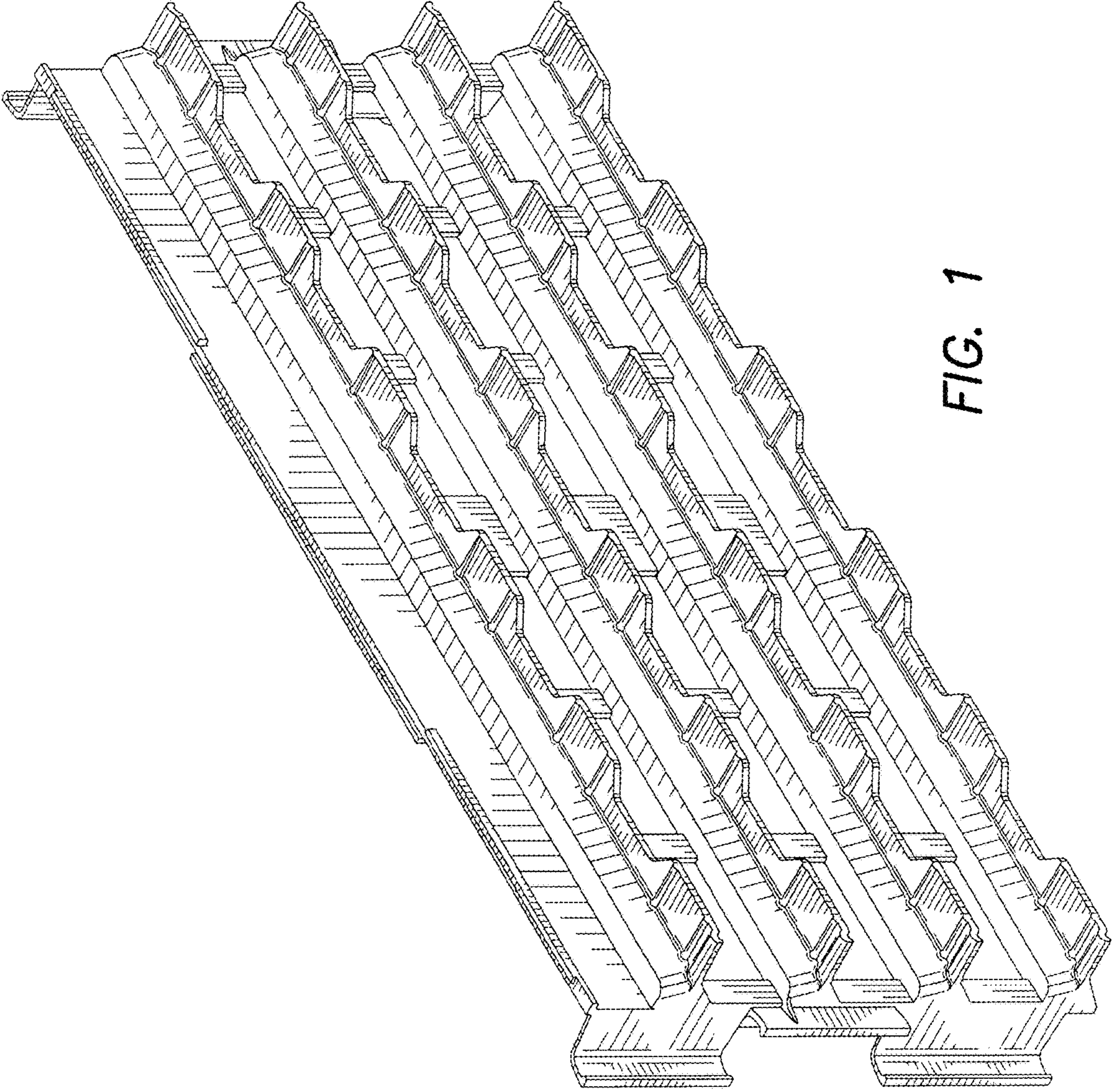


FIG. 1

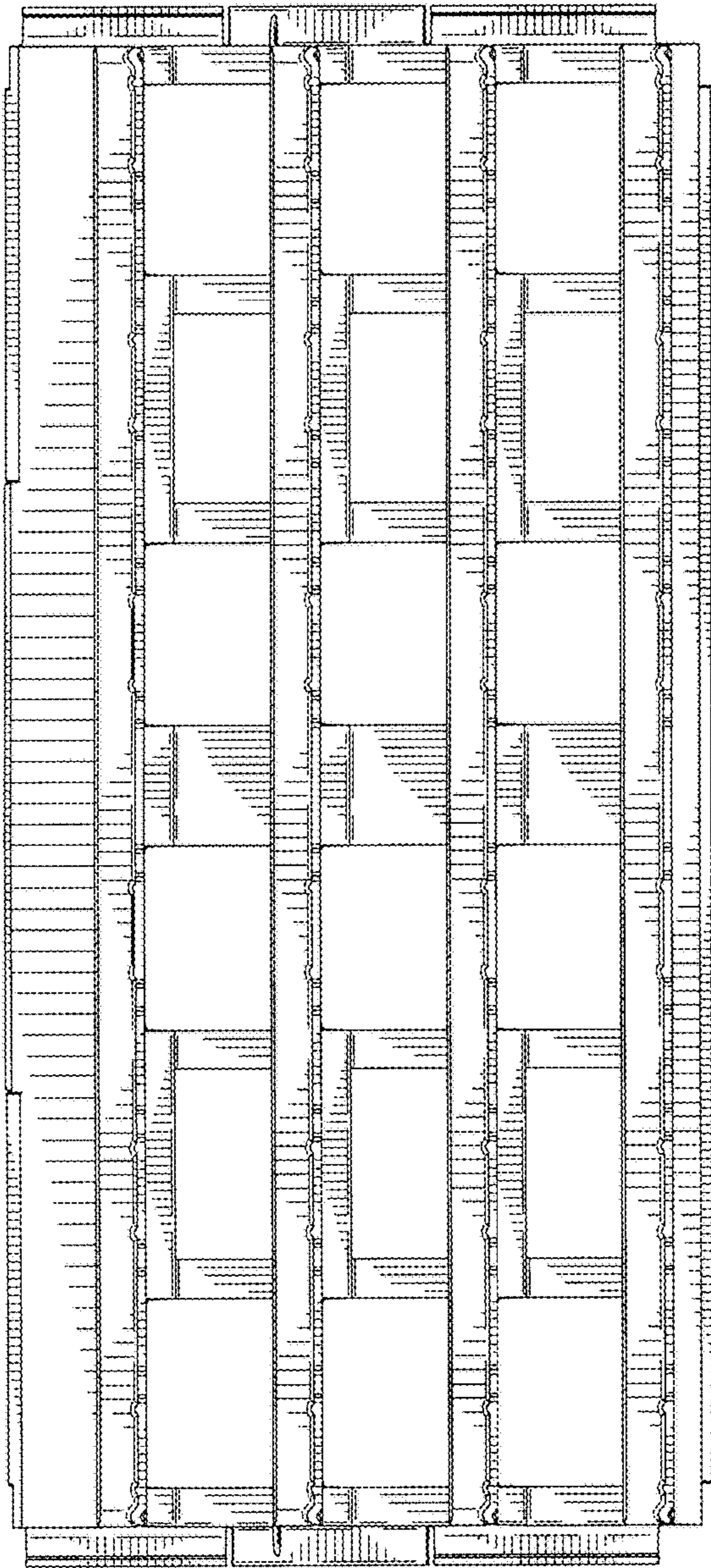


FIG. 2

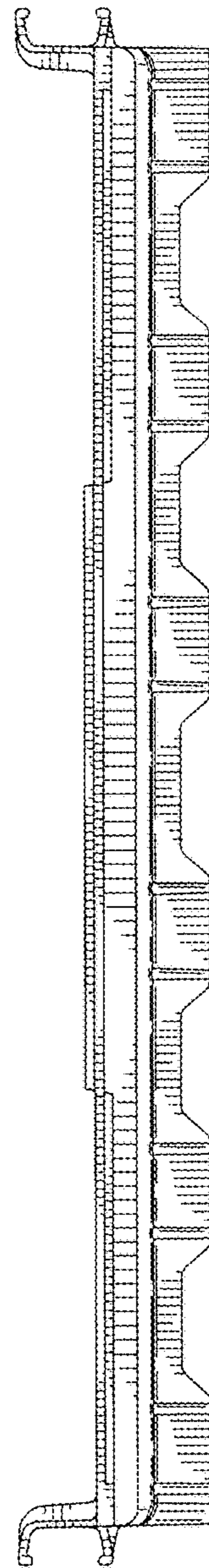


FIG. 3

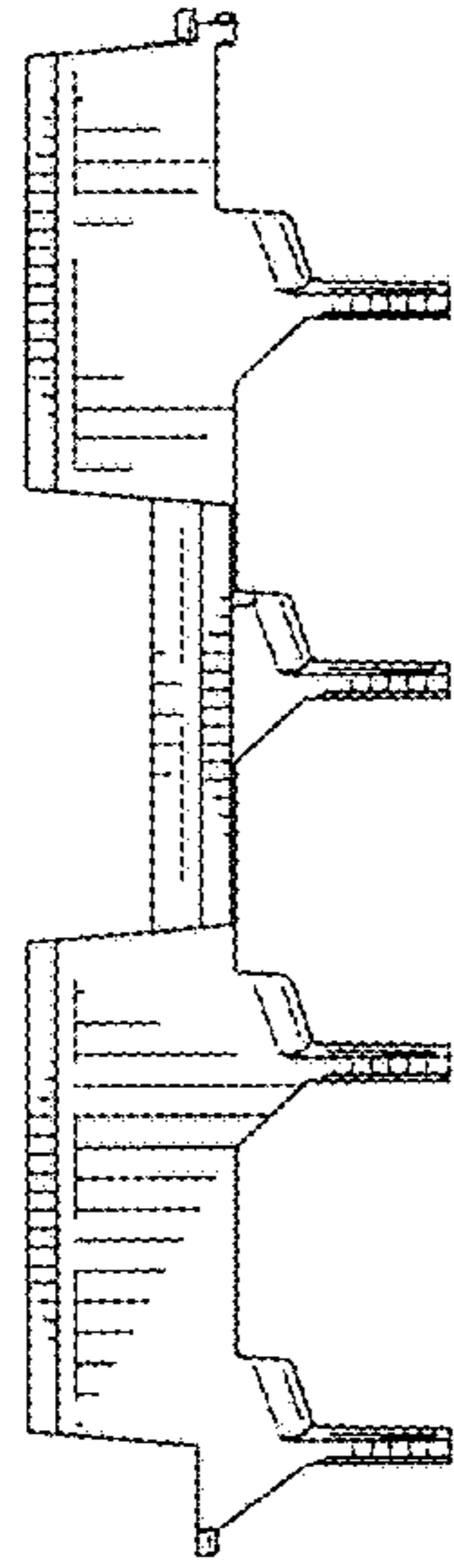


FIG. 4

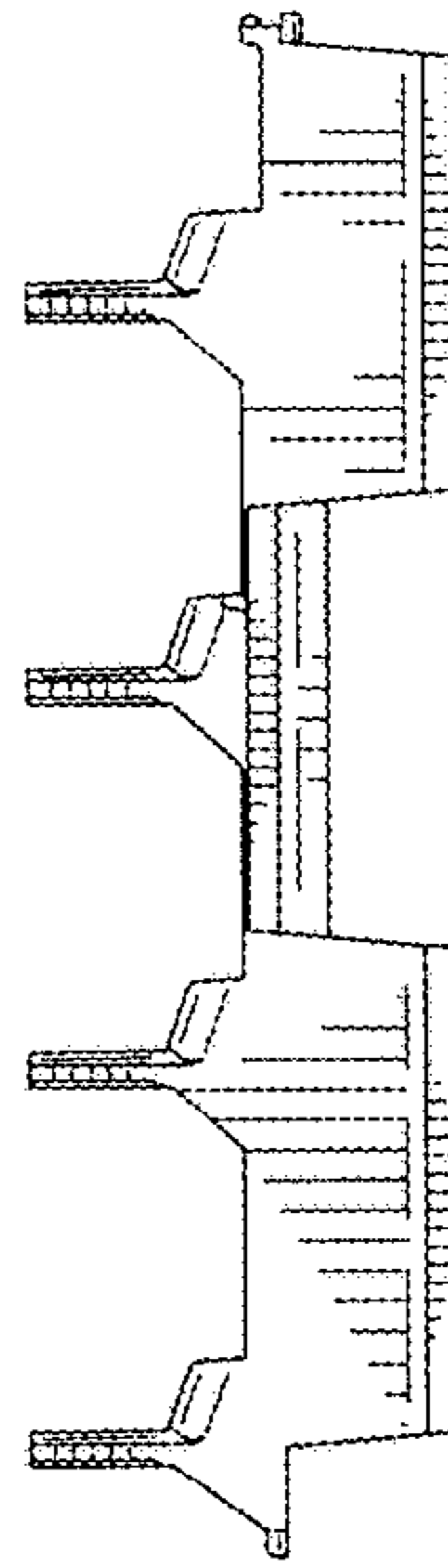


FIG. 5

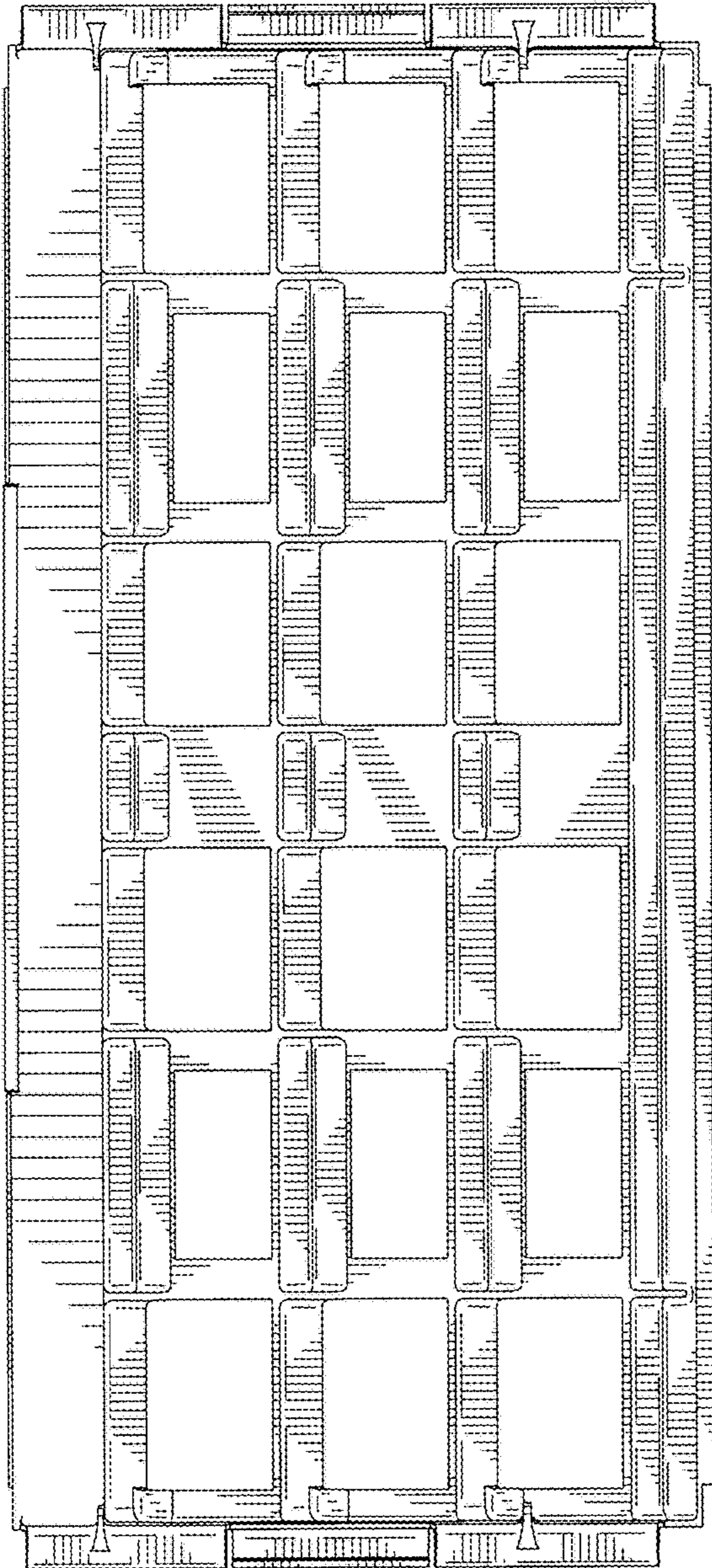


FIG. 6

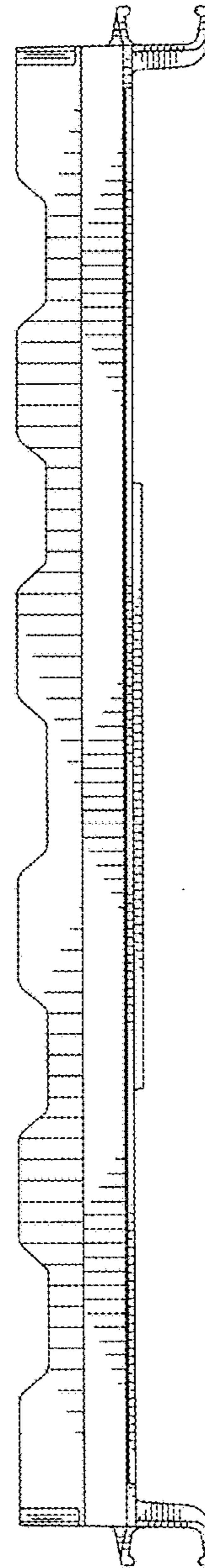


FIG. 7

