

US00D865309S

(12) **United States Design Patent**
Zheng

(10) **Patent No.:** **US D865,309 S**

(45) **Date of Patent:** **** Oct. 29, 2019**

- (54) **DOUBLE SIDED MOP**
- (71) Applicant: **Zhijian Zheng**, Zhejiang (CN)
- (72) Inventor: **Zhijian Zheng**, Zhejiang (CN)
- (73) Assignee: **Viatek Hong Kong Limited**,
Tsimshatsu, Kowloon (HK)
- (**) Term: **15 Years**
- (21) Appl. No.: **29/584,767**

- 5,722,112 A * 3/1998 Scanni A47L 5/24
15/344
- D482,530 S * 11/2003 Evans D32/50
- 6,675,427 B1 * 1/2004 Chiapelli A47L 13/12
15/118
- 6,772,468 B1 * 8/2004 Psik A47L 13/24
15/147.1
- 7,178,190 B2 * 2/2007 Jones A47L 13/11
15/106
- 7,441,301 B2 * 10/2008 Kresse A47L 13/20
15/228
- 8,336,154 B2 * 12/2012 Lin A47L 13/255
15/120.2

(Continued)

- (22) Filed: **Nov. 17, 2016**
- (51) **LOC (12) Cl.** **07-05**
- (52) **U.S. Cl.**
USPC **D32/50**
- (58) **Field of Classification Search**
USPC .. D32/50-53, 40, 45, 17-18, 21-22, 24-25;
D4/130-132, 134-135, 138, 199
CPC A47L 13/52; A47L 13/12; A47L 13/00;
A47L 13/20; A47L 13/24; A47L 13/22;
A46B 7/04; A46B 7/06; A46B 5/00;
B43M 11/02
See application file for complete search history.

FOREIGN PATENT DOCUMENTS

- JP D1423380 * 8/2011
- KR 300706018.0000 * 8/2013

OTHER PUBLICATIONS

PG Mall | Korean Double Sided Mop, website copyright 2016,
<https://pgmall.my/index.php/household/korean-double-sided-mop>, site
visited Aug. 6, 2018 (Year: 2016).*

Primary Examiner — John Windmuller
Assistant Examiner — John R Yeh
(74) *Attorney, Agent, or Firm* — Larry D. Johnson

(56) **References Cited**

U.S. PATENT DOCUMENTS

- 21,842 A * 10/1858 McClay A47L 13/12
15/115
- 439,744 A * 11/1890 Dean A47L 13/52
15/104.8
- 691,965 A * 1/1902 Ormsby A47L 13/52
15/257.2
- 1,351,638 A * 8/1920 Gentslinger A46B 3/08
15/178
- 4,850,072 A * 7/1989 Smith A47L 13/24
15/147.1
- D317,068 S * 5/1991 Bosworth D32/51
- D383,578 S * 9/1997 Ho D32/22
- 5,674,141 A * 10/1997 Laforest A63B 59/70
473/559

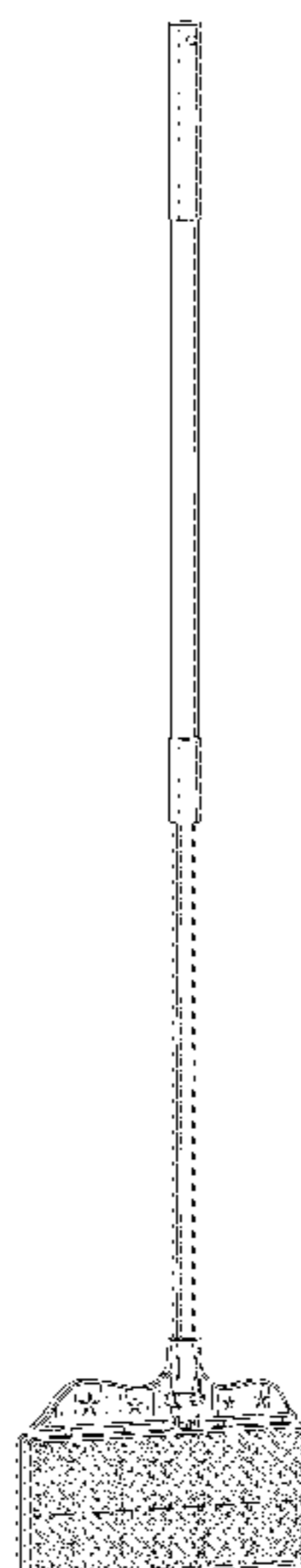
(57) **CLAIM**

The ornamental design for a double sided mop, as shown.

DESCRIPTION

FIG. 1 is a perspective view thereof;
FIG. 2 is a front elevation view thereof;
FIG. 3 is a rear elevation view thereof;
FIG. 4 is a right side elevation view thereof;
FIG. 5 is a left side elevation view thereof;
FIG. 6 is a top view thereof; and,
FIG. 7 is a bottom view thereof.

1 Claim, 4 Drawing Sheets



(56)

References Cited

U.S. PATENT DOCUMENTS

D699,412 S *	2/2014	Smith	D32/50
8,984,702 B2 *	3/2015	Pant	A46B 5/0058 15/105
D785,948 S *	5/2017	Weaver	D4/135
9,884,417 B2 *	2/2018	Li	A47L 13/254
10,016,054 B1 *	7/2018	Parasher	A47L 13/51
2006/0277704 A1 *	12/2006	Pineschi	A46B 7/023 15/105

* cited by examiner

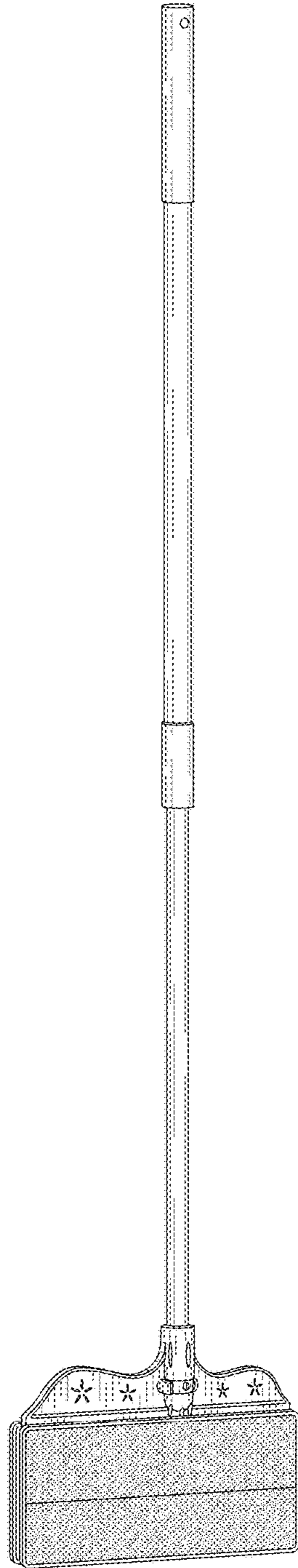


FIG. 1

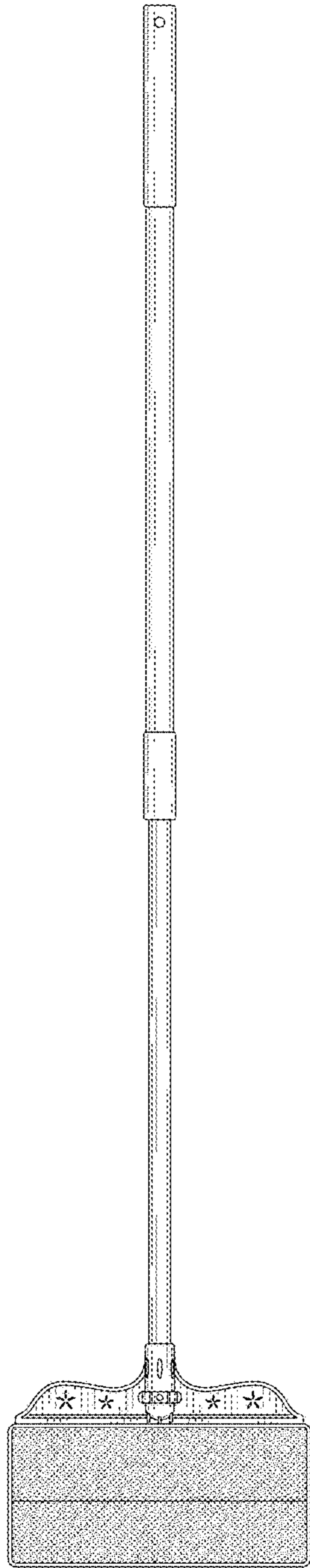


FIG. 2

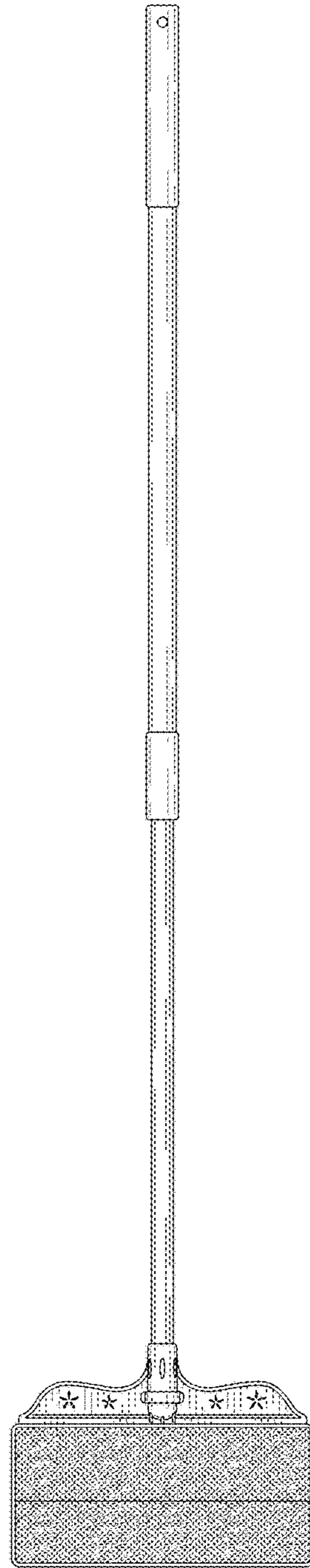


FIG. 3

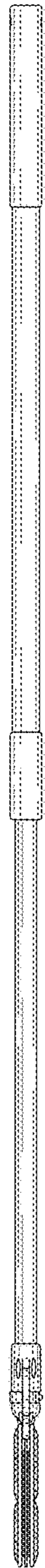


FIG. 4



FIG. 5



FIG. 6



FIG. 7