



US00D865306S

(12) **United States Design Patent**  
**Polonsky et al.**

(10) **Patent No.:** **US D865,306 S**

(45) **Date of Patent:** **\*\* Oct. 29, 2019**

(54) **LAUNDRY TREATING APPLIANCE DOOR**

(71) Applicant: **WHIRLPOOL CORPORATION**,  
Benton Harbor, MI (US)

(72) Inventors: **Daniel Polonsky**, Stevensville, MI  
(US); **Anna C. Schelling**, Stevensville,  
MI (US)

(73) Assignee: **Whirlpool Corporation**, Benton  
Harbor, MI (US)

(\*\*) Term: **15 Years**

(21) Appl. No.: **29/630,487**

(22) Filed: **Dec. 21, 2017**

(51) **LOC (12) Cl.** ..... **15-05**

(52) **U.S. Cl.**  
USPC ..... **D32/25; D32/6**

(58) **Field of Classification Search**  
USPC ..... D32/29.1, 29, 28, 6, 25, 8, 1, 5, 10;  
312/288; 248/638, 673  
CPC ..... D06F 39/045; D06F 25/00; D06F 39/022;  
D06F 33/02; D06F 2204/065; D06F  
35/006; D06F 39/12; D06F 39/00; D06F  
49/06; D06F 37/26; D06F 37/20; D06F  
31/00; A47L 15/4418; F16M 9/00  
See application file for complete search history.

(56) **References Cited**

**U.S. PATENT DOCUMENTS**

3,091,954	A	6/1963	Billings
3,699,785	A	10/1972	Waugh
3,757,543	A	9/1973	Braga
4,085,870	A	4/1978	Von Holdt
4,417,457	A	11/1983	Brenner
5,473,914	A	12/1995	Pyo
5,628,430	A	5/1997	Barbe
5,782,109	A	7/1998	Spriggs
6,109,480	A	8/2000	Monsrud
6,401,499	B1	6/2002	Clark

D517,262	S *	3/2006	Ha	.....	D32/25
D518,256	S *	3/2006	Kim	.....	D32/25
7,707,858	B2	5/2010	Jeon		
D618,871	S *	6/2010	DeSalvo	.....	D32/25
7,777,502	B2	8/2010	Grosser		
7,805,964	B2	10/2010	Park		
7,843,200	B2	11/2010	Klopfer		
8,056,374	B2	11/2011	Hoppe		
8,056,747	B2	11/2011	Vitan		

(Continued)

**FOREIGN PATENT DOCUMENTS**

AU	2008202222	AA	12/2008
BR	202013015525	U2	8/2015

(Continued)

**OTHER PUBLICATIONS**

Whirlpool Duet posted by View Points posted date review 2014, © ViewPoints, [online], [site visited Jun. 6, 2019]. Available from Internet, <http://www.viewpoints.com/Whirlpool-Duet-High-Efficiency-Front-Load-Washer-reviews> (Year: 2014).\*

*Primary Examiner* — Cynthia Ramirez

*Assistant Examiner* — Laura H Yu

(74) *Attorney, Agent, or Firm* — McGarry Bair PC

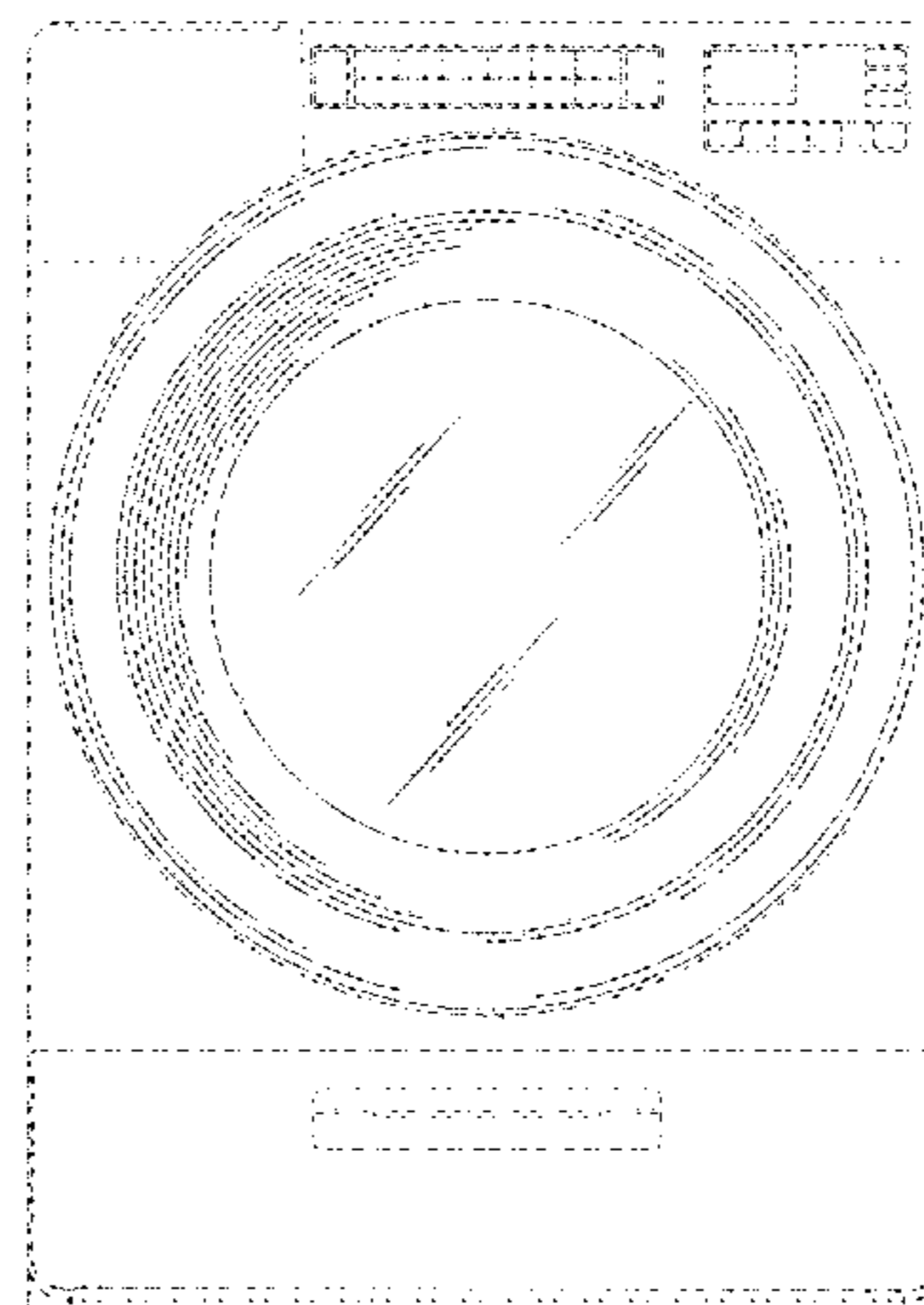
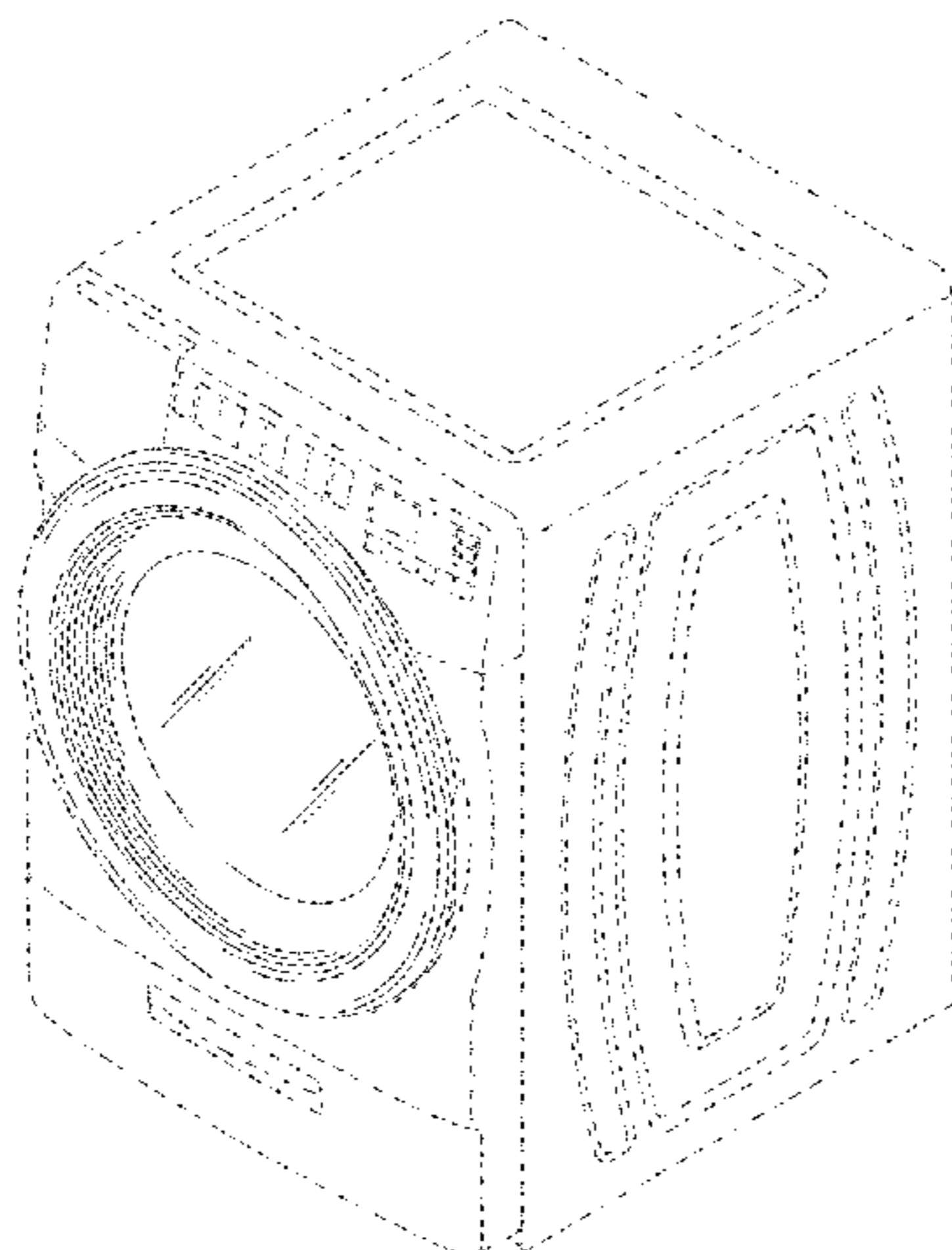
(57) **CLAIM**

The ornamental design for a laundry treating appliance door, as shown and described.

**DESCRIPTION**

FIG. 1 is a front perspective view of the laundry treating appliance door showing our new design; FIG. 2 is a front view thereof; and, FIG. 3 is a left side view thereof. The broken lines in the figures illustrate the environment of the laundry treating appliance door that form no part of the claimed design.

**1 Claim, 3 Drawing Sheets**



(56)

References Cited

U.S. PATENT DOCUMENTS

8,166,781 B2 5/2012 Lee  
 8,322,169 B2 12/2012 Kendall  
 D673,742 S 1/2013 Eng  
 8,368,805 B2 2/2013 Kim  
 D688,429 S \* 8/2013 Meda ..... D32/25  
 8,555,678 B2 10/2013 Lee et al.  
 8,584,492 B2 11/2013 Seo  
 8,931,310 B2 1/2015 Risen  
 8,931,667 B2 1/2015 Smith  
 D729,997 S \* 5/2015 Hwang ..... D32/6  
 D730,601 S \* 5/2015 Jinnam ..... D32/25  
 9,133,576 B2 9/2015 Lee  
 9,217,218 B2 12/2015 Kim  
 D758,681 S \* 6/2016 Park ..... D32/25  
 D773,132 S 11/2016 Ha  
 D773,133 S 11/2016 Ha  
 9,487,904 B2 11/2016 Kim  
 9,506,183 B2 11/2016 Del Pos  
 9,615,468 B2 4/2017 Moncrieff  
 9,663,886 B2 5/2017 Mackay  
 D817,570 S \* 5/2018 Kim ..... D32/25  
 D836,860 S \* 12/2018 Ha ..... D32/6  
 2006/0053842 A1 3/2006 Je  
 2008/0028802 A1 2/2008 Jordan  
 2009/0126123 A1 5/2009 Kim  
 2009/0288453 A1 11/2009 Lee  
 2010/0115709 A1 5/2010 Kim  
 2011/0030428 A1 2/2011 Han  
 2011/0174021 A1 7/2011 Lee  
 2012/0017381 A1 1/2012 Hong  
 2012/0144872 A1 6/2012 Kappler  
 2012/0174632 A1 7/2012 Sung  
 2013/0047680 A1 2/2013 Han  
 2013/0219972 A1 8/2013 Mora  
 2013/0277353 A1 10/2013 Joseph  
 2014/0041418 A1 2/2014 Lee et al.  
 2014/0076008 A1 3/2014 Jo  
 2014/0076009 A1 3/2014 Kim  
 2015/0059418 A1 3/2015 Lee  
 2015/0252513 A1 9/2015 Seo  
 2015/0252514 A1 9/2015 Seo  
 2015/0354126 A1 12/2015 Lee  
 2016/0010267 A1 1/2016 Kim  
 2016/0017531 A1 1/2016 Jo  
 2016/0017532 A1 1/2016 Jo  
 2016/0069012 A1 3/2016 Kim  
 2016/0186370 A1 6/2016 Kim  
 2016/0237613 A1 8/2016 Lee  
 2016/0355969 A1 12/2016 Kim  
 2017/0121890 A1 5/2017 Kwon

FOREIGN PATENT DOCUMENTS

CN 1746413 B 10/2010  
 CN 101298733 B 10/2010  
 CN 204509793 U 7/2015  
 CN 102345223 B 11/2015

CN 204939890 U 1/2016  
 CN 105671877 A 6/2016  
 CN 105803733 A 7/2016  
 DE 2424393 A1 12/1975  
 DE 8033429 U1 5/1982  
 DE 3242382 A1 5/1984  
 DE 3246127 A1 6/1984  
 DE 3247529 A1 6/1984  
 DE 102008041439 A1 2/2010  
 DE 102013102733 A1 9/2014  
 DE 202013012060 U1 3/2015  
 DE 202013012059 U1 4/2015  
 EP 0077463 A2 4/1983  
 EP 0096260 A1 12/1983  
 EP 0268451 A2 5/1988  
 EP 0379950 B1 8/1992  
 EP 0597513 A1 5/1994  
 EP 2251480 A1 11/2010  
 EP 2304091 A1 4/2011  
 EP 2405052 A1 1/2012  
 EP 2708633 A1 3/2014  
 EP 2708634 A1 3/2014  
 EP 2708635 A1 3/2014  
 EP 2719816 A1 4/2014  
 EP 2743393 A1 6/2014  
 EP 2784205 A1 10/2014  
 EP 2479335 B1 12/2014  
 EP 2857569 A1 4/2015  
 EP 2873764 A1 5/2015  
 EP 2894249 A1 7/2015  
 EP 2905369 A1 8/2015  
 EP 2994565 A1 3/2016  
 EP 1884584 B1 4/2016  
 EP 3056599 A1 8/2016  
 EP 3164537 A1 5/2017  
 FR 2244859 A1 4/1975  
 FR 2646674 A3 11/1990  
 GB 2134612 A1 8/1984  
 GB 2147613 A1 5/1985  
 GB 2214524 A1 9/1989  
 JP 63043698 A2 2/1988  
 JP 7227495 A2 8/1995  
 JP 10033888 A2 2/1998  
 JP 1553160 S 7/2016  
 JP 1553162 S 7/2016  
 KR 100556791 B1 3/2006  
 KR 20080092197 A 10/2008  
 KR 100873681 B1 12/2008  
 KR 20100066909 A 6/2010  
 KR 101481508 B1 1/2015  
 KR 101481520 B1 1/2015  
 KR 101482109 B1 1/2015  
 KR 20150025084 A 3/2015  
 KR 101590012 B1 2/2016  
 WO 15133796 A1 9/2015  
 WO 15133798 A1 9/2015  
 WO 15133799 A1 9/2015  
 WO 15167073 A1 11/2015  
 WO 16088912 A1 6/2016

\* cited by examiner

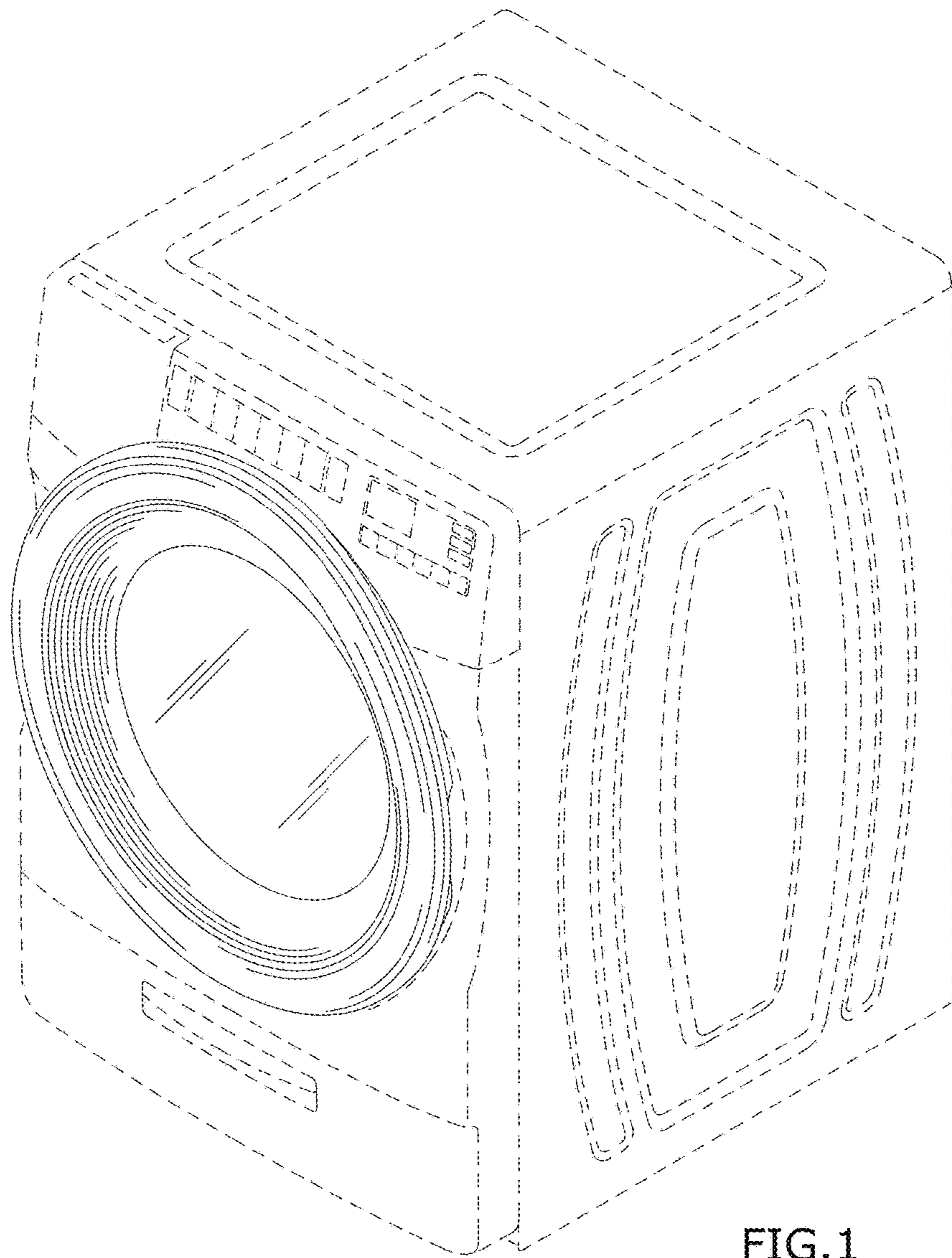


FIG. 1

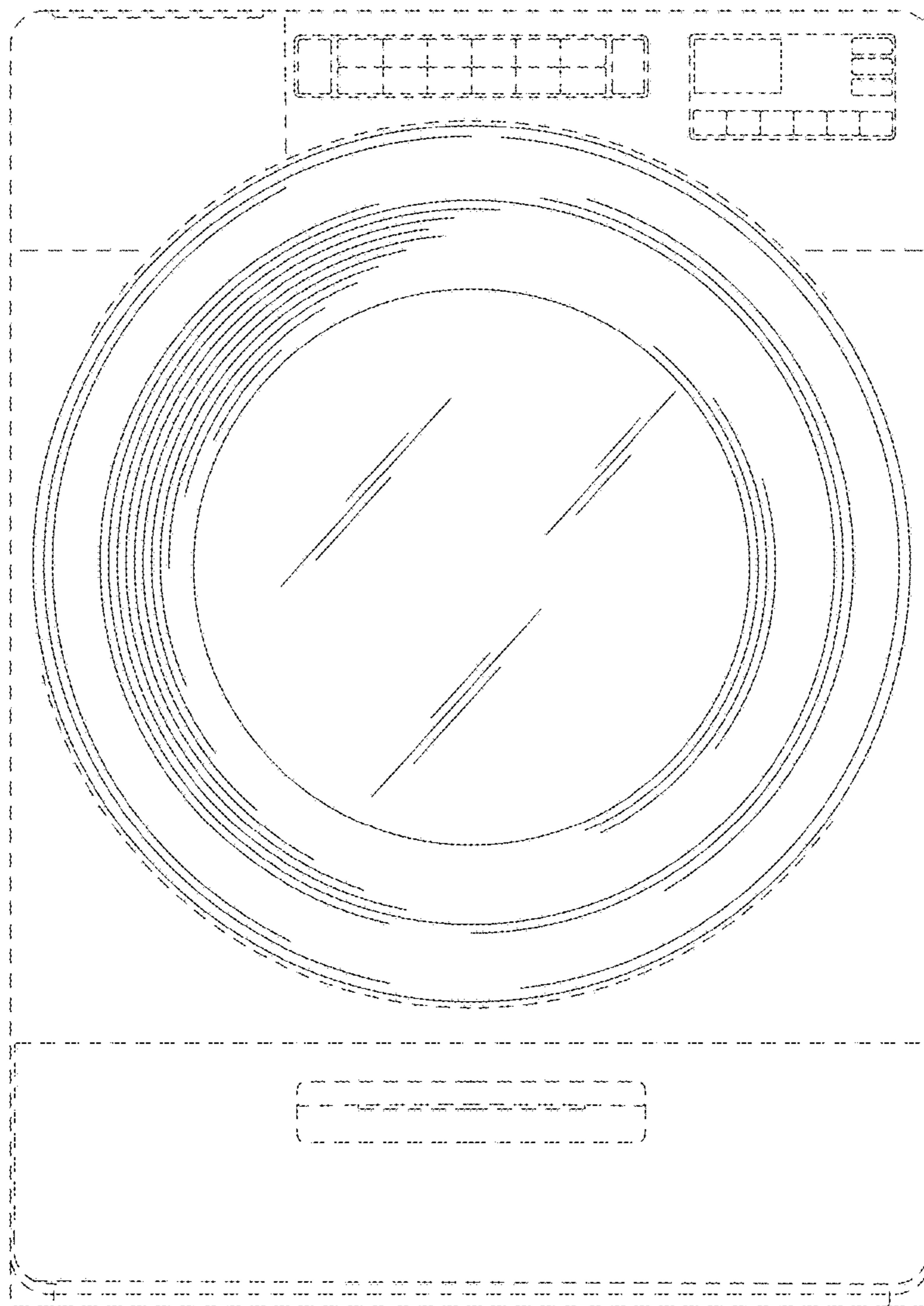


FIG.2

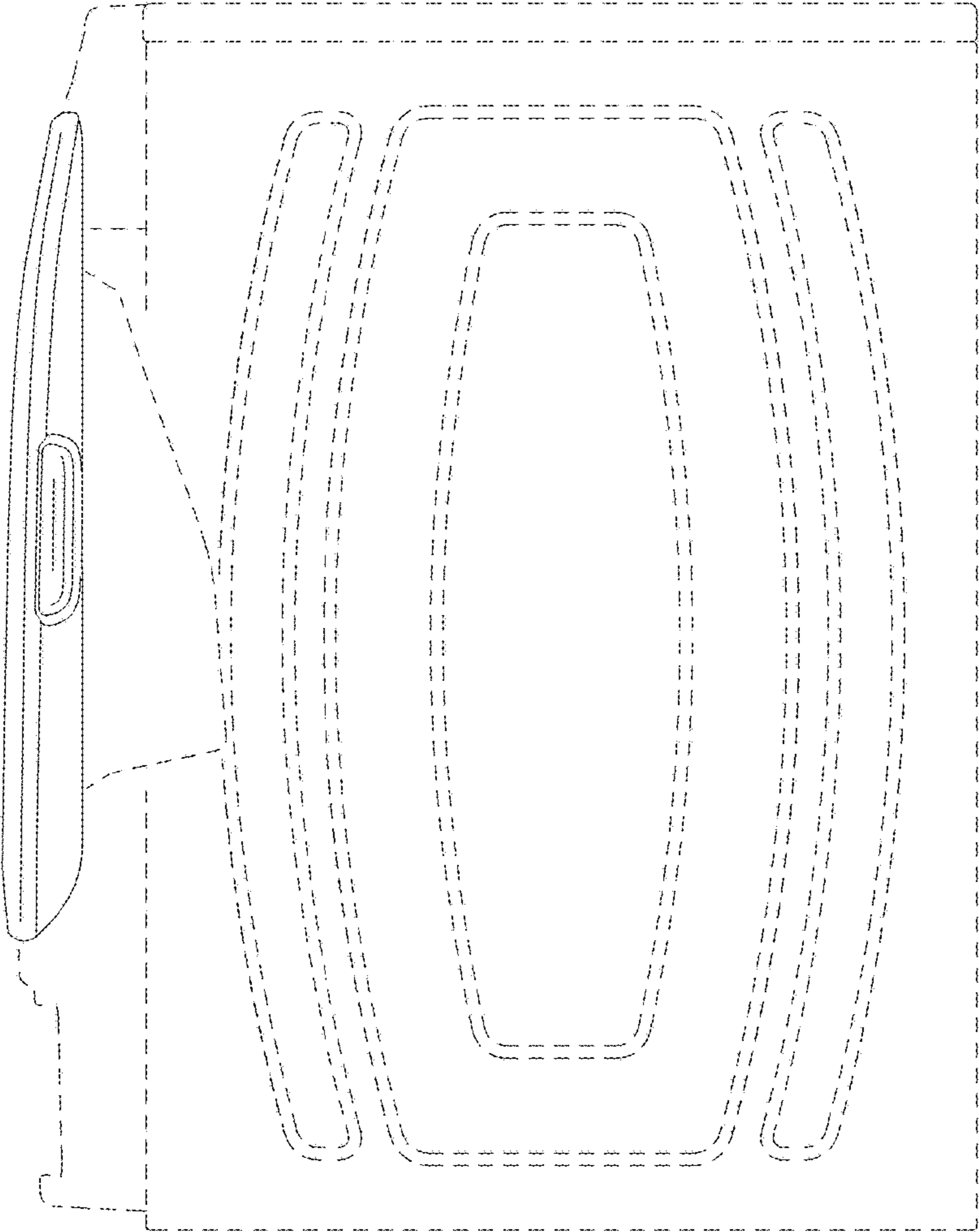


FIG. 3