



US00D865305S

(12) **United States Design Patent**
Wall et al.

(10) **Patent No.:** **US D865,305 S**
(45) **Date of Patent:** **** Oct. 29, 2019**

(54) **COMBINED WET/DRY VACUUM CLEANER**

(71) Applicant: **Emerson Electric Co.**, St. Louis, MO (US)

(72) Inventors: **Alex J. Wall**, St. Louis, MO (US);
Douglas C. Schultz, Glen Carbon, IL (US);
Phuong Le, St. Charles, MO (US)

(73) Assignee: **Emerson Electric Co.**, St. Louis, MO (US)

(**) Term: **15 Years**

(21) Appl. No.: **29/645,953**

(22) Filed: **Apr. 30, 2018**

(51) **LOC (12) Cl.** **15-05**

(52) **U.S. Cl.**
USPC **D32/21**

(58) **Field of Classification Search**
USPC D32/21-23, 31, 34
CPC . A47L 5/362; A47L 5/365; A47L 5/28; A47L 5/32;
A47L 5/36; A47L 7/0004; A47L 7/0038; A47L 11/29; A47L 11/30
See application file for complete search history.

(56) **References Cited**

U.S. PATENT DOCUMENTS

D286,336 S	*	10/1986	Berfield	D32/23
D361,179 S	*	8/1995	Moine	D32/23
D362,091 S		9/1995	Tomasiak et al.		
D418,643 S		1/2000	Hoshino		
D429,394 S	*	8/2000	Griffin	D32/31
D438,353 S		2/2001	Hoshino et al.		
D443,739 S		6/2001	Young et al.		
D445,549 S	*	7/2001	Griffin	D32/31
D447,609 S		9/2001	Hult et al.		
D479,023 S		8/2003	Holsten et al.		
D486,280 S	*	2/2004	Holsten	D32/23

D492,823 S	*	7/2004	Hoshino	D32/23
D492,824 S	*	7/2004	Tomasiak	D32/23
D494,327 S	*	8/2004	Song	D32/21
D519,251 S	*	4/2006	Hoshino	D32/23
D520,689 S		5/2006	Eccardt et al.		
D528,256 S		9/2006	Beth et al.		
D528,718 S		9/2006	Tomasiak et al.		
D537,992 S		3/2007	Hoshino		
D541,818 S		5/2007	Rhea et al.		
D549,903 S		8/2007	Eccardt et al.		
D551,681 S		9/2007	Rhea et al.		
D558,410 S		12/2007	Hill et al.		
D565,269 S		3/2008	Tomasiak et al.		
D577,164 S		9/2008	Williams et al.		

(Continued)

FOREIGN PATENT DOCUMENTS

CA	ID87833 S	10/1999
CA	ID89522 S	5/2000

(Continued)

Primary Examiner — Ruth McInroy

(74) *Attorney, Agent, or Firm* — Armstrong Teasdale LLP

(57) **CLAIM**

We claim the ornamental design for a combined wet/dry vacuum cleaner, as shown and described.

DESCRIPTION

FIG. 1 is a front perspective view of a combined wet/dry vacuum cleaner showing the new design.

FIG. 2 is a front view thereof.

FIG. 3 is a rear view thereof.

FIG. 4 is a right side view thereof.

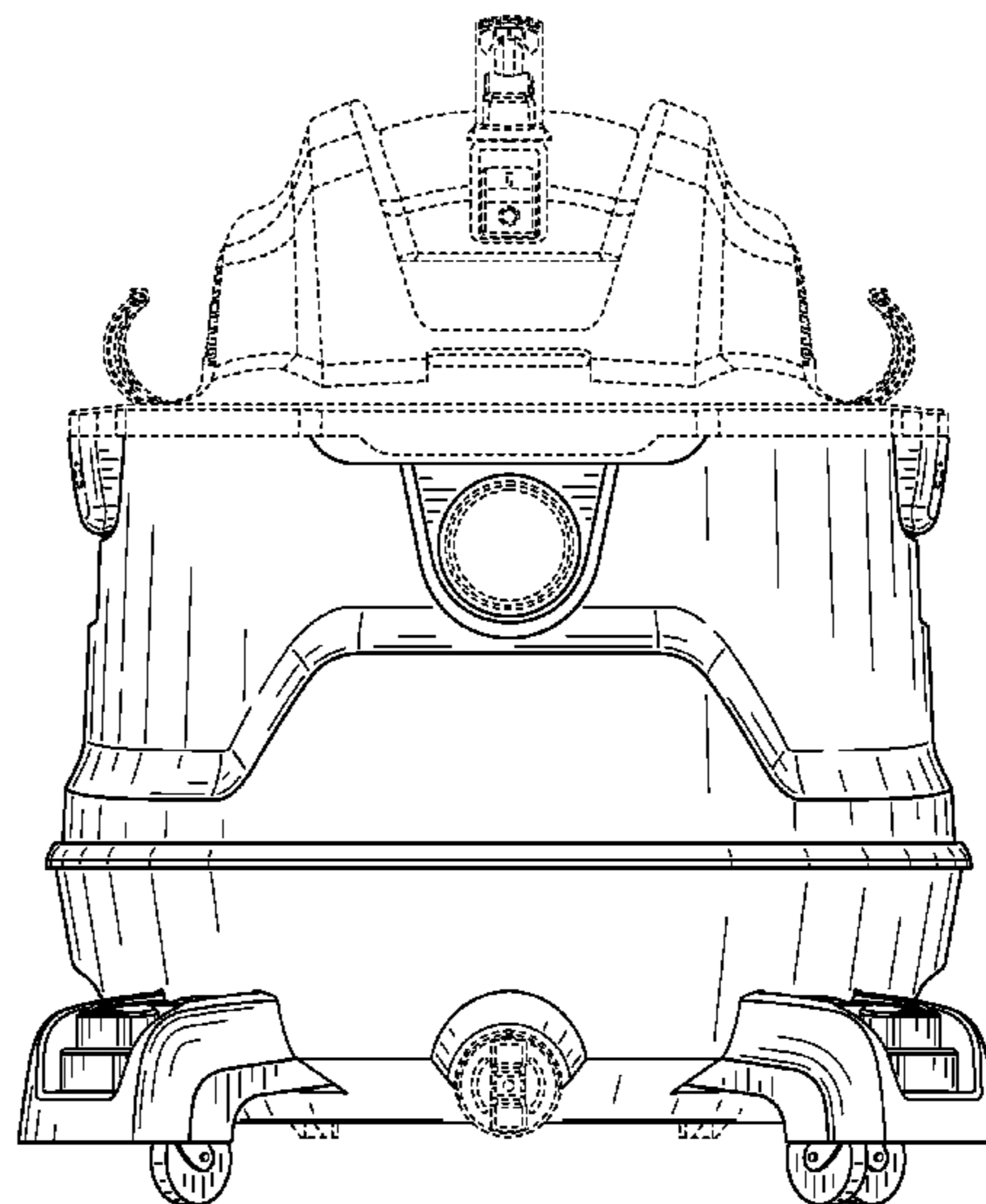
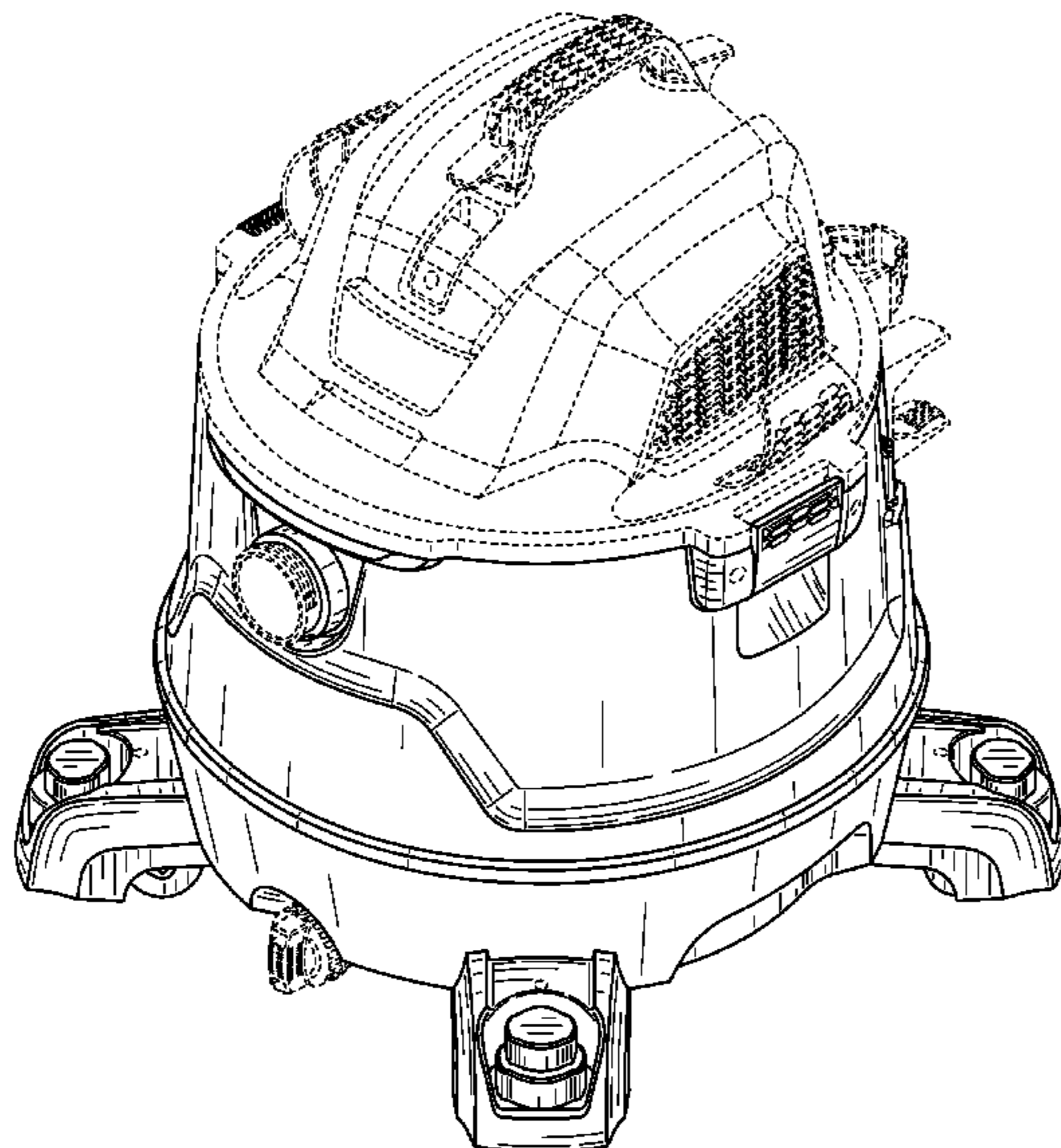
FIG. 5 is a left side view thereof.

FIG. 6 is a top view thereof; and,

FIG. 7 is a bottom view thereof.

The details shown in broken lines form no part of the claimed design.

1 Claim, 7 Drawing Sheets



(56)

References Cited

U.S. PATENT DOCUMENTS

D580,115	S	11/2008	Theising et al.	
D595,910	S	7/2009	Hollis et al.	
D596,359	S	7/2009	Hollis et al.	
D614,369	S	4/2010	Theising et al.	
D615,259	S *	5/2010	Theising	D32/31
D617,514	S	6/2010	Hollis et al.	
D618,870	S	6/2010	Williams et al.	
D634,494	S	3/2011	Theising et al.	
D647,260	S	10/2011	Hollis et al.	
D647,261	S	10/2011	Schultz et al.	
D657,101	S	4/2012	Williams et al.	
D666,369	S	8/2012	Williams et al.	
D669,646	S	10/2012	Theising et al.	
D670,046	S	10/2012	Theising et al.	
D670,048	S	10/2012	Theising et al.	
D676,205	S	2/2013	Theising et al.	
D740,504	S	10/2015	Williams et al.	
D743,655	S	11/2015	Holsten et al.	
9,192,270	B2 *	11/2015	Westbrook	A47L 7/0038
9,468,345	B2 *	10/2016	Zhu	A47L 5/365
9,492,047	B2 *	11/2016	Marsden	A47L 5/365
9,668,625	B2 *	6/2017	Wolford	A47L 5/14
10,092,148	B2 *	10/2018	Gierer	A47L 5/22

FOREIGN PATENT DOCUMENTS

CA	ID89523	S	5/2000
CA	ID90731	S	10/2000

* cited by examiner

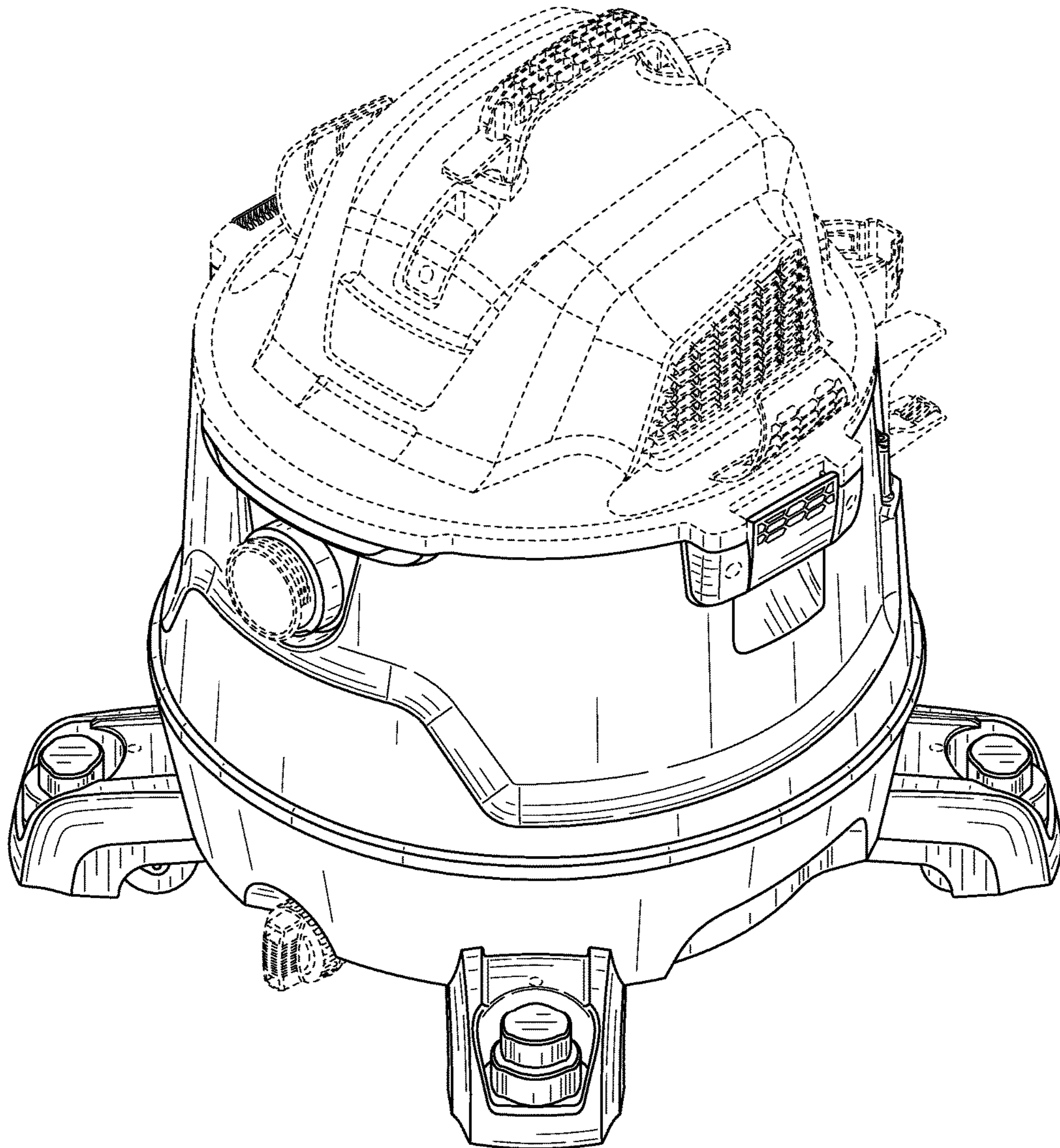


FIG. 1

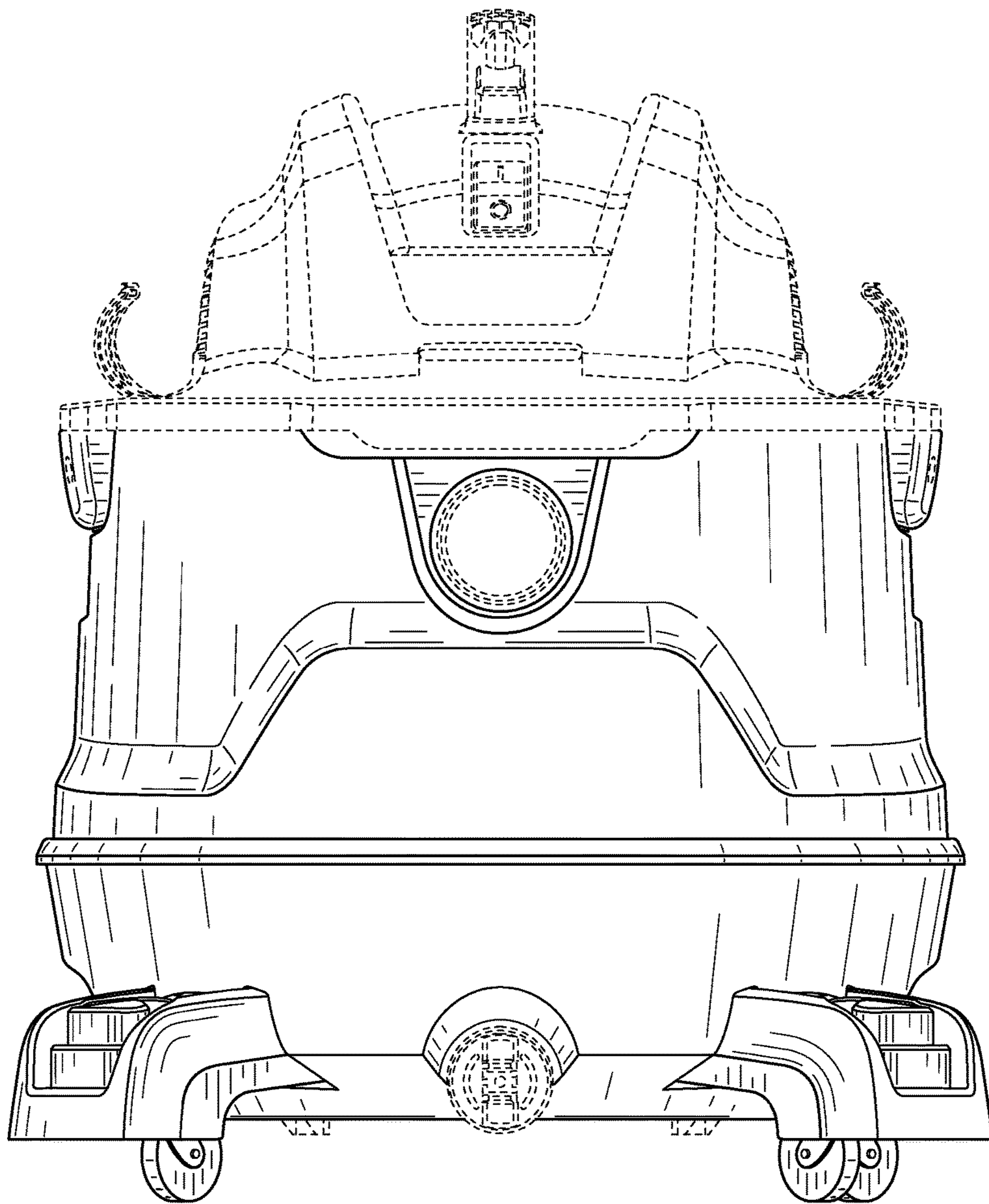


FIG. 2

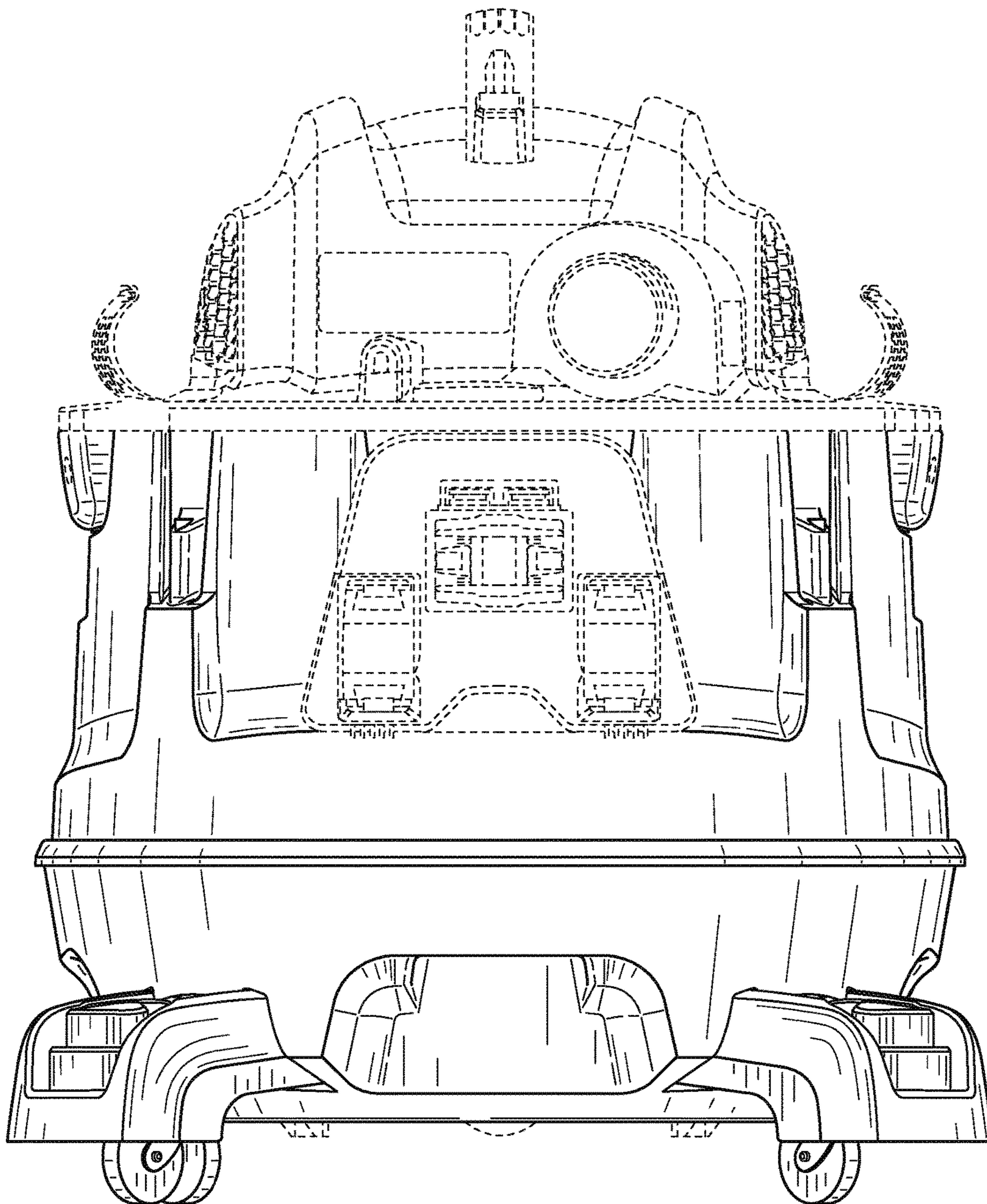


FIG. 3

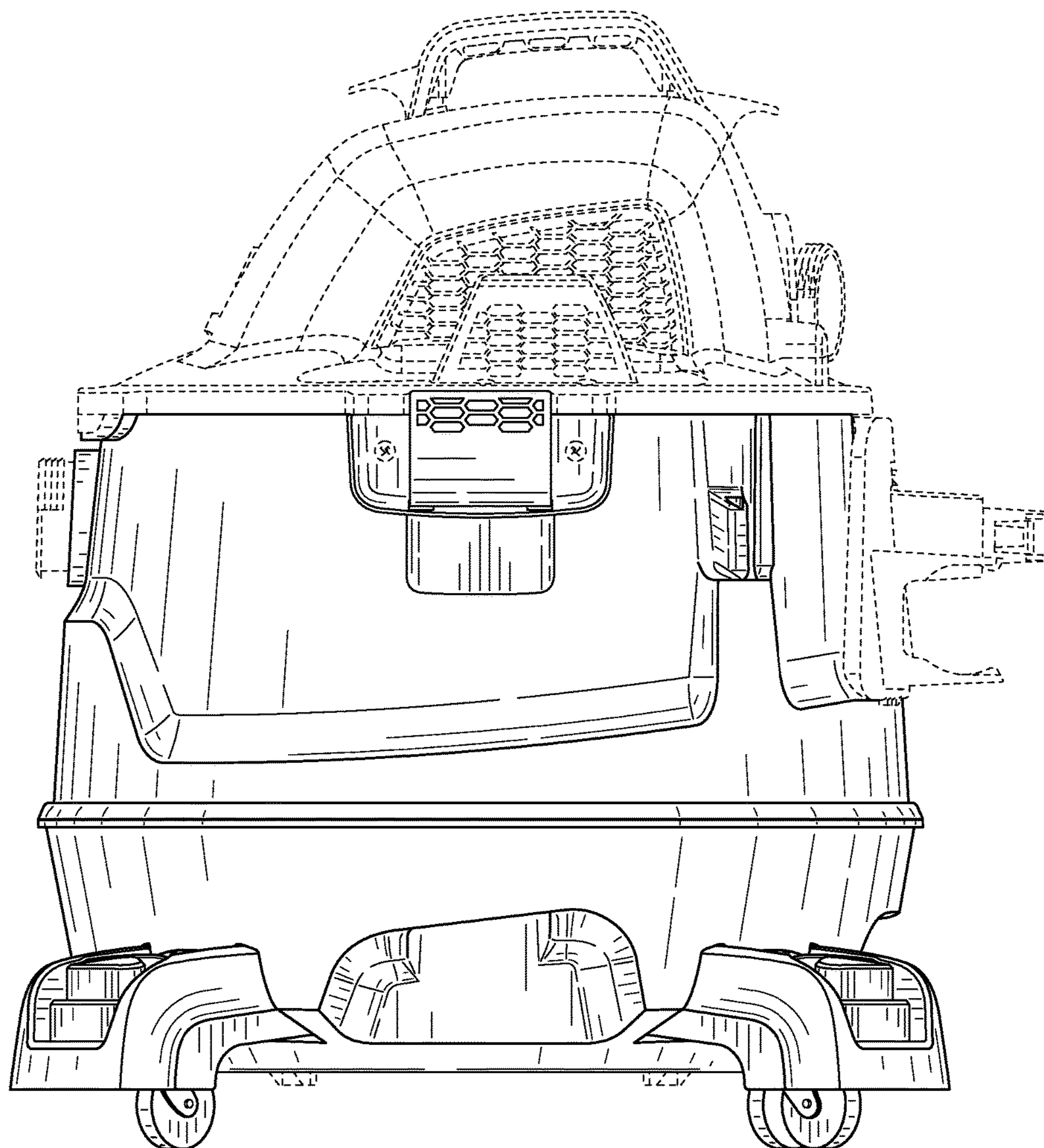


FIG. 4

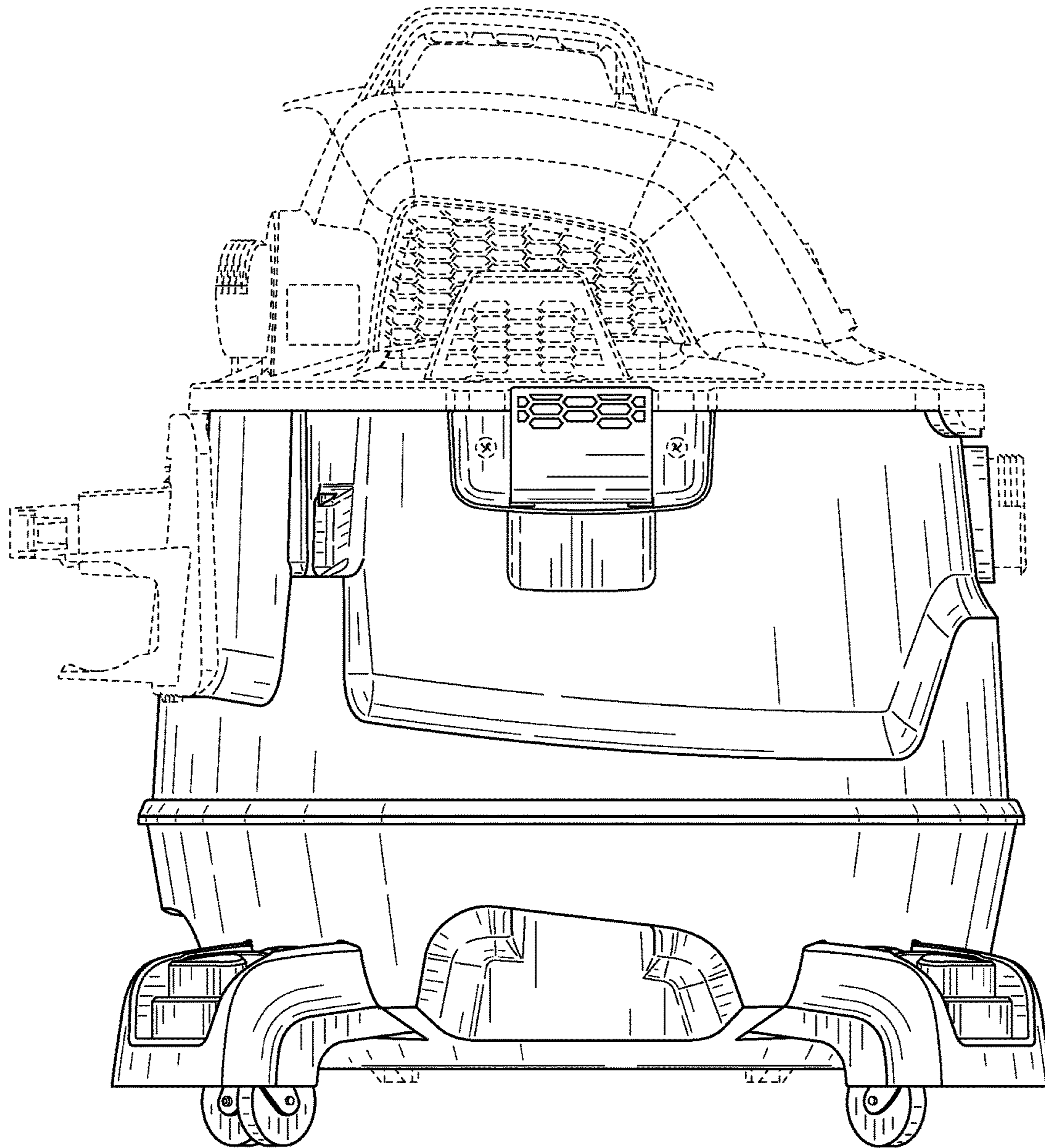


FIG. 5

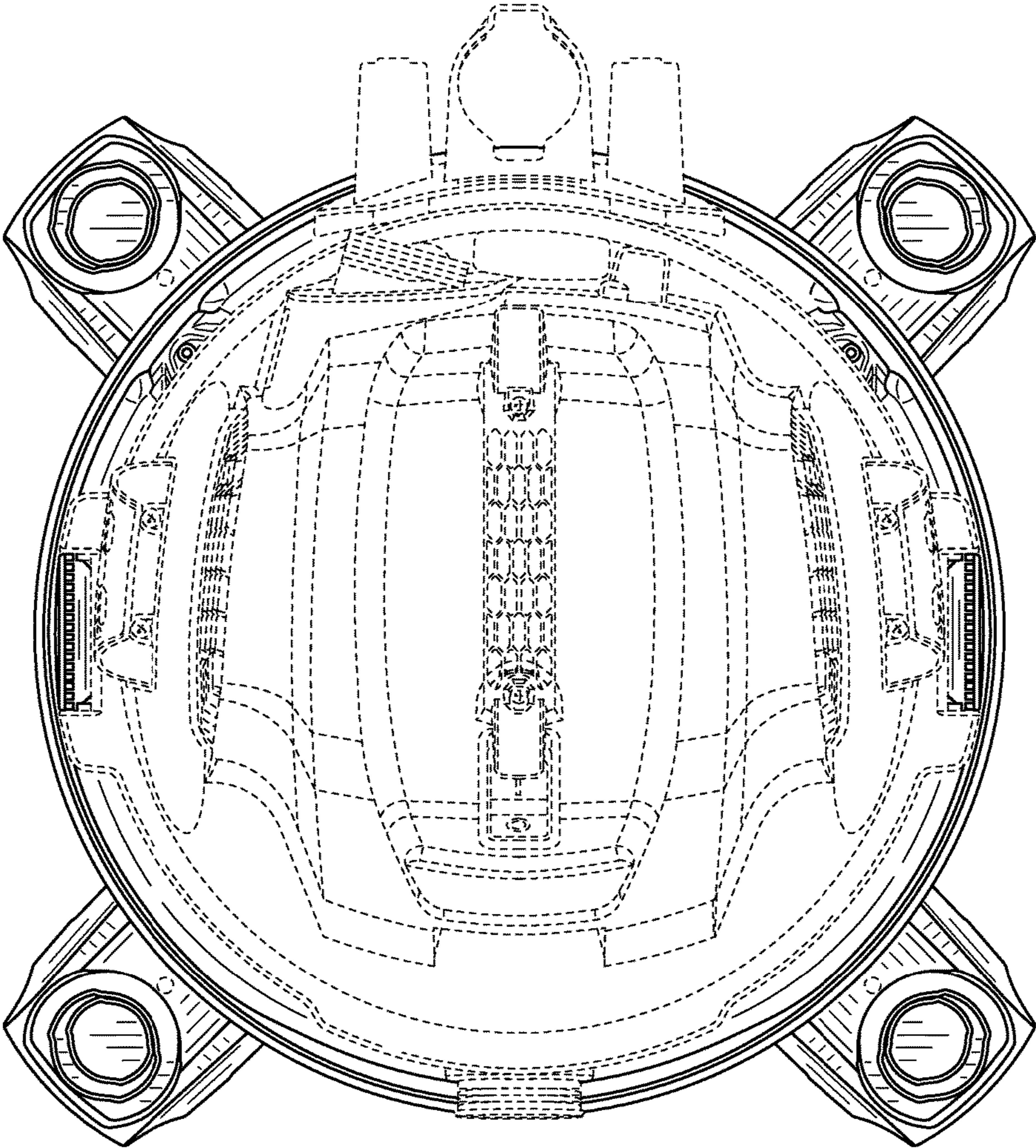


FIG. 6

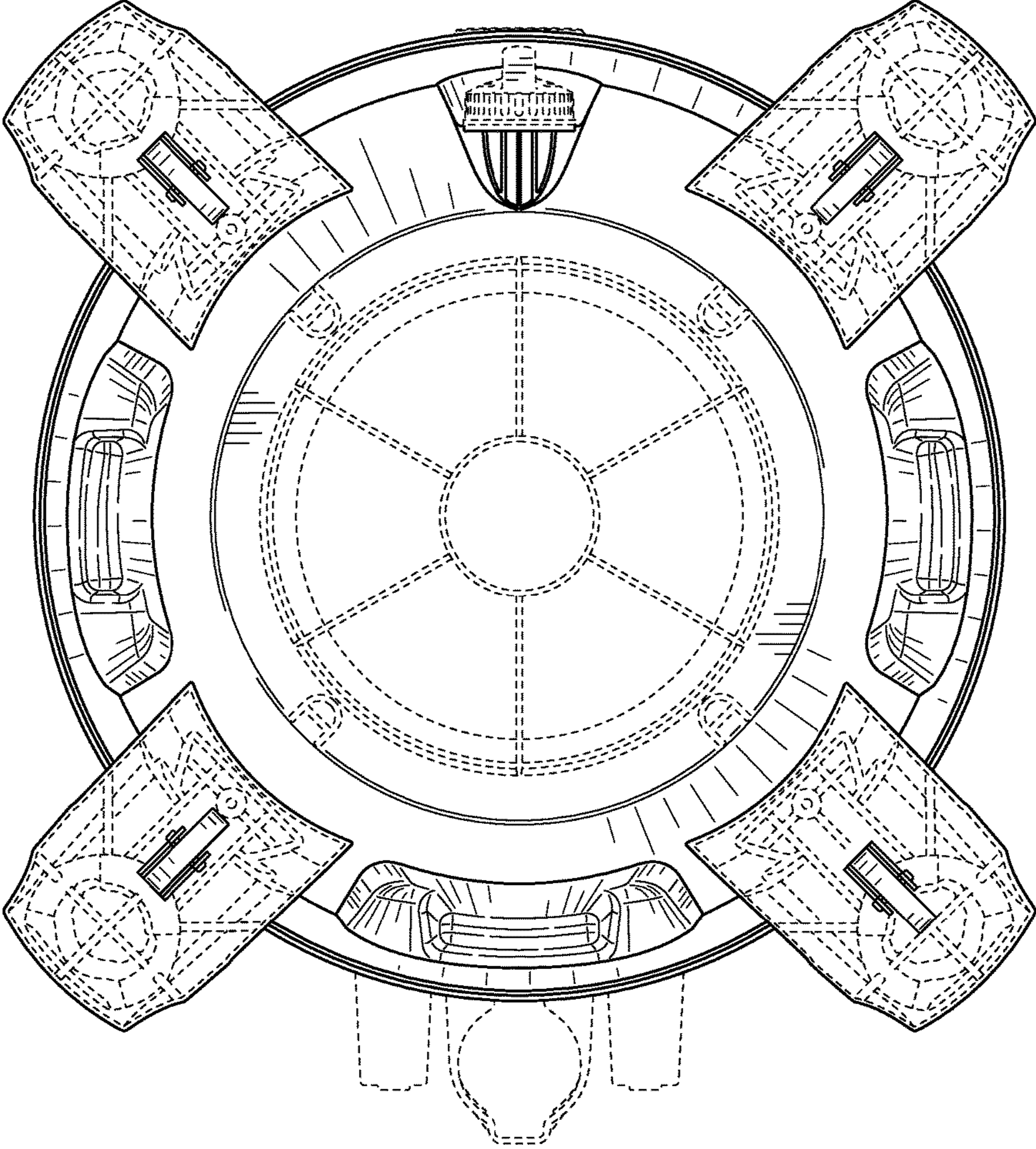


FIG. 7

UNITED STATES PATENT AND TRADEMARK OFFICE
CERTIFICATE OF CORRECTION

PATENT NO. : D865,305 S
APPLICATION NO. : 29/645953
DATED : October 29, 2019
INVENTOR(S) : Alex J. Wall et al.

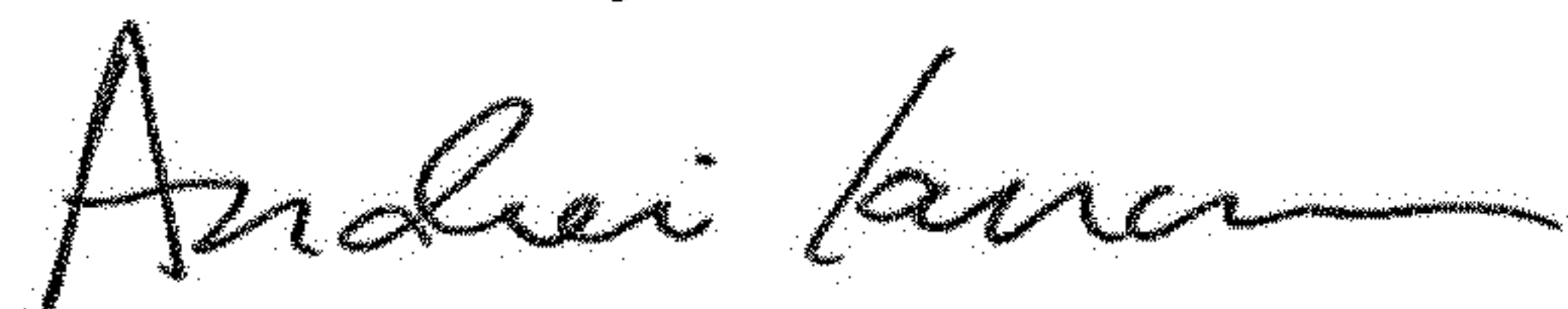
Page 1 of 1

It is certified that error appears in the above-identified patent and that said Letters Patent is hereby corrected as shown below:

On the Title Page

Items [54] and [57], delete "Combined".

Signed and Sealed this
Third Day of March, 2020



Andrei Iancu
Director of the United States Patent and Trademark Office