



US00D865304S

(12) **United States Design Patent**  
**Sugie et al.**

(10) **Patent No.:** **US D865,304 S**

(45) **Date of Patent:** **\*\* Oct. 29, 2019**

(54) **VACUUM CLEANER**

(71) Applicant: **Panasonic Intellectual Property Management Co., Ltd., Osaka (JP)**

(72) Inventors: **Sho Sugie, Kyoto (JP); Kazuma Uematsu, Kyoto (JP); Kazuaki Ohara, Osaka (JP)**

(73) Assignee: **Panasonic Intellectual Property Management Co., Ltd., Osaka (JP)**

(\*\*) Term: **15 Years**

(21) Appl. No.: **29/638,347**

(22) Filed: **Feb. 27, 2018**

(30) **Foreign Application Priority Data**

Sep. 6, 2017 (JP) ..... 2017-019260

(51) **LOC (12) Cl.** ..... **15-05**

(52) **U.S. Cl.**  
USPC ..... **D32/18**

(58) **Field of Classification Search**  
USPC ..... D32/17, 18, 22, 31  
CPC ... A47L 5/24; A47L 5/362; A47L 5/36; A47L 5/28; A47L 9/102; A47L 9/1683; B01D 50/002  
See application file for complete search history.

(56) **References Cited**

**U.S. PATENT DOCUMENTS**

D401,021 S \* 11/1998 Stephens ..... D32/18  
D569,059 S \* 5/2008 Stratford ..... D32/18

D569,060 S \* 5/2008 Stratford ..... D32/18  
D579,161 S \* 10/2008 Crawley ..... D32/18  
D608,063 S \* 1/2010 Okuda ..... D32/18  
D608,511 S \* 1/2010 Okuda ..... D32/18  
D660,527 S \* 5/2012 Kawase ..... D32/18  
D720,102 S \* 12/2014 Gu ..... D32/18  
D834,773 S \* 11/2018 Crawley ..... D32/18  
D844,266 S \* 3/2019 Wang ..... D32/18

**FOREIGN PATENT DOCUMENTS**

JP D1409620 3/2011

\* cited by examiner

*Primary Examiner* — Ruth McInroy

(74) *Attorney, Agent, or Firm* — Panasonic IP Management; Kerry S. Culpepper

(57) **CLAIM**

We claim the ornamental design for a vacuum cleaner, as shown and described.

**DESCRIPTION**

FIG. 1 is a front perspective view of a vacuum cleaner of the present invention;  
FIG. 2 is a front view thereof;  
FIG. 3 is a rear view thereof;  
FIG. 4 is a first side view thereof;  
FIG. 5 is a second side view thereof;  
FIG. 6 is a top view thereof; and,  
FIG. 7 is a bottom view thereof.

**1 Claim, 7 Drawing Sheets**

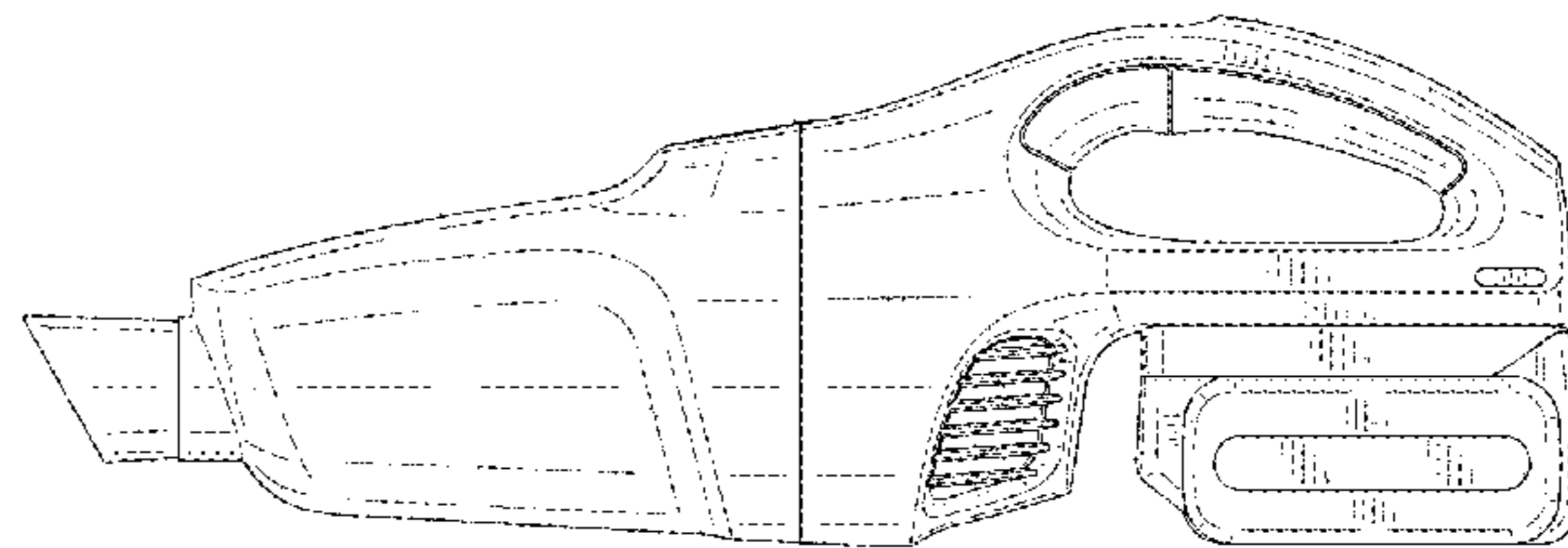
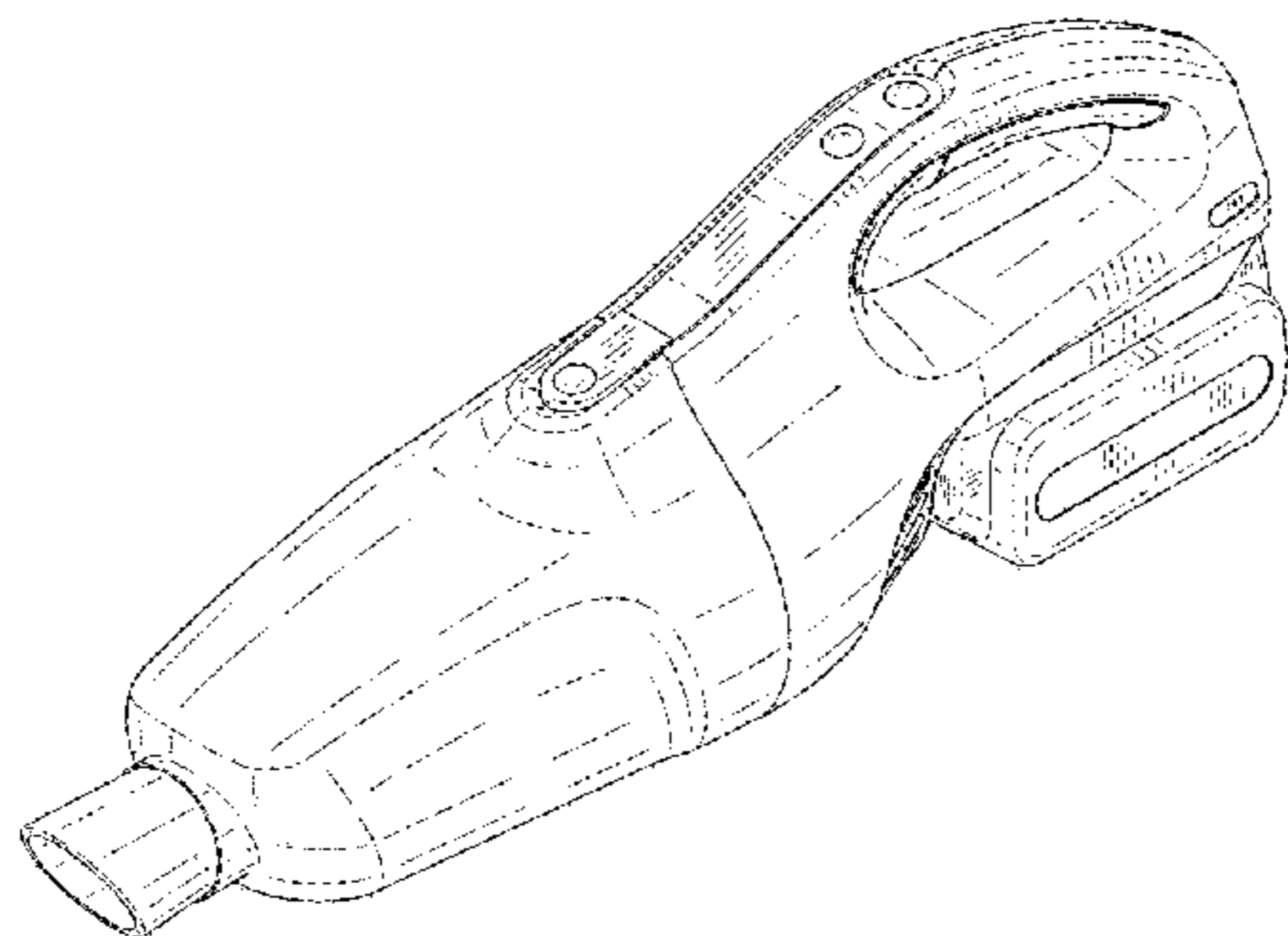


FIG. 1

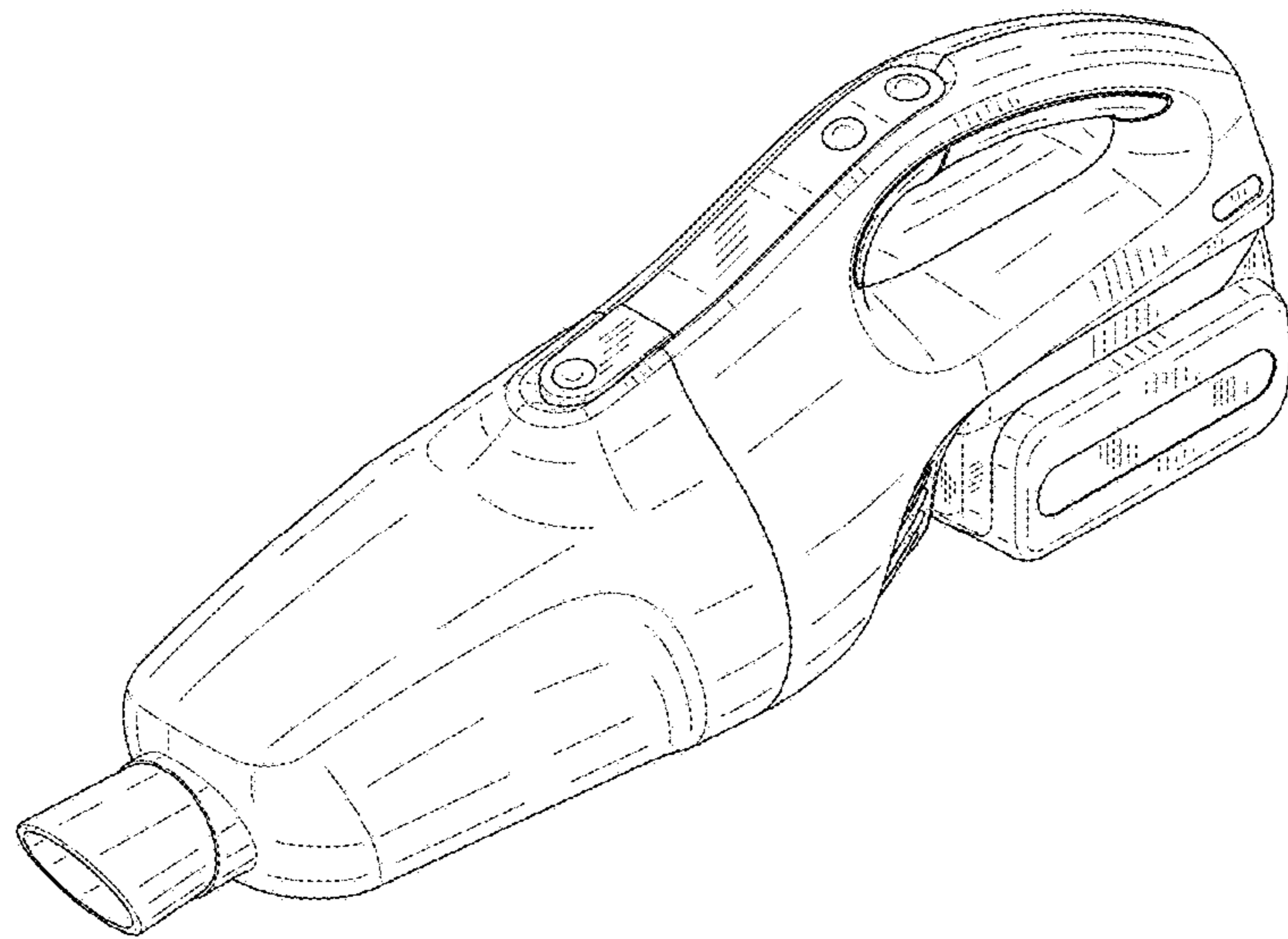


FIG. 2

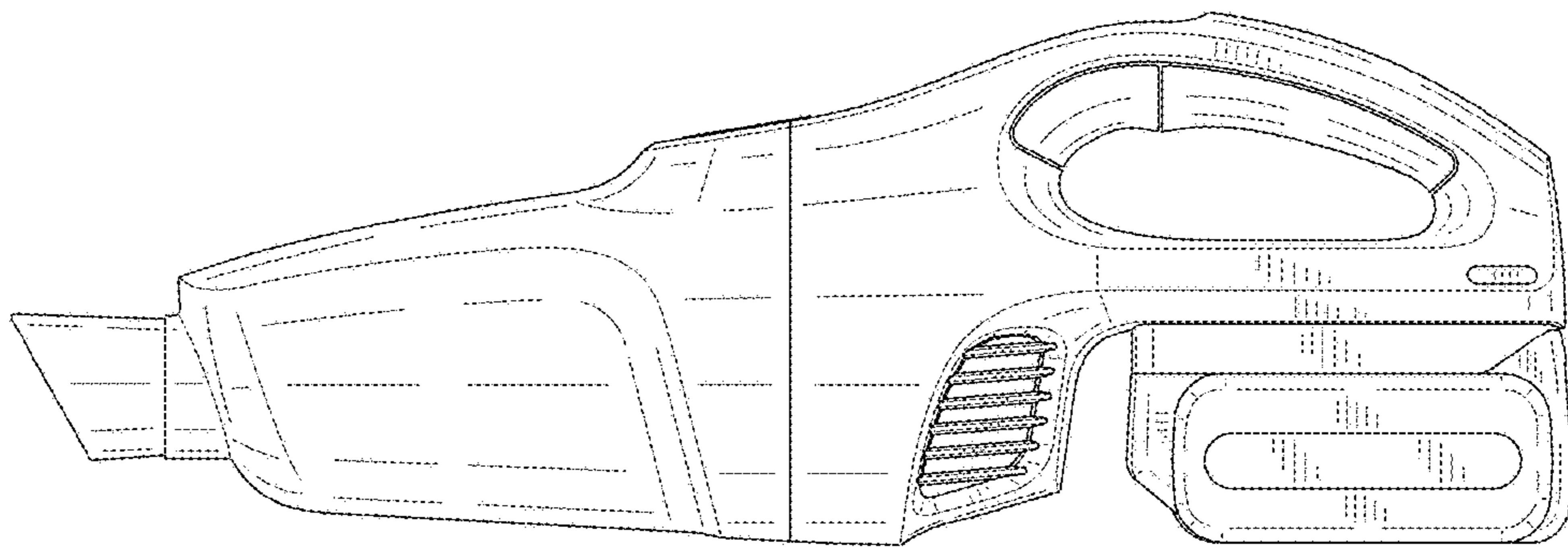


FIG. 3

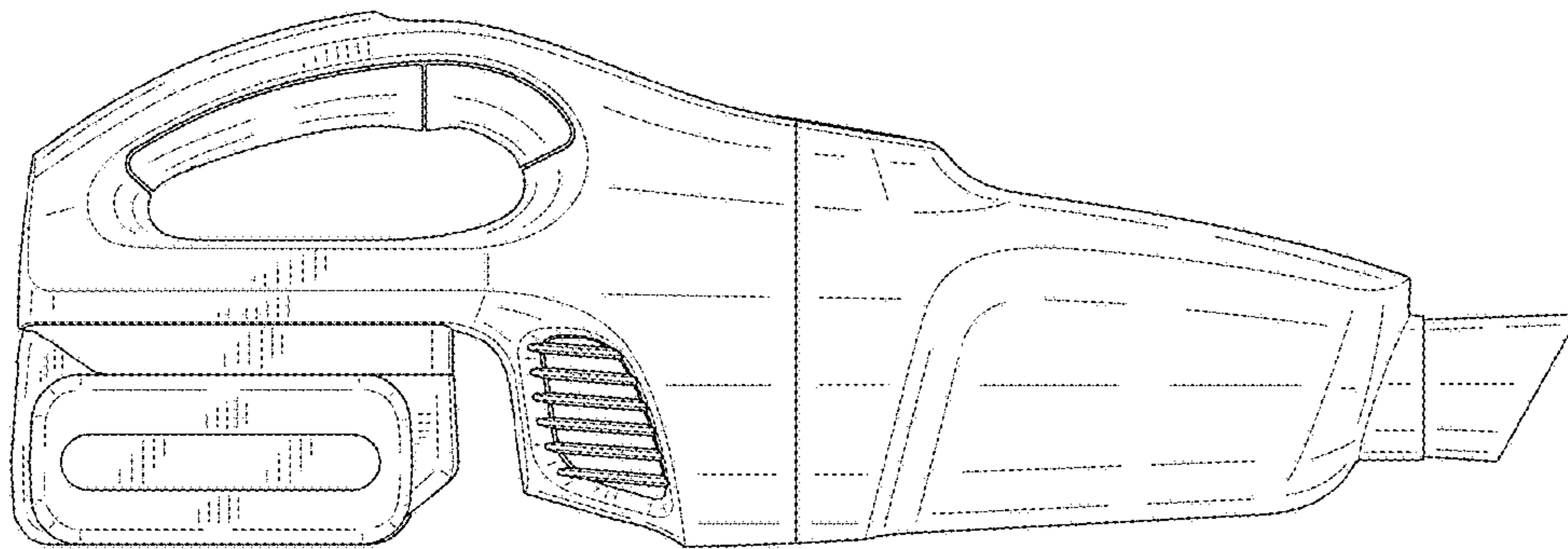


FIG. 4

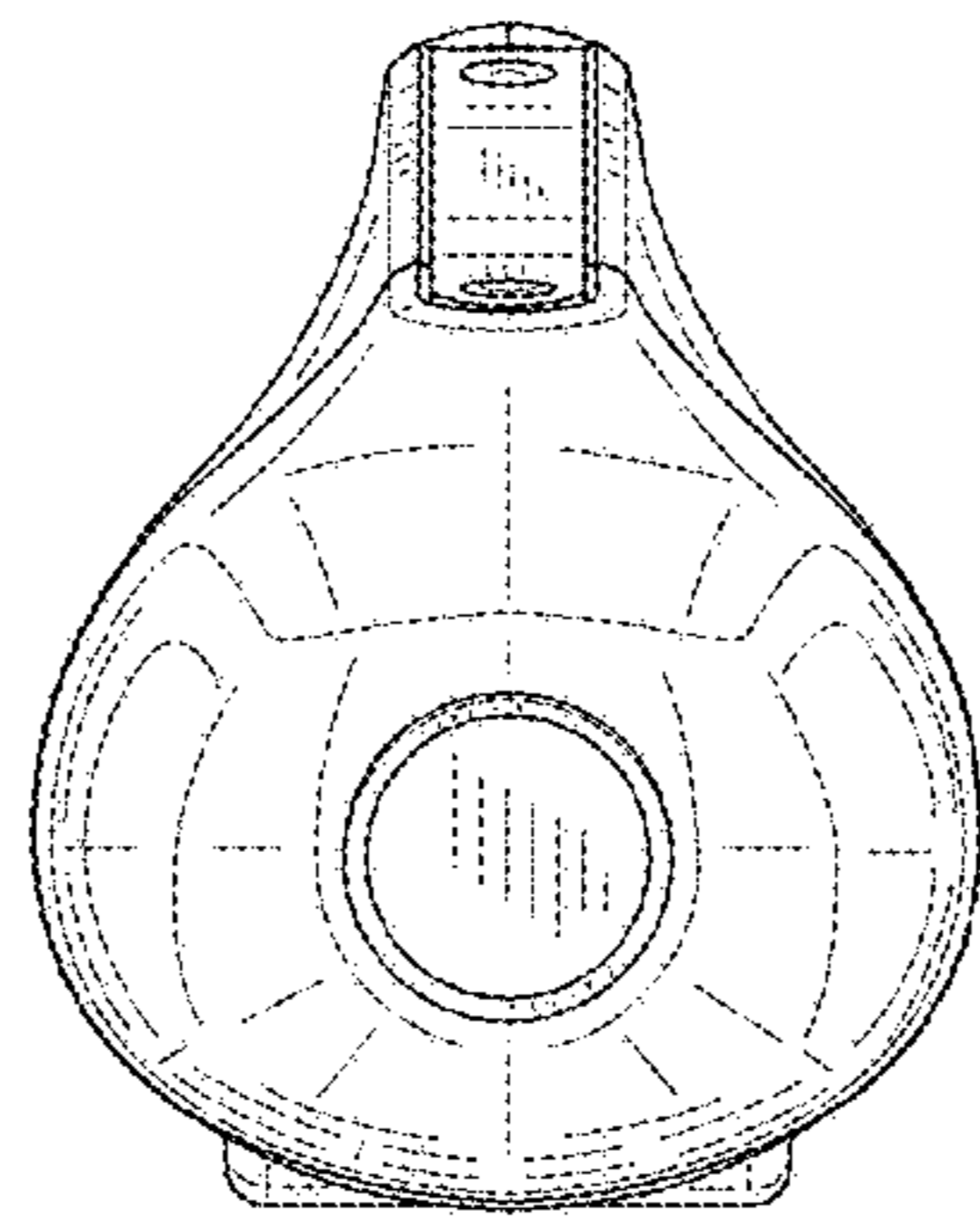


FIG. 5

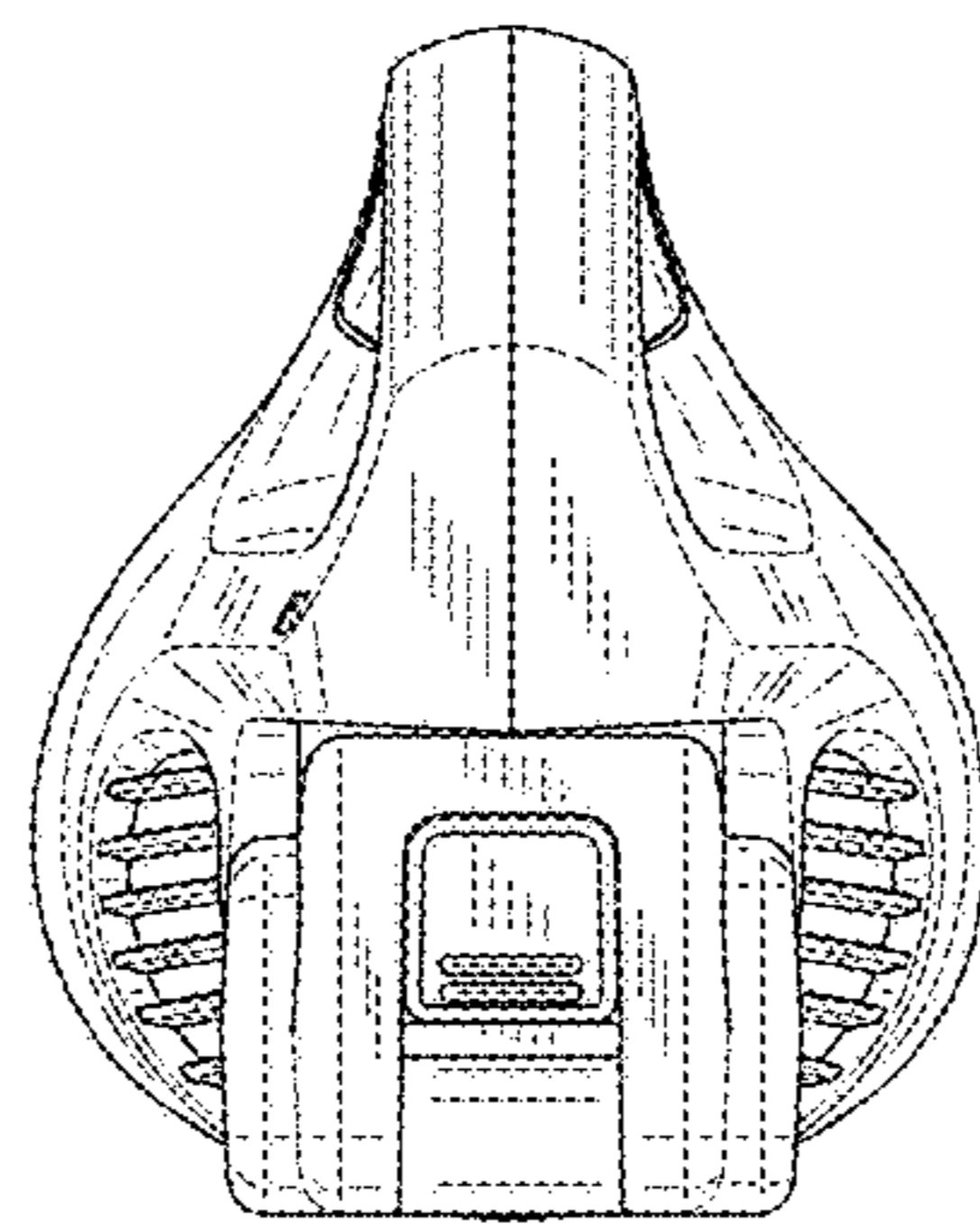


FIG. 6

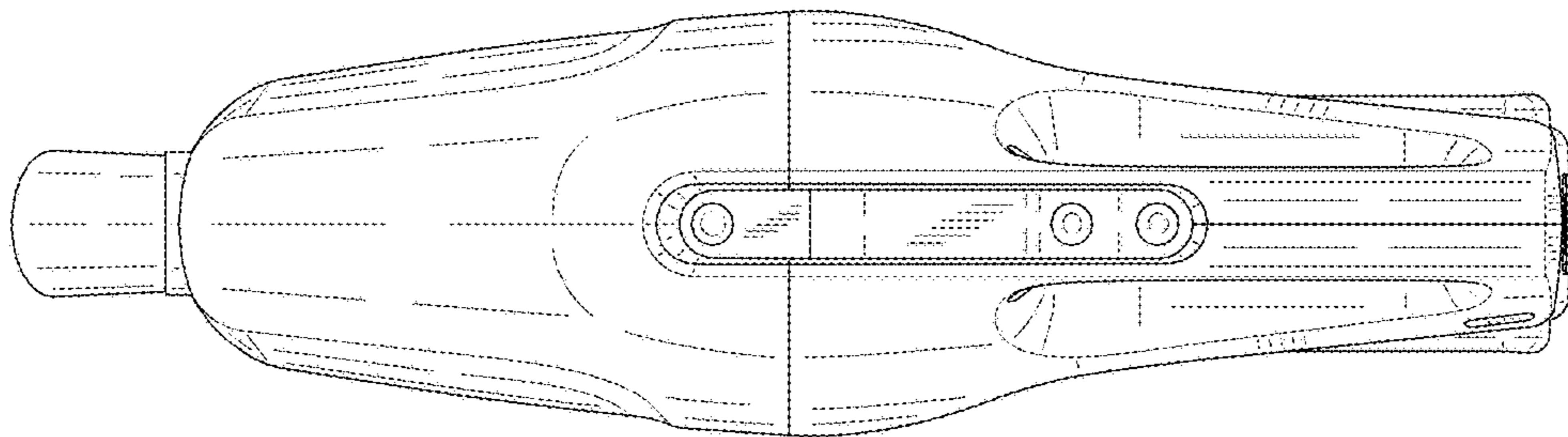


FIG. 7

