



US00D865303S

(12) **United States Design Patent**
Greiner et al.

(10) **Patent No.:** **US D865,303 S**

(45) **Date of Patent:** **** Oct. 29, 2019**

(54) **DOG LEASH ASSEMBLY FOR USE WITH A BICYCLE**

6,662,751 B1 12/2003 Rutter
7,017,526 B2 3/2006 Chen
7,044,541 B1 5/2006 Eissinger et al.

(Continued)

(71) Applicants: **Chris Greiner**, Hermosa Beach, CA (US); **Blake Andrew Olson**, Arvada, CO (US)

(72) Inventors: **Chris Greiner**, Hermosa Beach, CA (US); **Blake Andrew Olson**, Arvada, CO (US)

(**) Term: **15 Years**

(21) Appl. No.: **29/615,920**

(22) Filed: **Aug. 31, 2017**

(51) **LOC (12) Cl.** **30-04**

(52) **U.S. Cl.**
USPC **D30/153**

(58) **Field of Classification Search**
USPC D30/144, 151, 152, 153, 154, 160, 199;
D6/518; D21/732, 777; D3/215;
D8/107, 313
CPC A01K 27/003; B62J 2099/0073
See application file for complete search history.

(56) **References Cited**

U.S. PATENT DOCUMENTS

4,134,364	A *	1/1979	Boncela	A01K 1/04	119/703
4,190,218	A	2/1980	Cousens, Jr.			
4,854,269	A	8/1989	Arntzen			
5,215,037	A *	6/1993	Allred	A01K 1/04	119/771
6,006,699	A *	12/1999	Keever	A01K 27/005	119/795
6,148,772	A *	11/2000	Keyek-Frannsen	A01K 1/04	119/771
6,311,997	B1	11/2001	Lepley			
6,408,793	B1 *	6/2002	Rutter	B60P 3/04	119/400

OTHER PUBLICATIONS

“T Tocas Stainless Steel Bicycle Dogs Leash”. Found online Feb. 28, 2019 at amazon.co.uk. Page dated Sep. 21, 2015. Retrieved from https://www.amazon.co.uk/Tocas-Stainless-Steel-Bicycle-Leash/dp/B015MU5XWW/ref=sr_1_37?s=pets-supplies&ie=UTF8&qid=1551391055&sr=1-37&keywords=bicycle+leash.*

(Continued)

Primary Examiner — Kendra Leslie Hamilton

(74) *Attorney, Agent, or Firm* — Bret W Adams

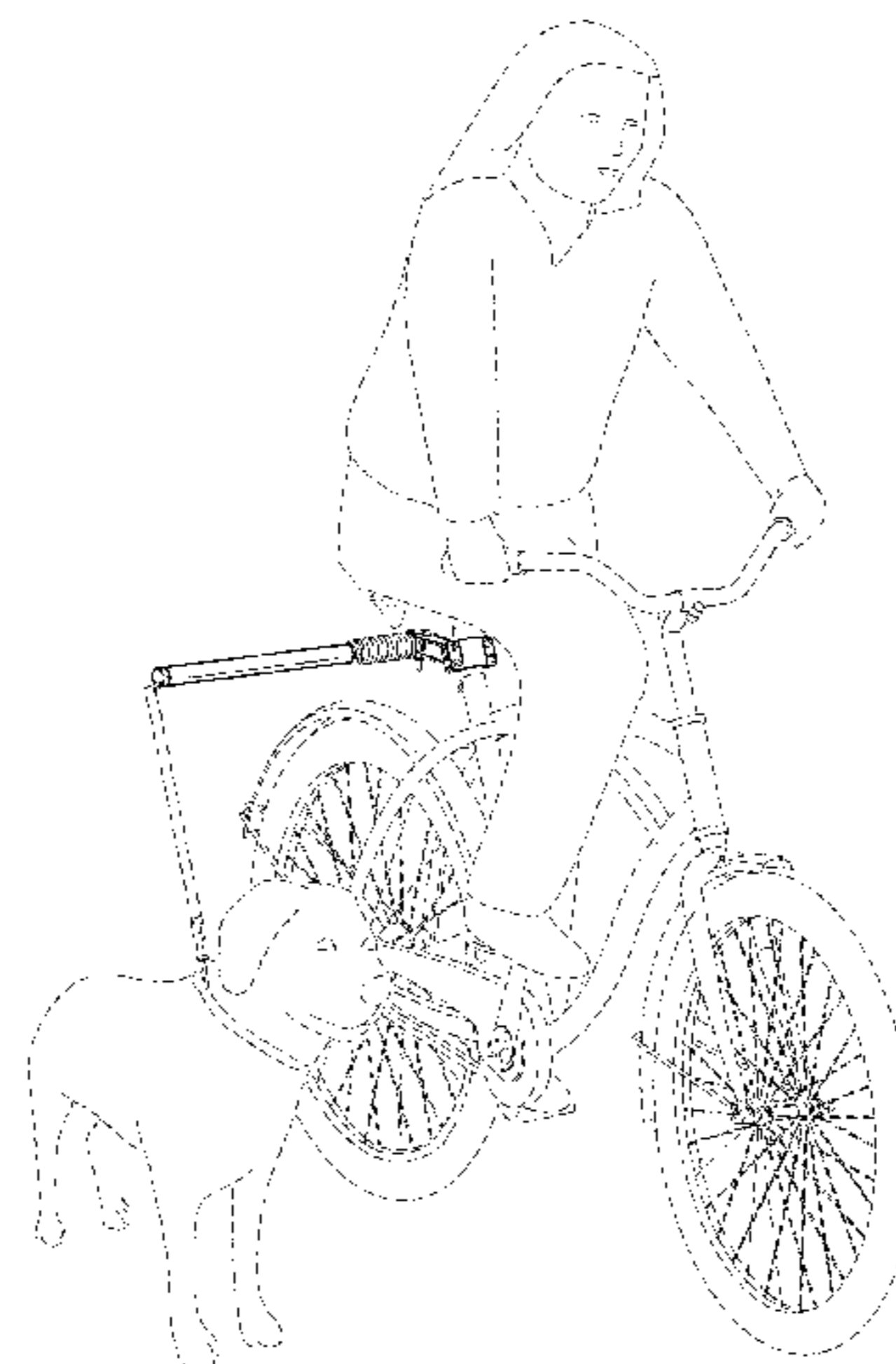
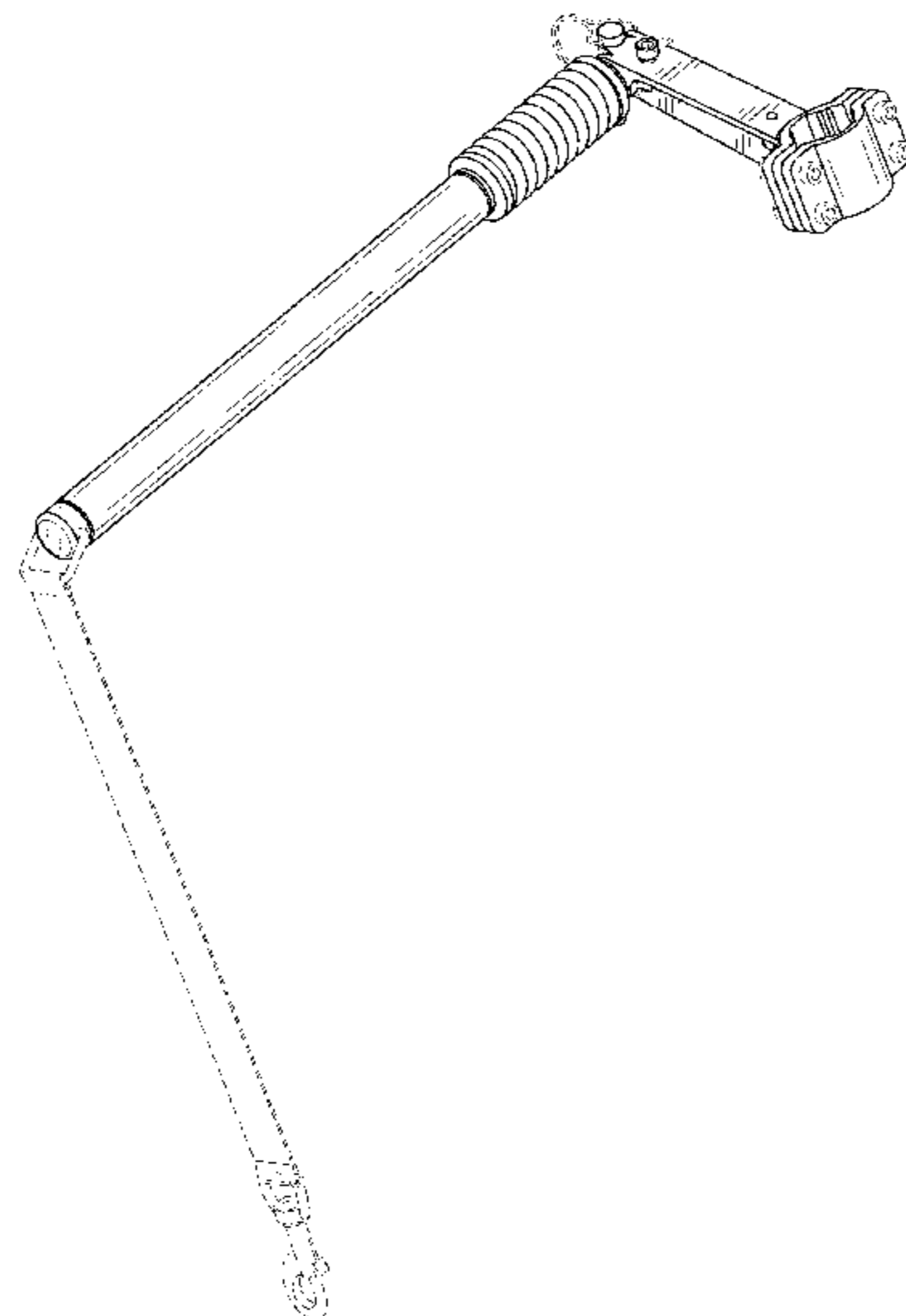
(57) **CLAIM**

The ornamental design for a dog leash assembly for use with a bicycle, as shown and described.

DESCRIPTION

FIG. 1 is a top, front, right perspective view of a dog leash assembly for use with a bicycle, showing our new design; FIG. 2 is a front elevation view thereof; FIG. 3 is a rear elevation view thereof; FIG. 4 is a right side elevation view thereof; FIG. 5 is a left side elevation view thereof; FIG. 6 is a top plan view thereof; FIG. 7 is a bottom plan view thereof; and, FIG. 8 is a top, front, right perspective view of the dog leash assembly for use with a bicycle, shown in a condition of use. In the drawings, the broken line showing of a leash, fasteners, and leash hardware depicts portions of the dog leash assembly for use with a bicycle that forms no part of the claimed design. In FIG. 8, the broken line showing of a human, dog, and bicycle depicts environmental subject matter only and forms no part of the claimed design.

1 Claim, 7 Drawing Sheets



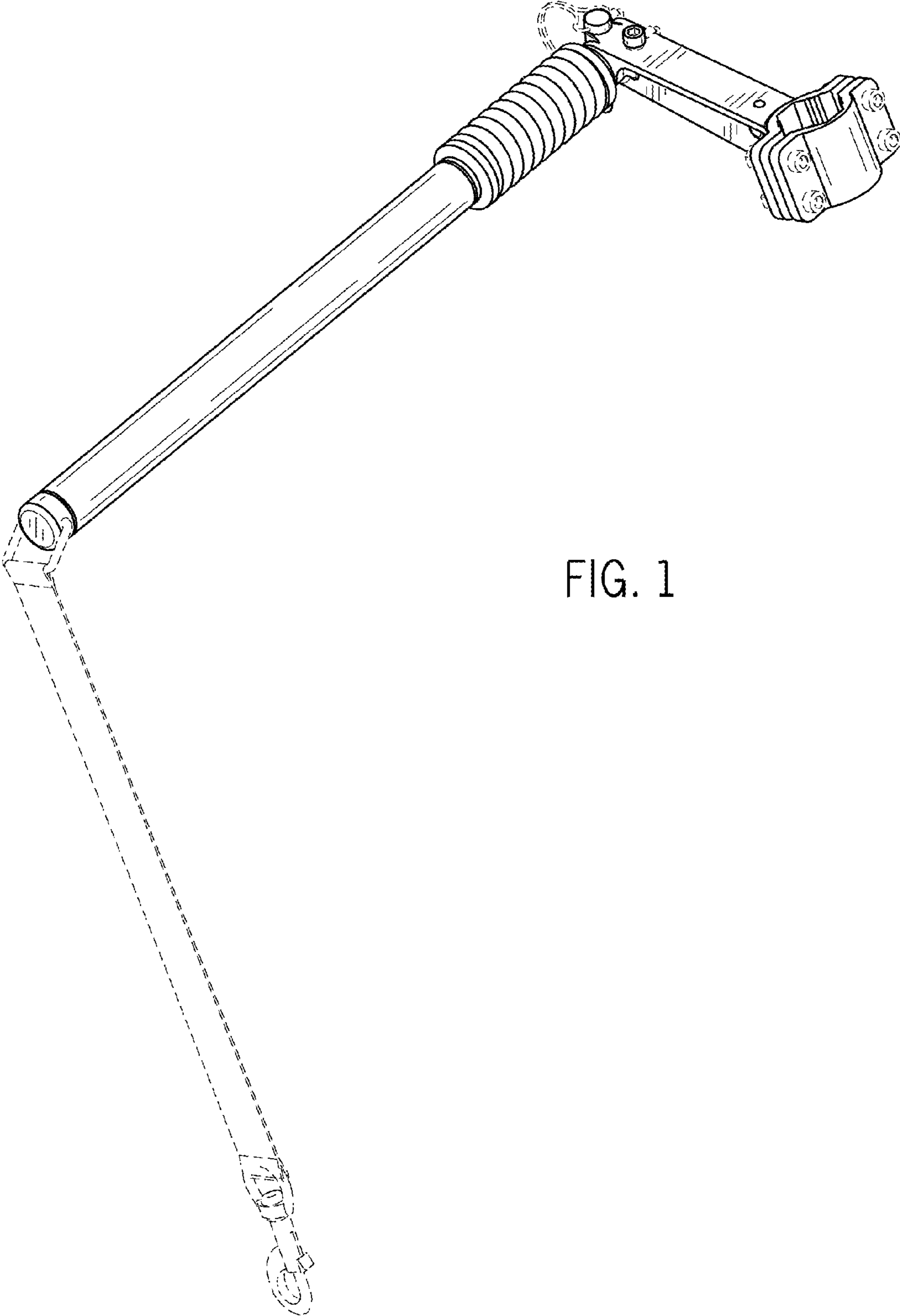


FIG. 1

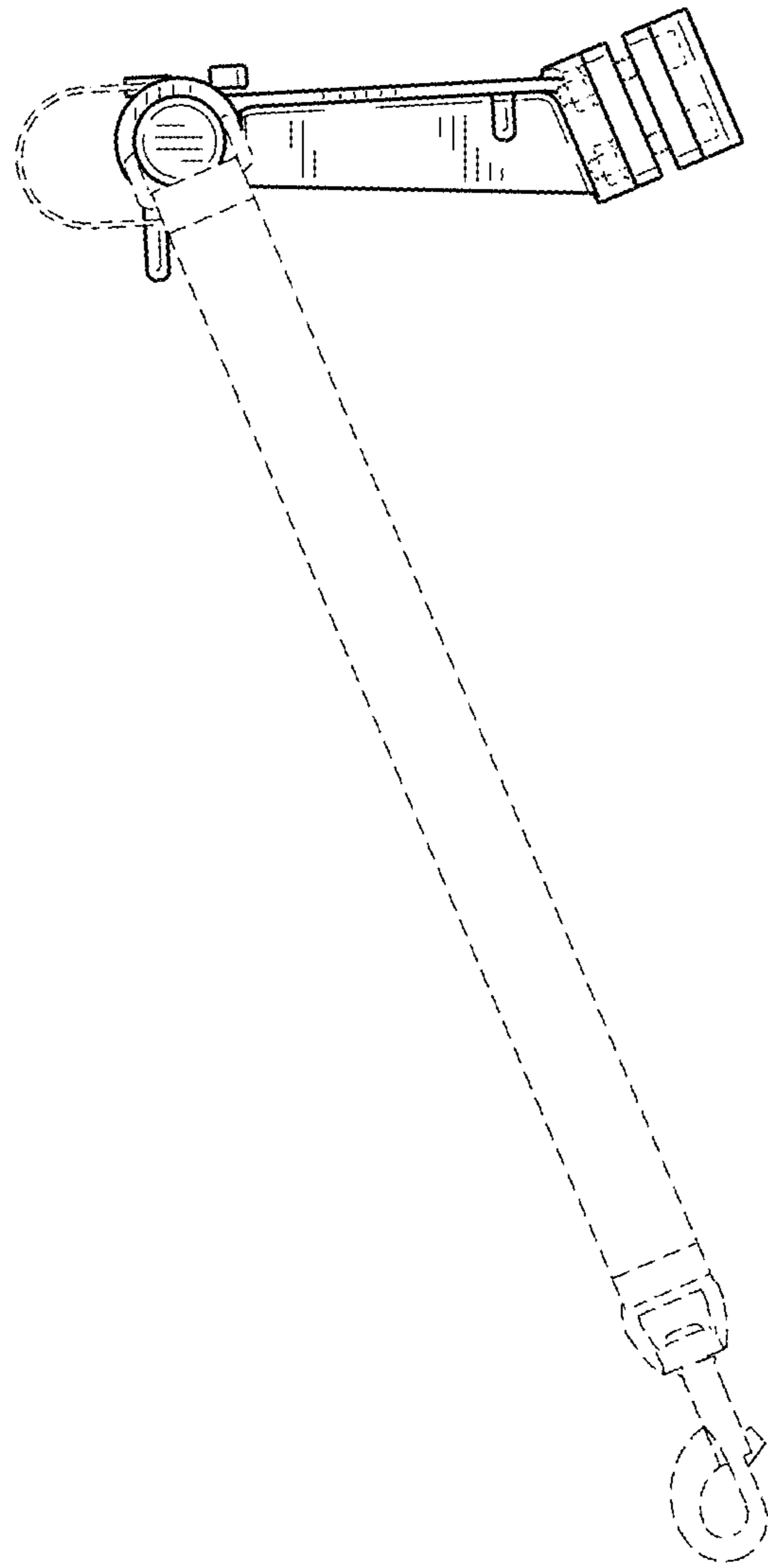


FIG. 2

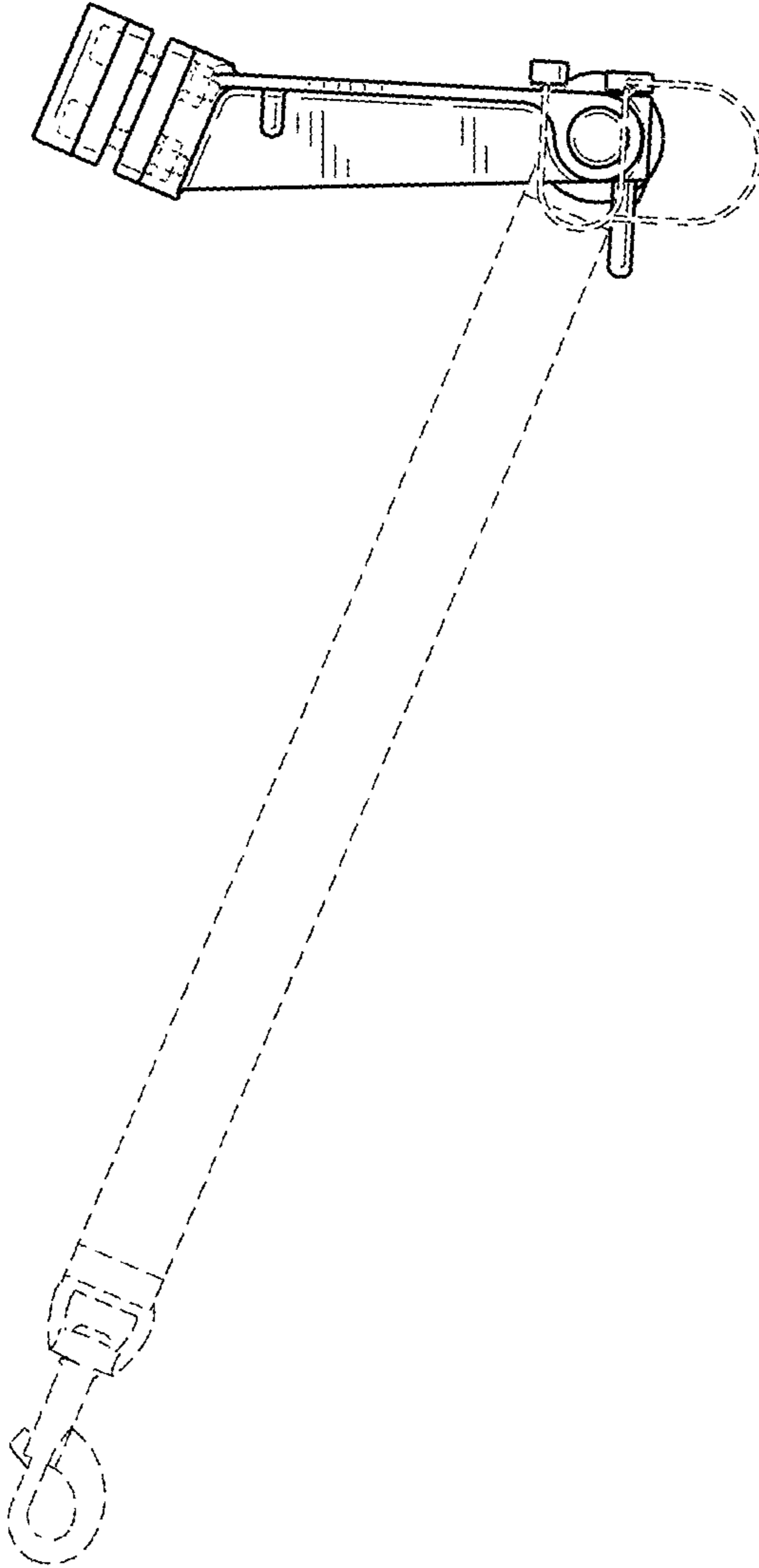


FIG. 3

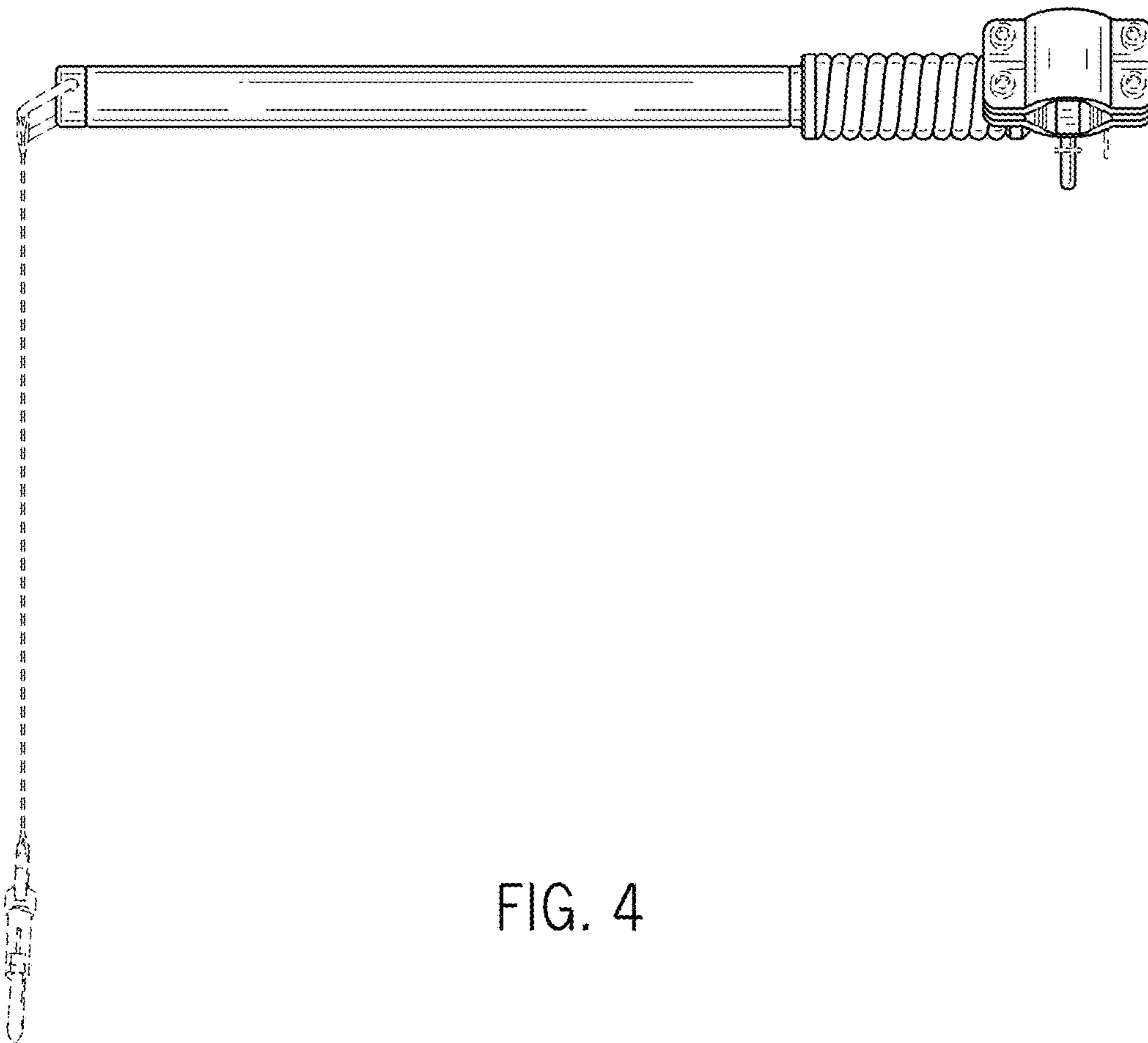


FIG. 4

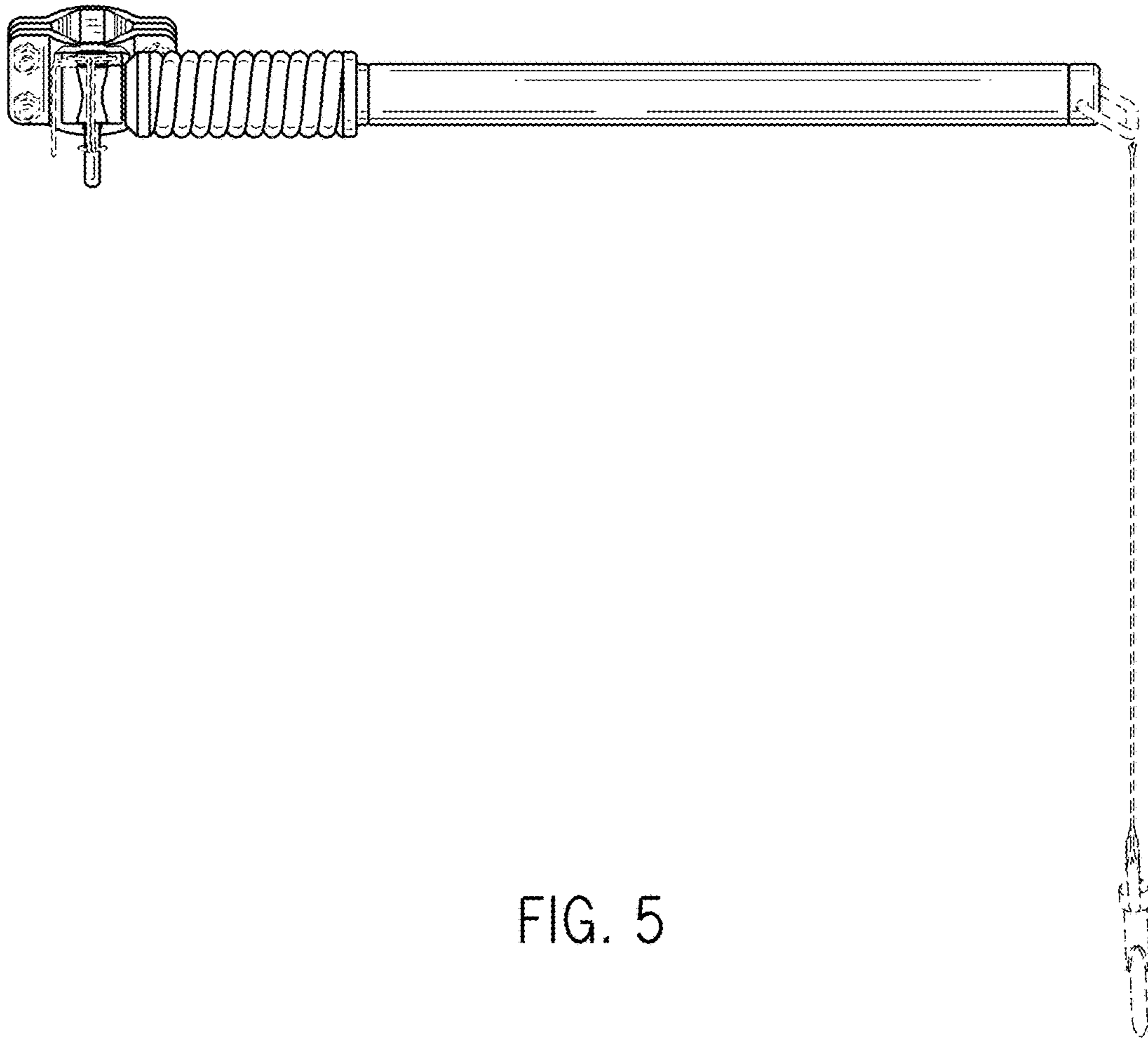


FIG. 5

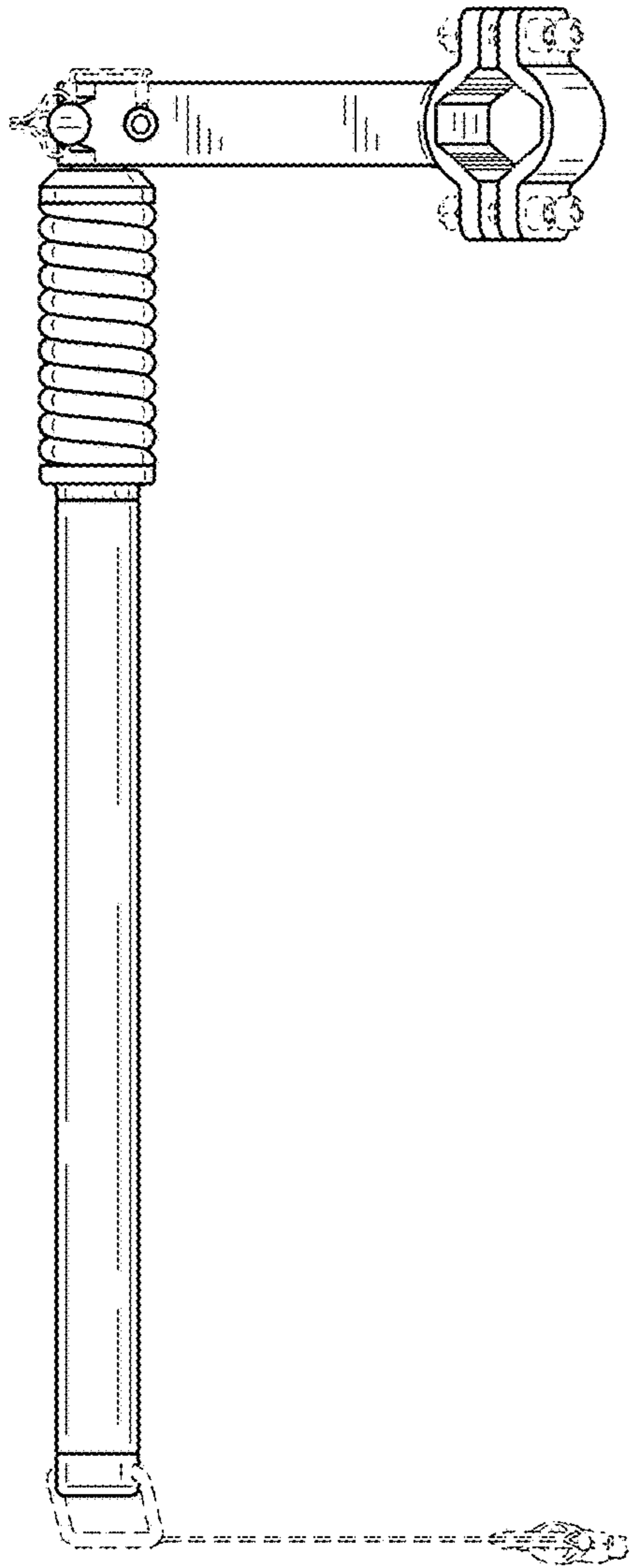


FIG. 6

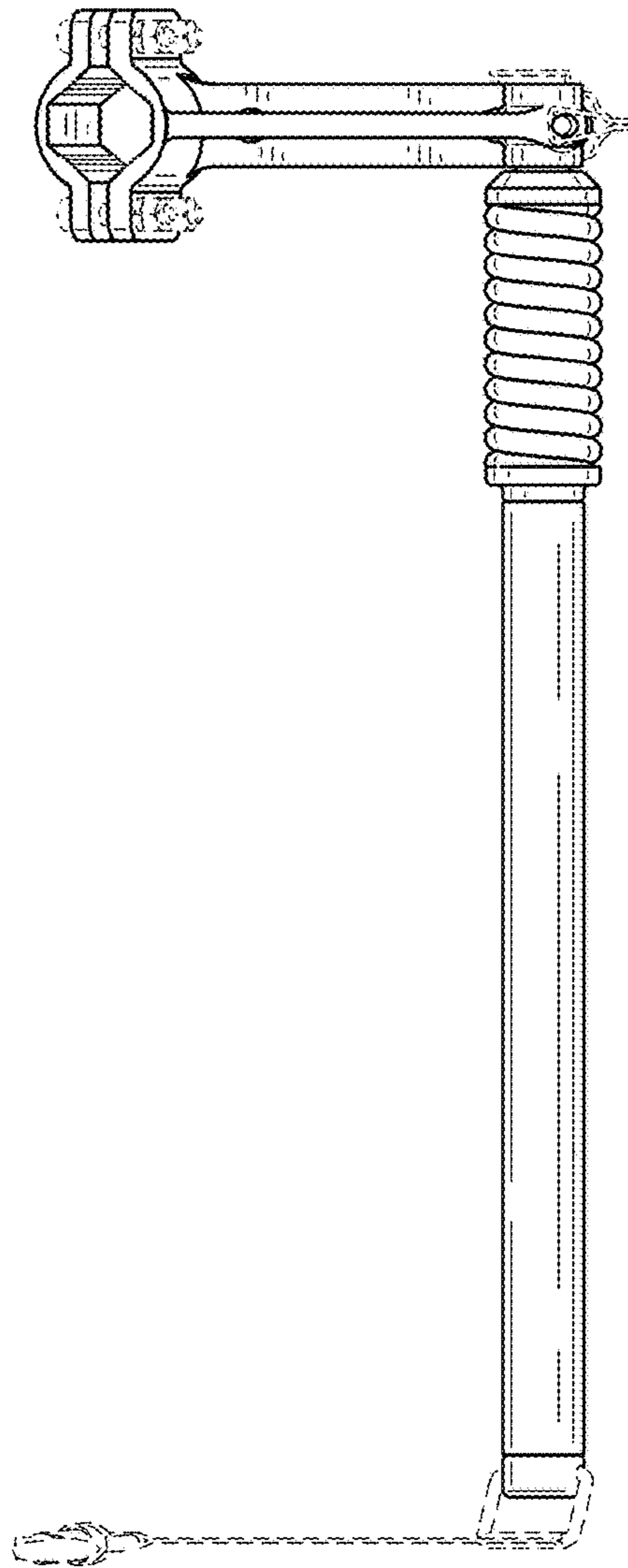


FIG. 7

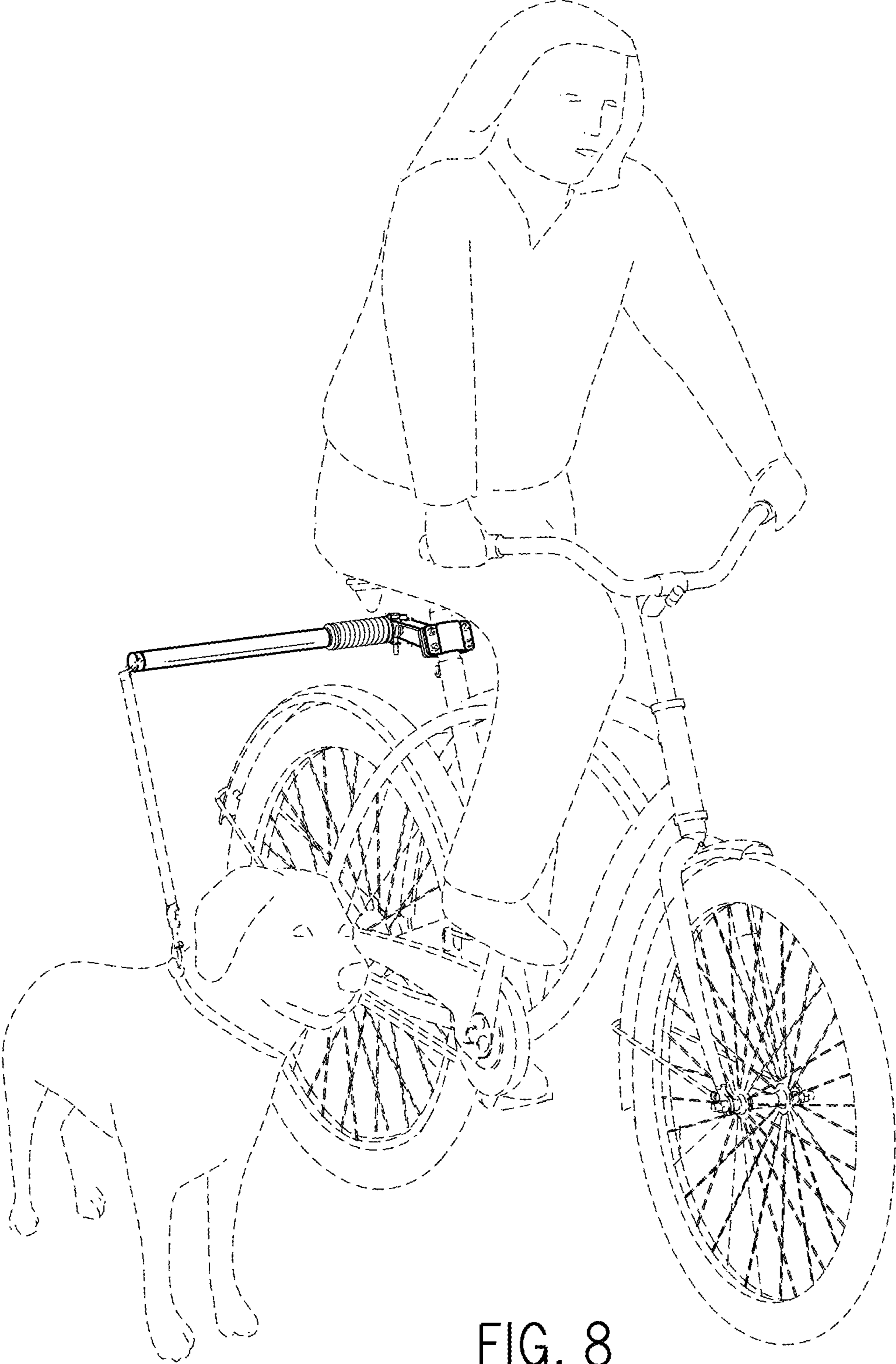


FIG. 8