



US00D865301S

(12) **United States Design Patent**
Eidelman et al.

(10) **Patent No.:** **US D865,301 S**

(45) **Date of Patent:** **** *Oct. 29, 2019**

(54) **CHARM**

(71) Applicant: **Mars, Incorporated**, McLean, VA (US)

(72) Inventors: **Steven Eidelman**, San Francisco, CA (US); **Robert Mott**, La Quinta, CA (US); **Beau Oyler**, Walnut Creek, CA (US); **Jeff Tung**, San Jose, CA (US); **Mark Sires**, Santa Cruz, CA (US); **Kevin R Lloyd**, San Carlos, CA (US)

(73) Assignee: **MARS, INCORPORATED**, McLean, VA (US)

(*) Notice: This patent is subject to a terminal disclaimer.

(**) Term: **15 Years**

(21) Appl. No.: **29/580,756**

(22) Filed: **Oct. 12, 2016**

(51) **LOC (12) Cl.** **30-04**

(52) **U.S. Cl.**
USPC **D30/152**

(58) **Field of Classification Search**
USPC D30/152, 199; D11/79, 86; D10/30, 40, D10/70, 50, 52, 60, 61, 104.1, 104.2; D14/344, 242; D24/186
CPC .. A01K 11/006; A01K 11/008; A01K 15/021; A01K 15/022; A01K 27/001; A01K 27/005; A01K 27/009; A01K 29/00
See application file for complete search history.

(56) **References Cited**

U.S. PATENT DOCUMENTS

1,242,159 A	10/1917	Dunkleberger
1,271,650 A	7/1918	Arkin
1,380,177 A	5/1921	Louis
1,402,827 A	1/1922	Louis
1,754,200 A	4/1930	Janes
1,839,896 A	1/1932	Theodore

2,364,266 A	12/1944	Edward
3,477,409 A	11/1969	Costanzo
3,782,017 A	1/1974	Graham
D242,675 S	12/1976	McNair
4,208,986 A	6/1980	Costanzo
4,318,234 A	3/1982	Charles et al.

(Continued)

FOREIGN PATENT DOCUMENTS

DE	202005013615 U1	11/2005
JP	1602690 S	4/2017

OTHER PUBLICATIONS

Whistle 3 GPS Pet Tracker & Activity Monitor, available for sale Jun. 8, 2017 [online], [retrieved Jul. 1, 2018], Available from Internet, URL: <https://www.amazon.com/dp/B01N7MWKWY/ref=sspa_dk_detail_1?psc=1>.*

(Continued)

Primary Examiner — Barbara Fox

Assistant Examiner — Mary C Ramirez

(74) *Attorney, Agent, or Firm* — Greenberg Traurig, LLP

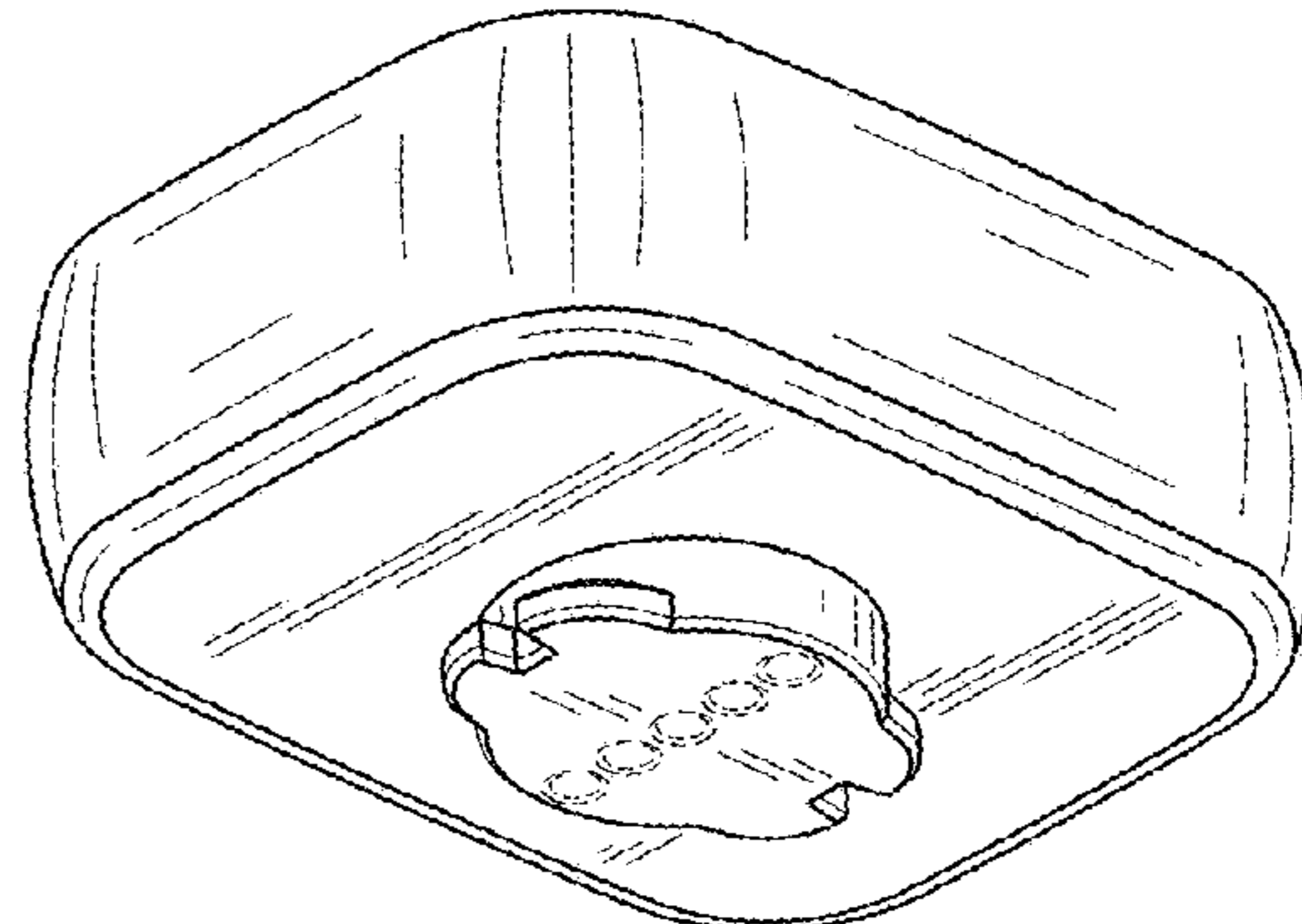
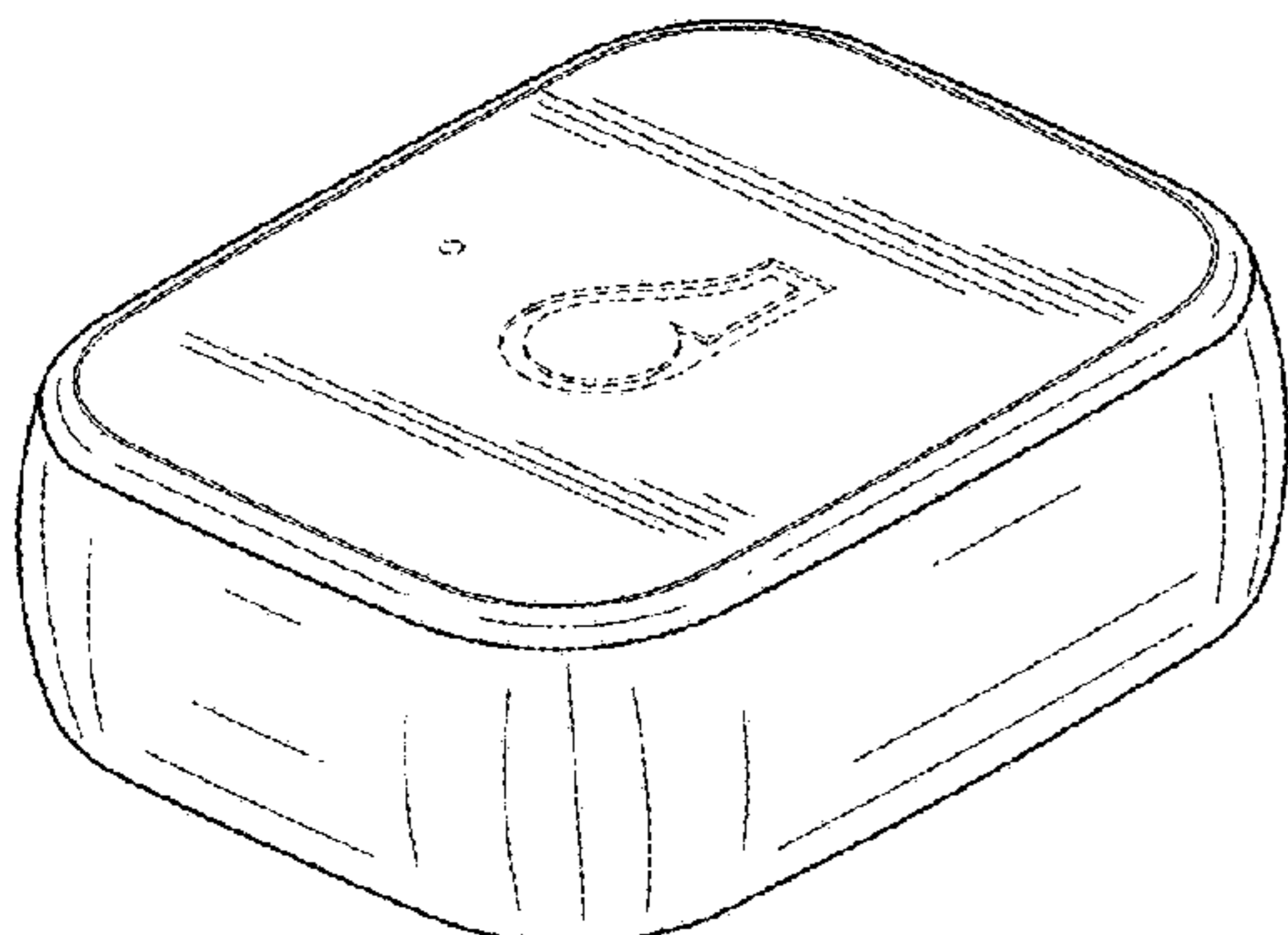
(57) **CLAIM**

The ornamental design for a charm, as shown and described.

DESCRIPTION

FIG. 1 is a top perspective view of a charm showing the new design;
FIG. 2 is a bottom perspective view thereof;
FIG. 3 is a top plan view thereof;
FIG. 4 is a bottom plan view thereof;
FIG. 5 is a rear elevation view thereof;
FIG. 6 is a front elevation view thereof;
FIG. 7 is a right side elevation view thereof; and,
FIG. 8 is a left side elevation view thereof.
The broken lines shown in the drawings depict portions of the charm that form no part of the claimed design.

1 Claim, 4 Drawing Sheets



(56)

References Cited

U.S. PATENT DOCUMENTS

4,742,503 A 5/1988 Braun et al.
 4,809,700 A 3/1989 Castelli et al.
 D300,678 S 4/1989 Barrault
 4,821,424 A 4/1989 Loggins
 4,940,020 A 7/1990 Gordon
 D337,411 S 7/1993 Smith
 D349,864 S 8/1994 Dunlap et al.
 5,473,830 A 12/1995 Doble
 5,603,094 A 2/1997 Greear
 5,623,731 A 4/1997 Ehr Gott et al.
 D410,206 S 5/1999 Slater
 6,202,599 B1 3/2001 Cutler
 6,314,058 B1 11/2001 Lee
 D454,991 S 3/2002 Muller
 D460,221 S 7/2002 Slood
 D464,941 S 10/2002 Latto et al.
 D478,830 S 8/2003 So
 6,695,269 B1 2/2004 Anscher
 6,720,879 B2 4/2004 Edwards
 6,805,460 B1 10/2004 Zoller et al.
 D521,927 S 5/2006 Franck et al.
 D524,282 S 7/2006 Beasley et al.
 7,140,989 B2 11/2006 Poruchny
 D535,281 S 1/2007 Yang
 D537,409 S 2/2007 Suzuki
 D558,209 S 12/2007 Ikeda et al.
 D565,182 S 3/2008 Cheng et al.
 7,341,561 B2 3/2008 Tanaka et al.
 D575,289 S 8/2008 Kuo et al.
 D584,176 S * 1/2009 Maruyama D10/70
 D591,012 S 4/2009 Geissler
 D592,647 S 5/2009 L'Henaff et al.
 D594,404 S 6/2009 Kuo et al.
 D594,874 S 6/2009 Sheba et al.
 D597,676 S 8/2009 Copeland et al.
 D599,241 S 9/2009 Andre et al.
 D608,277 S 1/2010 Cano et al.
 D609,636 S 2/2010 Jensen
 7,705,736 B1 4/2010 Kedziora
 D618,802 S 6/2010 Brady et al.
 D619,256 S 7/2010 Brady et al.
 D625,262 S 10/2010 Lee et al.
 D627,718 S 11/2010 Houghton
 D656,096 S 3/2012 Sasada et al.
 D657,274 S 4/2012 Neethling
 D663,684 S 7/2012 Yang
 D663,685 S 7/2012 Yang
 D667,322 S 9/2012 Madrack
 D668,562 S 10/2012 Madrack
 D669,027 S 10/2012 Kumpula et al.
 D671,921 S 12/2012 Beall et al.
 D673,110 S 12/2012 Sasada et al.
 D673,908 S 1/2013 Koch
 8,353,603 B2 1/2013 Berry et al.
 D680,541 S 4/2013 Lee et al.
 D693,814 S 11/2013 Park
 D694,228 S 11/2013 Richter
 D698,376 S 1/2014 Funato et al.
 D704,634 S * 5/2014 Eidelman D13/108
 D706,321 S 6/2014 Oetlinger et al.

D709,396 S * 7/2014 Eidelman D10/106.9
 D724,971 S * 3/2015 Bailey D10/70
 D725,511 S * 3/2015 Read D10/70
 D725,850 S 3/2015 Eidelman et al.
 D742,817 S 11/2015 Lammers-Meis et al.
 D744,658 S * 12/2015 Hilkey-Boyatt D11/86
 D745,421 S * 12/2015 Akana D10/32
 D749,570 S * 2/2016 Lee D14/344
 D761,138 S * 7/2016 Manabe D10/65
 D769,869 S * 10/2016 Zhou D10/38
 D772,745 S * 11/2016 Henne D10/70
 D774,651 S * 12/2016 Kaib D24/186
 D778,746 S * 2/2017 Renganathan D10/70
 D780,238 S 2/2017 Kato
 D784,325 S * 4/2017 Kim D14/341
 D788,999 S * 6/2017 Zinn D30/152
 D797,100 S 9/2017 Wieser et al.
 D798,861 S 10/2017 Wieser et al.
 D800,085 S * 10/2017 Shepher D14/138 R
 D800,721 S * 10/2017 Kim D14/344
 9,861,080 B1 * 1/2018 Hathway A01K 27/009
 D812,499 S * 3/2018 Kuh D10/70
 D815,061 S 4/2018 Wei
 D815,077 S * 4/2018 Sibley D14/242
 9,949,459 B2 4/2018 Pattie et al.
 D816,520 S * 5/2018 Elrod D10/52
 D817,558 S 5/2018 Lee et al.
 D819,633 S 6/2018 Jun
 9,986,791 B2 6/2018 Botkus et al.
 10,021,946 B2 7/2018 Kaneko
 D828,189 S * 9/2018 Benedetti D10/70
 D838,716 S * 1/2019 Teng D14/344
 D839,753 S * 2/2019 Domke D10/30
 D840,251 S * 2/2019 Choi D10/52
 D841,005 S * 2/2019 Lin D14/344
 D846,748 S * 4/2019 Benedikter D24/186
 D850,627 S * 6/2019 Purani D24/186
 2002/0010390 A1 1/2002 Guice et al.
 2003/0116101 A1 6/2003 Kim et al.
 2006/0000194 A1 1/2006 Duncan et al.
 2007/0209604 A1 * 9/2007 Groh A01K 15/021
 119/858
 2007/0221140 A1 9/2007 Warren et al.
 2009/0013939 A1 1/2009 Santiago et al.
 2009/0038670 A1 2/2009 Shu
 2012/0048213 A1 3/2012 Konovalov
 2013/0006065 A1 1/2013 Yanai et al.
 2014/0290013 A1 * 10/2014 Eidelman A44B 99/00
 24/593.1
 2015/0020751 A1 1/2015 Pattie et al.
 2017/0208775 A1 * 7/2017 Van Curen A01K 15/022
 2018/0098525 A1 * 4/2018 Lee A01K 27/001

OTHER PUBLICATIONS

"Amazon.com, Inc. Web page, JPO's Prior Design Ref. No. HJ27044048", 7 pp., first available on Oct. 5, 2015, downloaded Mar. 15, 2018.
 Whistle FIT, published 2018 [online], [retrieved on Jul. 17, 2018], Available from internet, URL: <https://www.petinsight.com/whistle-fit/>, 5 pgs.

* cited by examiner

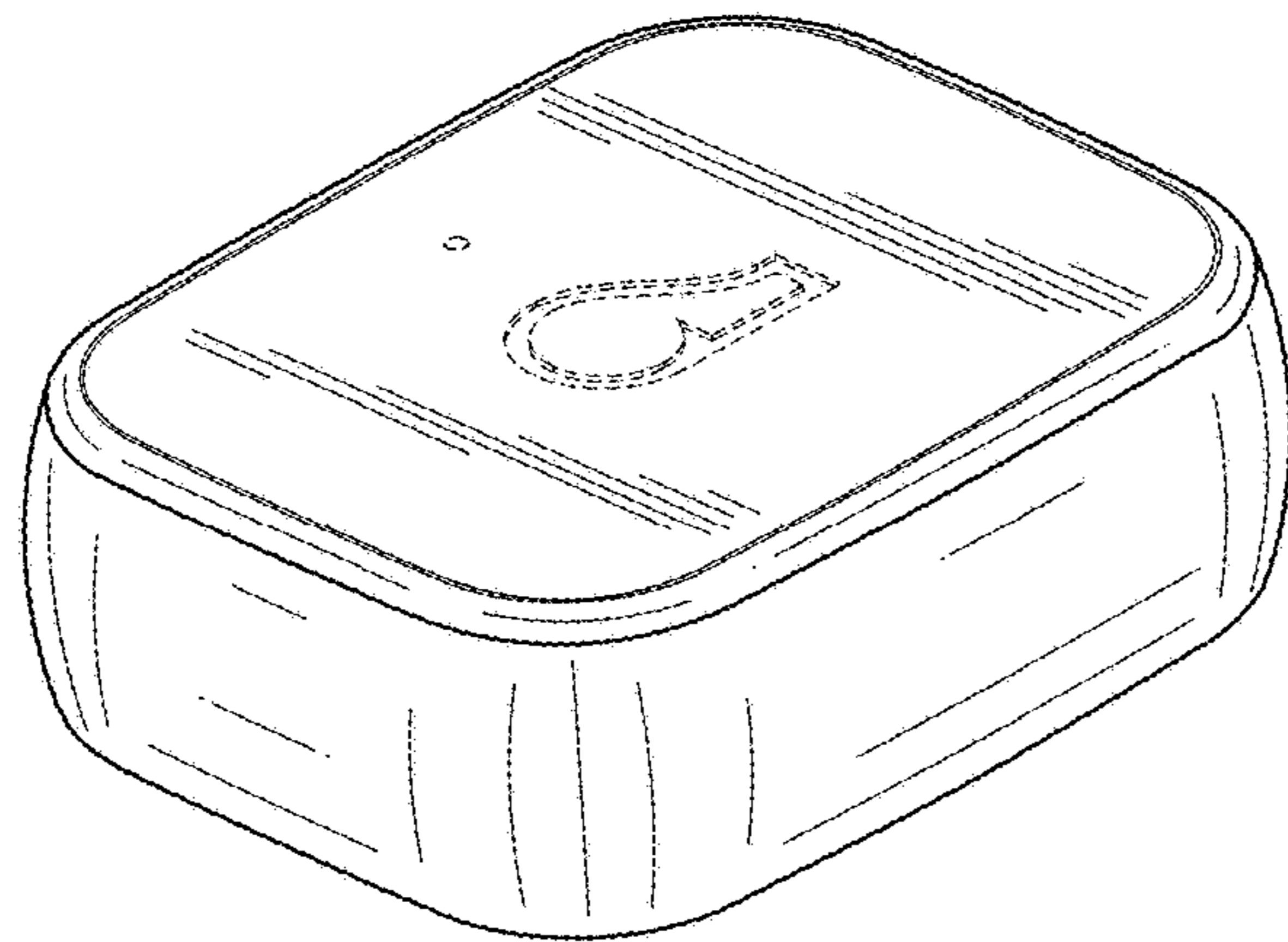


FIG. 1

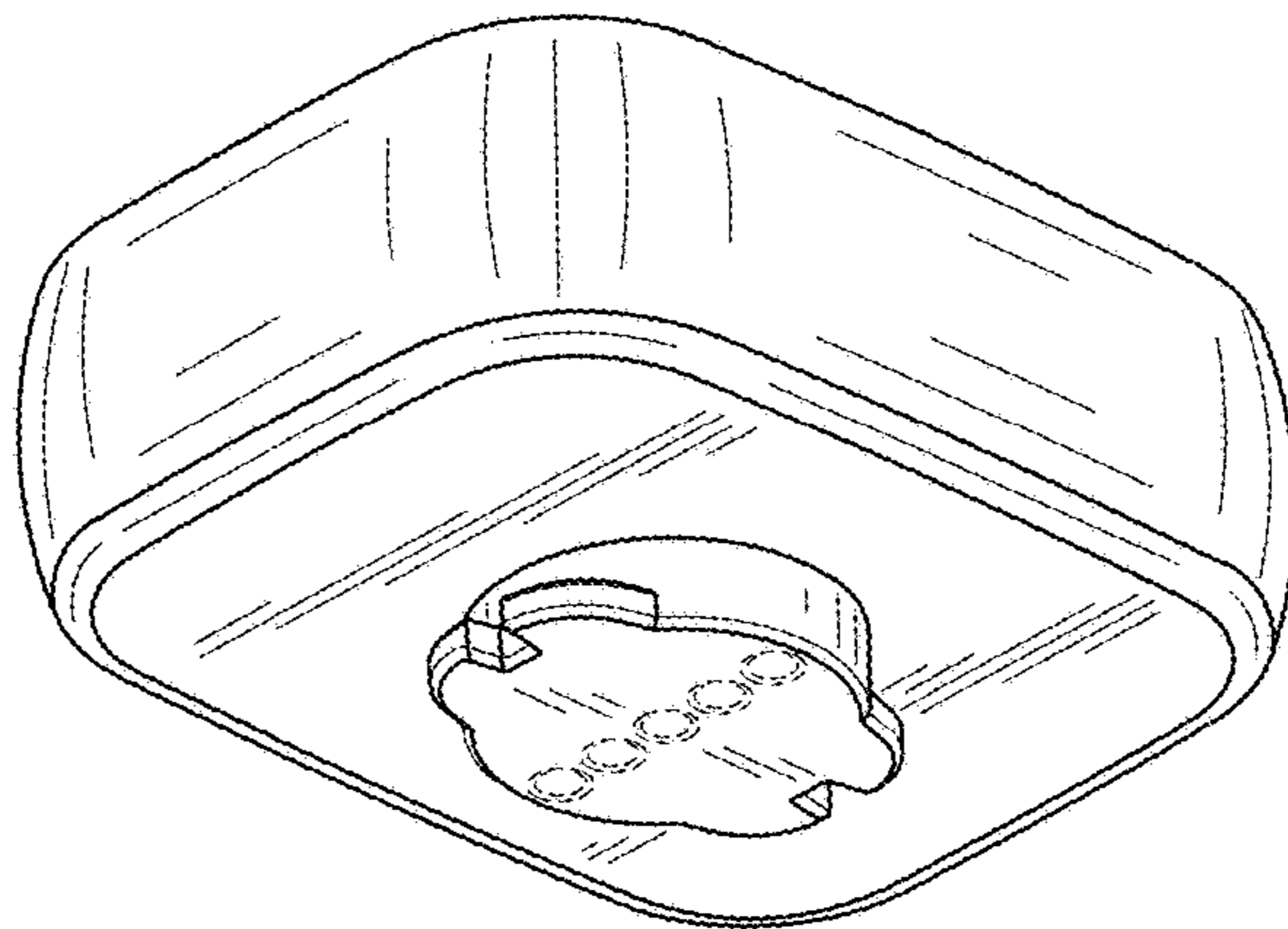


FIG. 2

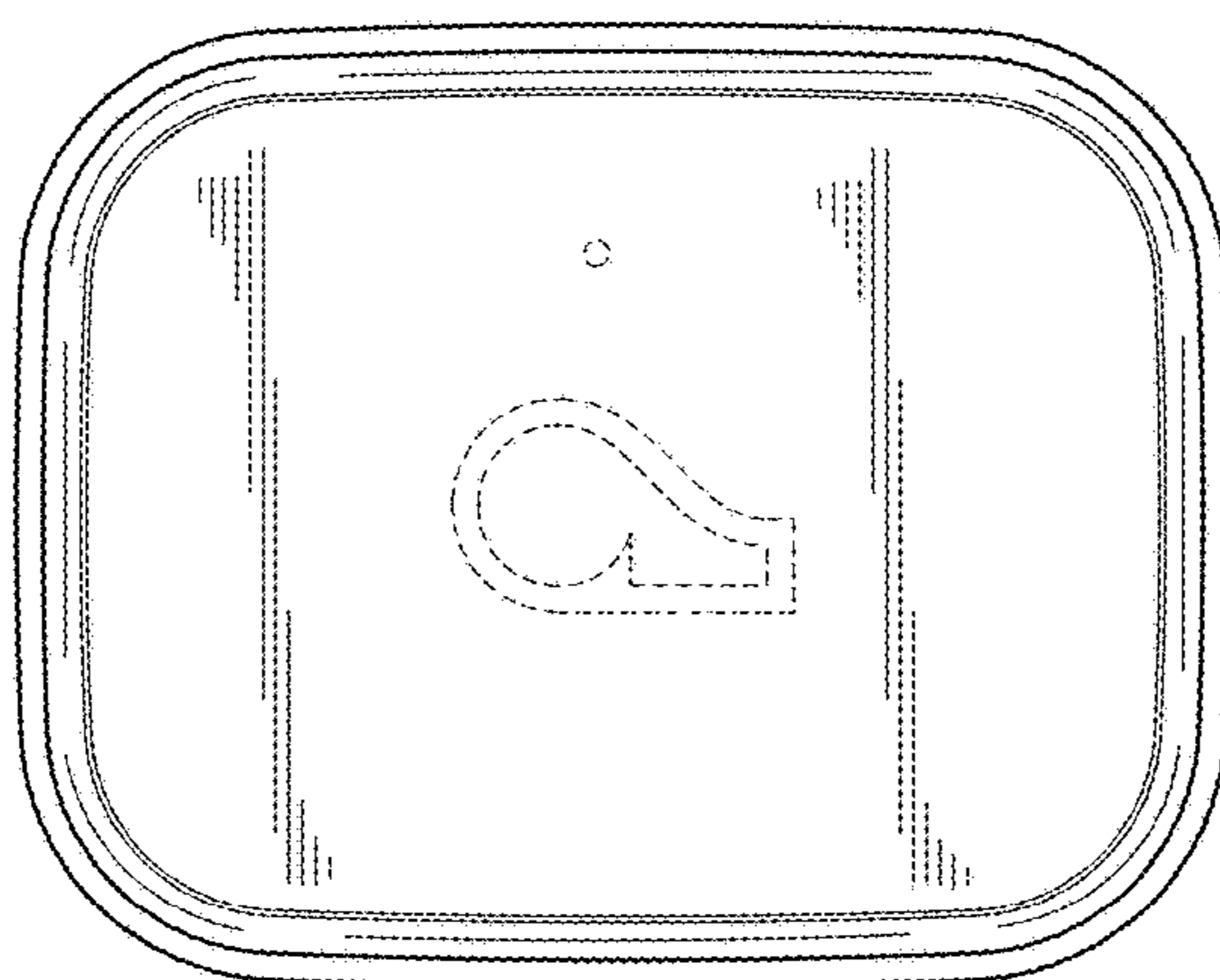


FIG. 3

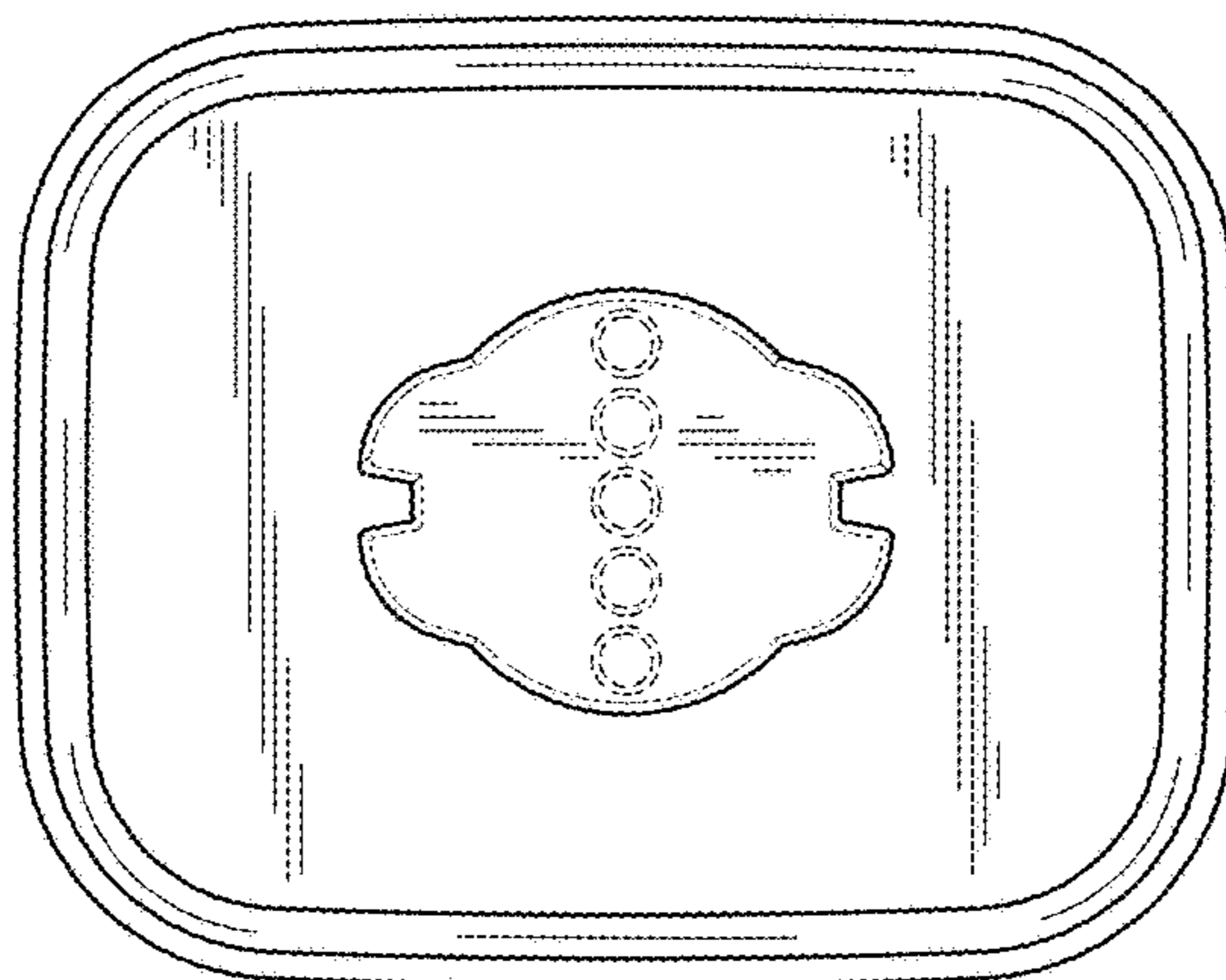


FIG. 4

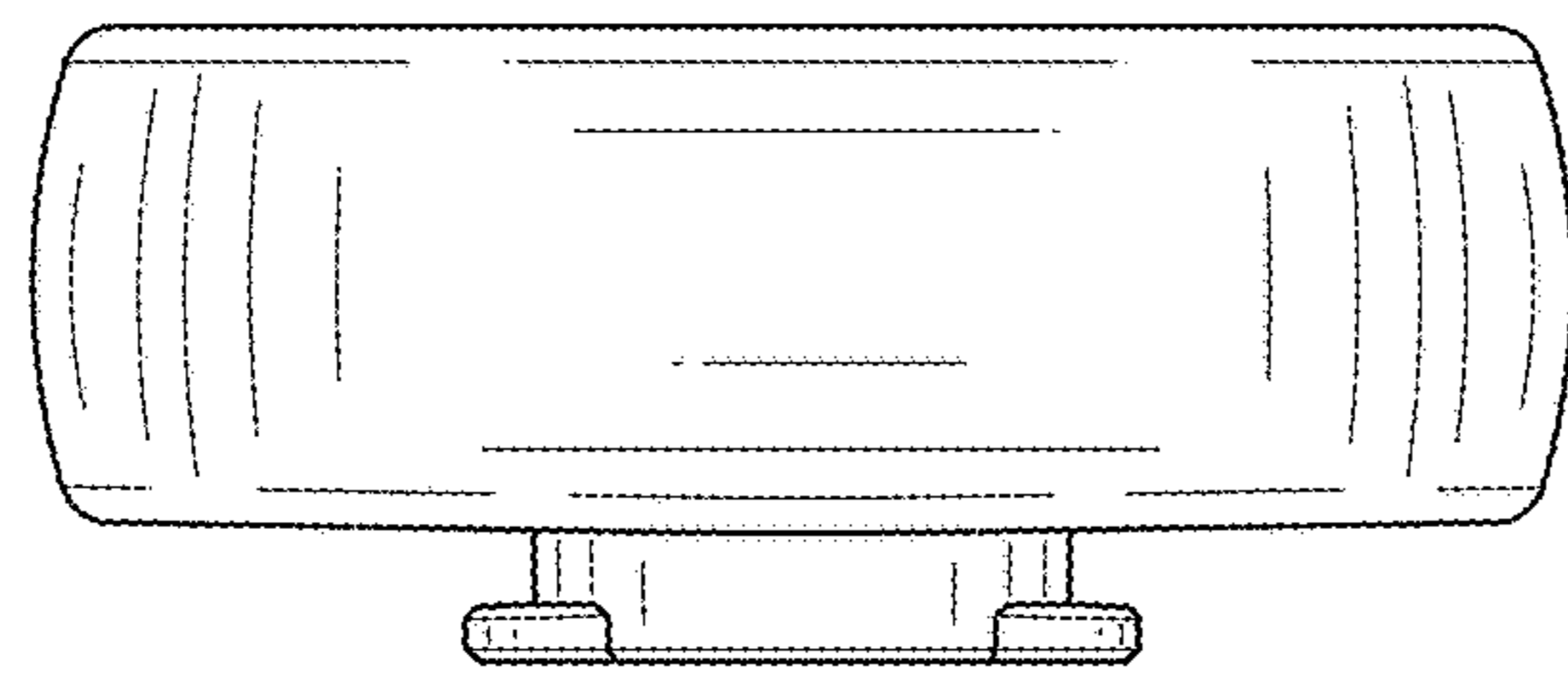


FIG. 5

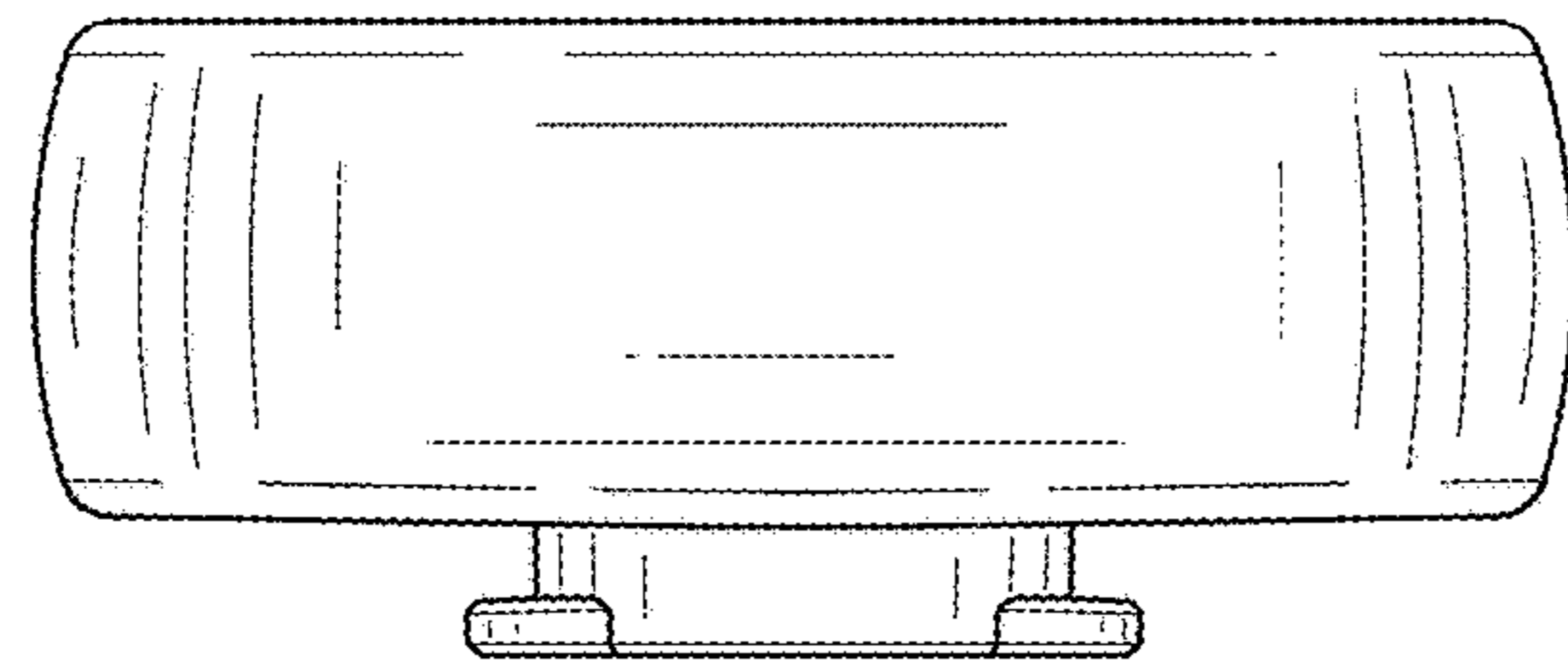


FIG. 6

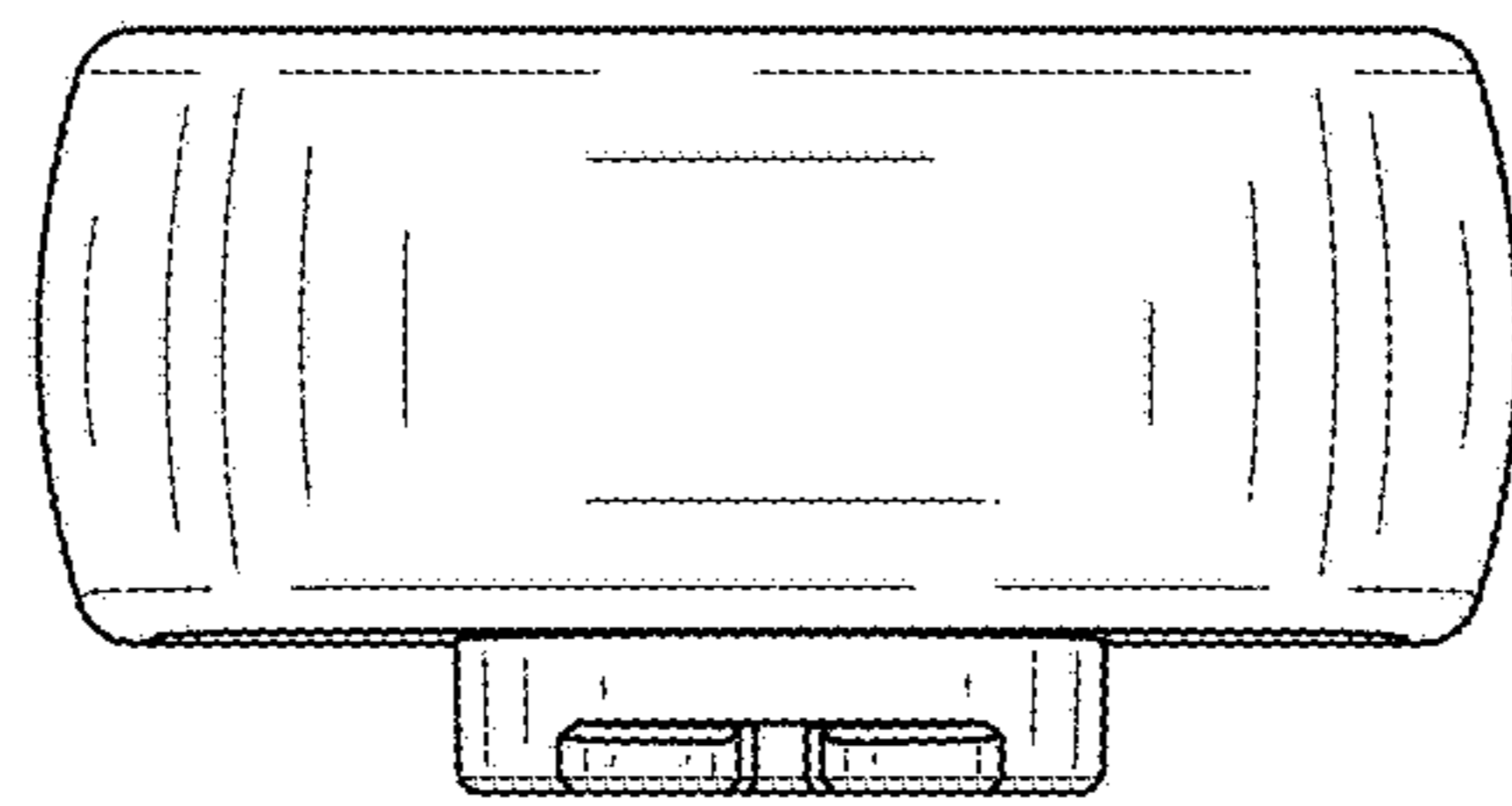


FIG. 7

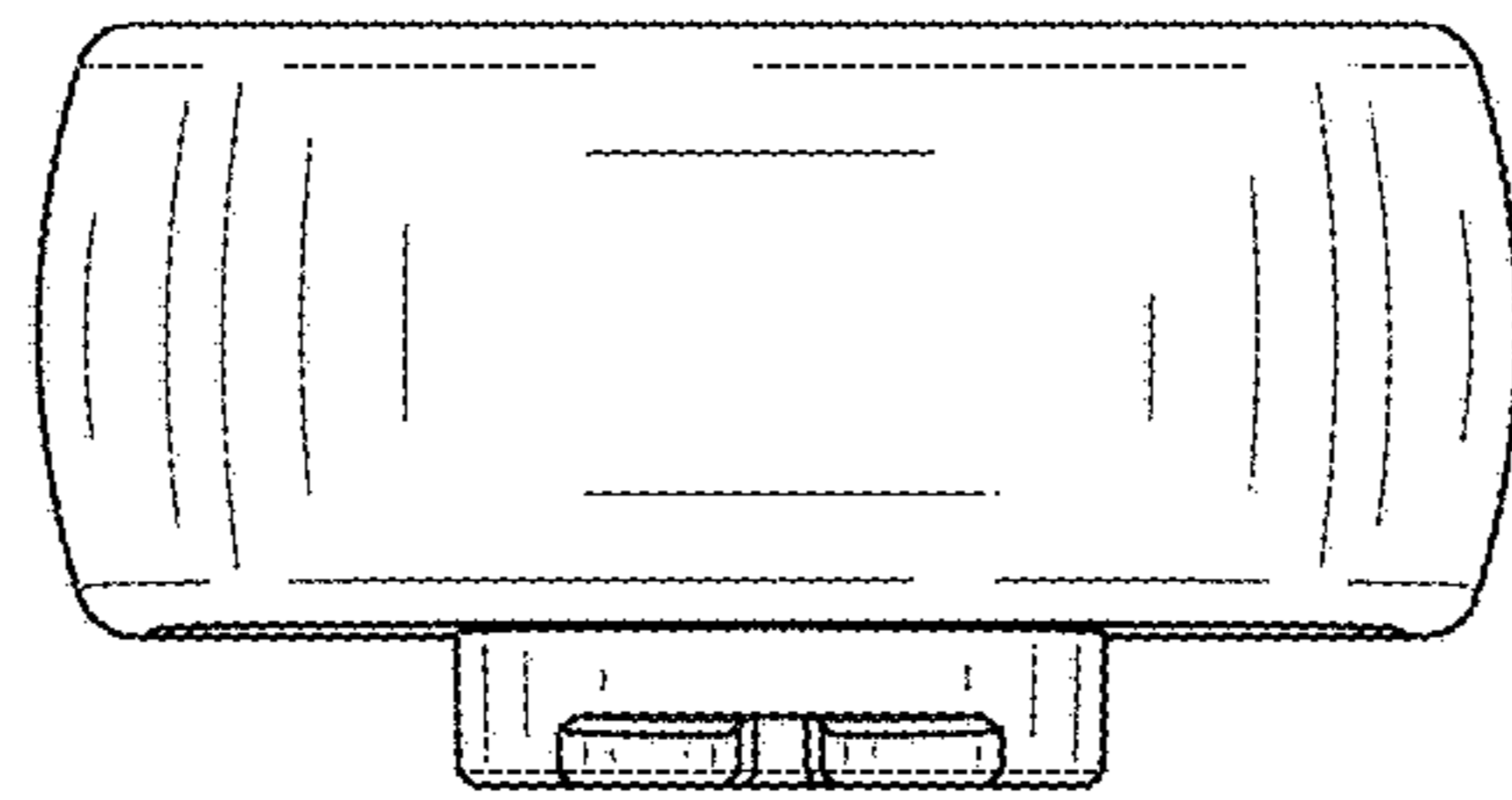


FIG. 8