



US00D865300S

(12) **United States Design Patent**
Fallgatter

(10) **Patent No.:** **US D865,300 S**

(45) **Date of Patent:** **** Oct. 29, 2019**

(54) **INFLATABLE CYCLIDIC MOBILITY ASSIST DEVICE**

(71) Applicant: **James Calvin Fallgatter**, Ridgecrest, CA (US)

(72) Inventor: **James Calvin Fallgatter**, Ridgecrest, CA (US)

(**) Term: **15 Years**

(21) Appl. No.: **29/654,416**

(22) Filed: **Jun. 24, 2018**

(51) **LOC (12) Cl.** **29-02**

(52) **U.S. Cl.**
USPC **D29/124**

(58) **Field of Classification Search**
USPC D29/124; D12/128-133; 5/625-629, 5/636, 484, 499, 691, 891 T; 128/869, 128/870, 845; D24/190, 191; 296/65.03, 296/65.04; 280/15, 18, 19, 158; 441/80, 441/82, 88
CPC A61G 1/00; A61G 1/01; B63C 9/04
See application file for complete search history.

(56) **References Cited**

U.S. PATENT DOCUMENTS

5,709,649	A *	1/1998	Chitwood	A61F 5/04 128/845
5,888,111	A *	3/1999	Walker	B63C 9/04 114/345
D419,495	S *	1/2000	Muhanna	5/706
D592,812	S *	5/2009	Hughes	D29/124
7,607,185	B1 *	10/2009	Minson	A47C 27/081 5/655

7,900,299	B2 *	3/2011	Weedling	A61G 7/103 5/625
8,549,683	B2 *	10/2013	Ratner	A61G 13/121 128/845
8,782,833	B2 *	7/2014	Beurguet	A61G 1/01 128/870
8,850,642	B2 *	10/2014	Rasmussen	A47G 9/1027 297/398

* cited by examiner

Primary Examiner — Randall H Gholson

(57) **CLAIM**

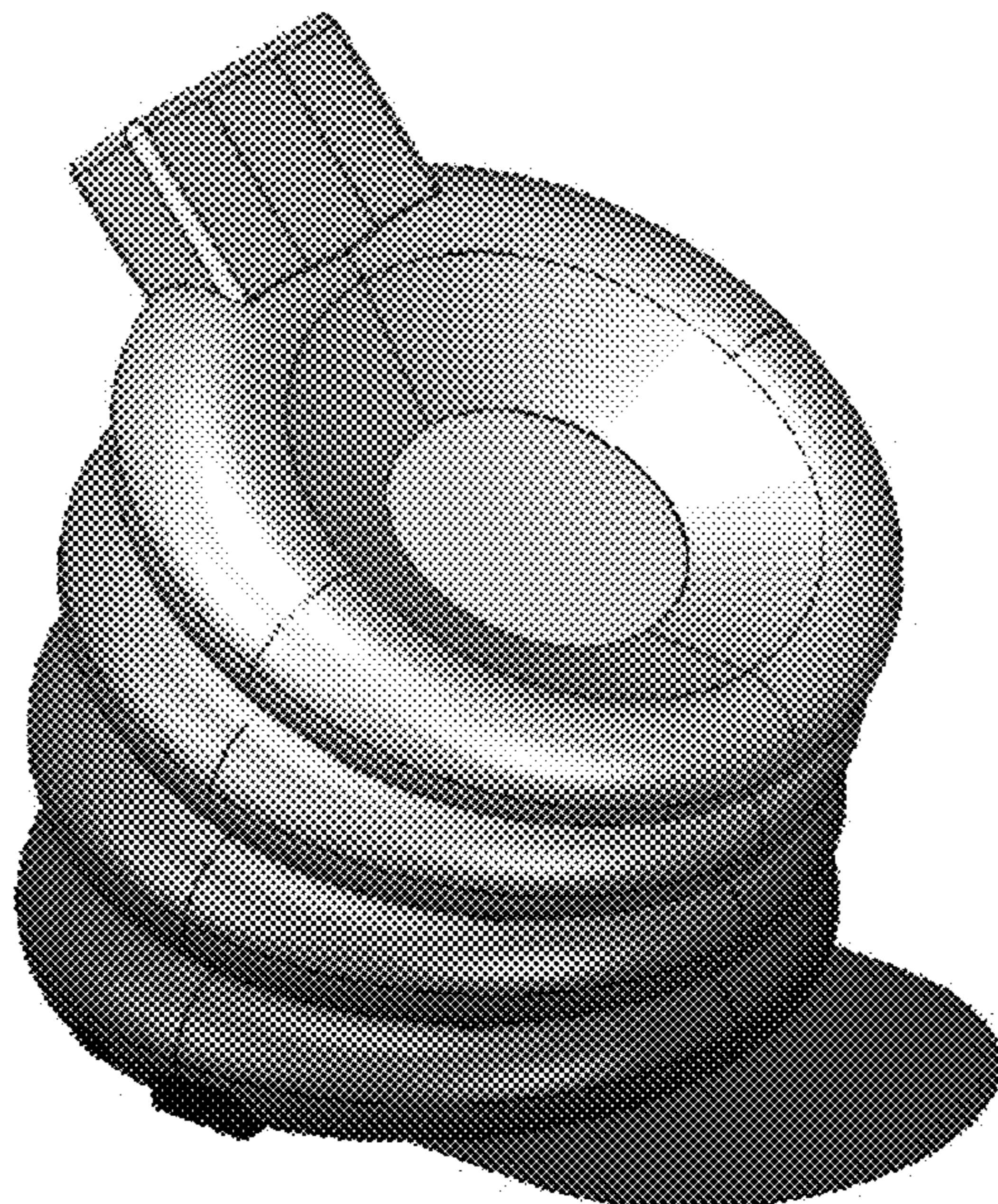
The ornamental design for an inflatable cyclidic mobility assist, device, as shown.

DESCRIPTION

FIG. 1 is a top, front, left side perspective view of an inflatable cyclidic mobility assist device showing my new design;
FIG. 2 is a right side elevational view thereof; the left side being a mirror image thereof;
FIG. 3 is a front elevational view thereof;
FIG. 4 is a back elevational view thereof;
FIG. 5 is a top elevational view thereof; and,
FIG. 6 is a bottom elevational view thereof.

This device is deployed in stages. In the first stage the device is placed in close proximity to the fallen person. In the second stage the person is helped (rolled or scooted) into a supine position on top of the device in its deflated configuration. In the third stage the air bladders are filled lifting the person into a reclining position with legs extended. In the third stage the person is lifted into a sitting position at chair height with feet on the floor. In the fourth stage the person is tilted forward into a standing position.

1 Claim, 6 Drawing Sheets



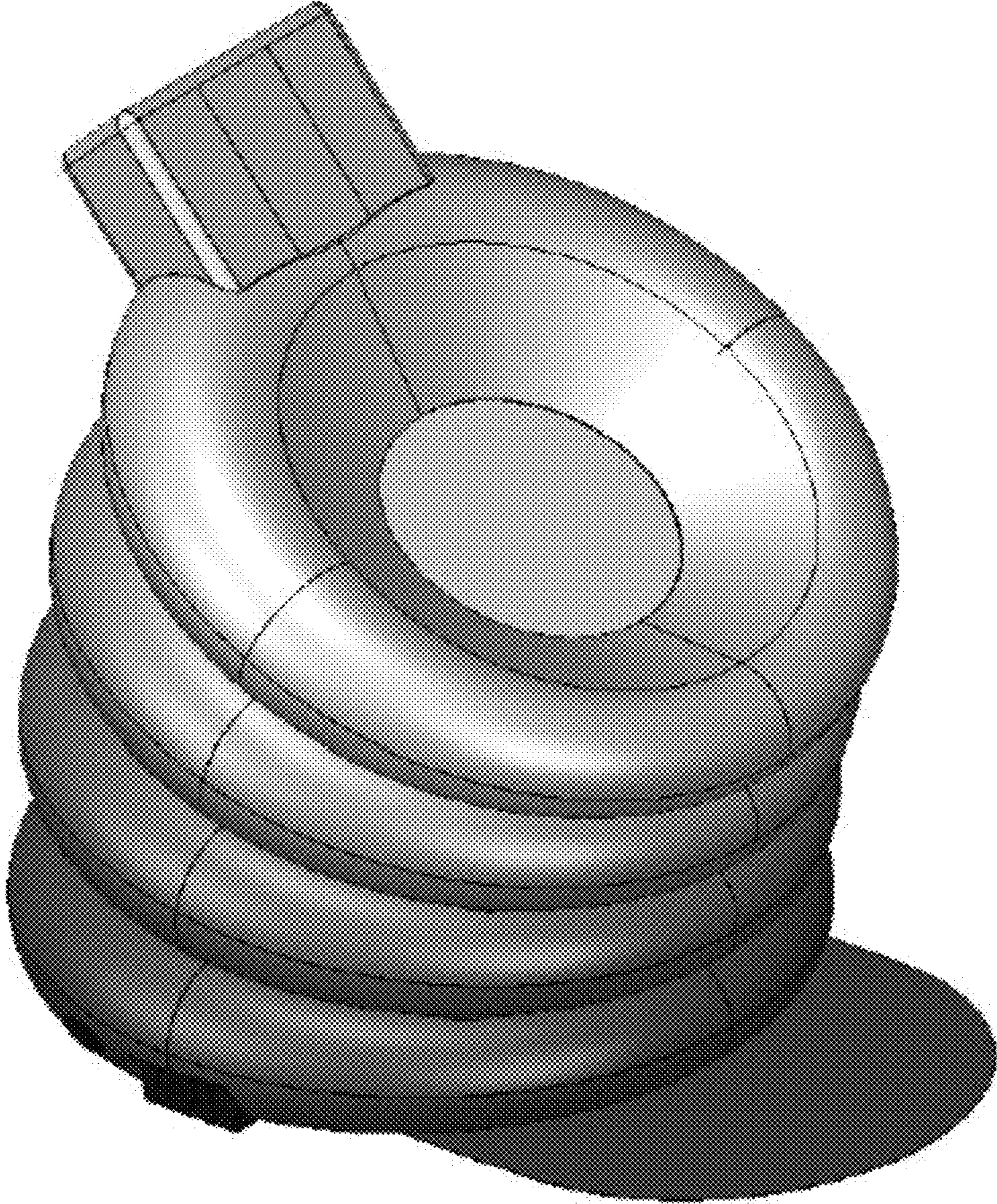


FIG. 1

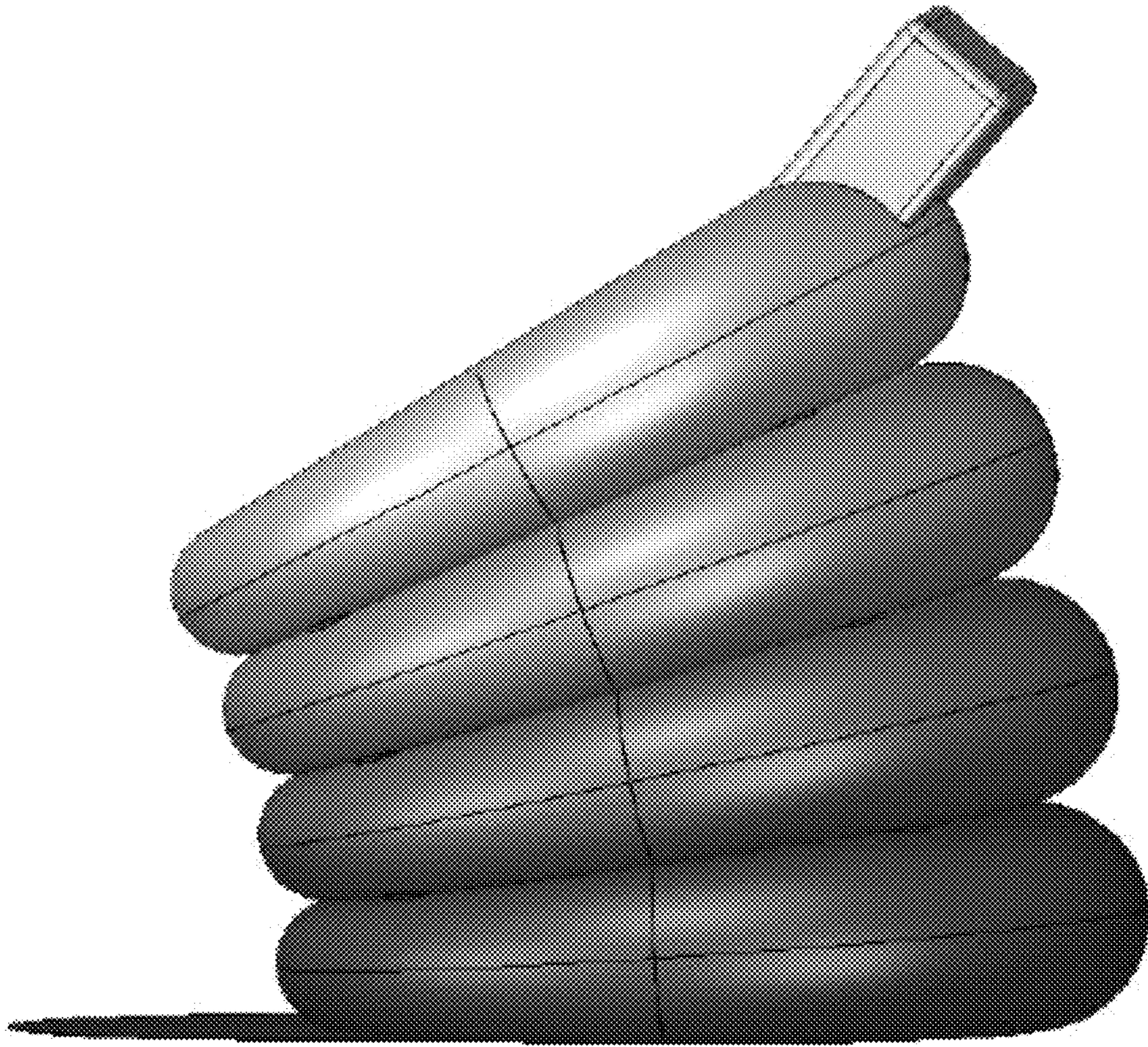


FIG. 2

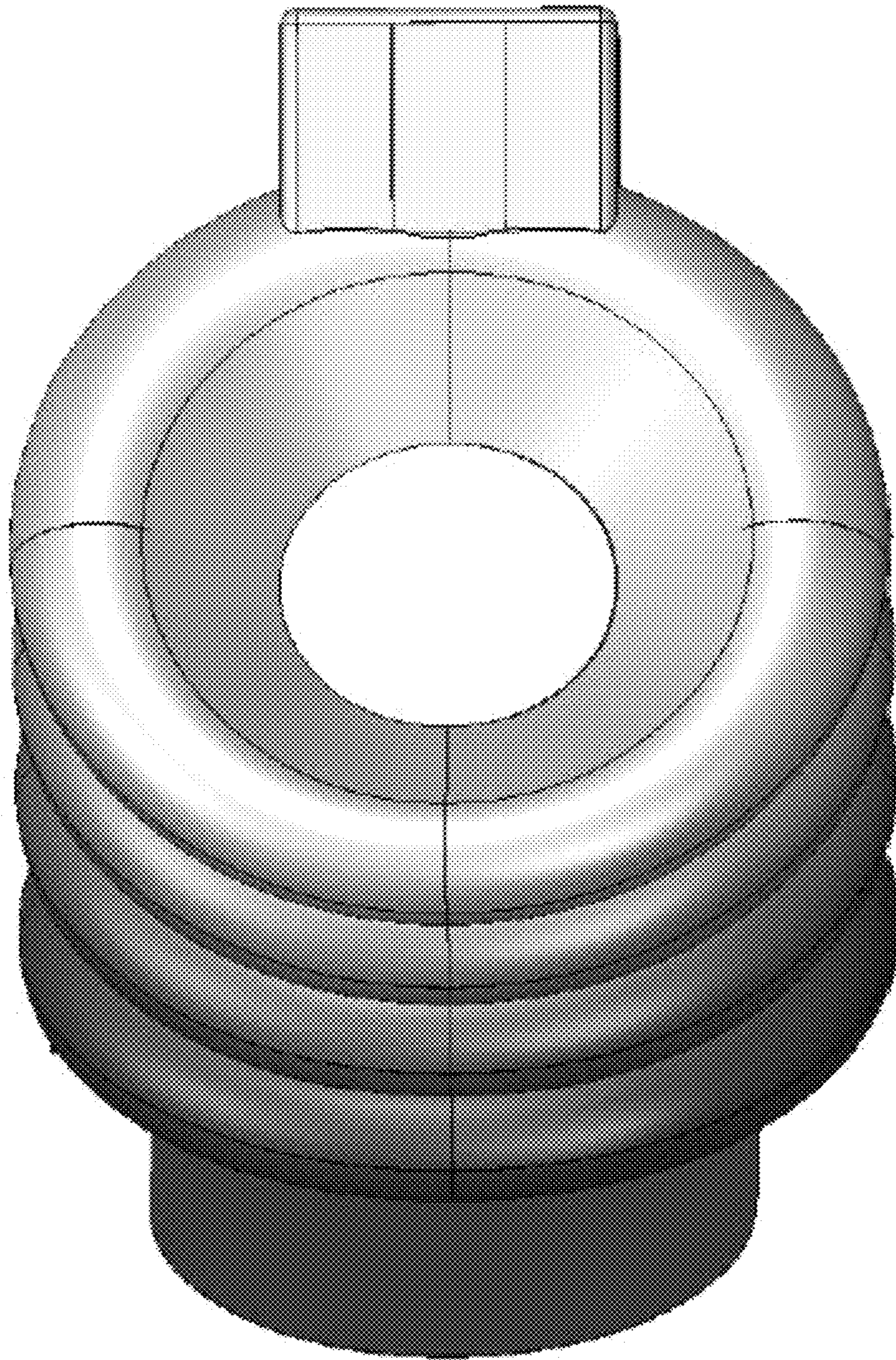


FIG. 3

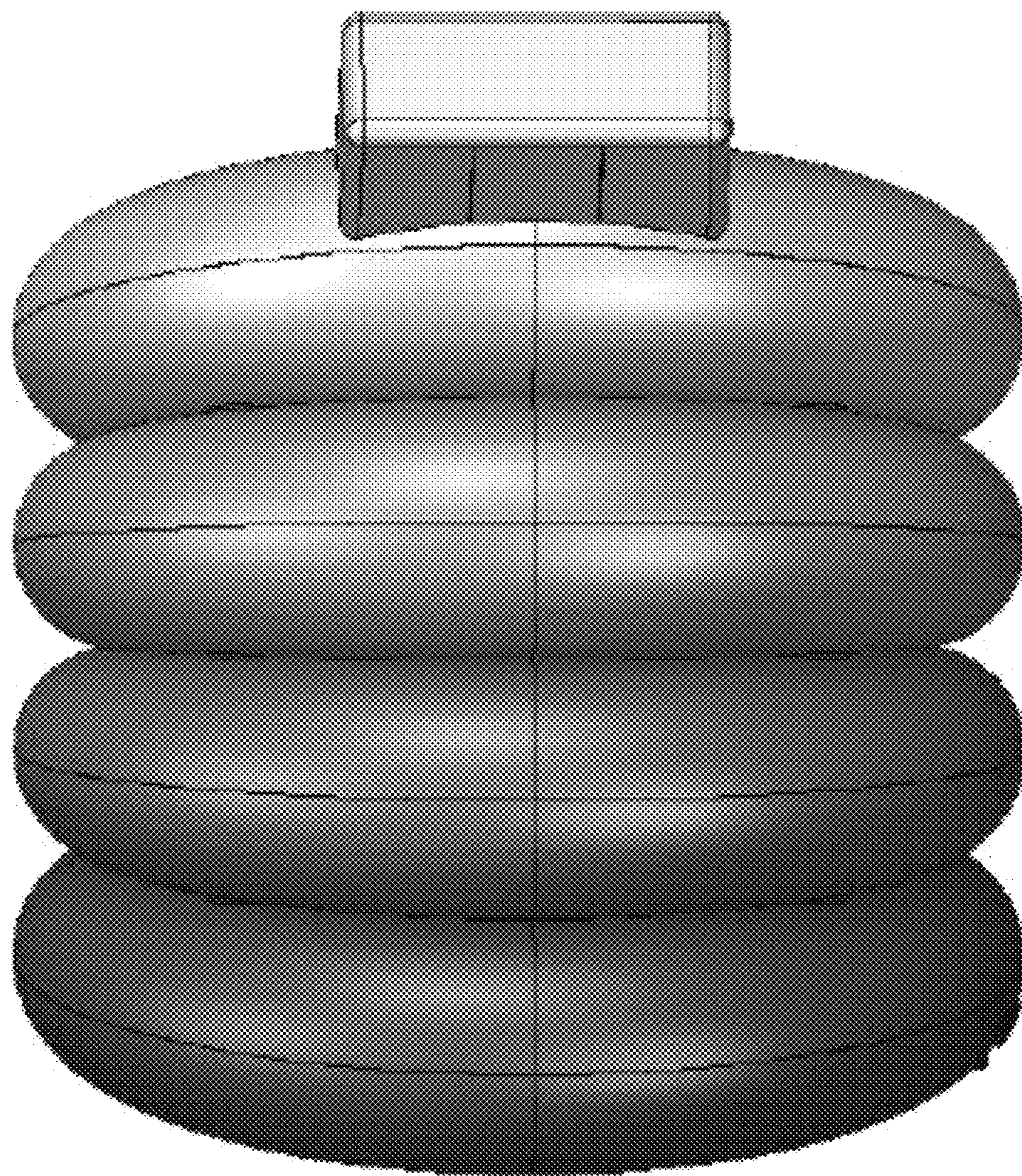


FIG. 4

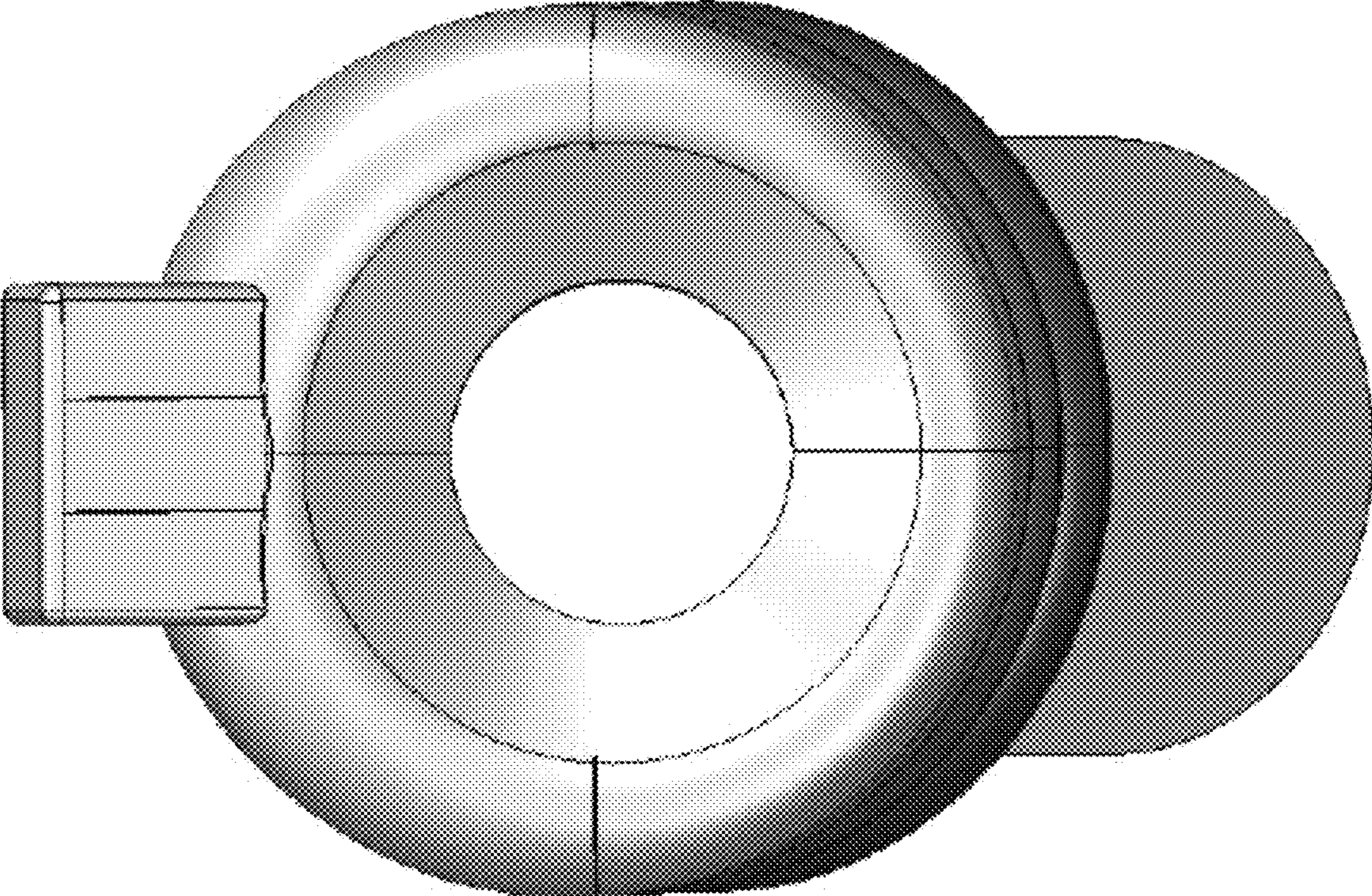


FIG. 5

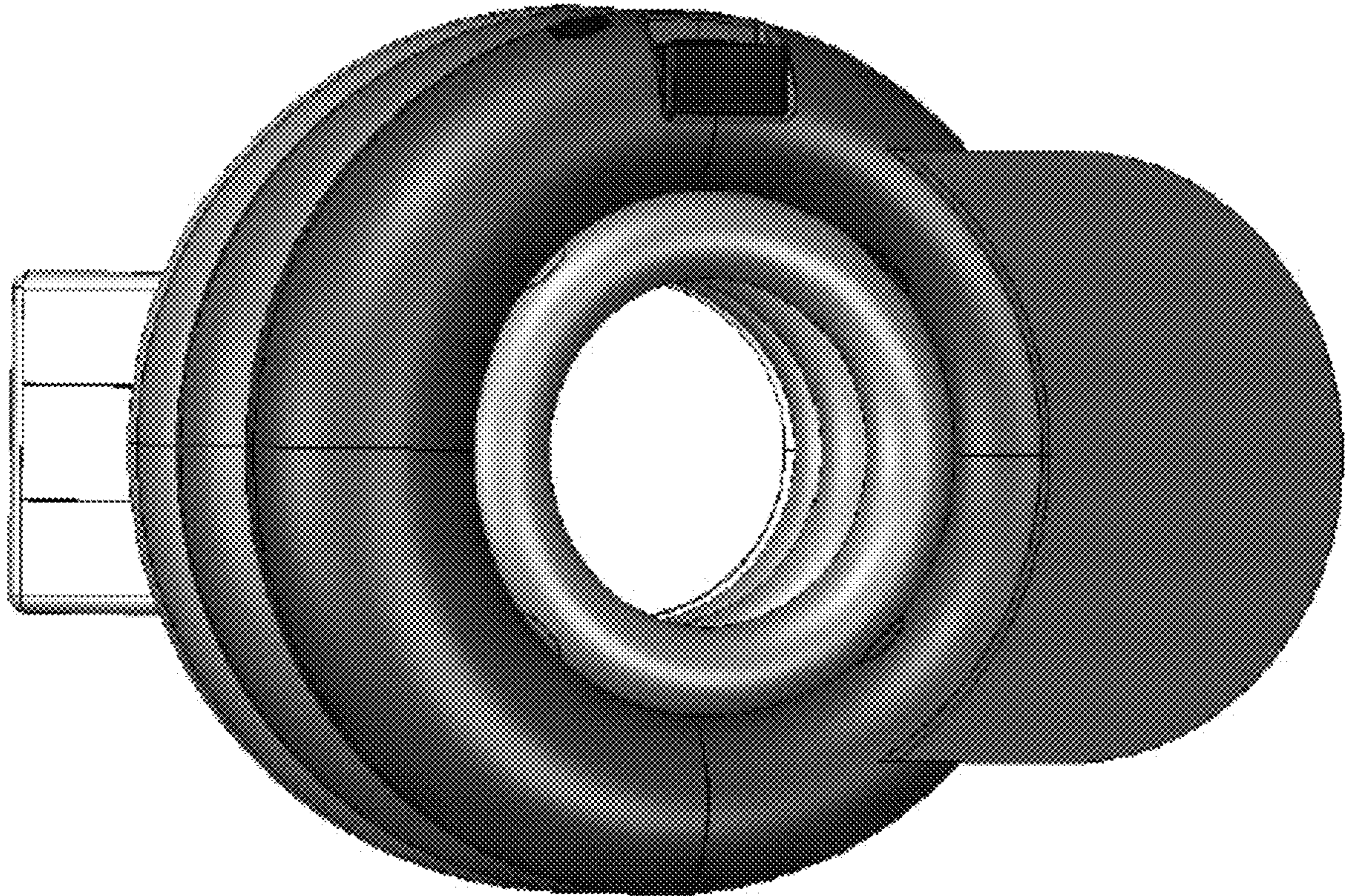


FIG. 6