



US00D865297S

(12) **United States Design Patent**
De Martino

(10) **Patent No.:** **US D865,297 S**

(45) **Date of Patent:** **** Oct. 29, 2019**

(54) **COSMETIC CASE**

(71) Applicant: **Essentia Beauty S.r.l.**, Monza (MB)
(IT)

(72) Inventor: **Katia De Martino**, Monza (IT)

(73) Assignee: **ESSENTIA BEAUTY S.R.L.**, Monza
(MB) (IT)

(**) Term: **15 Years**

(21) Appl. No.: **29/634,868**

(22) Filed: **Jan. 25, 2018**

(30) **Foreign Application Priority Data**

Jul. 31, 2017 (EM) 004128171-0001

(51) **LOC (12) Cl.** **28-03**

(52) **U.S. Cl.**
USPC **D28/85; D9/560**

(58) **Field of Classification Search**
USPC D9/432, 434-436, 452, 516, 529, 530,
D9/544-546, 559, 560, 564, 565,
(Continued)

(56) **References Cited**

U.S. PATENT DOCUMENTS

D357,179 S * 4/1995 Nedstedt D9/417
D508,375 S * 8/2005 Hoour D7/598
(Continued)

Primary Examiner — Ian Simmons

Assistant Examiner — Keith Frank

(74) *Attorney, Agent, or Firm* — Florek & Endres PLLC

(57) **CLAIM**

I claim the ornamental design for a cosmetic case, as shown and described.

DESCRIPTION

FIG. 1 is a perspective view of a design for a first cosmetic case embodiment of the present invention.

FIG. 2 is a top plan view of a design for a first cosmetic case embodiment of the present invention.

FIG. 3 is a bottom plan view of a design for a first cosmetic case embodiment of the present invention.

FIG. 4 is a front elevation view of a design for a first cosmetic case embodiment of the present invention.

FIG. 5 is a rear elevation view of a design for a first cosmetic case embodiment of the present invention.

FIG. 6 is a right side elevation view of a design for a first cosmetic case embodiment of the present invention.

FIG. 7 is a left side elevation view of a design for a first cosmetic case embodiment of the present invention.

FIG. 8 is an exploded perspective view of a design for a first cosmetic case embodiment of the present invention.

FIG. 9 is a top view of the exploded interior portion of a design for a first cosmetic case embodiment of the present invention.

FIG. 10 is a bottom view of the exploded exterior portion of a design for a first cosmetic case embodiment of the present invention.

FIG. 11 is an exploded front view of a design for a first cosmetic case embodiment of the present invention.

FIG. 12 is an exploded rear view of a design for a first cosmetic case embodiment of the present invention.

FIG. 13 is a right side exploded view of a design for a first cosmetic case embodiment of the present invention.

FIG. 14 is a left side exploded view of a design for a first cosmetic case embodiment of the present invention.

FIG. 15 is a top view of the exploded exterior portion of a design for a first cosmetic case embodiment of the present invention.

FIG. 16 is a bottom view of the exploded interior portion of a design for a first cosmetic case embodiment of the present invention.

FIG. 17 is a perspective view of a design for a second cosmetic case embodiment of the present invention.

FIG. 18 is a top plan view of a design for a second cosmetic case embodiment of the present invention.

FIG. 19 is a bottom plan view of a design for a second cosmetic case embodiment of the present invention.

FIG. 20 is a front elevation view of a design for a second cosmetic case embodiment of the present invention.

(Continued)

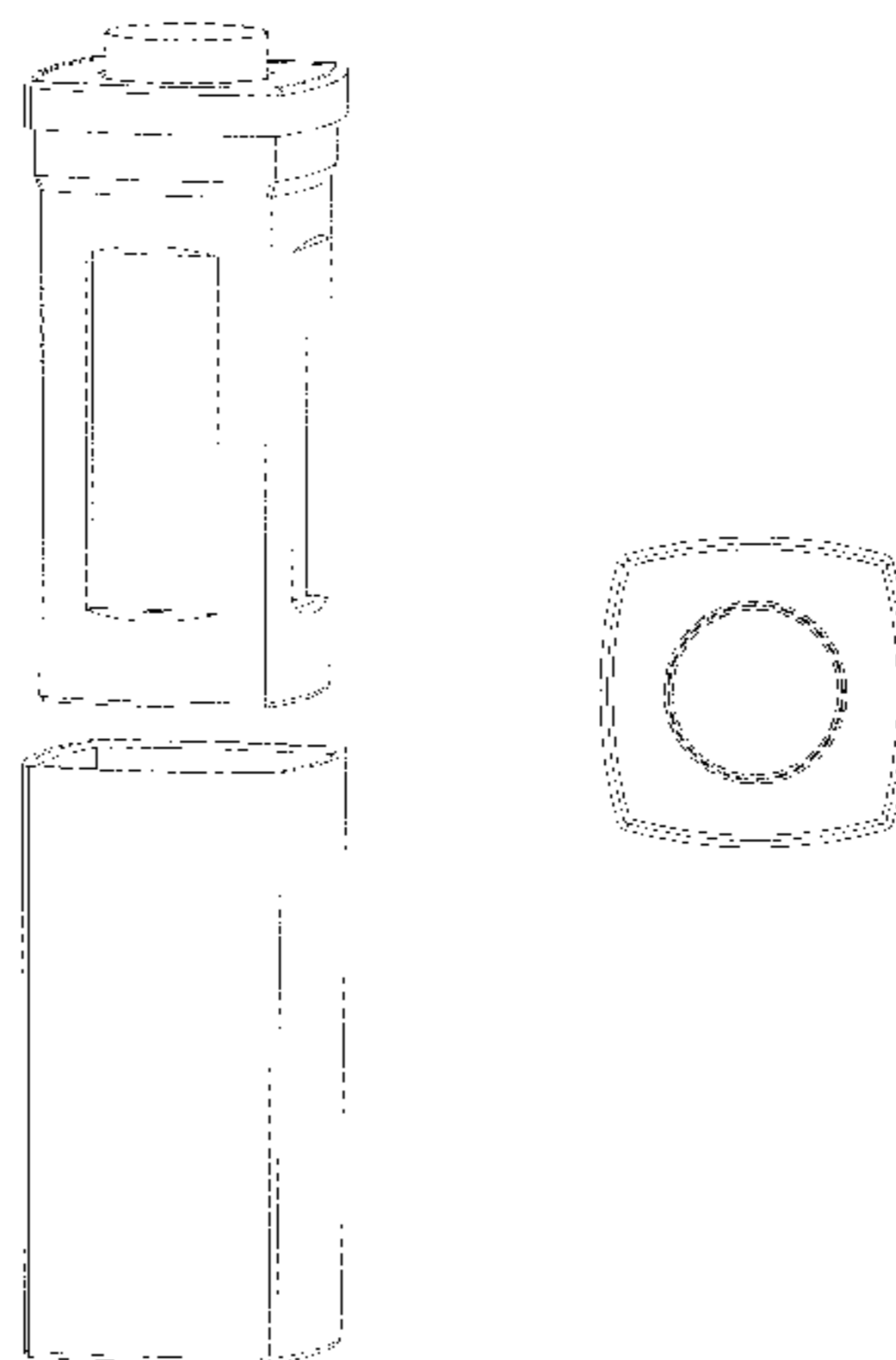


FIG. 21 is a rear elevation view of a design for a second cosmetic case embodiment of the present invention.
 FIG. 22 is a right side elevation view of a design for a second cosmetic case embodiment of the present invention.
 FIG. 23 is a left side elevation view of a design for a second cosmetic case embodiment of the present invention.
 FIG. 24 is an exploded perspective view of a design for a second cosmetic case embodiment of the present invention.
 FIG. 25 is a top view of the exploded interior portion of a design for a second cosmetic case embodiment of the present invention.
 FIG. 26 is a bottom view of the exploded exterior portion of a design for a second cosmetic case embodiment of the present invention.
 FIG. 27 is an exploded front view of a design for a second cosmetic case embodiment of the present invention.
 FIG. 28 is an exploded rear view of a design for a second cosmetic case embodiment of the present invention.
 FIG. 29 is a right side exploded view of a design for a second cosmetic case embodiment of the present invention.
 FIG. 30 is a left side exploded view of a design for a second cosmetic case embodiment of the present invention.
 FIG. 31 is a top view of the exploded exterior portion of a design for a second cosmetic case embodiment of the present invention.
 FIG. 32 is a bottom view of the exploded interior portion of a design for a second cosmetic case embodiment of the present invention.
 FIG. 33 is a perspective view of a design for a third cosmetic case embodiment of the present invention.
 FIG. 34 is a top plan view of a design for a third cosmetic case embodiment of the present invention.
 FIG. 35 is a bottom plan view of a design for a third cosmetic case embodiment of the present invention.
 FIG. 36 is a front elevation view of a design for a third cosmetic case embodiment of the present invention.
 FIG. 37 is a rear elevation view of a design for a third cosmetic case embodiment of the present invention.
 FIG. 38 is a right side elevation view of a design for a third cosmetic case embodiment of the present invention.
 FIG. 39 is a left side elevation view of a design for a third cosmetic case embodiment of the present invention.
 FIG. 40 is an exploded perspective view of a design for a third cosmetic case embodiment of the present invention.
 FIG. 41 is a top view of the exploded interior portion of a design for a third cosmetic case embodiment of the present invention.

FIG. 42 is a bottom view of the exploded exterior portion of a design for a third cosmetic case embodiment of the present invention.
 FIG. 43 is an exploded front view of a design for a third cosmetic case embodiment of the present invention.
 FIG. 44 is an exploded rear view of a design for a third cosmetic case embodiment of the present invention.
 FIG. 45 is a right side exploded view of a design for a third cosmetic case embodiment of the present invention.
 FIG. 46 is a left side exploded view of a design for a third cosmetic case embodiment of the present invention.
 FIG. 47 is a top view of the exploded exterior portion of a design for a third cosmetic case embodiment of the present invention; and,
 FIG. 48 is a bottom view of the exploded interior portion of a design for a third cosmetic case embodiment of the present invention.
 The broken lines in the drawings represent unclaimed features.

1 Claim, 48 Drawing Sheets

(58) **Field of Classification Search**

USPC D9/570-575, 715, 719; D28/76, 77, 83, D28/85
 CPC B65D 21/0204; B65D 2501/0081; B65D 1/0223; B65D 25/18; B65D 25/2897
 See application file for complete search history.

(56) **References Cited**

U.S. PATENT DOCUMENTS

D511,454	S	*	11/2005	Stillerud	D9/560
D526,206	S	*	8/2006	Varlet	D9/560
D571,219	S	*	6/2008	McCoy	D9/544
D590,720	S	*	4/2009	Oates	D9/560
D592,966	S	*	5/2009	Nissen	D9/560
D719,457	S	*	12/2014	Perez-Cabrera	D9/560
D736,642	S	*	8/2015	Maskell	D9/572
D785,458	S	*	5/2017	Futagami	D9/529
D800,566	S	*	10/2017	Wieland	D9/529
D808,280	S	*	1/2018	Nagata	D9/560
D821,821	S	*	7/2018	Zoske	D7/579
D821,869	S	*	7/2018	Cheng	D9/424
D824,223	S	*	7/2018	Zoske	D7/679
D833,879	S	*	11/2018	Staab	D9/529

* cited by examiner

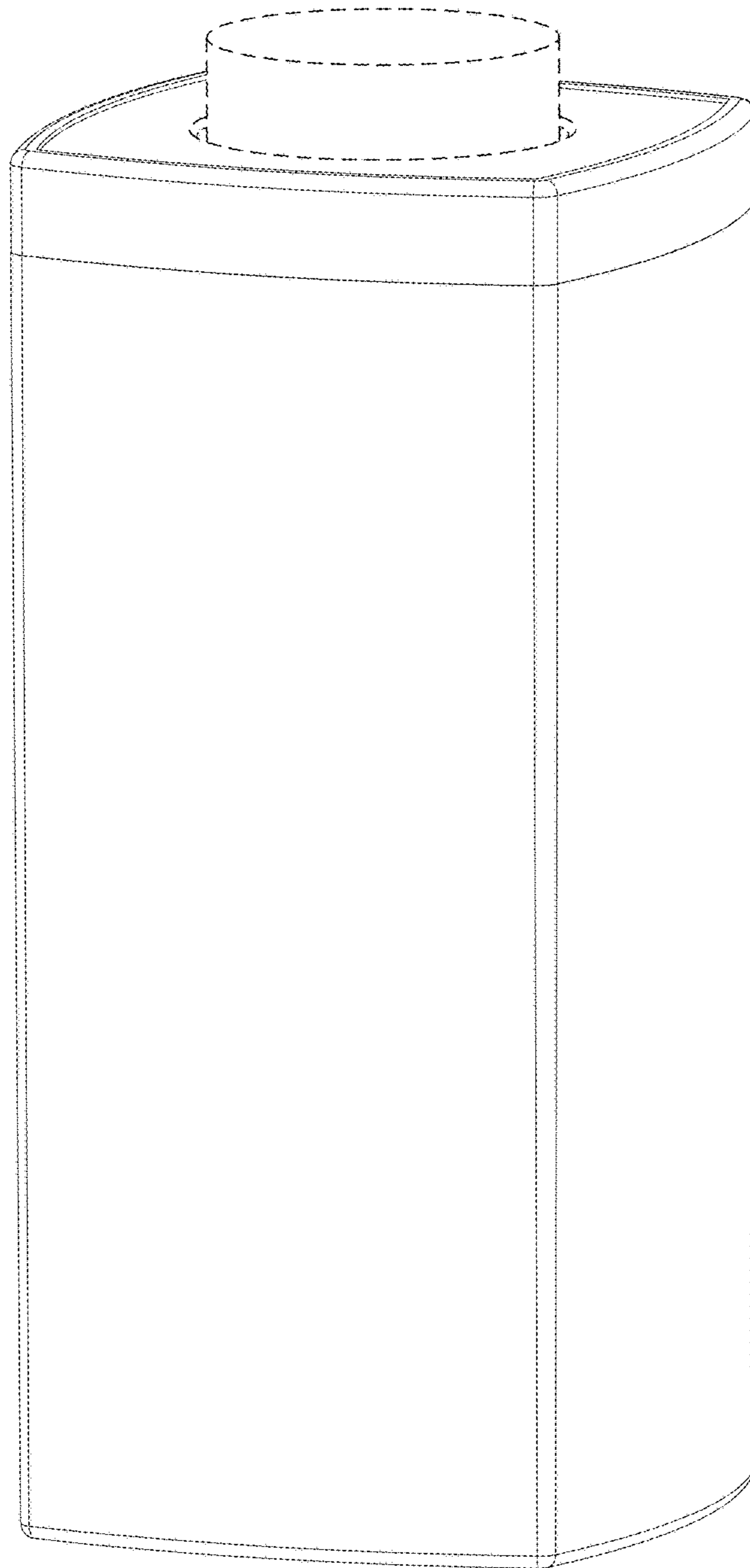


FIG. 1

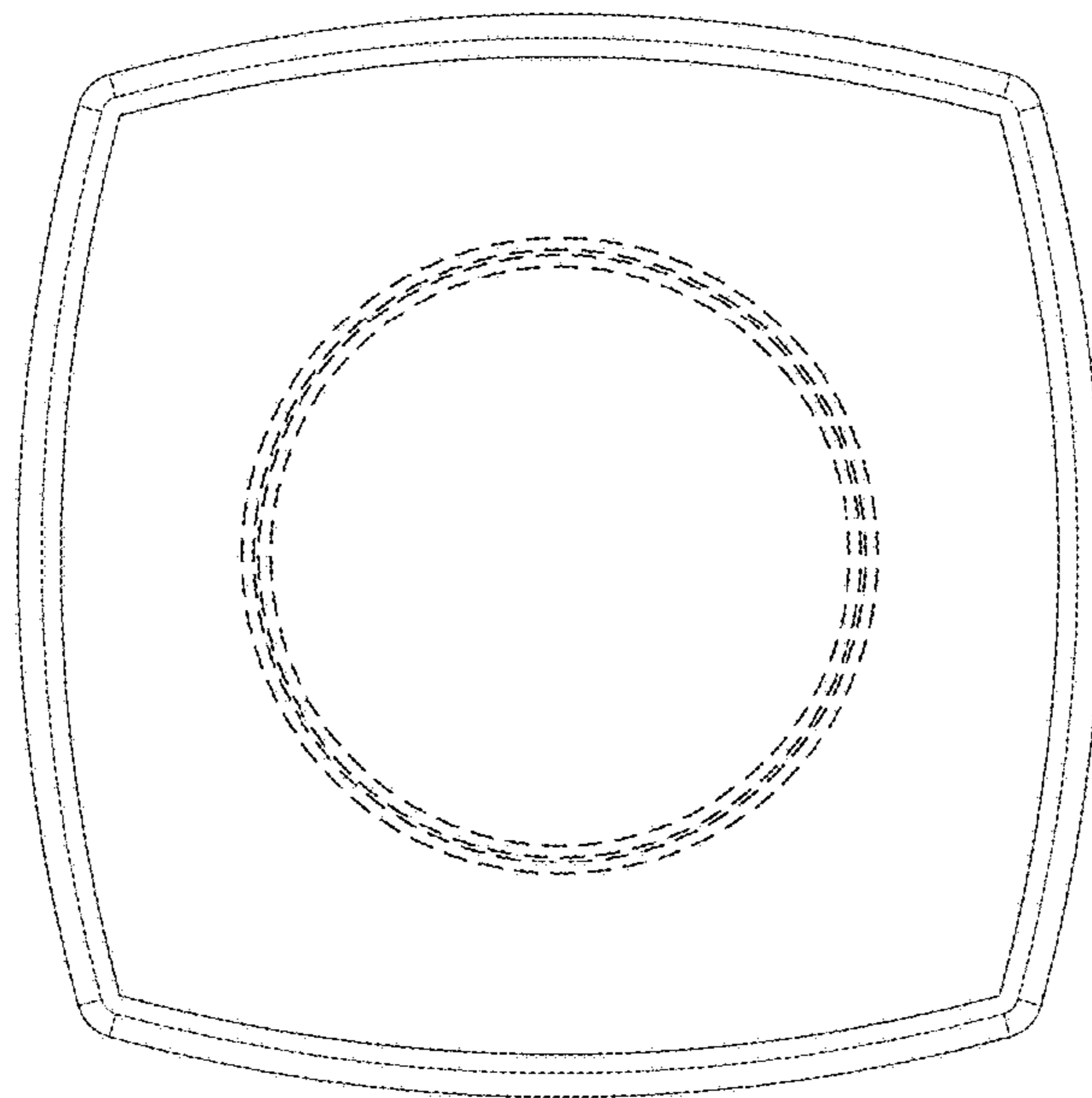


FIG. 2

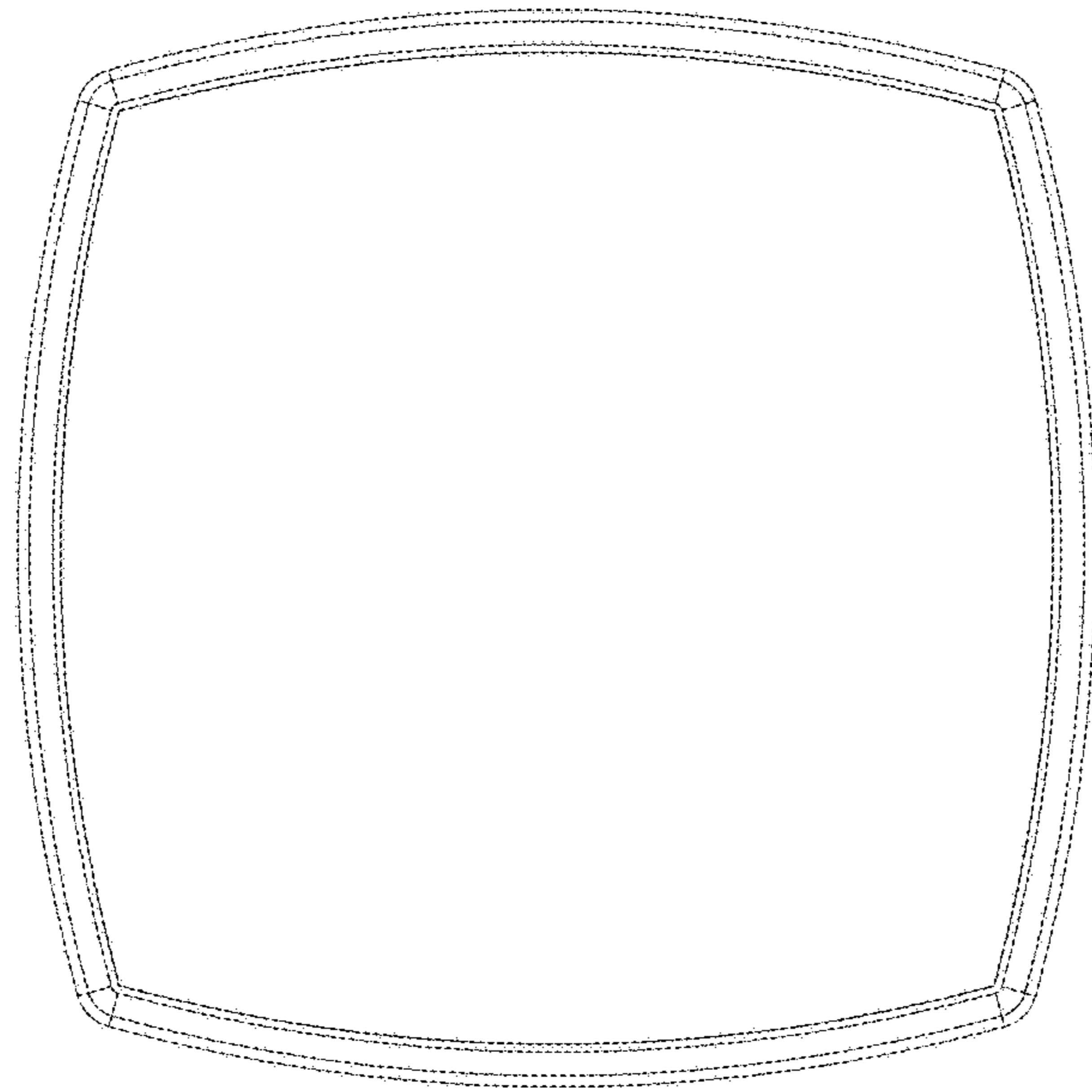


FIG.3

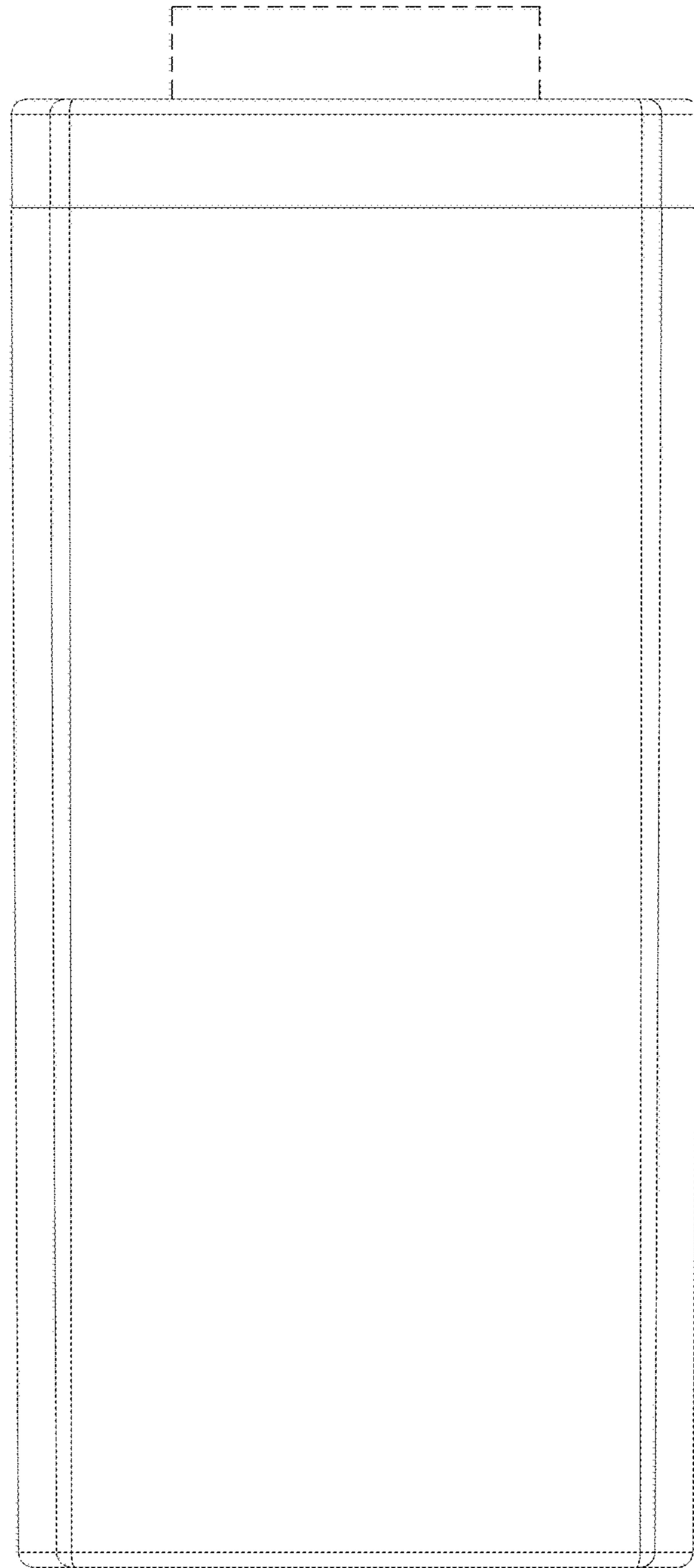


FIG. 4

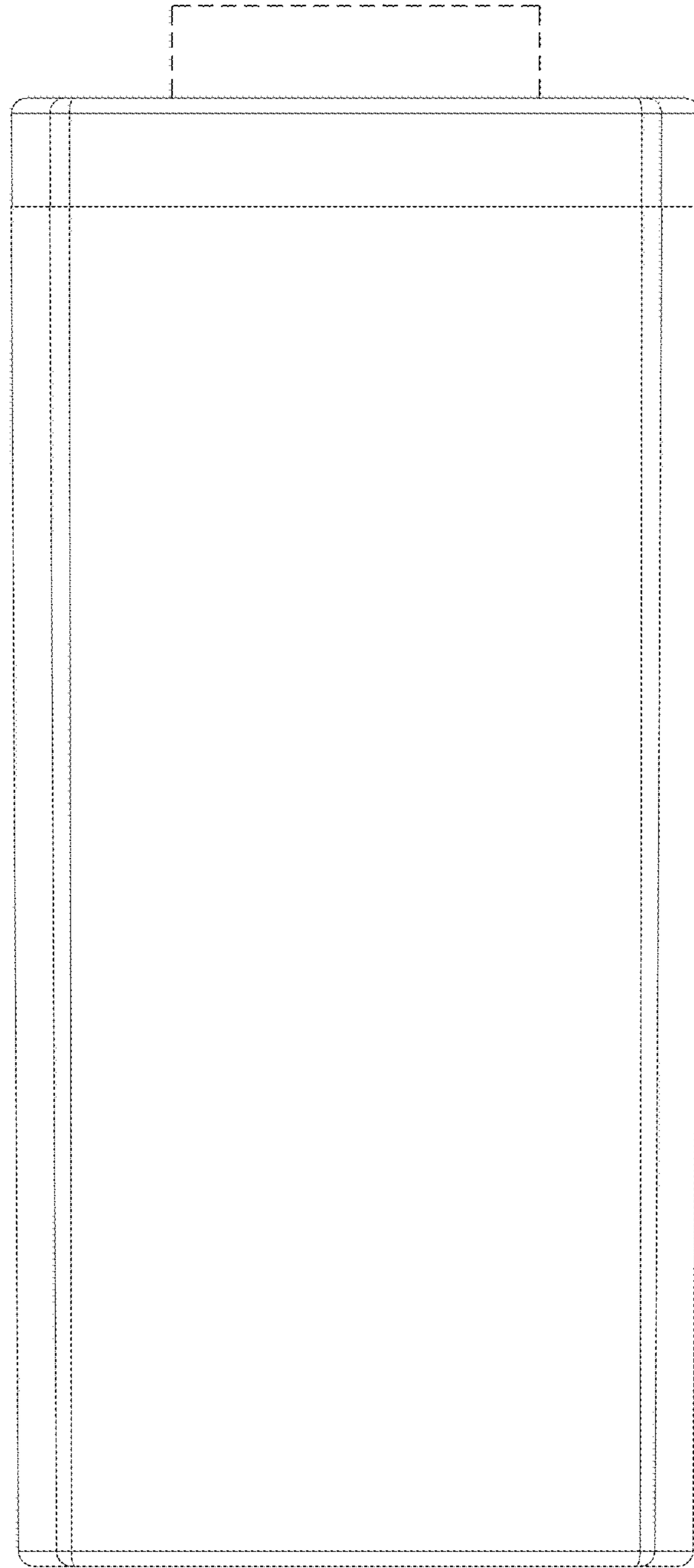


FIG.5

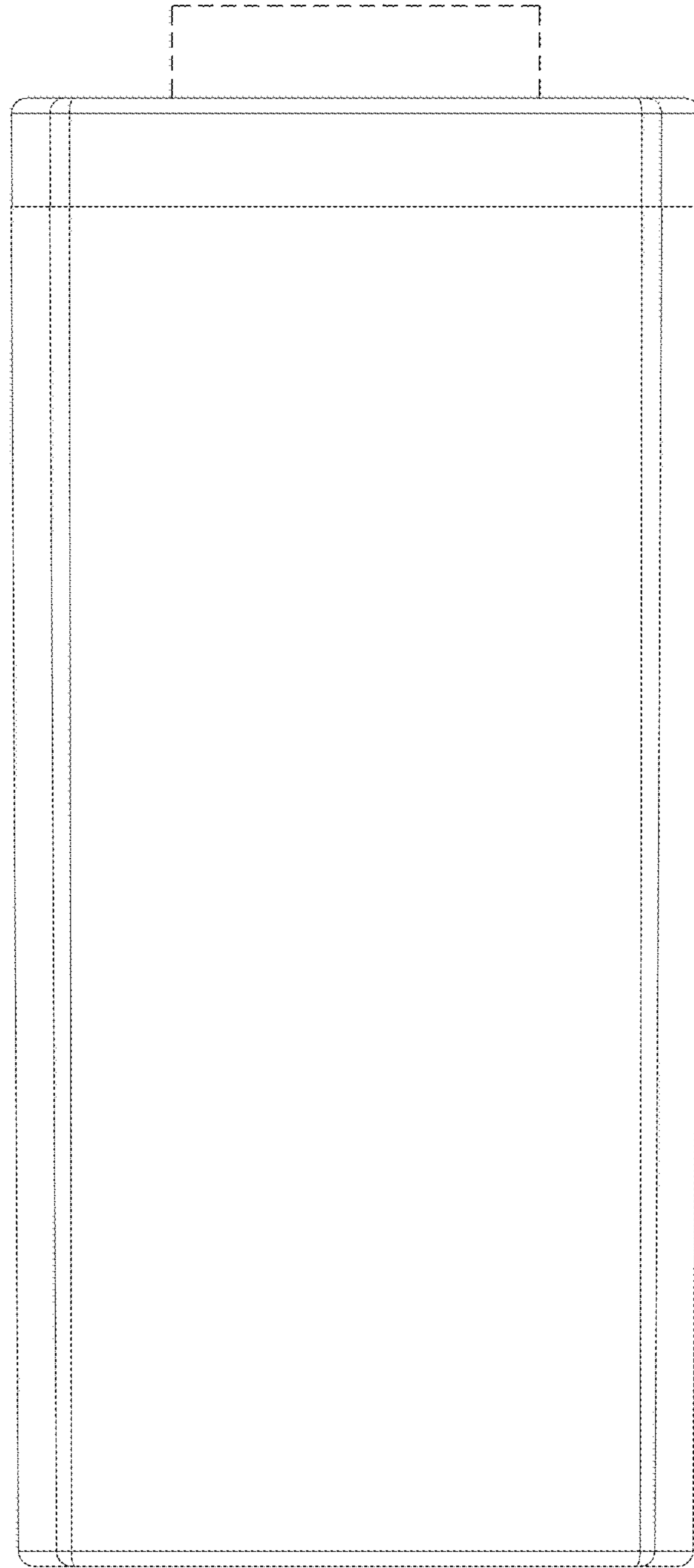


FIG.6

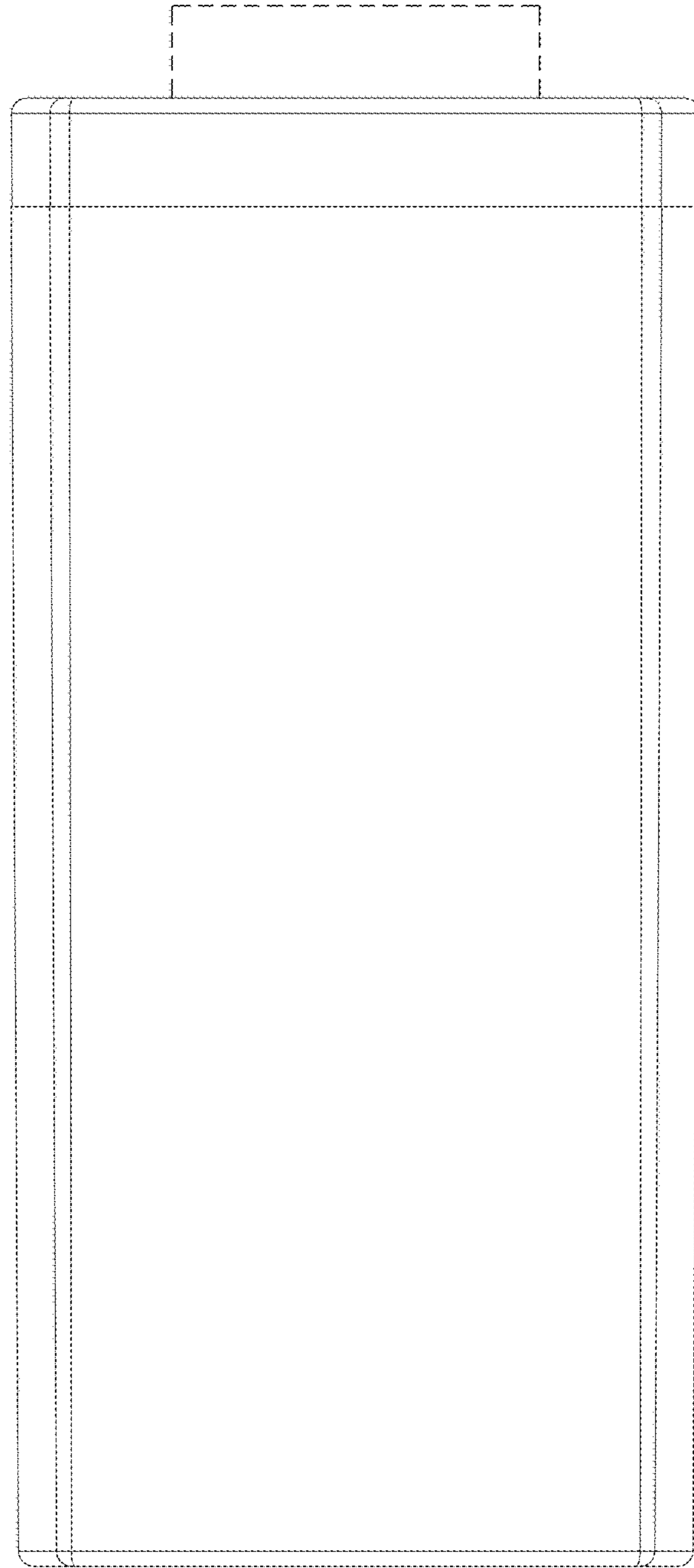


FIG.7

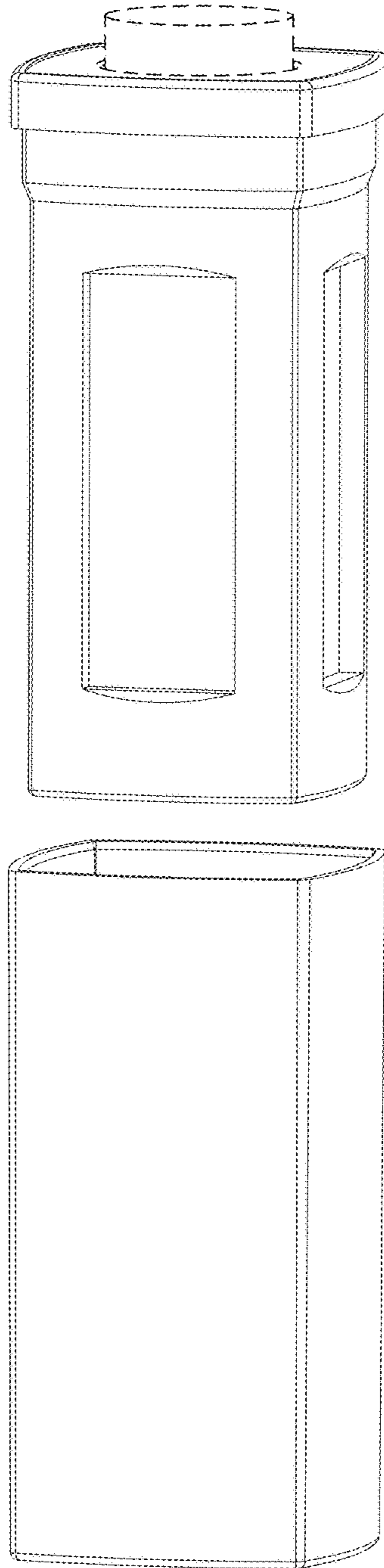


FIG.8

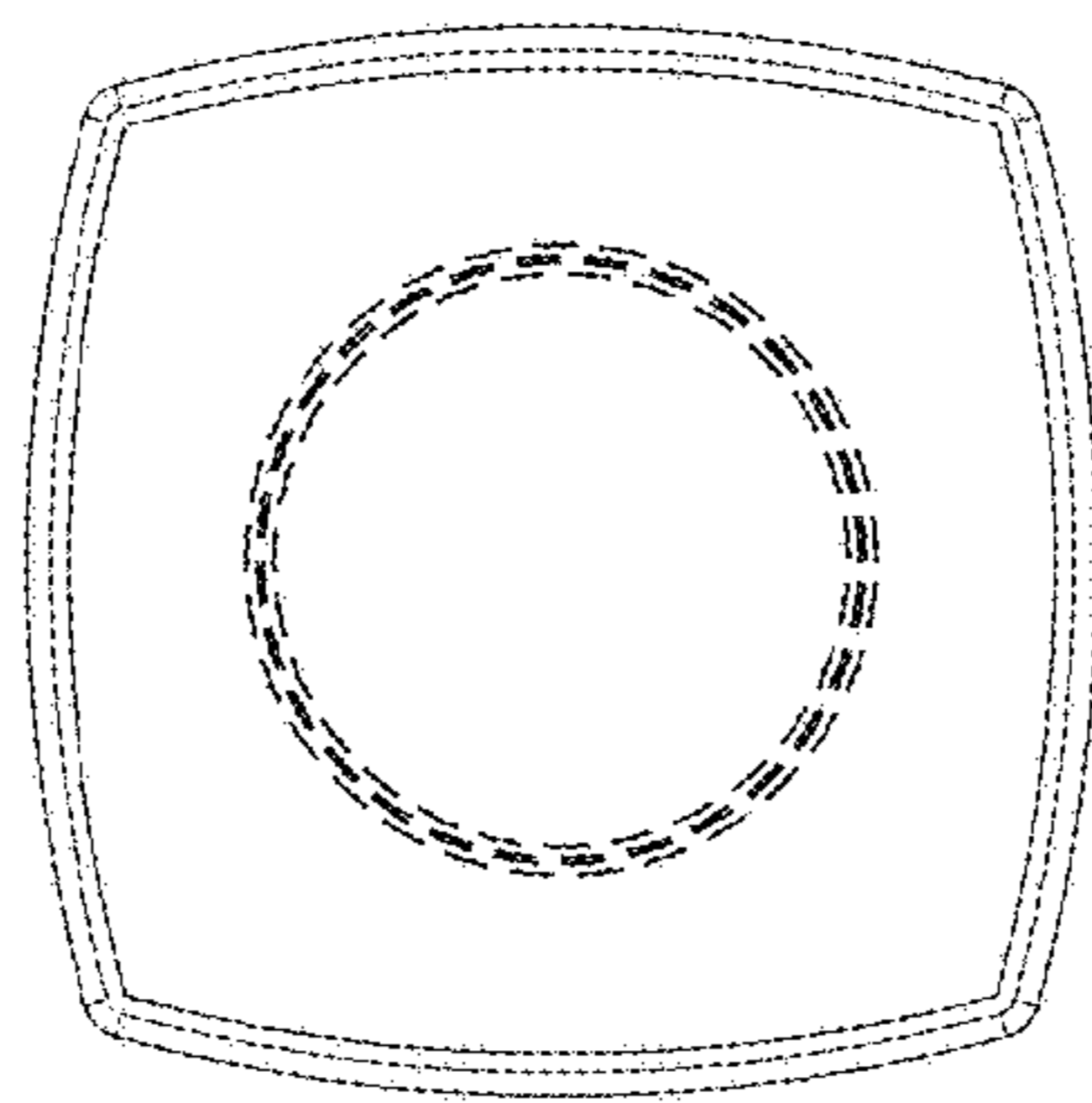


FIG.9

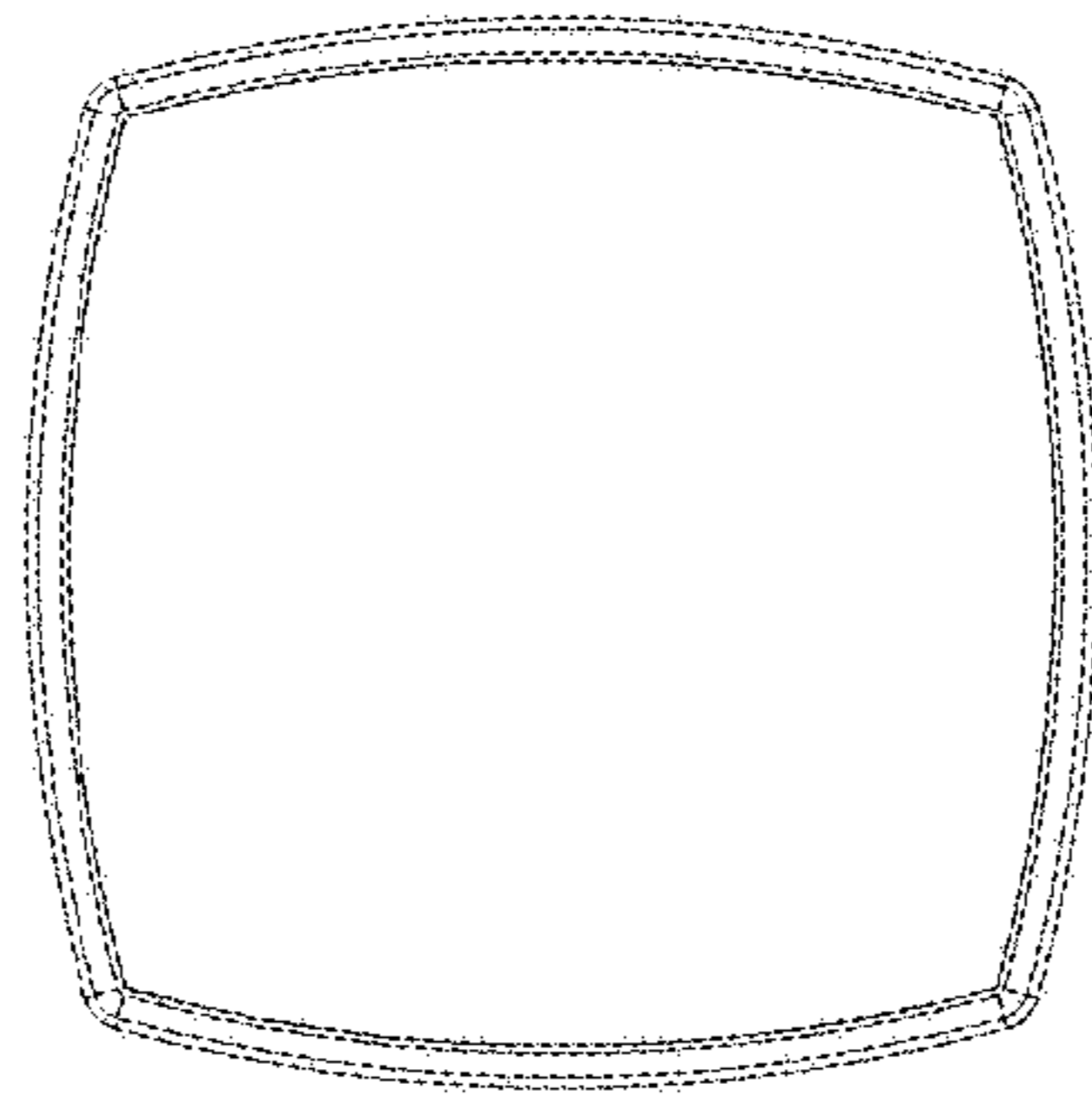


FIG.10

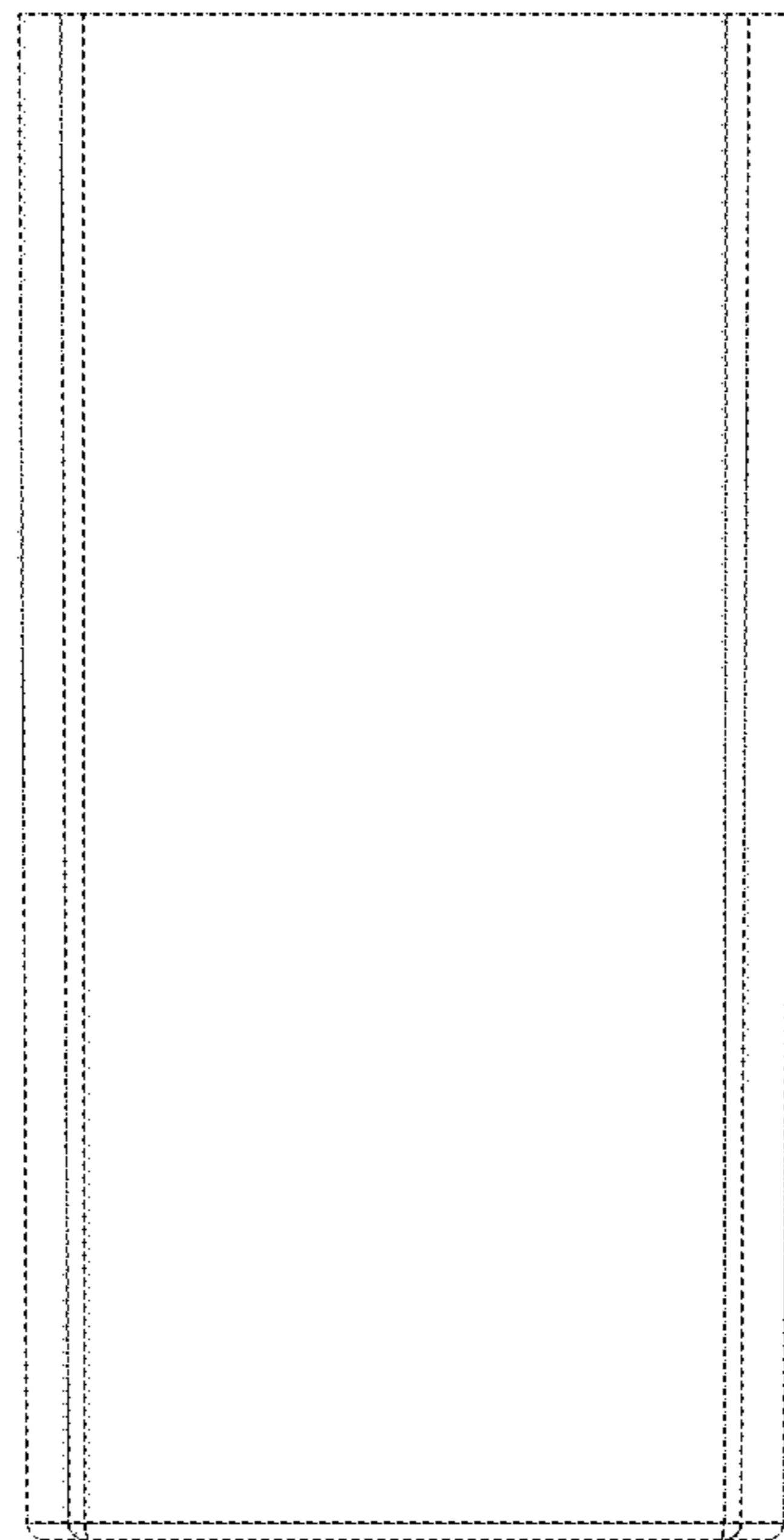
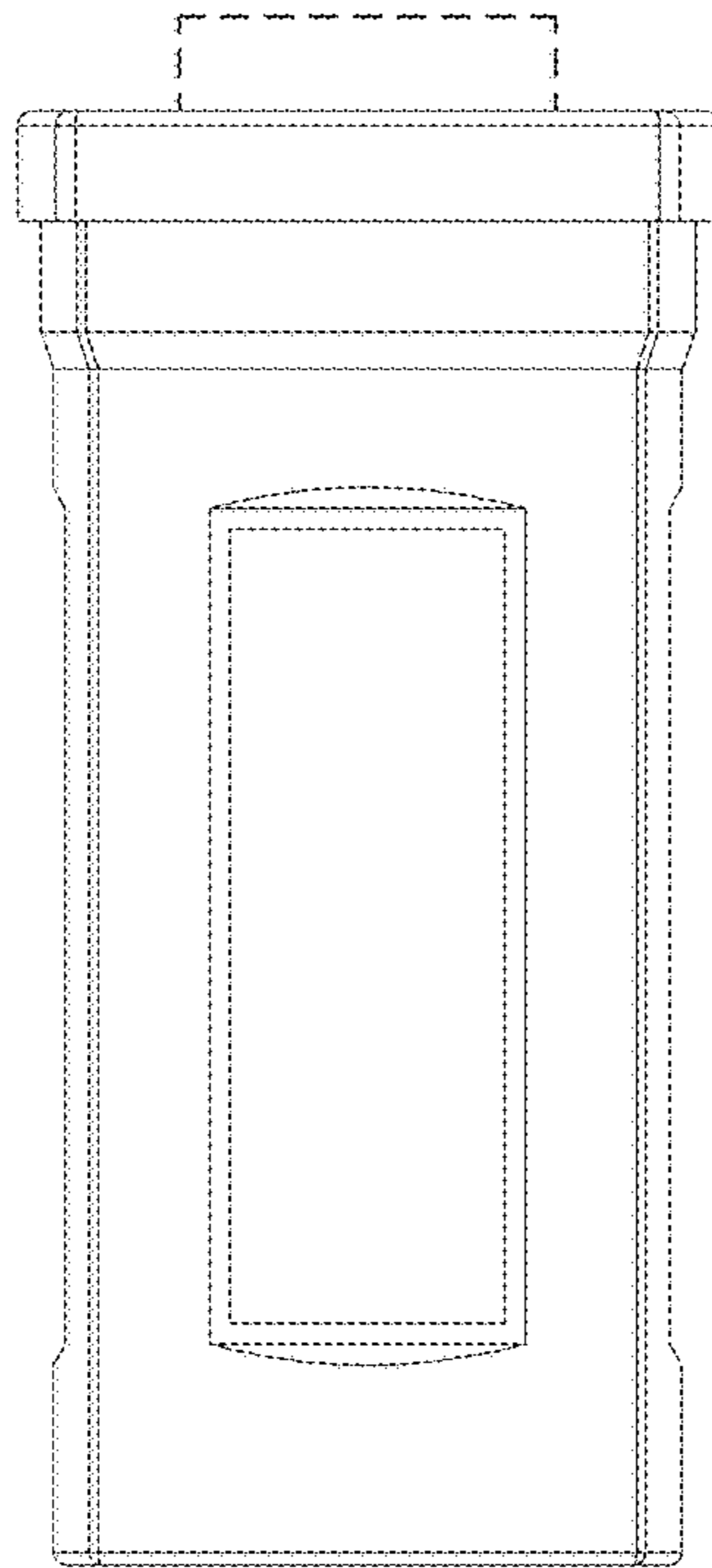


FIG.11

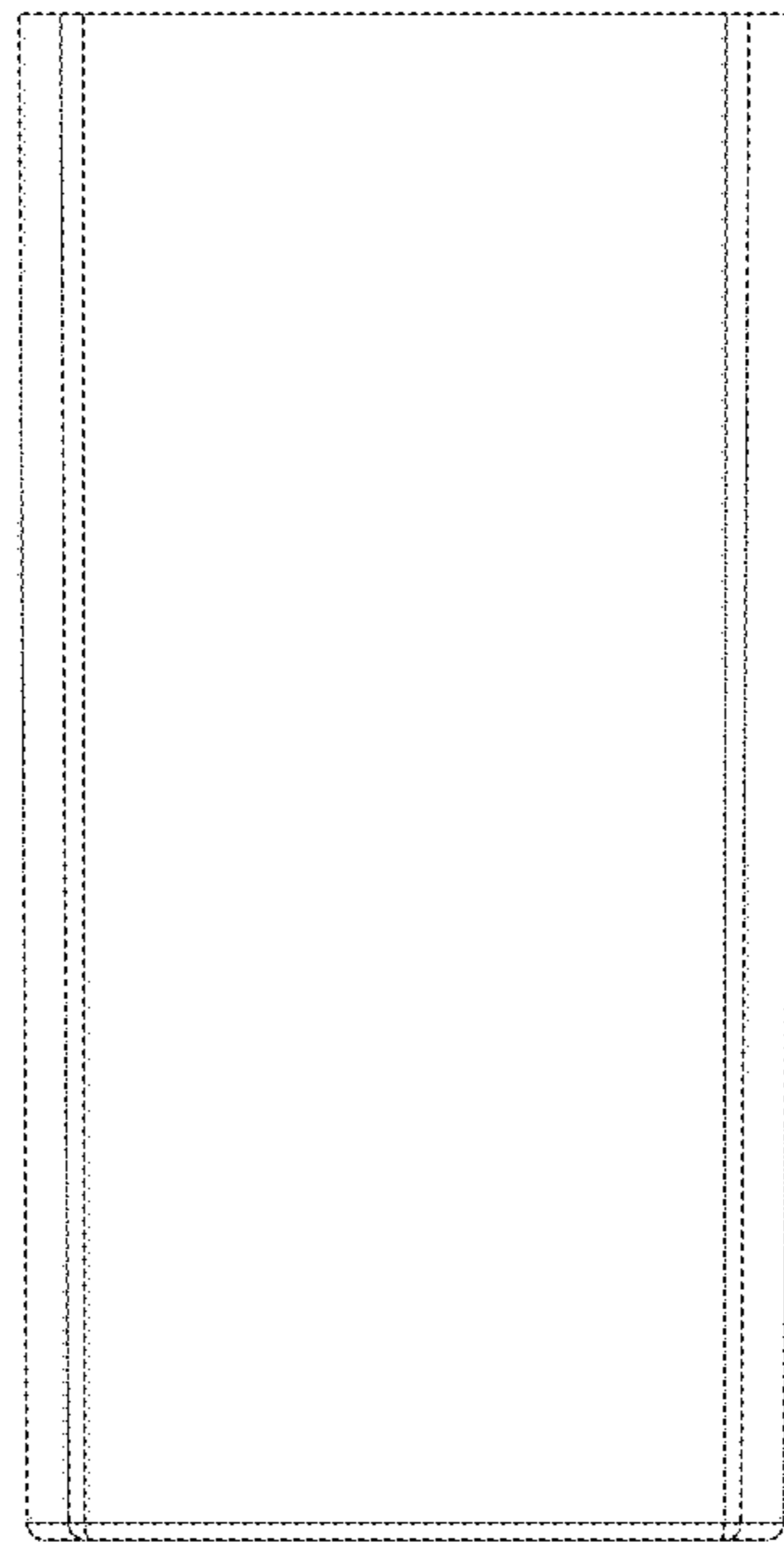
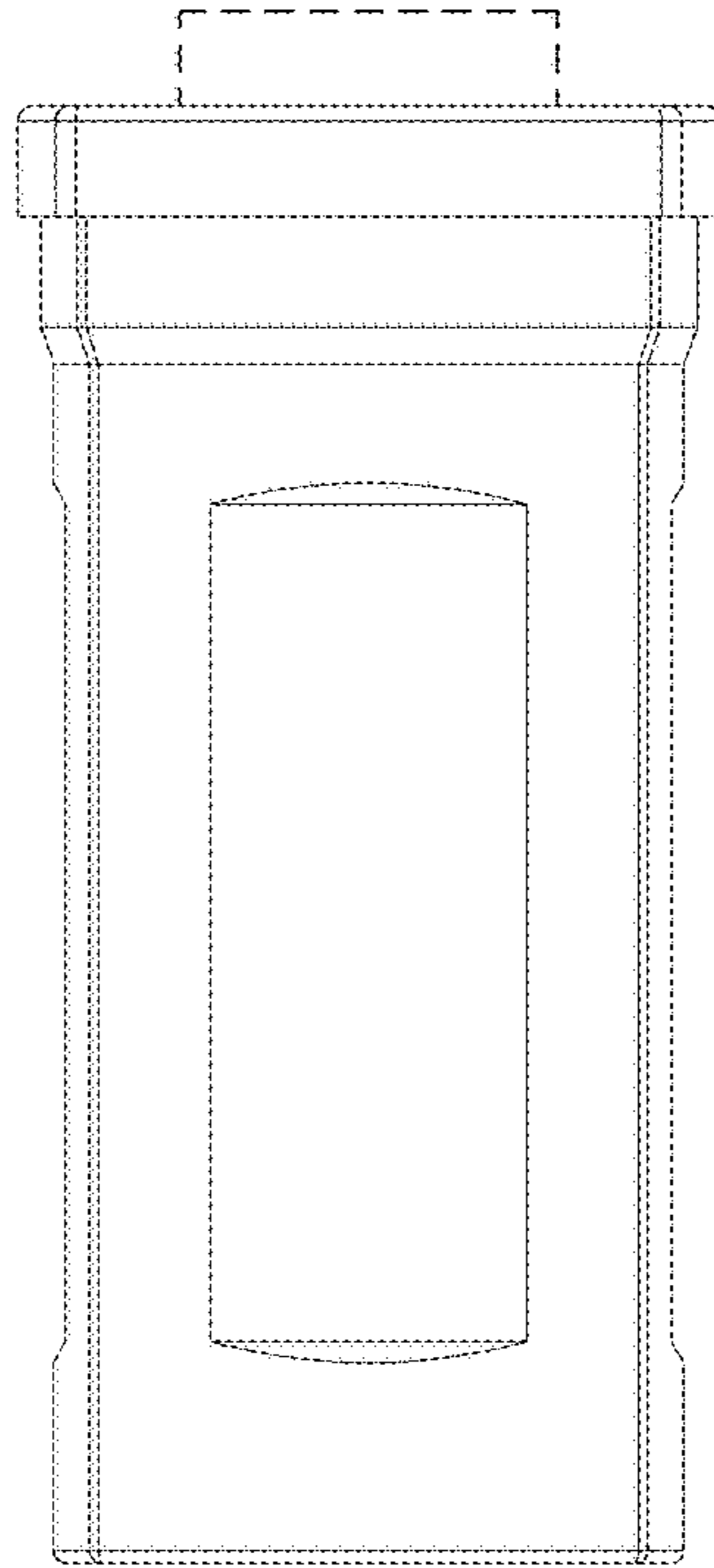


FIG.12

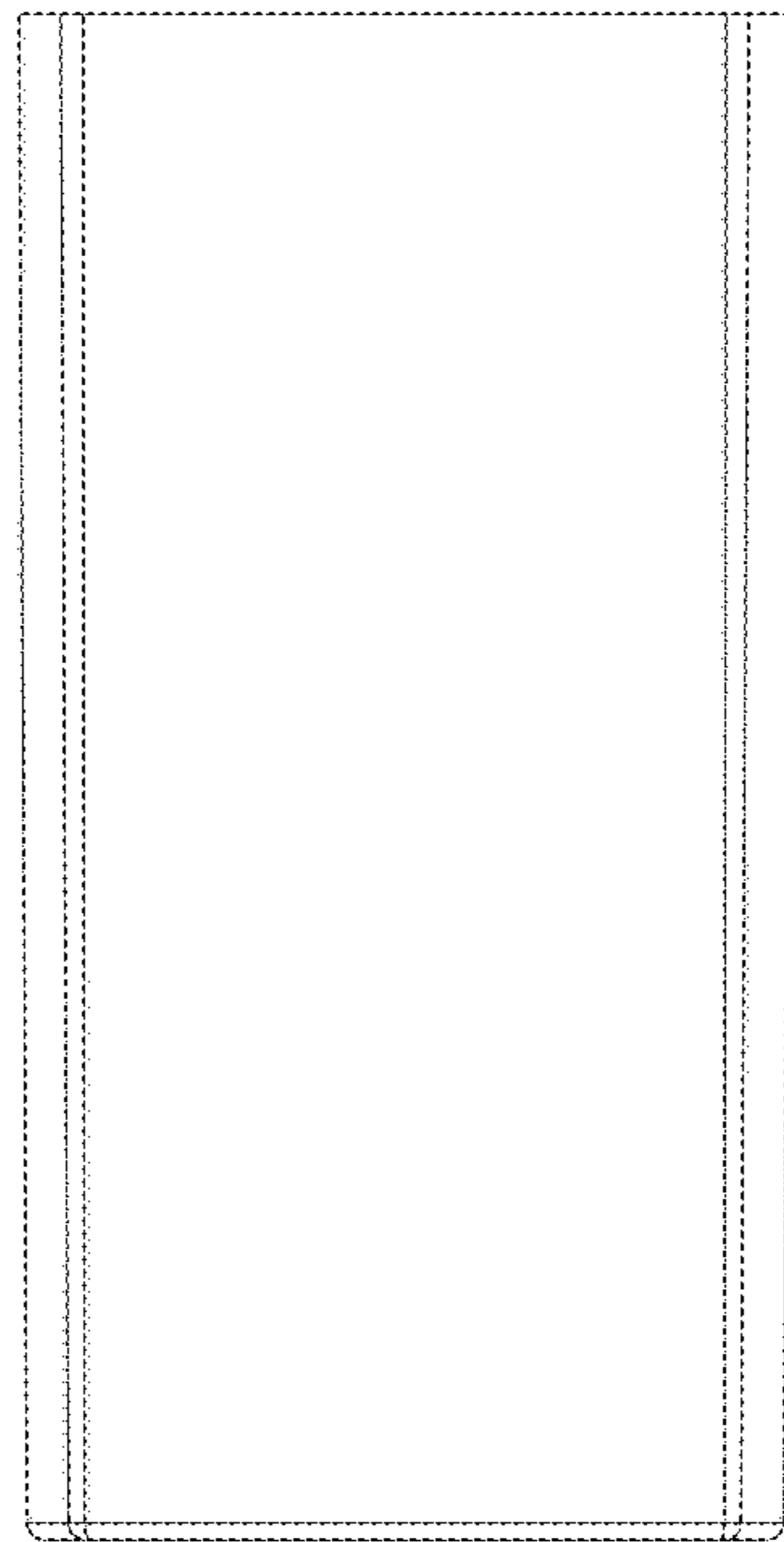
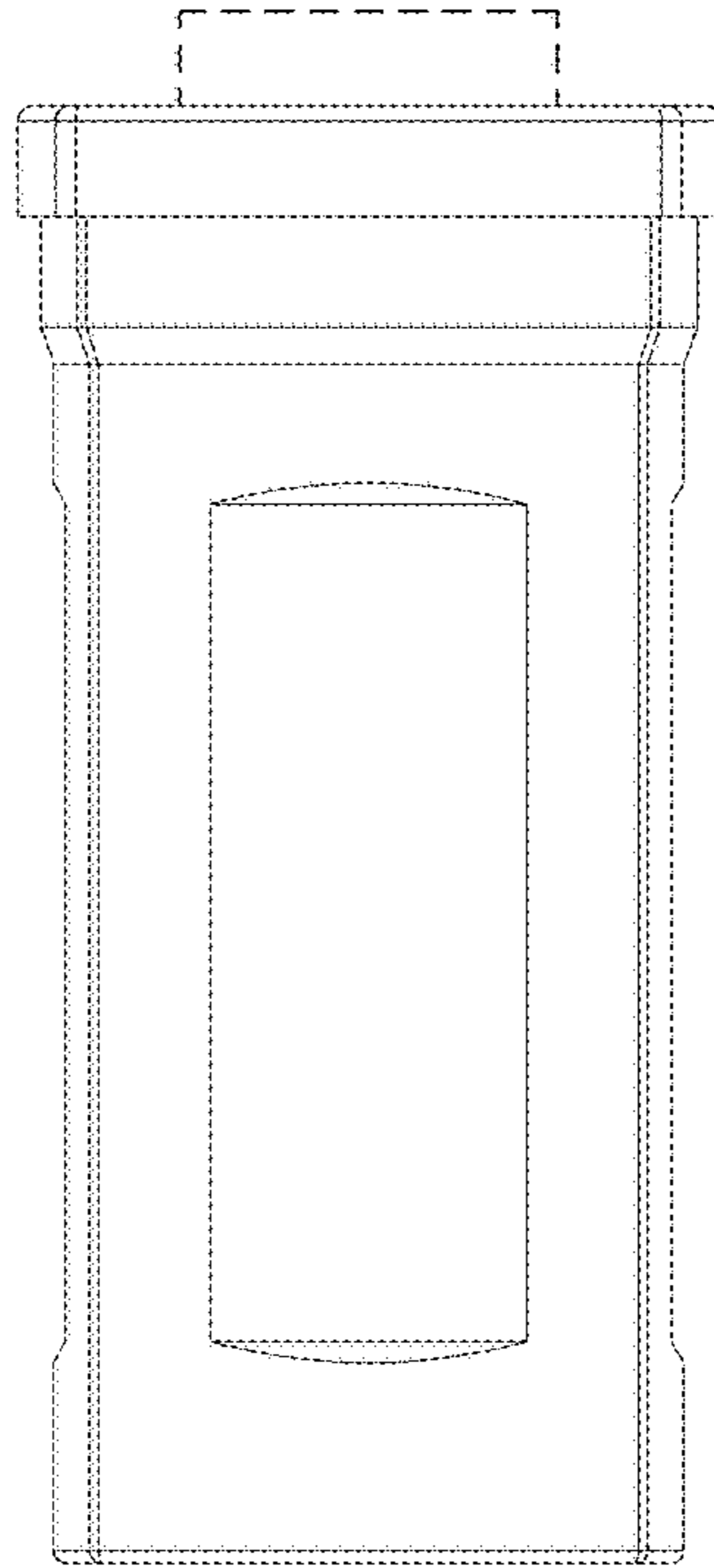


FIG.13

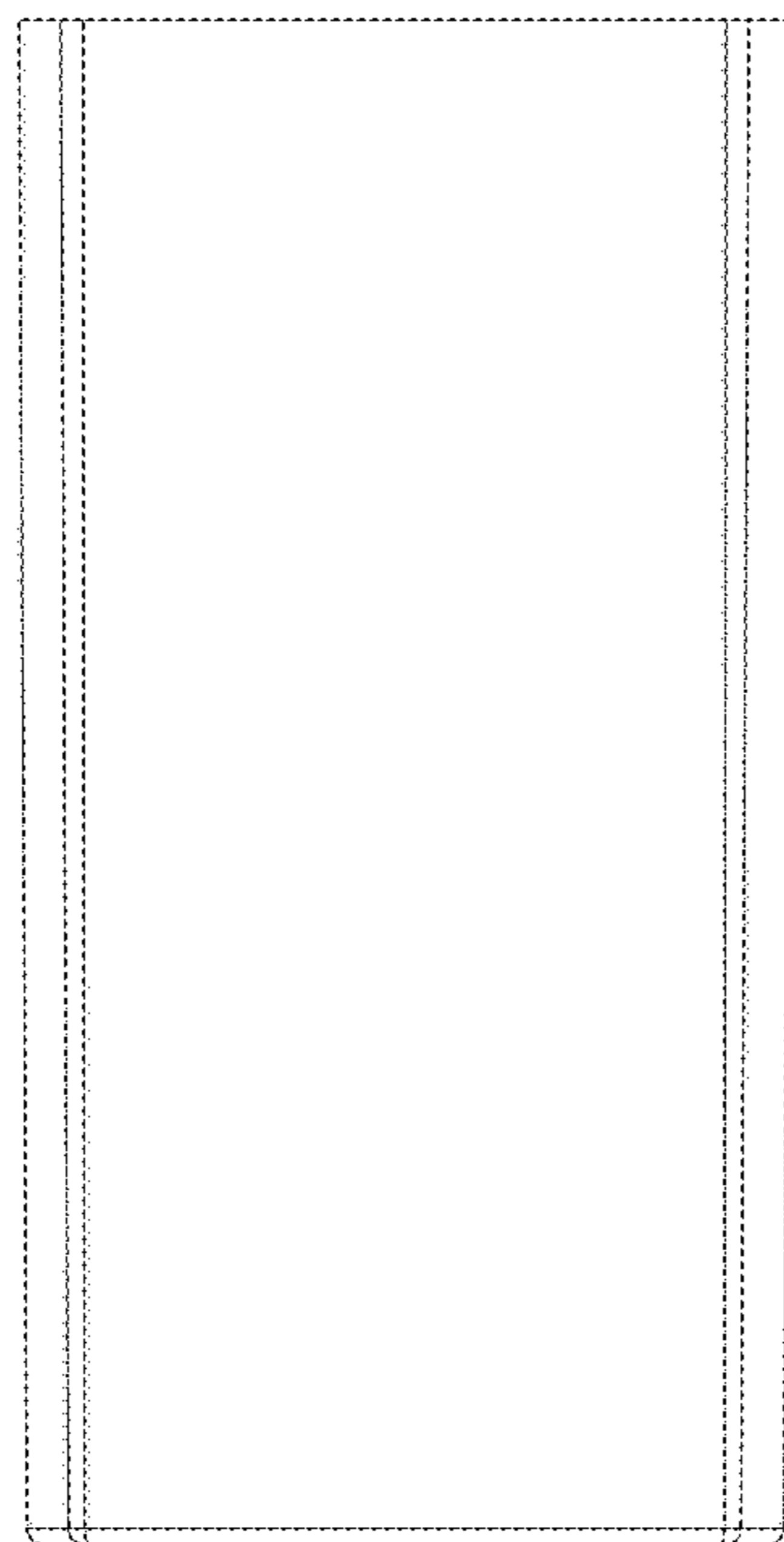
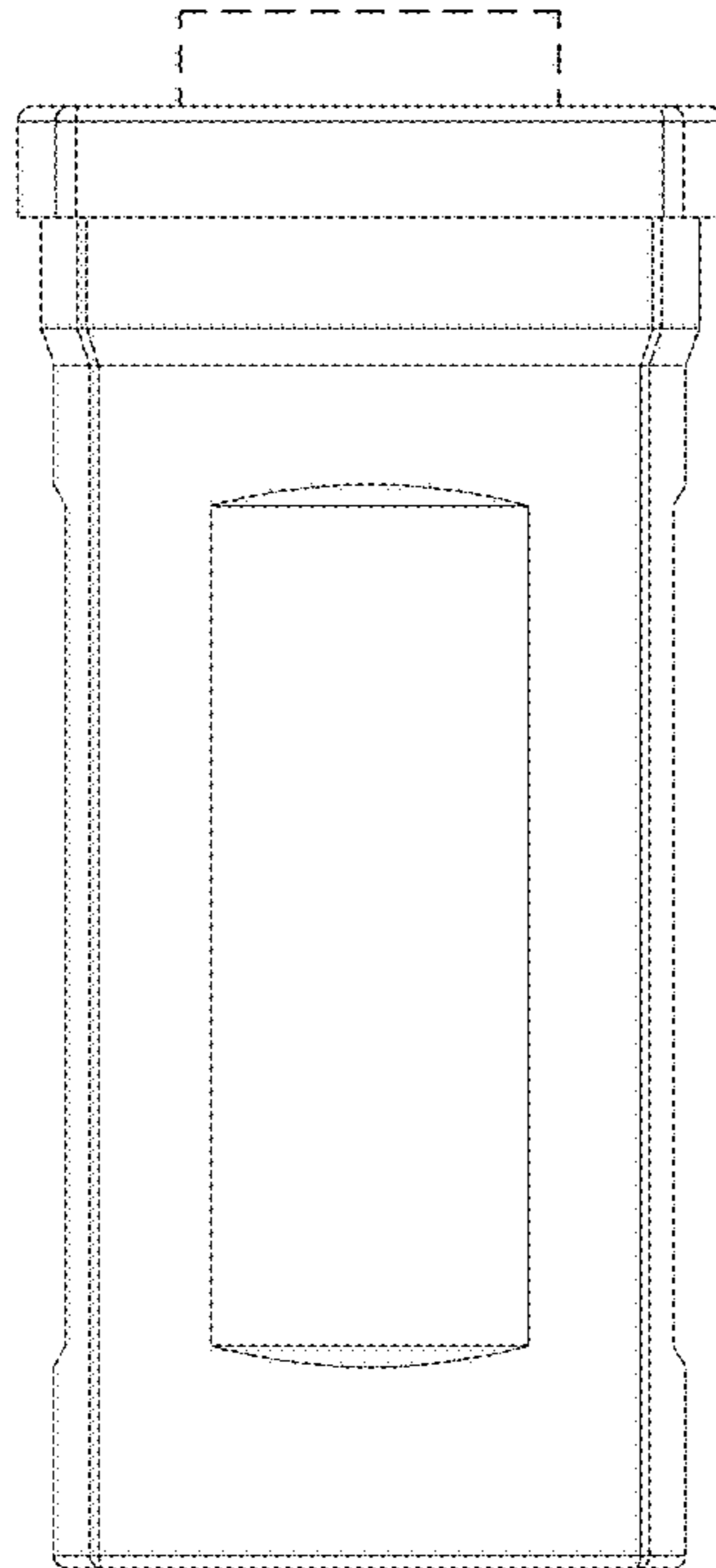


FIG.14

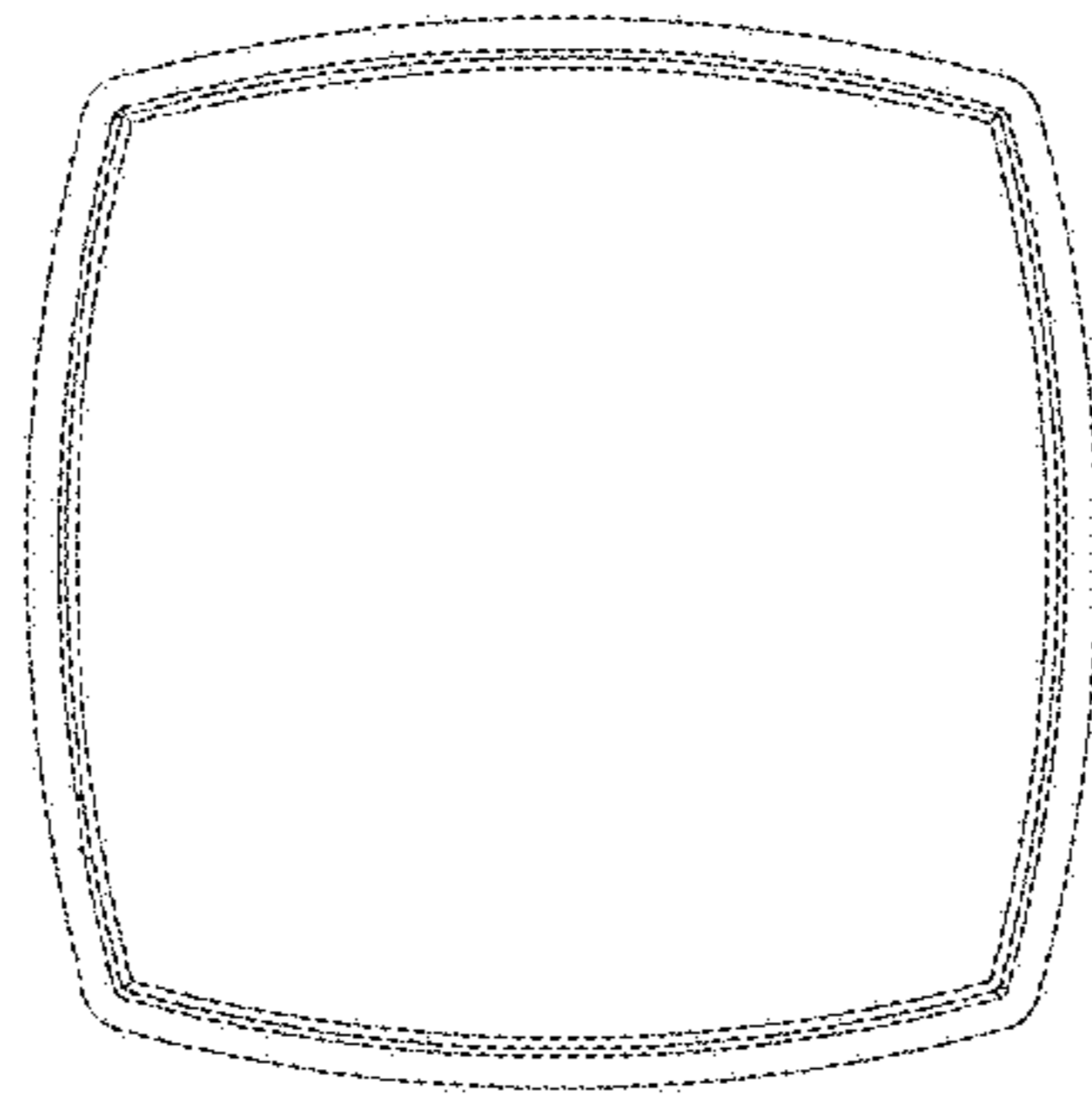


FIG.15

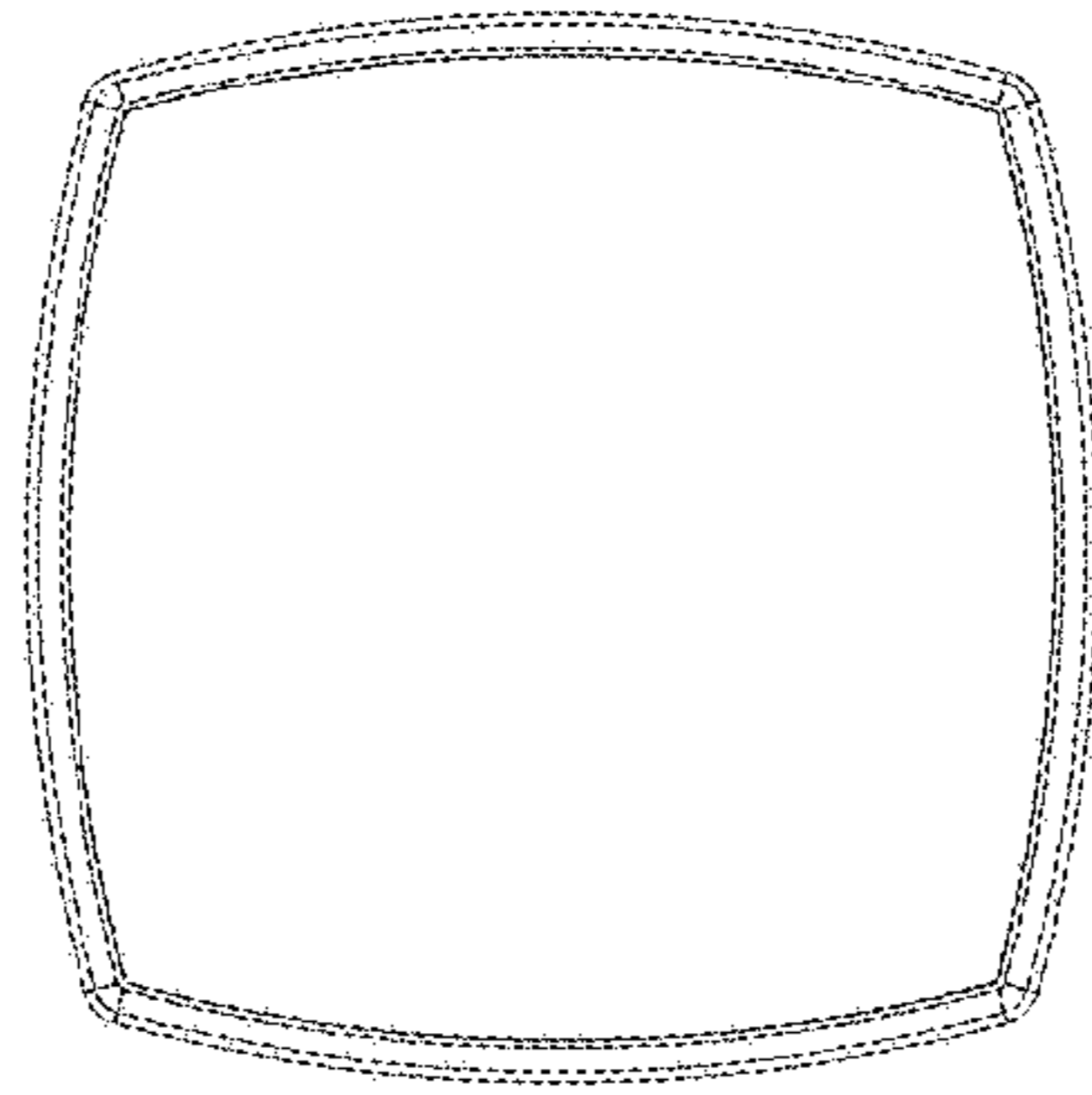


FIG.16

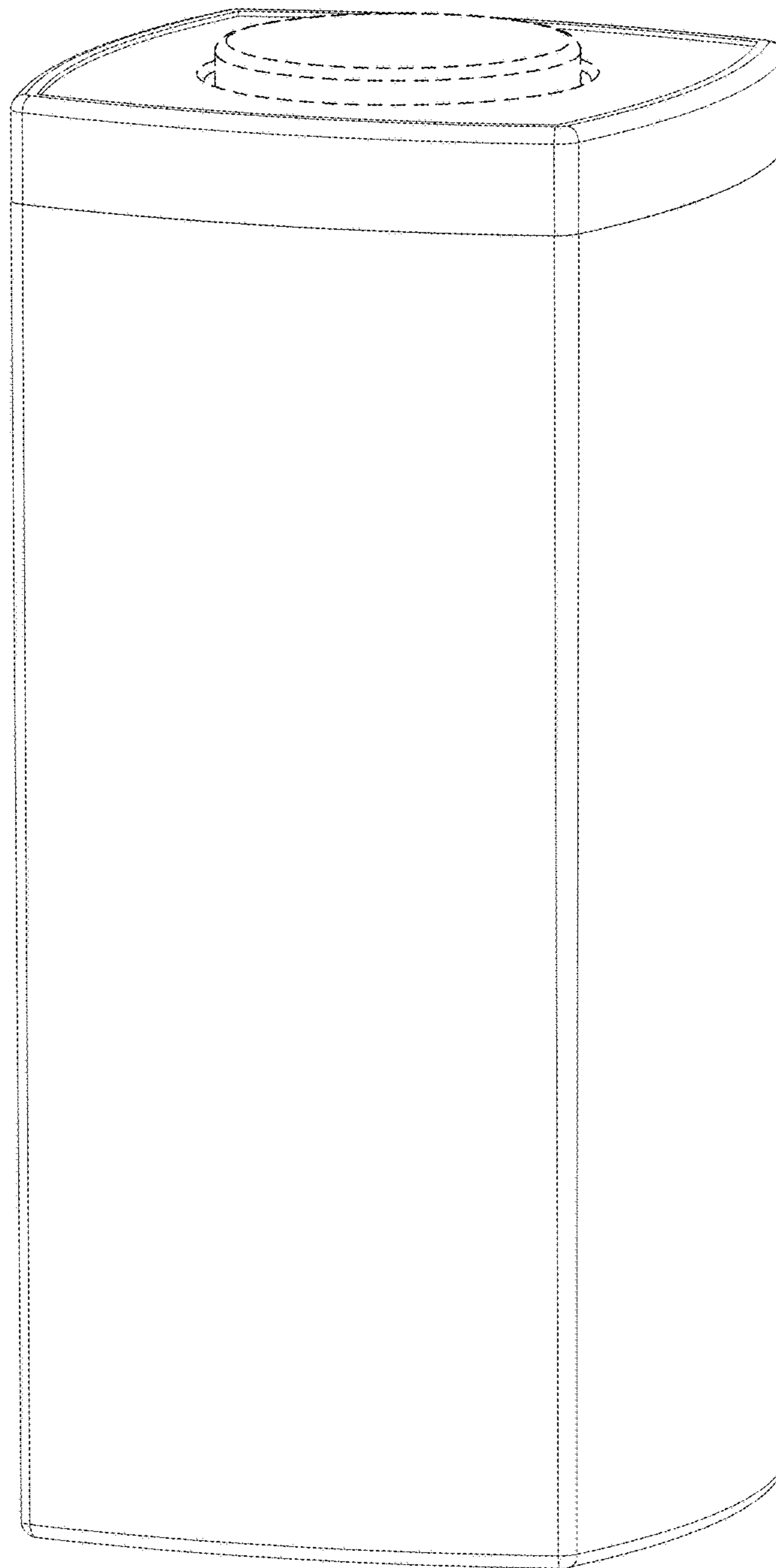


FIG.17

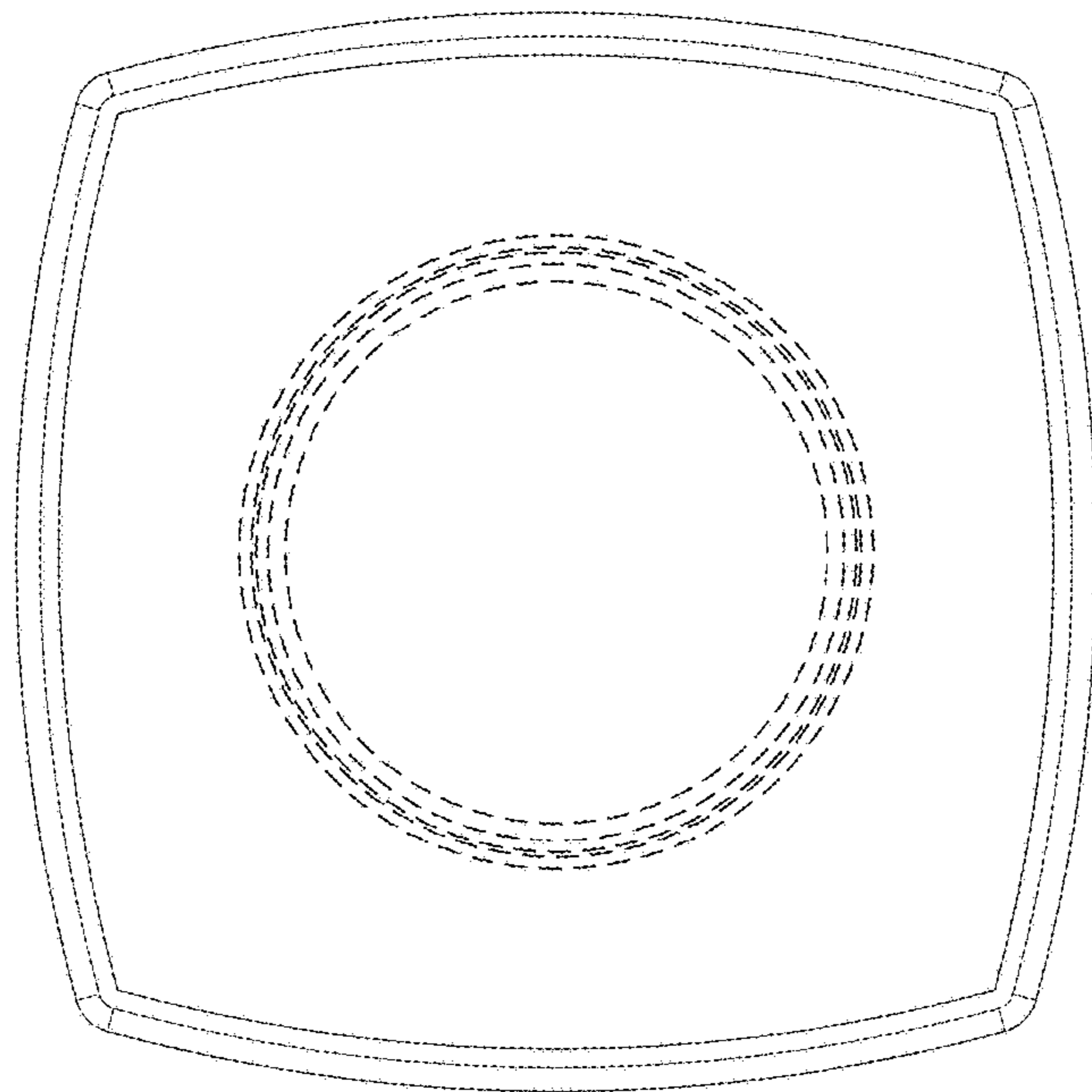


FIG.18

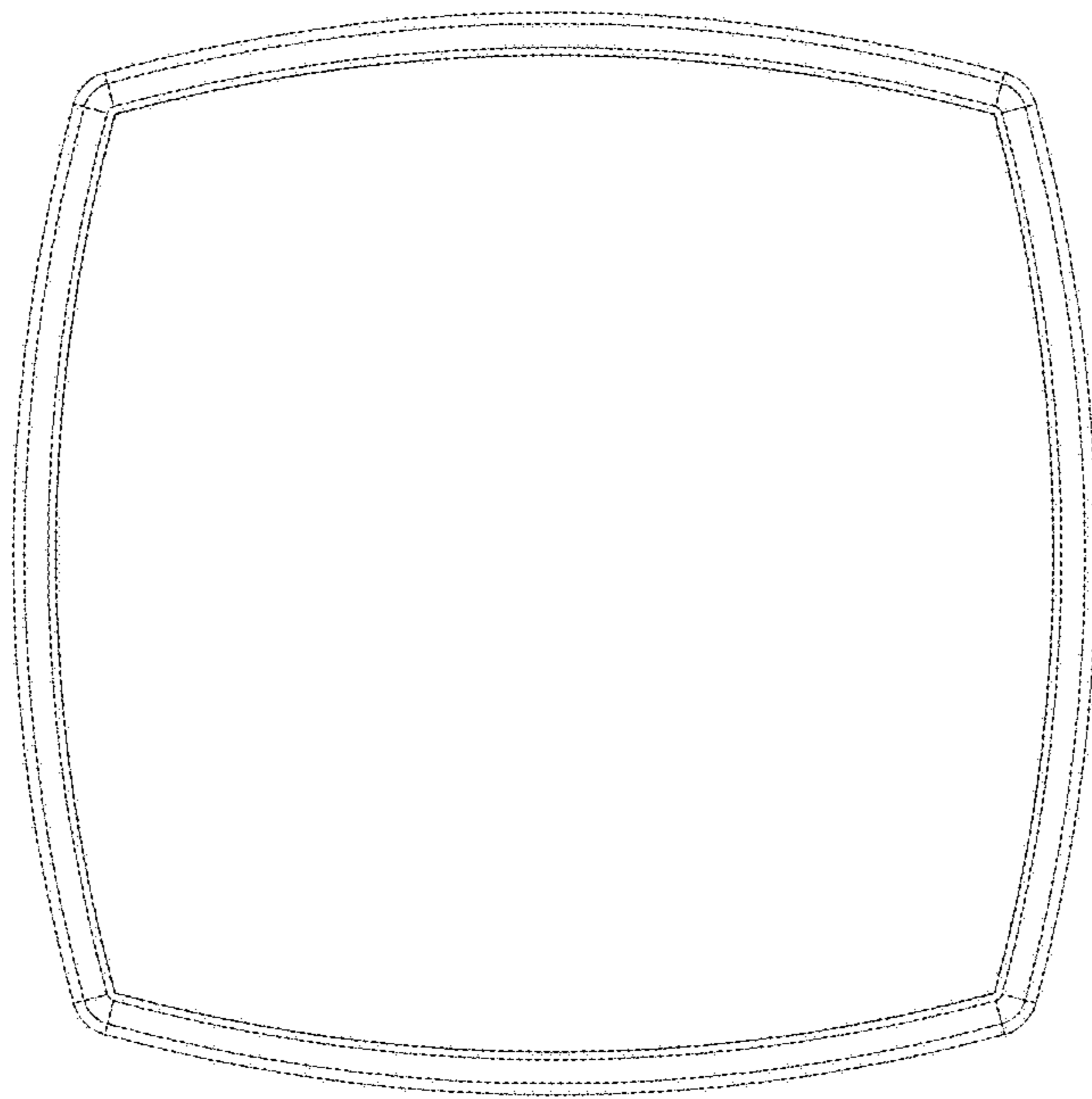


FIG.19

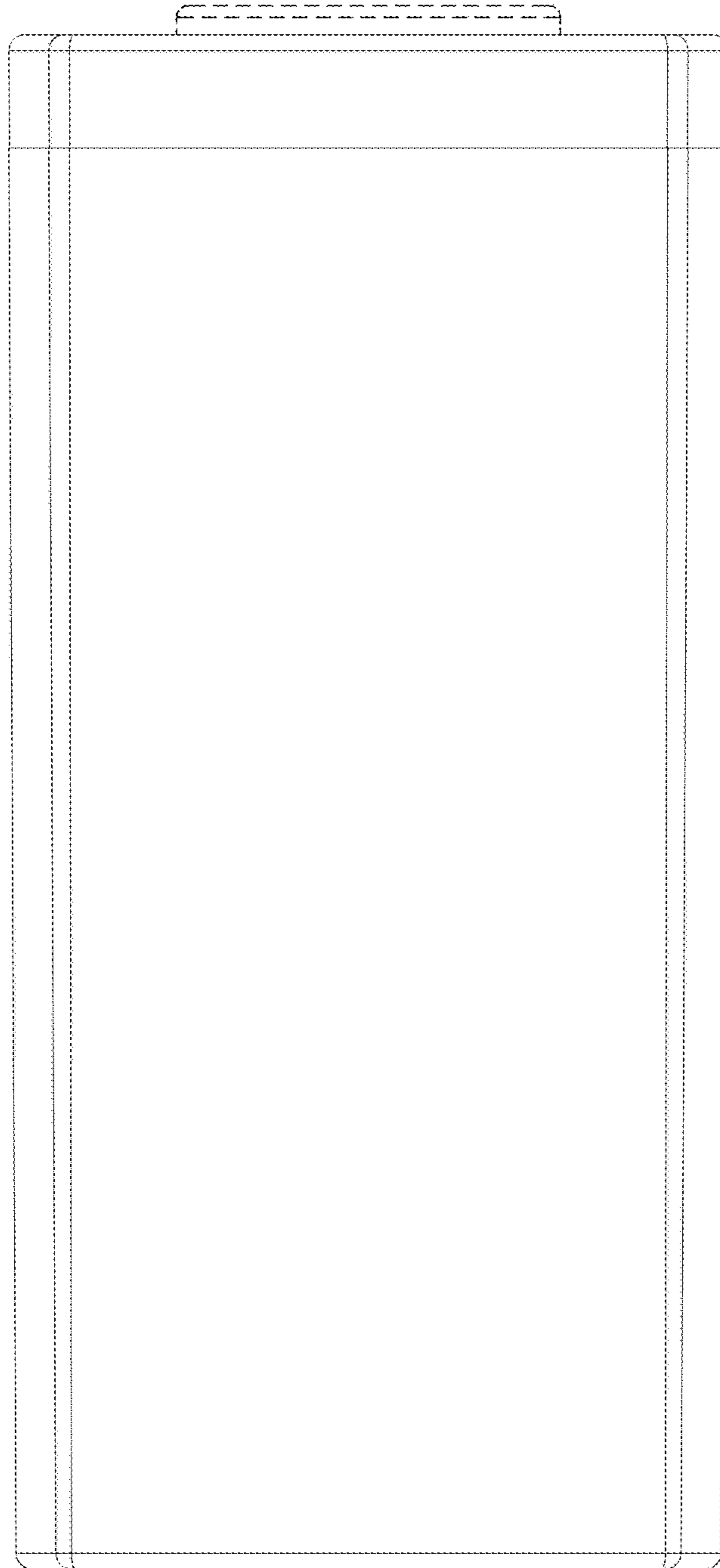


FIG.20

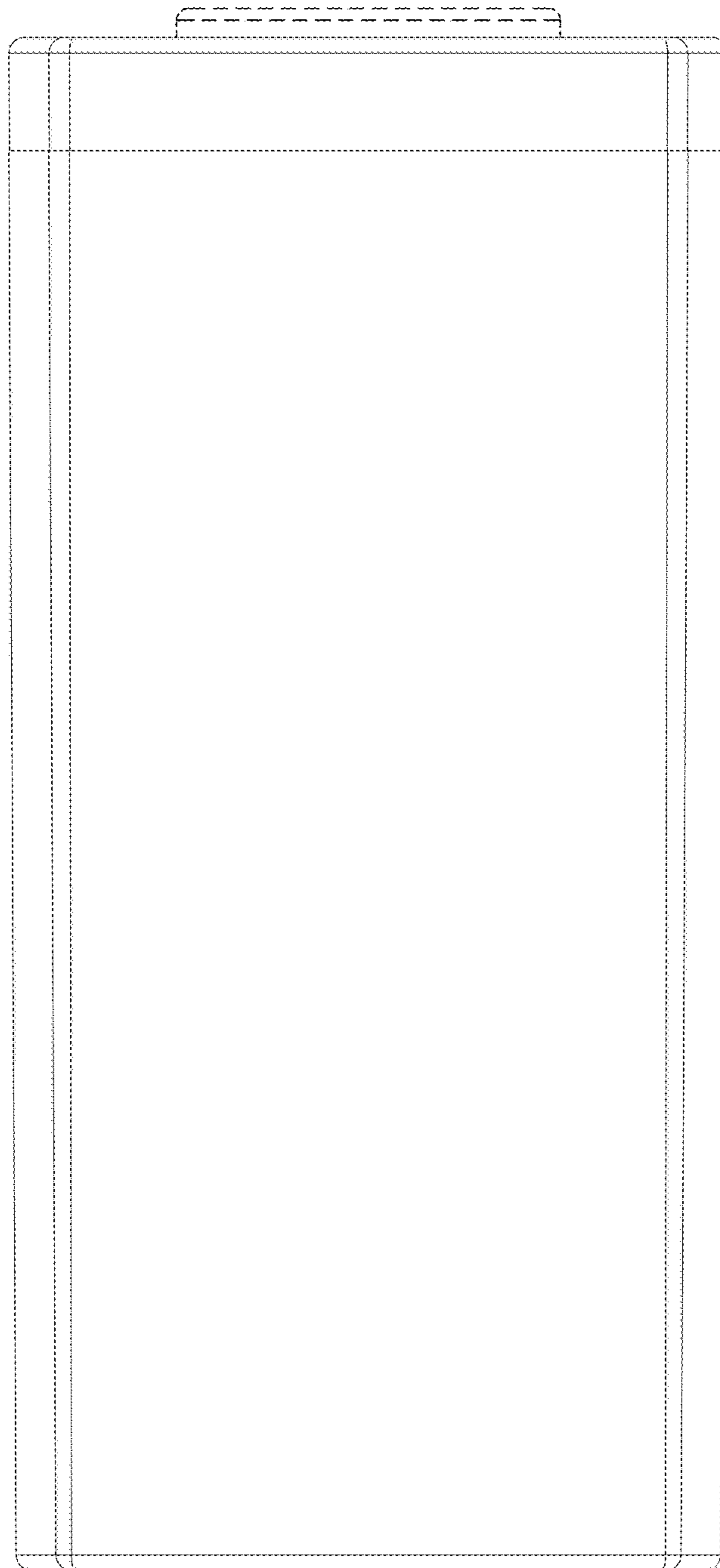


FIG.21

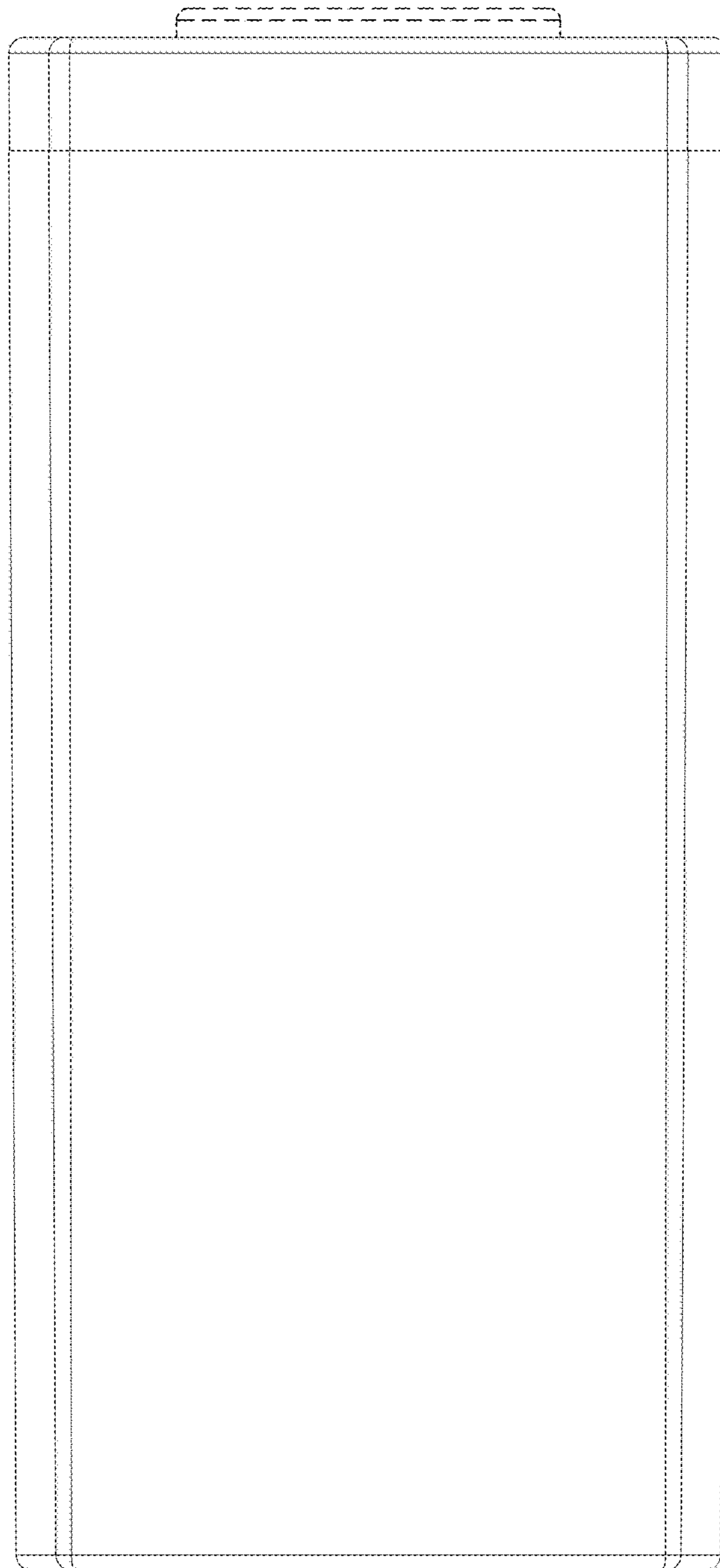


FIG.22

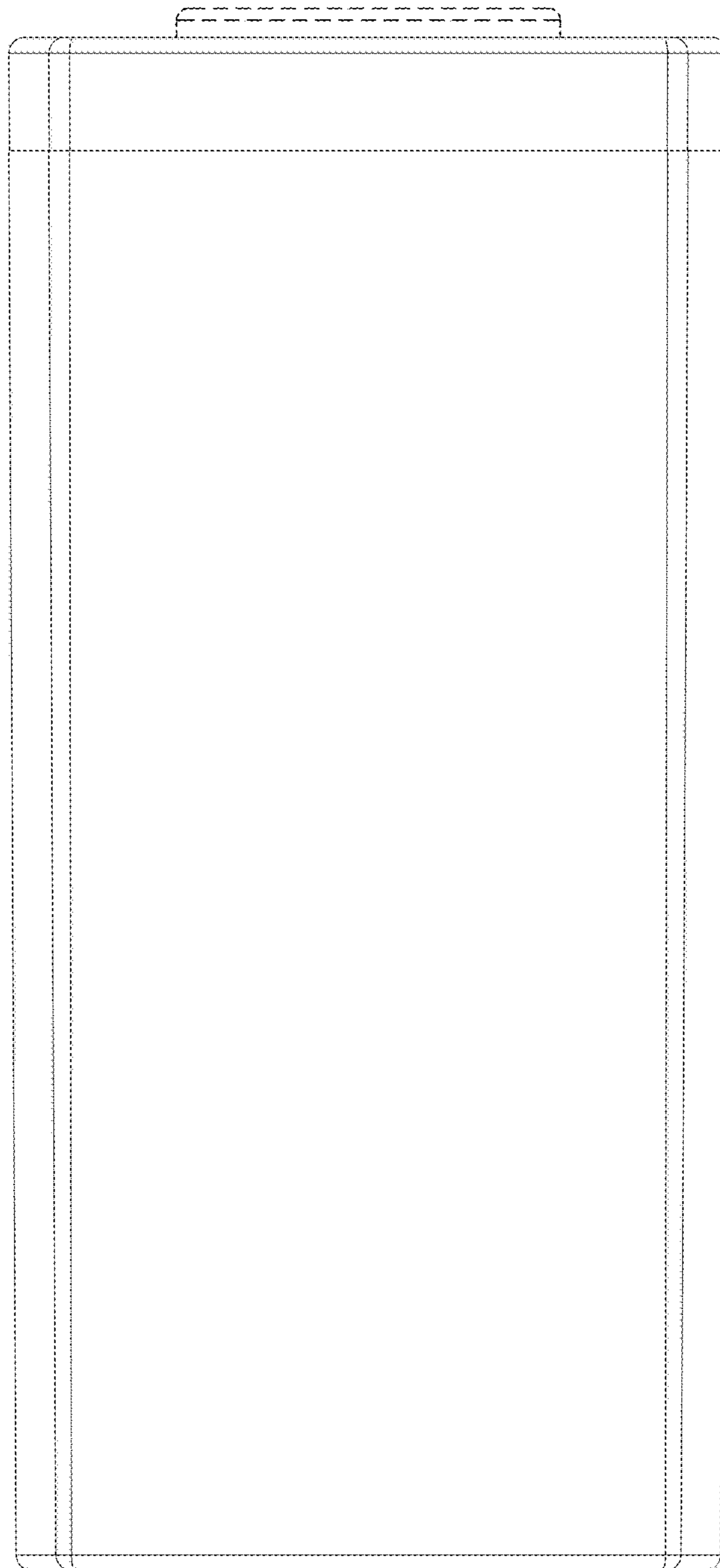


FIG.23

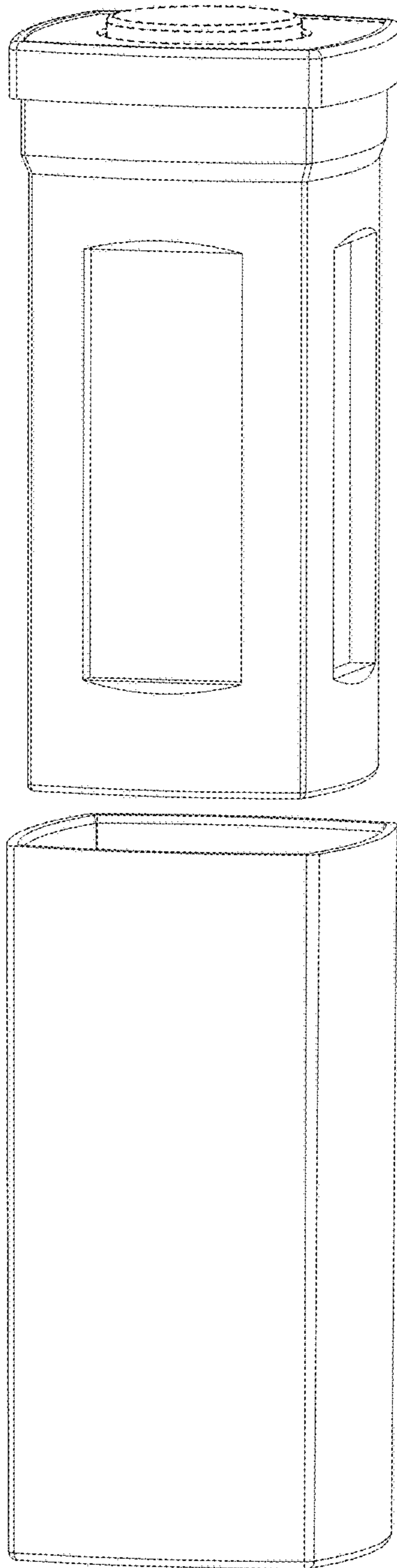


FIG.24

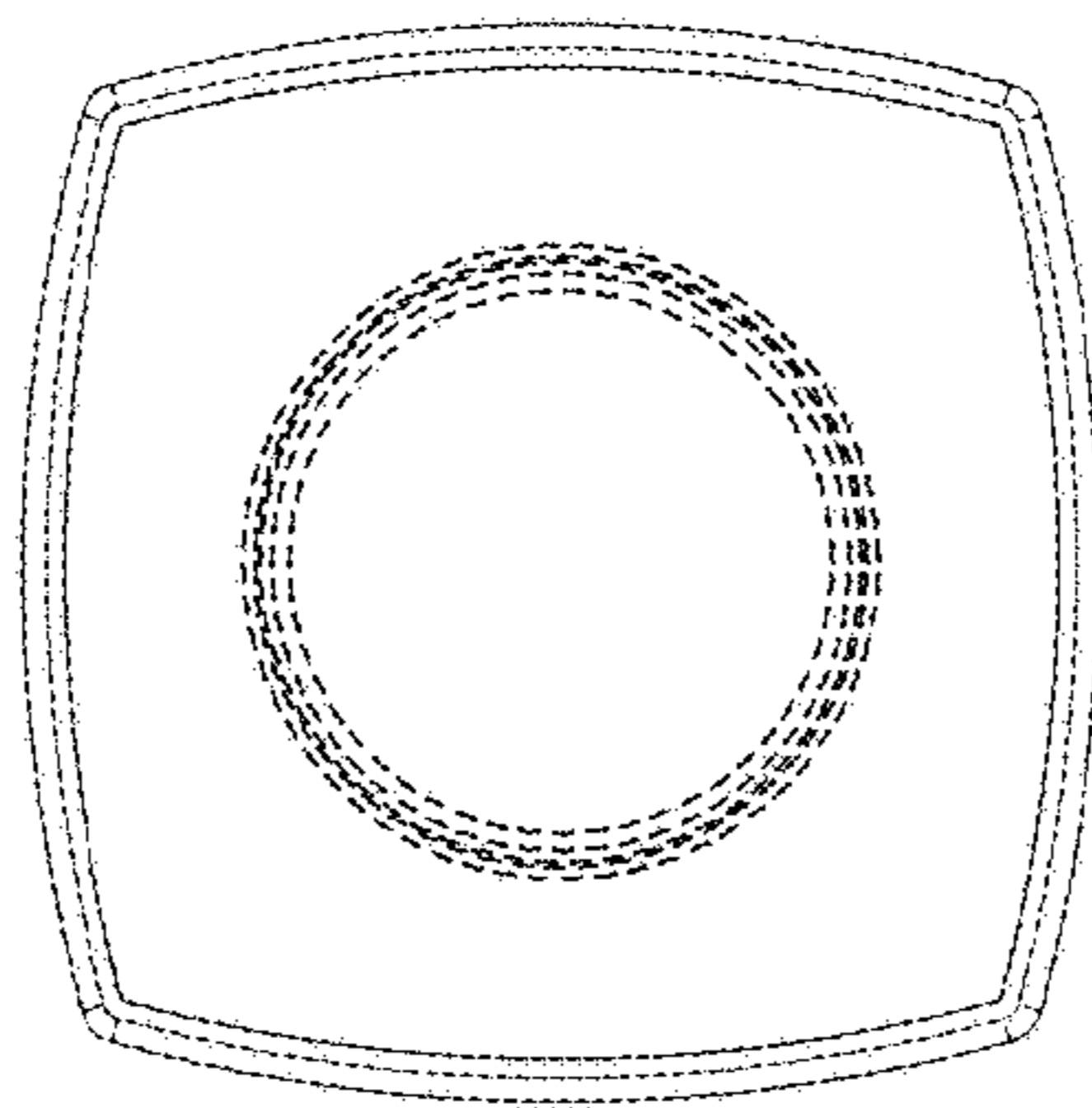


FIG.25

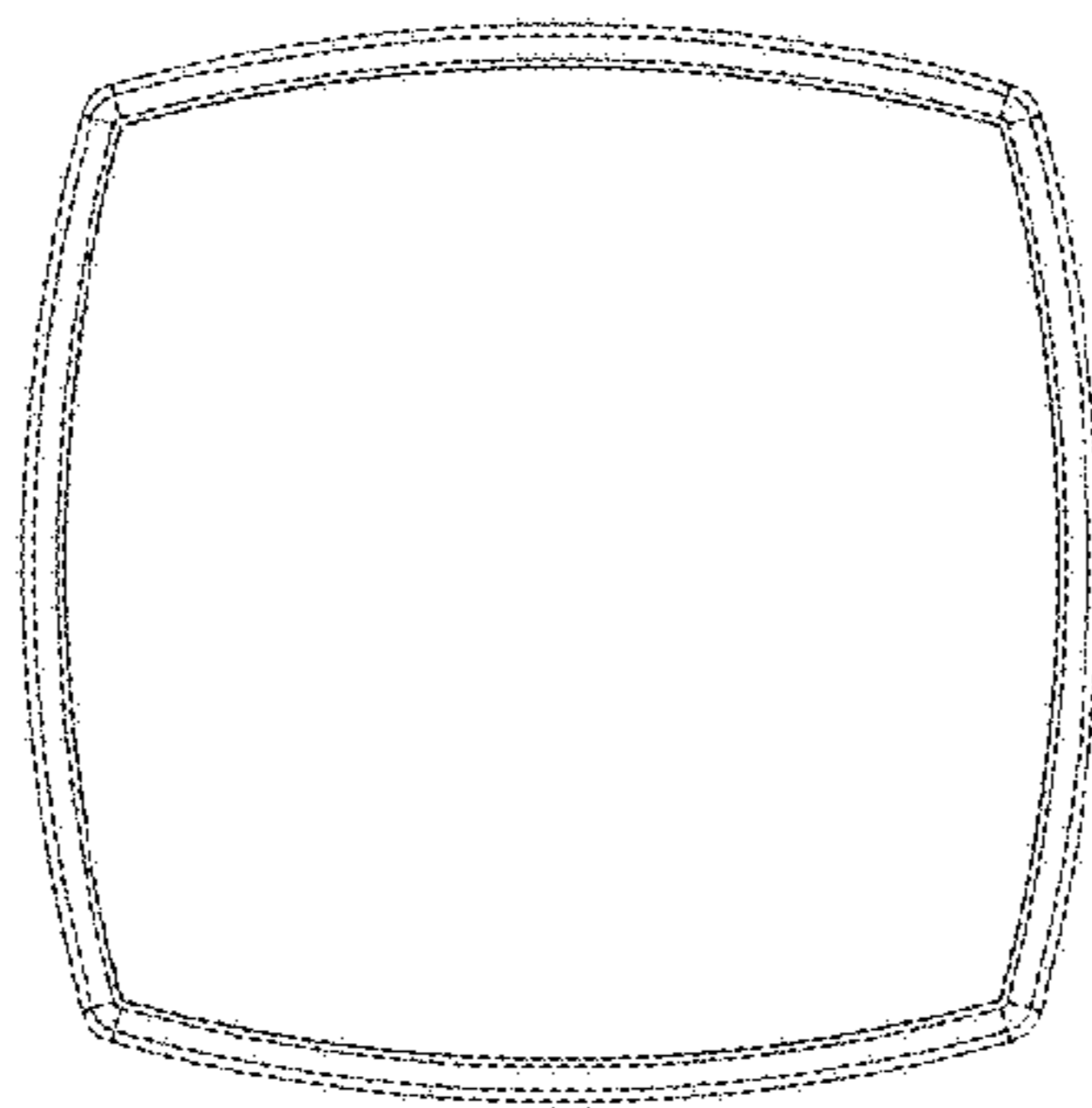


FIG.26

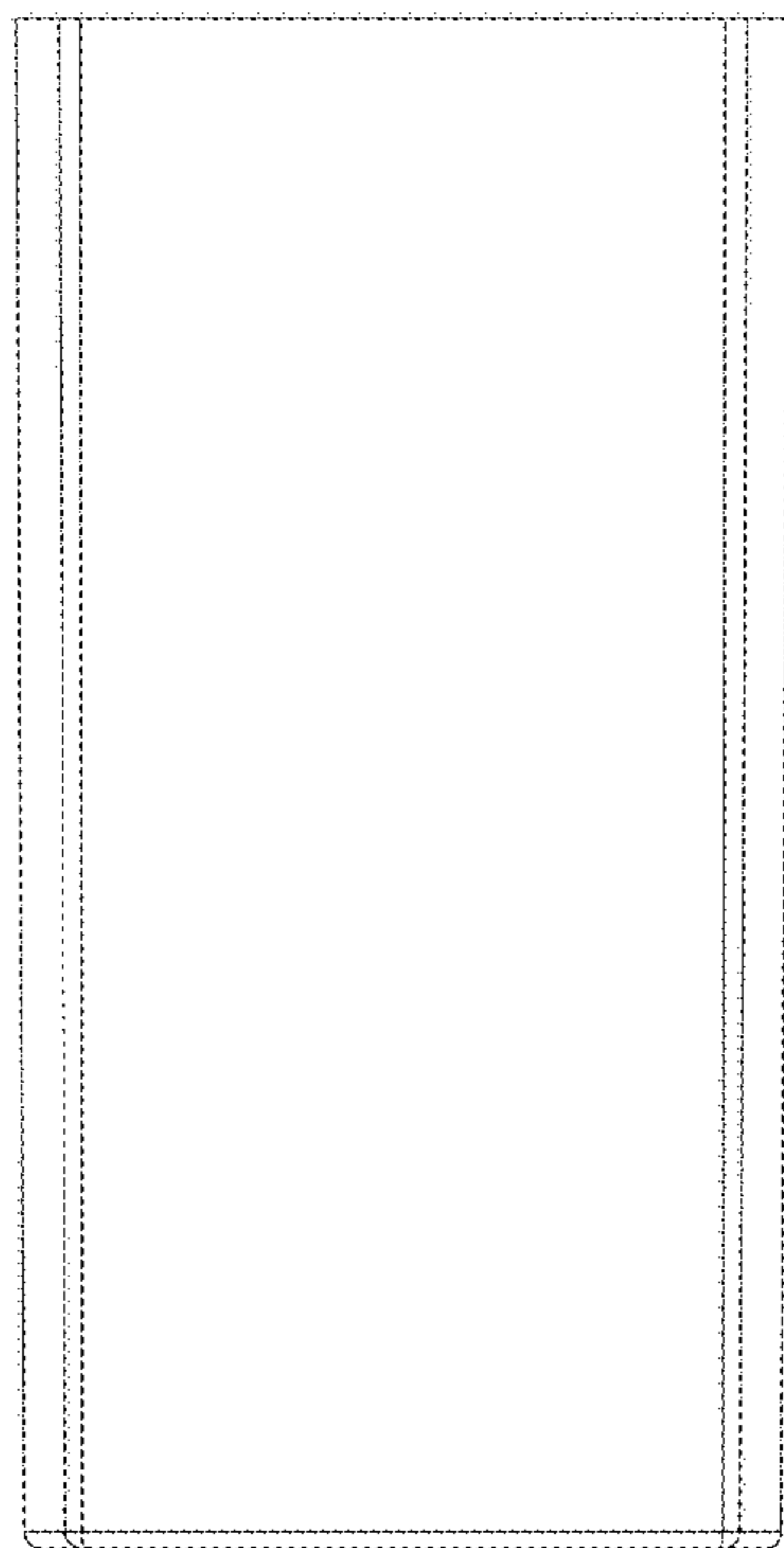
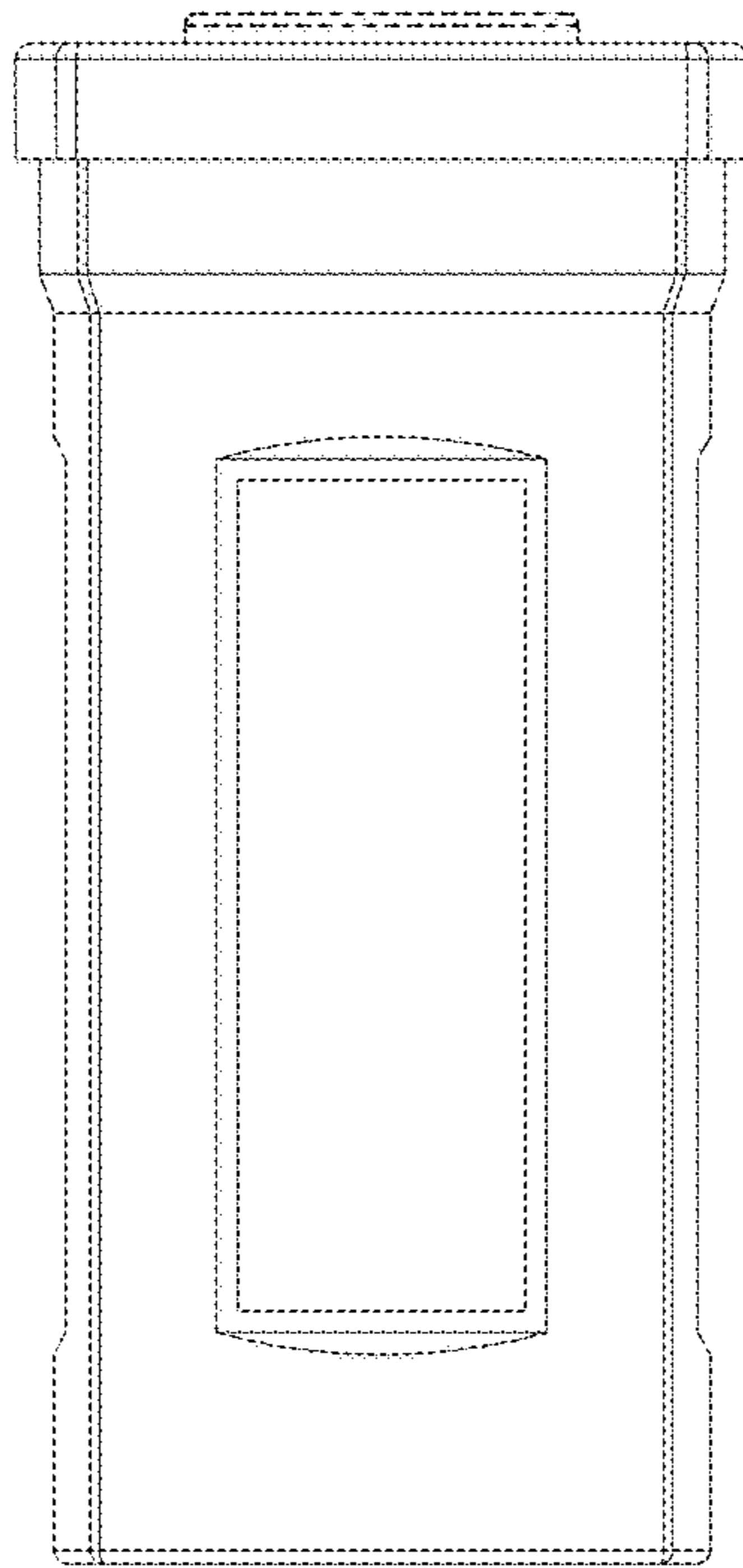


FIG.27

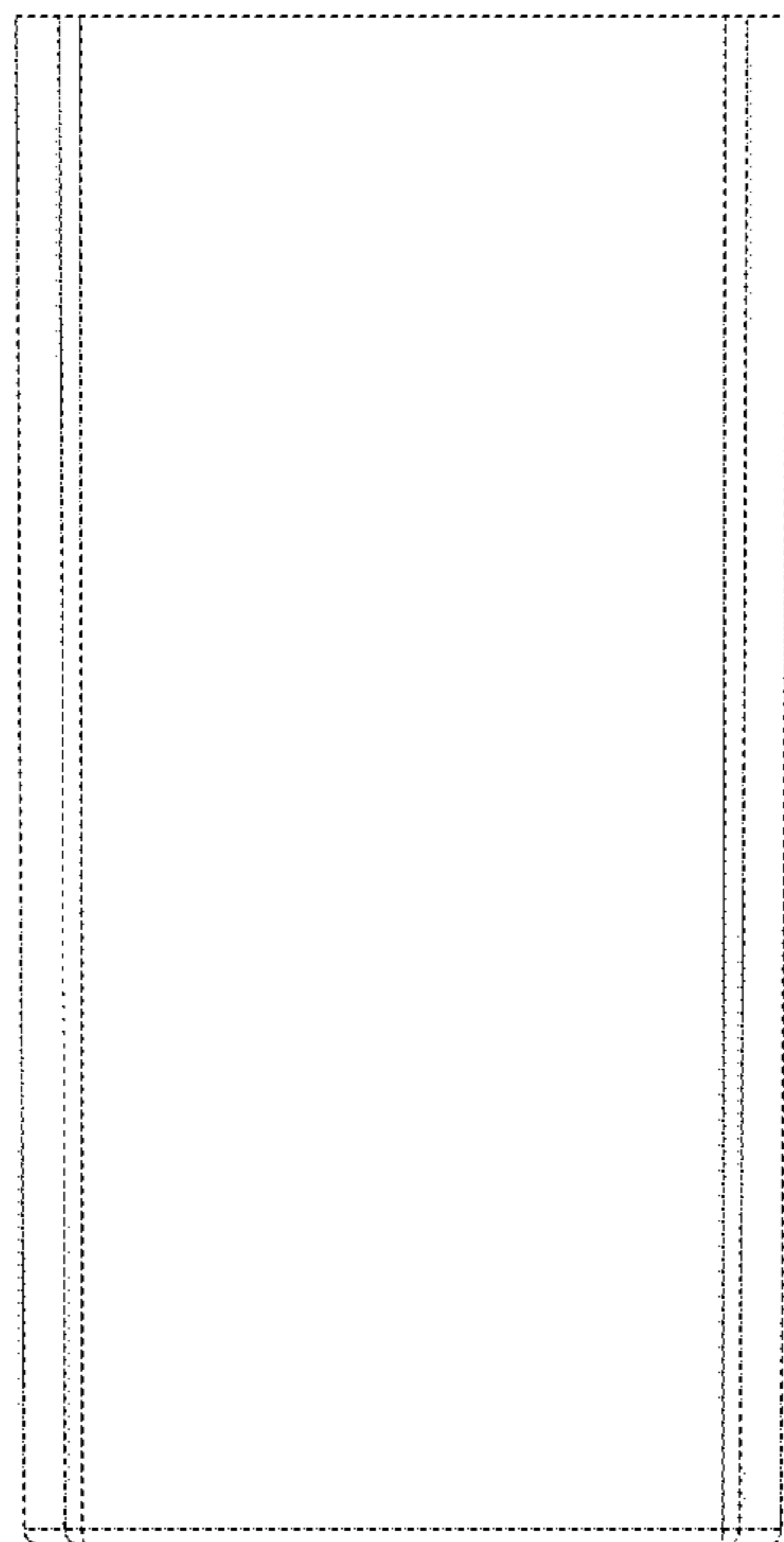
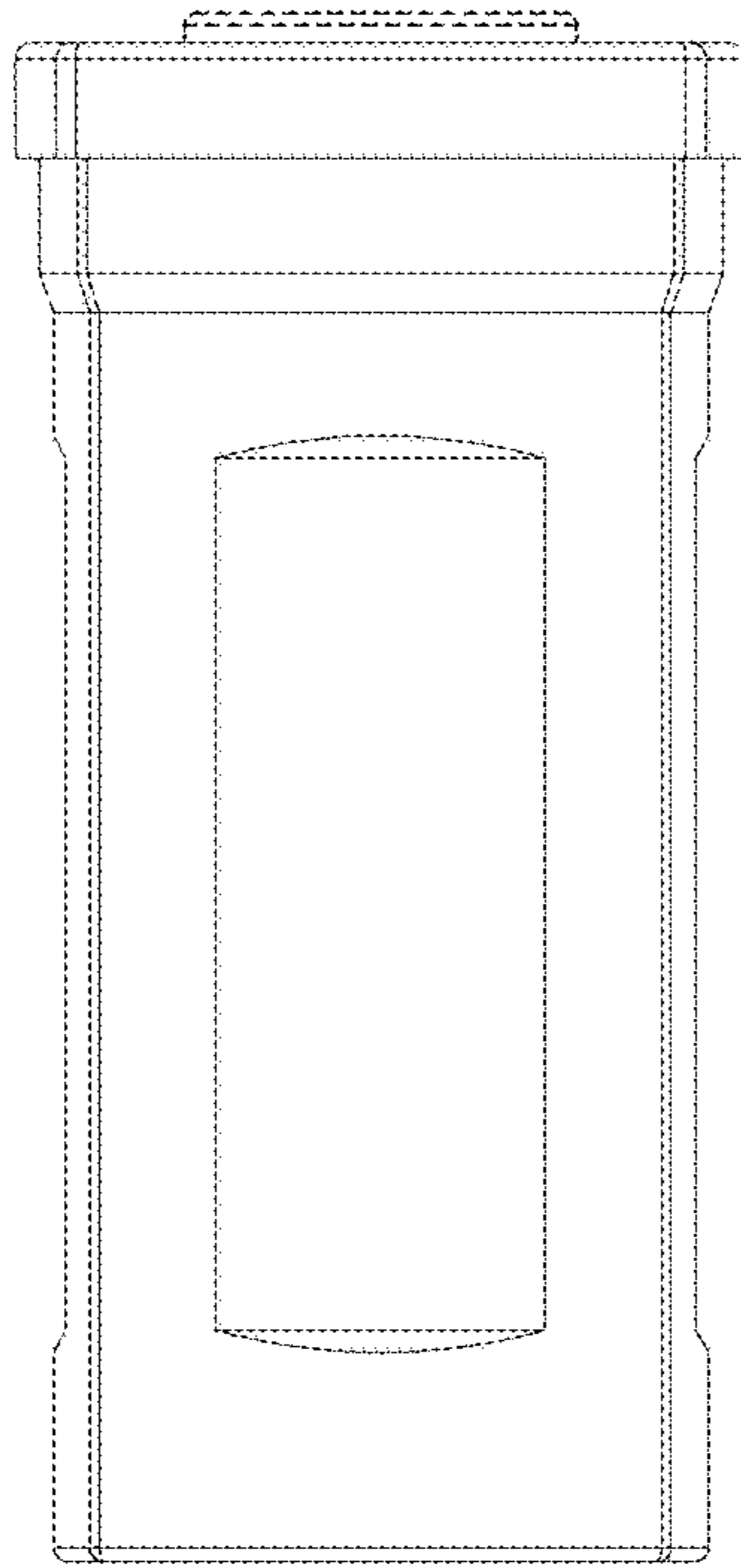


FIG.28

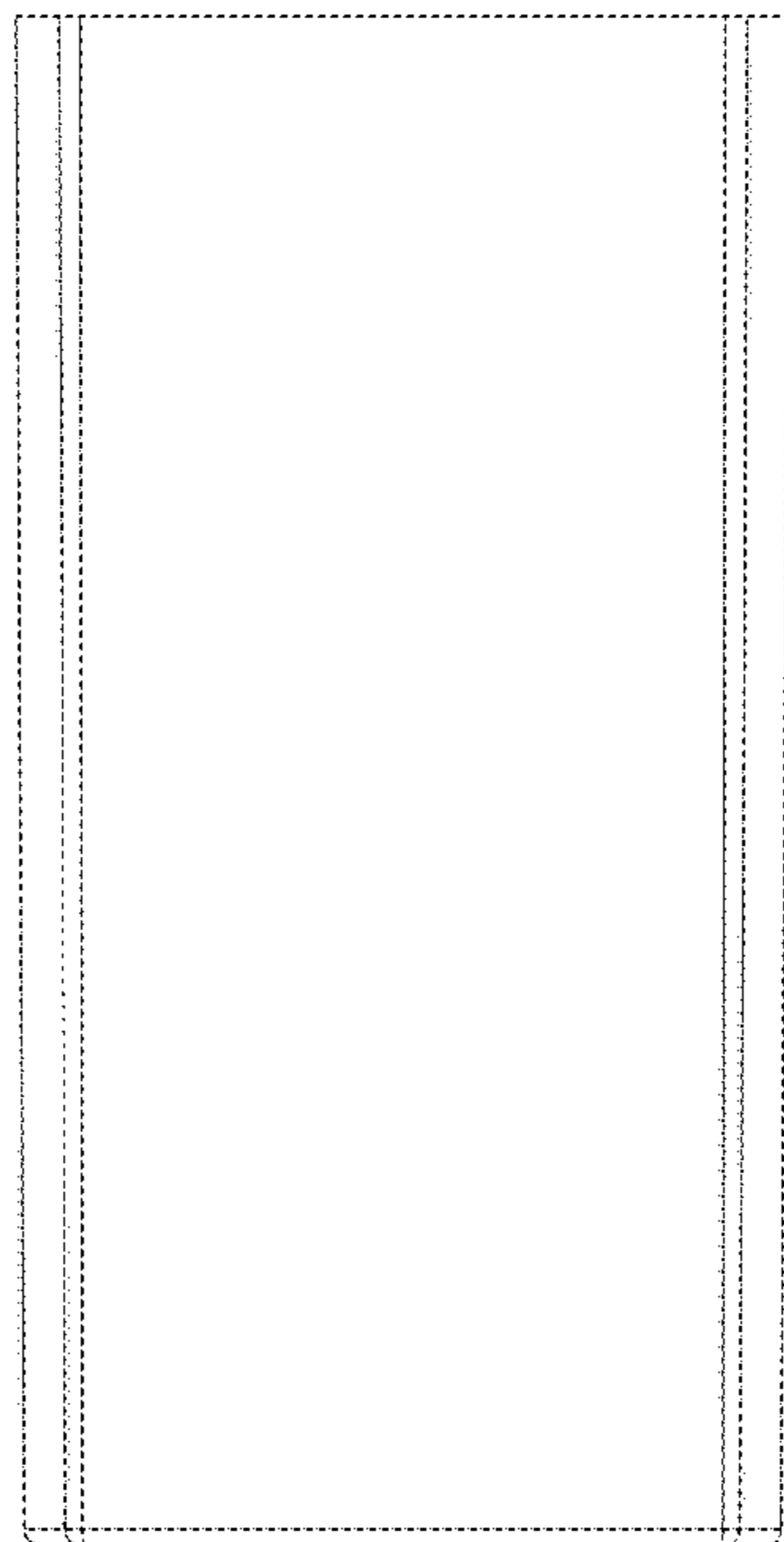
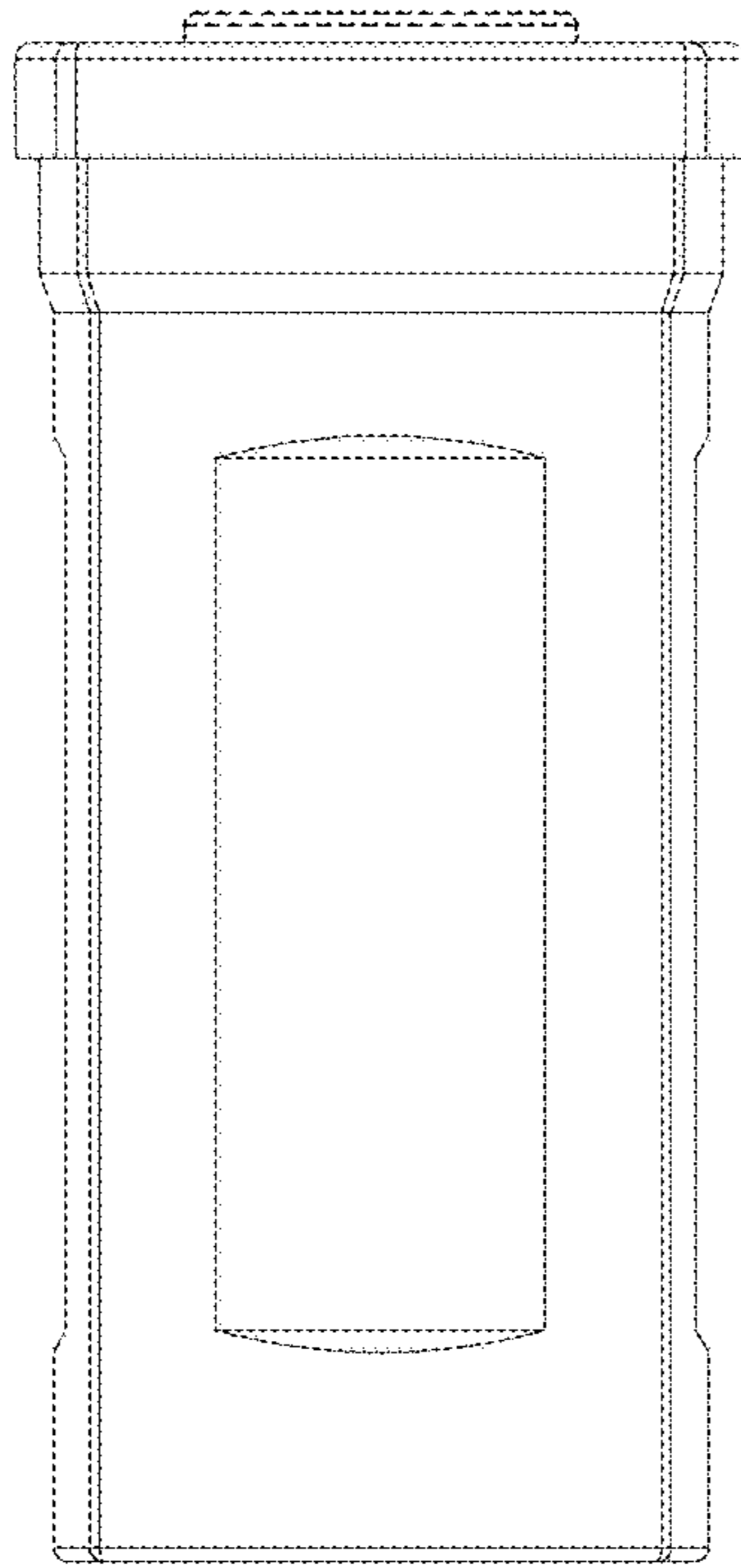


FIG.29

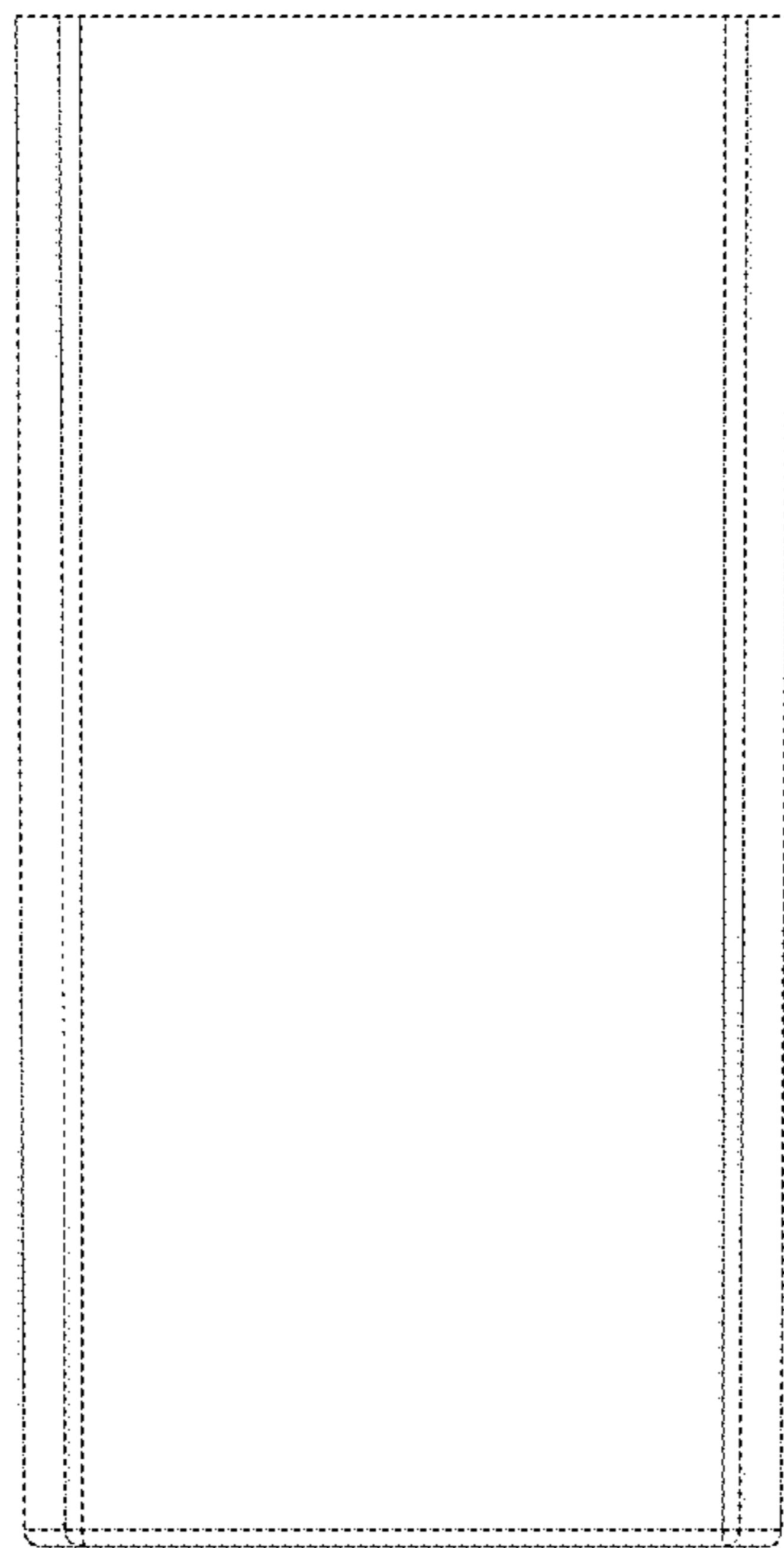
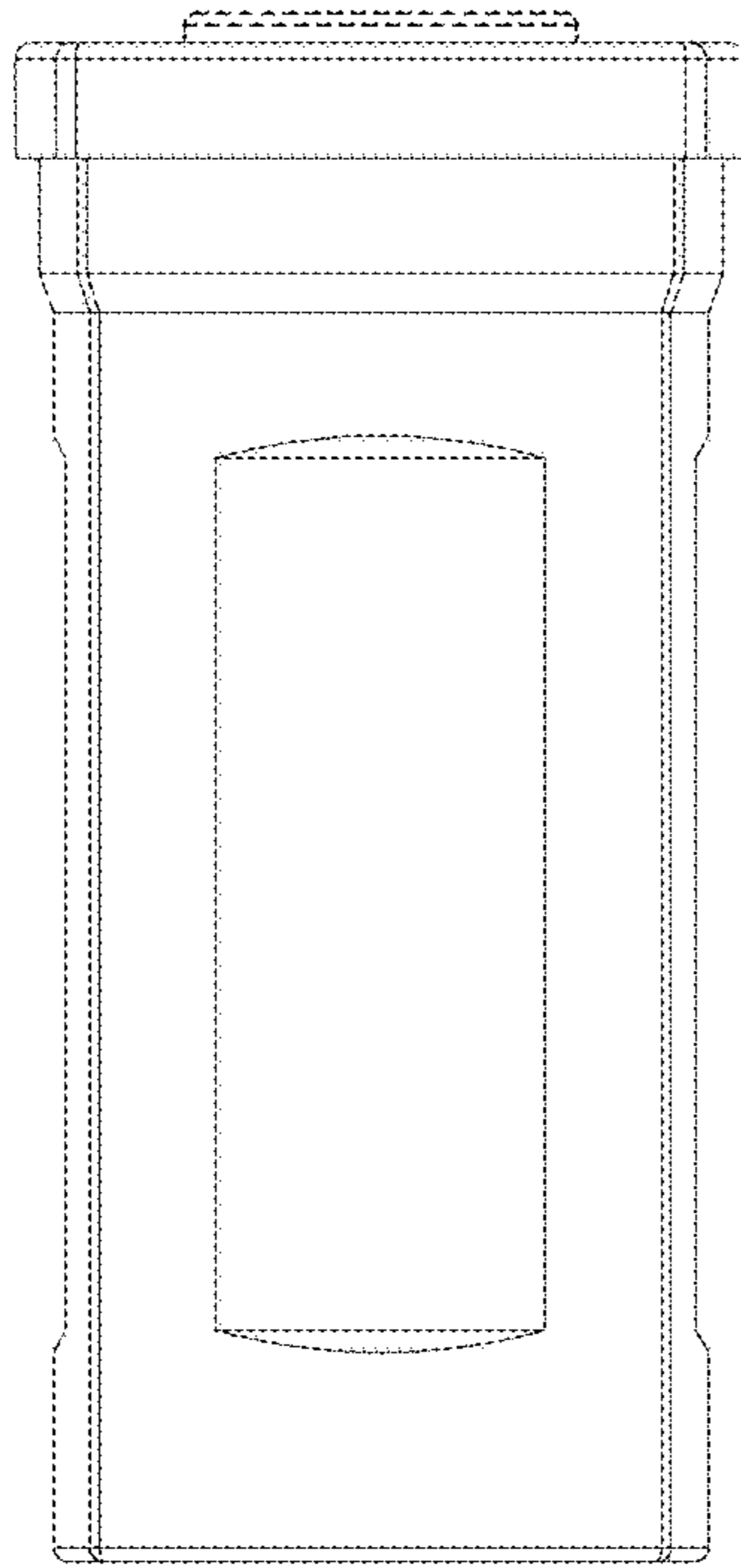


FIG.30

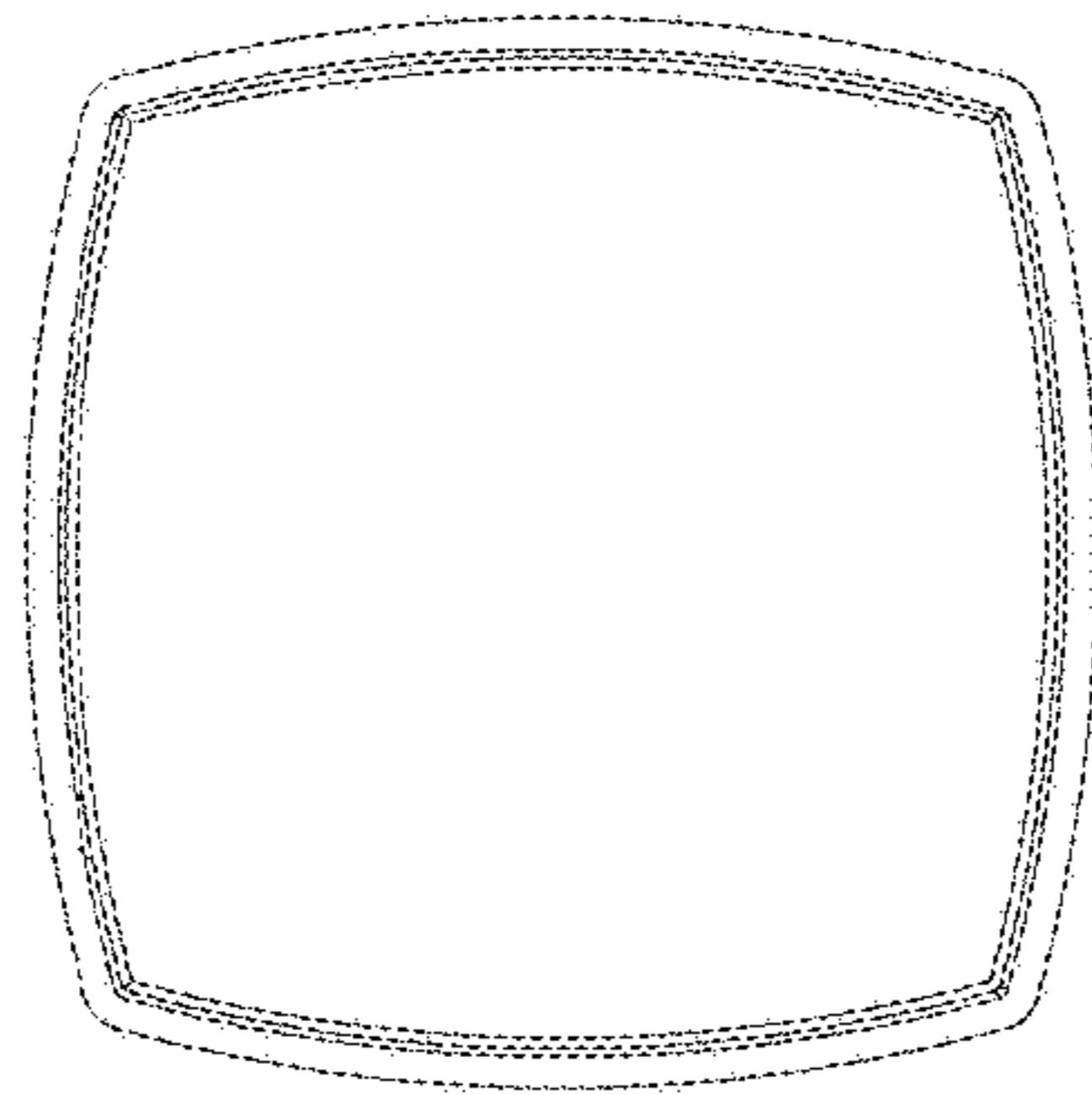


FIG.31

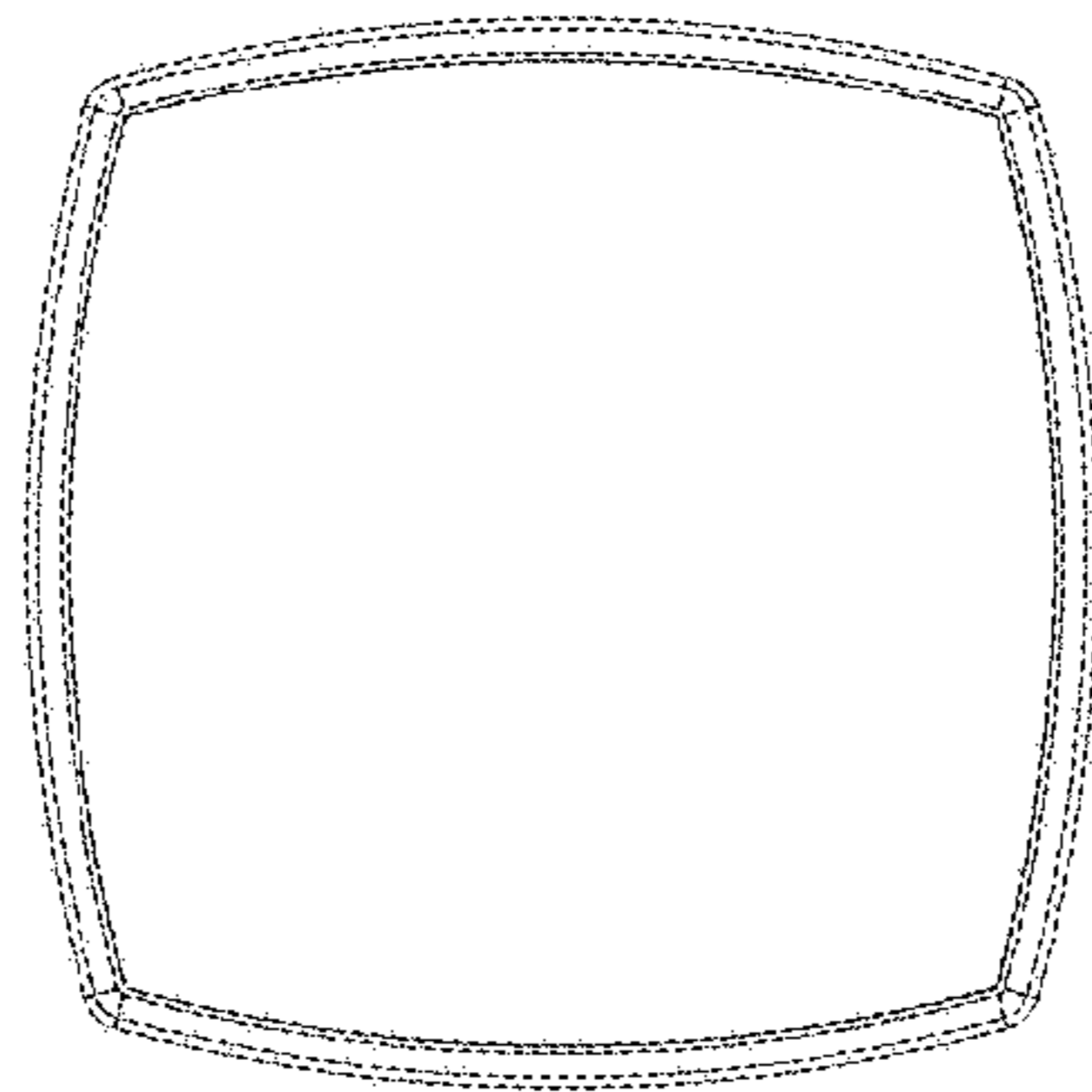


FIG.32

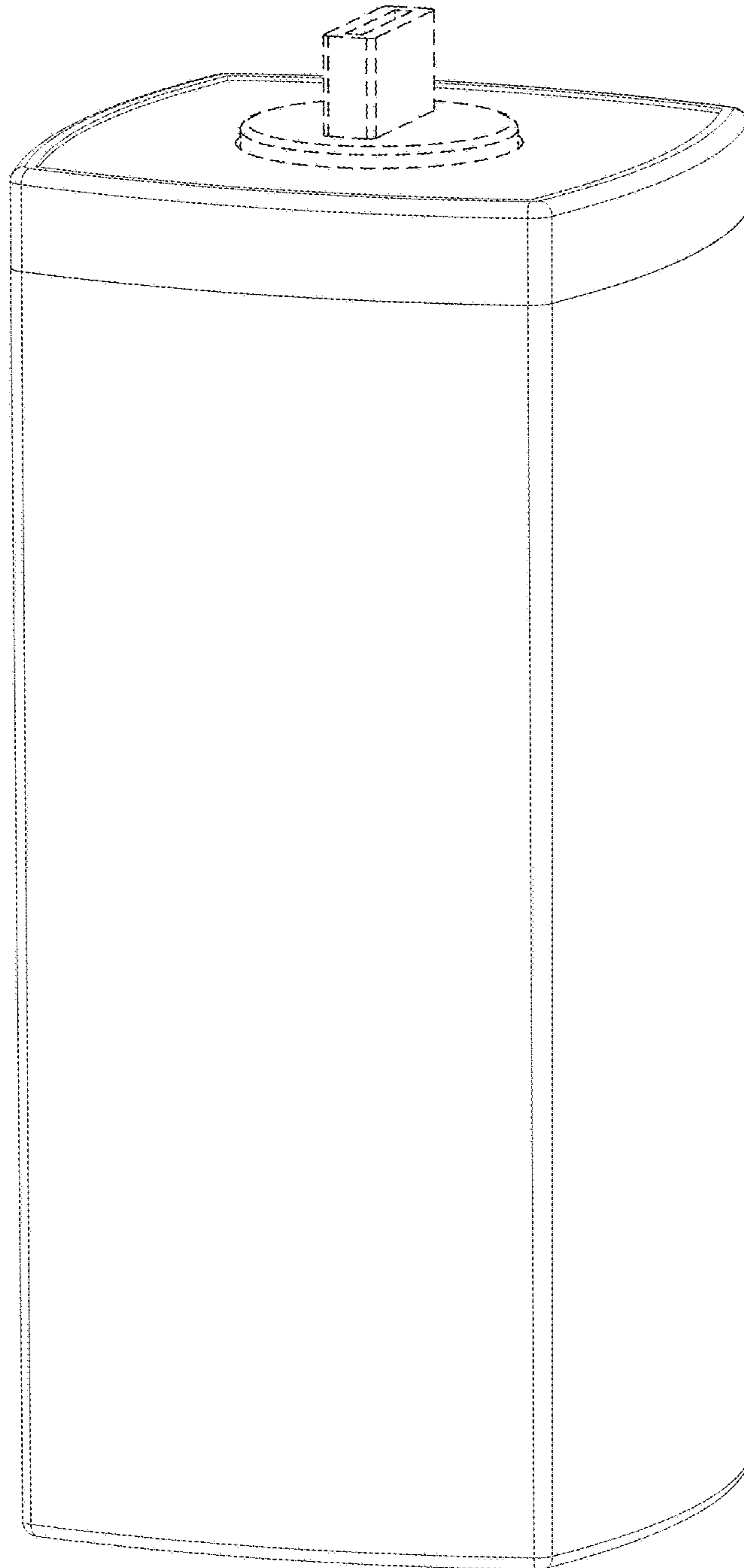


FIG.33

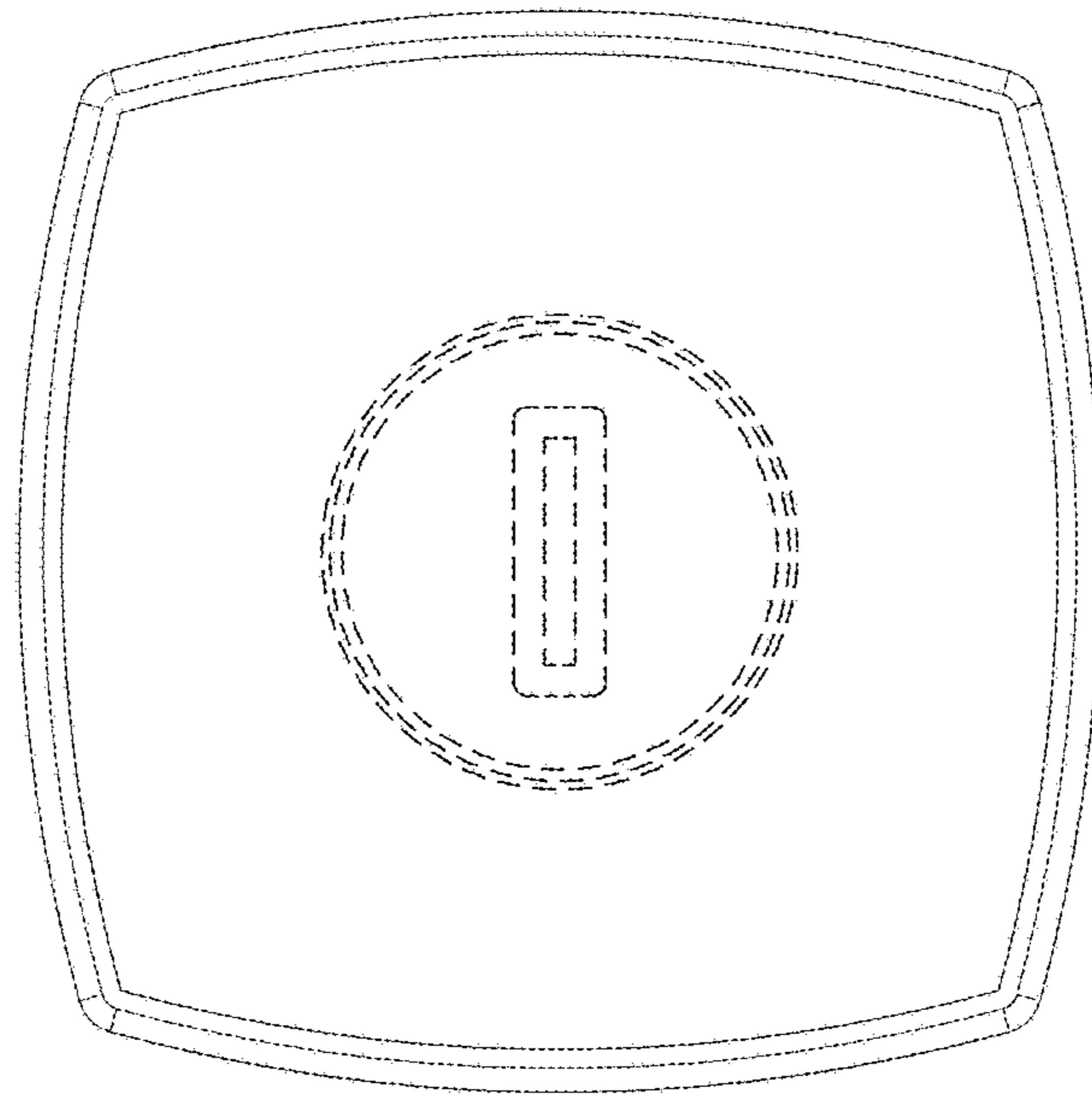


FIG.34

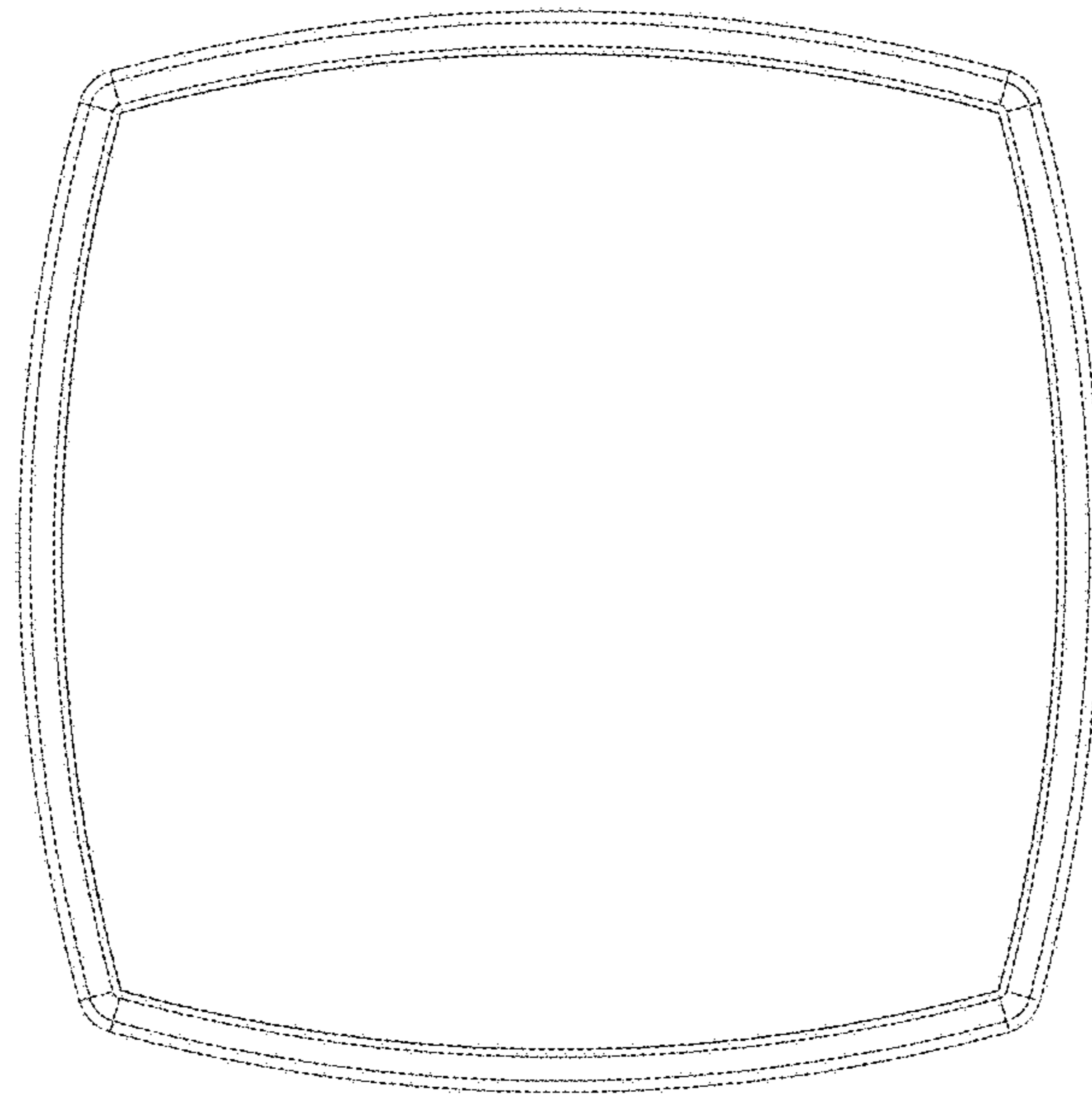


FIG.35

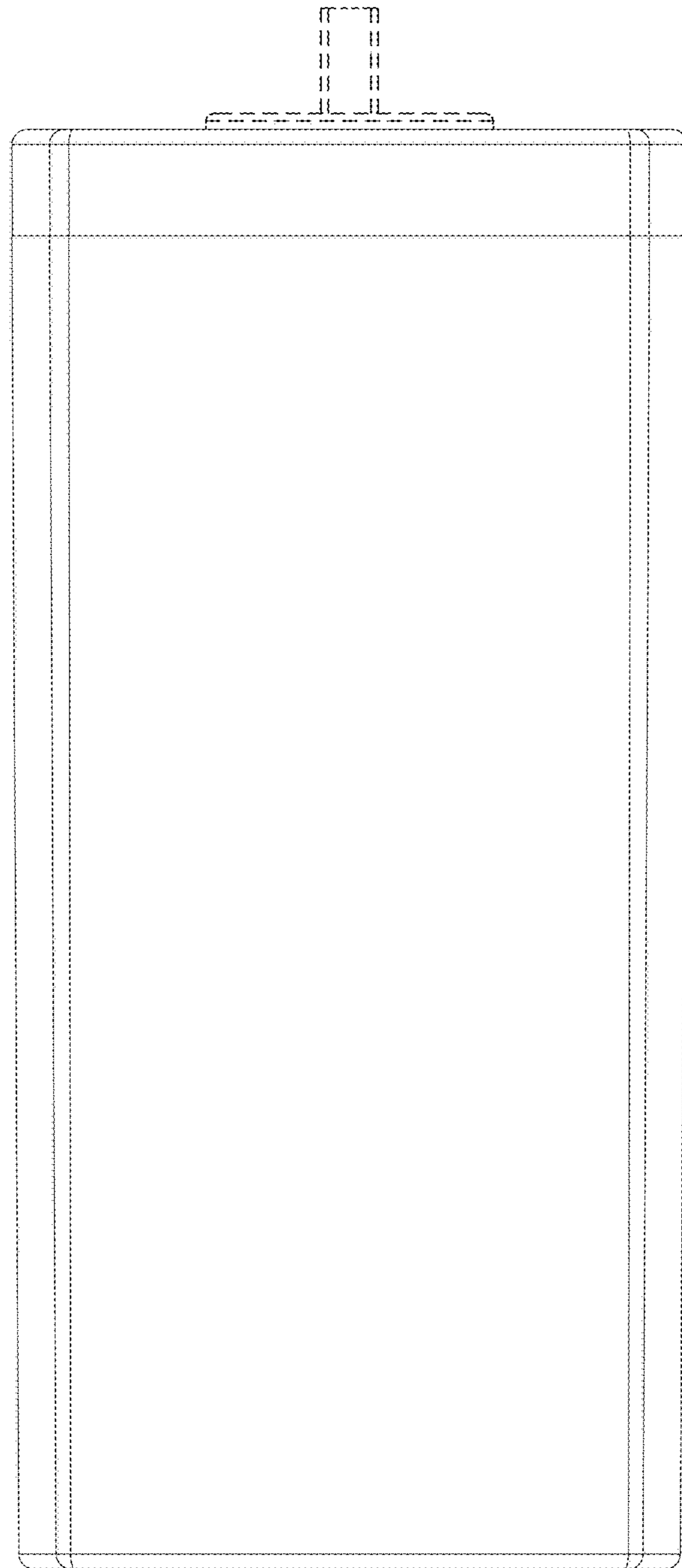


FIG.36

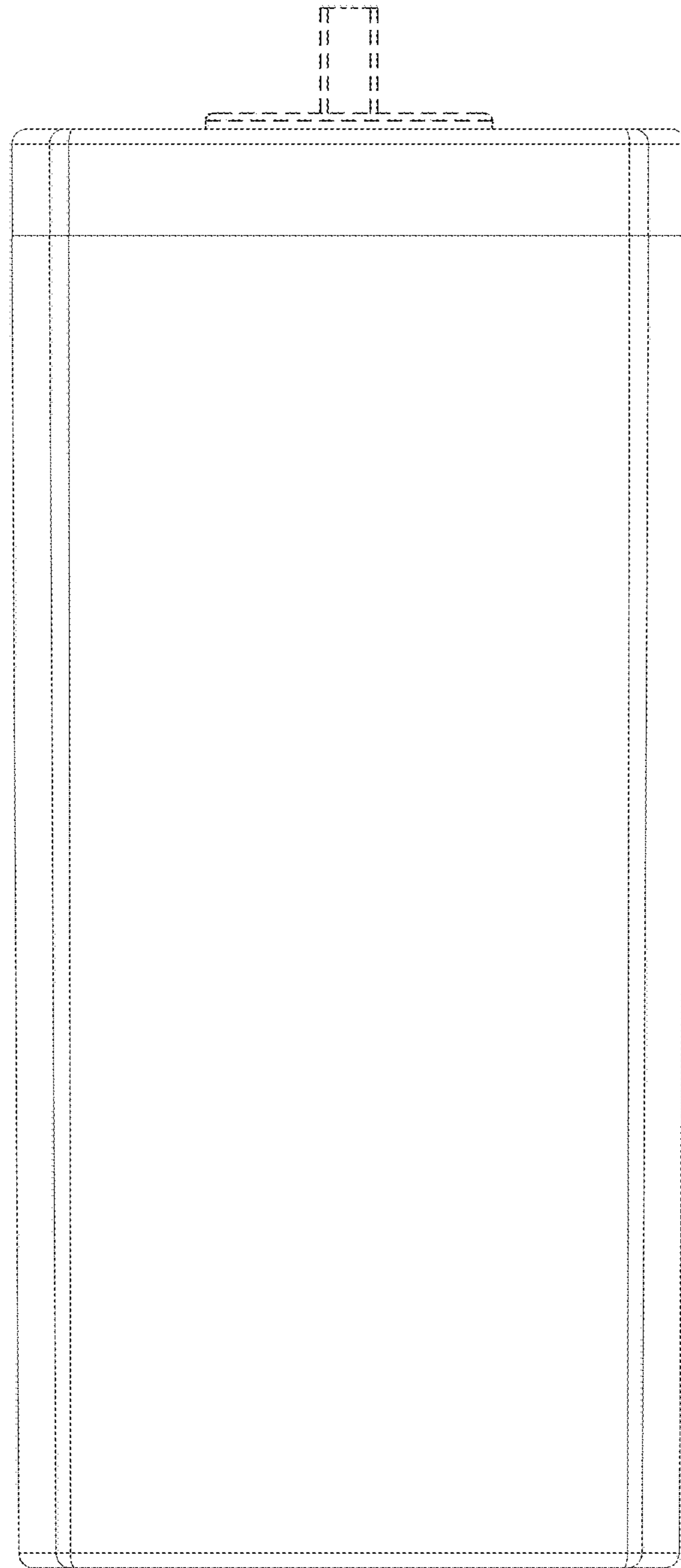


FIG.37

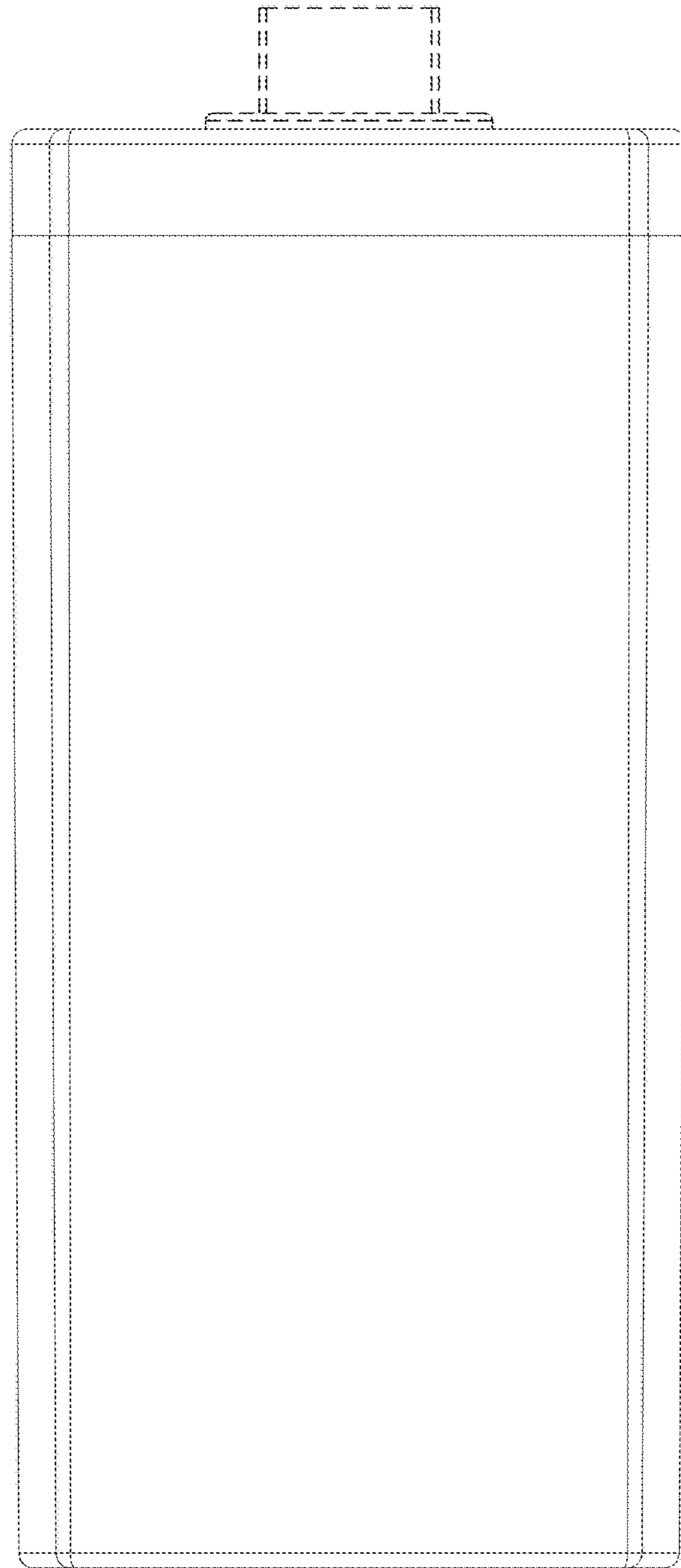


FIG.38

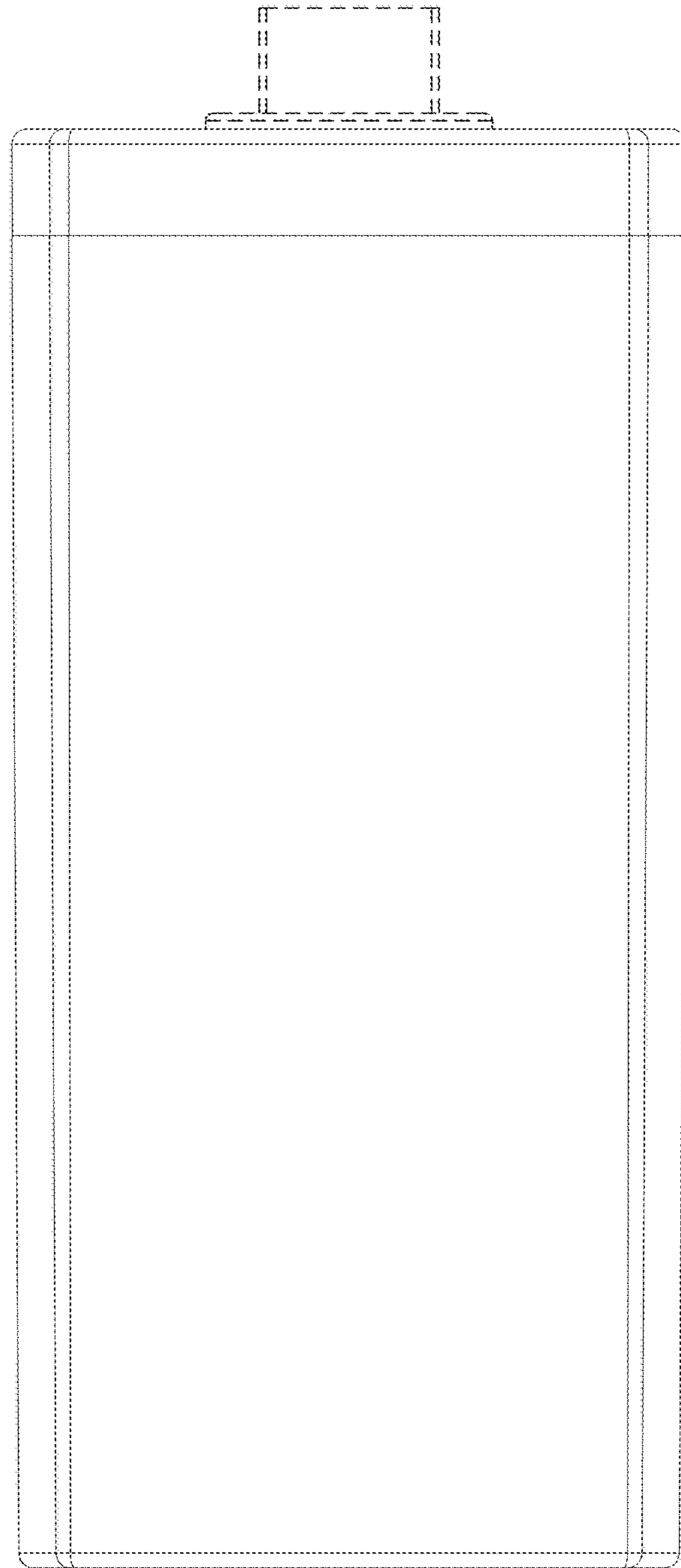


FIG.39

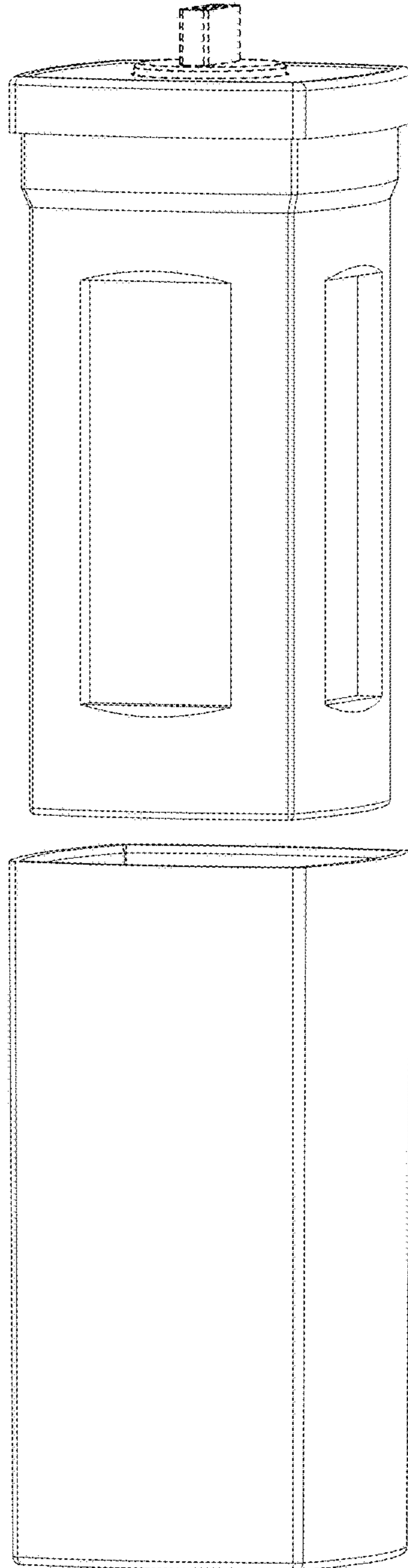


FIG.40

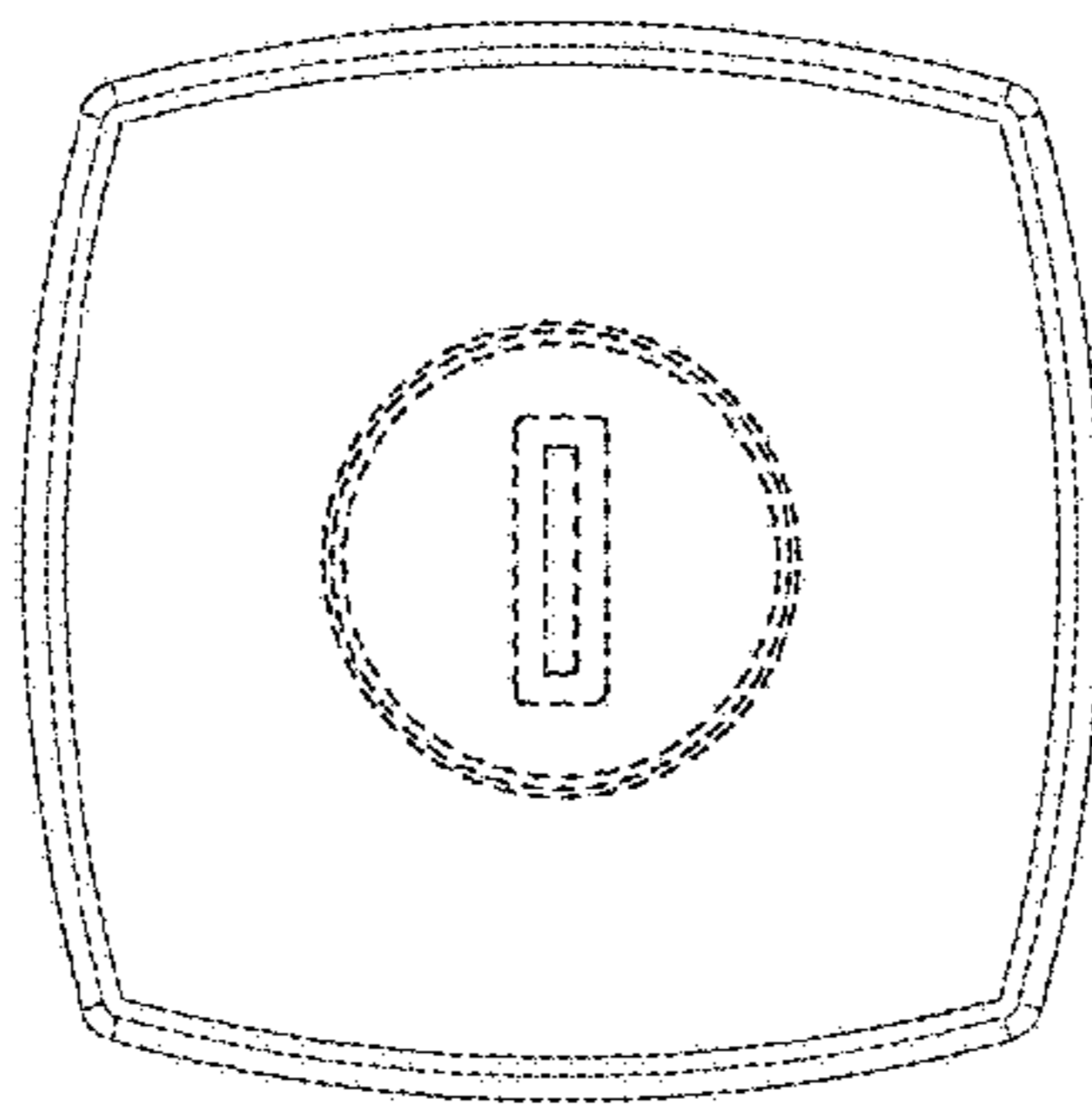


FIG.41

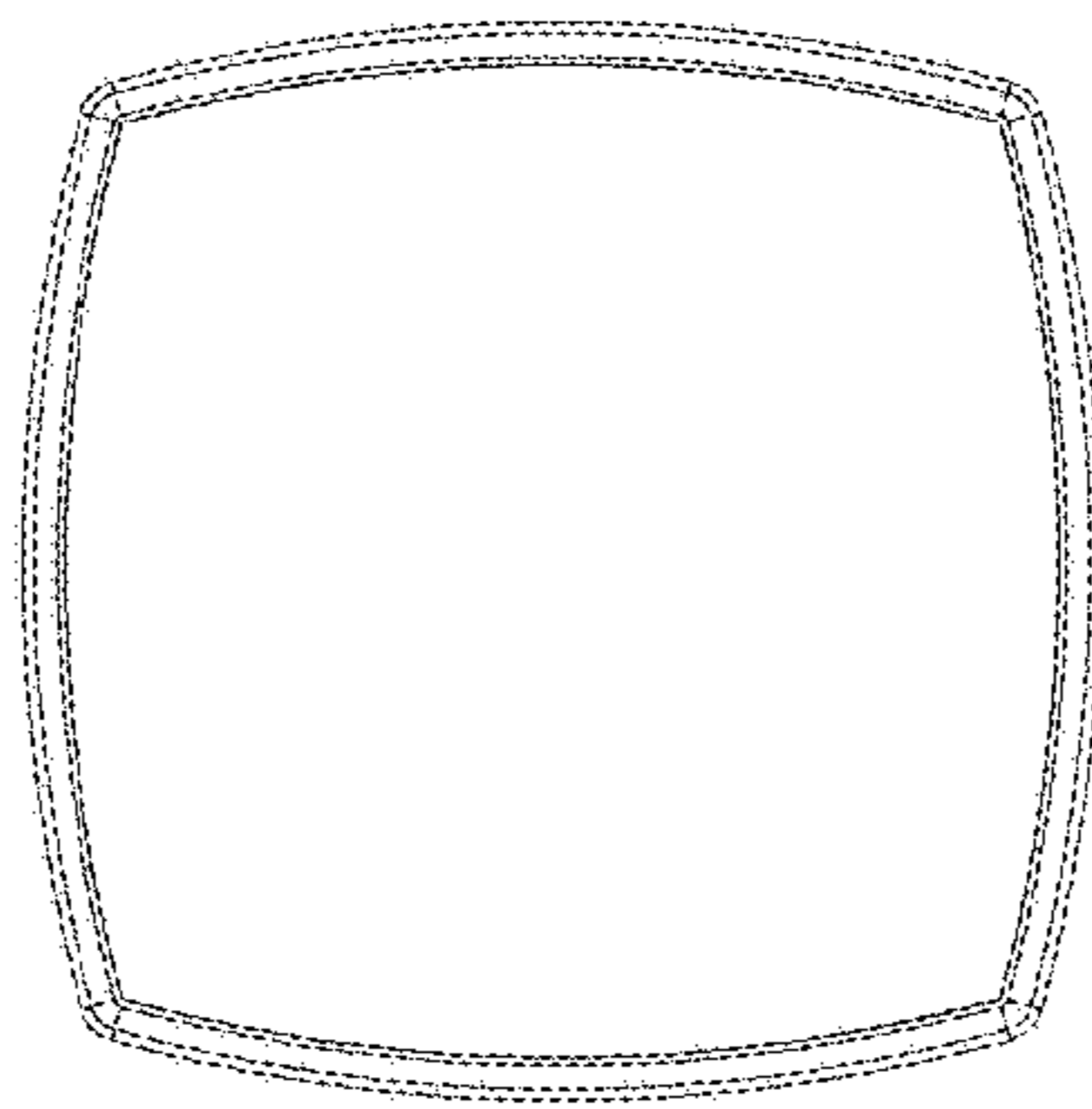


FIG.42

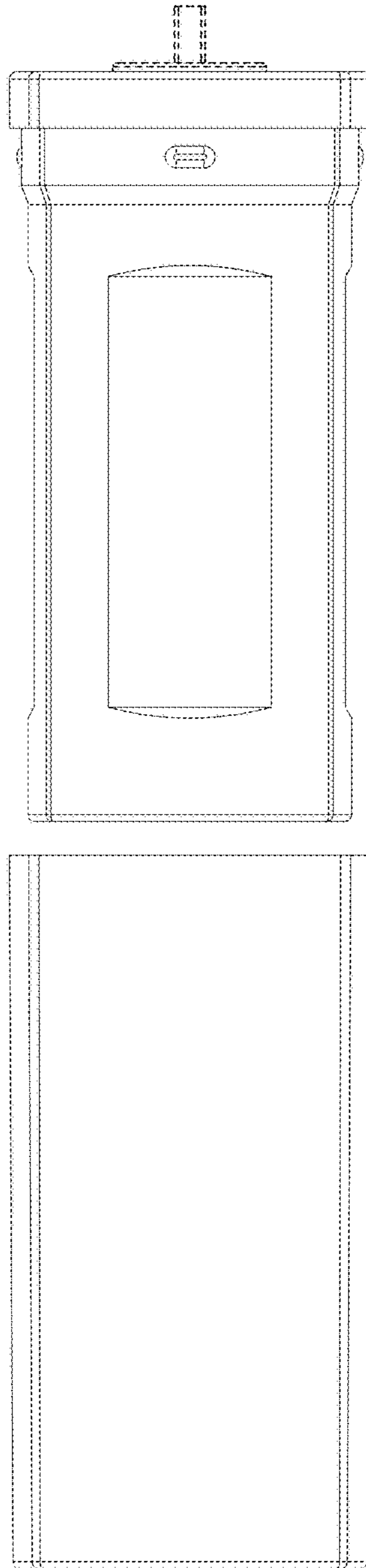


FIG.43

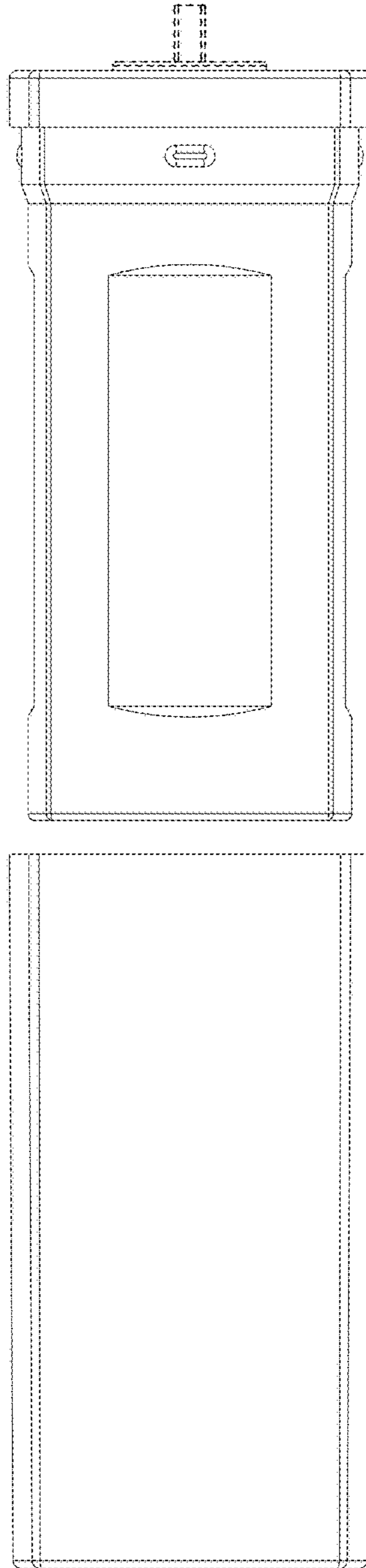


FIG.44

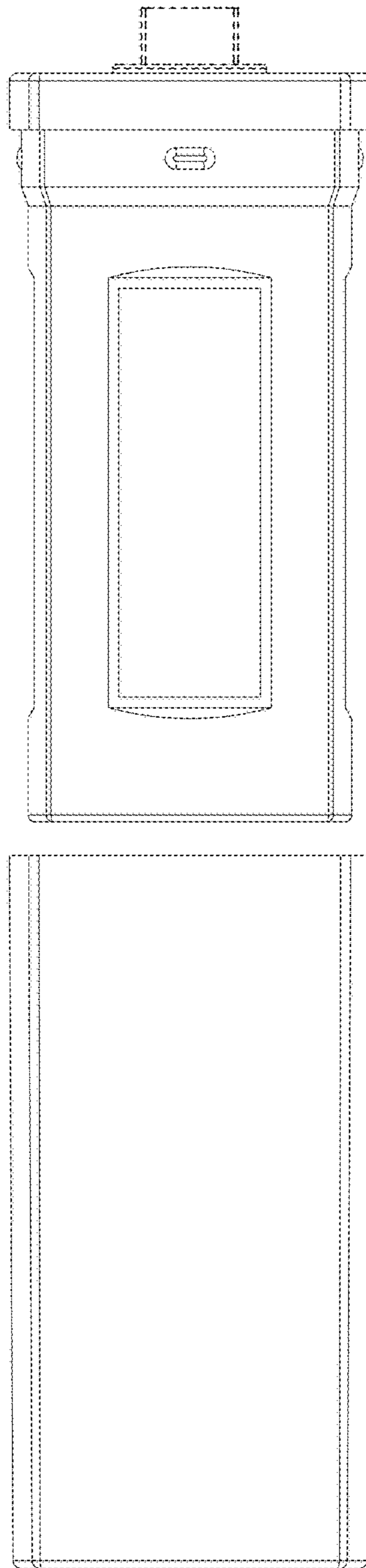


FIG.45

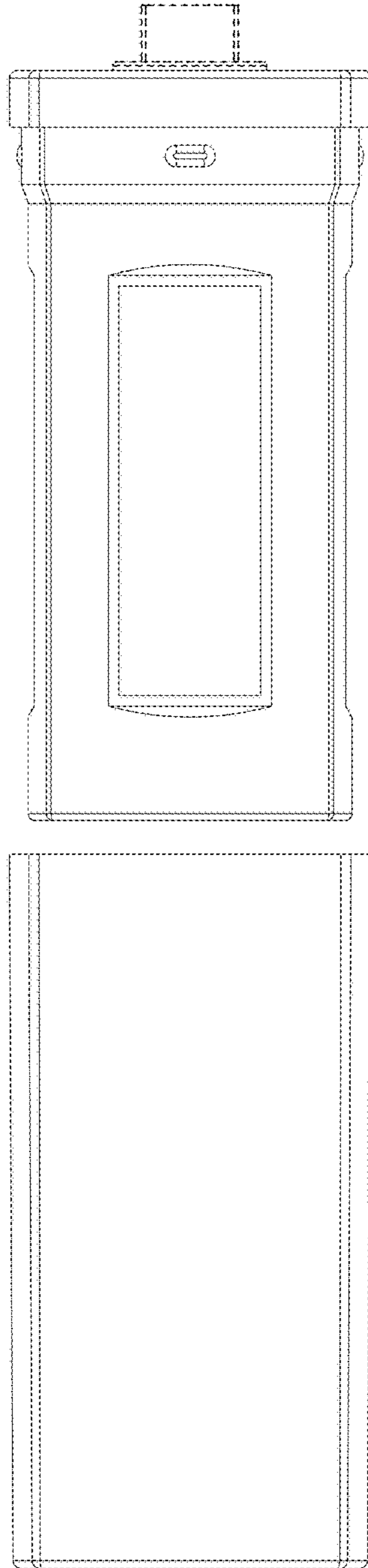


FIG.46

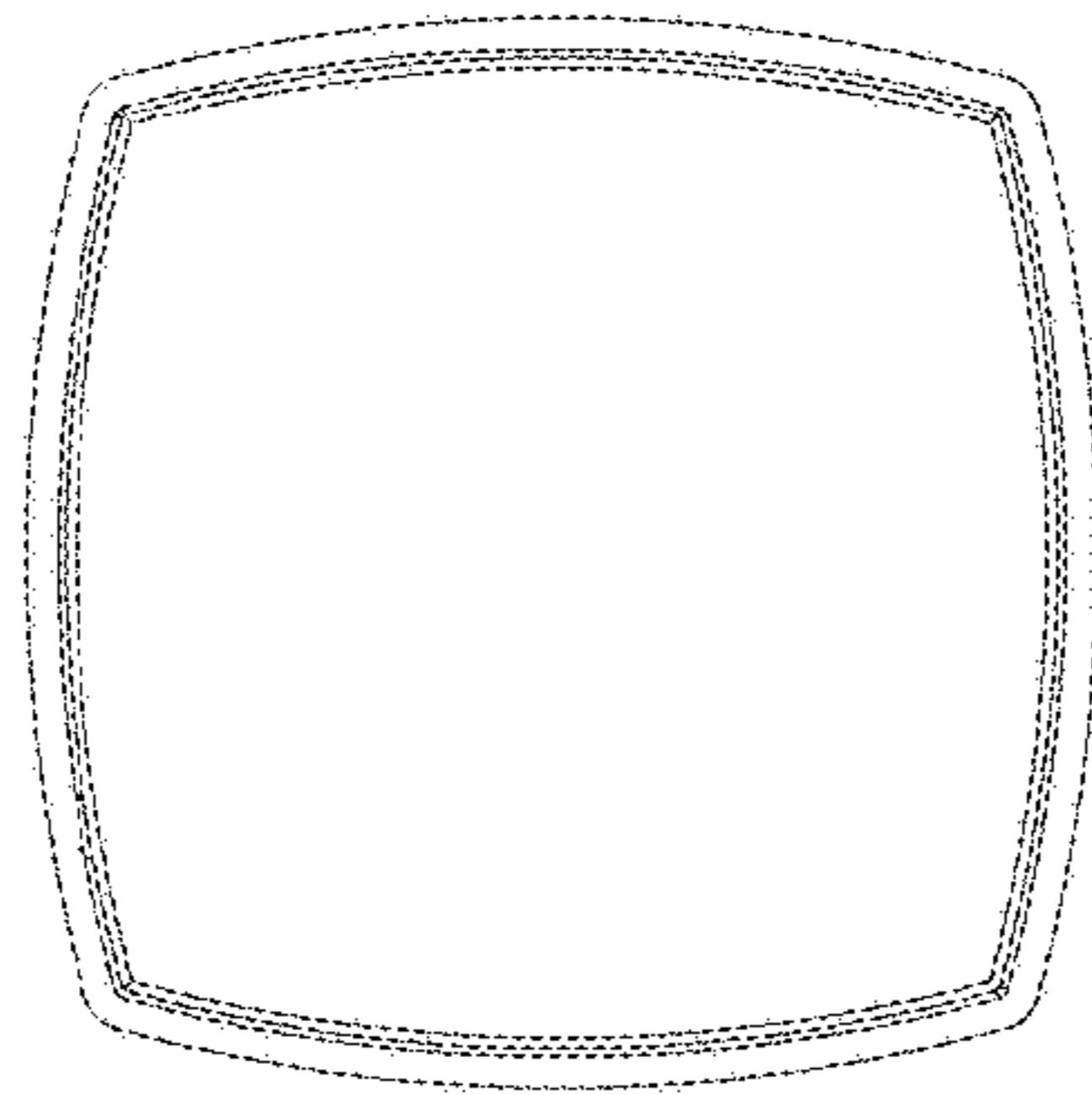


FIG.47

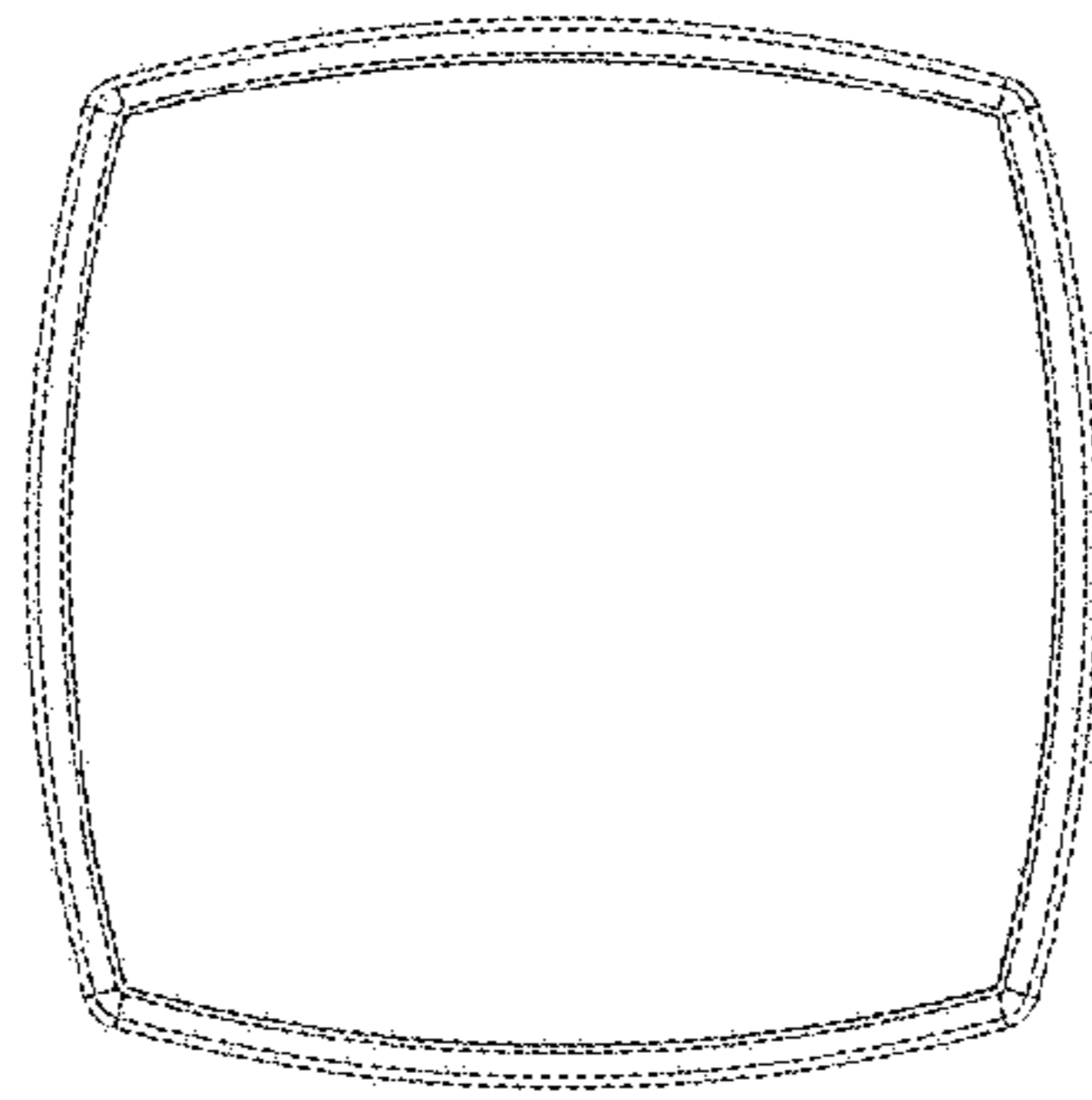


FIG.48