



US00D865296S

(12) **United States Design Patent**  
**Min**

(10) **Patent No.:** **US D865,296 S**

(45) **Date of Patent:** **\*\* \*Oct. 29, 2019**

- (54) **COSMETIC RECEPTACLE**
- (71) Applicant: **BARAM INTERNATIONAL CO., LTD.**, Seoul (KR)
- (72) Inventor: **Seul Ki Min**, Seoul (KR)
- (73) Assignee: **BARAM INTERNATIONAL CO., LTD.**, Seoul (KR)
- (\*) Notice: This patent is subject to a terminal disclaimer.
- (\*\*) Term: **15 Years**
- (21) Appl. No.: **29/633,851**
- (22) Filed: **Jan. 16, 2018**

(30) **Foreign Application Priority Data**  
Sep. 27, 2017 (KR) ..... 30-2017-0045649

- (51) **LOC (12) Cl.** ..... **28-03**
- (52) **U.S. Cl.**  
USPC ..... **D28/83**
- (58) **Field of Classification Search**  
USPC .... D28/64.1, 76-84; D9/414, 430, 503-505, D9/722, 529, 737, 756, 759; D3/295  
CPC ..... A45D 33/006; A45D 33/003; A45D 33/04-33; A45D 33/025; A45D 33/02; A45D 33/20; A45D 33/22; A45D 33/24; A45D 33/26; A45D 33/28; A45D 33/18; A45D 40/22; A45D 40/222; A45D 40/24  
See application file for complete search history.

- (56) **References Cited**  
U.S. PATENT DOCUMENTS  
D65,681 S \* 9/1924 Worth ..... D28/91  
1,612,409 A \* 12/1926 Anderson ..... A45D 33/025  
132/295  
1,735,483 A \* 11/1929 Wacker ..... A45D 33/006  
132/296

- 1,778,575 A \* 10/1930 Wacker ..... A45D 33/006  
132/301
  - 1,845,507 A \* 2/1932 McAtree ..... A45D 33/006  
132/296
  - 1,875,127 A \* 8/1932 Parkin ..... A45D 33/24  
132/296
  - 1,959,784 A \* 5/1934 Goertz ..... A45D 33/006  
132/303
  - 2,046,133 A \* 6/1936 Rathbun ..... B65D 43/168  
16/DIG. 19
  - D270,579 S \* 9/1983 Numbers ..... D28/78
  - D276,470 S \* 11/1984 Lo ..... D28/64.3
- (Continued)

**FOREIGN PATENT DOCUMENTS**

JP 1611707 S 8/2018

**OTHER PUBLICATIONS**

Paradise Dual Palette, Dear Dahlia, published on Aug. 7, 2018 on youtube.com, retrieved on Jan. 14, 2019, retrieved from the Internet URL: <https://www.youtube.com/watch?v=P0lvDNiDd-Y>.\*

(Continued)

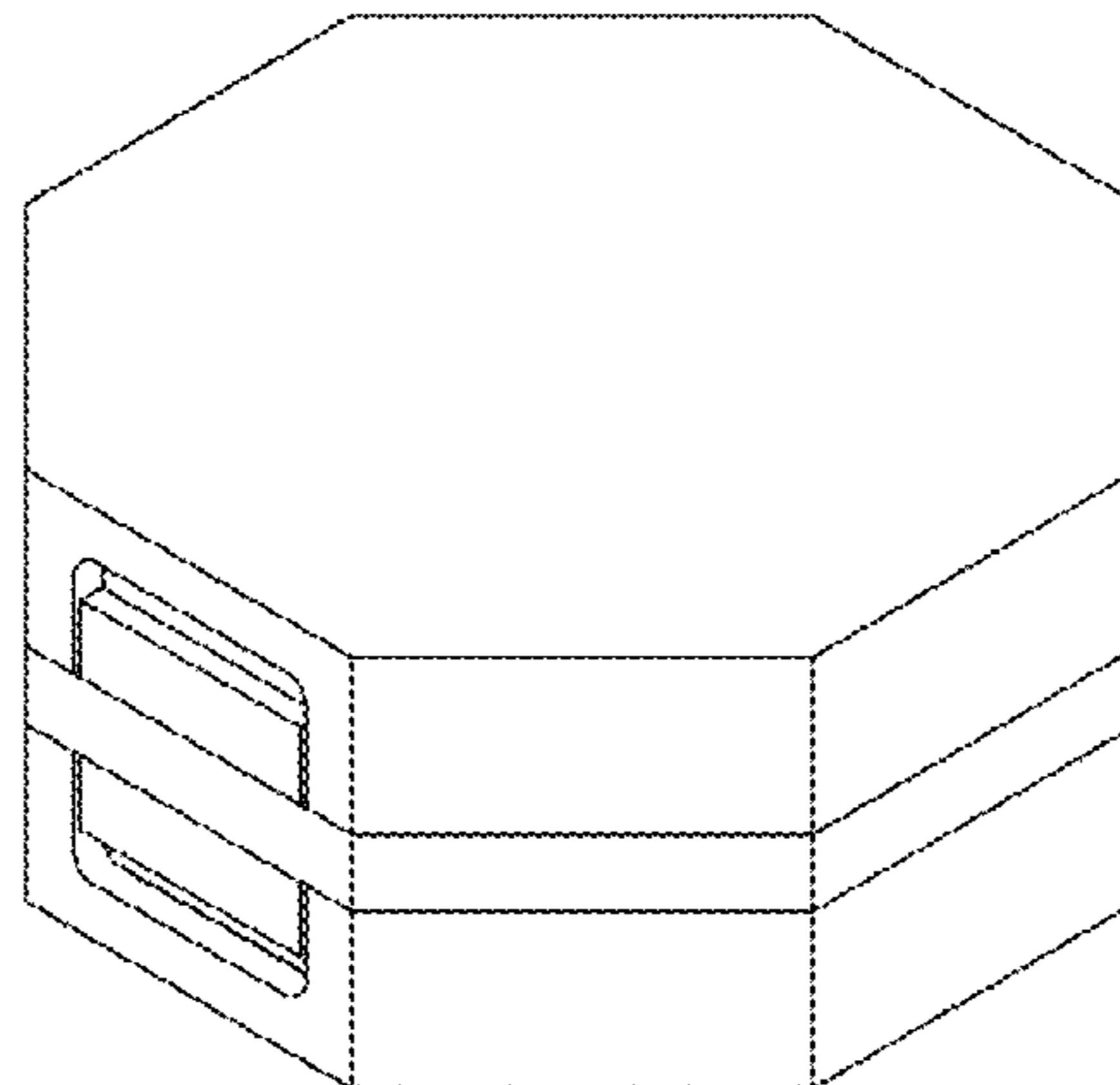
*Primary Examiner* — Jennifer Rivard  
*Assistant Examiner* — Alison M Ofstun  
(74) *Attorney, Agent, or Firm* — Hauptman Ham, LLP

(57) **CLAIM**  
The ornamental design for a cosmetic receptacle, as shown and described.

**DESCRIPTION**

FIG. 1 is a perspective view of a cosmetic receptacle showing my new design;  
FIG. 2 is a front view thereof;  
FIG. 3 is a rear view thereof;  
FIG. 4 is a left side view thereof;  
FIG. 5 is a right side view thereof;  
FIG. 6 is a top view thereof; and,  
FIG. 7 is a bottom view thereof.

**1 Claim, 7 Drawing Sheets**



(56)

**References Cited**

U.S. PATENT DOCUMENTS

D309,043	S	*	7/1990	Bakic	.....	D28/78
D309,511	S	*	7/1990	Bertlin	.....	D28/78
D313,288	S	*	12/1990	Bakic	.....	D28/77
D314,066	S	*	1/1991	Bakic	.....	D28/77
D318,144	S	*	7/1991	Scarpa	.....	D28/78
D544,342	S	*	6/2007	Liebe	.....	D28/78
D552,982	S	*	10/2007	Liebe	.....	D28/78
2017/0273438	A1	*	9/2017	Liu	.....	A45D 40/221

OTHER PUBLICATIONS

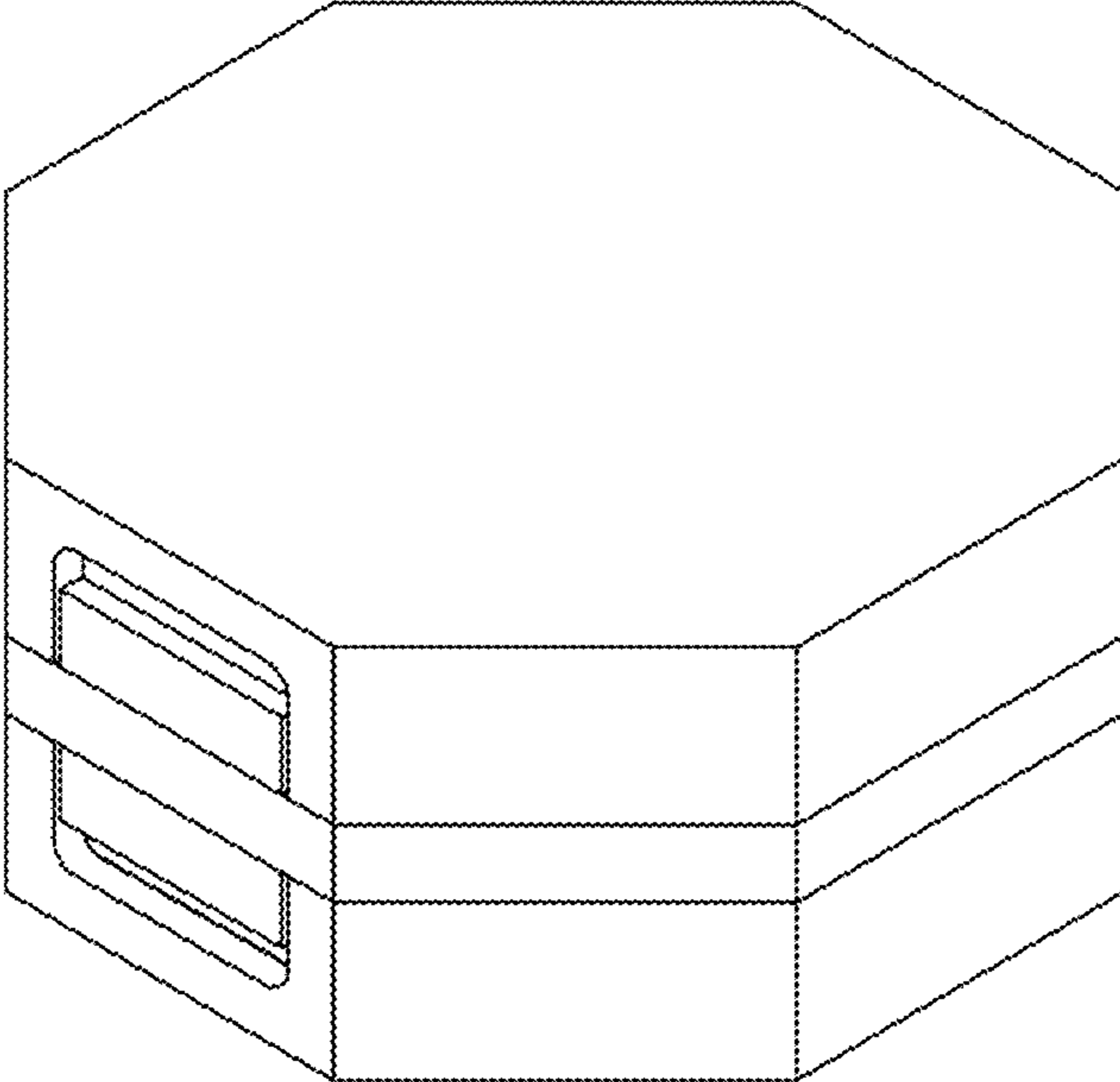
The Notice of Preliminary Rejection dated Mar. 8, 2018 in connection with the counterpart Korean Patent Application No. 30-2017-0045649.

The Request for Consultation dated Mar. 8, 2018 in connection with the counterpart Korean Patent Application Nos. 30-2017-0045648 and 30-2017-0045649.

Japanese Office Action dated Jan. 8, 2019 in connection with the counterpart Japanese Patent Application No. 2018-001003.

\* cited by examiner

FIG. 1



**FIG. 2**

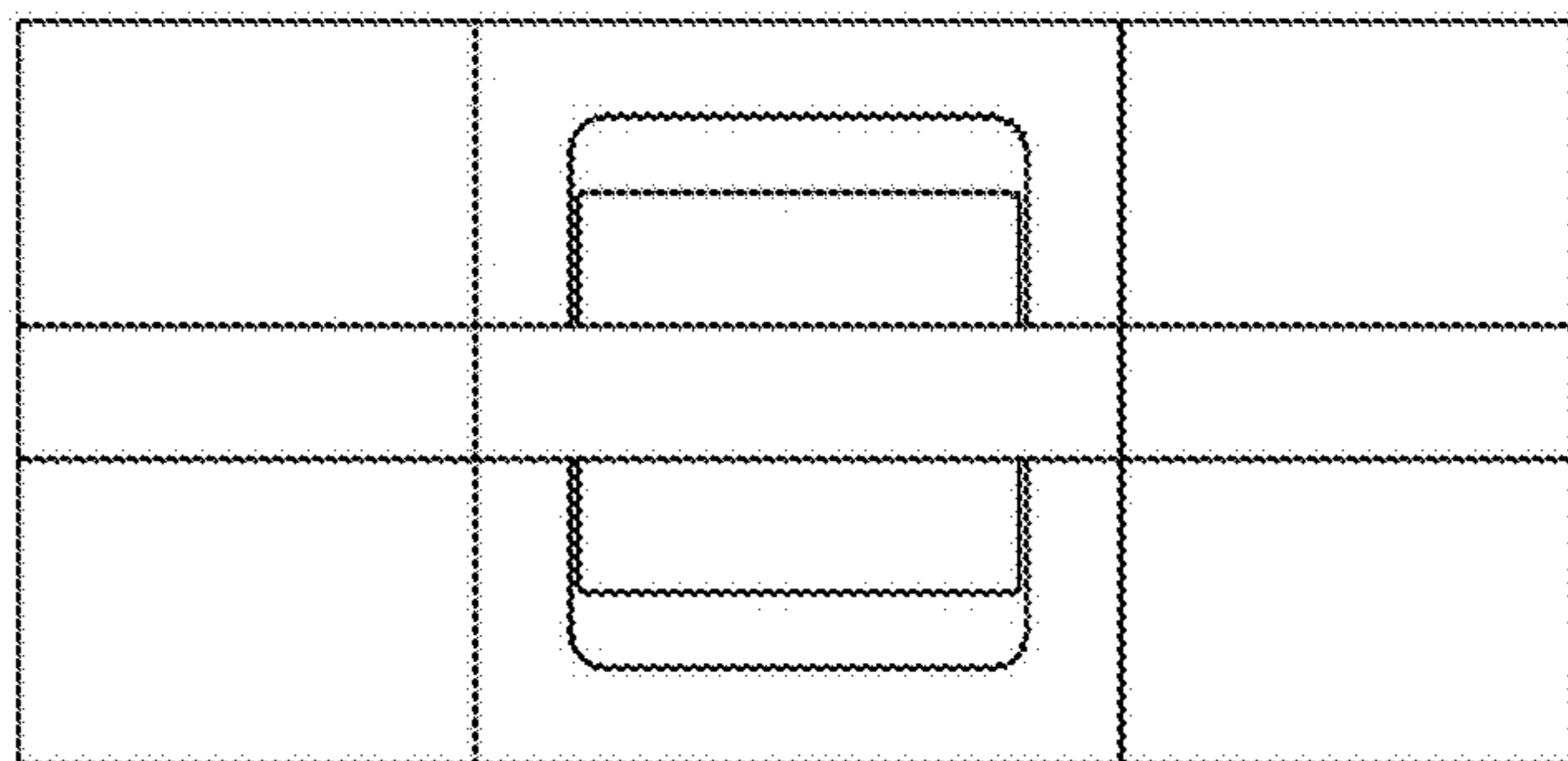
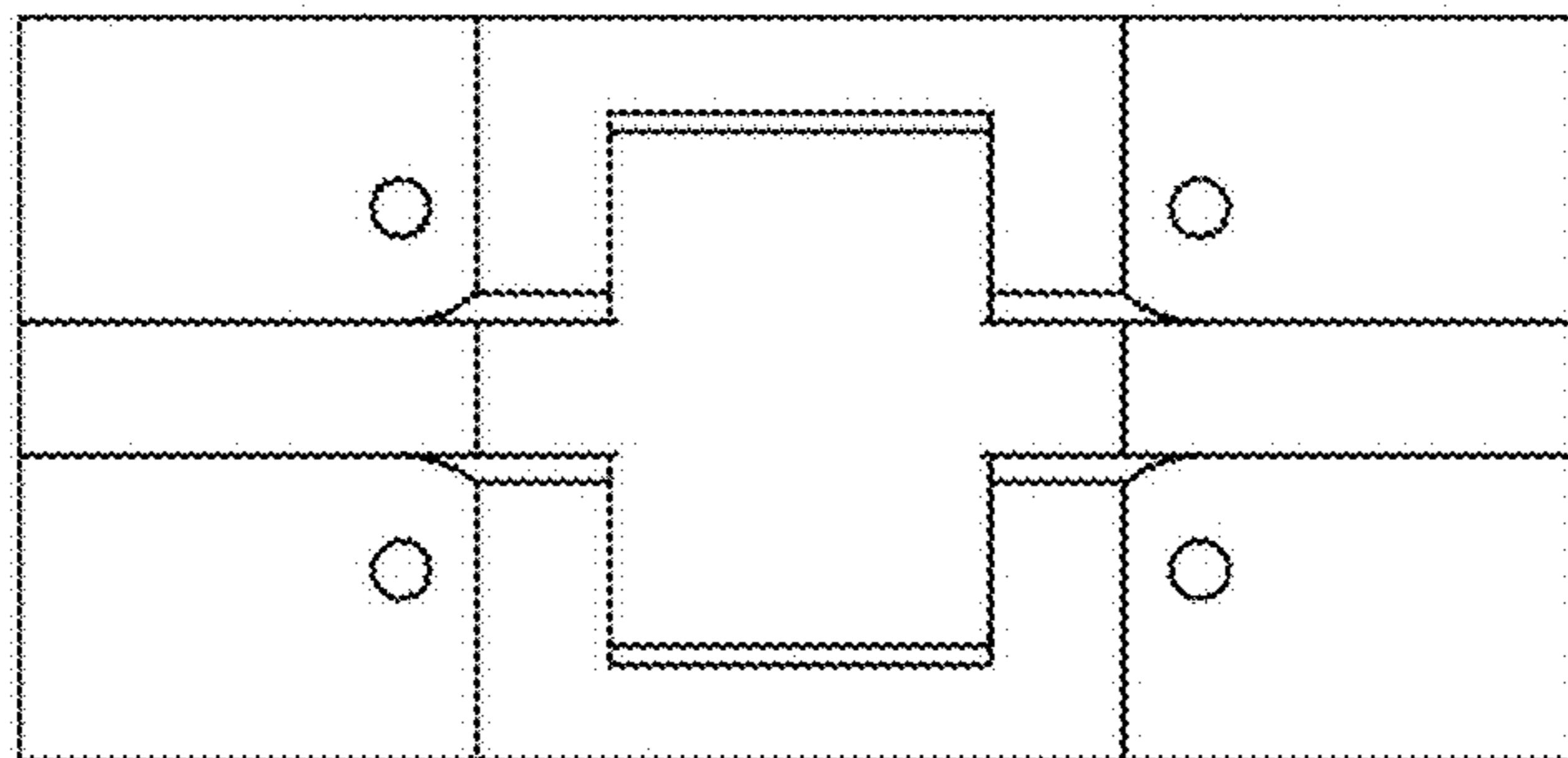
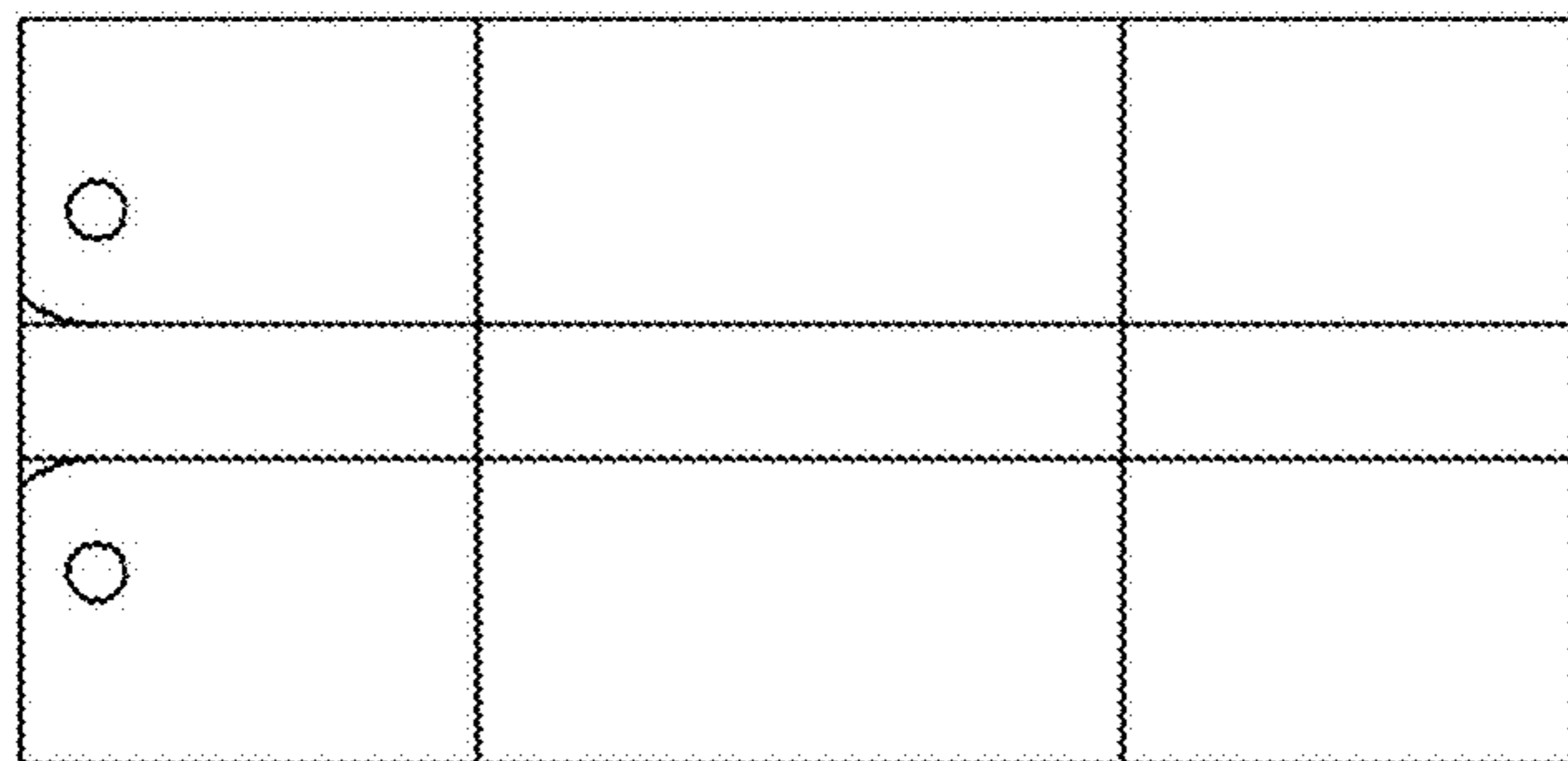


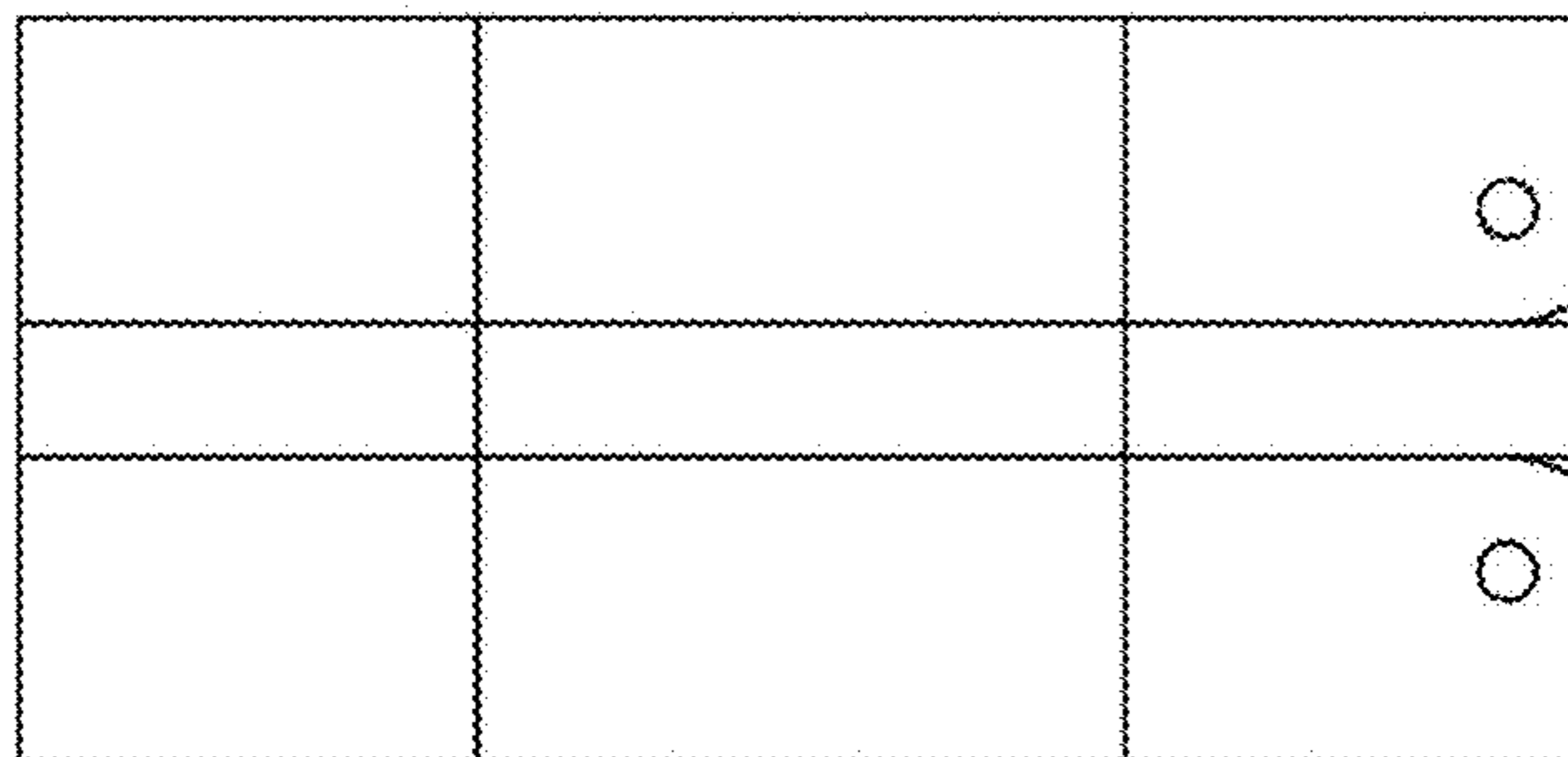
FIG. 3



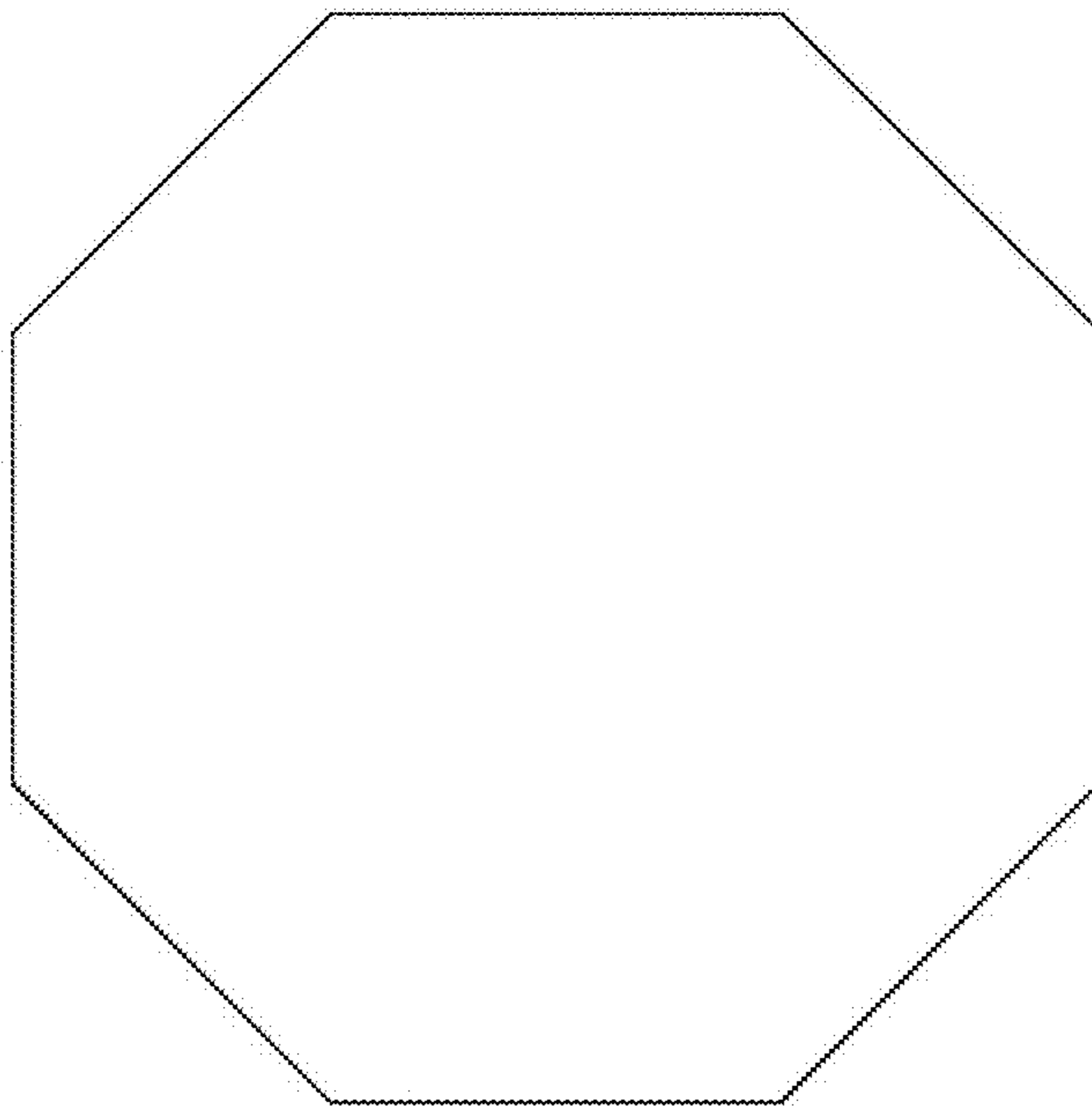
**FIG. 4**



**FIG. 5**



**FIG. 6**





**FIG. 7**

