



US00D865295S

(12) **United States Design Patent** (10) **Patent No.:** **US D865,295 S**  
**Adams et al.** (45) **Date of Patent:** **\*\* Oct. 29, 2019**

(54) **ROLLER FOR HARD SKIN REMOVAL DEVICE**

(71) Applicant: **Reckitt Benckiser (Brands) Limited**, Slough (GB)

(72) Inventors: **Thomas Adams**, Hull (GB); **Rebecca Brookes**, Hull (GB); **Carolyn Buckley**, Hull (GB); **Ashley Pointon**, Hull (GB); **Christopher Witty**, Hull (GB); **Simon Woolley**, Hull (GB)

(73) Assignee: **RECKITT BENCKISER HEALTH LIMITED**, Slough (GB)

(\*\*) Term: **15 Years**

(21) Appl. No.: **29/628,273**

(22) Filed: **Dec. 4, 2017**

(30) **Foreign Application Priority Data**

Jun. 5, 2017 (GB) ..... 004032563-0004

(51) **LOC (12) Cl.** ..... **28-03**

(52) **U.S. Cl.**  
USPC ..... **D28/62**

(58) **Field of Classification Search**  
USPC ..... D28/57-59, 62; D24/133, 146, 211-215  
CPC .. A45D 29/00; A45D 29/04-05; A61B 17/54;  
A61B 2017/00424

See application file for complete search history.

(56) **References Cited**

**U.S. PATENT DOCUMENTS**

D299,972 S \* 2/1989 Moore ..... 401/208  
8,337,109 B2 \* 12/2012 Petit ..... A45D 33/12  
401/219

D676,975 S \* 2/2013 Bickford ..... D24/211  
D677,391 S \* 3/2013 Bickford ..... D24/211  
D677,392 S \* 3/2013 Bickford ..... D24/211  
D678,540 S \* 3/2013 Bickford ..... D24/211  
D678,541 S \* 3/2013 Bickford ..... D24/211  
D678,542 S \* 3/2013 Bickford ..... D24/211  
8,844,543 B2 \* 9/2014 Bickford ..... A45D 34/041  
132/320

**OTHER PUBLICATIONS**

Amope Pedi Perfect Foot File Refills, www.amazon.com. 1 page, reviewed as early as Oct. 2015.\*

\* cited by examiner

*Primary Examiner* — Jennifer Rivard

(74) *Attorney, Agent, or Firm* — Troutman Sanders LLP;  
Ryan Schneider; Chris Davis

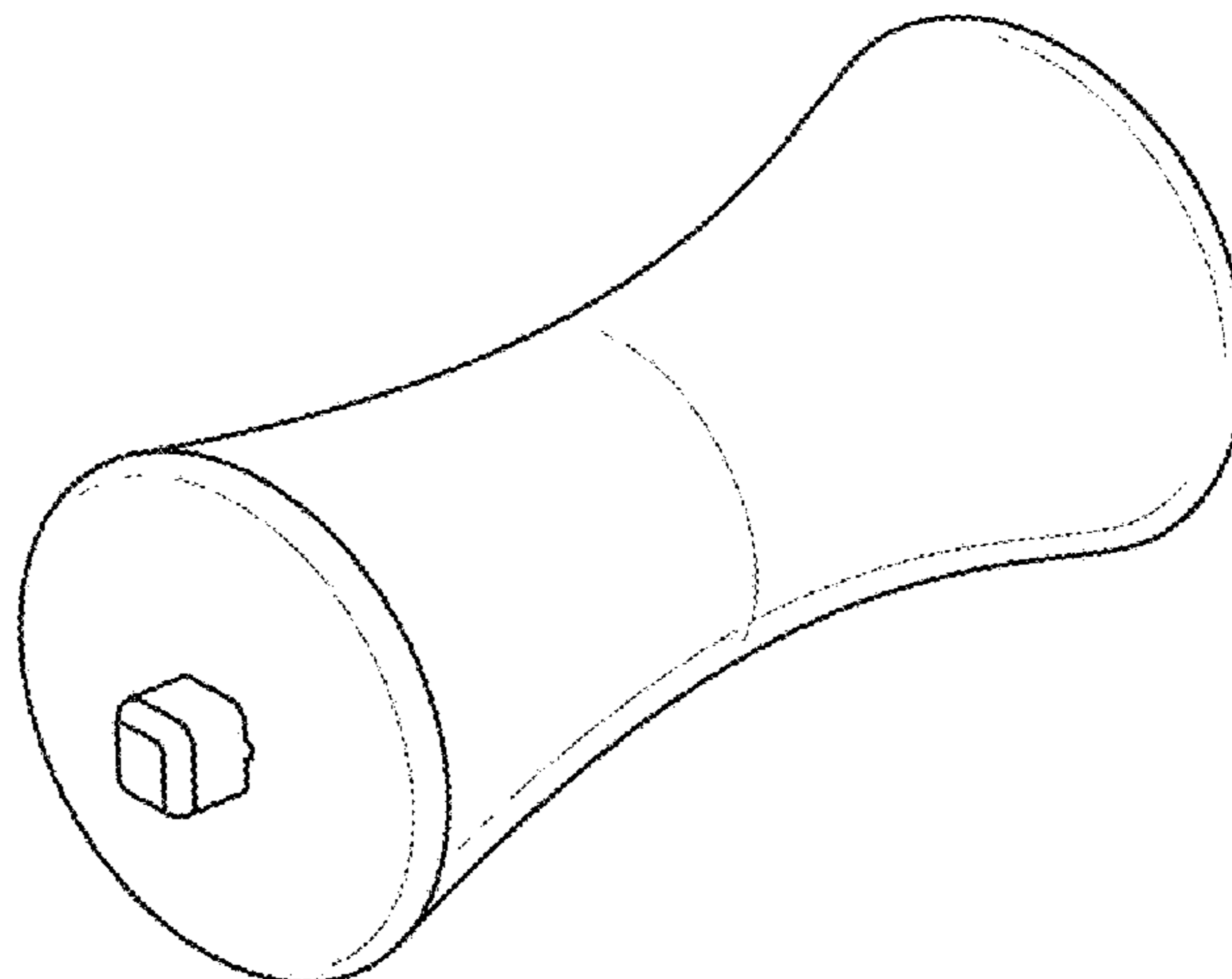
(57) **CLAIM**

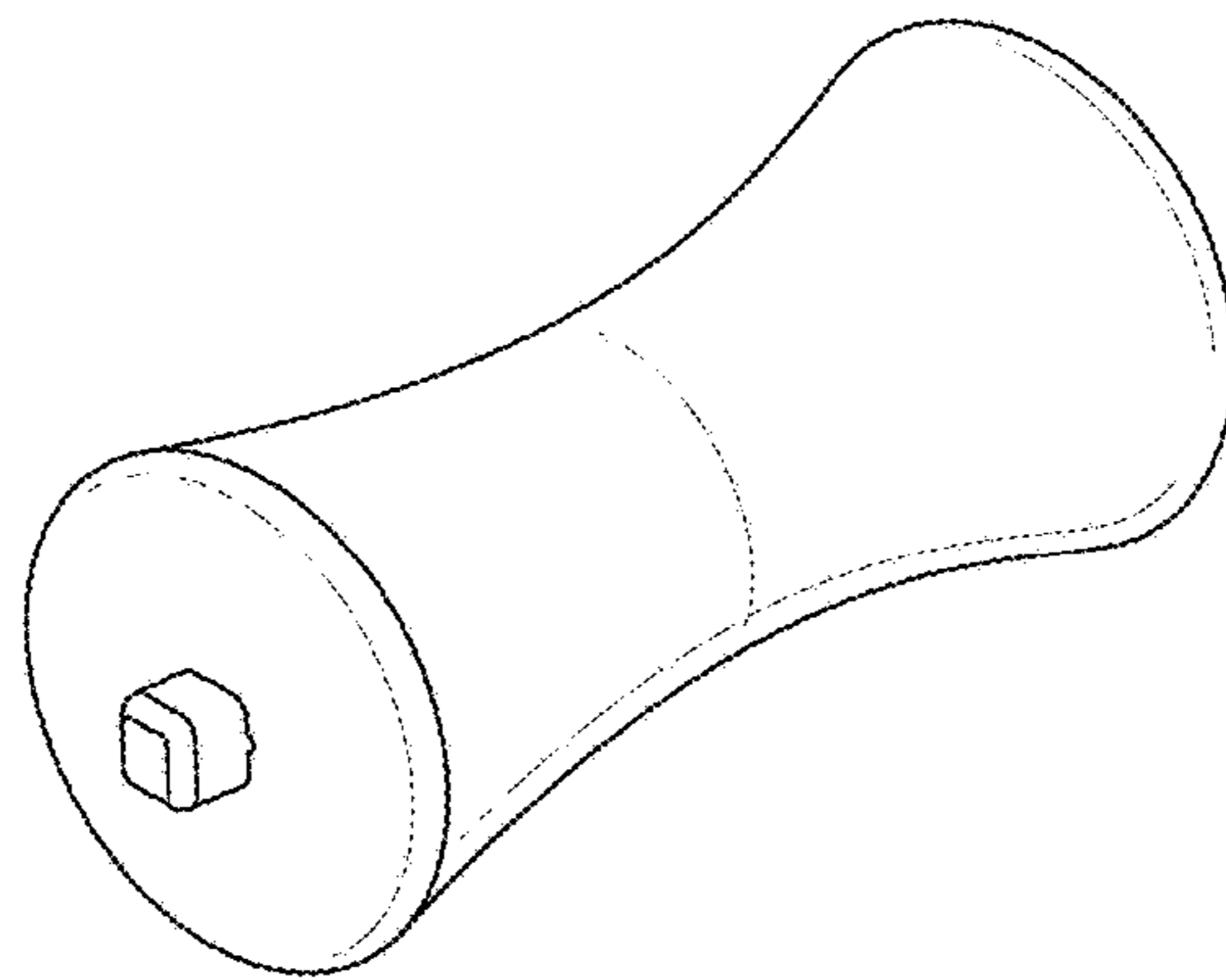
The ornamental design for a roller for hard skin removal device, as shown and described.

**DESCRIPTION**

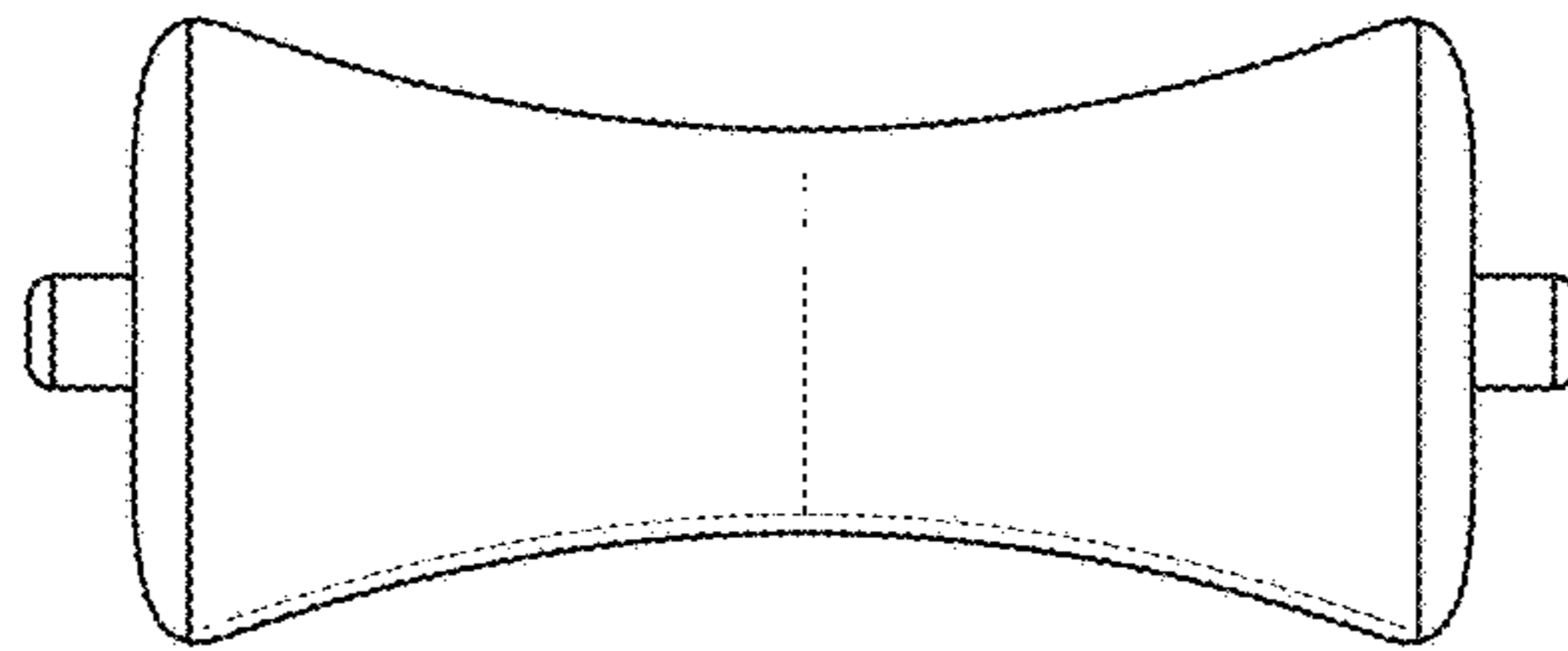
FIG. 1 is a perspective view of our new design for a roller for hard skin removal device;  
FIG. 2 is a front elevational view thereof;  
FIG. 3 is a left side elevational view thereof; and,  
FIG. 4 is a right side elevational view thereof.

**1 Claim, 4 Drawing Sheets**

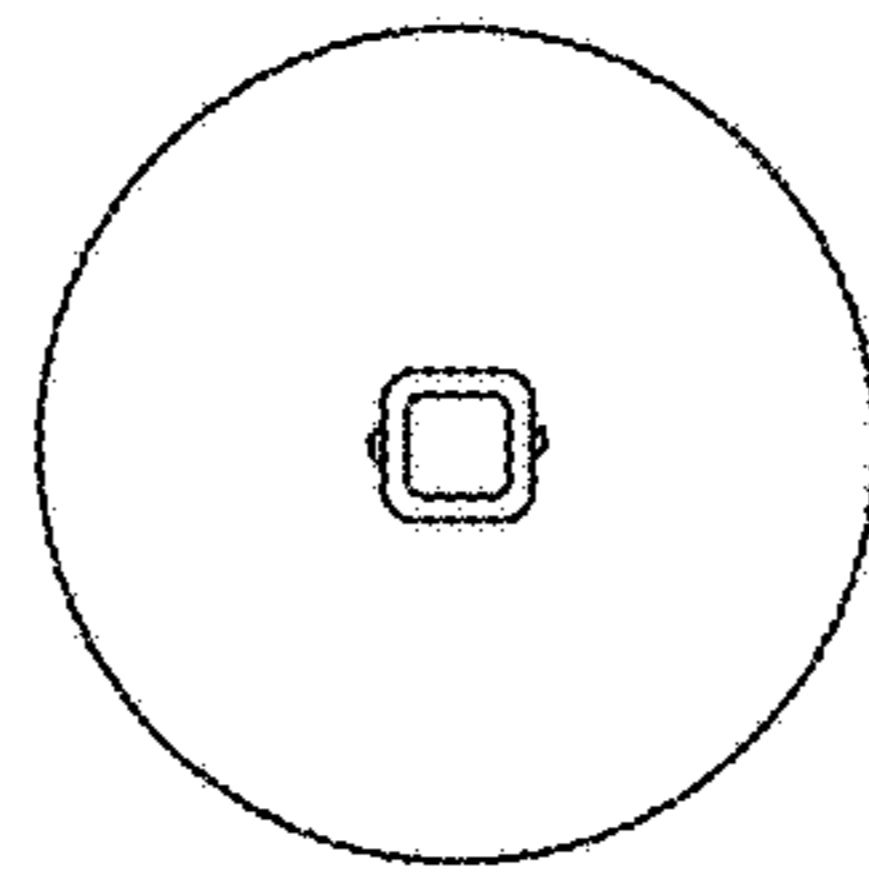




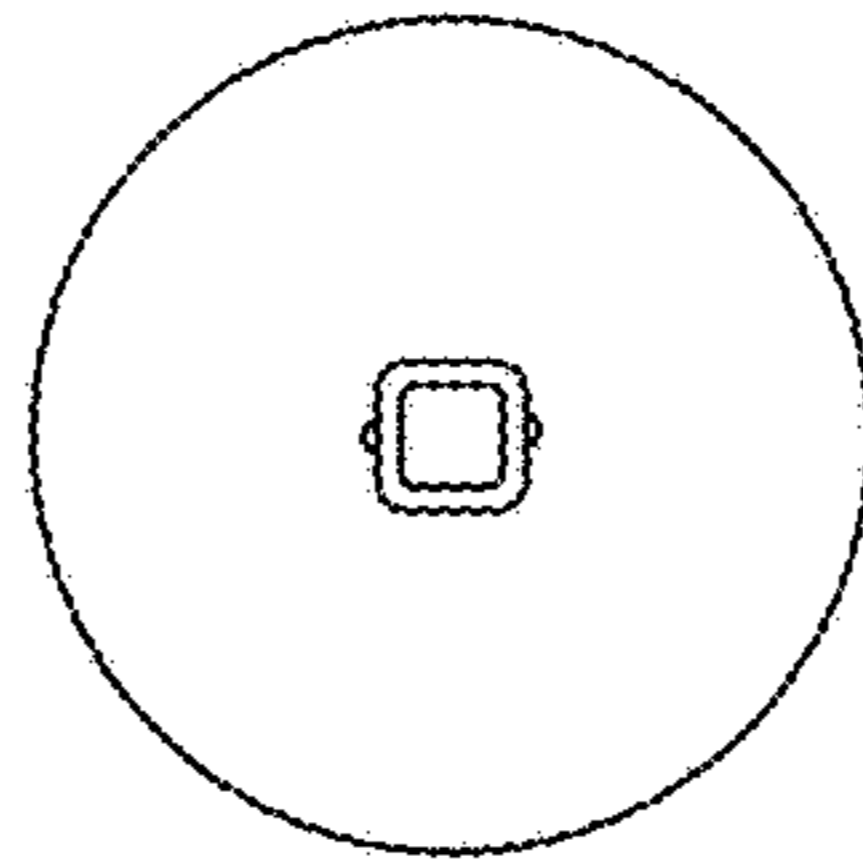
*Fig. 1*



*Fig. 2*



*Fig. 3*



*Fig. 4*