

US00D865294S

(12) **United States Design Patent** (10) **Patent No.:** **US D865,294 S**
Deng (45) **Date of Patent:** **** Oct. 29, 2019**

(54) **NAIL CLIPPER**

(71) Applicant: **Yun Deng**, Hunan (CN)

(72) Inventor: **Yun Deng**, Hunan (CN)

(**) Term: **15 Years**

(21) Appl. No.: **29/694,901**

(22) Filed: **Jun. 14, 2019**

(51) **LOC (12) Cl.** **28-03**

(52) **U.S. Cl.**
USPC **D28/60**

(58) **Field of Classification Search**
USPC D28/60
CPC . A45D 29/02; A45D 29/023; A45D 2029/026
See application file for complete search history.

(56) **References Cited**

U.S. PATENT DOCUMENTS

- D185,590 S * 6/1959 Bassett D28/60
- 4,574,475 A * 3/1986 Lee A45D 29/023
30/125
- 5,488,772 A * 2/1996 Dababneh A45D 29/023
132/75.5
- D413,412 S * 8/1999 Chiu D28/60
- 6,009,880 A * 1/2000 Weidlich A45D 29/023
132/73
- D430,353 S 8/2000 Yaow
- D437,458 S * 2/2001 Kim D28/60
- D498,333 S * 11/2004 Di Bitonto D28/60
- D516,250 S * 2/2006 Merheje D28/60
- D726,373 S 4/2015 Charroy
- D783,903 S * 4/2017 Kaidi D28/60
- D813,460 S * 3/2018 Ishida D28/60
- D846,804 S 4/2019 Kim

- D852,420 S * 6/2019 Deng D28/60
- 2008/0000088 A1 * 1/2008 Casillas A45D 29/02
30/28
- 2011/0061239 A1 * 3/2011 Pacio A45D 29/02
30/28
- 2018/0279739 A1 * 10/2018 Kim A45D 29/02
- 2019/0125057 A1 * 5/2019 Gittens A45D 29/023

OTHER PUBLICATIONS

No Mess Nail Clippers with Catcher, downloaded Sep. 11, 2019, reviewed as early as Aug. 2019, 1 page https://www.amazon.com/Clippers-Catcher-Toenail-Clippings-Fingernails/dp/B07TRKL8WP/ref=sr_1_31?keywords=nail+clippers+with+catcher&qid=1568223922&s=beauty&sr=1-31 (Year: 2019).*

* cited by examiner

Primary Examiner — Jennifer Rivard

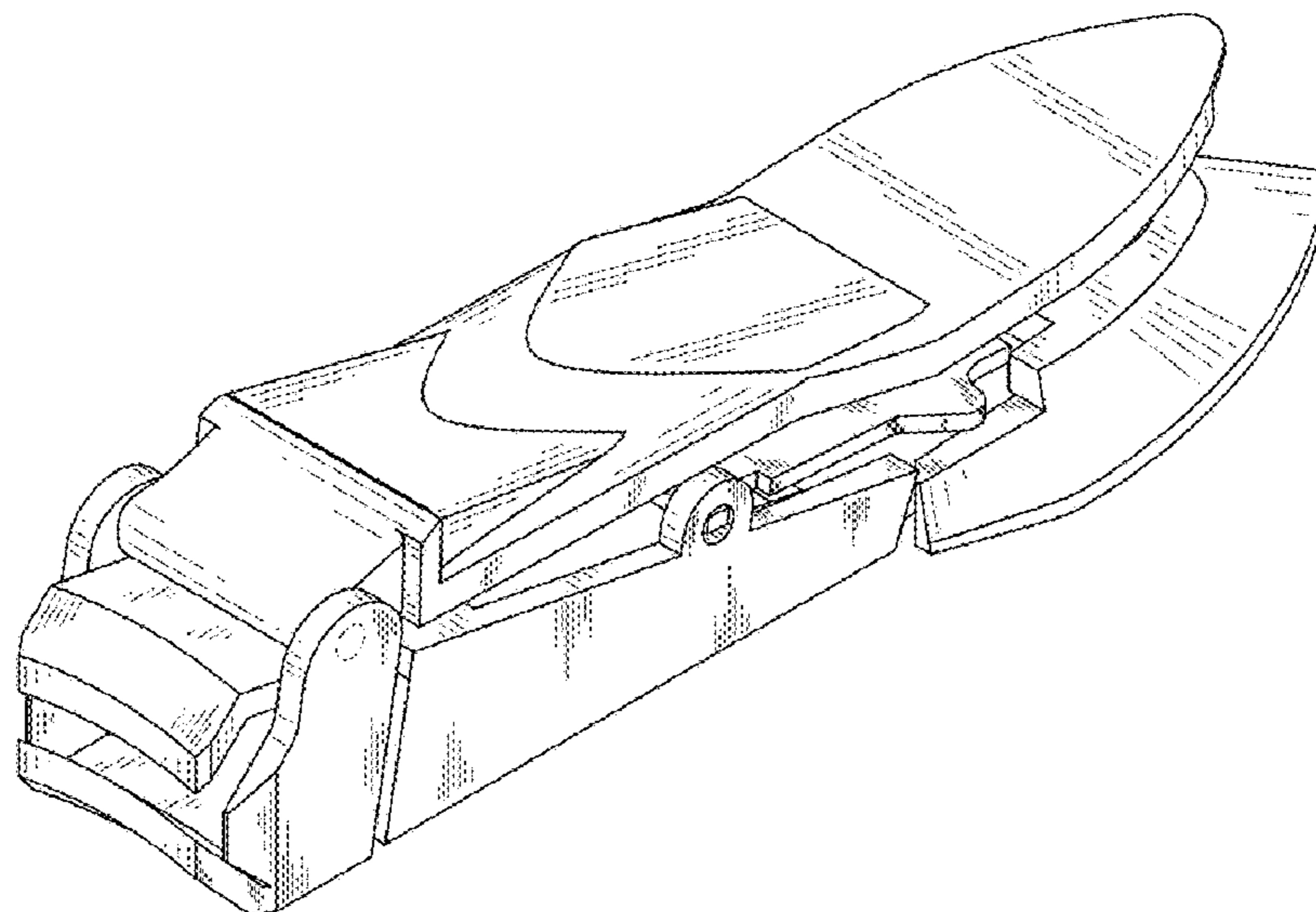
(57) **CLAIM**

The ornamental design for a nail clipper, as shown and described.

DESCRIPTION

FIG. 1 is a perspective view of a nail clipper showing my design;
FIG. 2 is a front view thereof;
FIG. 3 is a back view thereof;
FIG. 4 is a left side view thereof;
FIG. 5 is a right side view thereof;
FIG. 6 is a top view thereof; and,
FIG. 7 is a bottom view thereof.
The broken lines shown in the drawings depict portions of the nail clipper in which the design is embodied that form no part of the claimed design.

1 Claim, 7 Drawing Sheets



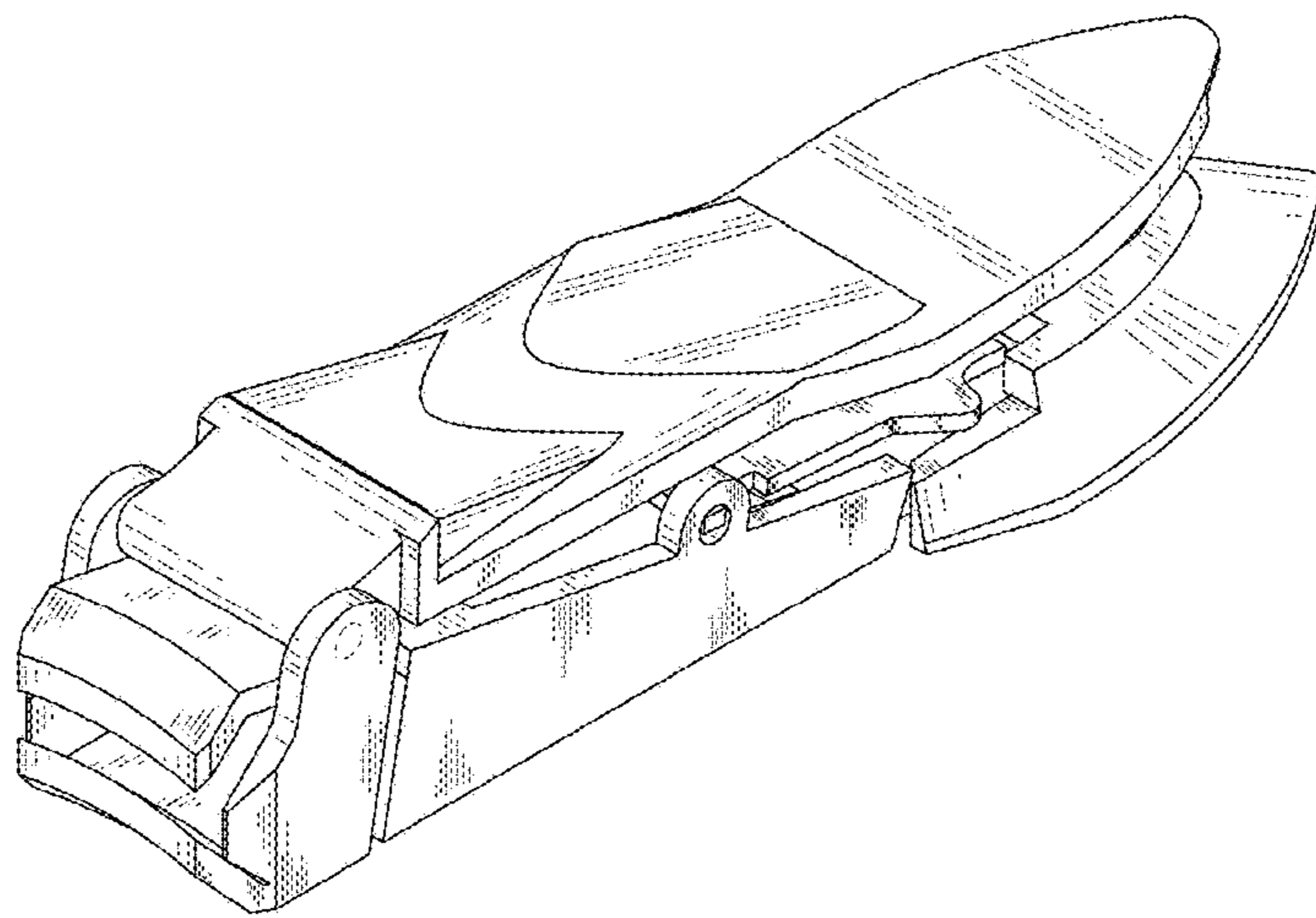


FIG. 1

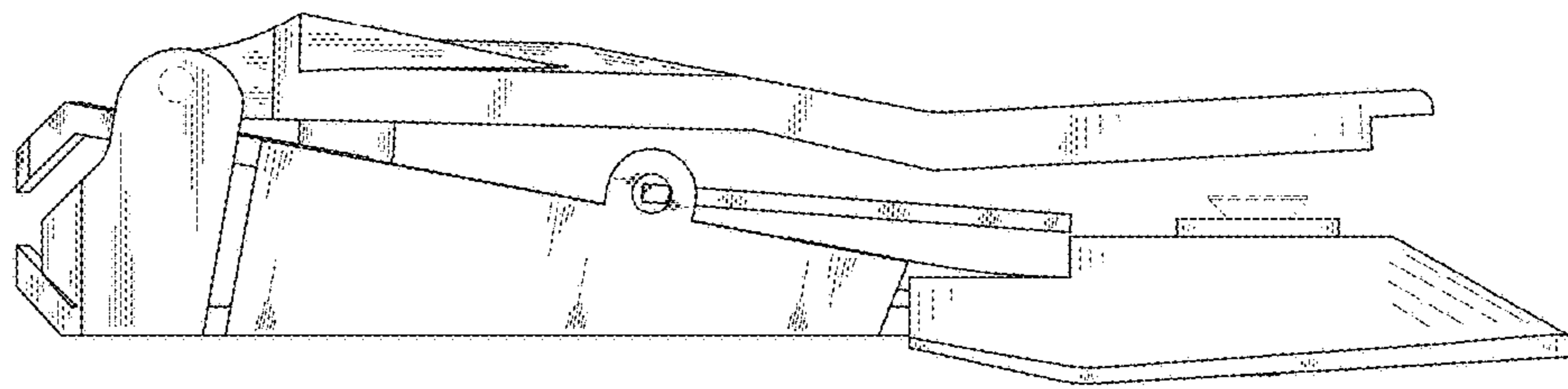


FIG. 2

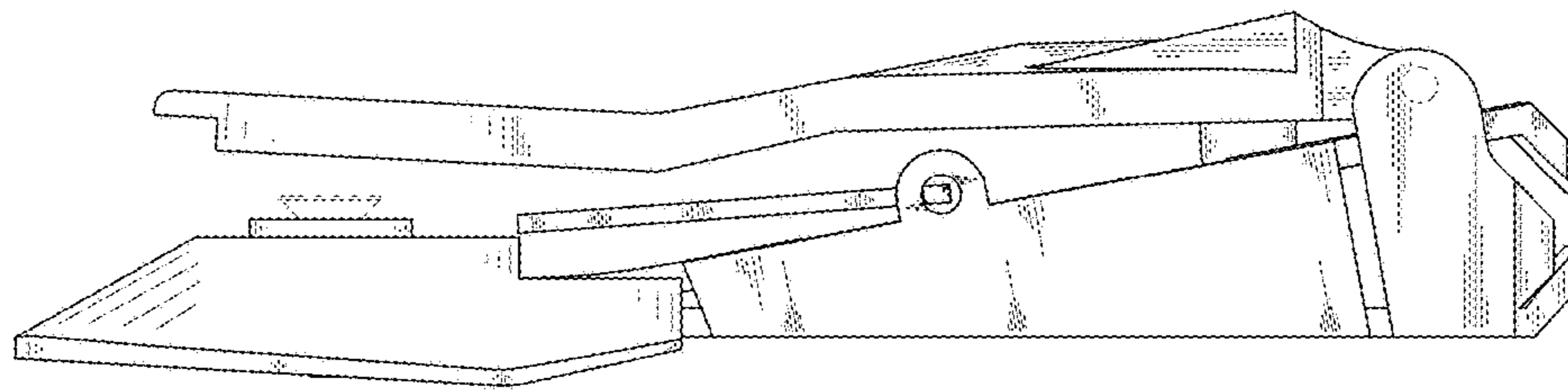


FIG. 3

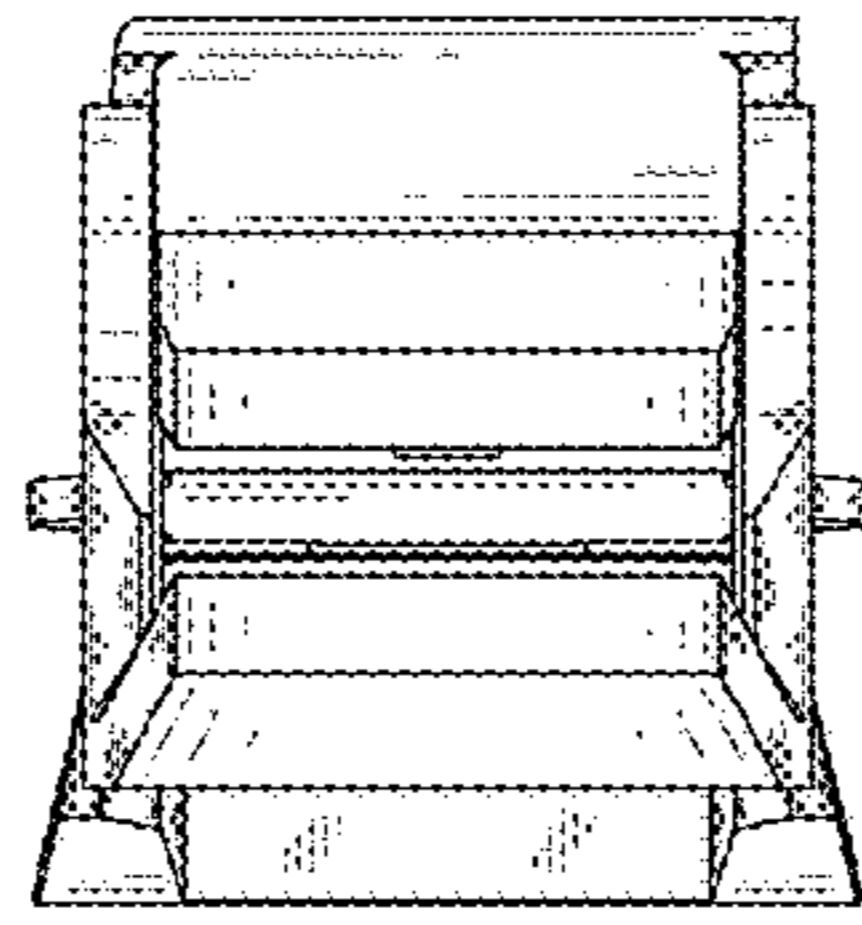


FIG. 4

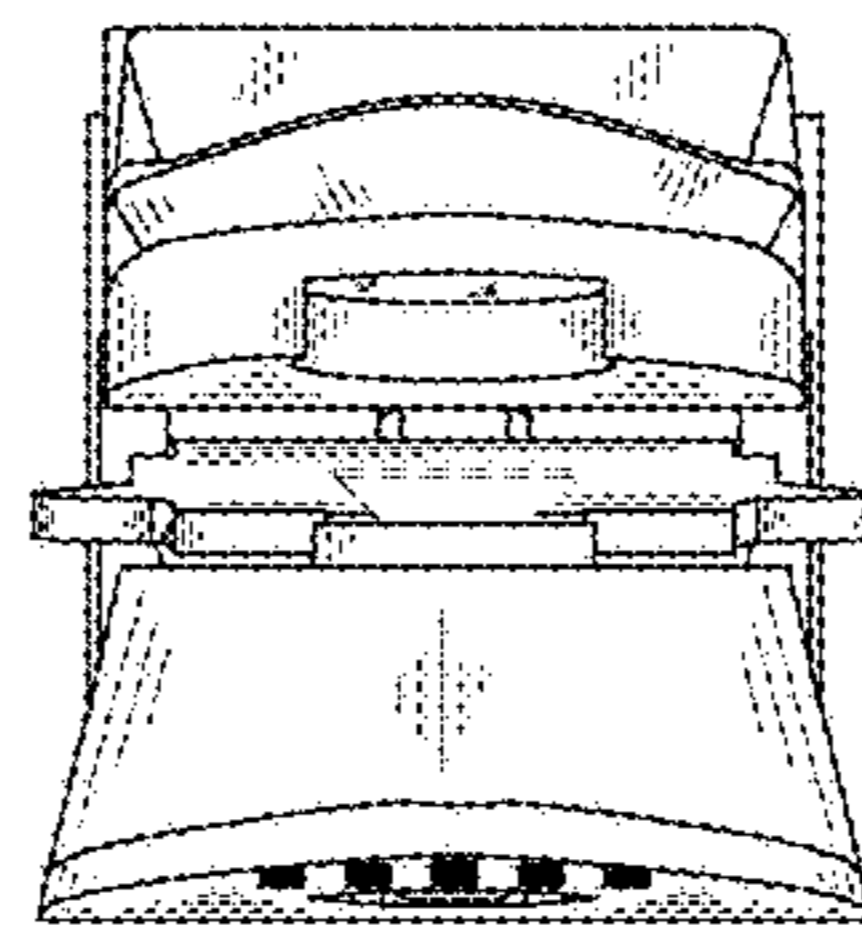


FIG. 5

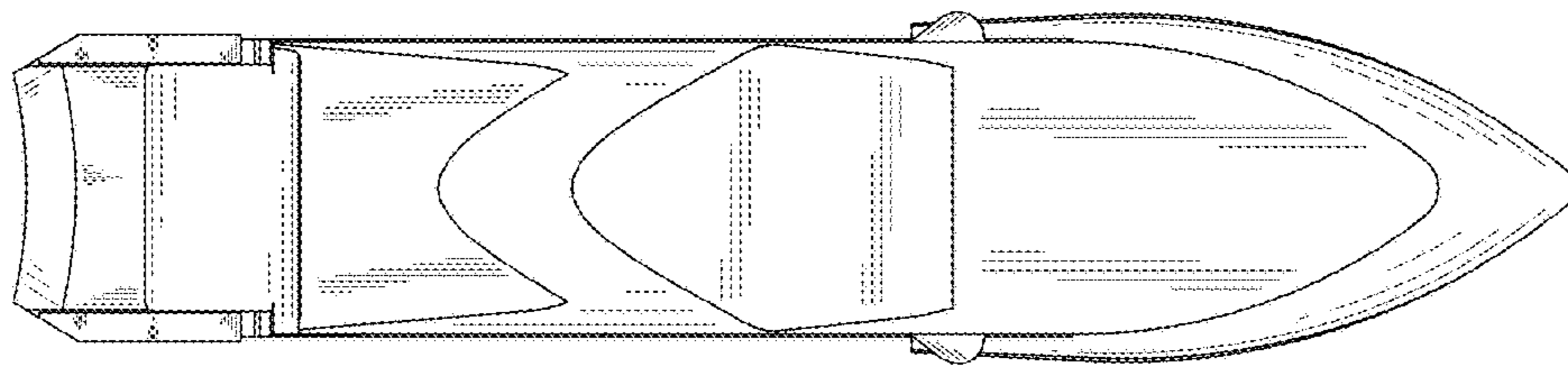


FIG. 6

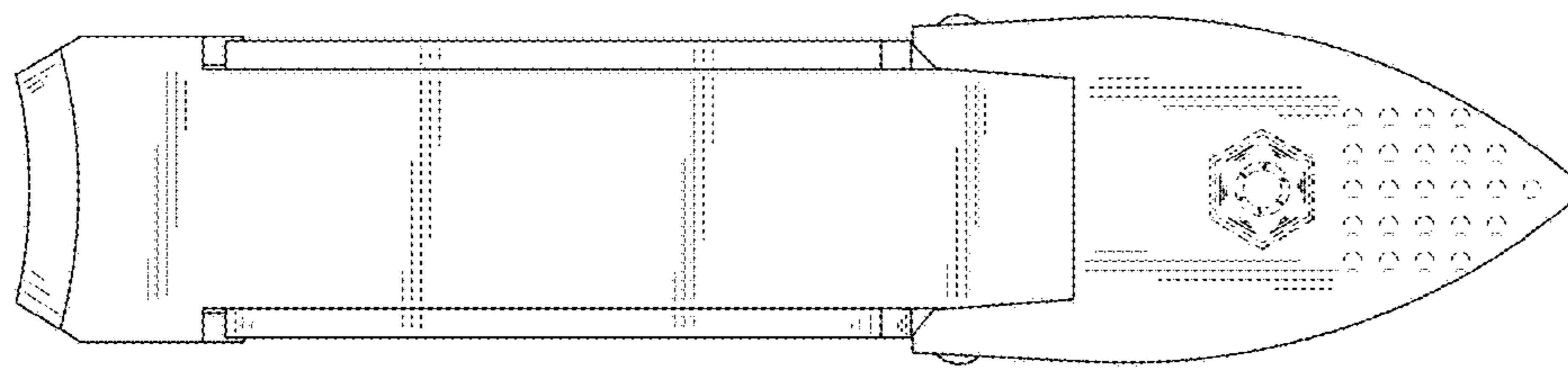


FIG. 7