



US00D865290S

(12) **United States Design Patent**  
**Leatherman et al.**

(10) **Patent No.:** **US D865,290 S**

(45) **Date of Patent:** **\*\* Oct. 29, 2019**

(54) **SAFETY RAZOR**

(71) Applicant: **Edgewell Personal Care Brands, LLC**, Chesterfield, MO (US)

(72) Inventors: **Christopher Leatherman**, New Hartford, CT (US); **Jia Jun Shen**, New Haven, CT (US)

(73) Assignee: **Edgewell Personal Care Brands, LLC**, Chesterfield, MO (US)

(\*\*) Term: **15 Years**

(21) Appl. No.: **29/641,906**

(22) Filed: **Mar. 26, 2018**

(51) **LOC (12) Cl.** ..... **28-03**

(52) **U.S. Cl.**  
USPC ..... **D28/46**

(58) **Field of Classification Search**  
USPC ..... D28/45-48  
CPC ..... B26B 21/00-06; B26B 21/08-227; B26B 21/24-28; B26B 21/30-38; B26B 21/40-4093; B26B 21/52-528  
See application file for complete search history.

(56) **References Cited**

**U.S. PATENT DOCUMENTS**

D674,548 S \* 1/2013 Barrow ..... D28/46  
D698,997 S \* 2/2014 Micinilio ..... D28/46

D749,264 S \* 2/2016 Leatherman ..... D28/46  
D749,267 S \* 2/2016 Leatherman ..... D28/48  
D792,025 S \* 7/2017 Faktorovich ..... D28/48  
D827,202 S \* 8/2018 Otsuka ..... D28/48  
D847,430 S \* 4/2019 Leatherman ..... D28/48  
D848,069 S \* 5/2019 Micinilio ..... D28/46

\* cited by examiner

*Primary Examiner* — Jennifer Rivard

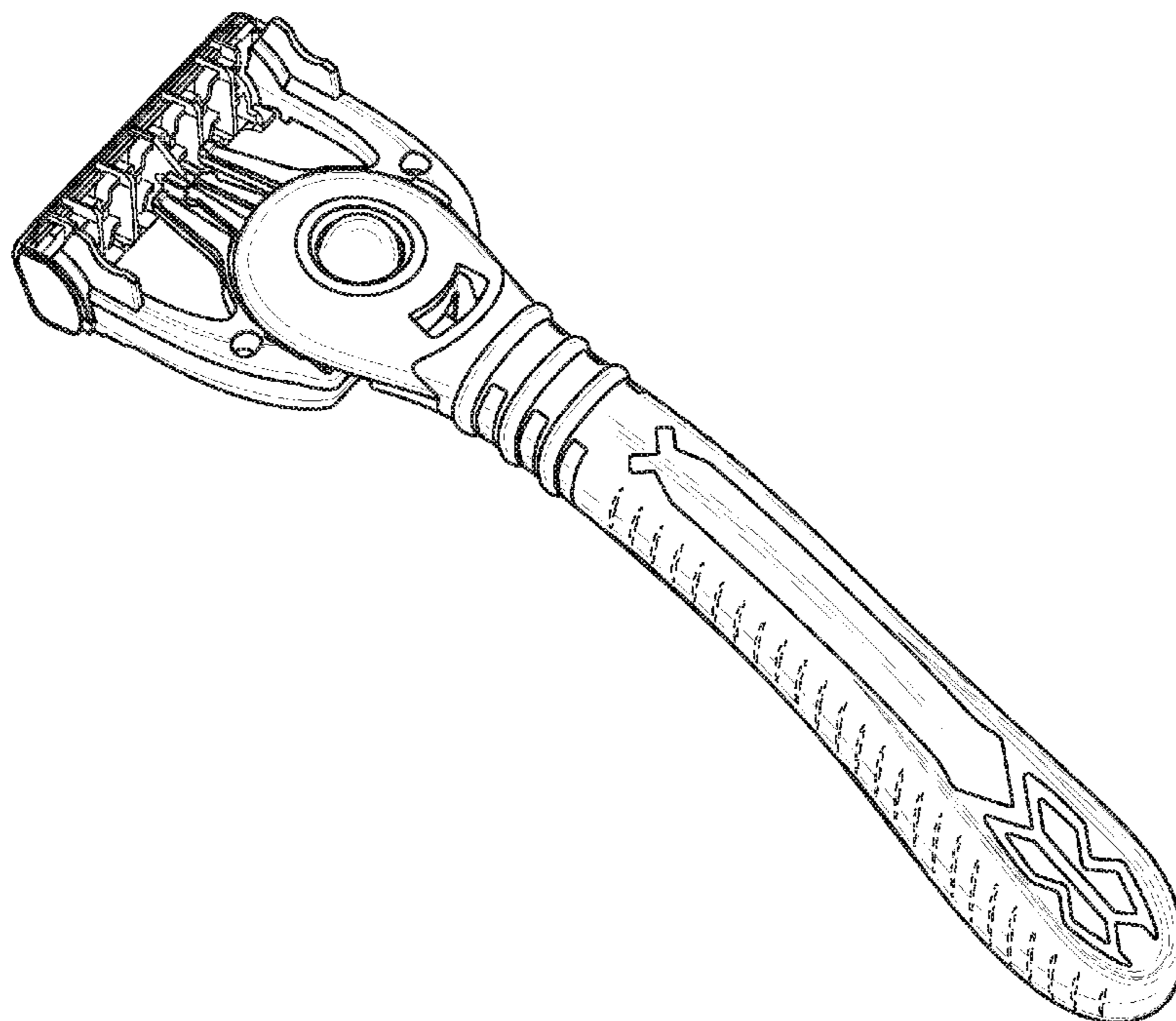
(57) **CLAIM**

We claim the ornamental design for the safety razor, as shown and described.

**DESCRIPTION**

FIG. 1 is an upper perspective view of a safety razor.  
FIG. 2 is a lower perspective view thereof.  
FIG. 3 is a rear view thereof.  
FIG. 4 is a front view thereof.  
FIG. 5 is a right side view of FIG. 3.  
FIG. 6 is a left side view of FIG. 3.  
FIG. 7 is a top view thereof; and,  
FIG. 8 is a bottom view thereof.  
The broken lines illustrate portions of the safety razor and form no part of the claimed design.

**1 Claim, 4 Drawing Sheets**



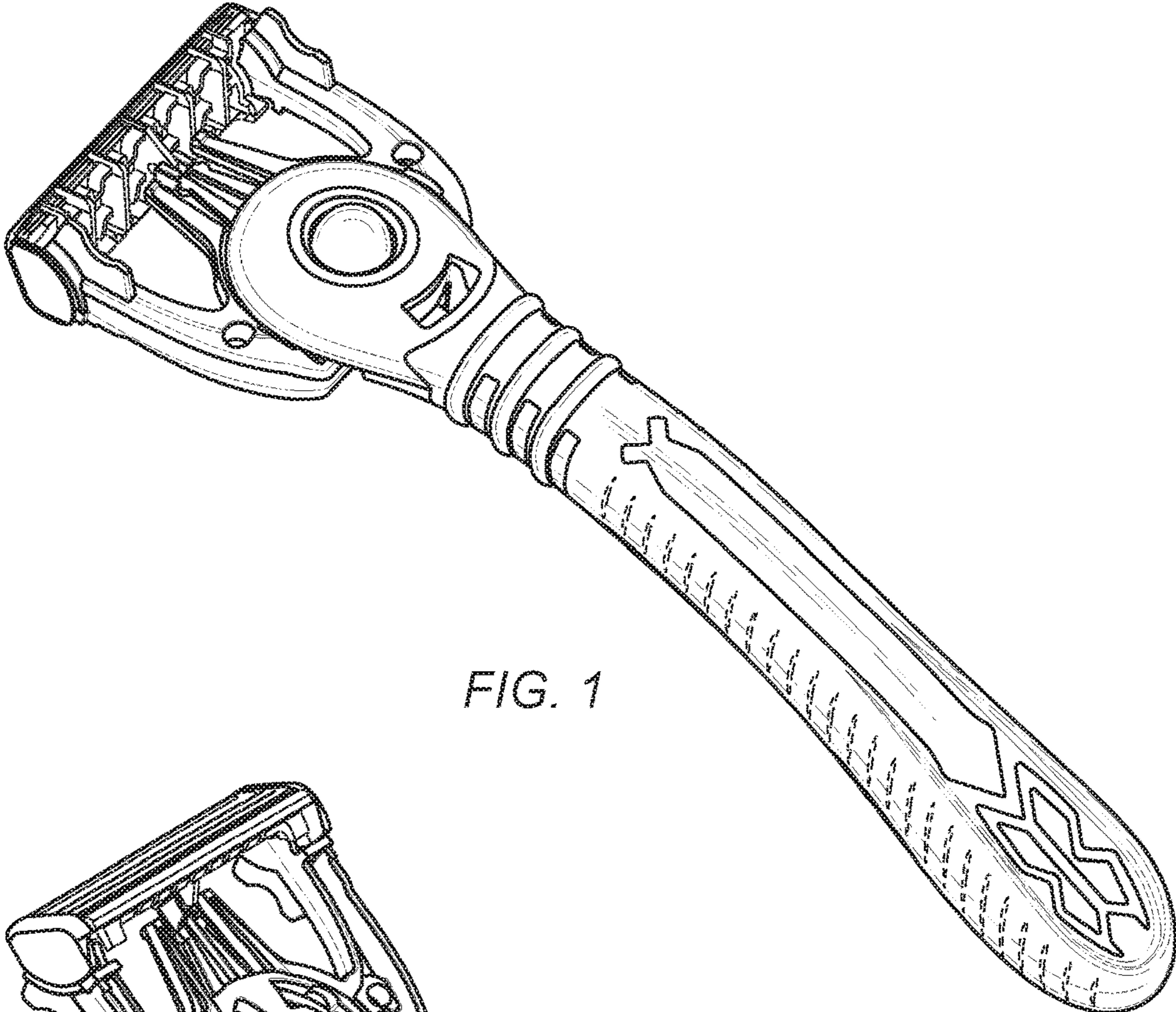


FIG. 1

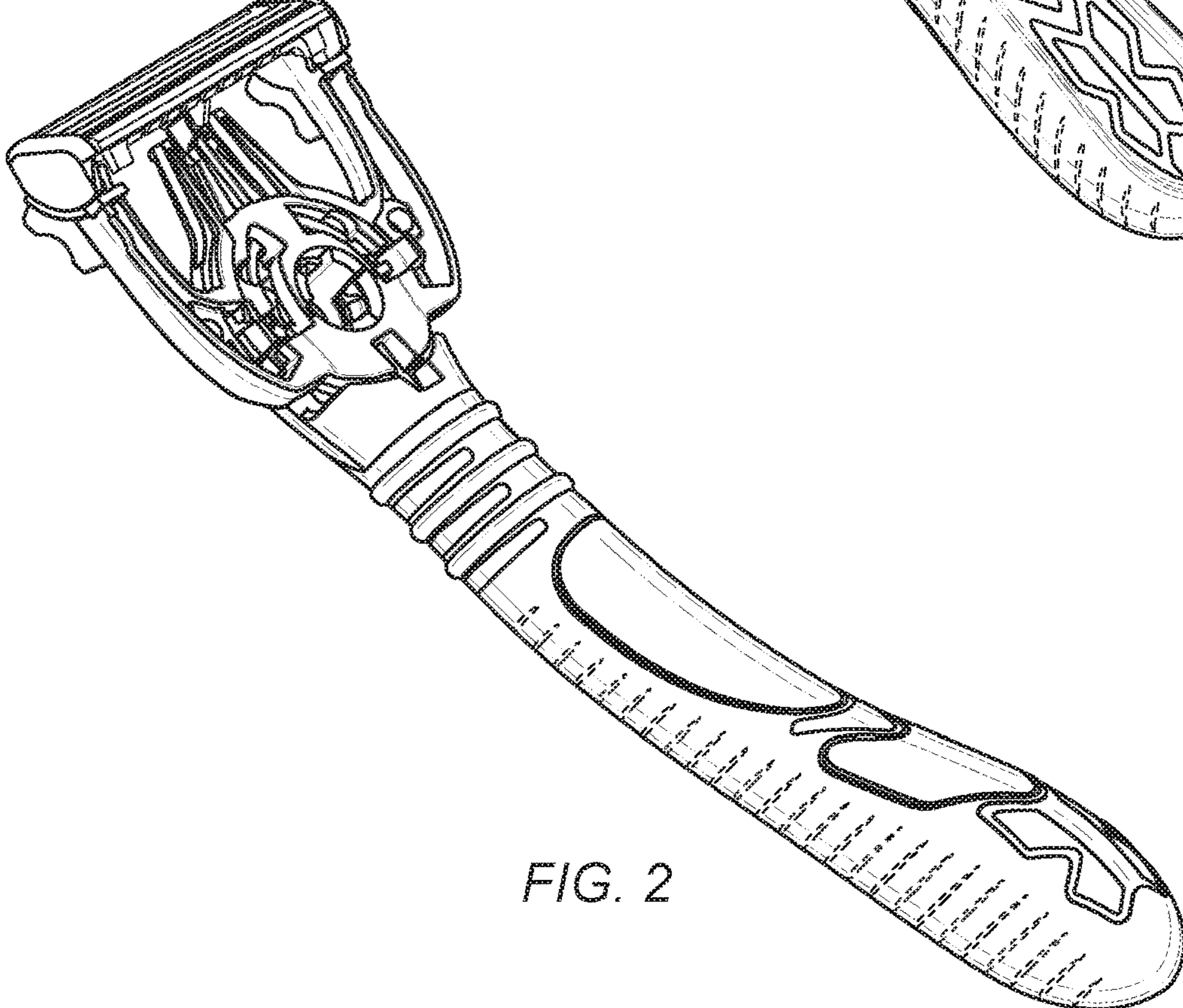


FIG. 2

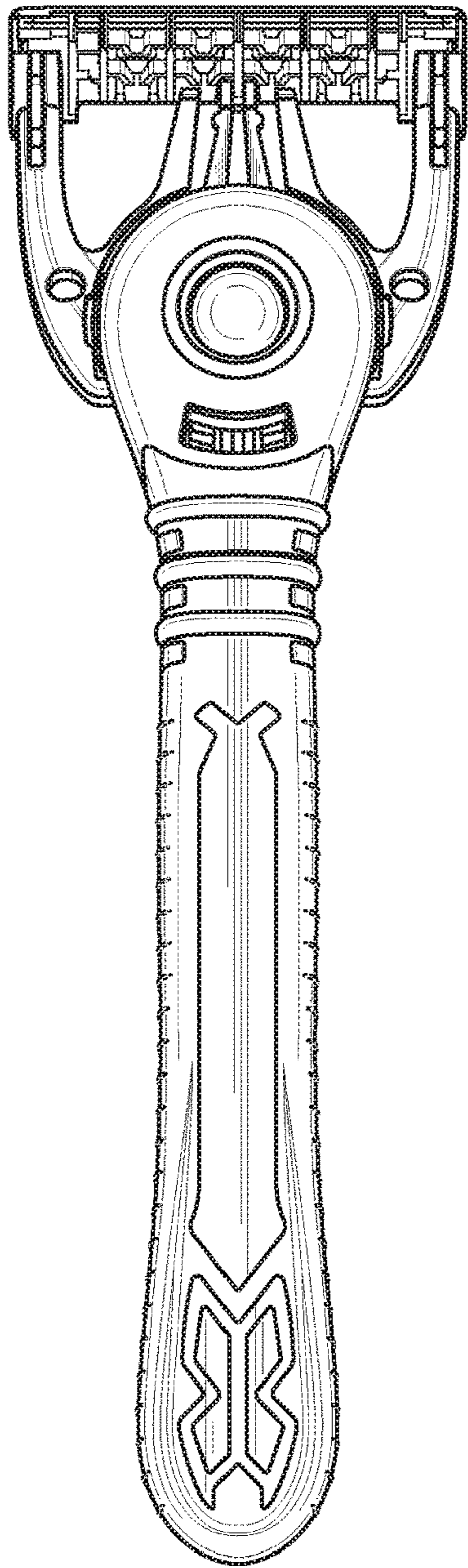


FIG. 3

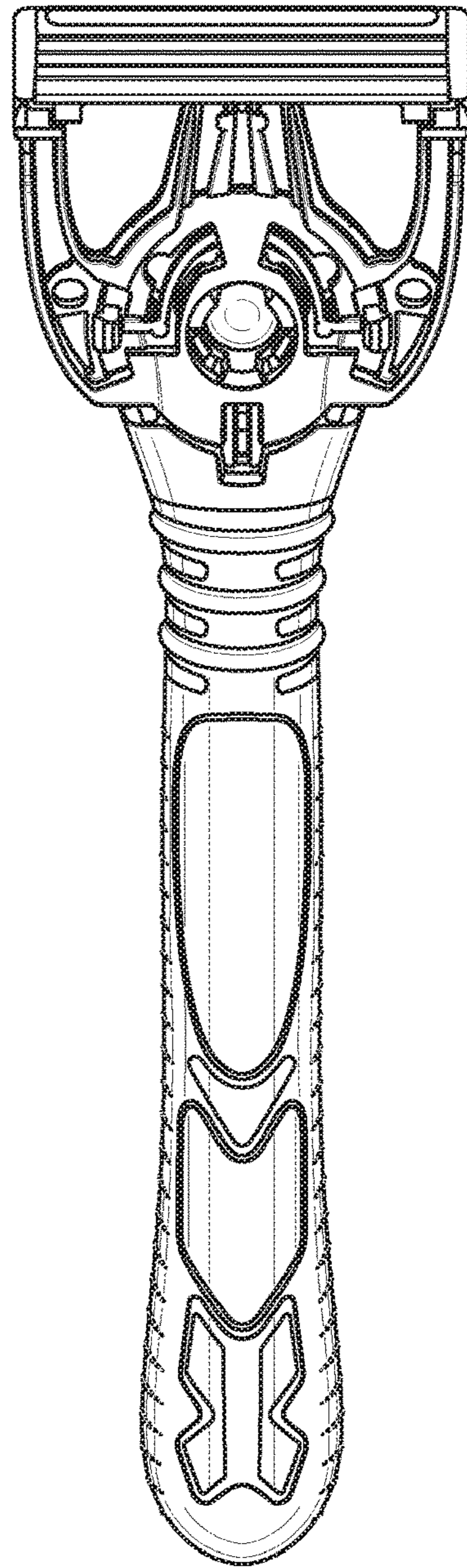


FIG. 4

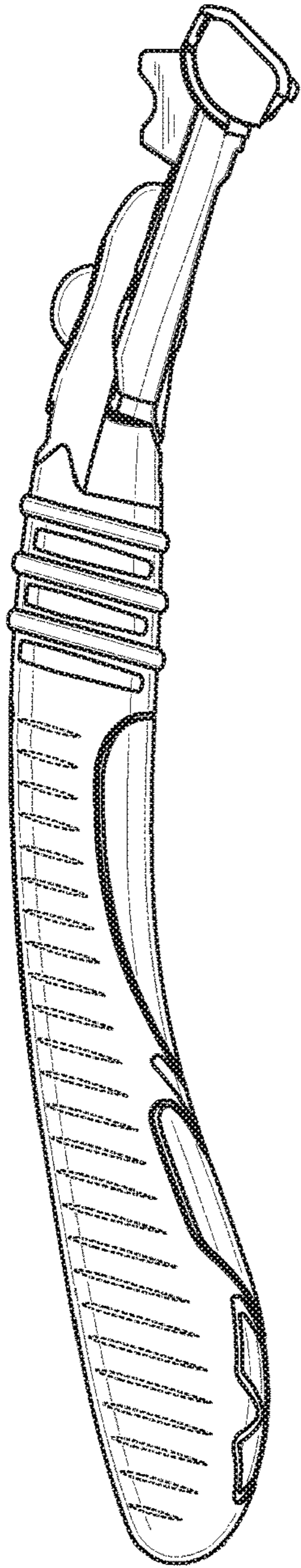


FIG. 5

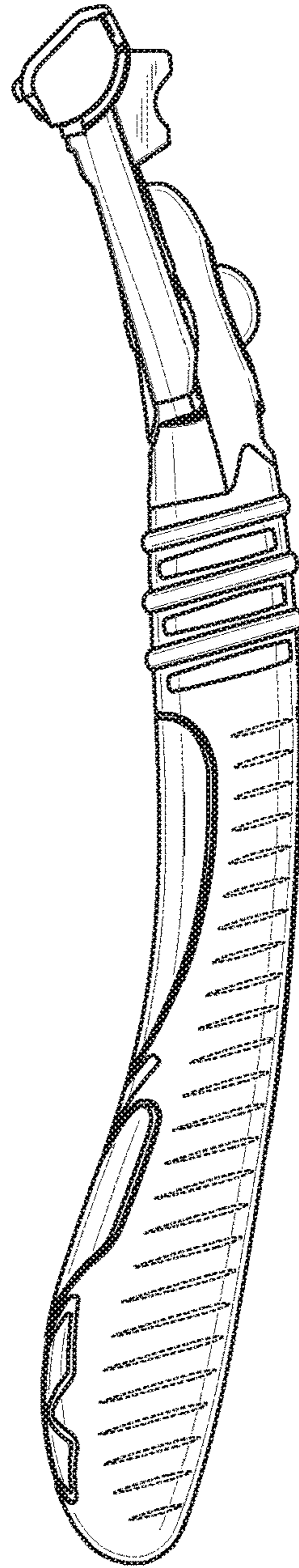


FIG. 6

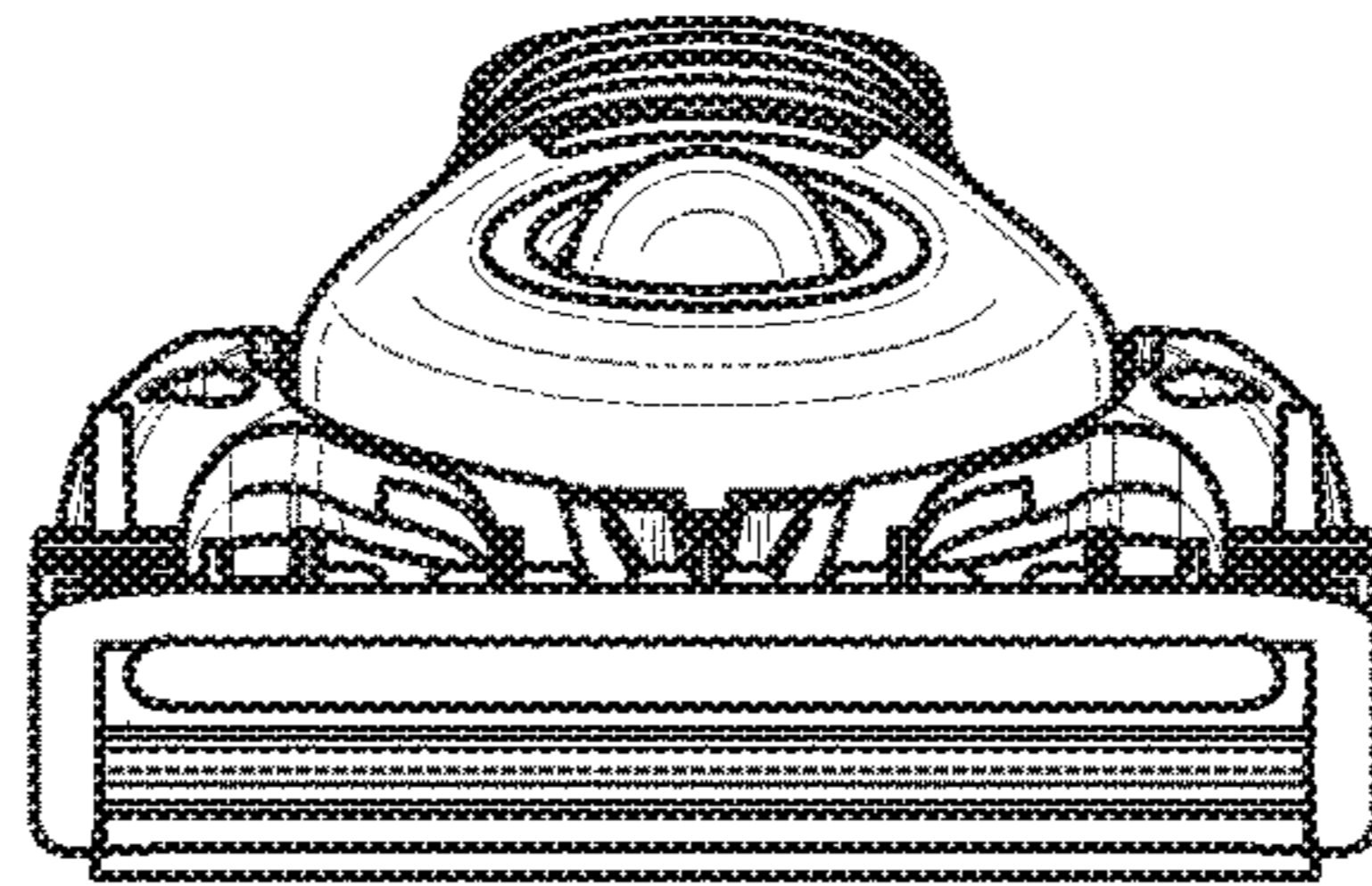


FIG. 7

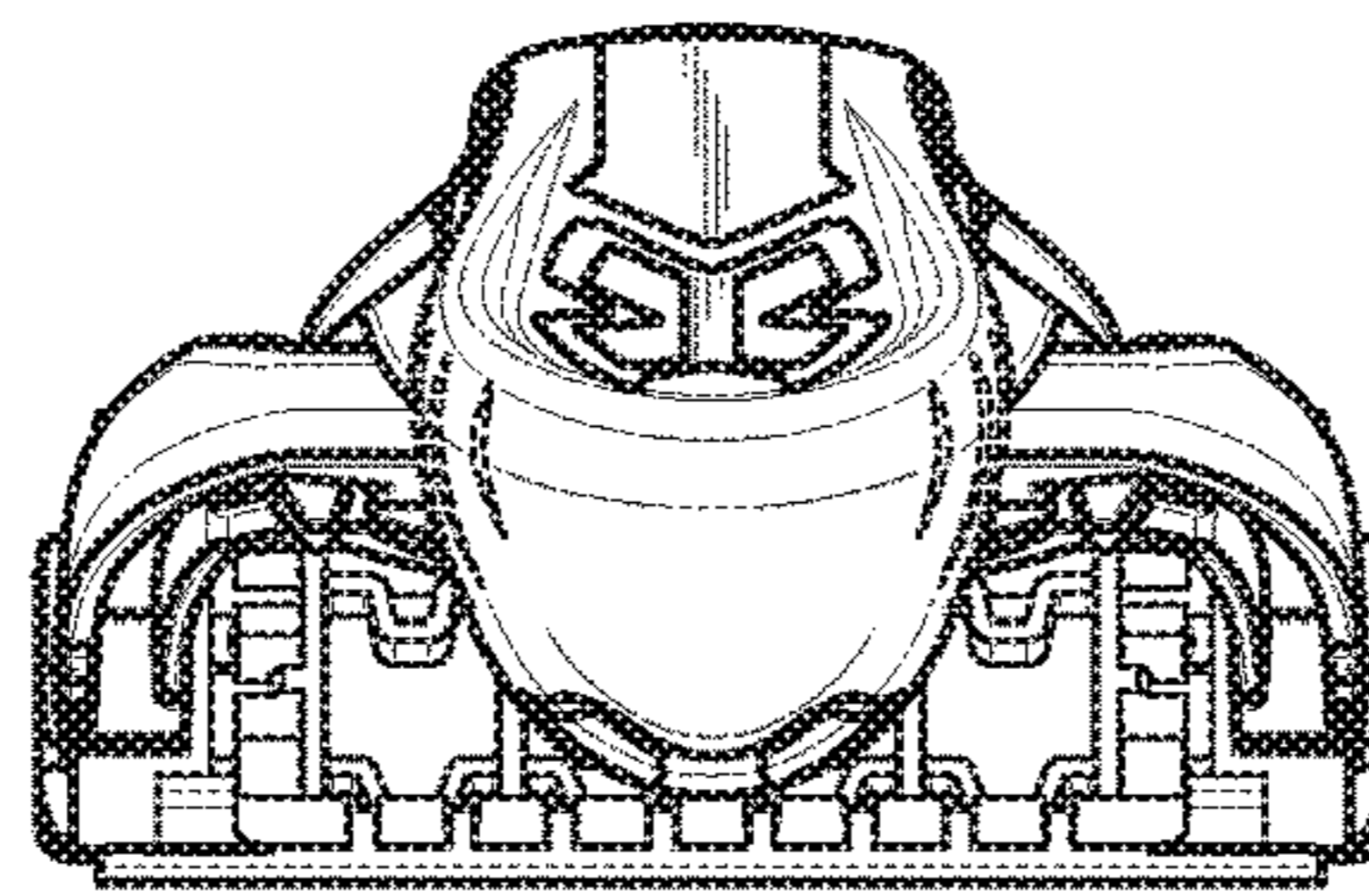


FIG. 8