

US00D865285S

(12) **United States Design Patent**
Liao

(10) **Patent No.:** **US D865,285 S**

(45) **Date of Patent:** **** Oct. 29, 2019**

(54) **HOT AIR COMB**

(71) Applicant: **Dongguan Shengming Industrial Co., Ltd, Dongguan, Guangdong (CN)**

(72) Inventor: **Shengwang Liao, Jiangxi (CN)**

(73) Assignee: **Dongguan Shengming Industrial Co., Ltd, Dongguan (CN)**

(**) Term: **15 Years**

(21) Appl. No.: **29/697,156**

(22) Filed: **Jul. 4, 2019**

(51) **LOC (12) Cl.** **28-03**

(52) **U.S. Cl.**
USPC **D28/13**

(58) **Field of Classification Search**
USPC D28/12-19
CPC A45D 20/00; A45D 20/48; A45D 20/50;
A45D 20/52; A45D 20/525
See application file for complete search history.

(56) **References Cited**

U.S. PATENT DOCUMENTS

- D372,336 S 7/1996 Kip
- D388,538 S 12/1997 Kip
- 5,738,121 A * 4/1998 Westerveld A45D 20/50
132/113
- D401,382 S * 11/1998 Seifert D28/13

- D476,443 S * 6/2003 Ohta D28/18
- D599,954 S * 9/2009 Michaels D28/30
- D604,011 S * 11/2009 Leung D28/13
- D613,908 S * 4/2010 Torres Martin D28/21
- D631,604 S * 1/2011 Michaels D28/30
- D815,774 S * 4/2018 Mercier D28/25
- D842,538 S 3/2019 Rosenzweig

* cited by examiner

Primary Examiner — Zenia I Bennett

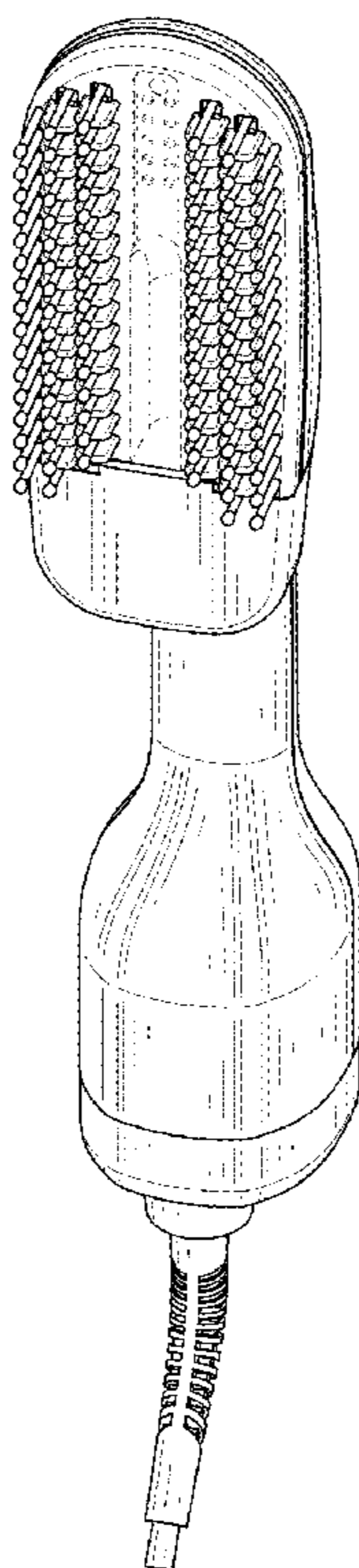
(57) **CLAIM**

The ornamental design for a hot air comb, as shown and described.

DESCRIPTION

FIG. 1 is a front perspective view of a hot air comb showing my new design;
 FIG. 2 is a back perspective view thereof;
 FIG. 3 is a front view thereof;
 FIG. 4 is a back view thereof;
 FIG. 5 is a left side view thereof;
 FIG. 6 is a right side view thereof;
 FIG. 7 is a top view thereof; and,
 FIG. 8 is a bottom view thereof.
 The broken lines in the figures illustrate portions of the hot air comb that form no part of the claimed design.

1 Claim, 8 Drawing Sheets



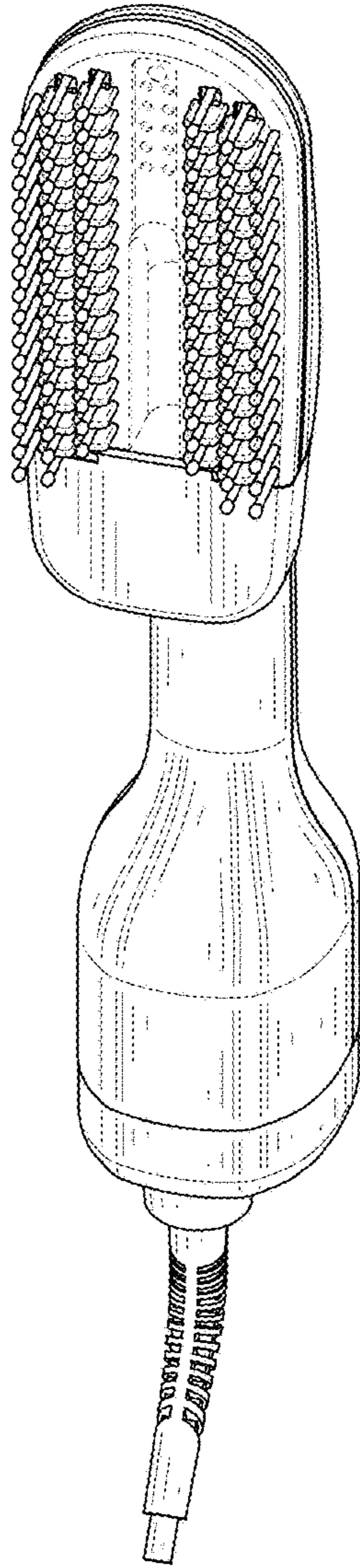


FIG. 1

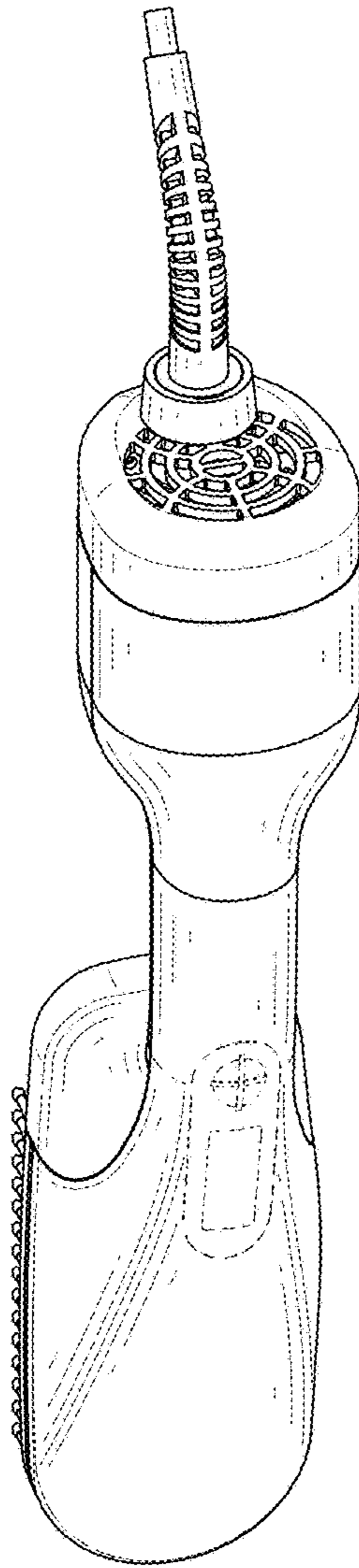


FIG. 2

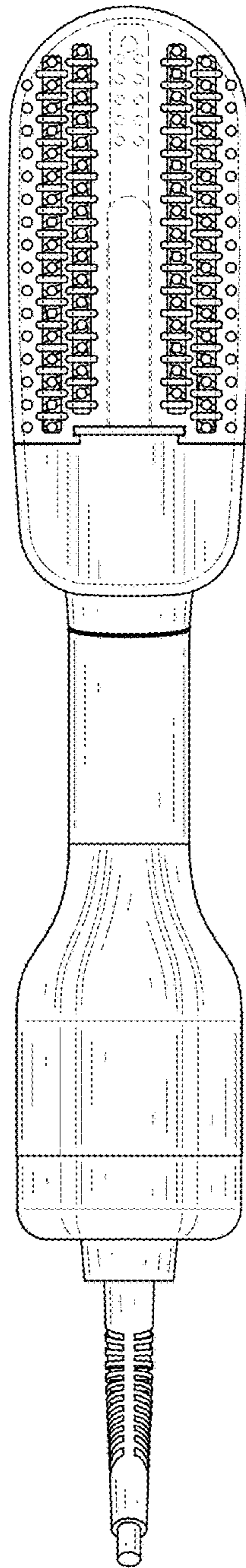


FIG. 3

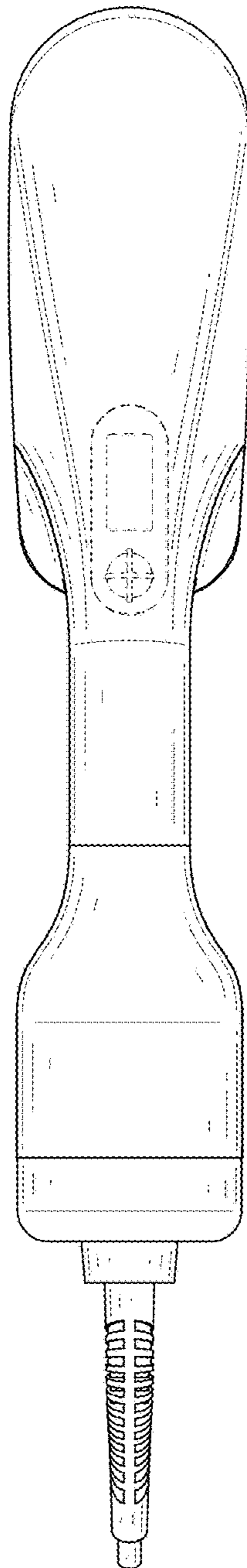


FIG. 4

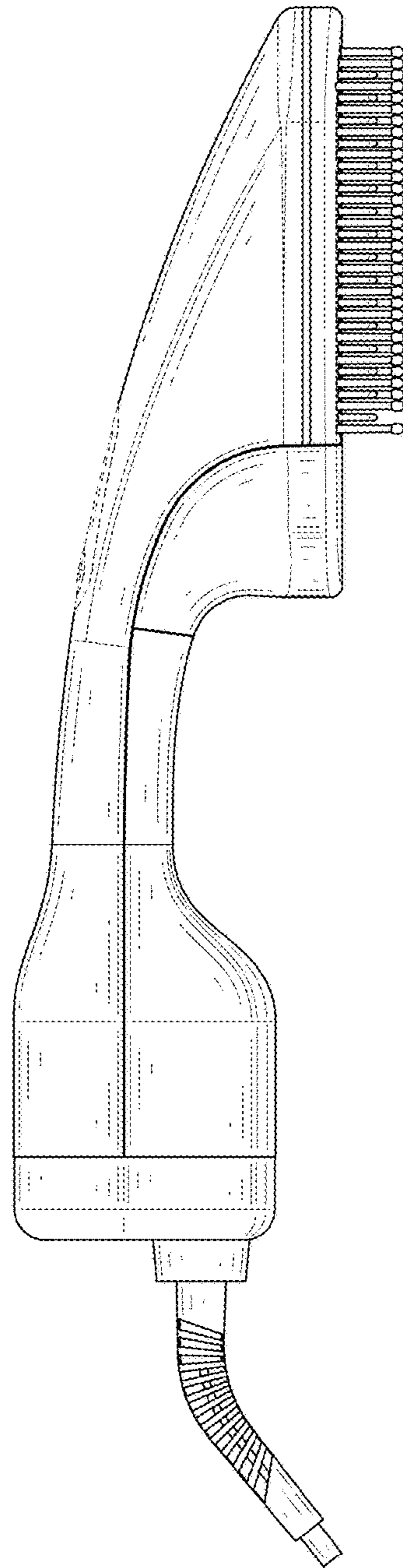


FIG. 5

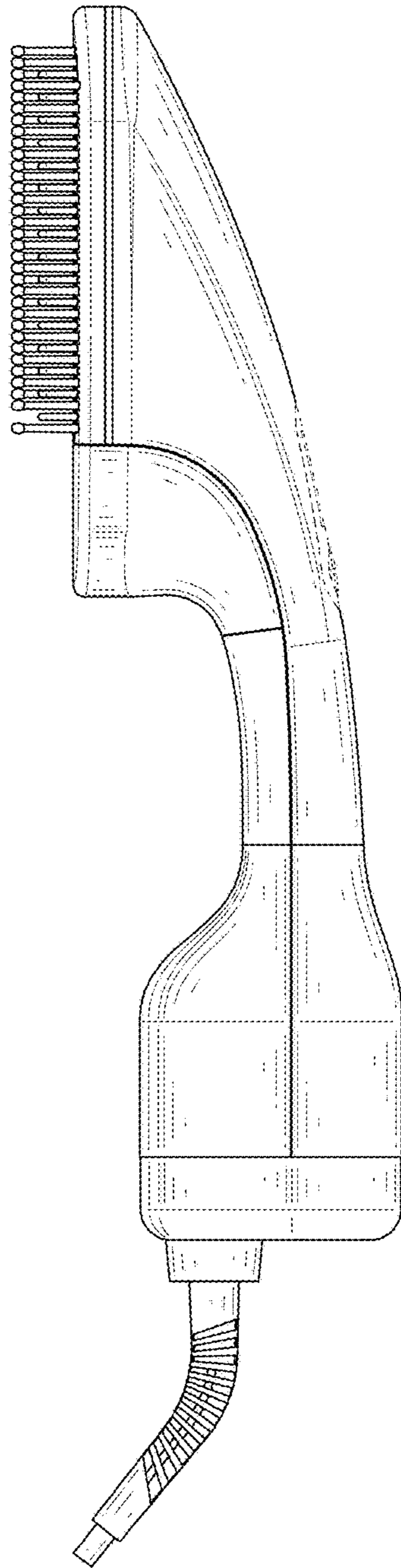


FIG. 6

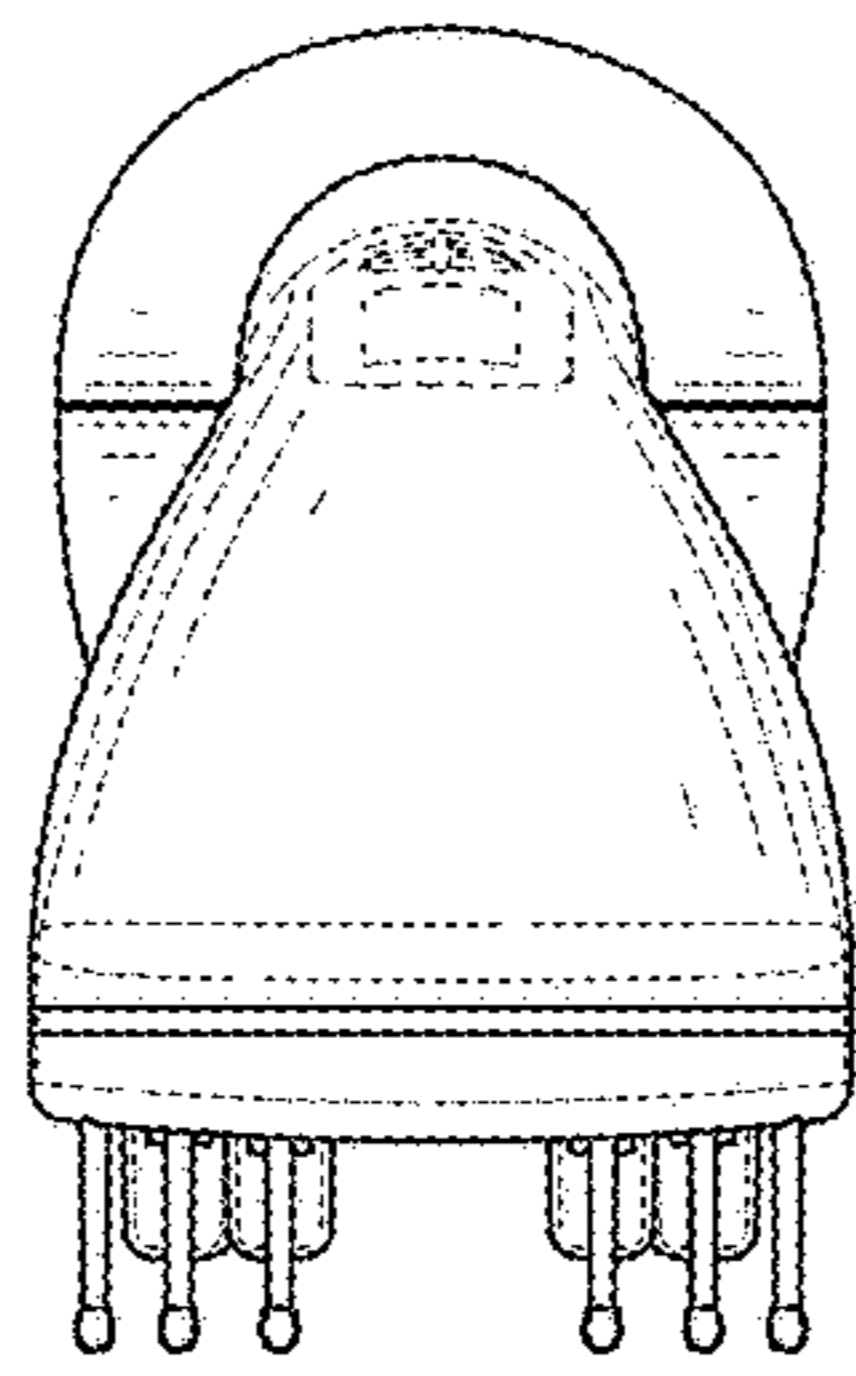


FIG. 7

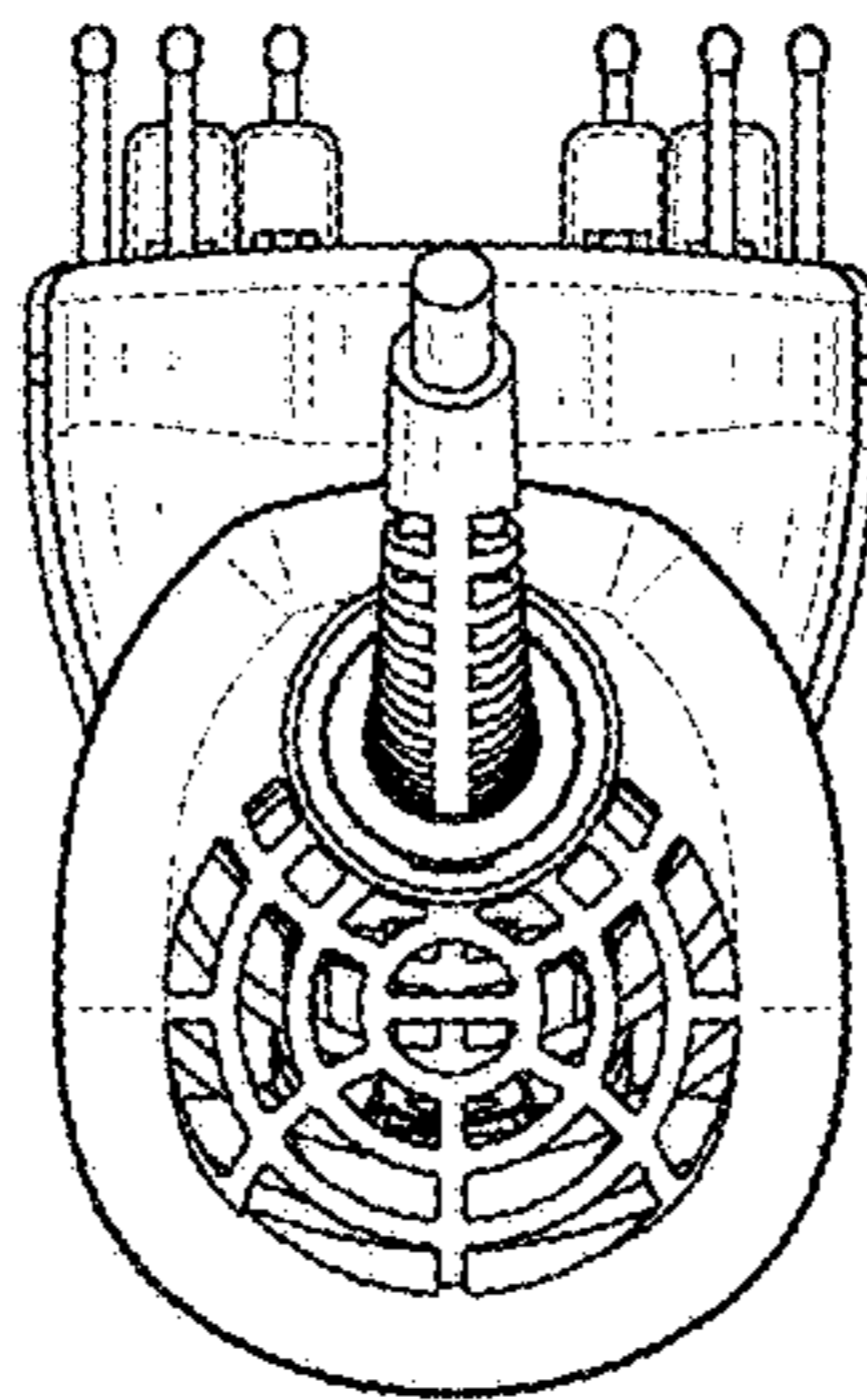


FIG. 8