



US00D865284S

(12) **United States Design Patent**
Janowick et al.

(10) **Patent No.:** **US D865,284 S**

(45) **Date of Patent:** **** Oct. 29, 2019**

(54) **BLOW DRYER**

(71) Applicant: **DryBar Holdings LLC**, Irvine, CA
(US)

(72) Inventors: **David T. Janowick**, Santa Ana, CA
(US); **Stephen Joseph Gwin**, Playa del
Rey, CA (US)

(73) Assignee: **Drybar Holdings LLC**, Irvine, CA
(US)

(**) Term: **15 Years**

(21) Appl. No.: **29/618,345**

(22) Filed: **Sep. 20, 2017**

(51) **LOC (12) Cl.** **28-03**

(52) **U.S. Cl.**
USPC **D28/13**

(58) **Field of Classification Search**
USPC D28/10, 12, 13, 14, 15, 16, 17, 18, 20,
D28/81, 82, 83, 84
CPC A45D 20/00; A45D 20/48; A45D 20/50;
A45D 20/52; A45D 20/525; A45D 20/04;
A45D 20/08; A45D 20/10; A45D 20/12;
A45D 20/122; A45D 44/08; A45D
2019/005; A45D 2019/0058; A45D 19/04;
A45D 19/06; A45D 19/08; A45D 19/12;
A45D 40/00; A45D 40/18; A45D
40/0087; A45D 40/222; A45D 40/0093;
A45D 33/00; A45D 33/006; A45D
33/025; A45D 33/008; A45D 33/003;
A45D 33/18; A45D 2040/225; A45D
2034/007

See application file for complete search history.

(56) **References Cited**

U.S. PATENT DOCUMENTS

D375,577 S * 11/1996 Viemeister D28/13
D438,340 S * 2/2001 Gudfin D28/13

D454,411 S * 3/2002 Yeung D28/13
D460,214 S 7/2002 Parodi
D470,975 S 2/2003 Rizzuto, Jr.
(Continued)

FOREIGN PATENT DOCUMENTS

EM 003400613-0001 11/2016
EM 003400613-0002 11/2016

OTHER PUBLICATIONS

Drybar Baby Buttercup: How to blow-dry hair while traveling,
posted Jun. 18, 2016 00:05 [online], retrieved Oct. 10, 2018,
retrieved from internet, <https://www.youtube.com/watch?v=YC1xR-
ZzAU4>.*

(Continued)

Primary Examiner — Barbara Fox

Assistant Examiner — Messina L Smith

(74) *Attorney, Agent, or Firm* — Knobbe Martens Olson
& Bear, LLP

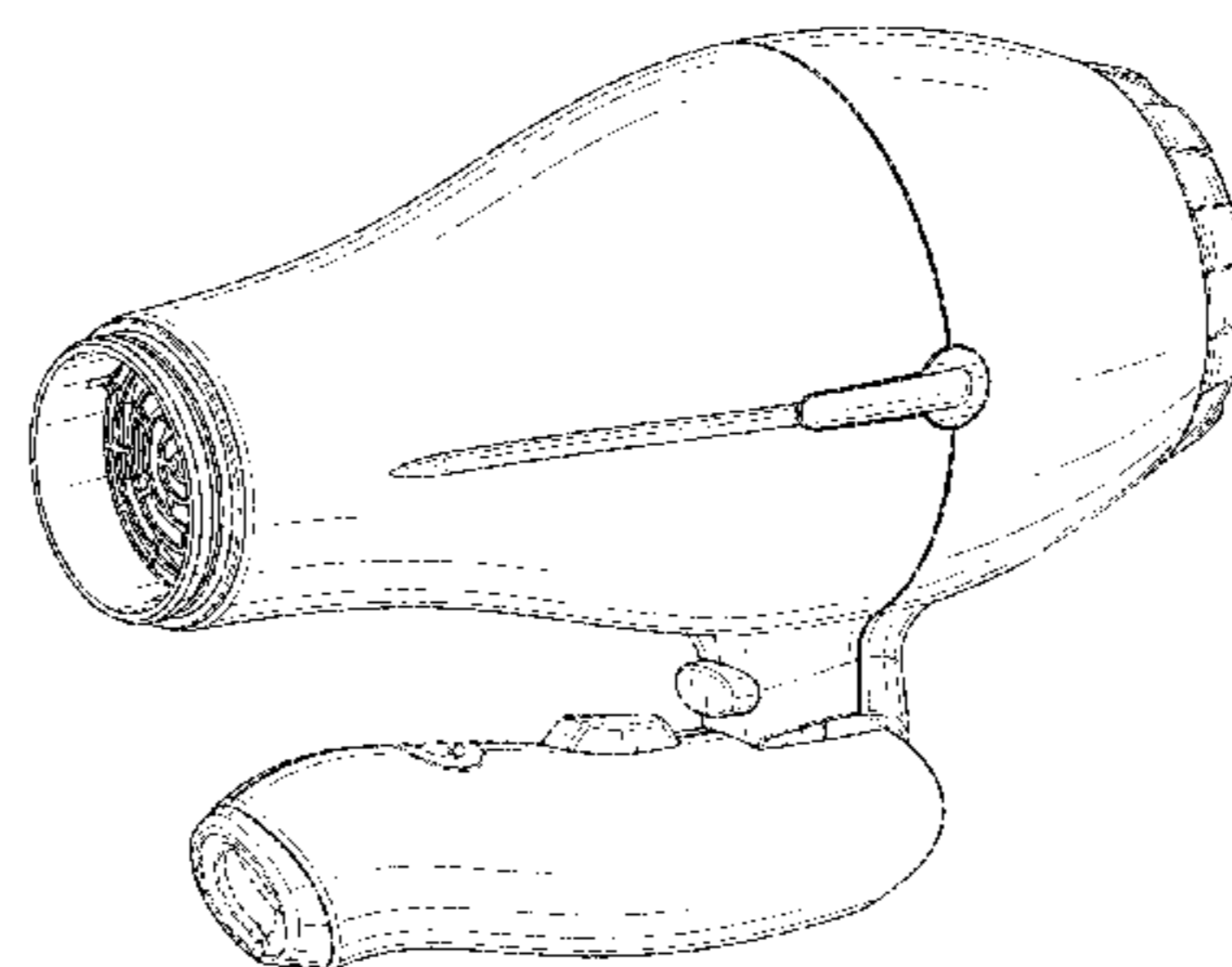
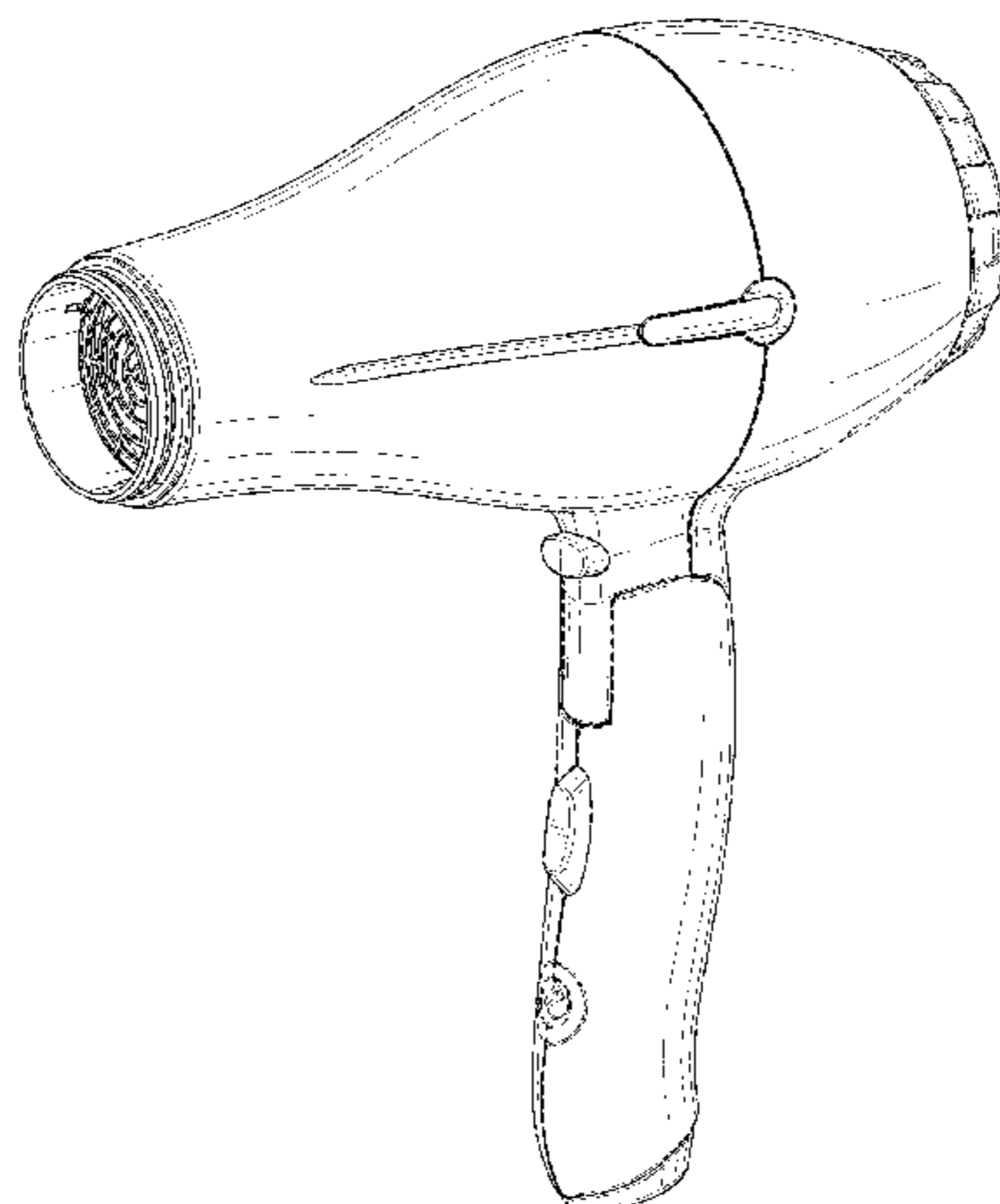
(57) **CLAIM**

The ornamental design for a blow dryer, as shown and
described.

DESCRIPTION

FIG. 1 is a front, right perspective view of a blow dryer
showing the new design;
FIG. 2 is a rear, left perspective view thereof;
FIG. 3 is a right-side elevation view thereof;
FIG. 4 is a left-side elevation view thereof;
FIG. 5 is a front elevation view thereof;
FIG. 6 is a rear elevation view thereof;
FIG. 7 is a top plan view thereof;
FIG. 8 is a bottom plan view thereof;
FIG. 9 is a front, right perspective view thereof in a bent
configuration; and,
FIG. 10 is a rear, left perspective view thereof in a bent
configuration.

(Continued)



The broken lines illustrate portions of the blow dryer and form no part of the claimed subject matter.

1 Claim, 8 Drawing Sheets

(56)

References Cited

U.S. PATENT DOCUMENTS

D470,976 S	2/2003	Rizzuto, Jr.	
6,715,215 B1 *	4/2004	Yeung	A45D 20/12 34/96
D494,710 S	8/2004	Parodi	
D496,754 S	9/2004	Parodi	
6,983,550 B1 *	1/2006	Lin	F23D 14/18 34/96
D518,919 S	4/2006	Parodi	
D527,145 S	8/2006	Zimmermann	
D528,698 S	9/2006	Rizzuto, Jr.	
D529,230 S	9/2006	Koenemann	
D541,981 S	5/2007	Ceva	
D543,313 S	5/2007	Petrucelli, Jr.	
D544,147 S	6/2007	Baudouin	
D606,247 S *	12/2009	Yu	D28/13
D617,048 S *	6/2010	Kim	D28/13
D629,967 S	12/2010	Mayo et al.	
D641,521 S	7/2011	Parodi	
D646,848 S *	10/2011	Correll, Jr.	D28/13
D655,038 S	2/2012	Petrucelli	
D681,275 S *	4/2013	Huang	D28/13
D715,485 S	10/2014	Parodi	
D716,998 S	11/2014	Americano	
D716,999 S	11/2014	Americano	
D726,959 S	4/2015	Fernandes da Costa	
D726,960 S	4/2015	Fernandes da Costa	
D750,322 S	2/2016	Hu	
D758,657 S *	6/2016	Hary	D28/13
D788,365 S *	5/2017	Lamballais	D28/13
D810,356 S *	2/2018	Janowick	D28/16
D815,353 S *	4/2018	Barbar	D28/13
D821,647 S *	6/2018	Parodi	D28/13
2005/0069303 A1 *	3/2005	Maione	A45D 20/10 392/385
2018/0220767 A1 *	8/2018	Molayev	A45D 7/02

OTHER PUBLICATIONS

Drybar Baby Buttercup Travel Hair Dryer w/ Brush & Triple Sec on QVC, posted Aug. 17, 2017 00:15 [online], retrieved Oct. 10, 2018, retrieved from internet, <<https://www.youtube.com/watch?v=QdInXT7enCg>>.*

Internet Archive Wayback Machine; T3 Featherweight Compact Folding Hair Dryer downloaded from http://web.archive.org/web/20140927193215/http://t3micro.com/store/index.php?main_page=product_info&cPath=65&products_id=311 (Archived Sep. 27, 2014; printed on May 9, 2016).

Internet Archive Wayback Machine; T3 Featherweight Journey downloaded from http://web.archive.org/web/20130705002133/http://www.t3micro.com/store/index.php?main_page=product_info&cPath=65&products_id=267 (Archived Jul. 5, 2013; printed on May 9, 2016).

Internet Archive Wayback Machine; Remington D2400 Travel Dryer 1400 downloaded from <http://web.archive.org/web/20120221175946/http://en.remington-europe.com/women/haircare/dryers/travel-dryer-1400-d2400.html> (Archived Feb. 21, 2012; printed on May 9, 2016).

Internet Archive Wayback Machine; Conair Vagabond Compact Styler downloaded from http://web.archive.org/web/20110926212113/http://www.conair.com/vagabond-compact-styler-p-899-1_7_69.html (Archived Sep. 26, 2011; printed on May 9, 2016).

Internet Archive Wayback Machine; BaBylissPro™ Nano Titanium Travel Dryer downloaded from http://web.archive.org/web/20131207171640/http://www.babylissus.com/product.php?pcID=206_153&product_id=119 (Archived Dec. 7, 2013; printed on May 9, 2016).

BEAUDY 800 Hair Dryer downloaded from http://www.aliexpress.com/item/BEAUDY-800-hairdryer-62dB-quiet-operation-hair-dryers-foldable-handle-and-light-compact-hairdryer/866171413.html?ws_ab_test=searchweb201556_7_79_78_77_80,searchweb201644_5,searchweb201560_9, site visited May 5, 2016. For the purposes of prosecution, please consider this reference publicly available before Apr. 1, 2016.

POVOS PH3803 Foldable Handle 3-Mode Hair Dryer Blower with Hang-up Hook downloaded from <http://www.aliexpress.com/item/POVOS-PH3803-Foldable-Handle-3-Mode-1200W-Hair-Dryer-Blower-with-Hang-up-Hook-professional-salons/1176014147.html>, site visited May 5, 2016. For the purposes of prosecution, please consider this reference publicly available before Apr. 1, 2016.

Diva Dynamica 3000 Pro Global downloaded from https://salonsupplies.co.uk/product/dynamica_3000_pro_global, site visited May 5, 2016. For the purposes of prosecution, please consider this reference publicly available before Apr. 1, 2016.

Bio Ionic iTools Travel Pro Dryer—Dual Voltage downloaded from <http://www.folica.com/tools/hair-dryers/bio-ionic-itools-travel-pro-dryer-dual-voltage>, site visited May 12, 2016. For the purposes of prosecution, please consider this reference publicly available before Apr. 1, 2016.

Internet Archive Wayback Machine; Parlux 385 PowerLight Ionic and Ceramic Hair Dryer downloaded from <http://web.archive.org/web/20141029064550/http://www.parluxus.com/parlux-385-powerlight-ionic-and-ceramic-hair-dryer-red> (Archived Oct. 29, 2014; printed on May 19, 2016).

Internet Archive Wayback Machine; Parlux 3800 Ionic and Ceramic Hair Dryer downloaded from <http://web.archive.org/web/20141029064359/http://www.parluxus.com/parlux-3800-ionic-and-ceramic-hair-dryer-red> (Archived Oct. 29, 2014; printed on May 20, 2016).

Internet Archive Wayback Machine; Parlux 3200 Compact Hair Dryer downloaded from <http://web.archive.org/web/20141028064452/http://www.parluxus.com/parlux-3200-compact-hair-dryer-red> (Archived Oct. 28, 2014; printed on May 20, 2016).

Internet Archive Wayback Machine; Bio Ionic PowerLight Pro-Dryer downloaded from <http://web.archive.org/web/20150607012608/http://bioionic.com/shop/powerlight-pro-dryer> (Archived Jun. 7, 2015; printed on May 20, 2016).

Internet Archive Wayback Machine; Express Ion Dry v.2 downloaded from <http://web.archive.org/web/20100918023240/http://www.paulmitchell.com/en-us/Products/ProTools/Dryers/Pages/ExpressIonDryV2.aspx> (Archived Sep. 18, 2010; printed on May 20, 2016).

Internet Archive Wayback Machine; Drybar Buttercup Blow Dryer downloaded from <http://web.archive.org/web/20121231014952/http://shop.thedrybar.com/products/buttercup-blowdryer> (Archived Dec. 31, 2012; printed on May 12, 2016).

“Baby buttercup travel blow dryer,” Online, posted Jul. 28, 2016, retrieved May 5, 2017, retrieved from http://shop.nordstrom.com/s/drybar-baby-buttercup-travel-blow-dryer/4328845?cm_mmc=google-_productads--Women%3AHairAccessories%3AHairtool-_5149837&rkq_id=h-3d931746b1189f150cc2886ebb40f595_t-1494001940&adpos=1o6&creative=57185062073&device=c&

* cited by examiner

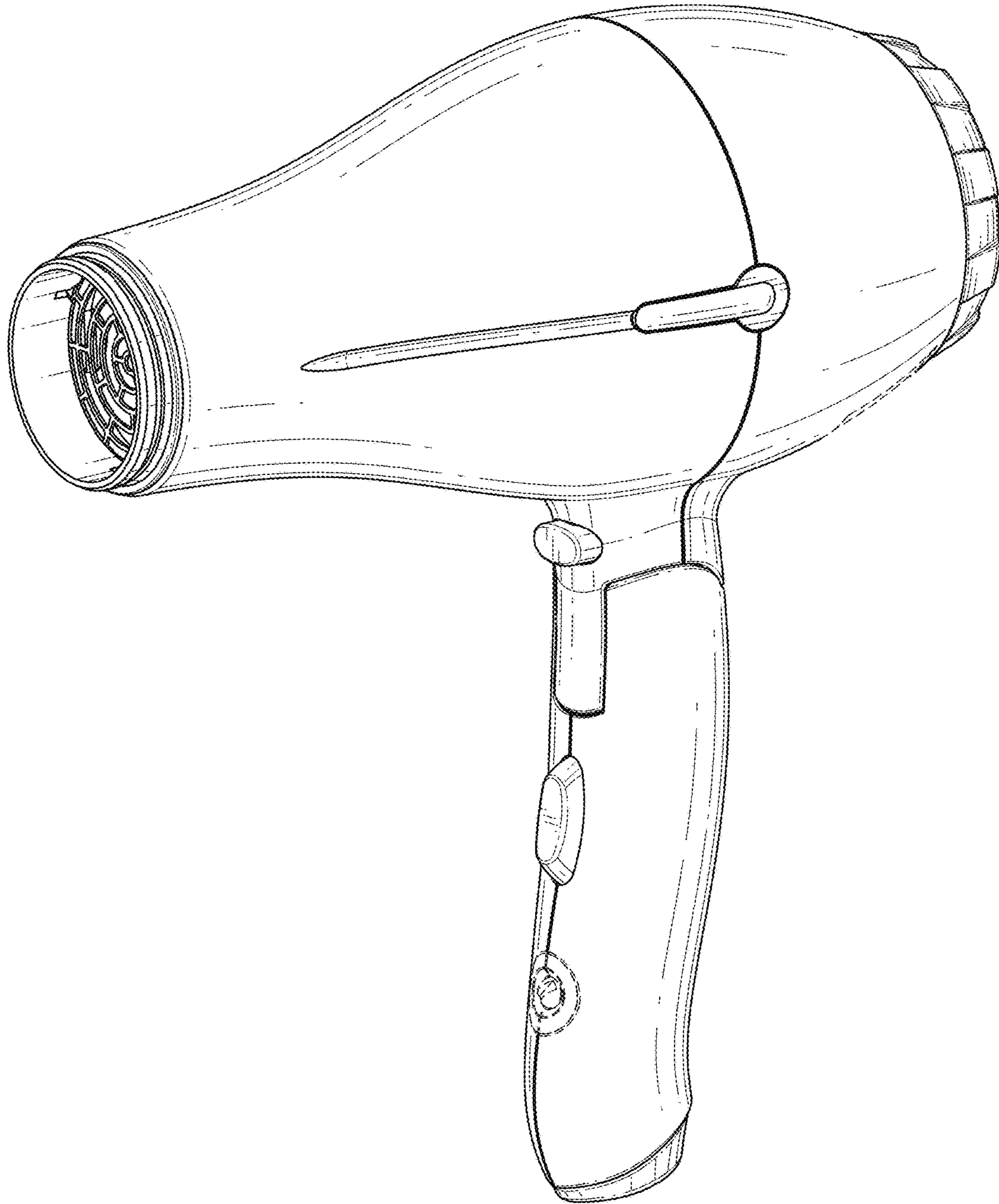


FIG. 1

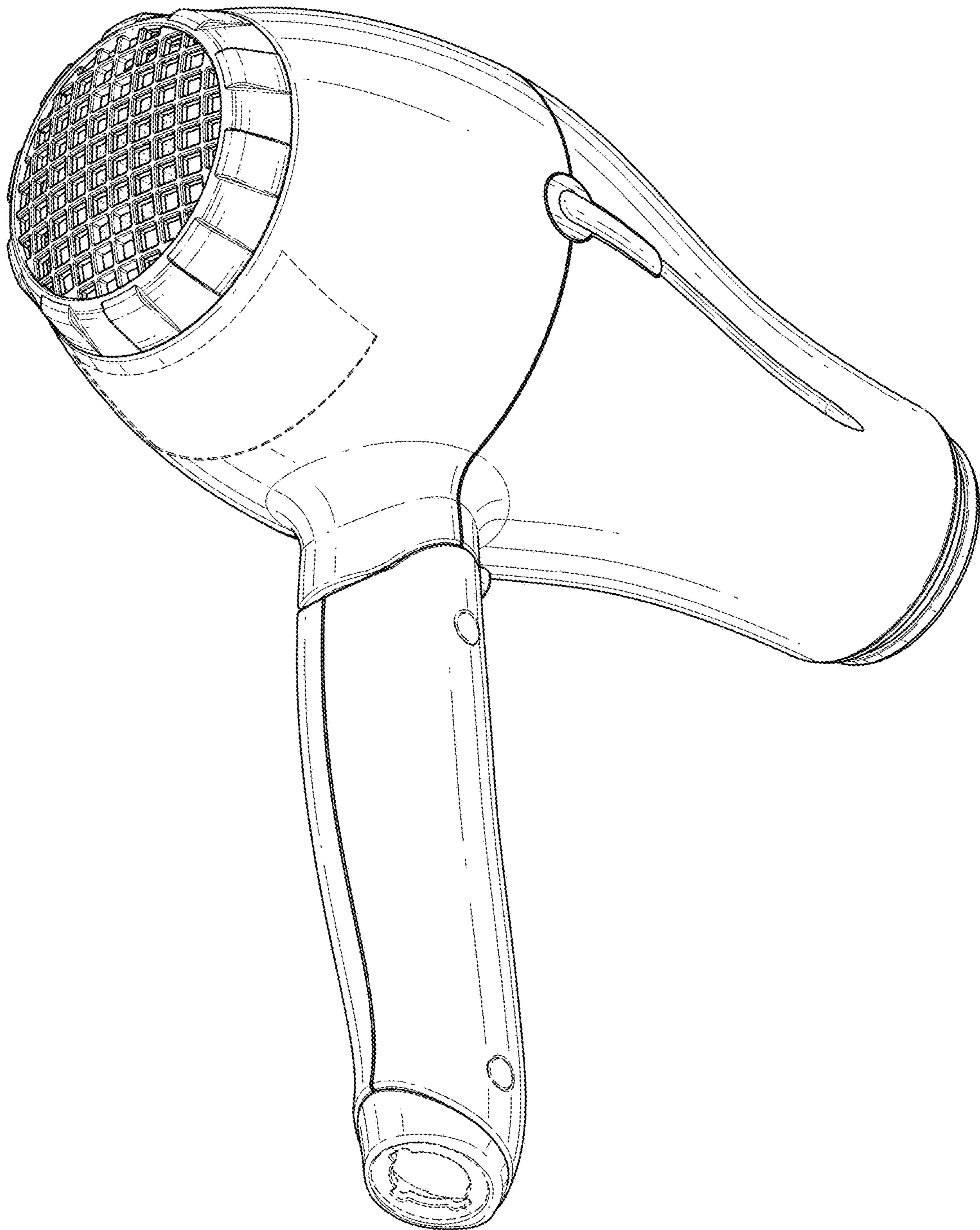


FIG. 2

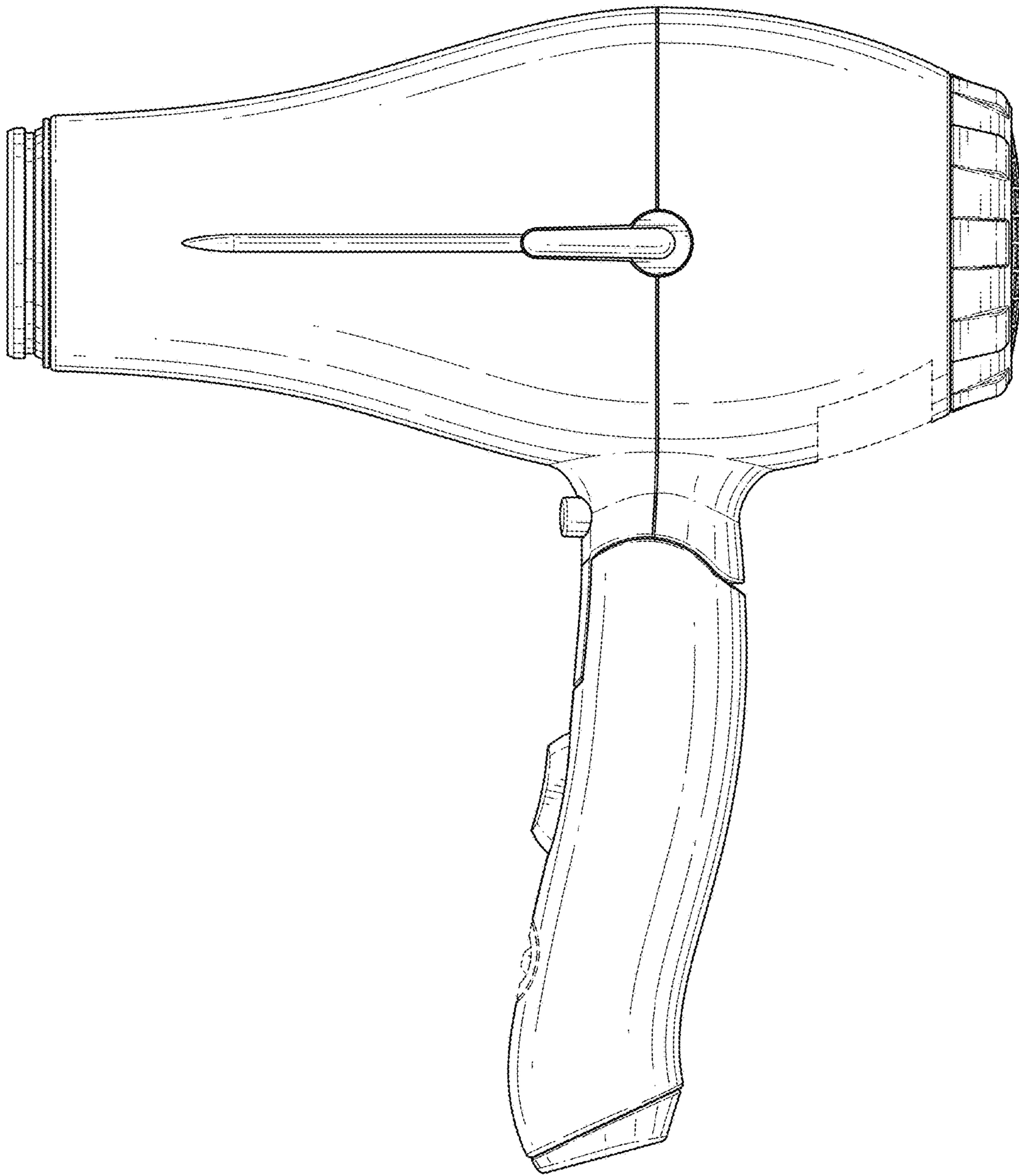


FIG. 3

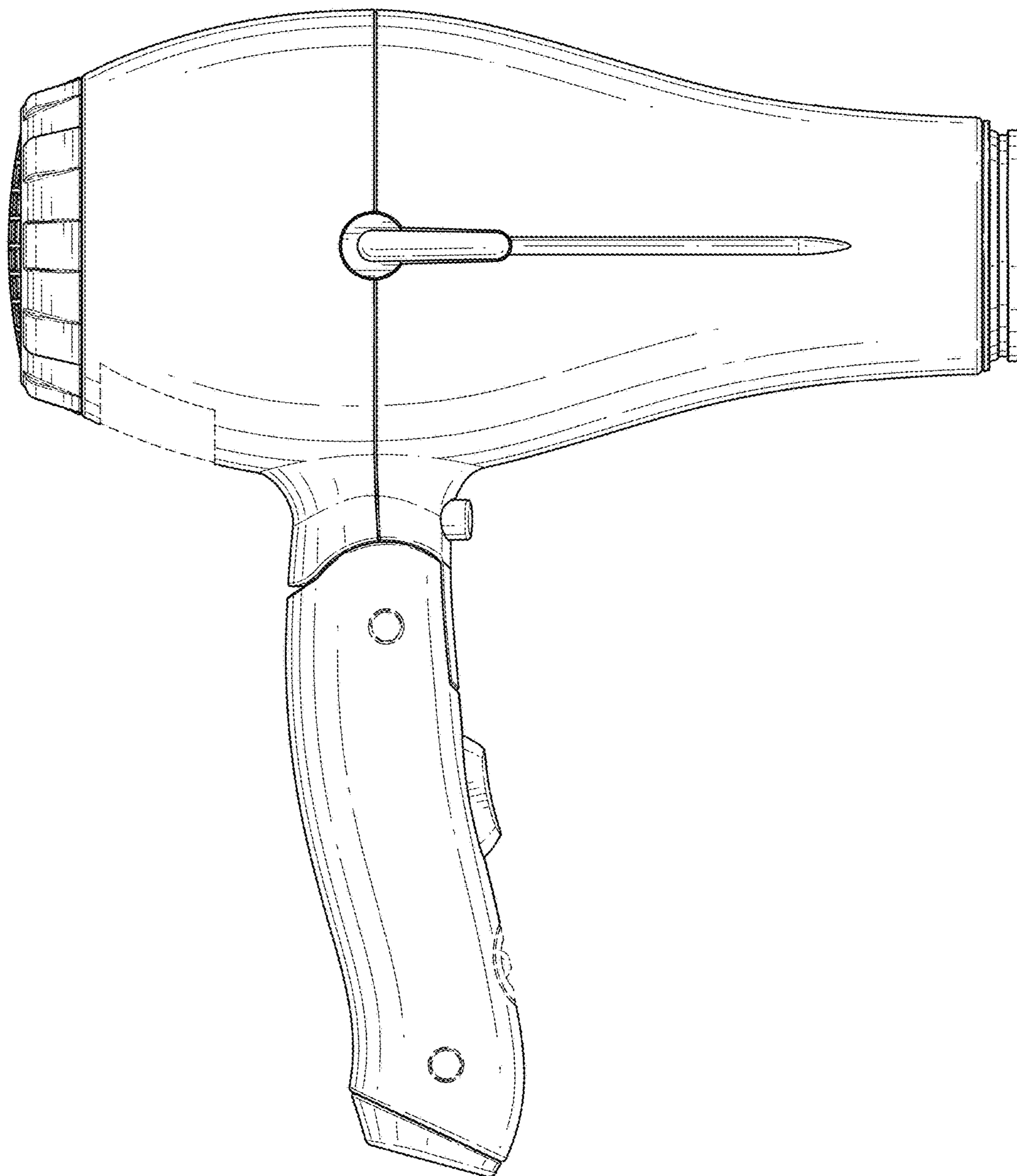


FIG. 4

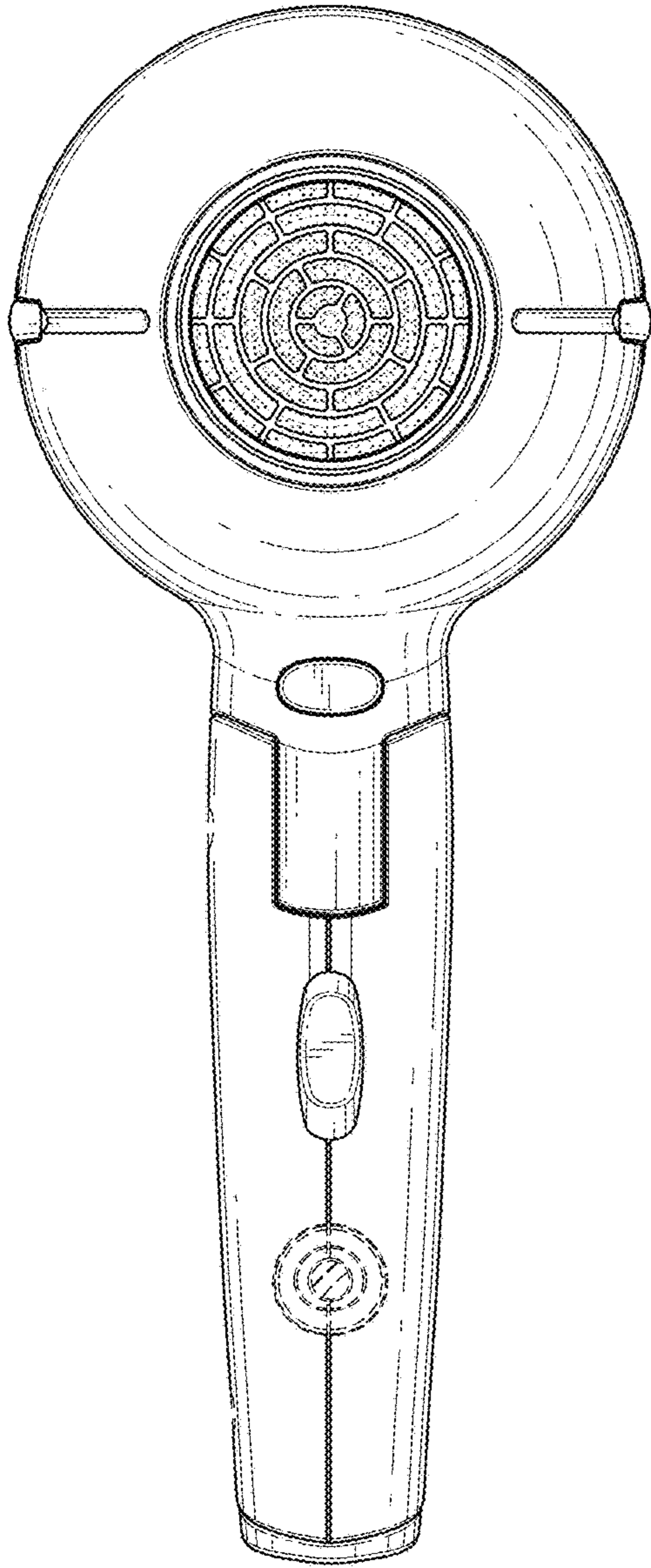


FIG. 5

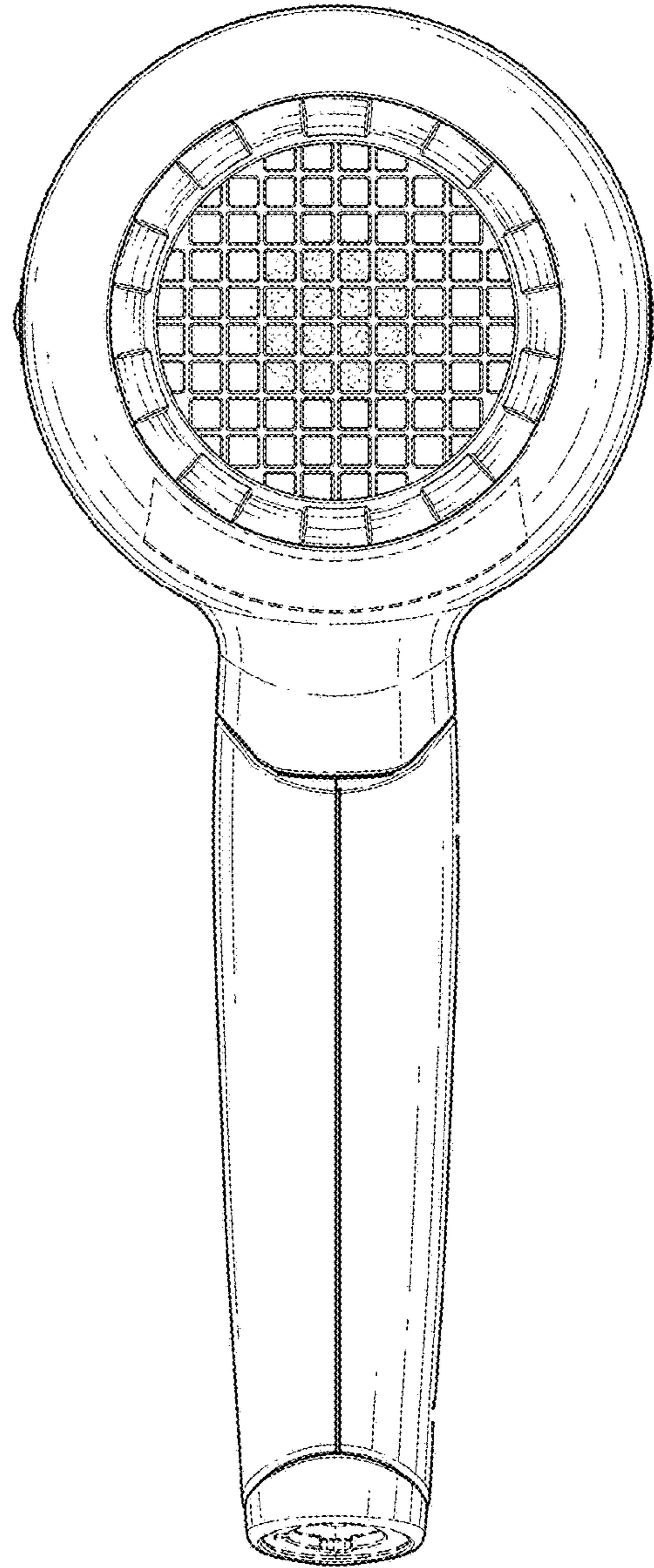


FIG. 6

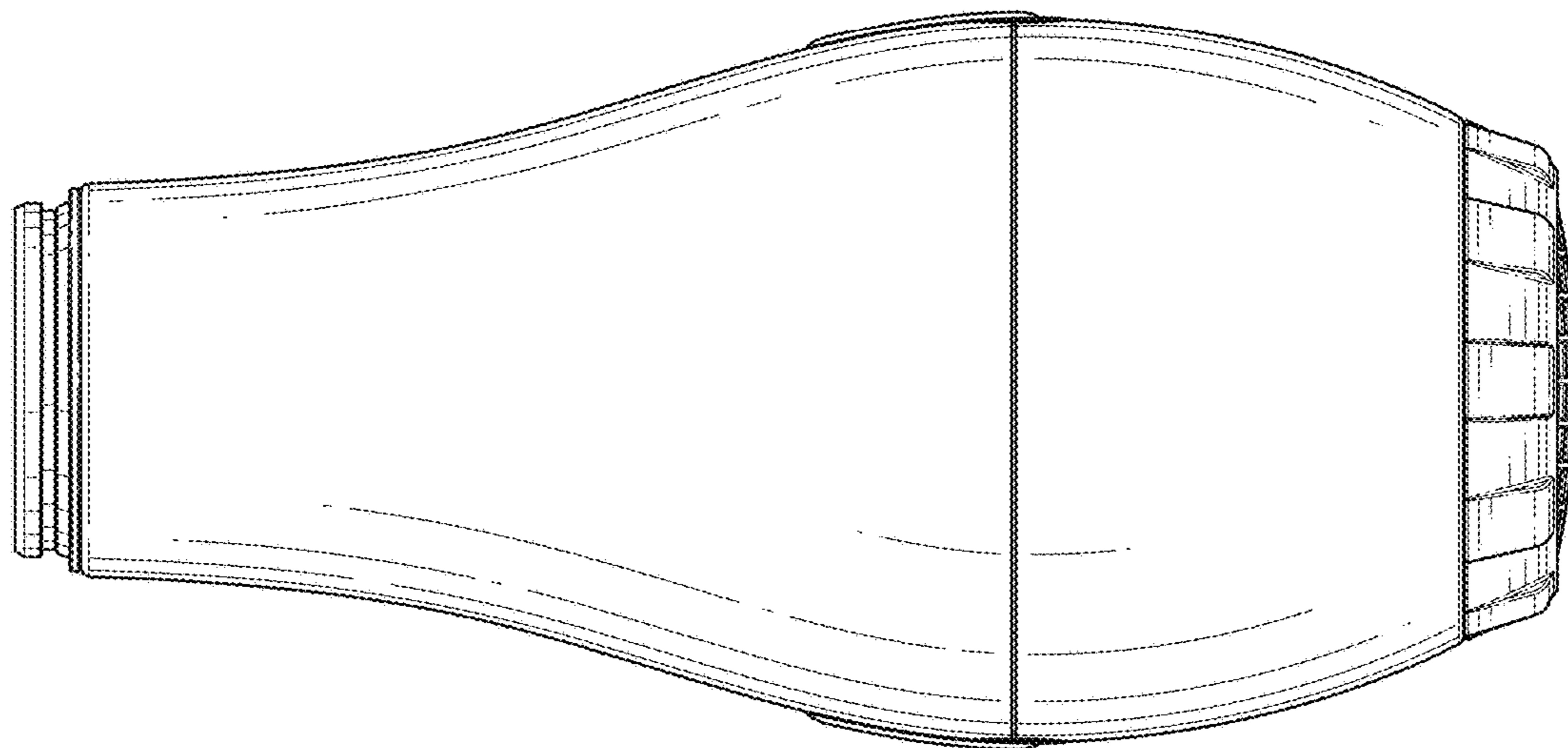


FIG. 7

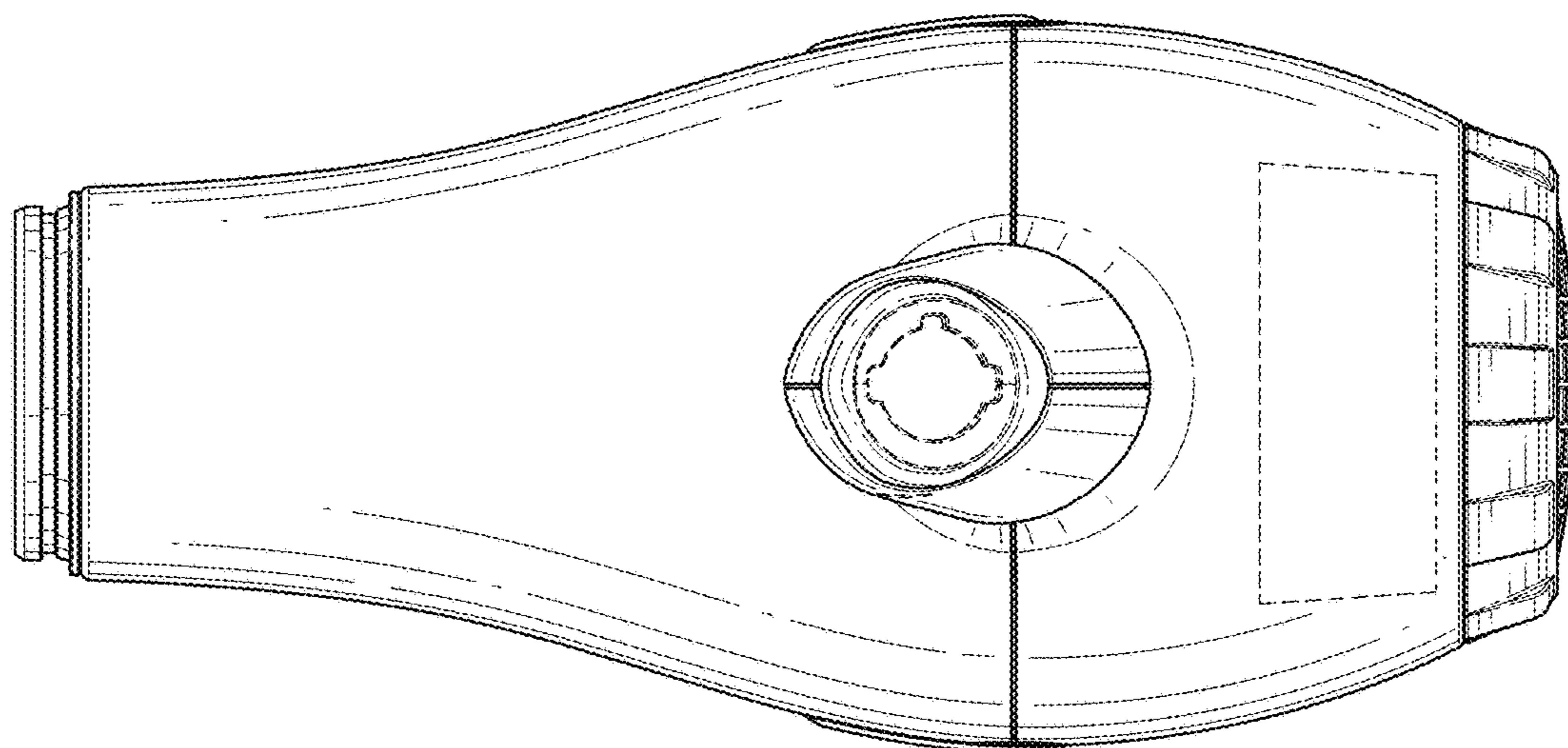


FIG. 8

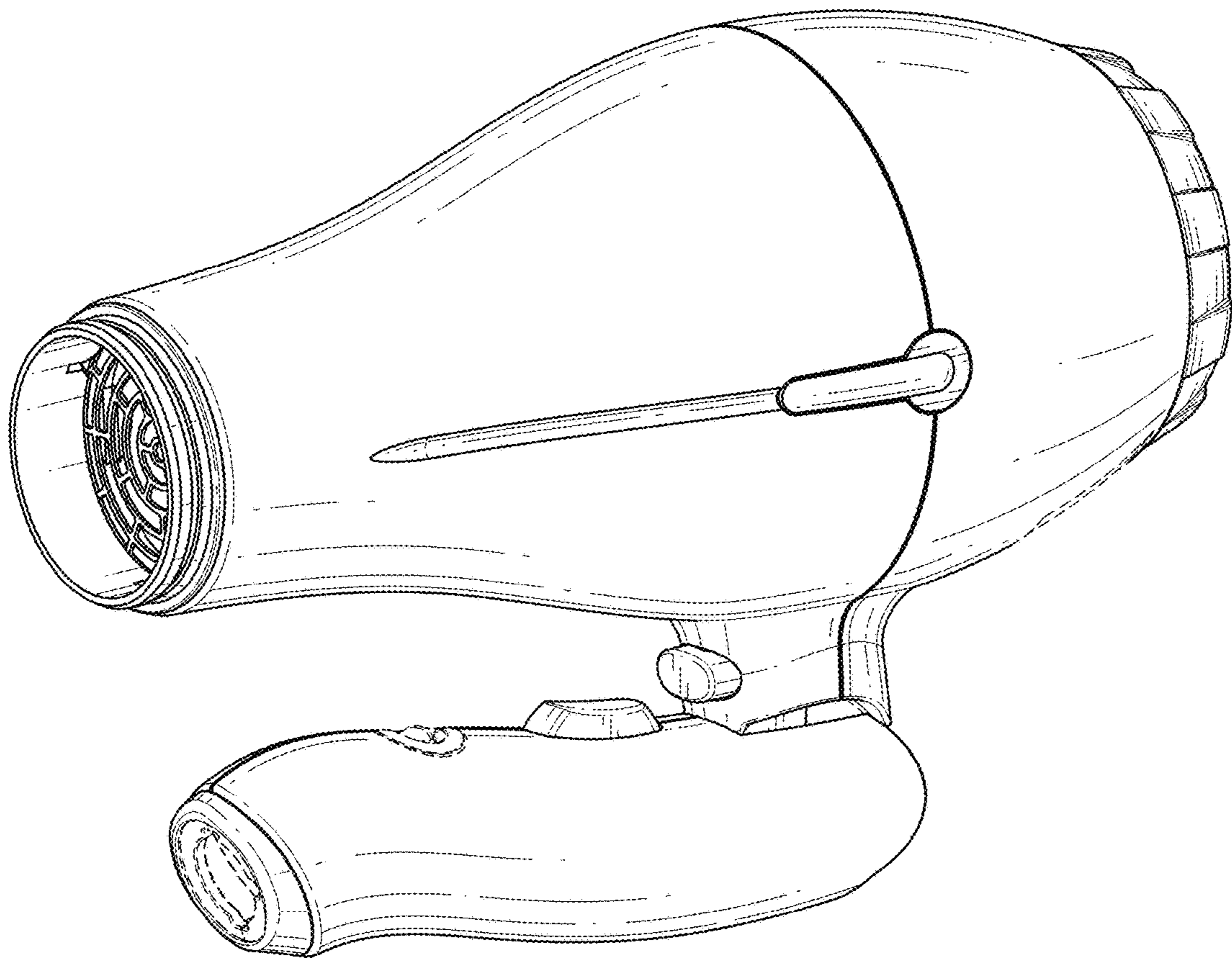


FIG. 9

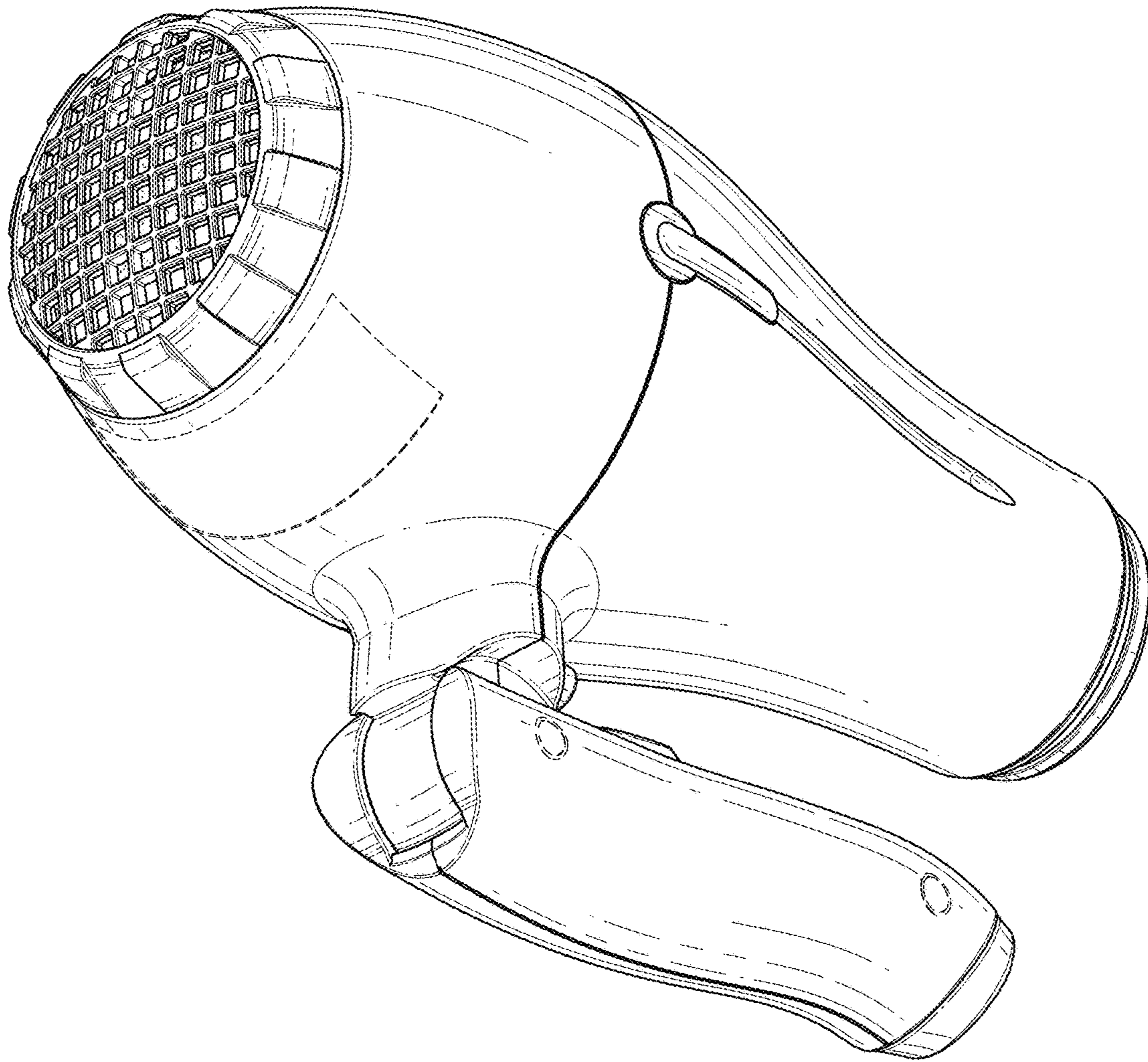


FIG. 10