



US00D865282S

(12) **United States Design Patent** (10) **Patent No.:** **US D865,282 S**
Rheu (45) **Date of Patent:** **** Oct. 29, 2019**

(54) **EYELASH VANITY**
(71) Applicant: **Kiss Nail Products, Inc.**, Port Washington, NY (US)
(72) Inventor: **Hee Sang Rheu**, Port Washington, NY (US)
(73) Assignee: **Kiss Nail Products, Inc.**, Port Washington, NY (US)

(**) Term: **15 Years**

(21) Appl. No.: **29/644,509**

(22) Filed: **Apr. 18, 2018**

(51) **LOC (12) Cl.** **28-02**

(52) **U.S. Cl.**
USPC **D28/7**

(58) **Field of Classification Search**
USPC D28/93, 73, 76, 99, 92, 7, 10, 36;
132/212, 216-218
CPC A41G 5/02; A45D 44/00; A45D 34/00;
A45D 34/20; A45D 34/002
See application file for complete search history.

(56) **References Cited**

U.S. PATENT DOCUMENTS

D611,657 S * 3/2010 Maddy D28/83
8,881,744 B2 * 11/2014 McKinstry A41G 5/02
132/216
D735,941 S * 8/2015 Seminoff D28/10
D788,985 S * 6/2017 Hansen D28/93
D800,968 S * 10/2017 Hansen D28/93

9,913,506 B2 * 3/2018 Hansen A41G 5/02
2002/0189628 A1 * 12/2002 Iosilevich A45D 2/48
132/217
2011/0303236 A1 * 12/2011 Bruff A45D 40/264
132/200
2015/0201692 A1 * 7/2015 Hansen A41G 5/02
132/201
2015/0351476 A1 * 12/2015 Lin B65D 73/00
206/490
2016/0324242 A1 * 11/2016 Hansen A41G 5/02
2016/0353861 A1 * 12/2016 Carey A45D 44/00
2018/0160792 A1 * 6/2018 Countryman A47K 10/02

* cited by examiner

Primary Examiner — Susan Bennett Hattan
Assistant Examiner — Rebecca Tsehaye

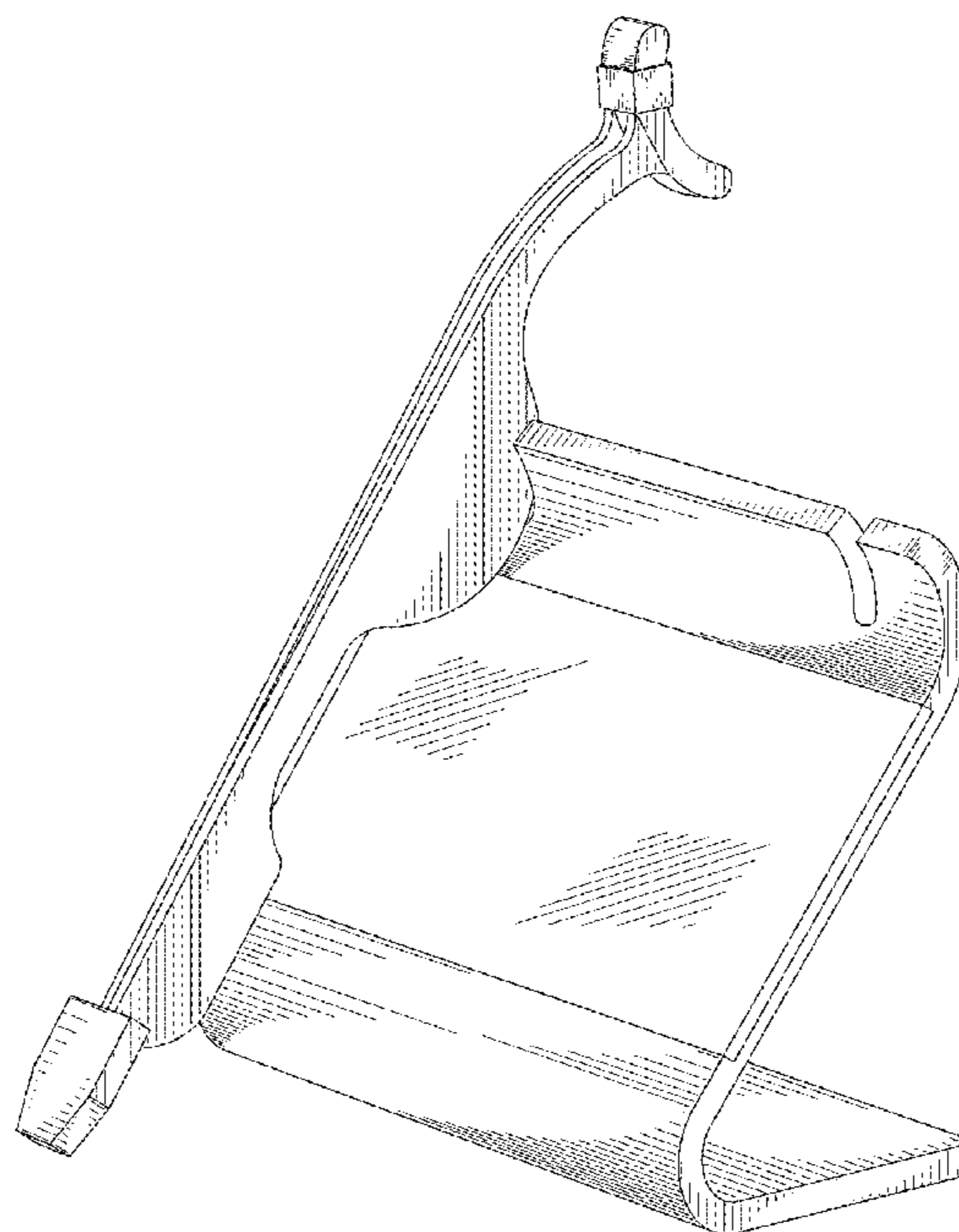
(57) **CLAIM**

The ornamental design for eyelash vanity, as shown and described.

DESCRIPTION

FIG. 1 is a front isometric view of an eyelash vanity showing my new design;
FIG. 2 is a back isometric view of thereof;
FIG. 3 is a front elevation view thereof;
FIG. 4 is a right side elevation view thereof;
FIG. 5 is a rear elevation view thereof;
FIG. 6 is a left side elevation view thereof;
FIG. 7 is a top plan view thereof; and,
FIG. 8 is a bottom plan view thereof.

1 Claim, 7 Drawing Sheets



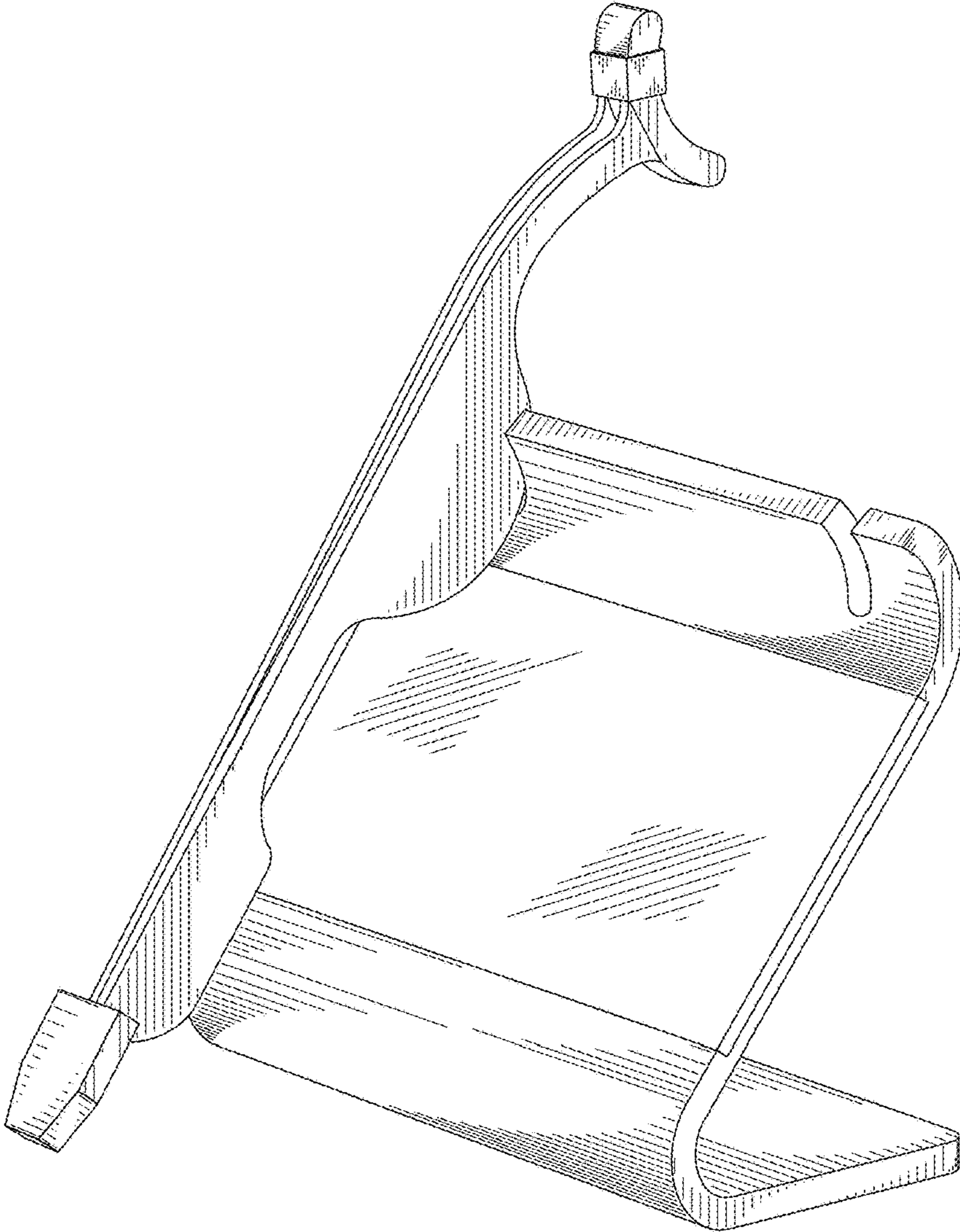


FIG. 1

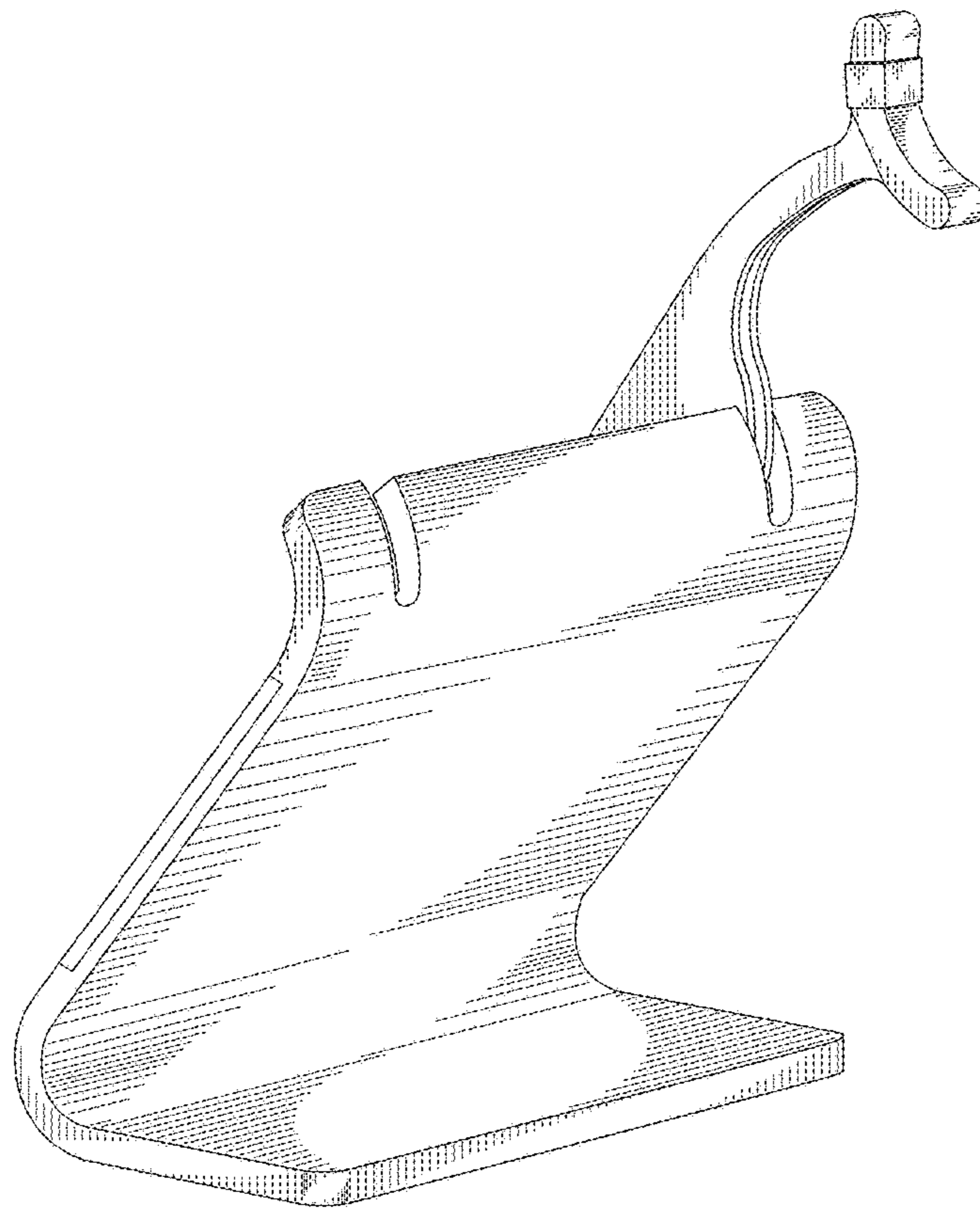


FIG. 2

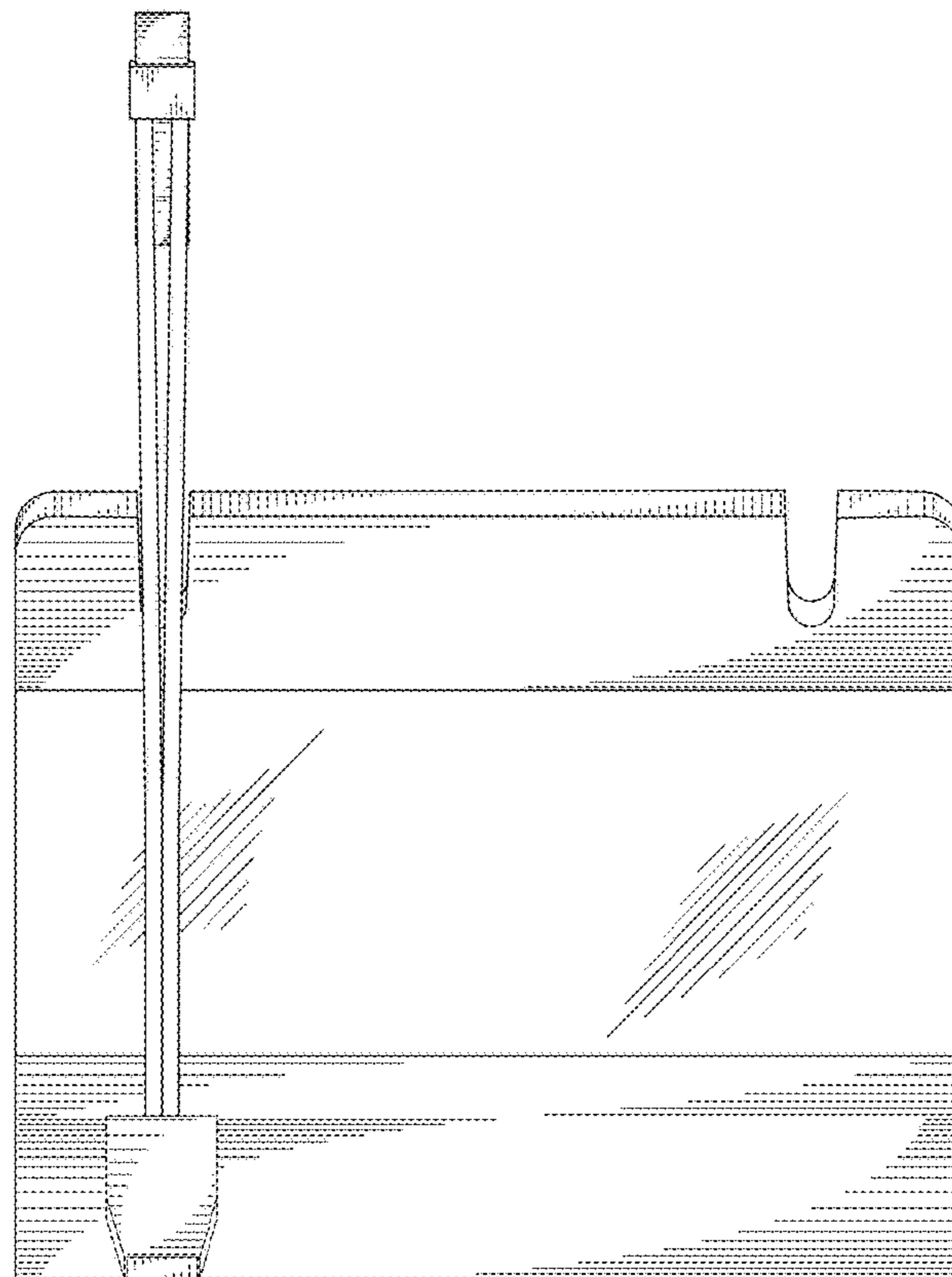


FIG. 3

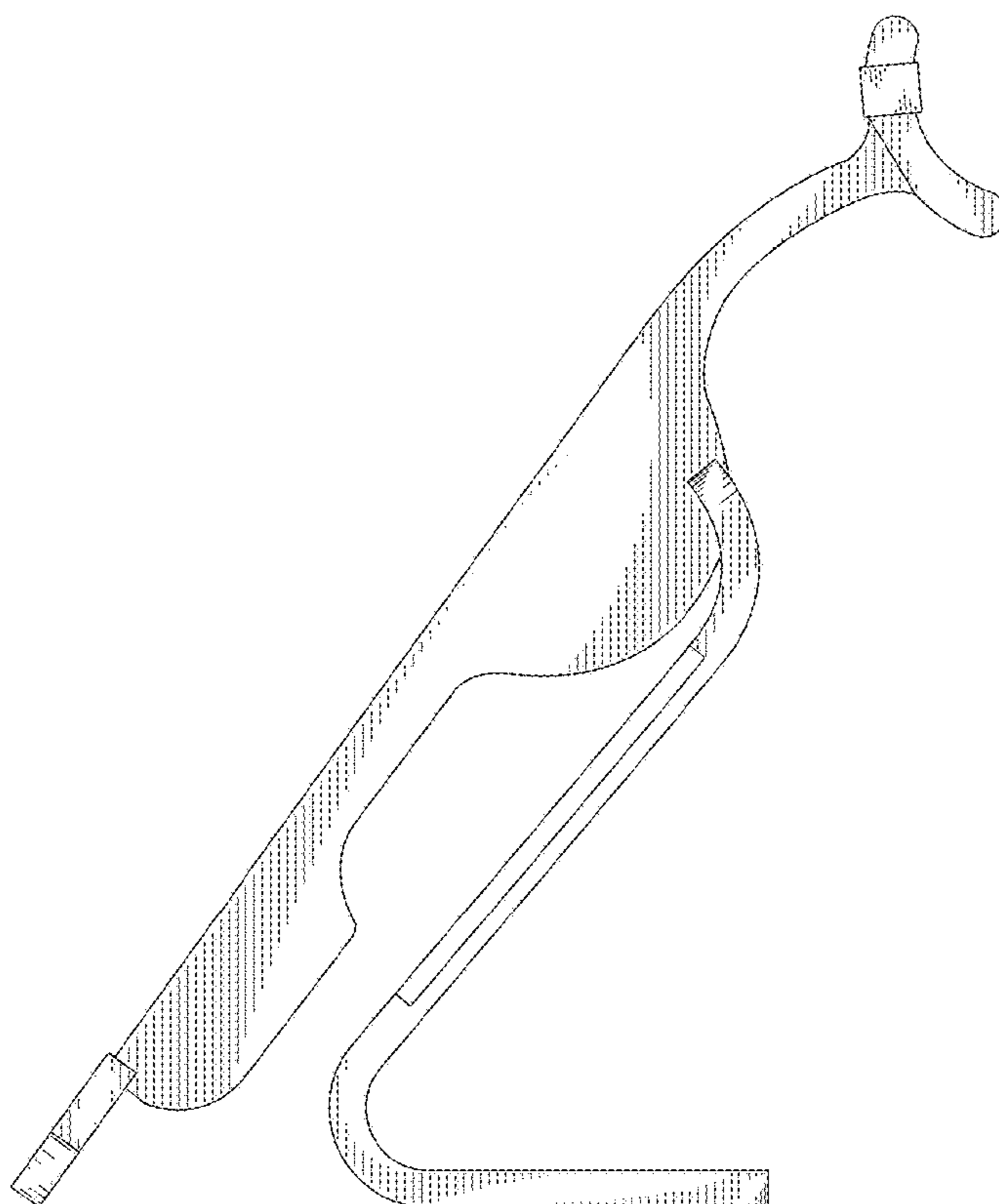


FIG. 4

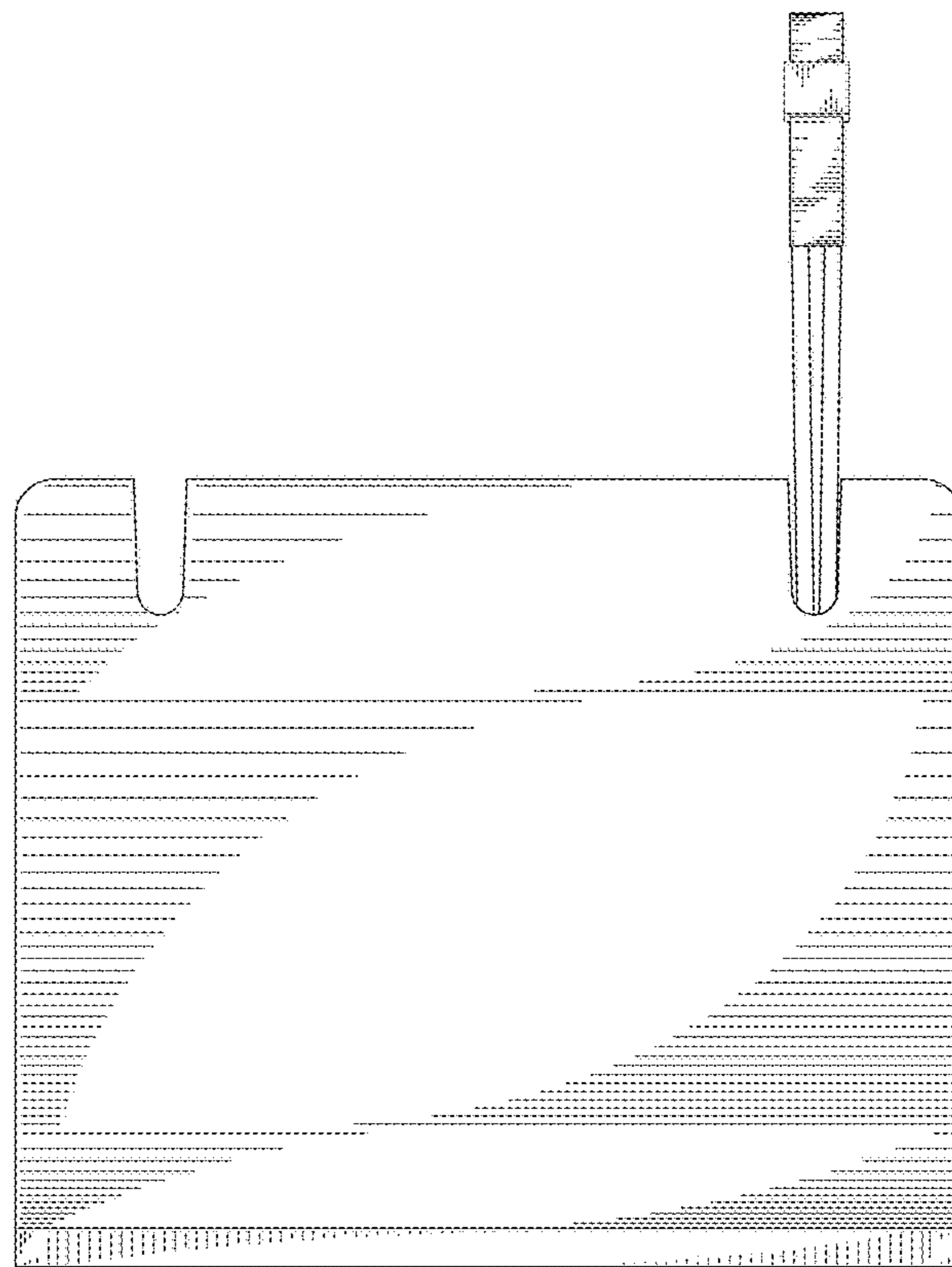


FIG. 5

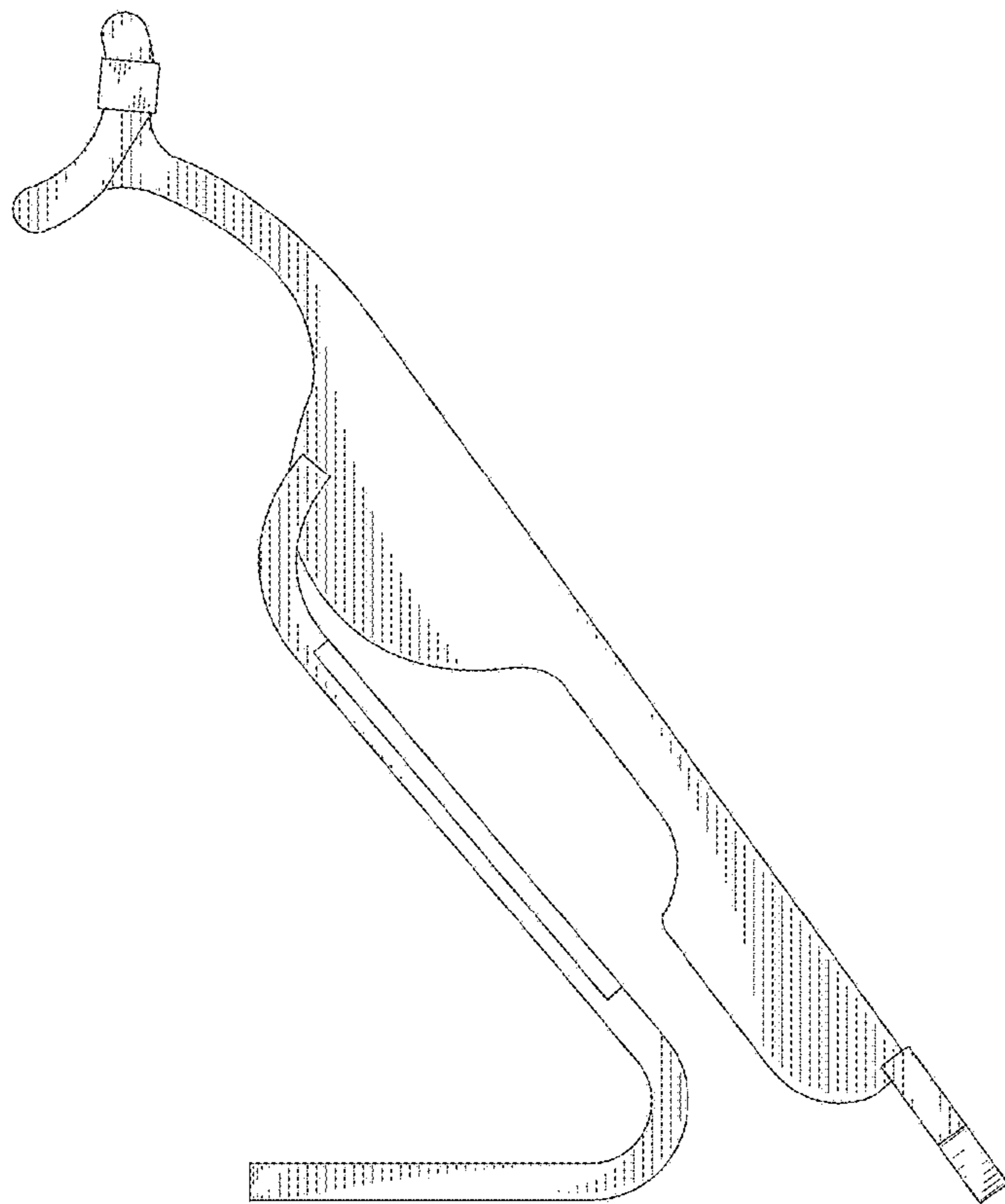


FIG. 6

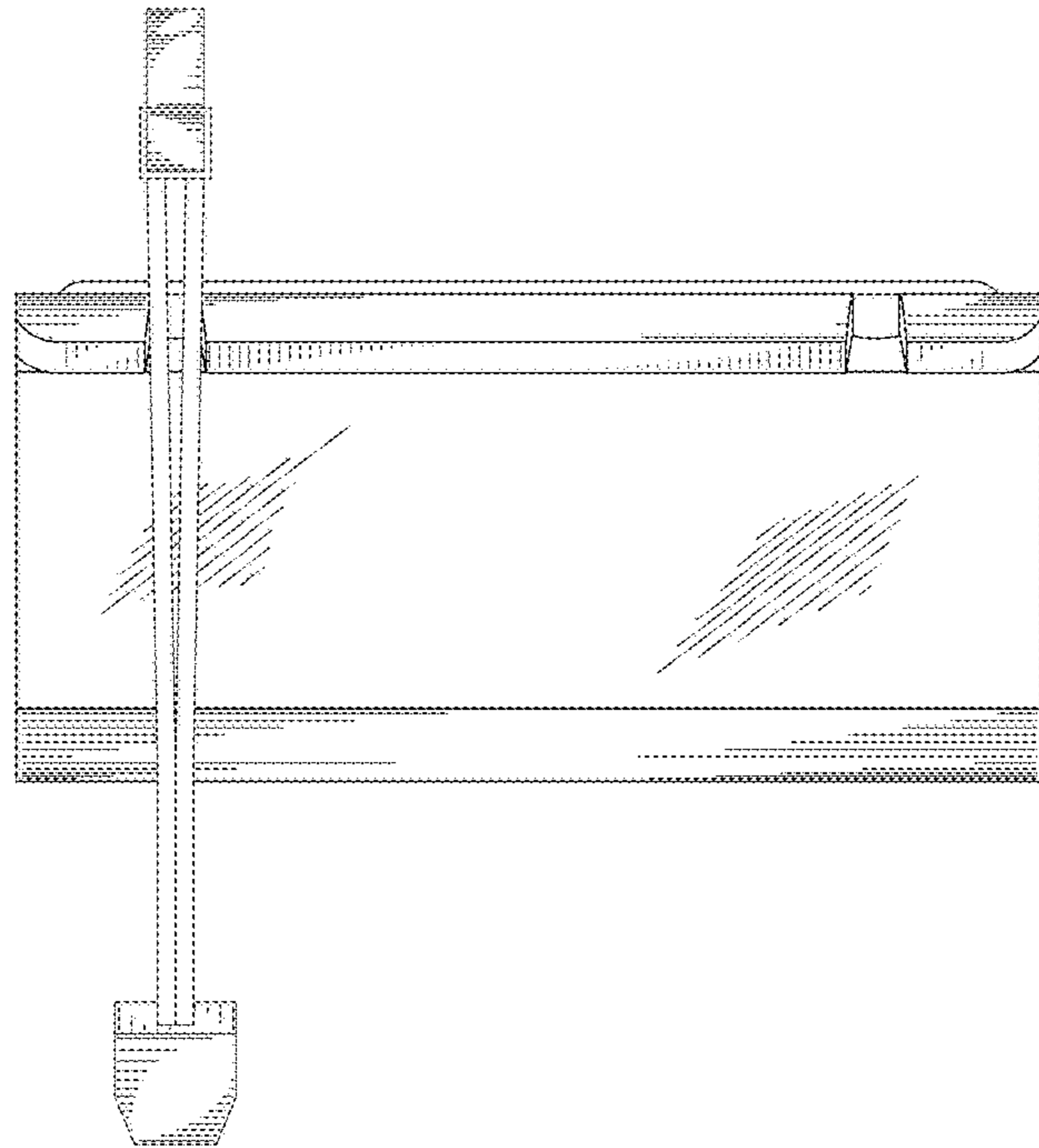


FIG. 7

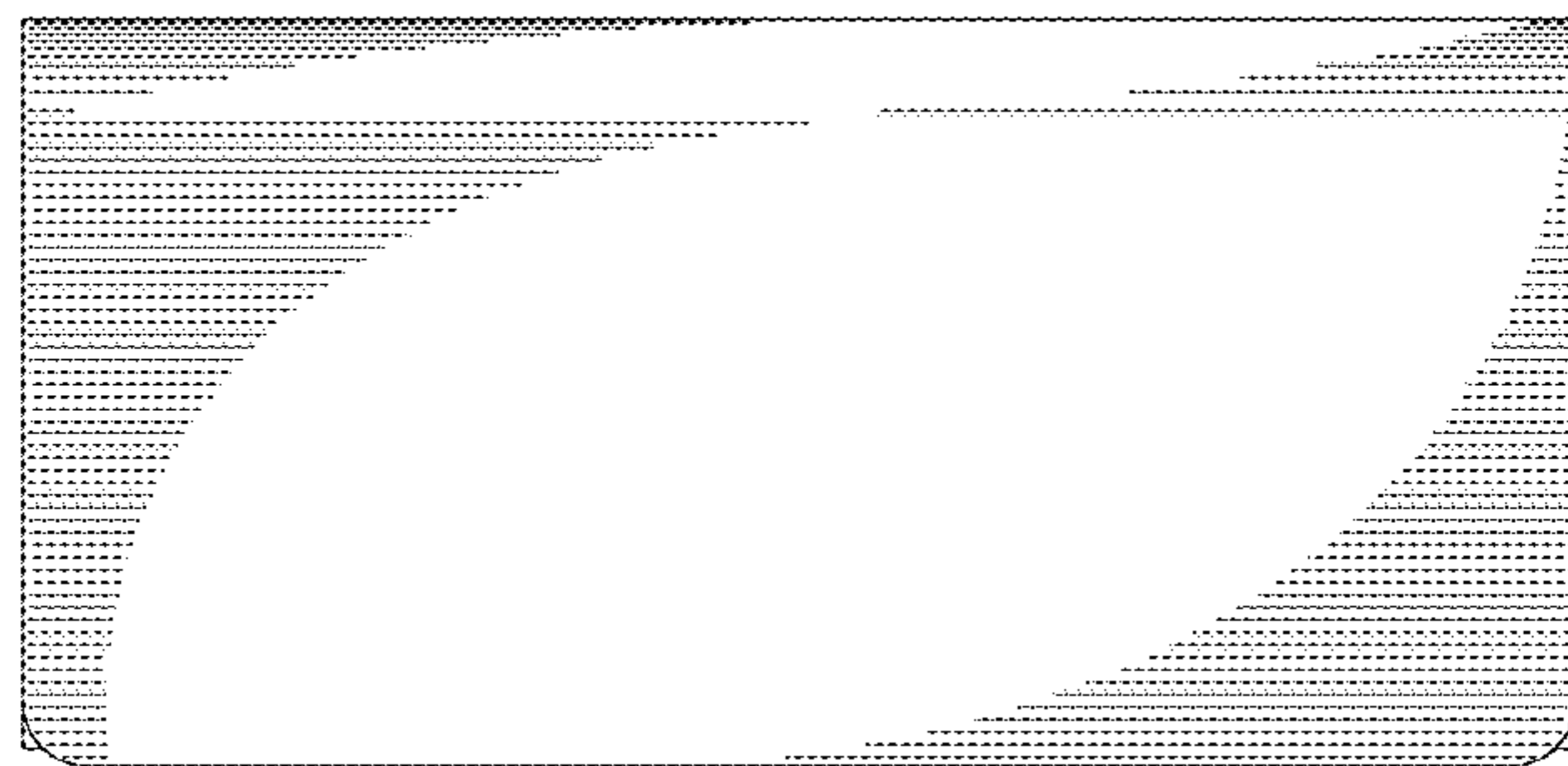


FIG. 8