



US00D865280S

(12) **United States Design Patent**  
**Yang**

(10) **Patent No.:** **US D865,280 S**

(45) **Date of Patent:** **\*\* \*Oct. 29, 2019**

(54) **TIP FOR EYE LINER**

(71) Applicant: **RICHCOS CO., LTD.**, Gyeonggi-do (KR)

(72) Inventor: **Ha Suk Yang**, Gyeonggi-do (KR)

(73) Assignee: **RICHOS CO., LTD.**, Gyeonggi-do (KR)

(\*) Notice: This patent is subject to a terminal disclaimer.

(\*\*) Term: **15 Years**

(21) Appl. No.: **29/591,054**

(22) Filed: **Jan. 16, 2017**

(51) **LOC (12) Cl.** ..... **28-02**

(52) **U.S. Cl.**  
USPC ..... **D28/7**

(58) **Field of Classification Search**  
USPC ..... D28/4, 7, 8, 99, 76; D19/101, 115, 116, D19/117, 118, 119, 120, 121, 122, 123, D19/124, 125-180, 192; D9/723-729, D9/695, 696, 503, 504  
CPC ..... A45D 2200/1072; A45D 2200/10; A45D 2200/1018; A45D 2200/1027; A45D 2200/1036; A45D 2200/1045  
See application file for complete search history.

(56) **References Cited**

**U.S. PATENT DOCUMENTS**

D268,935 S \* 5/1983 Horntrich ..... D19/164  
D271,889 S \* 12/1983 Kruckel ..... D19/163  
D300,331 S \* 3/1989 Horntrich ..... 401/202  
D389,965 S \* 1/1998 Saladino ..... D19/131  
D520,058 S \* 5/2006 Harrison ..... D19/180

D567,852 S \* 4/2008 Qiu ..... D19/163  
D601,191 S \* 9/2009 Hung ..... D19/117  
D611,094 S \* 3/2010 Collin ..... D19/170  
D648,786 S \* 11/2011 Jianjie ..... D19/117  
D693,059 S \* 11/2013 Tani ..... D28/7  
D809,601 S \* 2/2018 Ma ..... D19/170  
2016/0286936 A1 \* 10/2016 Ashburn ..... A45D 40/30

**OTHER PUBLICATIONS**

The Notice, Clinique Pretty Easy Liquid Eyelining Pen, posted Sep. 24, 2015, [online], [site visited Sep. 19, 2018]. Available from Internet, <URL: <https://thenotice.net/2015/09/clinique-faceforward-campaign/clinique-pretty-easy-liquid-eyelining-pen/>> (Year: 2015).\*

(Continued)

*Primary Examiner* — Sheryl Lane

*Assistant Examiner* — Samantha N Wood

(74) *Attorney, Agent, or Firm* — IP & T Group LLP

(57) **CLAIM**

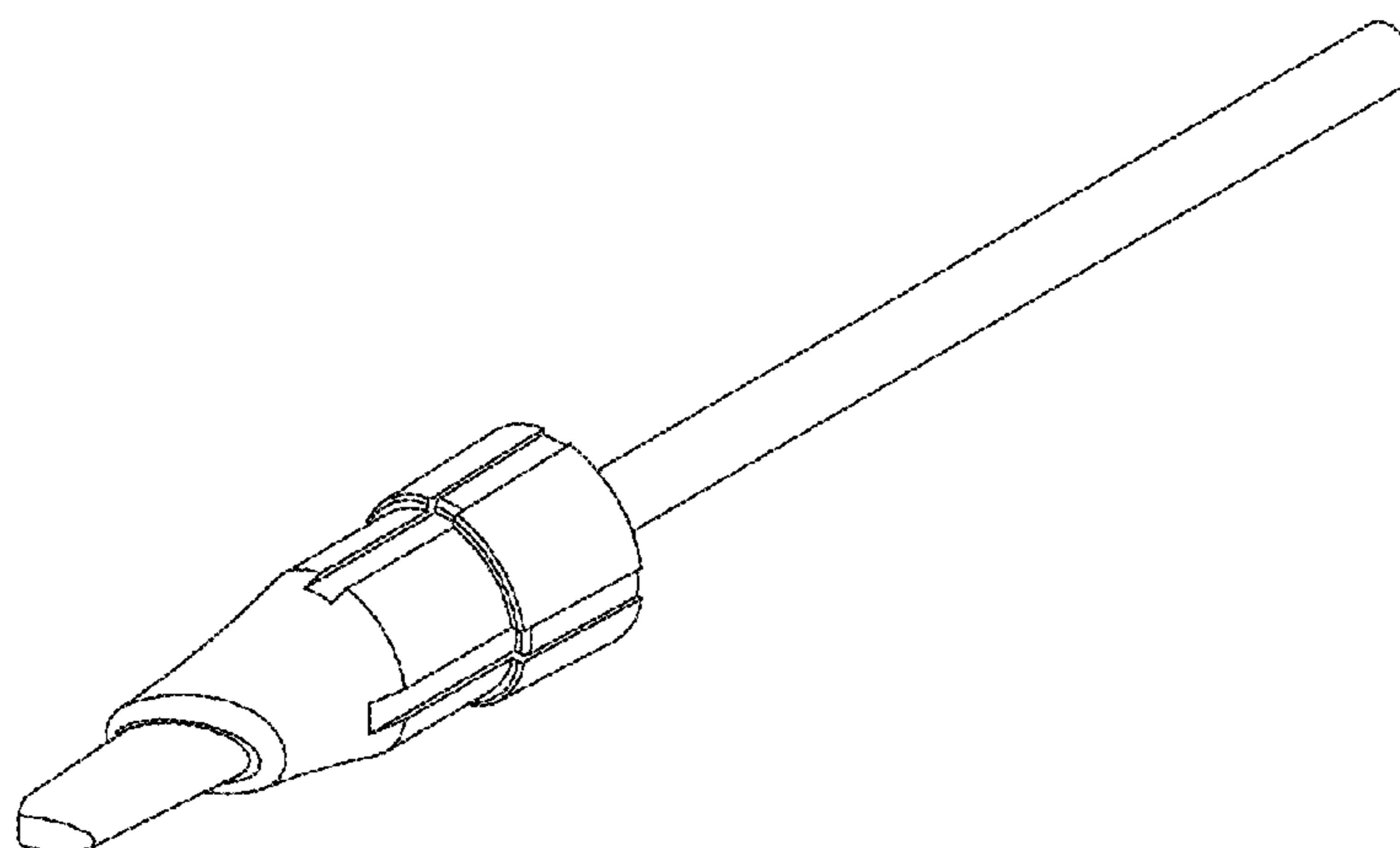
The ornamental design for a tip for eye liner, as shown and described.

**DESCRIPTION**

FIG. 1 is a perspective view of a tip for eye liner showing the new design; and  
FIG. 2 is a front view thereof;  
FIG. 3 is a rear view thereof;  
FIG. 4 is a left side view thereof;  
FIG. 5 is a right side view thereof;  
FIG. 6 is a top view thereof;  
FIG. 7 is a cross-sectional view along line 7-7 of FIG. 2; and,  
FIG. 8 is a view of an tip for eye liner in an exemplary environment.

The broken line showing of the tip for eye liner in FIG. 8 is for environmental purposes only and forms no part of the claimed design.

**1 Claim, 3 Drawing Sheets**



(56)

**References Cited**

## OTHER PUBLICATIONS

Amazon, Sharpie Calligraphic Chisel Tip, posted Jun. 3, 2007, [online], [site visited Sep. 19, 2018]. Available from Internet, <URL: <https://www.amazon.com/Sharpie-Calligraphic-Chisel-Markers-40150SH/dp/B00DOA914M>> (Year: 2007).\*

Wikipedia, The “chisel tip” of a marker, posted Dec. 20, 2008, [online], [site visited Sep. 19, 2018]. Available from Internet, <URL: [https://en.wikipedia.org/wiki/Permanent\\_marker#/media/File:Permanent\\_ink\\_marker\\_-\\_chisel\\_tip.jpg](https://en.wikipedia.org/wiki/Permanent_marker#/media/File:Permanent_ink_marker_-_chisel_tip.jpg)> (Year: 2008).\*

Aqua Heart, Milani cosmetics eye tech mini & angle felt tip liquid liners review, posted Sep. 3, 2013, [online], [site visited Sep. 19, 2018]. Available from Internet, <URL: <https://www.aquaheart.net/2013/09/milani-cosmetics-eye-tech-mini-angle.html>> (Year: 2013).\*

Coffretgorge, DollyWink and Heroine Make Liquid Eyeliners Comparative Review, posted Feb. 8, 2011, [online], [site visited Sep. 21, 2018]. Available from Internet, <URL: <http://coffretgorge.blogspot.com/2011/02/dollywink-and-heroine-make-liquid.html>> (Year: 2011).\*

Youtube, Review: Etude House Drawing Show Easygraphy Brush Liner, posted Dec. 14, 2017, [online], [site visited Jan. 23, 2019]. Internet, <URL: <https://www.youtube.com/watch?v=qMpgcL6Zz00>> (Year: 2017).\*

\* cited by examiner

FIG. 1

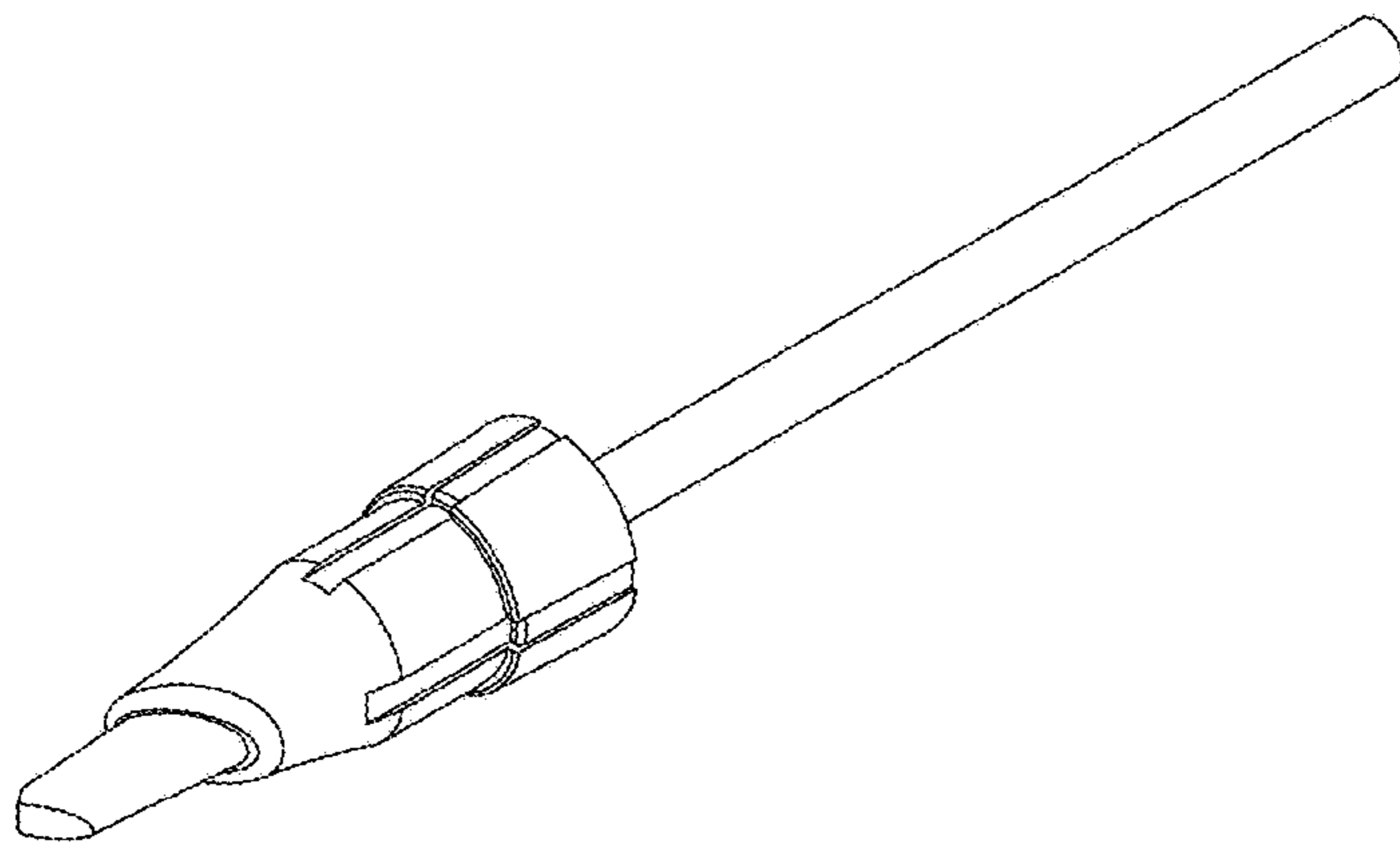


FIG. 2

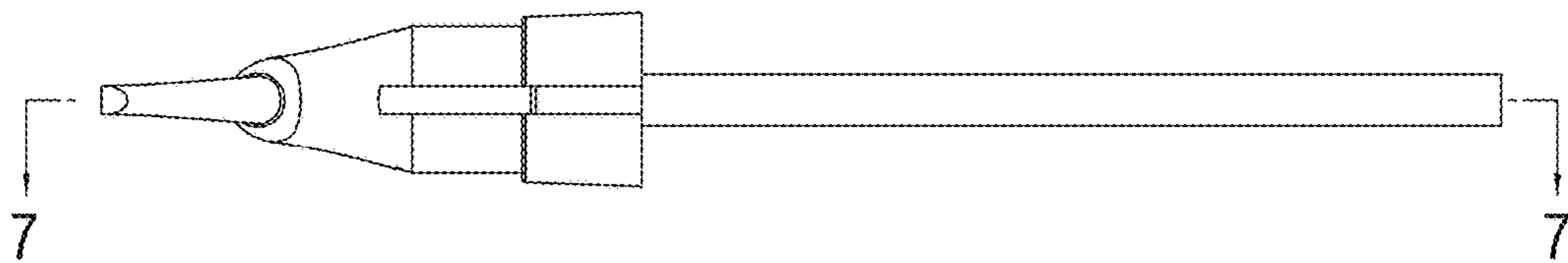


FIG. 3

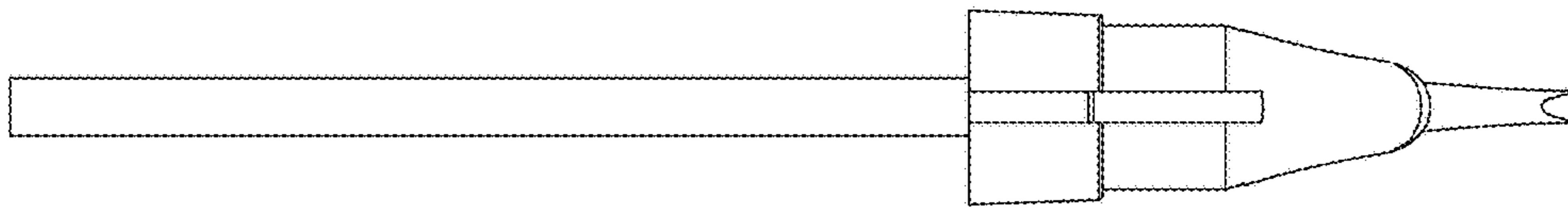


FIG. 4

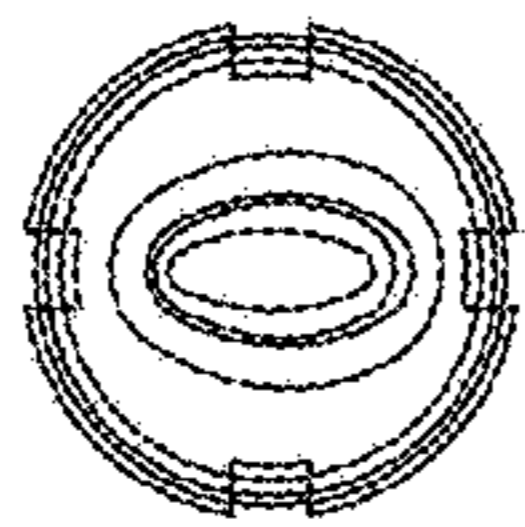


FIG. 5

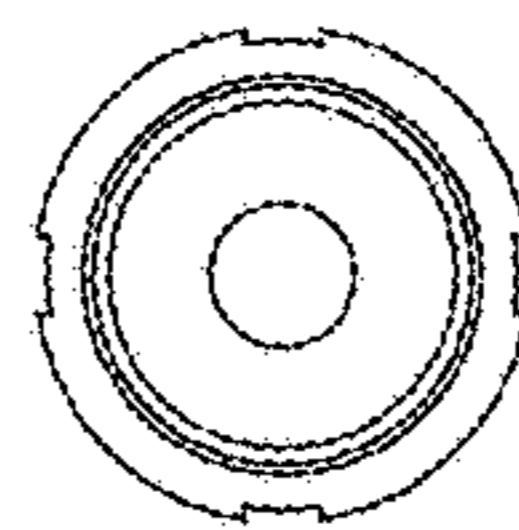


FIG. 6

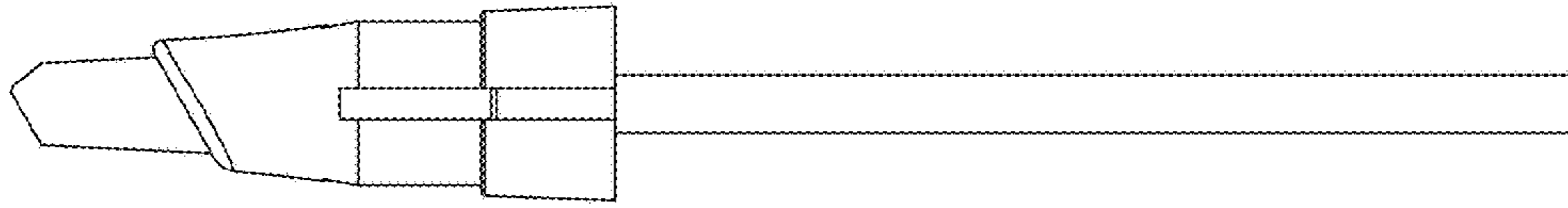


FIG. 7

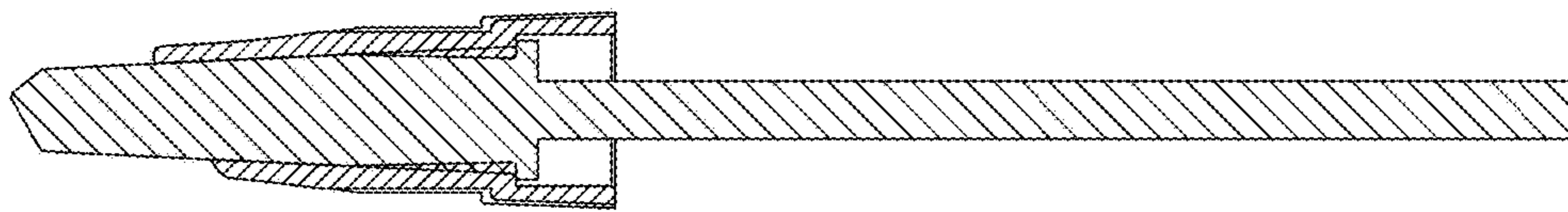


FIG. 8

