



US00D865279S

(12) **United States Design Patent**
Pino et al.

(10) **Patent No.:** **US D865,279 S**
(45) **Date of Patent:** **** Oct. 29, 2019**

- (54) **CARTRIDGE FOR ELECTRONIC CIGARETTE LIQUID**
- (71) Applicant: **SS Group Holding Limited**, Hong Kong (CN)
- (72) Inventors: **Victor Shelton Sanna Pino**, Sao Paulo (BR); **Lipei Tan**, Guangming Shenzhen (CN)
- (73) Assignee: **SS Group Holding Limited**, Hong Kong (CN)
- (**) Term: **15 Years**
- (21) Appl. No.: **29/642,827**
- (22) Filed: **Apr. 2, 2018**
- (51) **LOC (12) Cl.** **27-06**
- (52) **U.S. Cl.**
USPC **D27/172**
- (58) **Field of Classification Search**
USPC D27/172, 163–170, 101, 186–189;
D23/360; D24/110, 110.5
CPC A61M 15/06; A24F 47/00; A24F 47/02;
A24F 47/04; A24F 47/08
See application file for complete search history.

- D788,364 S * 5/2017 Chen D27/163
- D824,096 S * 7/2018 Qiu D27/167
- D828,953 S * 9/2018 Chen D27/167
- D838,899 S * 1/2019 Qiu D27/167

(Continued)

OTHER PUBLICATIONS

https://www.google.com/search?q=ziip+pod+for+juul&source=lnms&tbm=isch&sa=X&ved=0ahUKEwiwgovii_LhAhUuTt8KHfWNAc0Q_AUIDygC&biw=1239&bih=678#imgrc=Qg5b4JFSBD6NIM:&spf=1556430591451 Apr. 24, 2018.*

Primary Examiner — Susan Bennett Hattan

Assistant Examiner — Rebecca Tsehaye

(74) *Attorney, Agent, or Firm* — Gurr Brande & Spendlove, PLLC; Robert A. Gurr

(57) **CLAIM**

The ornamental design for a cartridge for electronic cigarette liquid, as shown and described.

DESCRIPTION

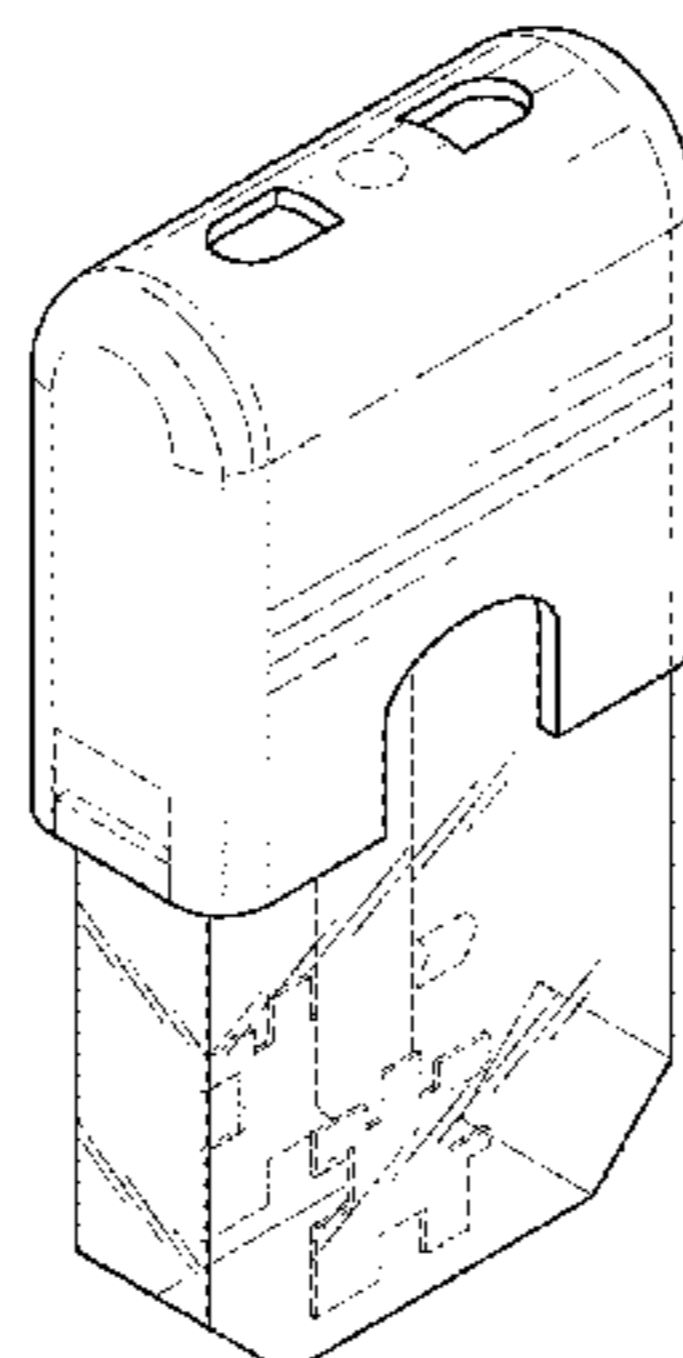
FIG. 1 is a front perspective view of the cartridge for electronic cigarette liquid;
 FIG. 2 is a front elevation view of the cartridge for electronic cigarette liquid;
 FIG. 3 is a back elevation view of the cartridge for electronic cigarette liquid;
 FIG. 4 is a left side elevation view of the cartridge for electronic cigarette liquid;
 FIG. 5 is a right side elevation view of the cartridge for electronic cigarette liquid;
 FIG. 6 is a top plan view of the cartridge for electronic cigarette liquid; and,
 FIG. 7 is a bottom plan view of the cartridge for electronic cigarette liquid.
 The broken lines shown in the drawings are for the purpose of illustrating portions of the article that form no part of the claimed design.

1 Claim, 4 Drawing Sheets

(56) **References Cited**

U.S. PATENT DOCUMENTS

- D510,777 S * 10/2005 Engel D27/189
- D583,096 S * 12/2008 Conti D27/189
- D677,000 S * 2/2013 Liu D27/189
- D708,727 S * 7/2014 Postma D23/360
- D723,736 S * 3/2015 Liu D27/189
- D723,737 S * 3/2015 Liu D27/189
- D748,325 S * 1/2016 Leidel D27/163
- D752,286 S * 3/2016 Doster D27/189
- D765,908 S * 9/2016 Zahr D27/187
- D769,520 S * 10/2016 Hua D27/167
- D770,090 S * 10/2016 Zahr D27/187
- D770,091 S * 10/2016 Zahr D27/187
- D770,678 S * 11/2016 Shin D27/163
- D772,477 S * 11/2016 Shin D27/163



(56)

References Cited

U.S. PATENT DOCUMENTS

2002/0088469 A1 * 7/2002 Rennecamp A24F 1/00
131/330

* cited by examiner

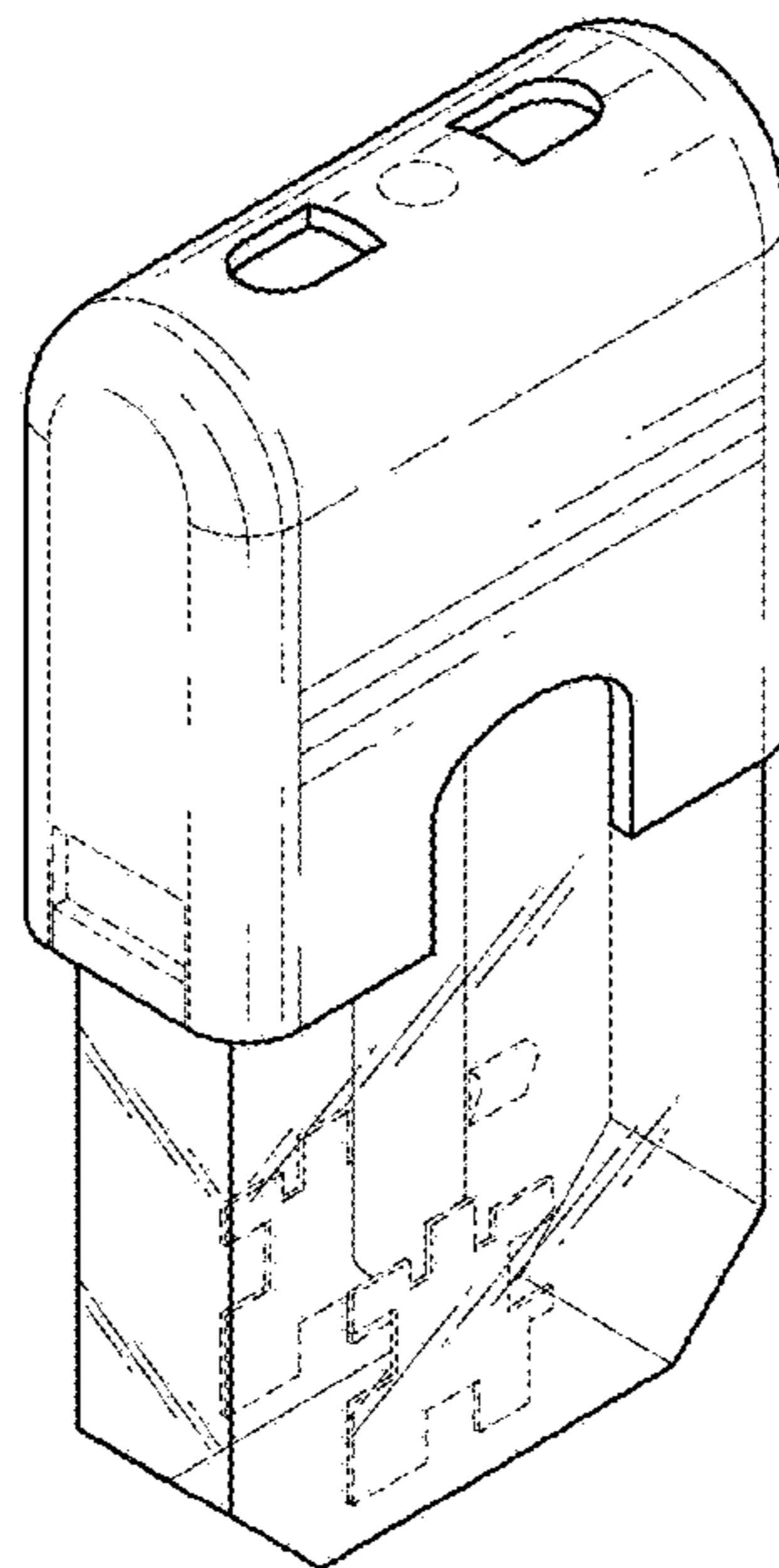


FIG. 1

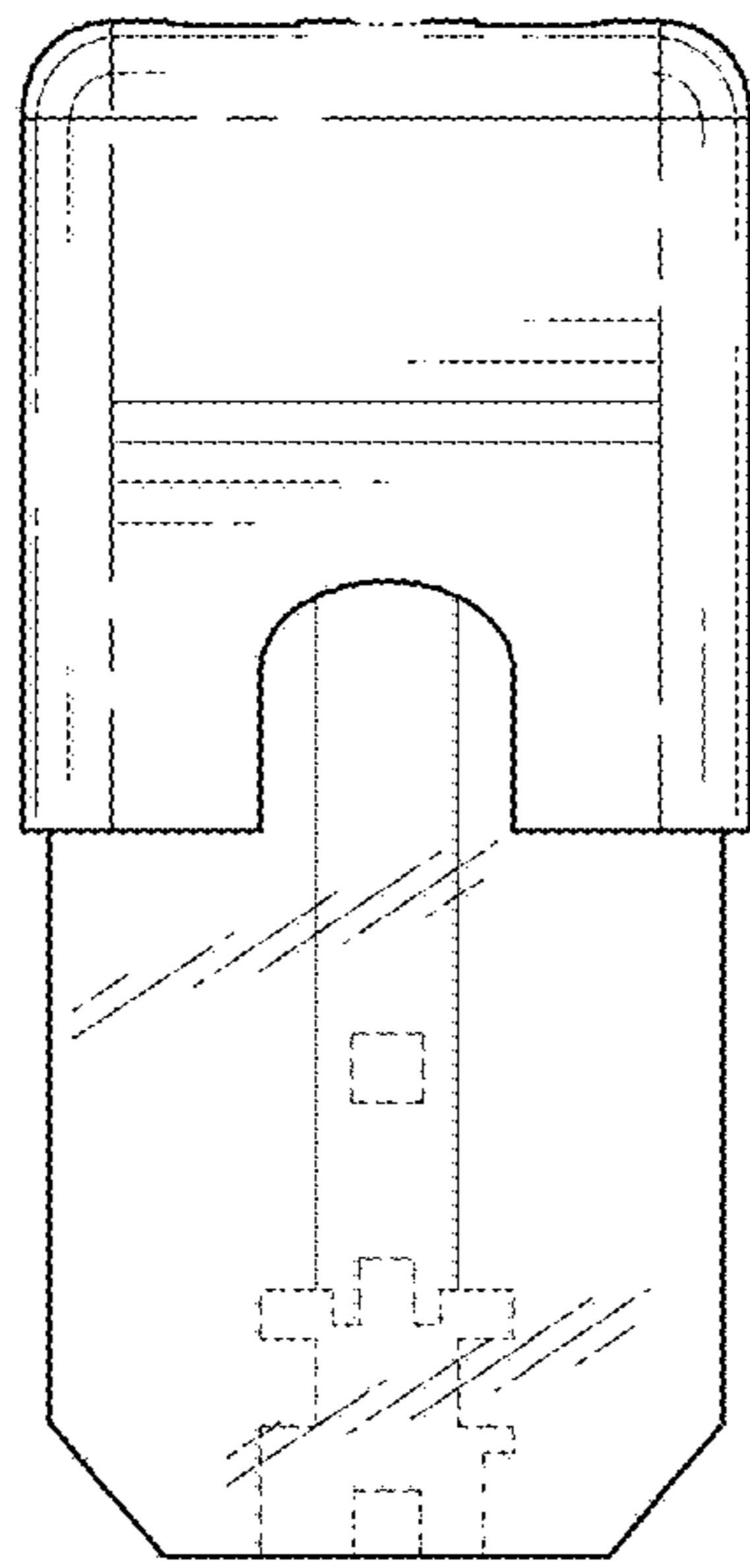


FIG. 2

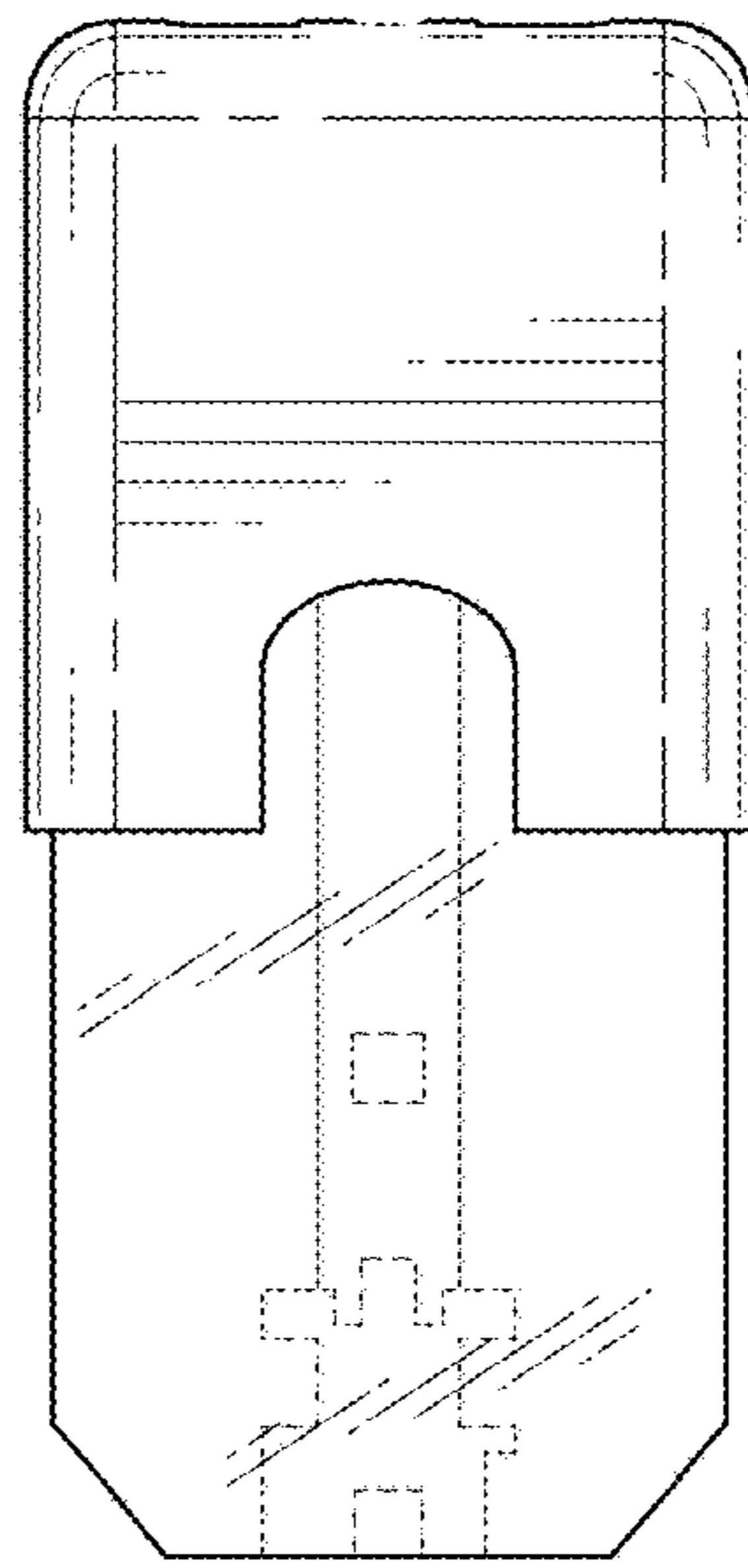


FIG. 3

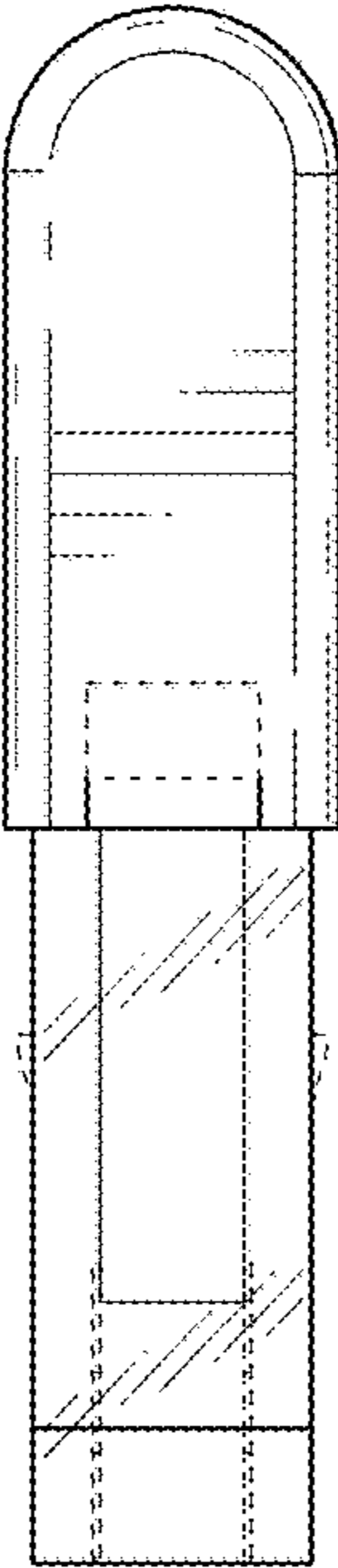


FIG. 4

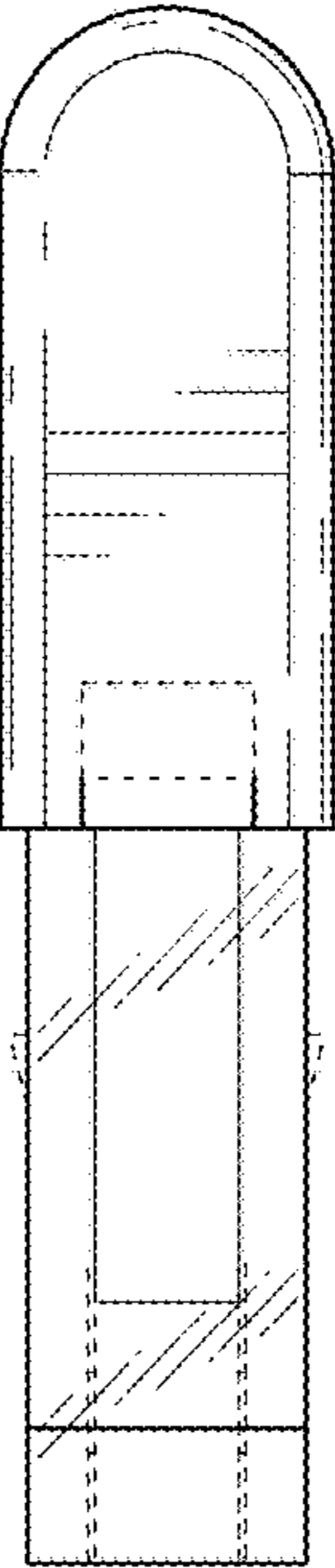


FIG. 5

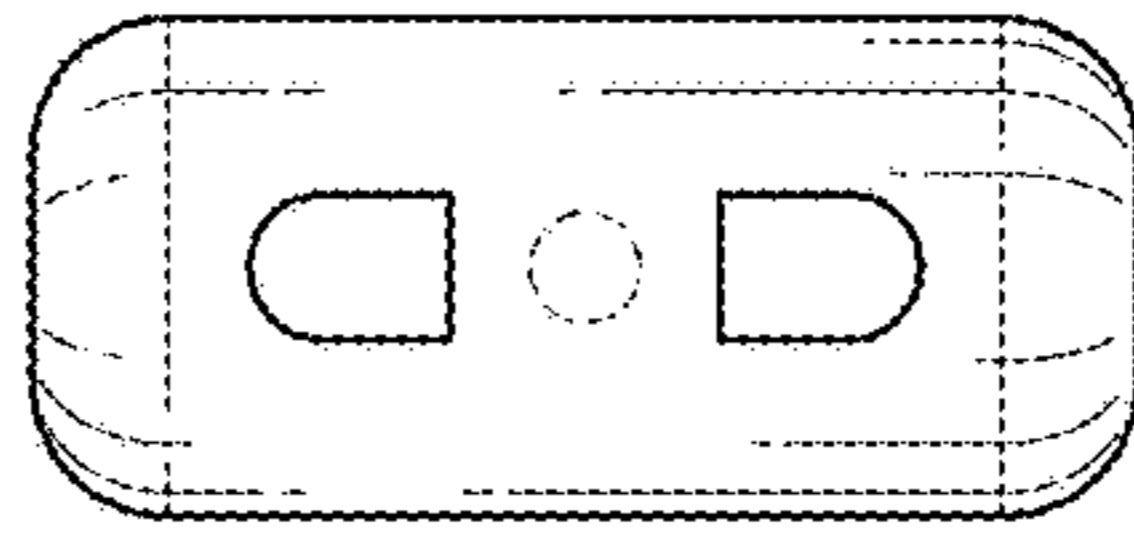


FIG. 6

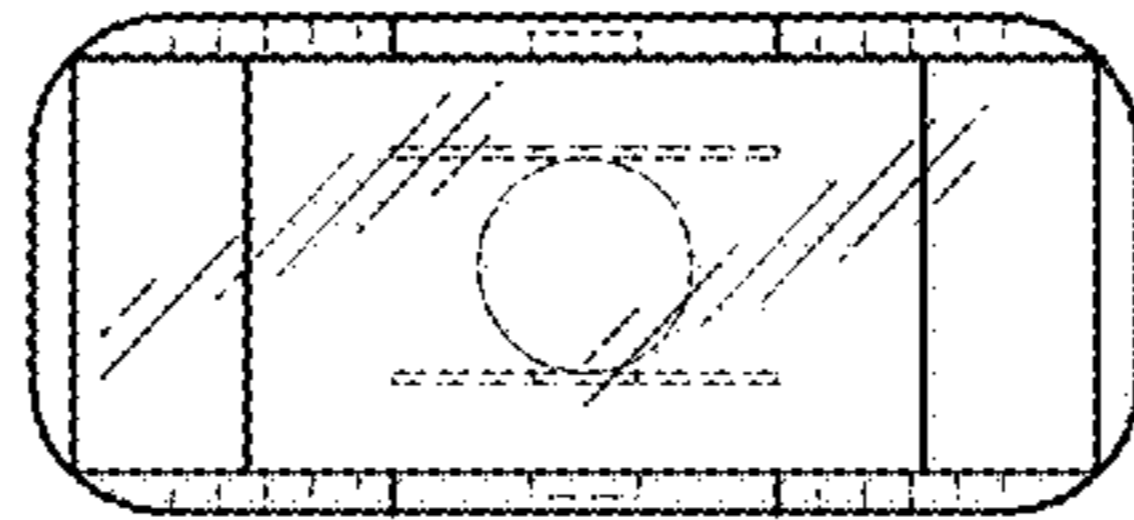


FIG. 7