



US00D865278S

(12) **United States Design Patent** (10) **Patent No.:** **US D865,278 S**
Chen et al. (45) **Date of Patent:** **** Oct. 29, 2019**

(54) **VAPE PART**
(71) Applicant: **Shenzhen Transpring Enterprise Ltd.,**
Xixiang Town (CN)
(72) Inventors: **Chuhui Chen, Xixiang Town (CN);**
Xiaobin Peng, Xixiang Town (CN)
(**) Term: **15 Years**
(21) Appl. No.: **29/635,921**
(22) Filed: **Feb. 5, 2018**
(51) **LOC (12) Cl.** **27-07**
(52) **U.S. Cl.**
USPC **D27/167**
(58) **Field of Classification Search**
USPC D27/100, 101, 162–196; D23/366;
D24/110; D19/101, 106, 115, 165, 195
CPC A24F 47/00; A24F 47/002; A24F 15/12;
A24F 1/32
See application file for complete search history.

(56) **References Cited**

U.S. PATENT DOCUMENTS

2,894,515 A * 7/1959 Wismer, Jr. A24F 9/04
131/243
4,043,348 A * 8/1977 Kanady A24F 9/02
131/243
D571,953 S * 6/2008 Rosso D27/161
D636,844 S * 4/2011 Herre D23/213
D652,571 S * 1/2012 Shenassa D27/163
D687,999 S * 8/2013 Liu D27/101
D710,488 S * 8/2014 Alima D23/363
D729,440 S * 5/2015 Liu D27/101
D731,112 S * 6/2015 Li D27/101
D740,488 S * 10/2015 Leidel D27/167
D749,261 S * 2/2016 Chen D27/162
D752,279 S * 3/2016 Liu D27/101
D752,280 S * 3/2016 Verleur D27/167
D752,281 S * 3/2016 Alima D27/167

D761,487 S * 7/2016 Han D27/162
D768,917 S * 10/2016 Salem D27/163
D769,519 S * 10/2016 Chen D27/101
D771,219 S * 11/2016 Gilbarte D22/117
D771,307 S * 11/2016 Wu D27/101
D774,247 S * 12/2016 Chen D27/101
D776,867 S * 1/2017 Rado D27/162
D777,372 S * 1/2017 Liu D27/167
D792,022 S * 7/2017 Li D27/167
D792,645 S * 7/2017 Fornarelli D27/167
D795,495 S * 8/2017 Li D27/100
D799,114 S * 10/2017 Li D27/167
D799,747 S * 10/2017 Champion D27/169
D800,381 S * 10/2017 Chen D27/167
D800,382 S * 10/2017 Mathias D27/167
D800,383 S * 10/2017 Verleur D27/167
D802,209 S * 11/2017 Kesselman D27/194
D804,718 S * 12/2017 Mathias D27/162
D806,943 S * 1/2018 Liu D27/101

(Continued)

Primary Examiner — Marissa J Cash
(74) *Attorney, Agent, or Firm* — Clement Cheng

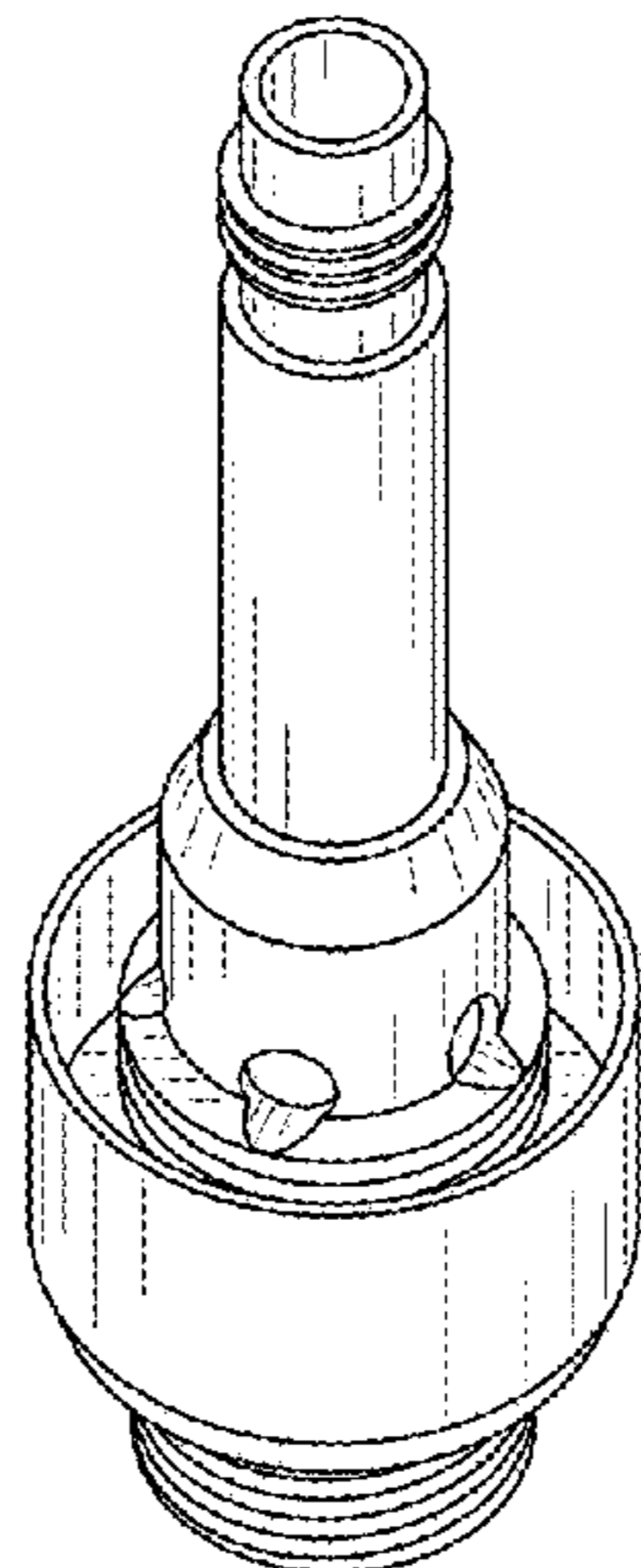
(57) **CLAIM**

The ornamental design for an vape part, as shown and described.

DESCRIPTION

FIG. 1 is a perspective view.
FIG. 2 is a front view.
FIG. 3 is a rear view.
FIG. 4 is a left side view.
FIG. 5 is a right side view.
FIG. 6 is a top view.
FIG. 7 is a bottom view; and,
FIG. 8 is a perspective view environmental subject matter.
The broken lines in the drawings shown in FIG. 8 represents unclaimed environmental subject matter that forms no part of the claim thereof.

1 Claim, 4 Drawing Sheets



(56)

References Cited

U.S. PATENT DOCUMENTS

D811,652 S *	2/2018	Liu	D27/167	2015/0257444 A1 *	9/2015	Chung	A24F 47/008
D813,448 S *	3/2018	Servutas	D27/167				131/329
D814,103 S *	3/2018	Levinson	D27/101	2015/0313288 A1 *	11/2015	Liu	A24F 47/008
D814,694 S *	4/2018	Watson	D27/194				131/329
D815,348 S *	4/2018	Coghlan	D27/194	2015/0335073 A1 *	11/2015	Li	A24F 47/008
D815,349 S *	4/2018	Watson	D27/194				131/329
D815,350 S *	4/2018	Coghlan	D27/194	2016/0000146 A1 *	1/2016	Zhu	A24F 47/008
D817,544 S *	5/2018	Chen	D27/167				392/404
D821,641 S *	6/2018	Watson	D27/194	2016/0007654 A1 *	1/2016	Zhu	A24F 47/008
D823,535 S *	7/2018	Xu	A24F 47/008				131/328
			D27/163	2016/0015082 A1 *	1/2016	Liu	A24F 47/008
D824,586 S *	7/2018	Fornarelli	A24F 47/008				131/329
			D27/194	2016/0044962 A1 *	2/2016	Thorens	A24F 47/008
D825,840 S *	8/2018	Xu	A24F 47/008				392/395
			D27/163	2016/0106153 A1 *	4/2016	Zhu	A24F 47/008
D825,841 S *	8/2018	Xu	A24F 47/008				131/329
			D27/163	2016/0135505 A1 *	5/2016	Li	H05B 3/44
D825,842 S *	8/2018	Xu	A24F 47/008				131/329
			D27/163	2016/0192707 A1 *	7/2016	Li	H05B 3/00
D825,844 S *	8/2018	Verleur	A24F 47/008				131/329
			D27/167	2016/0206006 A1 *	7/2016	Li	H05B 1/0202
D826,470 S *	8/2018	Huang	A24F 47/008				A24F 47/008
			D27/167	2016/0219934 A1 *	8/2016	Li	A24F 47/008
D826,471 S *	8/2018	Wang	A24F 47/008				A24F 47/008
			D27/167	2016/0262452 A1 *	9/2016	Zhu	A24F 47/008
D828,623 S *	9/2018	Fornarelli	H05B 3/06				H05B 3/0014
			D27/194	2016/0295920 A1 *	10/2016	Liu	A24F 47/008
D832,498 S *	10/2018	Chen	A24F 47/008				A24F 47/008
			D27/101	2016/0309783 A1 *	10/2016	Hopps	A24F 47/008
D836,243 S *	12/2018	Liu	A24F 47/008				A24F 47/008
			D27/167	2016/0338413 A1 *	11/2016	Li	A24F 47/008
D848,673 S *	5/2019	Xu	A24F 9/04				A24F 47/008
			D27/183	2016/0360790 A1 *	12/2016	Calfee	A24F 47/008
D849,317 S *	5/2019	Qiu	A24F 9/02				B67D 99/00
			D27/162	2017/0006923 A1 *	1/2017	Li	A24F 47/008
2012/0167906 A1 *	7/2012	Gysland	A24F 47/008				A24F 47/008
			131/328	2017/0013881 A1 *	1/2017	Liu	A24F 47/008
2014/0130796 A1 *	5/2014	Liu	A24F 47/008				A24F 47/008
			128/202.21	2017/0049153 A1 *	2/2017	Guo	A24F 47/008
2014/0166030 A1 *	6/2014	Li	A24F 47/008				A24F 47/008
			131/329	2017/0049156 A1 *	2/2017	Wang	A24F 47/008
2015/0000684 A1 *	1/2015	Wu	A24F 47/008				A24F 47/002
			131/329	2017/0064994 A1 *	3/2017	Xu	A24F 47/002
2015/0013700 A1 *	1/2015	Liu	A24F 47/008				Li
			131/329	2017/0065001 A1 *	3/2017	Li	F16K 15/14
2015/0128973 A1 *	5/2015	Li	A24F 47/008				A24F 47/008
			131/329	2017/0071258 A1 *	3/2017	Li	A24F 47/008
2015/0128977 A1 *	5/2015	Li	H05B 3/06				A24F 47/008
			131/329	2017/0079327 A1 *	3/2017	Wu	A24F 47/008
2015/0144147 A1 *	5/2015	Li	A24F 47/008				Fornarelli
			131/329	2017/0105451 A1 *	4/2017	Fornarelli	A24F 47/008
2015/0150306 A1 *	6/2015	Chen	A24F 47/008				Li
			131/329	2017/0105453 A1 *	4/2017	Li	A24F 47/008
2015/0189919 A1 *	7/2015	Liu	A24F 47/008				Wu
			131/329	2017/0113007 A1 *	4/2017	Wu	A61M 15/0021
2015/0208724 A1 *	7/2015	Wu	A24F 47/008				Li
			131/329	2017/0196272 A1 *	7/2017	Li	A24F 47/002
2015/0216234 A1 *	8/2015	Chung	A24F 47/008				Li
			131/329	2017/0208869 A1 *	7/2017	Li	F16L 55/115
2015/0237914 A1 *	8/2015	Han	A24F 47/008				Li
			131/329	2017/0215483 A1 *	8/2017	Li	A24F 47/008
			131/329	2017/0280770 A1 *	10/2017	Wang	A24F 47/008
			131/329	2017/0311384 A1 *	10/2017	Wu	A61M 11/042
			131/329	2017/0325289 A1 *	11/2017	Liu	A24F 47/00
			131/329	2017/0354182 A1 *	12/2017	Liu	A24F 47/008
			131/329	2018/0014572 A1 *	1/2018	Zhu	A24F 47/008
			131/329	2018/0027874 A1 *	2/2018	Zhu	A24F 47/008
			131/329	2018/0035718 A1 *	2/2018	Liu	A24F 47/00
			131/329	2018/0064172 A1 *	3/2018	Qiu	A24F 47/008
			131/329	2018/0071997 A1 *	3/2018	Romagnoli	B29C 65/08
			131/329	2018/0132533 A1 *	5/2018	Chen	A24F 47/008
			131/329	2018/0146716 A1 *	5/2018	Chen	A24F 47/008
			131/329	2018/0153222 A1 *	6/2018	Shen	B67D 7/36
			131/329	2018/0168236 A1 *	6/2018	Qiu	A24F 47/008
			131/329	2018/0213845 A1 *	8/2018	Qiu	H05B 3/03
			131/329	2018/0303166 A1 *	10/2018	Qiu	A24F 47/00
			131/329	2018/0310628 A1 *	11/2018	Qiu	A24F 13/02
			131/329	2018/0318530 A1 *	11/2018	Liu	A61M 11/001
			131/329	2018/0338528 A1 *	11/2018	Zhu	A24F 47/008
			131/329	2018/0360125 A1 *	12/2018	James	A24F 47/008
			131/329	2019/0000138 A1 *	1/2019	Han	A24F 1/28
			131/329	2019/0021398 A1 *	1/2019	Qiu	A24F 47/008
			131/329	2019/0053544 A1 *	2/2019	Yamada	A24F 47/008
			131/329	2019/0098932 A1 *	4/2019	Fan	A24F 47/008
			131/329	2019/0124983 A1 *	5/2019	Rogers	A61L 9/03

* cited by examiner

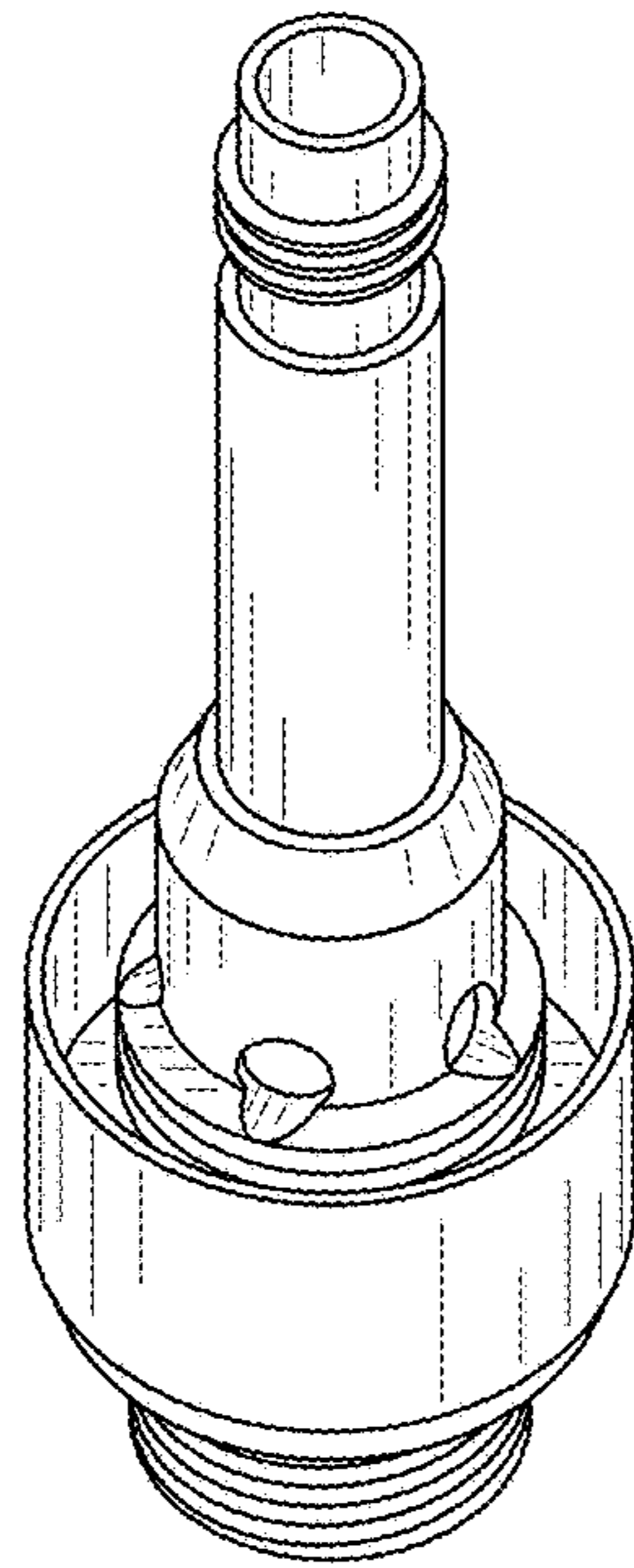


FIG. 1

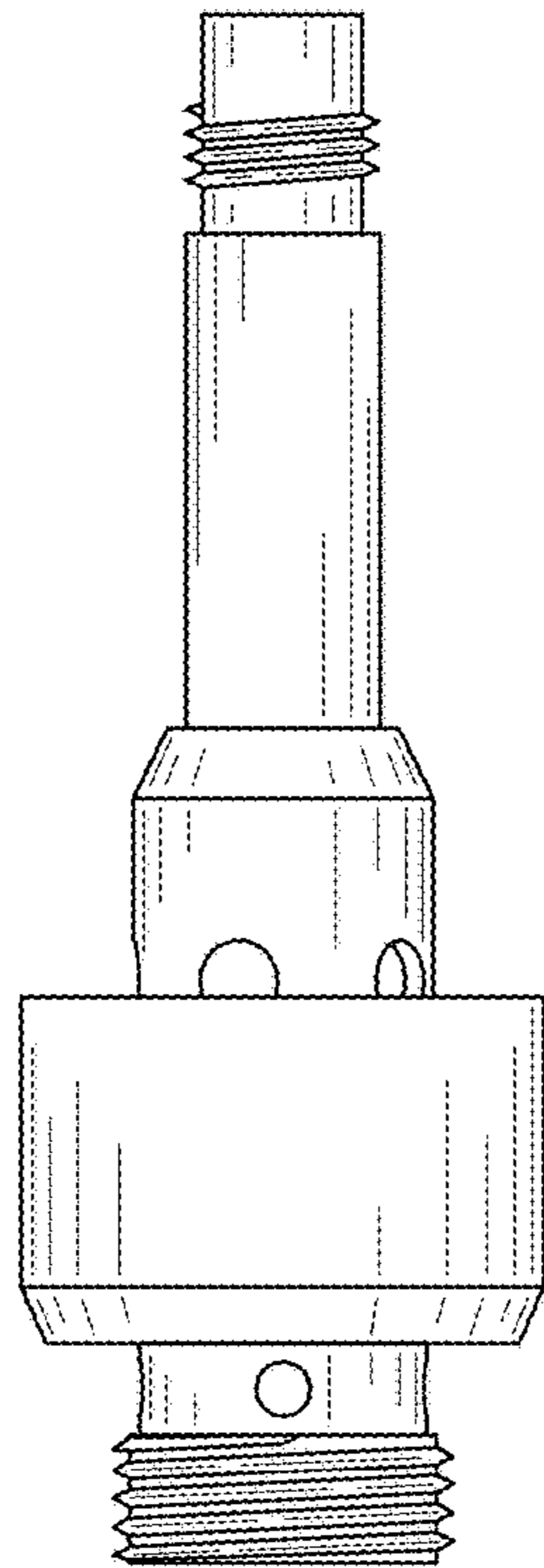


FIG. 2

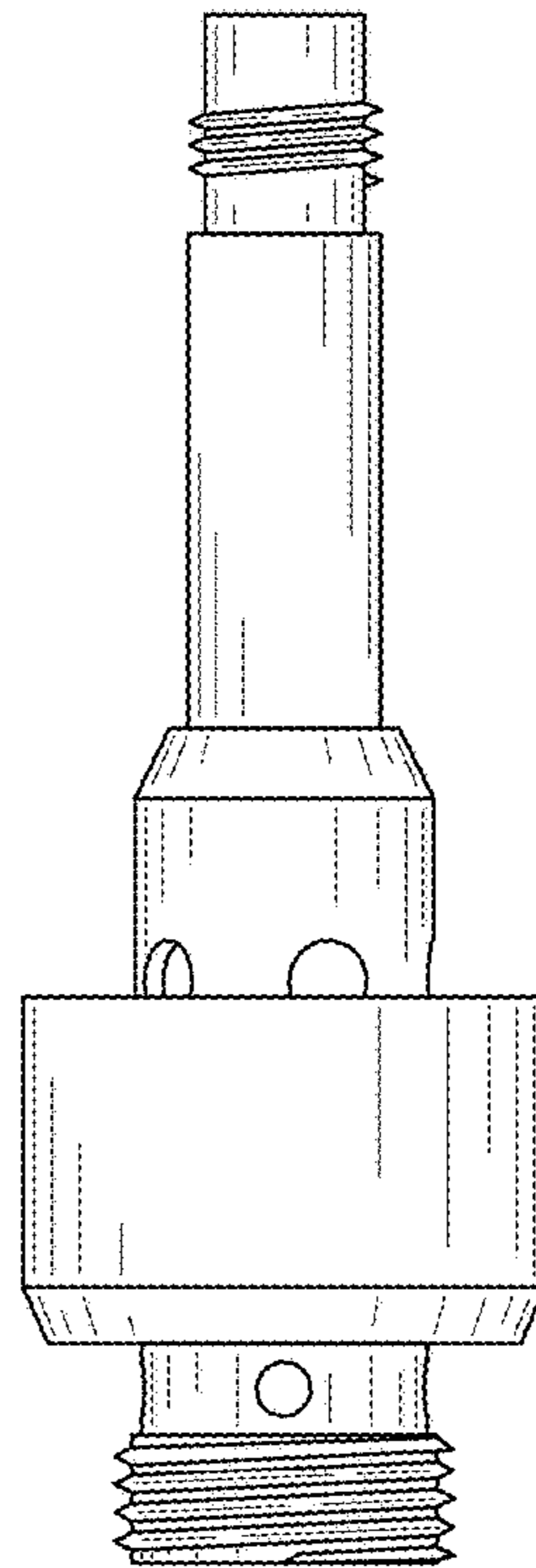


FIG. 3

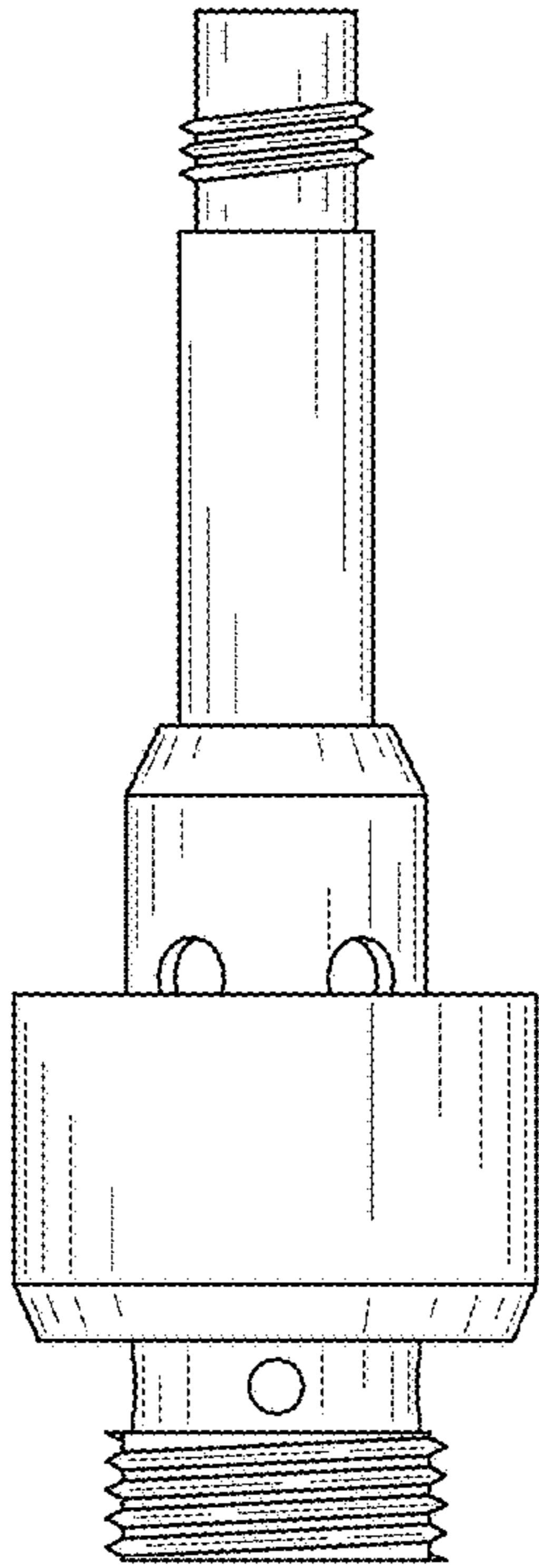


FIG. 4

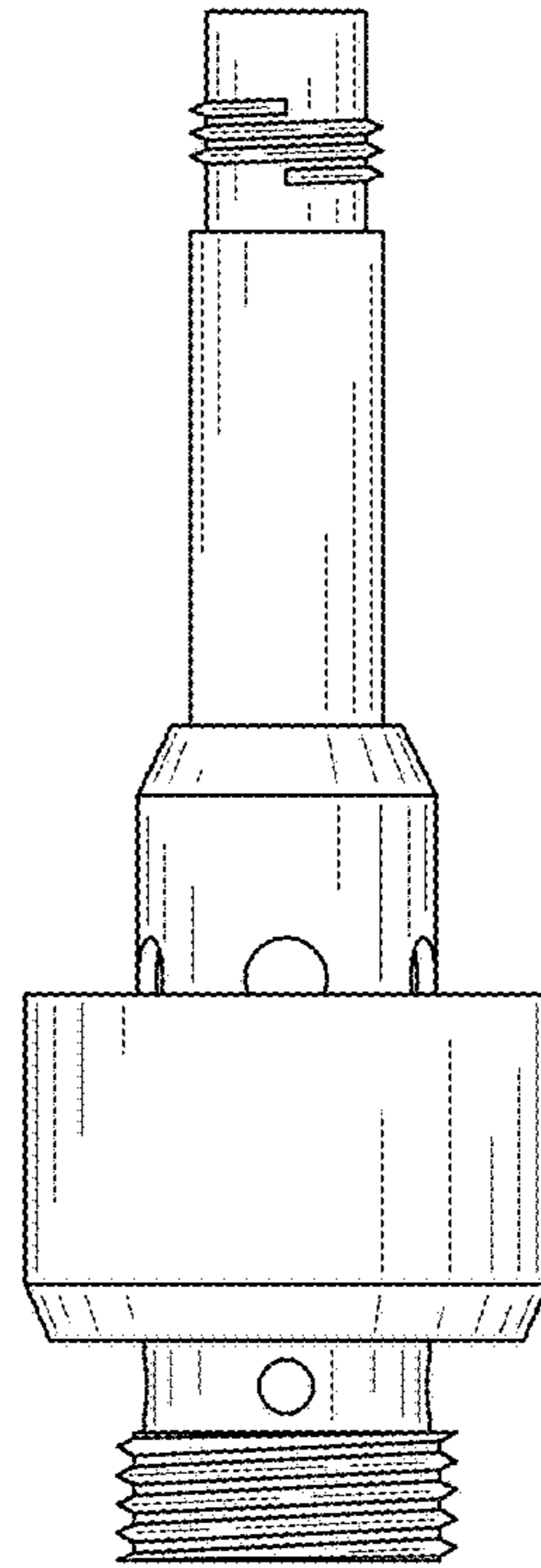


FIG. 5

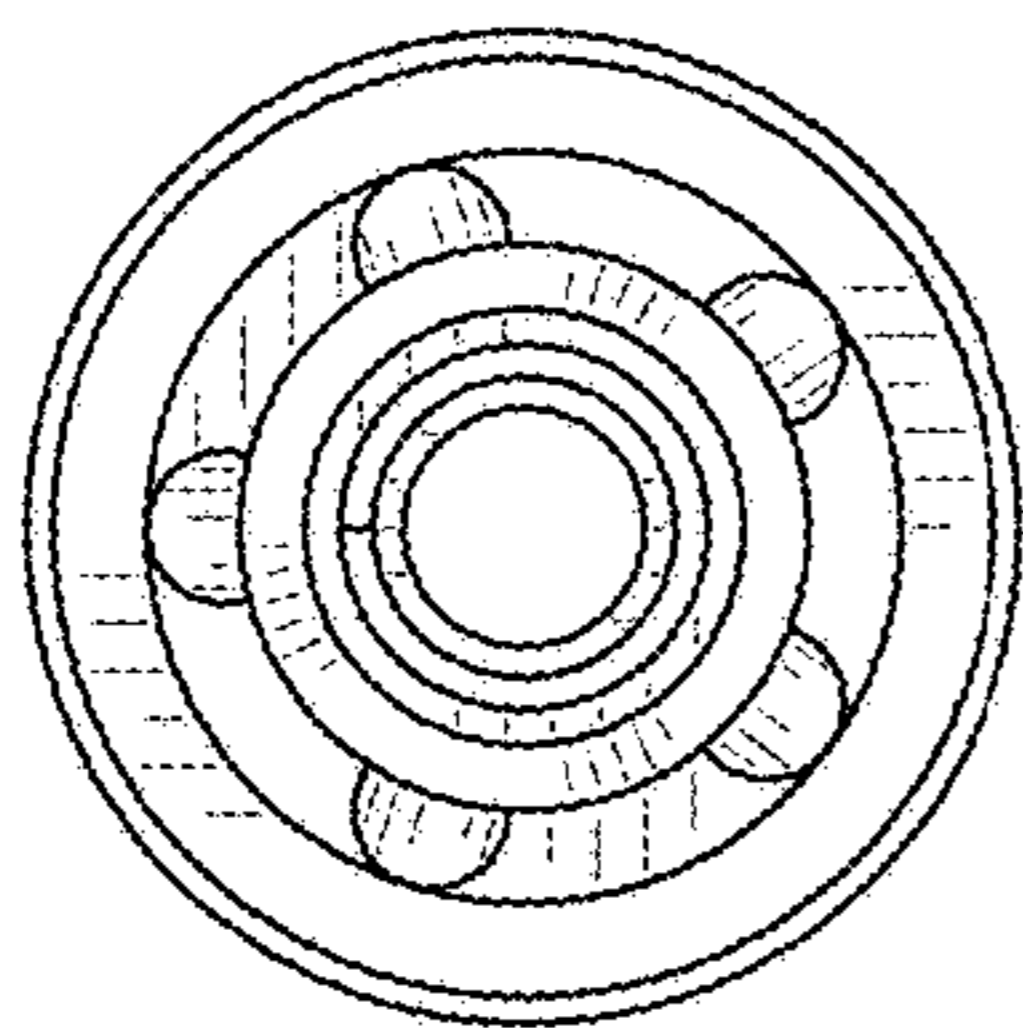


FIG. 6

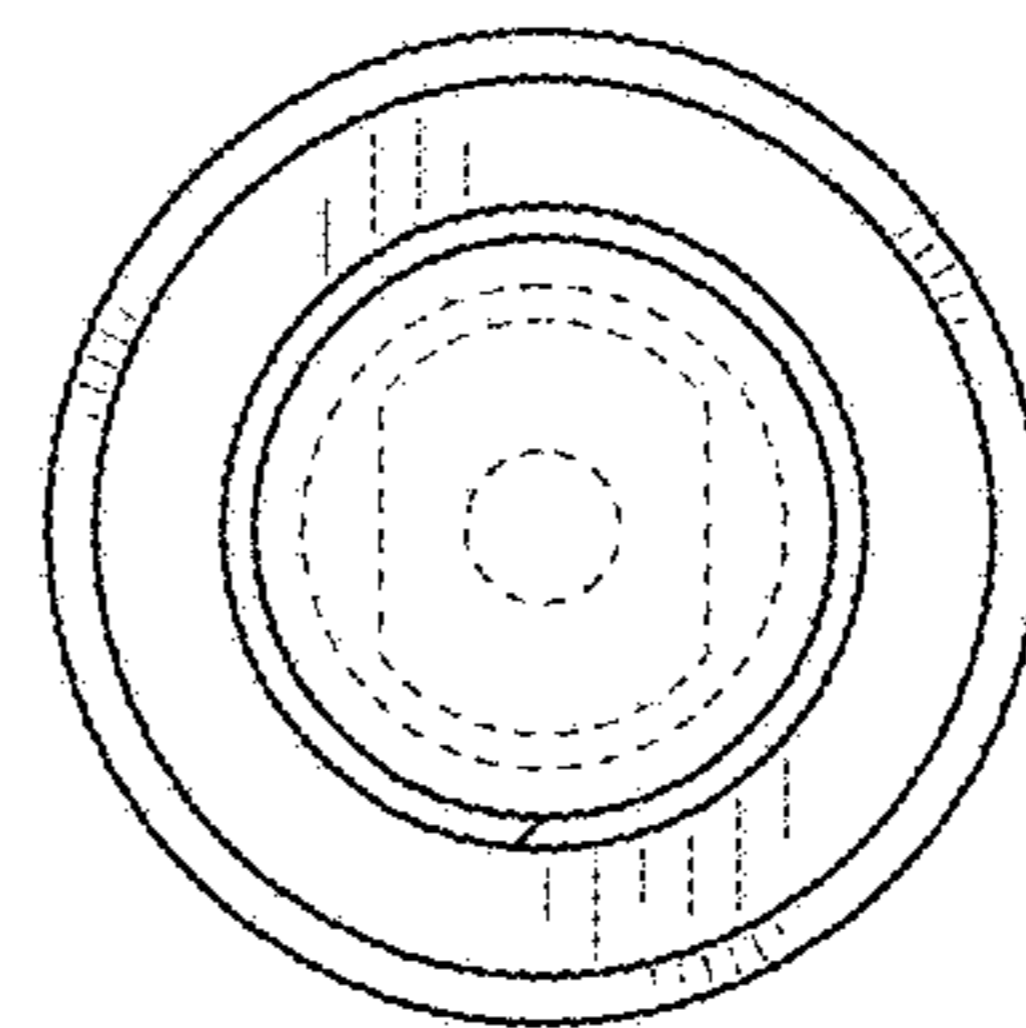


FIG. 7

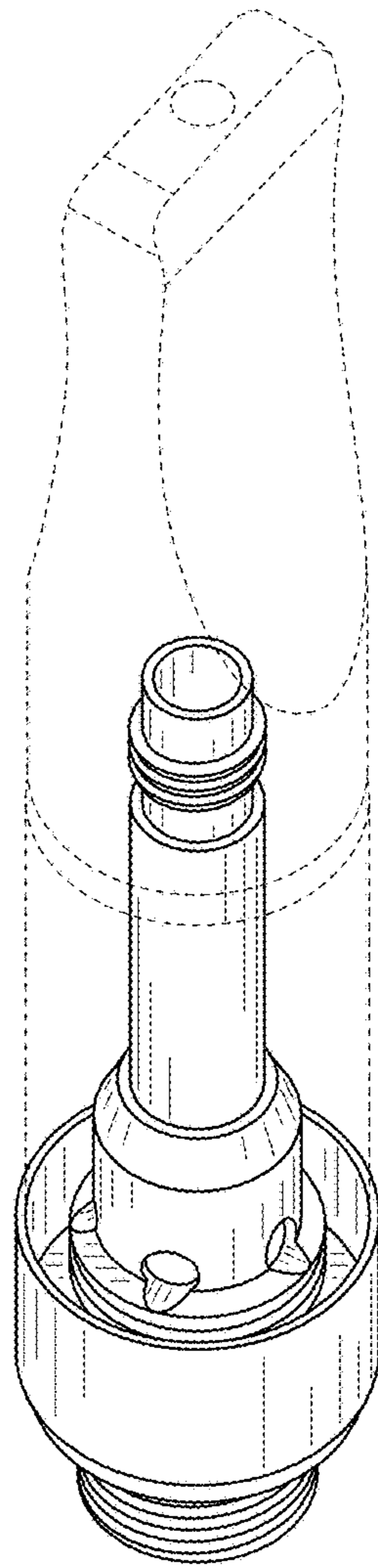


FIG. 8