



US00D865277S

(12) **United States Design Patent** (10) **Patent No.:** **US D865,277 S**
Hoch et al. (45) **Date of Patent:** **** Oct. 29, 2019**

(54) **SMOKING APPARATUS**

FOREIGN PATENT DOCUMENTS

(71) Applicant: **Eyce LLC**, Colorado Springs, CO (US)

CN 200979176 Y 11/2007
CN 300807820 D 7/2008

(72) Inventors: **Charles V. Hoch**, Colorado Springs, CO (US); **Bruce A. Hoch**, Colorado Springs, CO (US)

(Continued)

(73) Assignee: **Eyce LLC**, Colorado Springs, CO (US)

Eyce Shorty. By eyce. dated Apr. 4, 2019. found online [Aug. 5, 2019] <https://eycemolds.com/collections/shop-accessories/products/eyce-shorty#shopify-product-reviews>.*

(**) Term: **15 Years**

(Continued)

(21) Appl. No.: **29/639,875**

(22) Filed: **Mar. 9, 2018**

Primary Examiner — Marissa J Cash

(51) **LOC (12) Cl.** **27-06**

(74) *Attorney, Agent, or Firm* — Dorsey & Whitney LLP

(52) **U.S. Cl.**

(57) **CLAIM**

USPC **D27/163**

We claim the ornamental design for a smoking apparatus, as shown and described.

(58) **Field of Classification Search**

DESCRIPTION

USPC D27/100, 101, 102–105, 114, 137, 139, D27/141–144, 152, 153, 154, 155, 160, D27/161, 162–196, 136, 128; D23/366; D7/416, 509; D24/110; D8/371, 380, D8/499; D32/25; D15/199; D9/626
CPC A24F 47/002; A24F 47/00; A24F 3/02; A24C 5/44; A24C 5/425

See application file for complete search history.

FIG. 1 is an isometric view of a smoking apparatus.
FIG. 2 is a front elevation view of the smoking apparatus of FIG. 1.

(56) **References Cited**

FIG. 3 is a rear elevation view of the smoking apparatus of FIG. 1.

U.S. PATENT DOCUMENTS

1,617,113 A 2/1927 Hirschl
D74,334 S * 1/1928 Sorbello D27/163
D100,535 S 7/1936 Ackerman
D102,406 S * 12/1936 Atlizer D27/163
D102,637 S * 1/1937 Millsap 131/226
D111,276 S * 9/1938 Cippico 131/187
2,192,448 A 3/1940 Lingo
2,385,312 A 9/1945 Swift
D159,295 S * 7/1950 Park D27/165
D170,257 S * 8/1953 Francken 131/187
D172,008 S * 4/1954 David D27/162

FIG. 4 is a right side elevation view of the smoking apparatus of FIG. 1.

FIG. 5 is a left side elevation view of the smoking apparatus of FIG. 1.

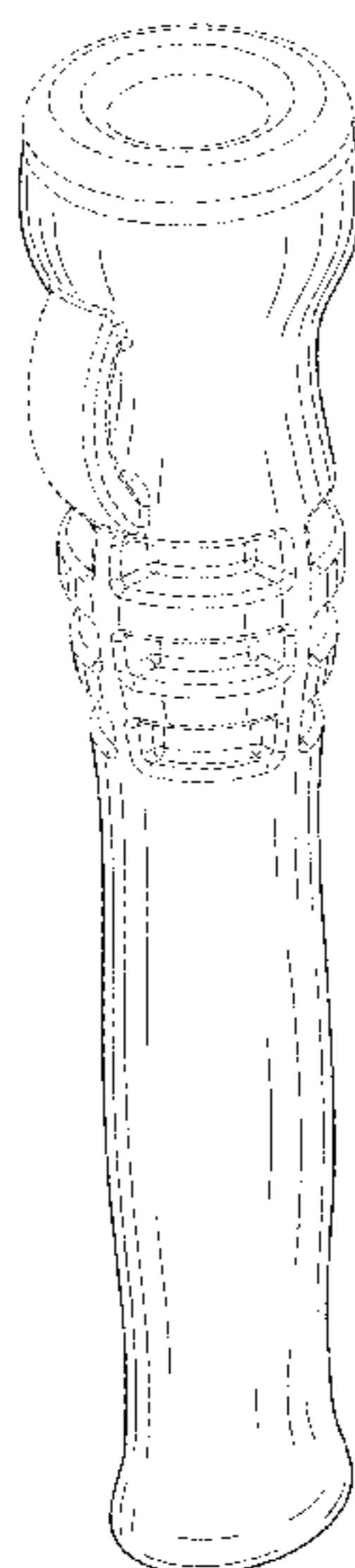
FIG. 6 is a top plan view of the smoking apparatus of FIG. 1; and,

FIG. 7 is a bottom plan view of the smoking apparatus of FIG. 1.

The dash-dot broken lines in the drawings immediately adjacent claimed surfaces represent boundaries of the claimed design and form no part of the claim, and all other broken lines depict portions of the smoking apparatus that form no part of the claimed design.

(Continued)

1 Claim, 4 Drawing Sheets



(56)

References Cited

U.S. PATENT DOCUMENTS

D177,602 S * 5/1956 Wang 131/191
 2,884,931 A 5/1959 Fred
 D201,104 S 5/1965 Du Pree
 D203,430 S * 1/1966 Chernock D27/164
 D219,566 S * 12/1970 Fish D27/169
 D224,760 S * 9/1972 Chernack D27/170
 D229,726 S * 12/1973 Finn D27/163
 3,792,705 A 2/1974 Frederick
 D254,510 S 3/1980 Shaak
 D304,771 S 11/1989 Katayama
 D349,065 S 7/1994 West
 D413,002 S * 8/1999 Melograno D27/167
 D443,103 S 5/2001 Neason
 D485,639 S * 1/2004 Stronski D27/170
 6,745,777 B2 6/2004 Liu
 D532,892 S * 11/2006 Koon D23/366
 D543,312 S * 5/2007 Guan D27/170
 D547,125 S 7/2007 Wasserman et al.
 D561,388 S * 2/2008 Kassir D27/162
 D582,094 S * 12/2008 Lee D27/163
 D617,939 S * 6/2010 Mansour D27/169
 D617,940 S * 6/2010 Mansour D27/169
 D618,389 S 6/2010 Masri
 D625,851 S 10/2010 Furner et al.
 D634,065 S 3/2011 Borushek et al.
 D649,700 S 11/2011 Mehio
 D684,313 S 6/2013 Wu
 D692,548 S * 10/2013 Wirz D23/366
 D692,550 S * 10/2013 Wirz D23/366
 D710,984 S * 8/2014 Hsiao D23/366
 D711,522 S * 8/2014 Hsiao D23/366
 D711,523 S * 8/2014 Hsiao D23/366
 D711,524 S * 8/2014 Hsiao D23/366
 D717,994 S * 11/2014 Alima D27/101
 8,955,521 B1 * 2/2015 Hanson A24F 1/00
 131/191
 D729,976 S * 5/2015 Mehio D27/162
 D733,280 S * 6/2015 Bourne D23/366
 D739,601 S * 9/2015 Bahbah D27/170
 D741,003 S * 10/2015 Von Schoultz D27/194
 D743,098 S * 11/2015 Hehir D27/163
 D745,738 S 12/2015 Abdelmaseh
 D745,994 S 12/2015 Hanna
 D751,755 S * 3/2016 Van Riper D12/223
 D754,918 S 4/2016 Jergenson
 D758,003 S * 5/2016 Merwin D27/163
 D758,648 S 6/2016 Wu
 D762,004 S 7/2016 Kesselman
 D783,209 S * 4/2017 Morris D30/121
 D787,715 S 5/2017 Nechita et al.
 D790,123 S * 6/2017 Beer D27/101
 D790,124 S * 6/2017 Beer D27/101
 D790,125 S * 6/2017 Beer D27/101
 D790,767 S 6/2017 Rush et al.
 D802,727 S * 11/2017 Cabrera D23/366
 9,848,637 B2 12/2017 Haddad
 D807,578 S * 1/2018 Barkowski D27/170
 D809,193 S * 1/2018 McIntyre D27/169
 D818,639 S * 5/2018 Kayvon D27/170
 D820,516 S * 6/2018 Swanson D27/196
 D825,101 S * 8/2018 Hoch D27/162
 D825,839 S * 8/2018 Rhoades D27/162
 D832,502 S * 10/2018 Durand D27/162
 D838,409 S * 1/2019 Reimann D27/162
 2003/0146360 A1 8/2003 Steinmetz et al.
 2009/0258117 A1 10/2009 Lee
 2012/0205331 A1 8/2012 Stejskal et al.
 2014/0182604 A1 * 7/2014 Hutton A24C 5/42
 131/170
 2016/0249678 A1 9/2016 Katz
 2017/0099874 A1 4/2017 Reimann
 2017/0105447 A1 4/2017 Gay

FOREIGN PATENT DOCUMENTS

CN 301146305D 2/2010
 CN 203646495 U 6/2014
 CN 303322979 S 8/2015
 CN 303350916 S 8/2015
 CN 303865031 S 9/2016
 CN 303891842 S 10/2016
 CN 206294887 U 7/2017
 CN 304355617 S 11/2017
 CN 304790175 S 8/2018
 CN 304840656 S 10/2018
 CN 304947931 S 12/2018
 CN 304982670 S 1/2019

OTHER PUBLICATIONS

Grav Labs Aqua Green Glass Hand Pipe; Dec. 19, 2017; <https://www.funkypiece.com/Grav-Labs-Aqua-Green-Spoon-Pipe-p/1208.htm>; 8 pages.
 BB8 Marble Blue Spoon Pipe | LeoGlassworks on ArtFire; Dec. 19, 2017; https://www.artfire.com/ext/shop/product_view/LeoGlassworks/12723637/bb.8_marble_b...; 3 pages.
 2018 2015 New Spoon Pipe Glass Handy Pipe Glass Bubblers Hammer Glass Pipes for S...; Dec. 19, 2017; <https://www.dhgate.com/product/2015-new-spoon-pipe-glass-handy-pipe-glass/24033689...>; 3 pages.
 2018 2016 New Arrival Smoking Pipe Glass Spoon Pipes for Smoking Pipes Bongs Tob...; Dec. 19, 2017; <https://www.dhgate.com/product/2016-new-arrival-smoking-pipe-glass-spoon/373506482...>; 3 pages.
 5" Black & White Dichro Heavy Spoon Pipe; Dec. 19, 2017; <https://ecom.wix.com/storefront/product/5-black-white-dichro-heavy-glass-spoon-pipe?ca...>; 1 page.
 Best Spoon Pipes Reviewed | Top 13 for Sale Online College of Cannabis | Smoking Acc...; Dec. 19, 2017; <https://collegeofcannabis.com/reviews/best-spoon-pipes-reviewed/>; 4 pages.
 Big Spoon Pipe Octopus Starfish / Bongin.com; Dec. 19, 2017; <https://www.bongin.com/big-spoon-pipe-octopus-starfish>; 3 pages.
 Black Pokemon Go Mystic 4" inch Spoon Pipe Online for Sale; Dec. 19, 2017; <http://chicpipe.com/black-pokemon-go-mystic-4inch-spoon-pipe-online-for-sale-p529711...>; 3 pages.
 Best 2016 Glass Spoon Pipe Mini Glass Smoking Pipe 2.75 Inch for Smoking Under \$2...; Dec. 19, 2017; <https://www.dhgate.com/product/cheech-water-pipes-glass-honey-cup-mini-glass/216667...>; 4 pages.
 China Thick Heady Tobacco Wholesale Smoking Glass Pipe Hookah Hand Blown Spoon...; Dec. 19, 2017; <http://hfglass.en.made-in-china.com/product/GvIJNacCZFkf/China-Thick-Heady-Tobacc...>; 4 pages.
 Classic Green Spoon Marijuana Pipe—The Weed Blog; Dec. 19, 2017; <https://archive.theweedblog.com/classic-green-spoon-marijuana-pipe/>; 3 pages.
 Color Changing spoon pipe Paris Hilton Glass Pipes by SmokeTower.ca; Dec. 19, 2017; <https://www.smoketower.ca/store/color-changing-spoon-pipe-paris-hilton>; 10 pages.
 Color Explosion Big Spoon Pipe; Dec. 19, 2017; <https://www.waterbongs-glass-pipes.com/color-explosion-big-spoon-pipe/d-37046/>; 6 pages.
 Best Colorful Glass Spoon Pipe Hookahs Long Glass Smoking Water Pipes Heavy Helix...; Dec. 19, 2017; <https://www.dhgate.com/product/colorful-glass-spoon-pipe-hookahs-long-glass/3856083...>; 4 pages.
 Dichroic Spoon Glass Pipes HP7110—GogoPipes; Dec. 19, 2017; http://www.gogopipes.com/dichro_spoon_color_changing_glass_pipes.html; 6 pages.
 Glass Hand pipes & Bubblers—Shenzhen Bontek Technology Co., Ltd.—p. 1; Dec. 19, 2017; <http://szbontek.en.made-in-china.com/product-group/doUQizgBnYRO/Glass-Hand-pipes...>; 5 pages.
 Eyce Silicone Spoon Pipe; Dec. 19, 2017; <https://smokea.com/products/eyce-silicone-spoon-pipe?variant=35536508865>; 8 pages.

(56)

References Cited

OTHER PUBLICATIONS

Eyce Silicone Spoon Pipes—Assorted—10pc Display—AFG Distribution; Dec. 19, 2017; <http://afgdistribution.com/index.php/eyce-silicone-spoon-pipe-assorted-10pc-display.html>; 1 page.

HP7157 Swirl Spoon Pipe—Glass Pipes; Dec. 19, 2017; http://www.gogowholesale.com/Glass_Pipes-Swirl_Spoon_Pipes.html; 2 pages.

Glass spoon pipe | Etsy; Dec. 19, 2017; https://www.etsy.com/market/glass_spoon_pipe; 69 pages.

Glasscity Clear Glass Spoon Pipe with Cane & Swirl | 3 Inch | Grasscity; Dec. 19, 2017; https://www.grasscity.com/us_en/glasscity-clear-glass-spoon-pipe-with-cane-swirl-3-inch . . . ; 6 pages.

Glassheads Rainbow Ripper Spoon Pipe with Marble Head | Grasscity; Dec. 19, 2017; https://www.grasscity.com/us_en/glassheads-rainbow-ripper-spoon-pipe-with-marble-head . . . ; 6 pages.

Main Website—Glass Pipes; Dec. 19, 2017; <https://angiesboutiques.com/pipes/glass-pipes.html>; 17 pages.

Glass Spoon Pipe—Green Glass with Switchbacks on Bowl | Grasscity; Dec. 19, 2017; https://www.grasscity.com/us_en/glass-spoon-pipe-green-glass-with-switchbacks-on-bowl . . . ; 6 pages.

Glass Spoon Pipe Green Honeycomb with Handle; Dec. 19, 2017; <http://www.cheappipesbongs.com/Glass-Spoon-Pipe-Green-Honeycomb-with-Handle-p3> . . . ; 7 pages.

Glass Spoon Pipe—Heavy Gold Fume with Small Heart Review | MA Marijuana News a . . . ; Dec. 19, 2017; <https://mamarijuana.com/926/bongs/glass-spoon-pipe-heavy-gold-fume-small-heart-revie> . . . ; 2 pages.

Glass Spoon Pipe with Roll Stopper and Carb Hole—Shaded Co; Dec. 19, 2017; <https://shadedco.com/product/glass-spoon-pipe-roll-stopper-carb-hole/>; 4 pages.

Glass Spoon Pipes at | Badass Glass; Dec. 19, 2017; <https://www.badassglass.com/glass-spoon-pipes.html>; 16 pages.

Glass Spoon Pipe Sandblasted spoon smoking pipe made in USA; Dec. 19, 2017; <https://www.etsy.com/listing/165903284/glass-spoon-pipe-sandblasted-spoon>; 3 pages.

Glass Spoon Pipes—Perfect Smoking Companion | EveryoneDoesIT US—Everyone . . . ; Dec. 19, 2017; <https://www.everyonedoesit.com/collections/glass-spoons-pipes>; 19 pages.

Grav Labs Clear Blue Glass Hand Pipe; Dec. 19, 2017; <https://www.funkypiece.com/Grav-Labs-Clear-Blue-Glass-Spoon-Pipe-1217.htm>; 8 pages.

Grav Labs Heady Glass Pipes with Two Feet Spoon Pipes for Tobacco; Dec. 19, 2017; <http://www.cheappipesbongs.com/Grav-Labs-Two-Foot-Spoon-Pipes-for-Tobacco-b3467> . . . ; 10 pages.

G-Spot Glass Spoon Pipe Red Frit with Blue Stripe | Grasscity; Dec. 19, 2017; https://www.grasscity.com/int_en/g-spot-glass-spoon-pipe-red-frit-with-blue-stripe.html; 6 pages.

2018 Heady Spoon Pipe Flower Hand Pipes for Smoking Cheap Silicone Wholesale Colo . . . ; Dec. 19, 2017; <https://www.dhgate.com/product/heady-spoon-pipe-flower-hand-pipes-for-smoking/3978> . . . ; 4 pages.

Smoking spoon pipes—10001 Wicked Spoon; Dec. 19, 2017; <http://ehoy.us/smoking-spoon-pipes/>; 8 pages.

Best Spoon Pipe of 2017—Smokesy Product Reviews; Dec. 19, 2017; <http://smokesy.com/reviews/best-spoon-pipe-of-2016/>; 20 pages.

Smoking Spoon—The Best Spoon in 2017; Dec. 19, 2017; <http://spoon.edot.us/smoking-spoon/>; 8 pages.

The Icy Penguins Glass Spoon Pipe by Empire Glassworks; Dec. 19, 2017; <http://stuffforstoners.com/icy-penguins-glass-spoon-pipe/>; 11 pages.

Sunflower Pipes Brooklyn's Best Smoke Shop; Dec. 19, 2017; <http://sunflowerpipes.com/product/saturn-raver-glass-pipe/>; 4 pages.

Glass Spoon Pipes: The Basics—Vapsterdam; Dec. 19, 2017; <http://vapsterdam.com/blog/glass-spoon-pipes-basics/>; 4 pages.

Glass Spoon Pipe Hand Pipe by Formax420; Dec. 19, 2017; <http://www.formax420.com/shop/formax420-glass-spoon-pipe-2/>; 4 pages.

Glass Spoon Pipe; Dec. 19, 2017; <https://nmmmj.com/5002/bongs/glass-spoon-pipe/>; 2 pages.

Glass Pipes • NY Vape Shop; Dec. 19, 2017; <https://nyvapeshop.com/glass-pipes/>; 22 pages.

Empire Glassworks Vengeance Spoon Pipe | Sky High Smoke Shop (R); Dec. 19, 2017; <https://skyhighsmokeshop.com/product/vengeance-spoon-pipe/>; 2 pages.

4" Classic Spoon Pipe (Add Logo) | AlderEgo; Dec. 19, 2017; <https://www.aevape.com/product/4-5-borosilicate-hand-pipe/>; 9 pages.

Eyce | Silicone Piper with Glass Bowl | Glass Nation; Dec. 19, 2017; <https://www.glassnation.com/product/eyce-silicone-pipe/>; 4 pages.

Glass Spoon Pipe; Dec. 19, 2017; <https://www.hippiebutler.com/product/glass-spoon-pipe/>; 2 pages.

Best 25+ Spoon pipe ideas on Pinterest | Glass spoon pipes, Glass pipes and Pipes; Dec. 19, 2017; <https://www.pinterest.com/explore/spoon-pipe/>; 5 pages.

Green Spiral Hand Pipe 4" | Smoknfly Online Headshop; Dec. 19, 2017; <https://www.smoknfly.com/product/5-5-green-hand-pipe/>; 4 pages.

Meteor Holes Glass Spoon Pipe 4" | Smoknfly Online Headshop; Dec. 19, 2017; <https://www.smoknfly.com/product/meteor-holes-glass-spoon-pipe/>; 3 pages.

Latticello Bulb Glass Spoon Pipe | Smoking Outlet; Dec. 19, 2017; <https://www.smokingoutlet.net/latticello-bulb-glass-spoon-pipe/>; 6 pages.

Liberty 503 Glass—Gear Sandblasted 5" Fumed Glass Spoon Pipe—WickiePipes; Dec. 19, 2017; <https://www.wickiepipes.com/pipes/liberty-503-glass-gear-sandblasted-fumed-spoon-pipe/>; 4 pages.

Five Hole Spoon Pipe at NVS Glassworks; Dec. 19, 2017; <https://store.nvsglassworks.com/product/may-five-hole-spoon-pipe-cobalt/>; 7 pages.

Multi-colored 5" Glass pipe spoon shape Insense holder. Manufactured by Crystal rose, h . . . ; Dec. 19, 2017; <https://bizarros smoke.com/product/multi-colored-5-glass-pipe-spoon-shape-insense-holder> . . . ; 5 pages.

2018 New 3d Smoking Glass Pipes New Design Picture Hand Pipes Glass Smoking Pipe . . . ; Dec. 19, 2017; <https://www.dhgate.com/product/new-smoking-glass-pipes-new-design-picture/25608188> . . . ; 4 pages.

Yellow Techno Glass Spoon Pipe for sale | King's Pipe; Dec. 19, 2017; <https://www.kings-pipe.com/yellow-techno-glass-spoon-pipe-p/pipe-134.htm>; 3 pages.

AMG Blue LV Theme Glass Spoon Pipe for sale | King's Pipe Online Headshop; Dec. 19, 2017; <https://www.kings-pipe.com/amg-blue-lv-spoon-glass-pipe-b/pipe-127.htm>; 4 pages.

Red Techno Glass Spoon Pipe for sale | King's Pipe; Dec. 19, 2017; <https://www.kings-pipe.com/red-techno-glass-spoon-pipe-p/pipe-133.htm>; 3 pages.

Purr Glass Green Spoon Pipe for sale | King's Pipe Online Headshop; Dec. 19, 2017; <https://www.kings-pipe.com/purr-green-spoon-pipe-p/pipe-124.htm>; 4 pages.

Purr Glass Blue Spoon Pipe for sale | King's Pipe Online Headshop; Dec. 19, 2017; <https://www.kings-pipe.com/purr-blue-spoon-pipe-p/pipe-125.htm>; 4 pages.

MAV Glass—Pink Glass Spoon Pipe for sale | King's Pipe Online Headshop; Dec. 19, 2017; <https://www.kings-pipe.com/mav-pink-glass-spoon-pipe-p/pipe-140.htm>; 4 pages.

Glassheads Inside-Out Spoon Pipe USA | Grasscity; Dec. 19, 2017; https://www.grasscity.com/us_en/glassheads-inside-out-spoon-pipe-usa.html; 6 pages.

Grav Labs x Jane West—Glass Spoon Pipe | King's Pipe Online Head Shop; Dec. 19, 2017; <https://www.kings-pipe.com/grav-jane-west-spoon-p/pipe-206.htm>; 6 pages.

PURR 4 Inch Spoon Pipe—Product Review—YouTube; Dec. 19, 2017; <https://www.youtube.com/watch?v=4tZjTwBP4XU>; 2 pages.

Red Eye Spoon Pipe—Azarius; Dec. 19, 2017; https://azarius.net/headshop/pipes/glass_pipes/red-eye-spoon-pipe/; 7 pages.

Spoon pipes | Etsy; Dec. 19, 2017; https://www.etsy.com/market/spoon_pipes; 32 pages.

Sandi Pointe—Virtual Library of Collections; Dec. 19, 2017; <http://www.sandipointe.com/appliances/spoon-pipe/>; 2 pages.

Best Spoon Pipe Photos 2017—Blue Maize; Dec. 19, 2017; <http://www.blumaize.net/appliances/spoon-pipe/>; 2 pages.

Spoon Glass Pipes—WickiePipes; Dec. 19, 2017; <https://www.wickiepipes.com/pipes/glass-pipes/spoon-pipes/>; 9 pages.

(56)

References Cited

OTHER PUBLICATIONS

Spoon Pipe vs Sherlock Pipe: Which Is The Superior Smoking Device?—Grasscity Maga . . . ; Dec. 19, 2017; <https://magazine.grasscity.com/spoon-pipe-vs-sherlock-pipe-superior-smoking-device-37> . . . ; 9 pages.

Wig Wag Spoon—Gray Labs Pipe—More Glass Pipes for Sale on 421Store; Dec. 19, 2017; <https://www.421store.com/products/unique-glass-pipes-grav-labs-pipe>; 3 pages.

Smoking Pipes; Dec. 19, 2017; <http://production.elpasotimes.net/TestLinks/Up%20&%20Down%20Shop/smoking-pipes> . . . ; 2 pages.

USA Assorted GRAV Labs Frit Hand Pipe 4"; Dec. 19, 2017; <http://www.marijuanabackaging.com/assorted-grav-labs-frit-hand-pipe-4.html>; 2 pages.

* cited by examiner

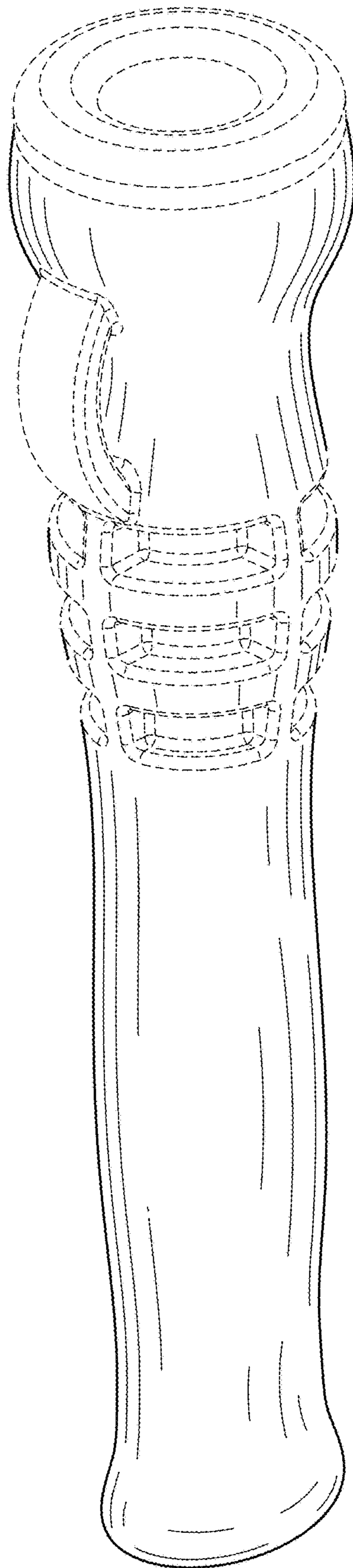


FIG. 1

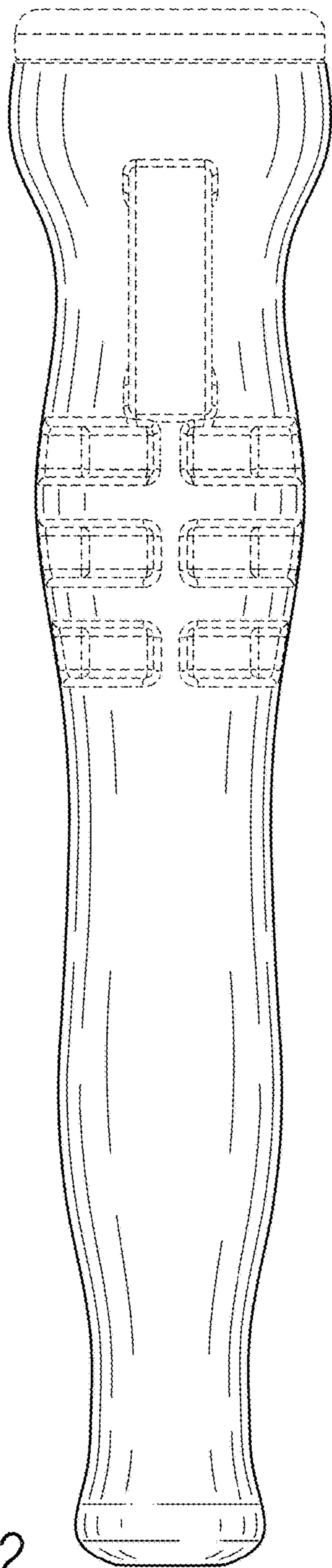


FIG. 2

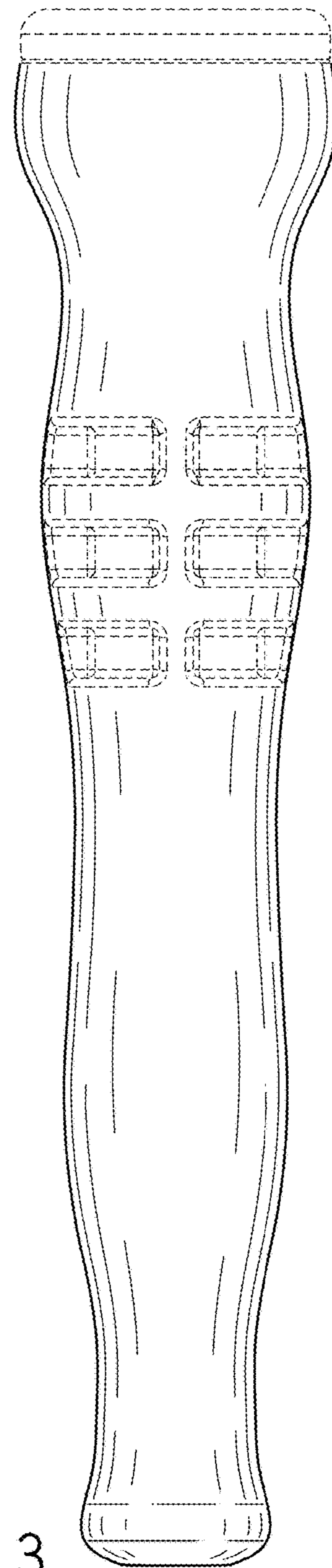


FIG. 3

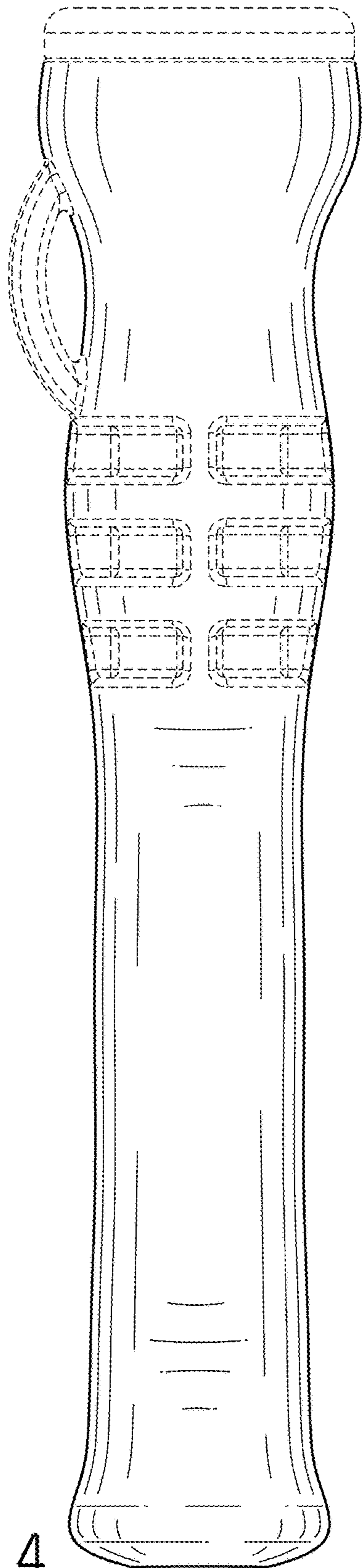


FIG. 4

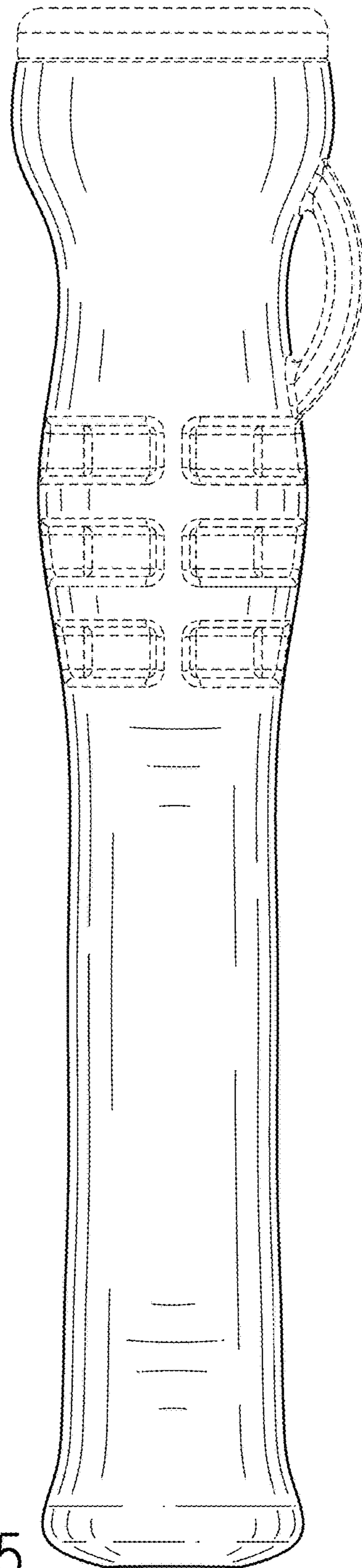


FIG. 5

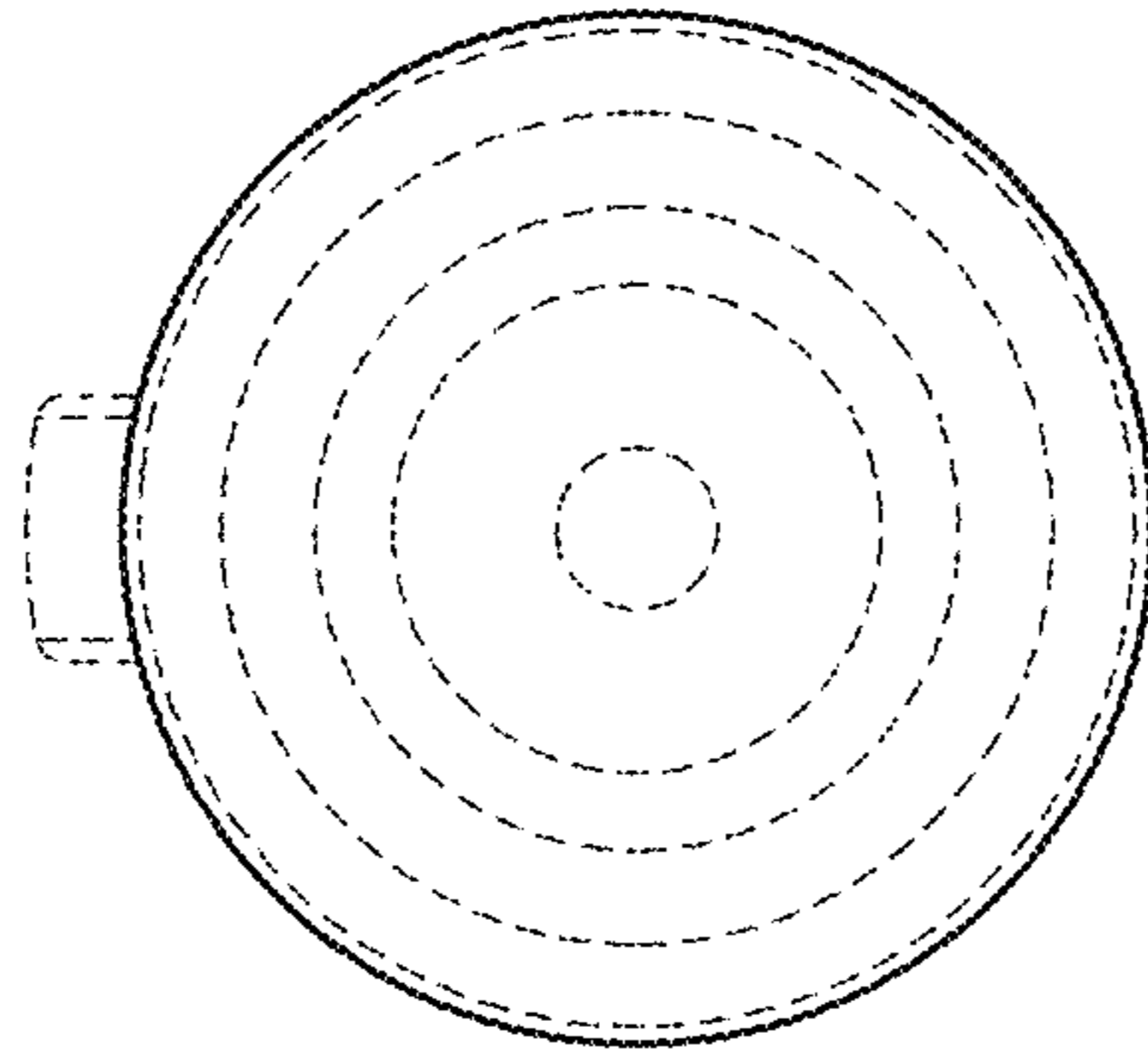


FIG. 6

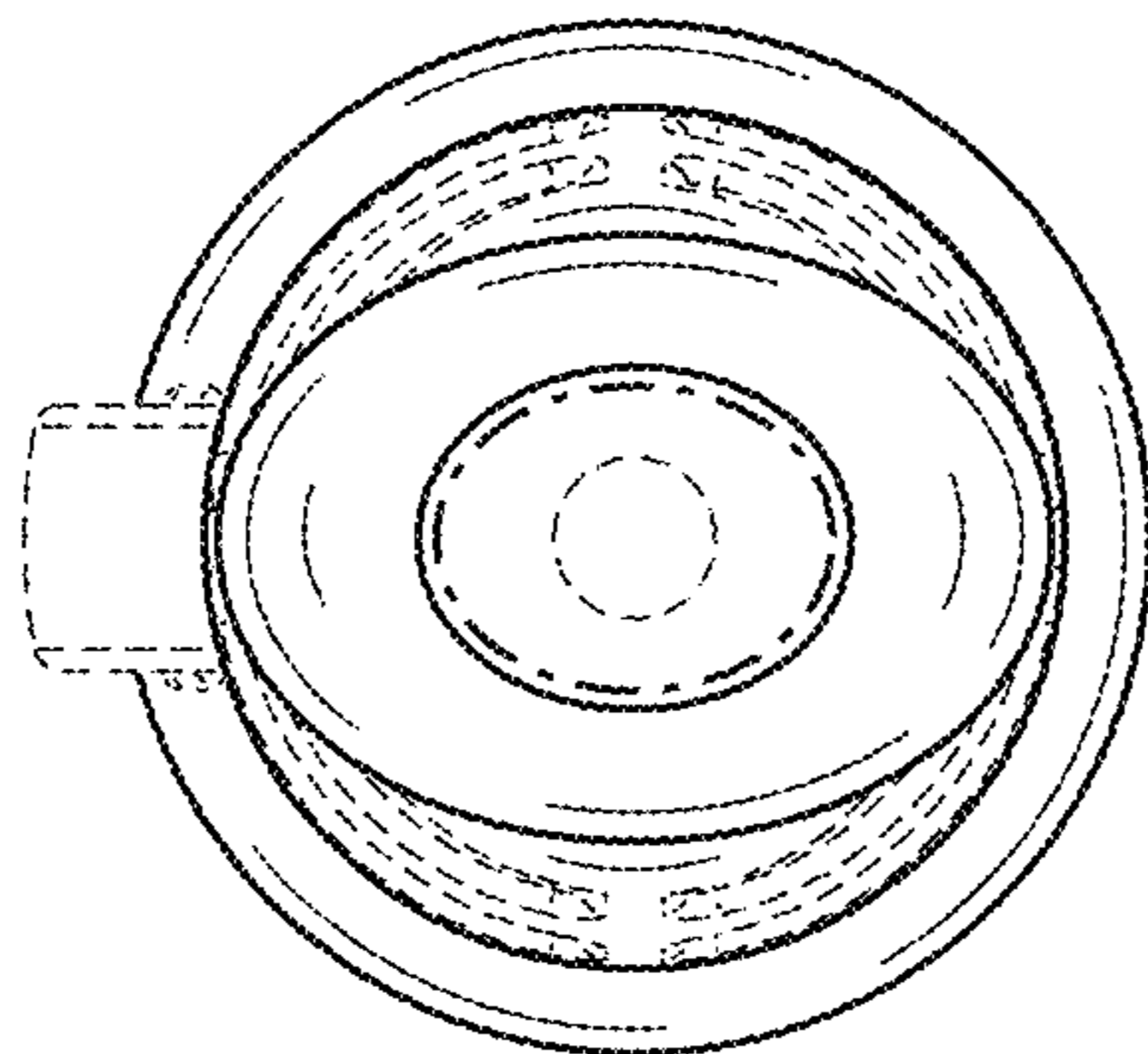


FIG. 7