



US00D865275S

(12) **United States Design Patent** (10) **Patent No.:** **US D865,275 S**  
**Yu et al.** (45) **Date of Patent:** **\*\* Oct. 29, 2019**

(54) **WALL ANCHOR LIGHT BAR FIXTURE**

(71) Applicants: **Scott S Yu**, Tiburon, CA (US); **Rick Wong**, Sonoma, CA (US)

(72) Inventors: **Scott S Yu**, Tiburon, CA (US); **Rick Wong**, Sonoma, CA (US)

(73) Assignee: **VODE, INC.**, Sonoma, CA (US)

(\*\*) Term: **15 Years**

(21) Appl. No.: **29/603,239**

(22) Filed: **May 8, 2017**

(51) **LOC (12) Cl.** ..... **25-01**

(52) **U.S. Cl.**  
USPC ..... **D26/155**

(58) **Field of Classification Search**  
USPC ..... D25/35, 38.1, 41.1, 43, 44, 48.1, 48.2,  
D25/55, 119-120, 136, 137, 164, 199;  
D26/142, 143, 148; D23/377  
CPC ..... E06B 1/02; E06B 1/04; E04C 2/30; A47B  
43/00; A47F 5/00; E04B 2/74  
See application file for complete search history.

(56) **References Cited**

U.S. PATENT DOCUMENTS

D687,759 S *	8/2013	An	.....	D12/219
D716,437 S *	10/2014	Salisbury	.....	D23/377
D772,393 S *	11/2016	Wang	.....	D23/377
D784,241 S *	4/2017	Park	.....	D12/219
D785,539 S *	5/2017	Phillip	.....	D12/219

D791,928 S *	7/2017	Yang	.....	D23/377
D836,916 S *	1/2019	Ebrahimi Afrouzi	.....	D4/102
D836,917 S *	1/2019	Afrouzi	.....	D4/102
2004/0117938 A1 *	6/2004	Wilms	.....	B60S 1/32 15/250.32
2008/0092320 A1 *	4/2008	Cempura	.....	B60S 1/381 15/250.201
2009/0208333 A1 *	8/2009	Smith	.....	F04D 25/088 416/5
2011/0262278 A1 *	10/2011	Fizer	.....	F04D 25/088 416/220 R

\* cited by examiner

*Primary Examiner* — Mark A Goodwin

*Assistant Examiner* — Benjamin M Weeks

(74) *Attorney, Agent, or Firm* — Peter Tormey; Michael Petrin; Antero, Tormey & Petrin PC

(57) **CLAIM**

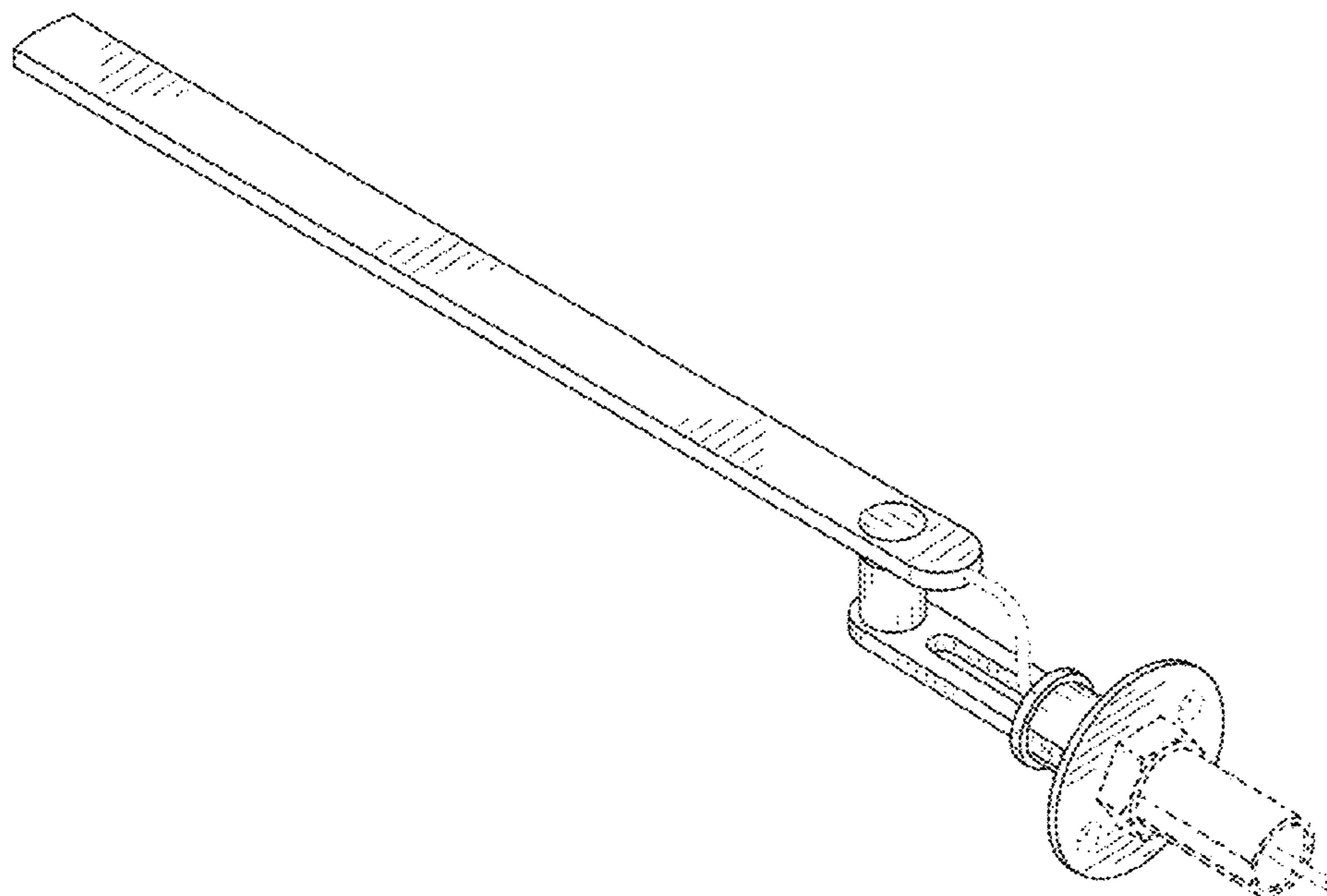
We claim the ornamental design for a wall anchor light bar fixture, as shown and described.

**DESCRIPTION**

FIG. 1 is a top perspective view of a wall anchor light bar fixture showing the new design; FIG. 2 is a left side view thereof; FIG. 3 is a right side view thereof; FIG. 4 is a top view thereof; FIG. 5 is a bottom view thereof; FIG. 6 is a back view thereof; and, FIG. 7 is a front view thereof.

The broken lines represent portions of the wall anchor light bar fixture and form no part of the claimed design.

**1 Claim, 4 Drawing Sheets**



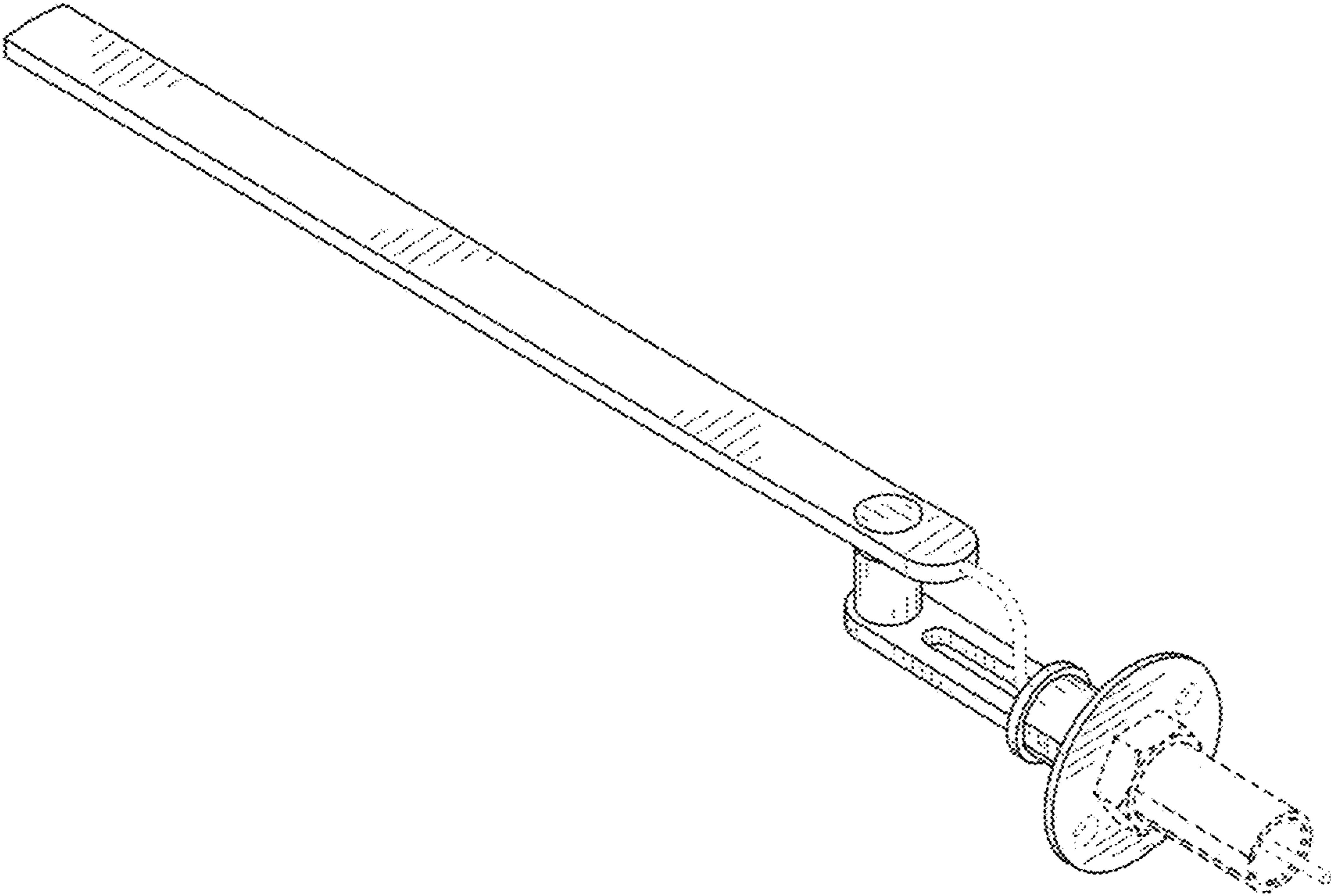


FIG. 1



FIG. 2

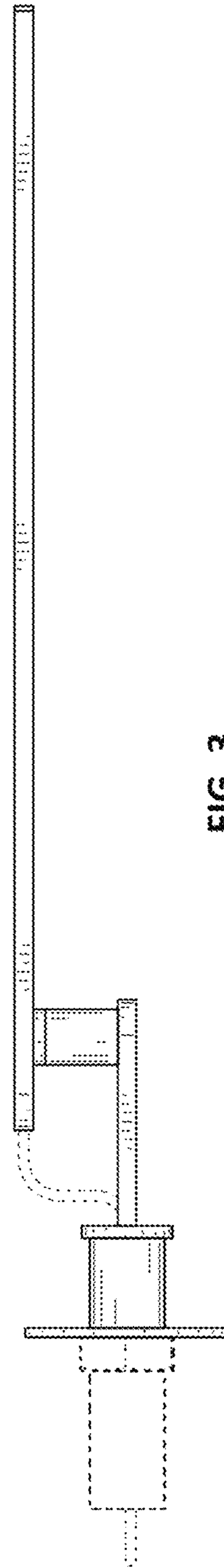


FIG. 3

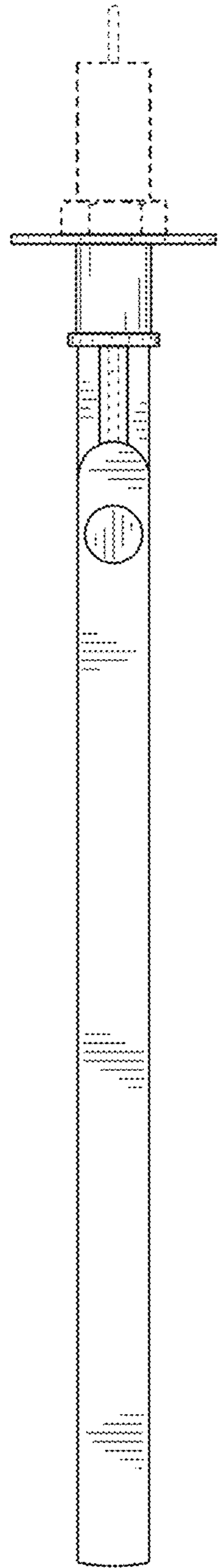


FIG. 4

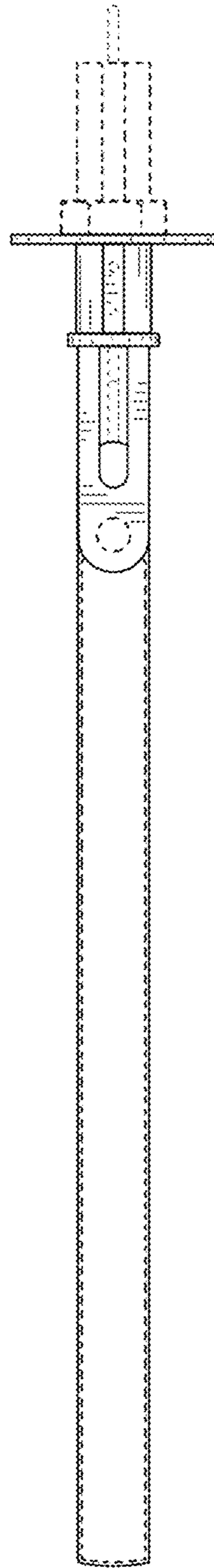


FIG. 5

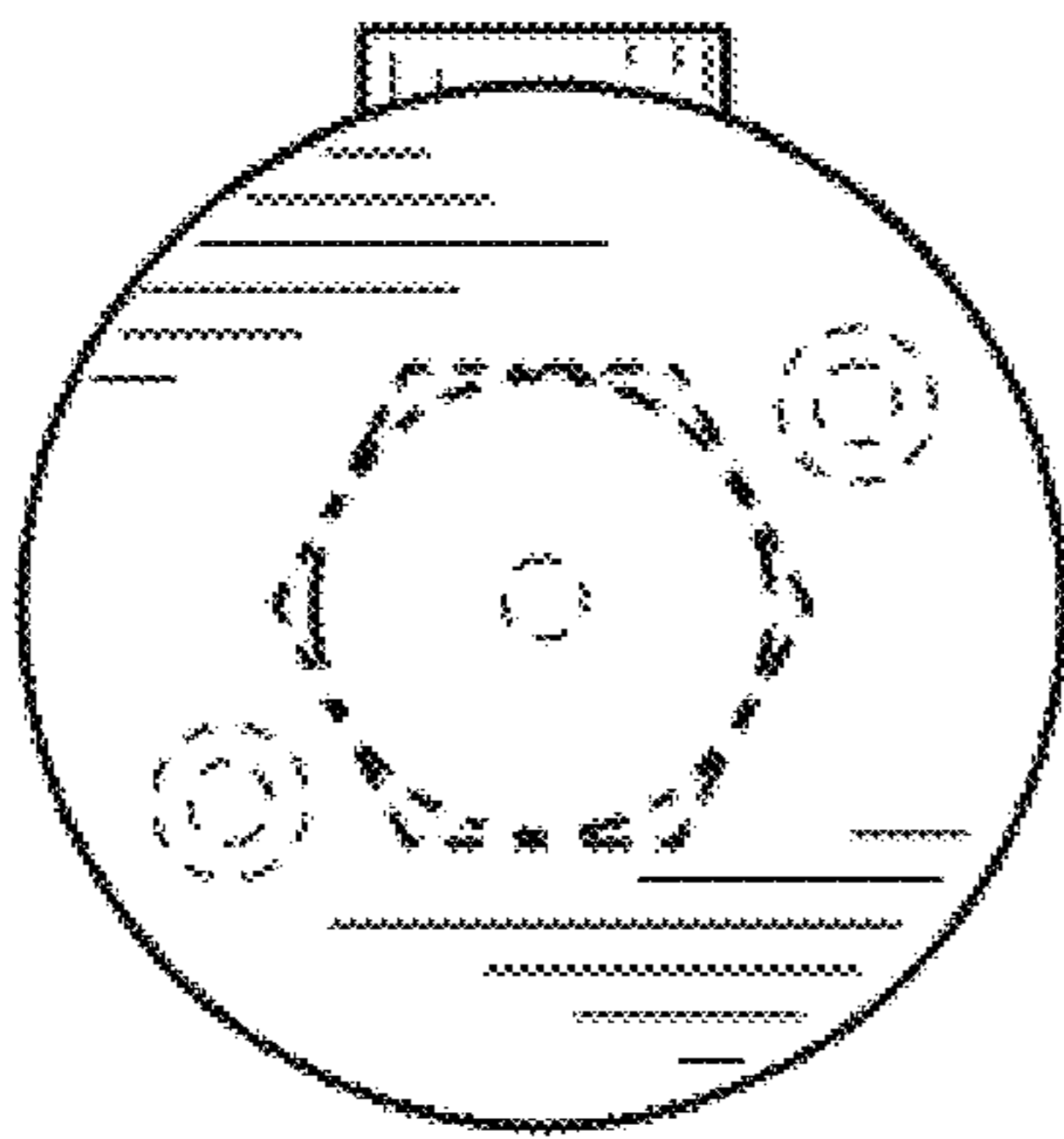


FIG. 6

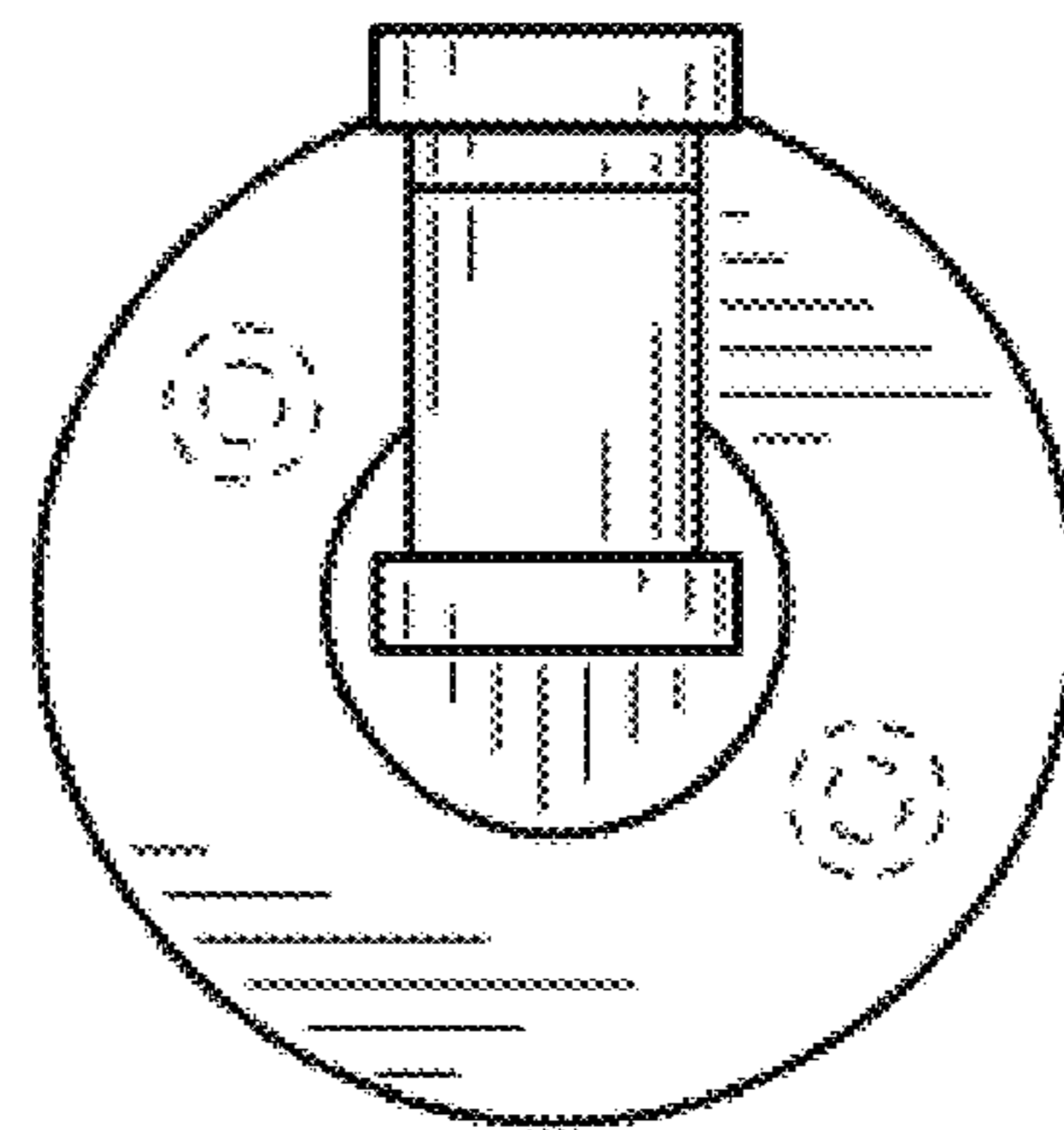


FIG. 7