



US00D865271S

(12) **United States Design Patent**  
**Parker**

(10) **Patent No.:** **US D865,271 S**

(45) **Date of Patent:** **\*\* Oct. 29, 2019**

(54) **LIGHTING FIXTURE**

(71) Applicant: **Soraa, Inc.**, Fremont, CA (US)

(72) Inventor: **Jeffrey Parker**, Fremont, CA (US)

(73) Assignee: **Soraa, Inc.**, Fremont, CA (US)

(\*\*) Term: **15 Years**

(21) Appl. No.: **29/673,014**

(22) Filed: **Dec. 11, 2018**

**Related U.S. Application Data**

(63) Continuation of application No. 29/601,870, filed on Apr. 26, 2017, now Pat. No. Des. 838,406.

(51) **LOC (12) Cl.** ..... **29-99**

(52) **U.S. Cl.**  
USPC ..... **D26/118**

(58) **Field of Classification Search**  
USPC ... D26/9, 10, 12, 13, 15, 16, 24, 51, 61, 72,  
D26/76, 80, 81, 85, 86, 88, 90, 113, 118,  
D26/119, 120, 122, 128, 129, 138, 143,  
D26/144

CPC .... B60Q 1/04; B60Q 1/26; F21S 8/026; F21S  
8/04; F21V 29/004; F21V 21/02; F21V  
21/04; F21V 29/2212; F21V 7/22; F21V  
29/83; F21V 37/002; F21V 7/00; F21L  
19/00; F23D 11/443; F21Y 2101/02;  
A61L 9/037

See application file for complete search history.

(56) **References Cited**

U.S. PATENT DOCUMENTS

D768,910 S *	10/2016	Reynolds .....	D26/118
D786,486 S *	5/2017	Reynolds .....	D26/118
D797,352 S *	9/2017	Stanley .....	D26/118
D810,998 S *	2/2018	DiFelice .....	D26/118
D814,687 S *	4/2018	Stanley .....	D26/118

\* cited by examiner

*Primary Examiner* — Brian N. Vinson

(74) *Attorney, Agent, or Firm* — FisherBroyles LLP

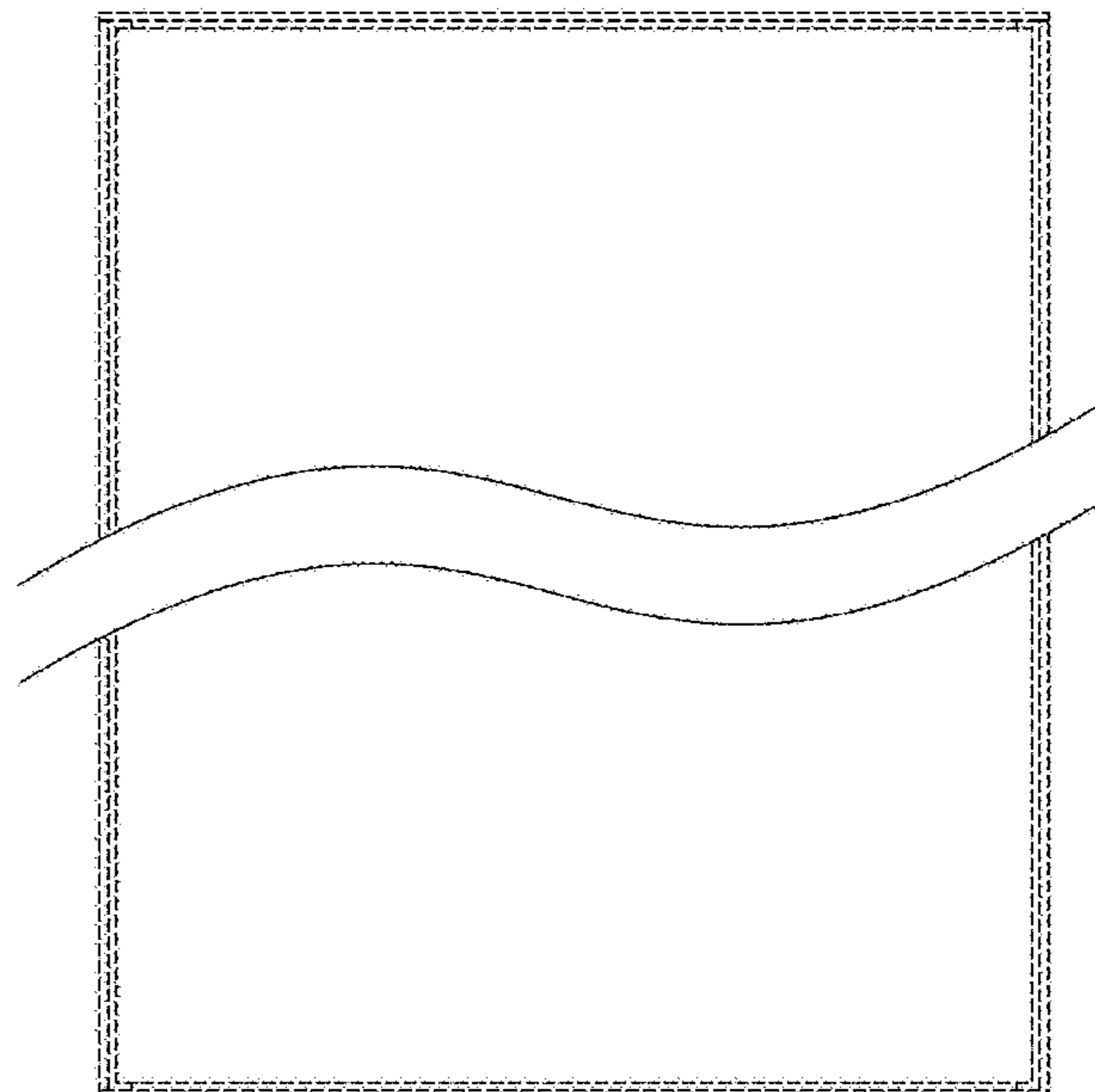
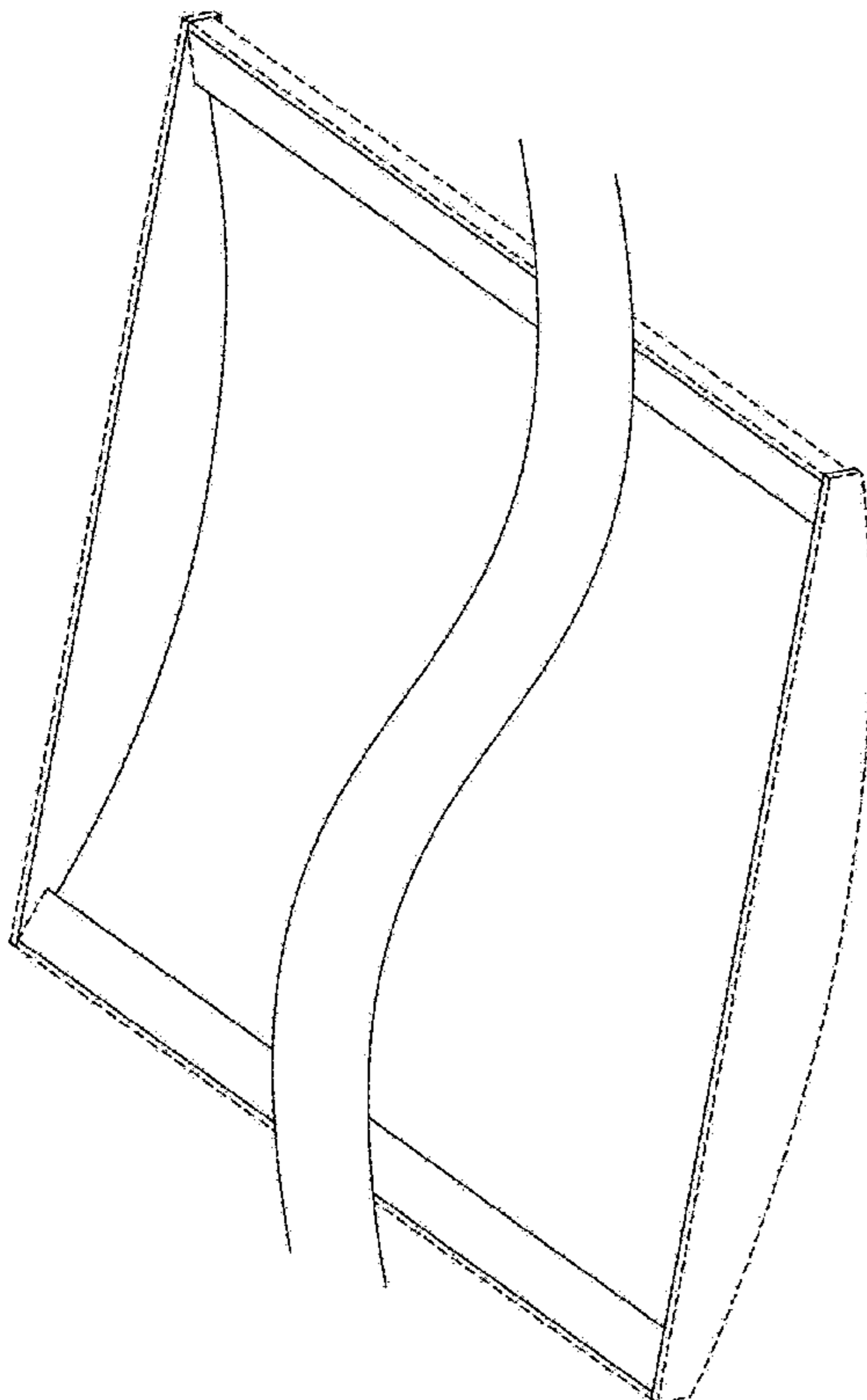
(57) **CLAIM**

The ornamental design for a lighting fixture, as shown and described.

**DESCRIPTION**

FIG. 1 is a perspective view of a lighting fixture showing a first embodiment of our new design;  
FIG. 2 is a top plan view thereof;  
FIG. 3 is a bottom plan view thereof;  
FIG. 4 is a side view from the top and bottom thereof; and,  
FIG. 5 is a side view from the left and right sides.  
The broken lines in the figures represent unclaimed subject matter and form no part of the claimed design.

**1 Claim, 4 Drawing Sheets**



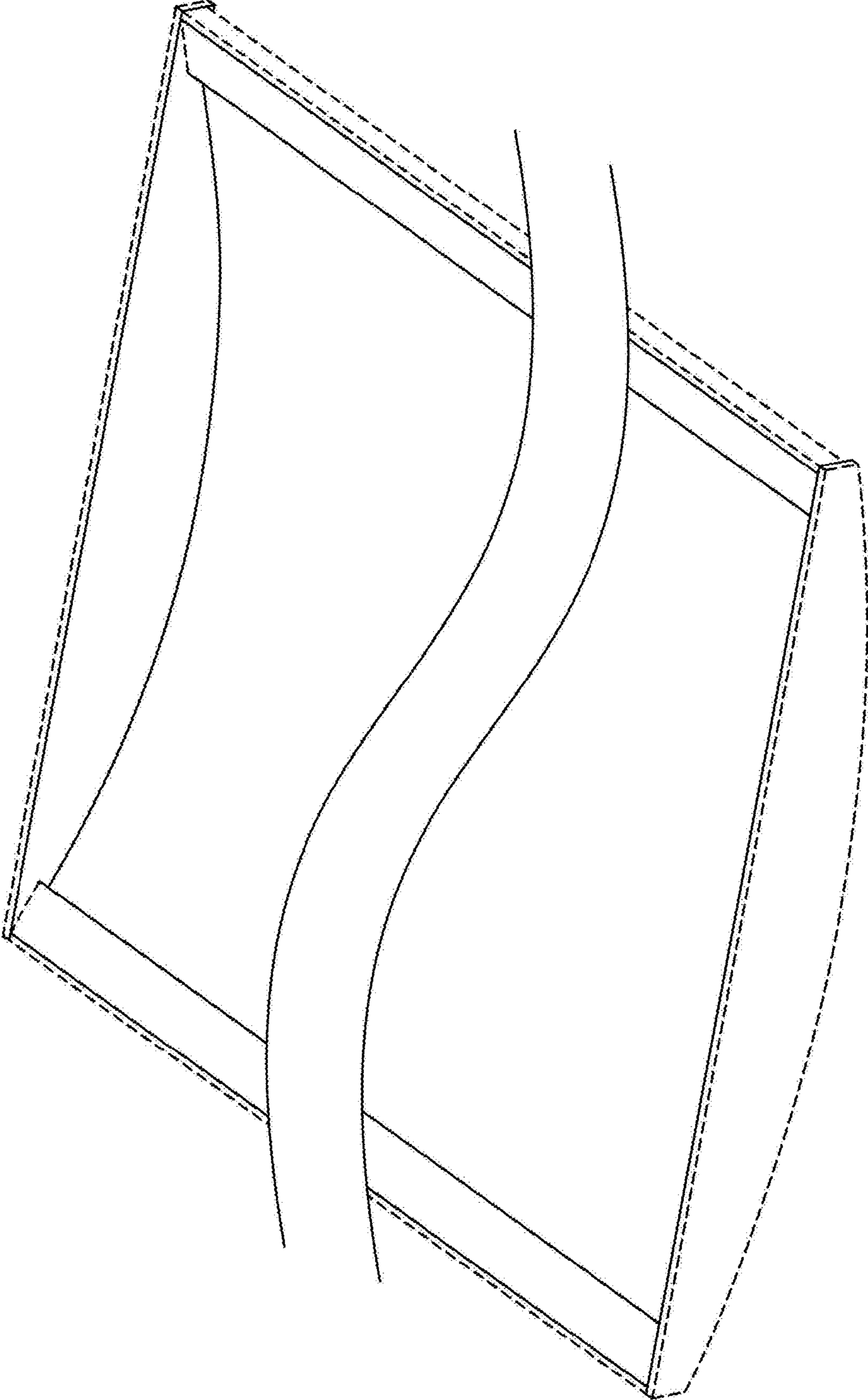


FIG. 1

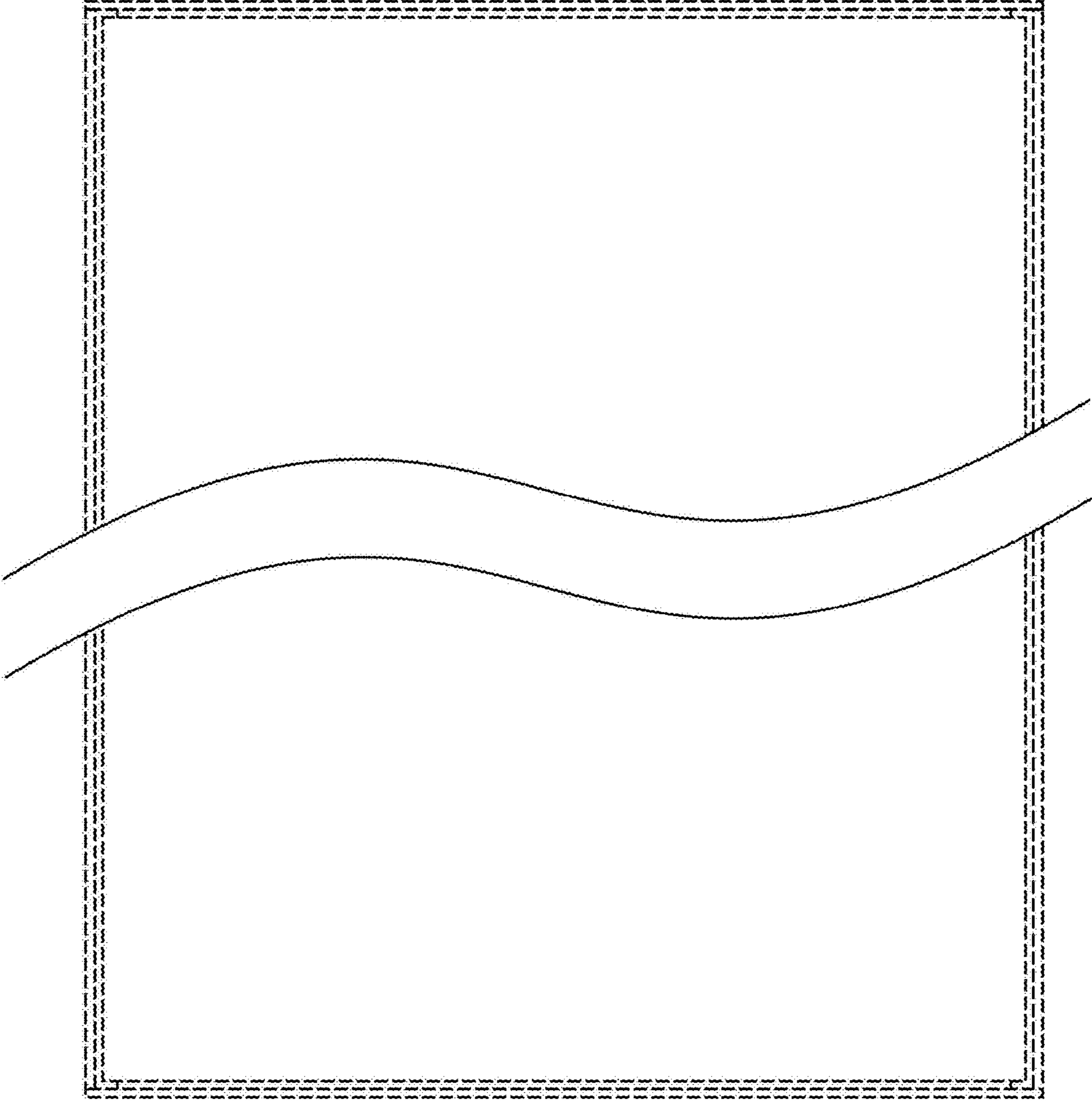


FIG. 2

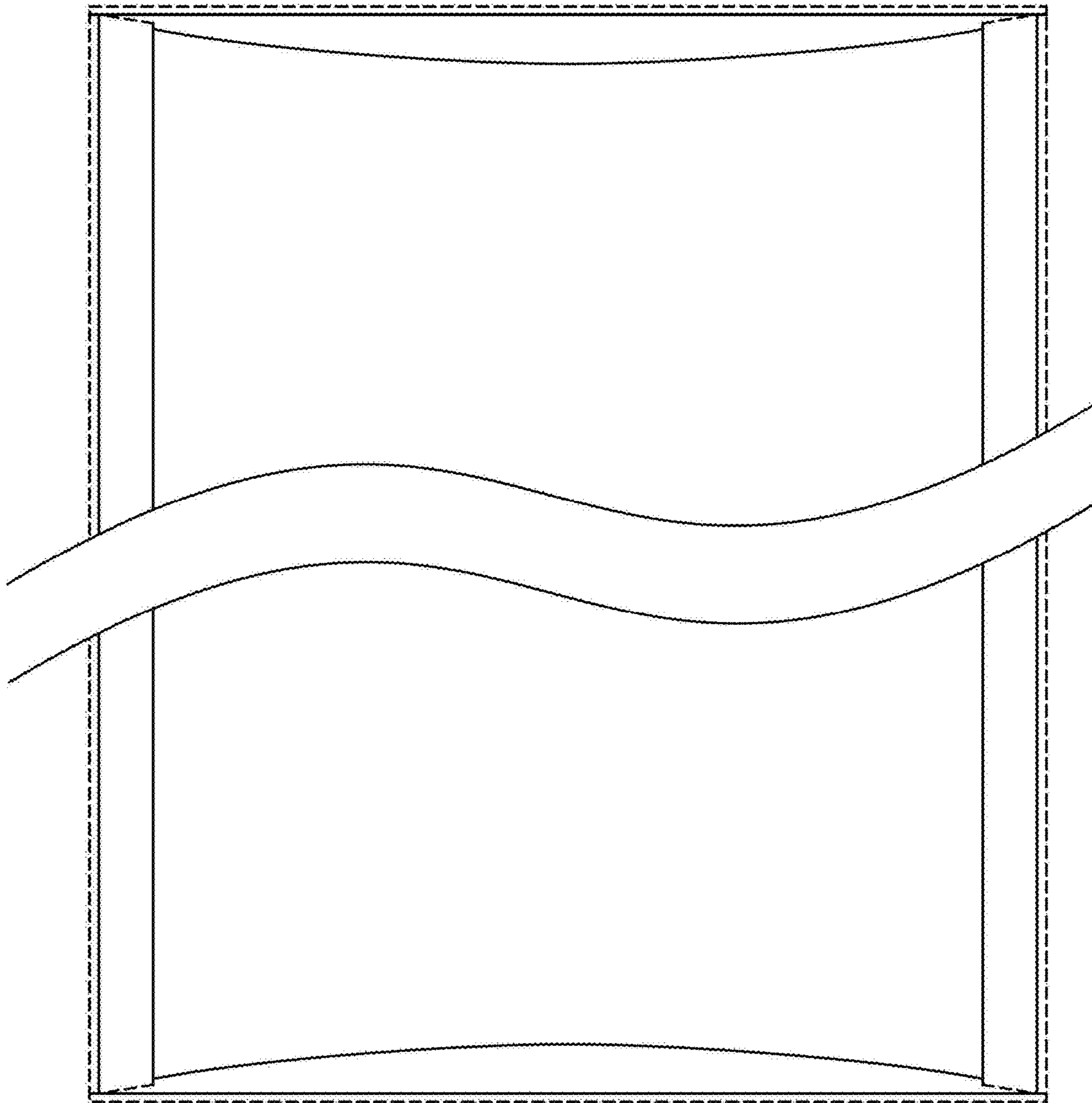


FIG. 3



FIG. 4

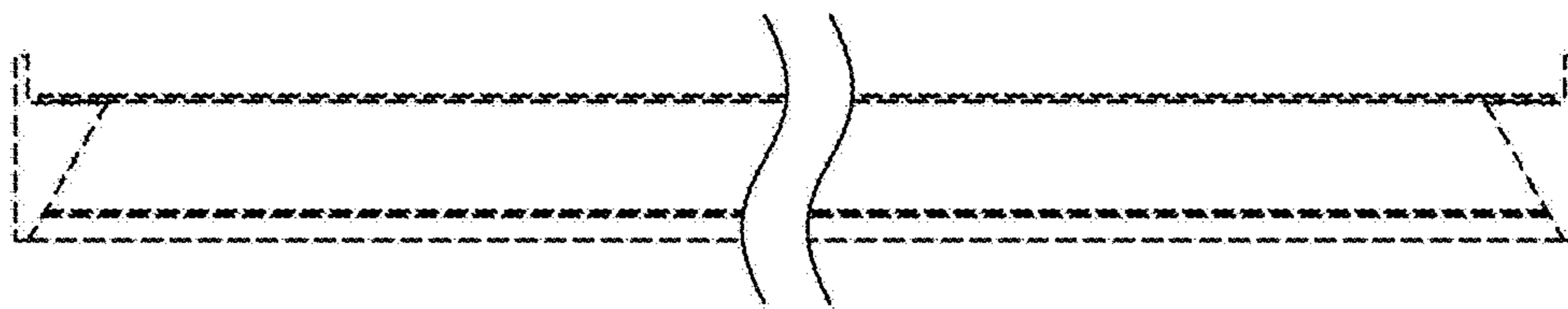


FIG. 5