



US00D865270S

(12) **United States Design Patent** (10) **Patent No.:** **US D865,270 S**
McRoberts (45) **Date of Patent:** **** Oct. 29, 2019**

- (54) **CEILING FAN LIGHT HOOD**
- (71) Applicant: **HUNTER FAN COMPANY**,
Memphis, TN (US)
- (72) Inventor: **Claire Bernice McRoberts**, Memphis,
TN (US)
- (73) Assignee: **Hunter Fan Company**, Memphis, TN
(US)
- (**) Term: **15 Years**
- (21) Appl. No.: **29/635,265**
- (22) Filed: **Jan. 30, 2018**
- (51) **LOC (12) Cl.** **26-03**
- (52) **U.S. Cl.**
USPC **D26/118**
- (58) **Field of Classification Search**
USPC D23/377, 379, 411; D26/51, 59, 67, 71,
D26/72, 81-89, 92, 104, 105, 110, 113,
D26/118, 119, 128-137
CPC F04D 25/088; F21V 33/0052; F21V
33/0096; F21V 21/02; F21V 21/03; F21V
17/002; F21V 23/002; F21V 23/04; F21V
23/0485; F21V 23/005; F21V 23/007;
F21V 15/01; F21V 19/04; F21V 19/006;
F21V 7/22
See application file for complete search history.

(56) **References Cited**

U.S. PATENT DOCUMENTS

- D19,395 S * 10/1889 Webb D26/128
- D363,540 S * 10/1995 Yen D23/377
- D370,550 S * 6/1996 Lecluze D26/118
- D376,667 S * 12/1996 Lucluze D26/119
- D414,857 S 10/1999 Zuege
- D420,120 S 2/2000 Evans
- D440,341 S * 4/2001 Arumugasaamy D26/85
- D444,260 S * 6/2001 Dolan D26/92
- D494,308 S * 8/2004 Sales D26/123
- D549,813 S * 8/2007 Gajewski D23/377

- D556,939 S * 12/2007 Gajewski D26/128
- D607,138 S * 12/2009 Pickett D26/128
- D625,403 S * 10/2010 Liu D23/377

(Continued)

FOREIGN PATENT DOCUMENTS

- CN 304445933 * 1/2018
- WO D026240-004 * 7/1993

OTHER PUBLICATIONS

Loki With LED Light 36 Inch Ceiling Fan Hunter Fan <https://www.hunterfan.com/ceiling-fans/loki-with-led-light-36-inch-fan993> May 3, 2019 (Year: 2019).*

(Continued)

Primary Examiner — Leanne Was-Englehart
(74) *Attorney, Agent, or Firm* — McGarry Bair PC

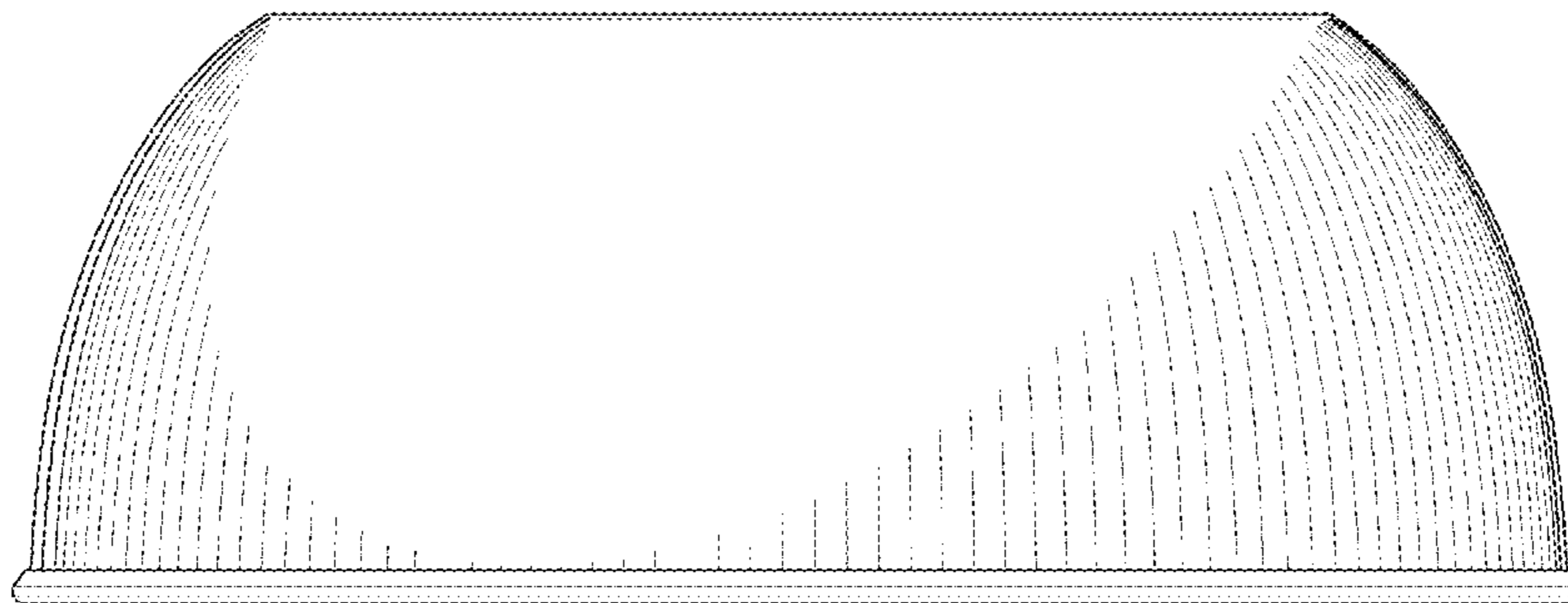
(57) **CLAIM**

The ornamental design for a ceiling fan light hood, as shown and described.

DESCRIPTION

FIG. 1 is a top perspective view of a ceiling fan light hood according to our invention;
 FIG. 2 is a bottom perspective view of the ceiling fan light hood of FIG. 1;
 FIG. 3 is a right view of the ceiling fan light hood of FIG. 1; with front, left and back side views being identical thereto.
 FIG. 4 is a top view of the ceiling fan light hood of FIG. 1; and,
 FIG. 5 is a bottom view of the ceiling fan light hood of FIG. 1.
 Portions of the ceiling fan light hood shown in broken lines form no part of the claimed design.
 In FIG. 1, the broken lines depict the environment for the claimed design, shown in a condition of use.

1 Claim, 5 Drawing Sheets



(56)

References Cited

U.S. PATENT DOCUMENTS

D628,286 S	*	11/2010	Yang	D23/411
D631,185 S	*	1/2011	Ku	D26/120
D654,617 S	*	2/2012	Marquardt	D26/120
D679,857 S	*	4/2013	Hsu	D26/120
D699,149 S	*	2/2014	Wolff	D11/153
D803,470 S	*	11/2017	Austin, III	D26/118
D808,510 S	*	1/2018	Gajewski	D23/377
D810,912 S	*	2/2018	McRoberts	D23/377
D821,008 S	*	6/2018	Guthrie	D26/59
D822,192 S	*	7/2018	Haggar	D23/411
D834,734 S	*	11/2018	Guthrie	D26/59
D845,534 S	*	4/2019	Van Duysen	D26/87

OTHER PUBLICATIONS

<http://www.hunterfan.com/Ceiling-Fans/Mill-Valley?ModelNumber=59311>, Hunter Fan, Mill Valley Low Profile, 52" Ceiling Fan, Model No. 59311 in Matte Silver Finish, accessed Sep. 19, 2017.

<http://www.hunterfan.com/Ceiling-Fans/Walford?ModelNumber=59071>, Hunter Fan, Walford, 52" Ceiling Fan, Model No. 59071 in Brushed Nickel Finish, accessed Sep. 19, 2017.

<http://www.hunterfan.com/Ceiling-Fans/Lindbeck?ModelNumber=59209>, Hunter Fan, Lindbeck, 52" Ceiling Fan, Model No. 59209 in Brushed Steel Finish, accessed Sep. 19, 2017.

<http://www.hunterfan.com/Ceiling-Fans/Cranbrook?ModelNumber=59258>, Hunter Fan, Cranbrook, 52" Ceiling Fan, Model No. 59258 in Mint Finish, accessed Sep. 19, 2017.

<http://www.hunterfan.com/Ceiling-Fans/Bennett?ModelNumber=54187>, Hunter Fan, Bennett with Globe Light, 52" Ceiling Fan, Model No. 54187 in Matte Black Finish, accessed Sep. 19, 2017.

<http://www.hunterfan.com/Ceiling-Fans/Crown-Canyon-Collection?ModelNumber=53352>, Hunter Fan, Crown Canyon Collection, 52" Ceiling Fan, Model No. 53352 in Regal Bronze Finish, accessed Sep. 19, 2017.

<http://www.minkagroup.net/minka-aire/products>, Minka Shade, 56" 4-Blades LED Ceiling Fan, Model No. F683L-BNW in Brushed Nickel Finish with Silver Blades w/ Clear Fresnel Glass, accessed Sep. 19, 2017.

* cited by examiner

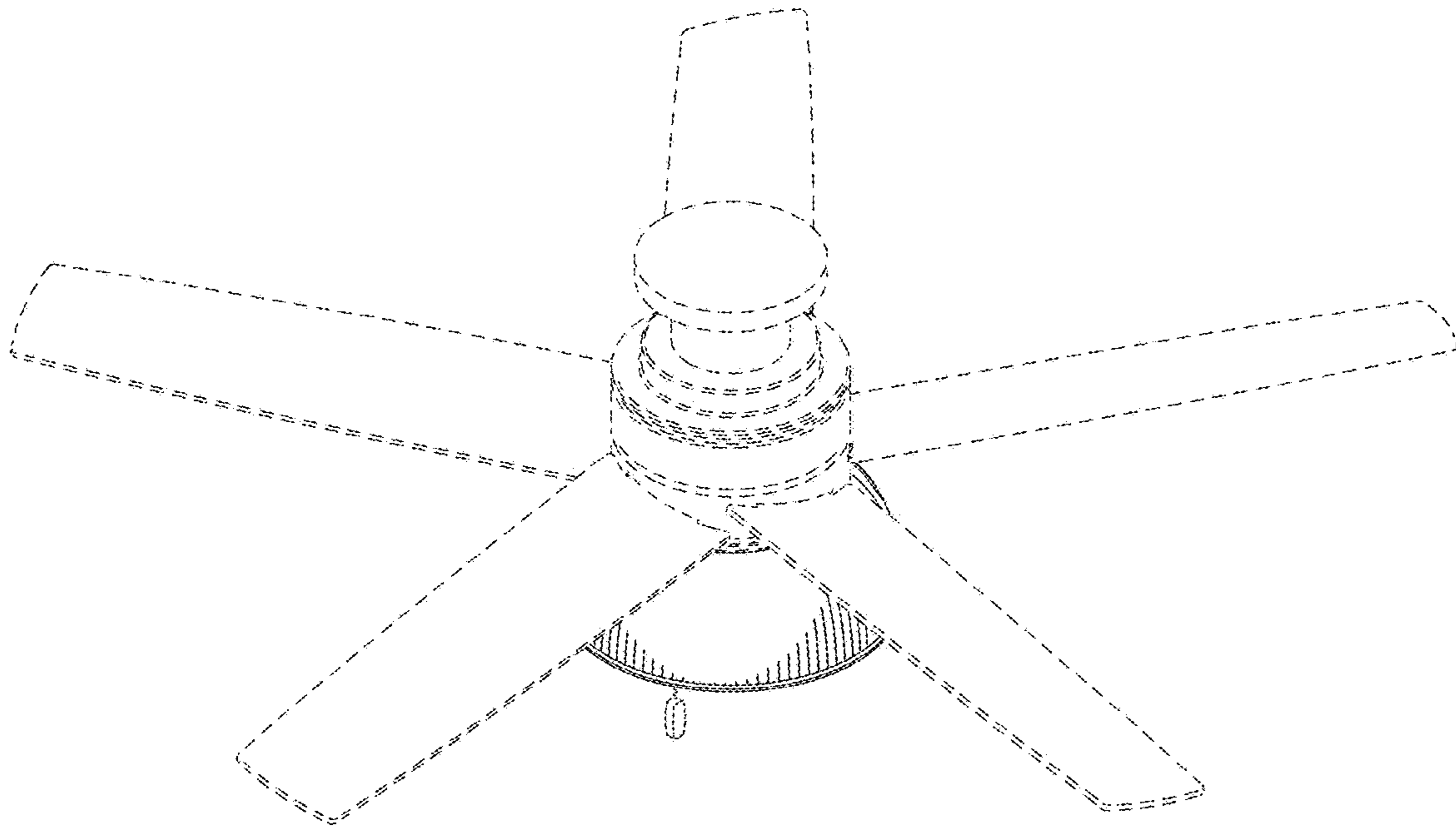


FIG.1

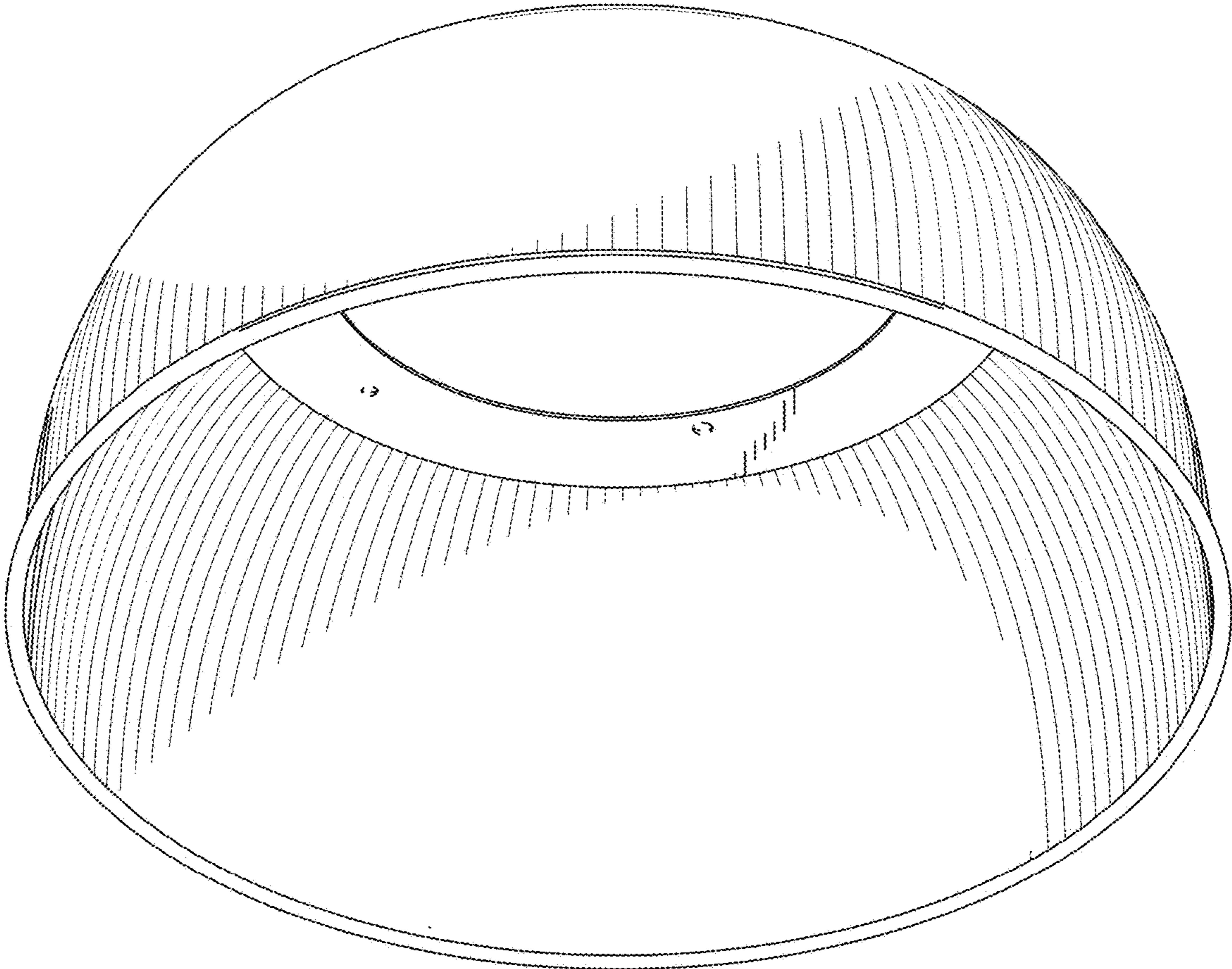


FIG. 2

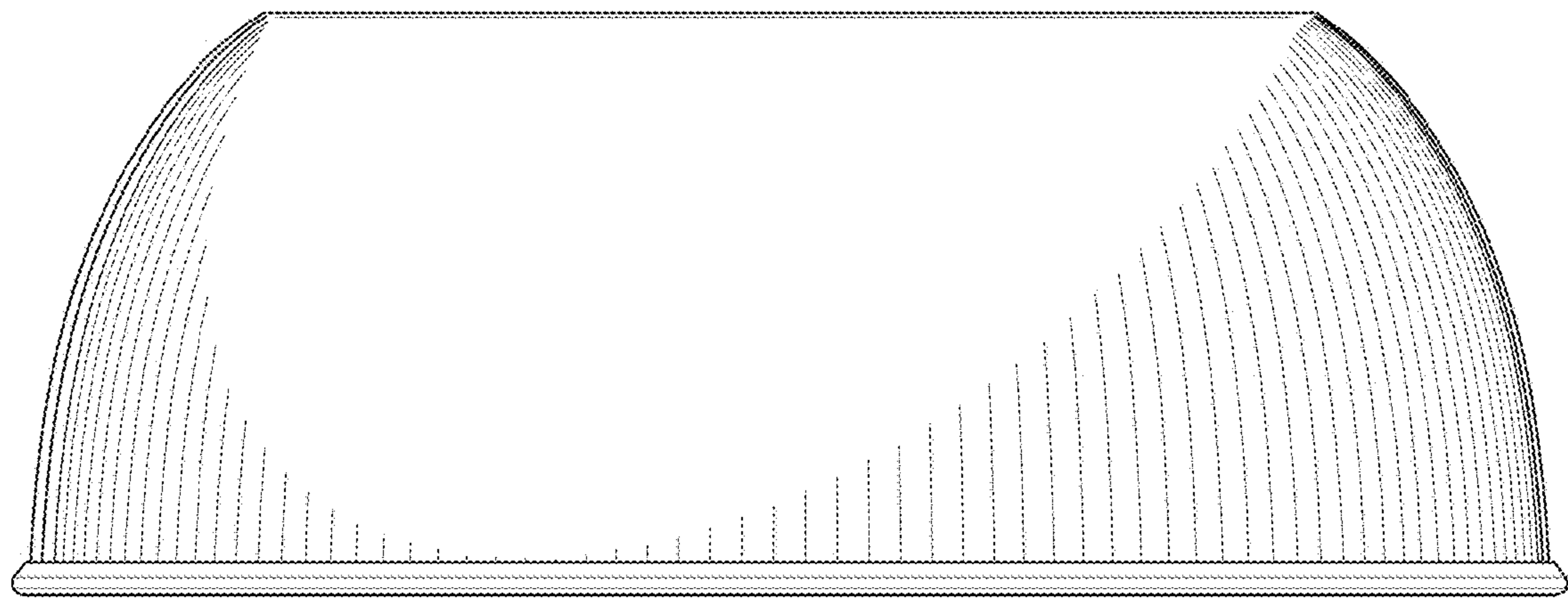


FIG.3

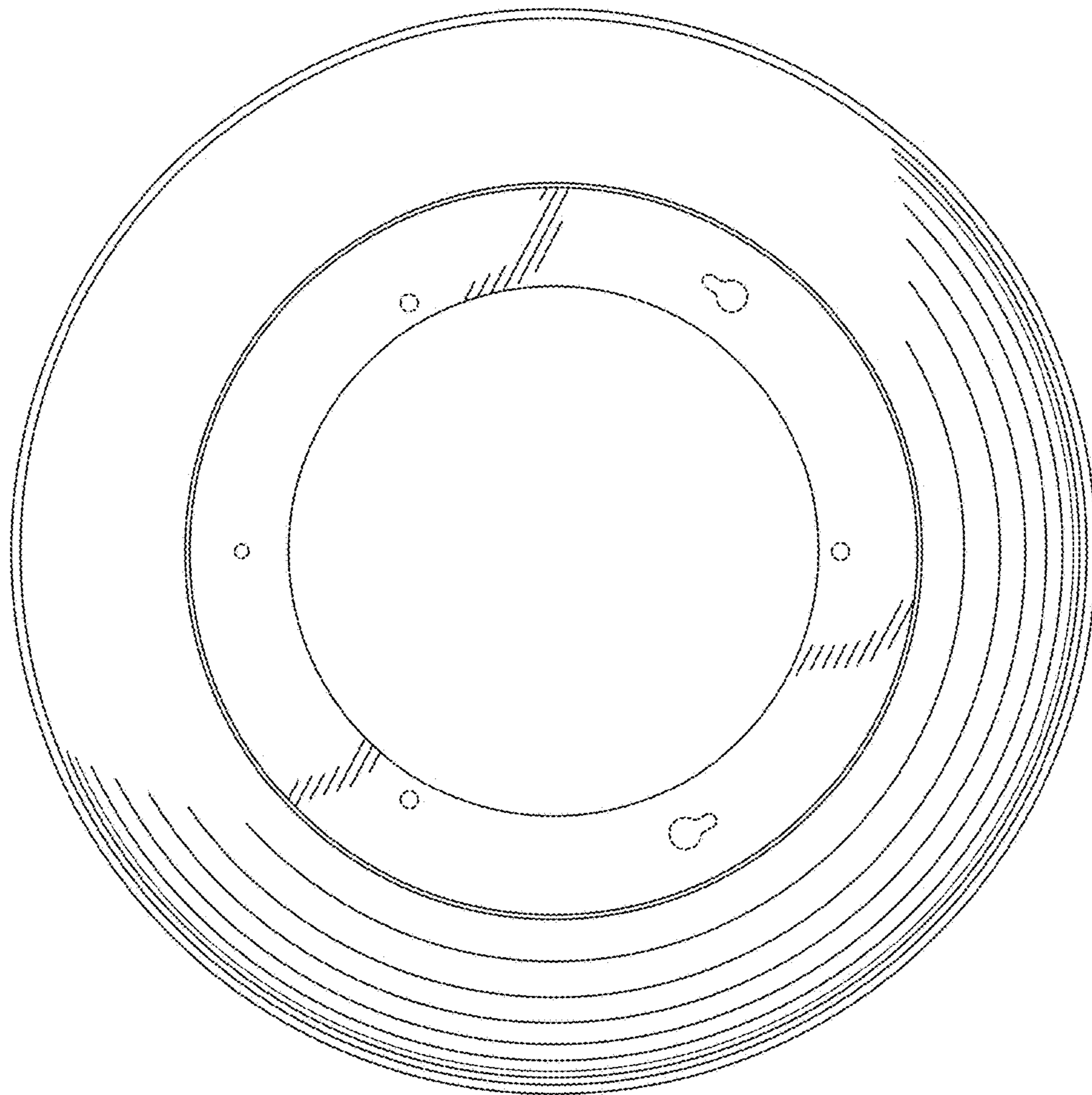


FIG.4

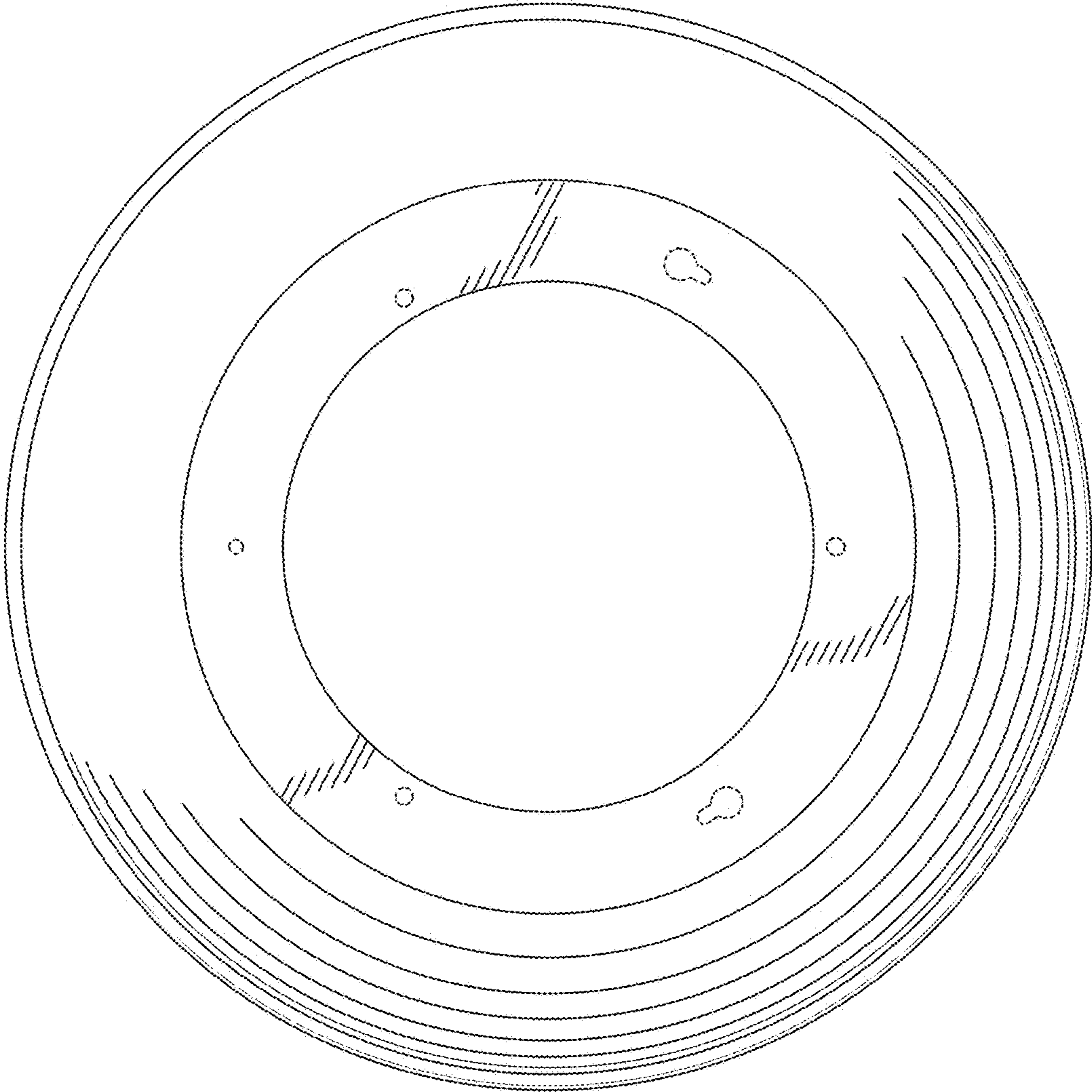


FIG.5