



US00D865266S

(12) **United States Design Patent**  
**De Bevilacqua et al.**

(10) **Patent No.:** **US D865,266 S**

(45) **Date of Patent:** **\*\* Oct. 29, 2019**

(54) **LAMP**

(71) Applicant: **ARTEMIDE S.p.A.**, Milan (IT)

(72) Inventors: **Carlotta De Bevilacqua**, Milan (IT);  
**Laura Pessoni**, Milan (IT)

(73) Assignee: **ARTEMIDE S.P.A.** (IT)

(\*\*) Term: **15 Years**

(21) Appl. No.: **29/619,292**

(22) Filed: **Sep. 28, 2017**

(30) **Foreign Application Priority Data**

Mar. 29, 2017 (EM) ..... 003829597

(51) **LOC (12) Cl.** ..... **26-03**

(52) **U.S. Cl.**  
USPC ..... **D26/90**

(58) **Field of Classification Search**

USPC ..... D26/81-92, 118  
CPC .... F21S 8/06; F21S 8/061; F21S 8/063; F21S  
8/065; F21V 5/06

See application file for complete search history.

(56) **References Cited**

**U.S. PATENT DOCUMENTS**

D204,013 S \* 3/1966 Hall ..... D26/128  
D263,084 S \* 2/1982 Suzuki ..... D26/104

5,857,765 A \* 1/1999 Deron ..... F21S 8/065  
362/249.01  
D405,553 S \* 2/1999 Stewart ..... D26/88  
D407,521 S \* 3/1999 Crosby ..... D26/88  
D596,779 S \* 7/2009 Silver ..... D26/88  
D641,911 S \* 7/2011 Gutting ..... D26/88  
D791,386 S \* 7/2017 Arndt ..... D26/88  
D810,991 S \* 2/2018 Lee ..... D26/90  
2014/0340880 A1 \* 11/2014 Benner ..... H01R 33/92  
362/147  
2018/0128460 A1 \* 5/2018 Sonneman ..... F21S 8/046

\* cited by examiner

*Primary Examiner* — Clare E Heflin

(74) *Attorney, Agent, or Firm* — The Belles Group, P.C.

(57) **CLAIM**

The ornamental design for a lamp, as shown and described.

**DESCRIPTION**

FIG. 1 is a front view of a lamp in accordance with the new design;

FIG. 2 is a rear view thereof;

FIG. 3 is a right-side view thereof;

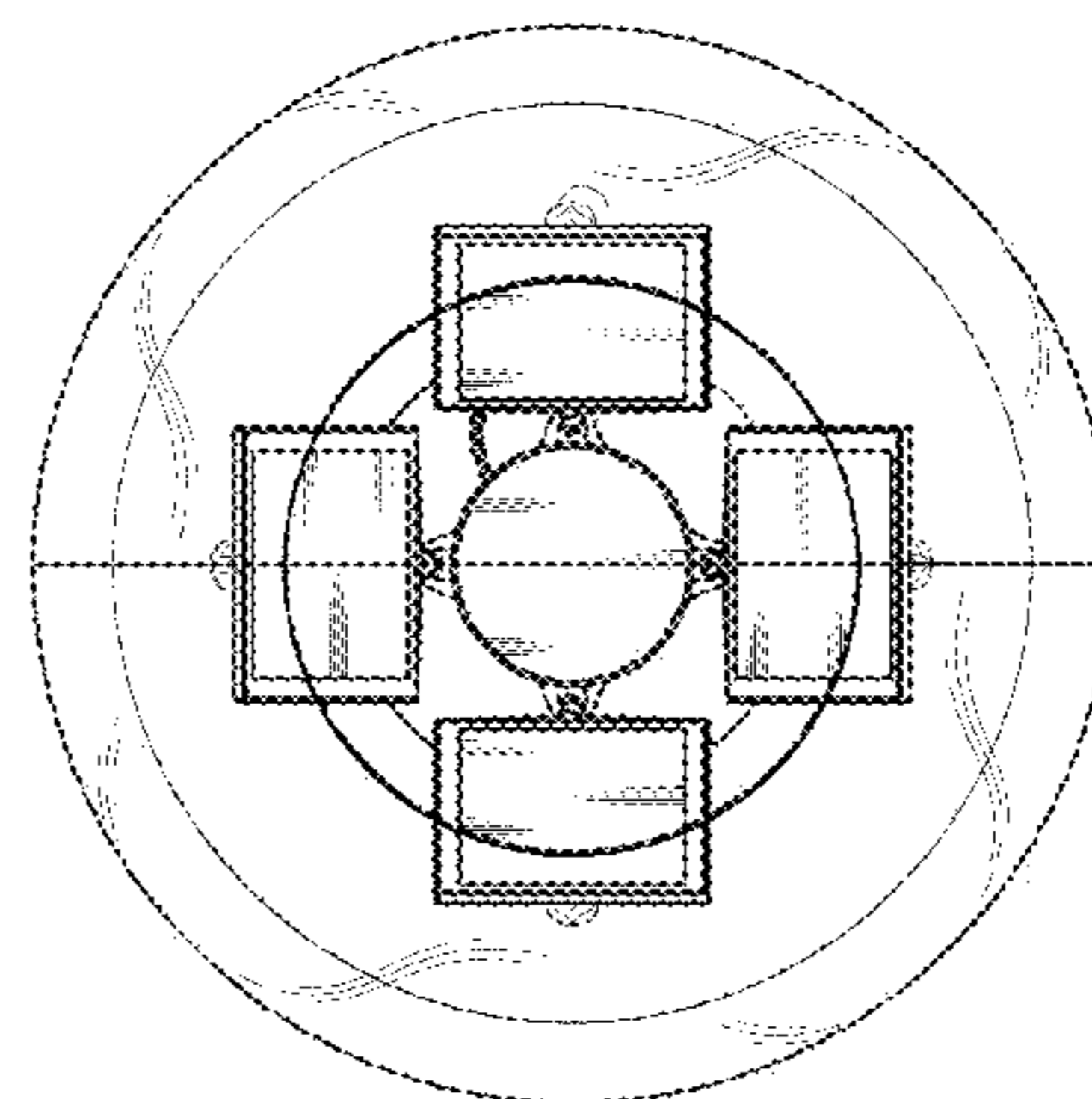
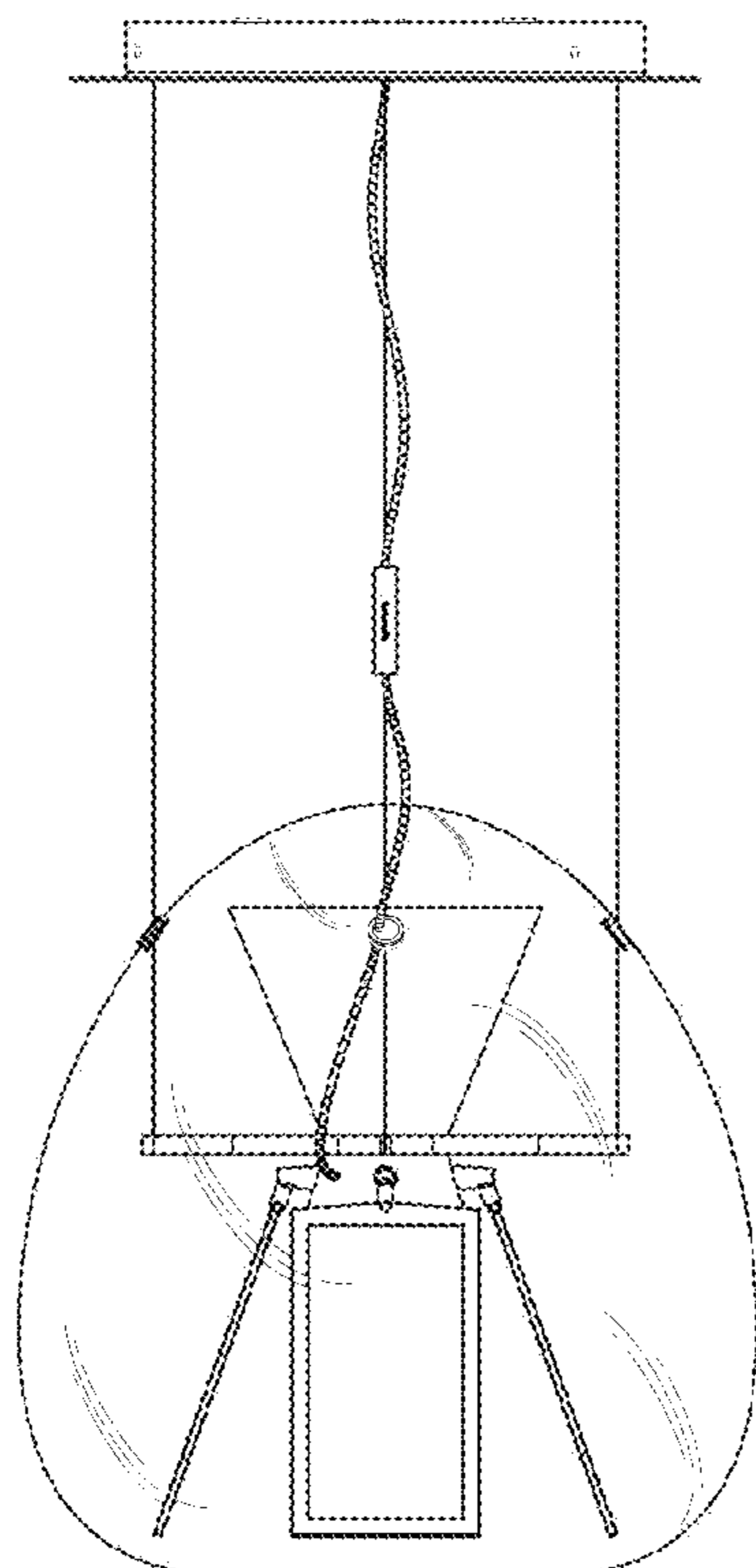
FIG. 4 is a left-side view thereof;

FIG. 5 is a bottom view thereof; and,

FIG. 6 is a top view thereof.

The broken lines in the drawings show portions of the lamp that form no part of the claimed design.

**1 Claim, 6 Drawing Sheets**



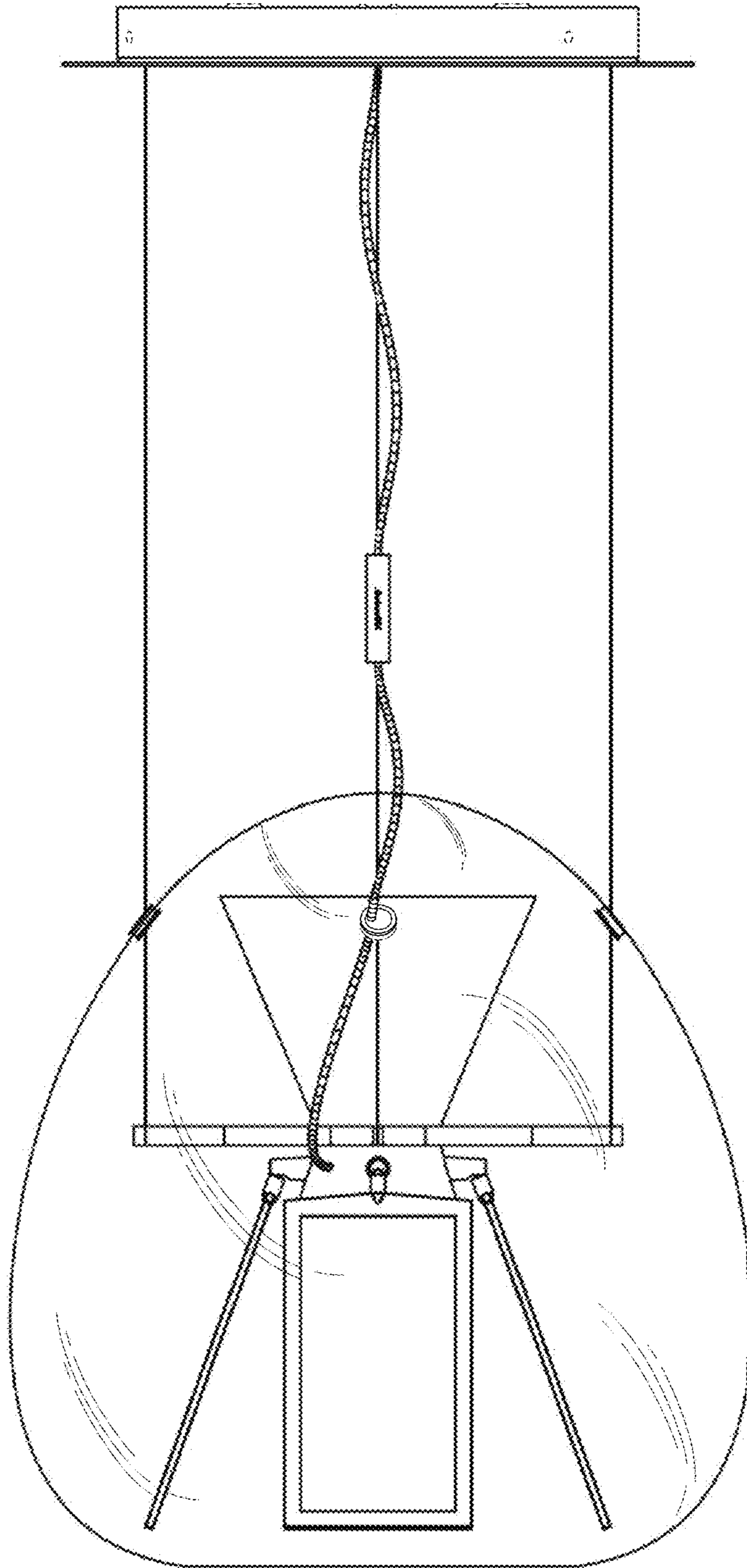


FIG. 1

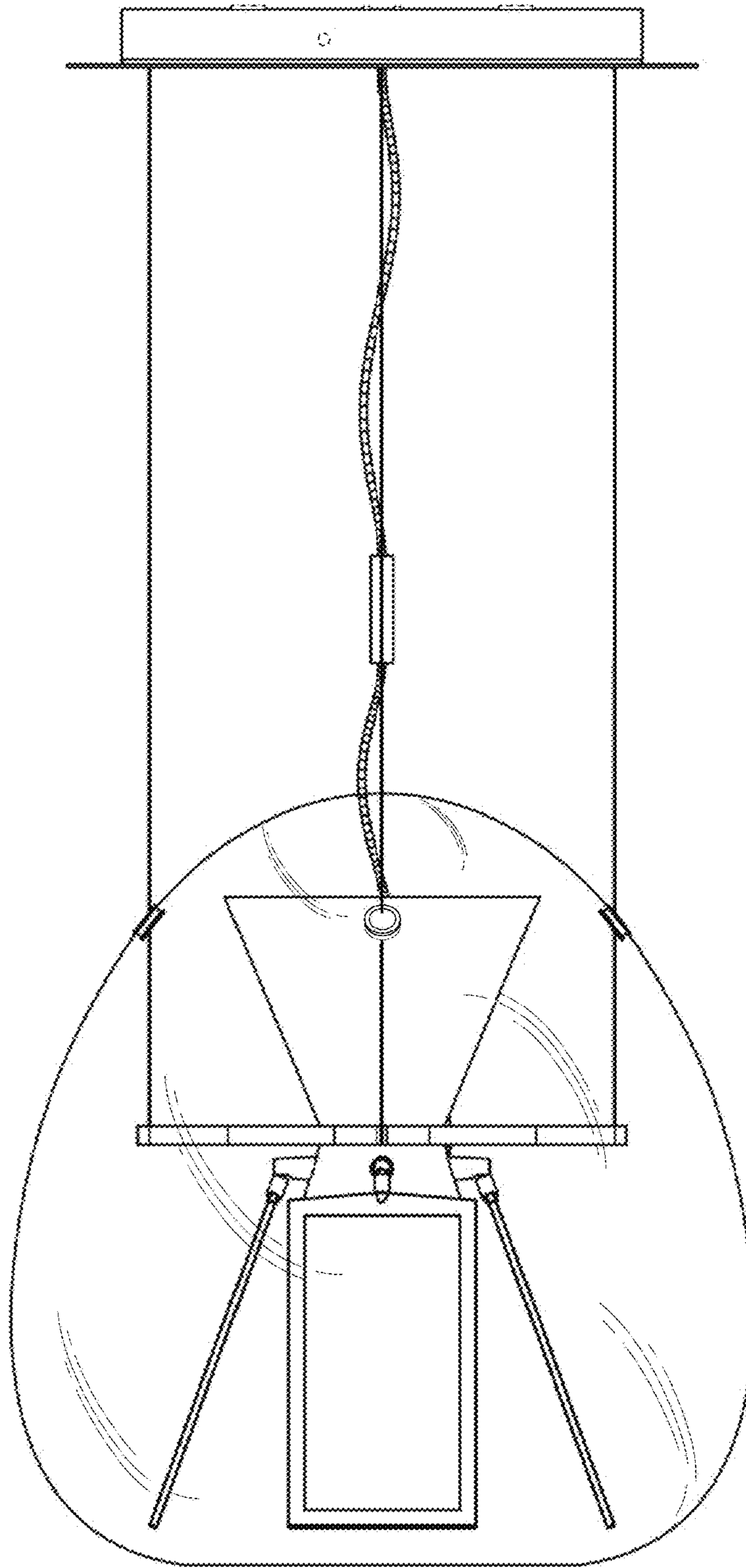


FIG. 2

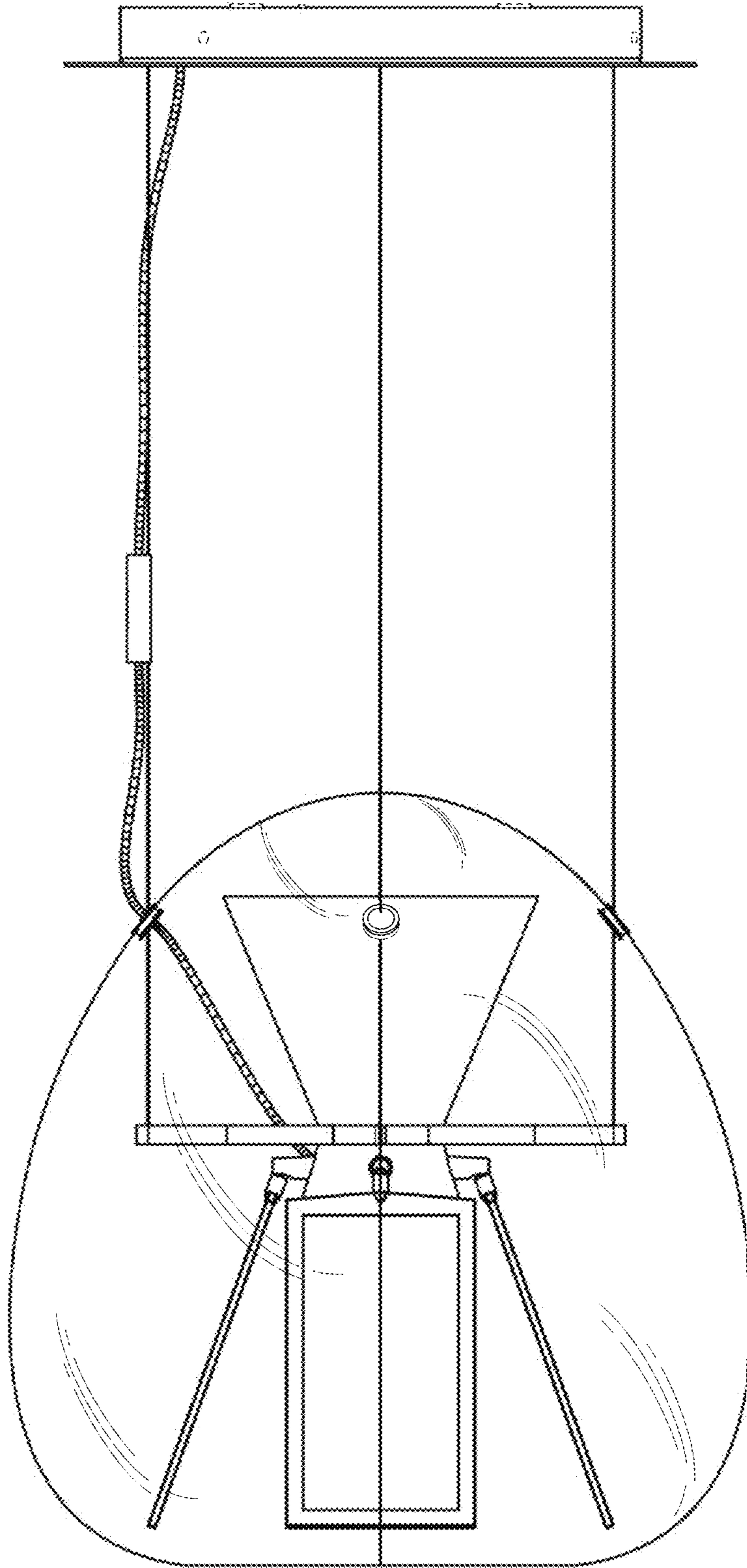


FIG. 3

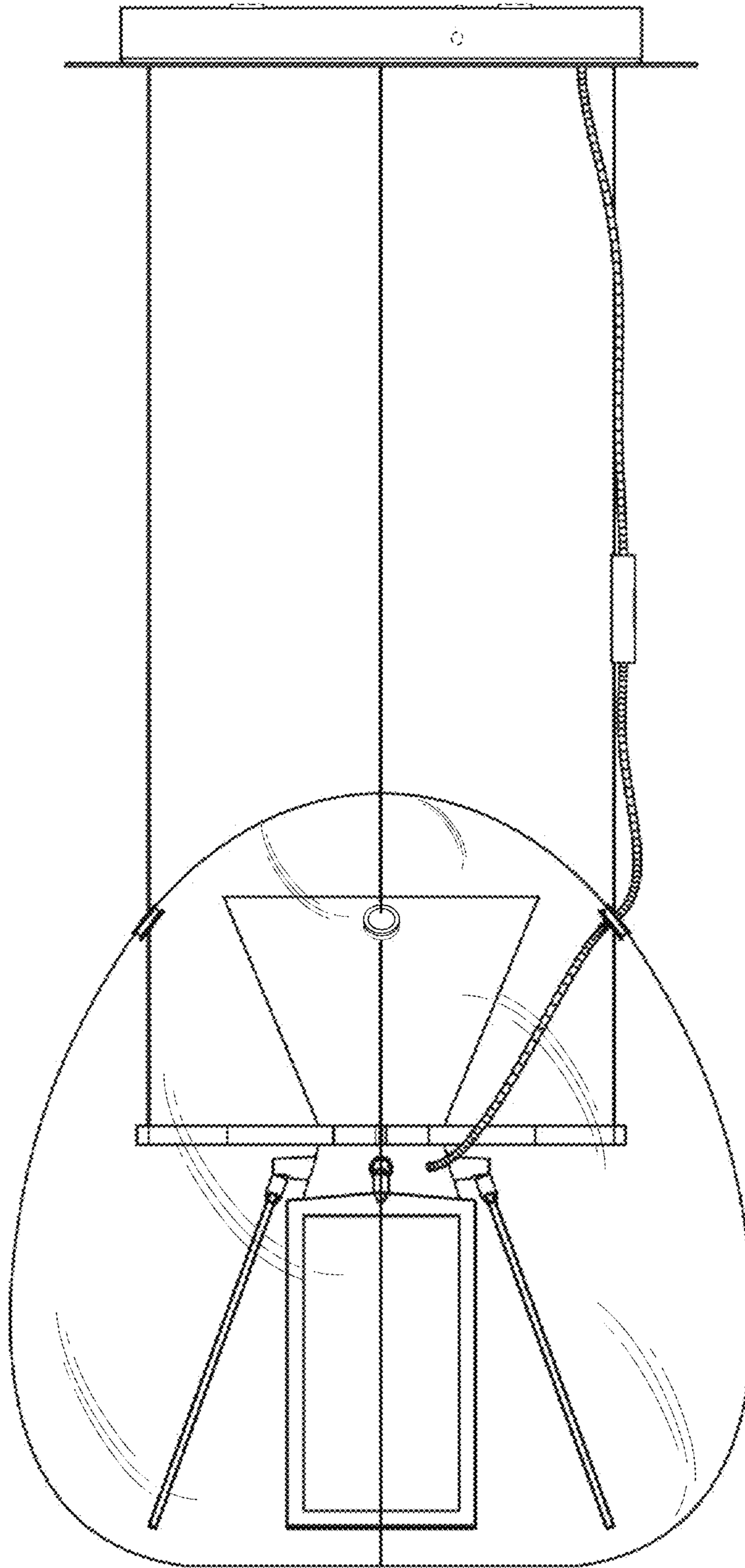


FIG. 4

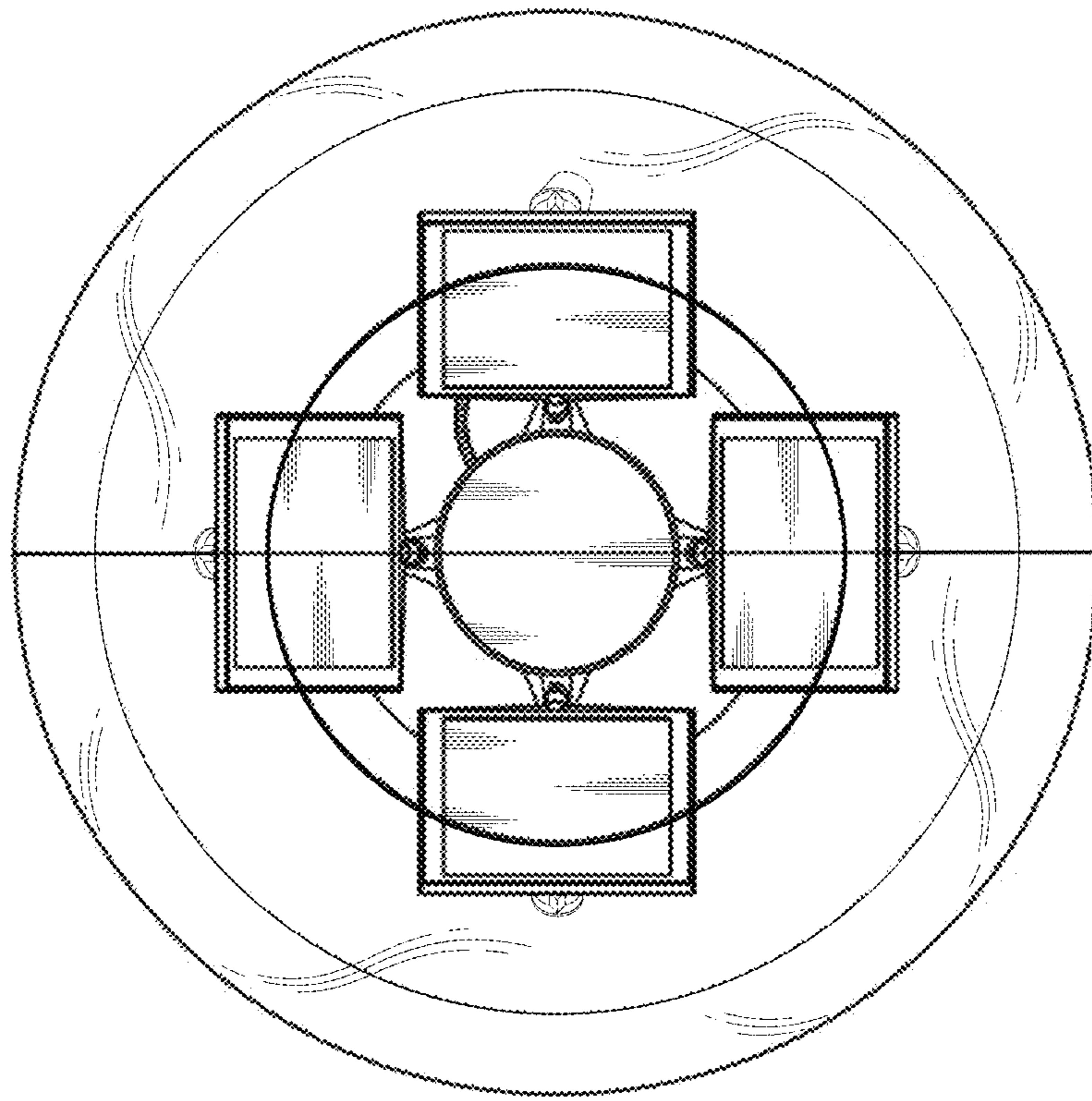


FIG. 5

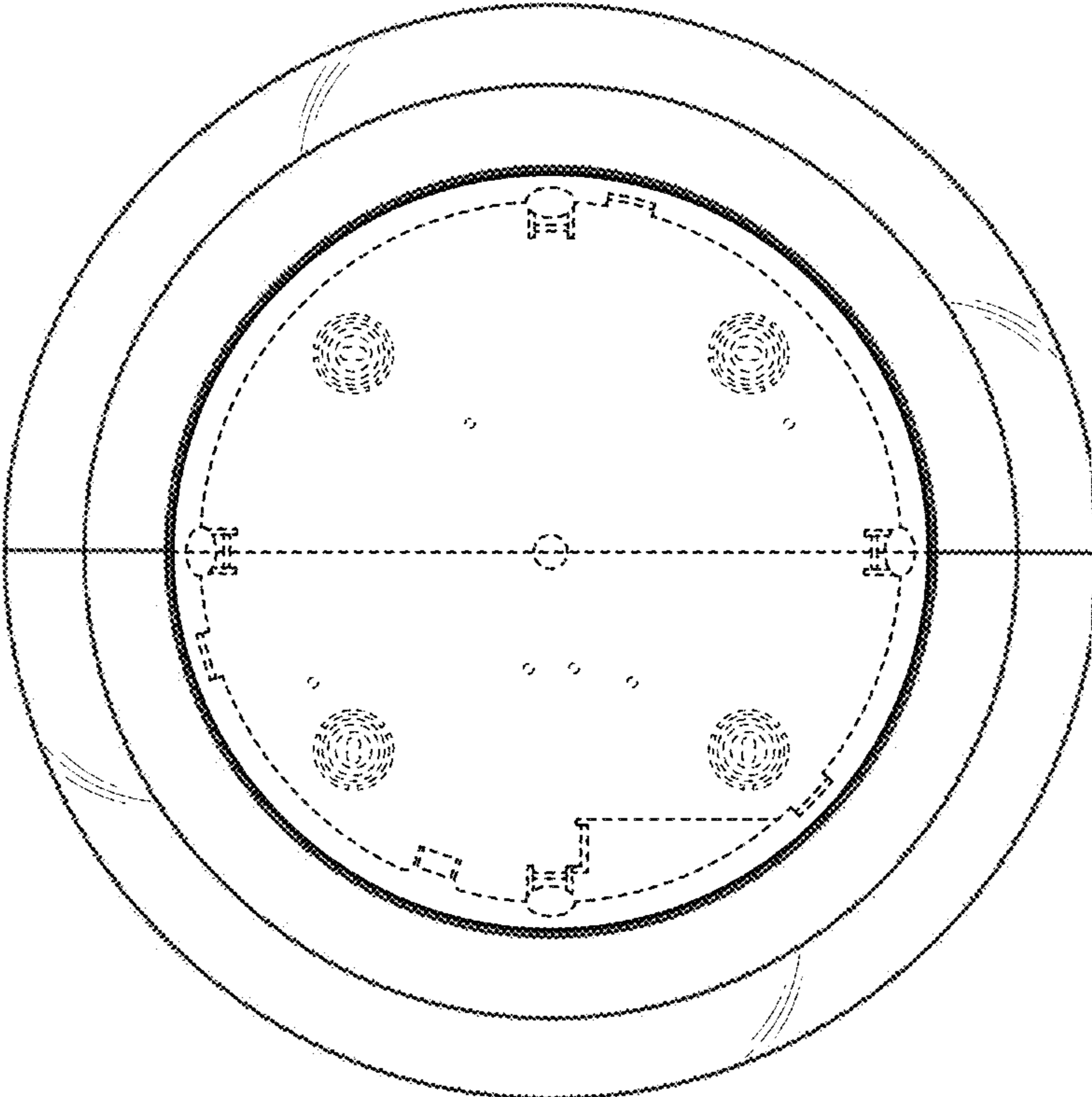


FIG. 6