

US00D865265S

(12) **United States Design Patent**
Lovegrove

(10) **Patent No.:** **US D865,265 S**

(45) **Date of Patent:** **** *Oct. 29, 2019**

(54) **LAMP**

(71) Applicant: **ARTEMIDE S.p.A.**, Milan (IT)

(72) Inventor: **Ross Lovegrove**, Milan (IT)

(73) Assignee: **ARTEMIDE S.P.A.** (IT)

(*) Notice: This patent is subject to a terminal disclaimer.

(**) Term: **15 Years**

(21) Appl. No.: **29/617,309**

(22) Filed: **Sep. 13, 2017**

(30) **Foreign Application Priority Data**

Mar. 13, 2017 (EM) 003796911

(51) **LOC (12) Cl.** **26-03**

(52) **U.S. Cl.**
USPC **D26/86**

(58) **Field of Classification Search**

USPC D26/81-91, 118
CPC F21S 8/06; F21S 8/061; F21S 8/063; F21S
8/065; F21V 5/06

See application file for complete search history.

(56) **References Cited**

U.S. PATENT DOCUMENTS

452,701 A * 5/1891 Gartner et al. F21V 17/02
362/283
7,997,768 B2 * 8/2011 Zheng F21S 8/06
362/294

D659,885 S *	5/2012	Holder	D26/88
D659,887 S *	5/2012	Holder	D26/88
D681,252 S *	4/2013	Graham	D26/73
D681,256 S *	4/2013	Chilton	D26/88
D681,257 S *	4/2013	Van Strander	D26/118
D688,407 S *	8/2013	Renning	D26/88
D703,365 S *	4/2014	Martin	D26/88
D723,207 S *	2/2015	Wegrzyn	D26/73
D805,676 S *	12/2017	Piano	D26/88
D833,054 S *	11/2018	Lovegrove	D26/84
2012/0300436 A1 *	11/2012	Hackett	F21S 9/037 362/127
2013/0070949 A1 *	3/2013	Fukuma	H04R 1/40 381/336
2014/0268766 A1 *	9/2014	Lu	F21V 21/30 362/249.1

* cited by examiner

Primary Examiner — Clare E Heflin

(74) *Attorney, Agent, or Firm* — The Belles Group, P.C.

(57) **CLAIM**

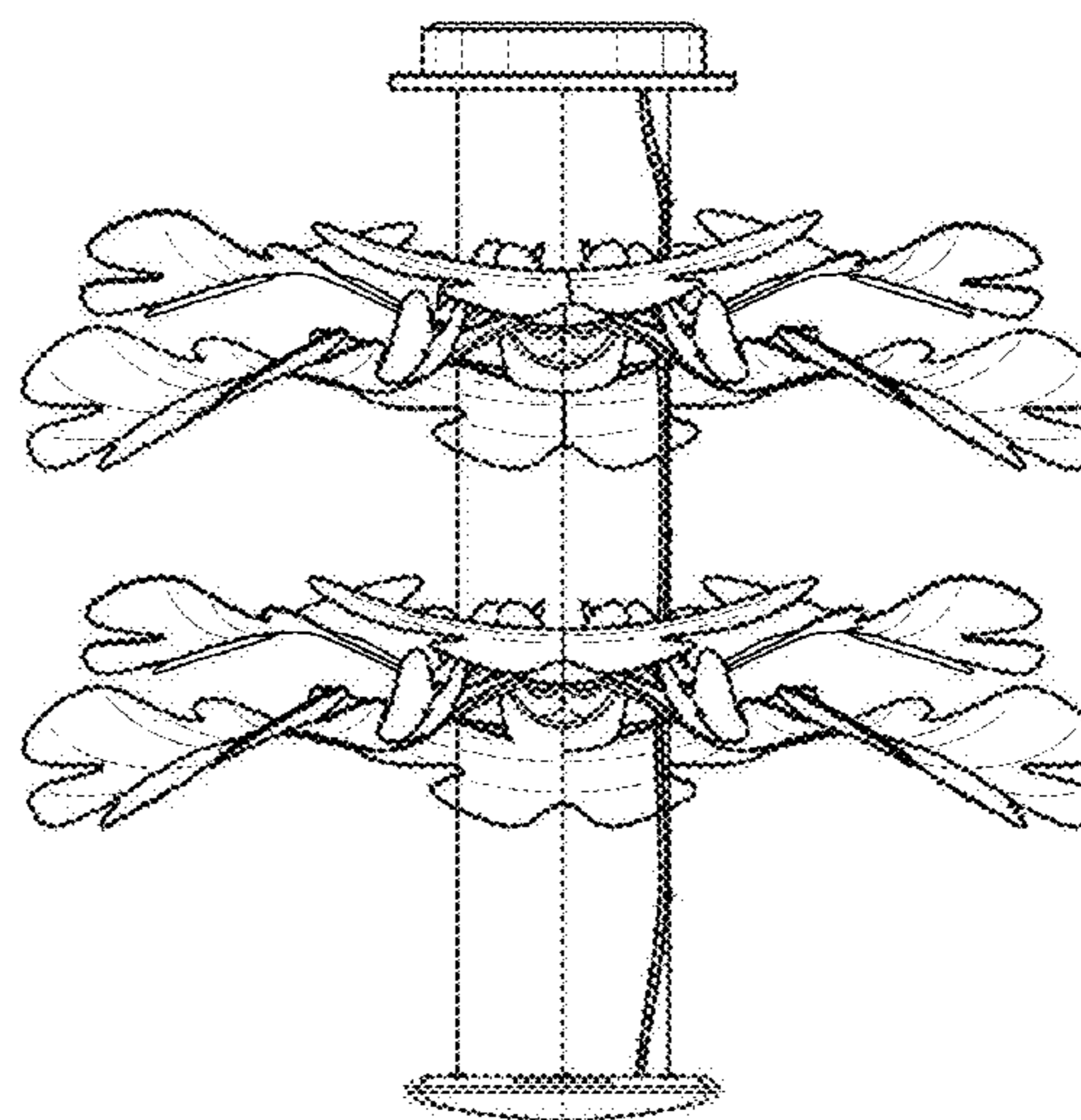
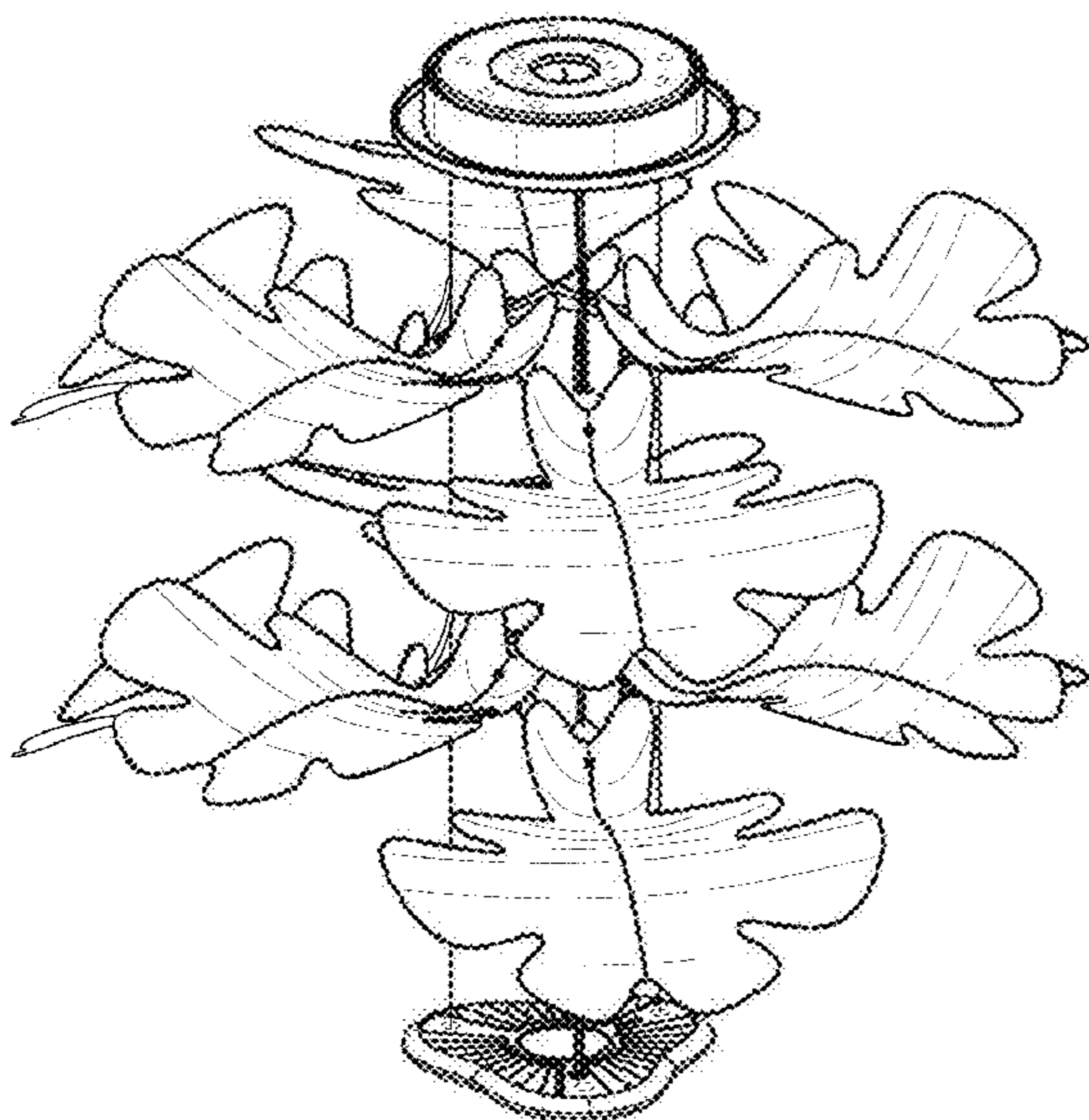
The ornamental design for a lamp, as shown and described.

DESCRIPTION

FIG. 1 is a front perspective view of a lamp in accordance with the present design;
FIG. 2 is a front view thereof;
FIG. 3 is a rear view thereof;
FIG. 4 is a left-side view thereof;
FIG. 5 is a right-side view thereof;
FIG. 6 is a bottom view thereof; and,
FIG. 7 is a top view thereof.

The broken lines in the drawings show portions of the lamp that form no part of the claimed design.

1 Claim, 7 Drawing Sheets



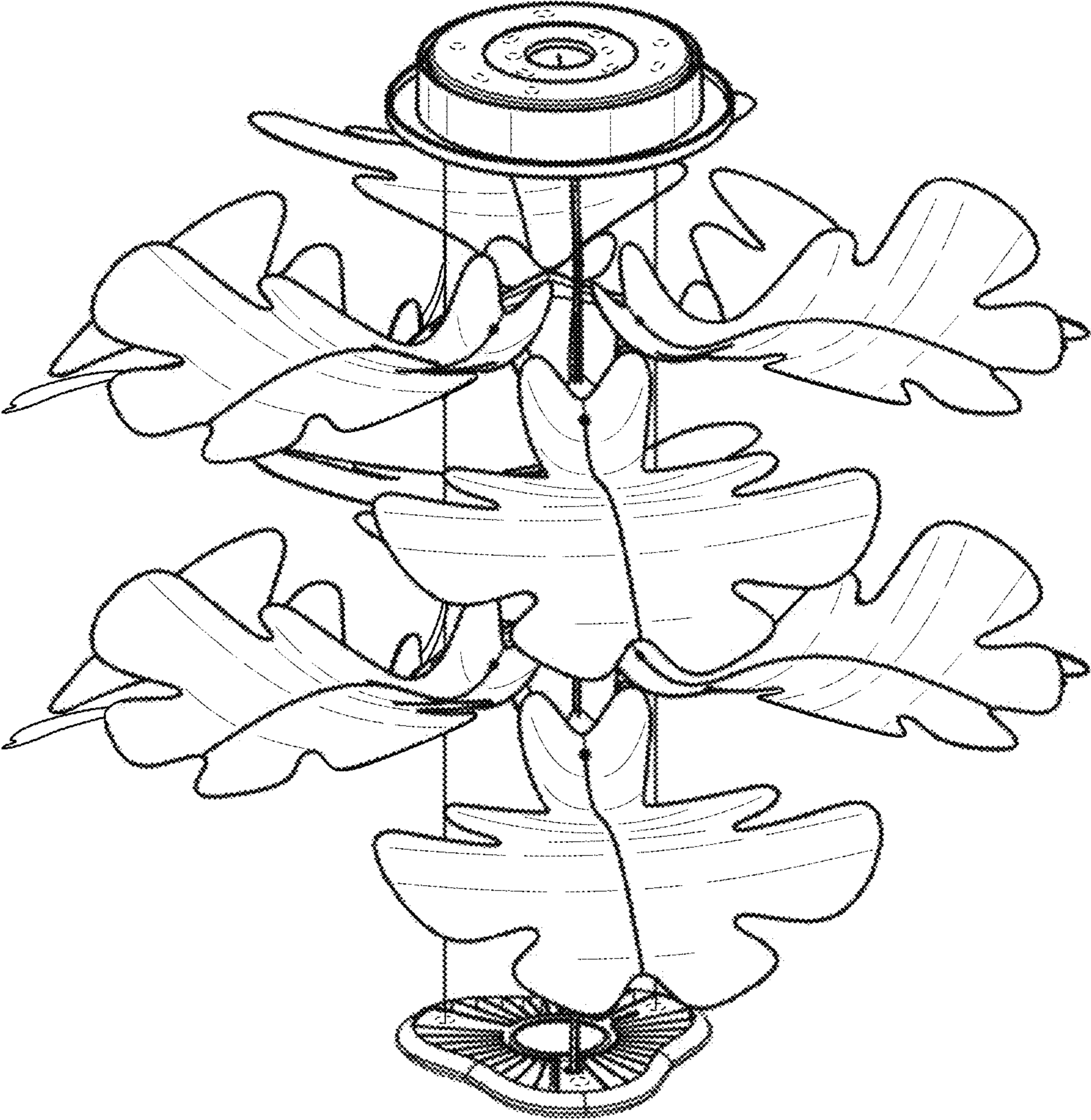


FIG. 1

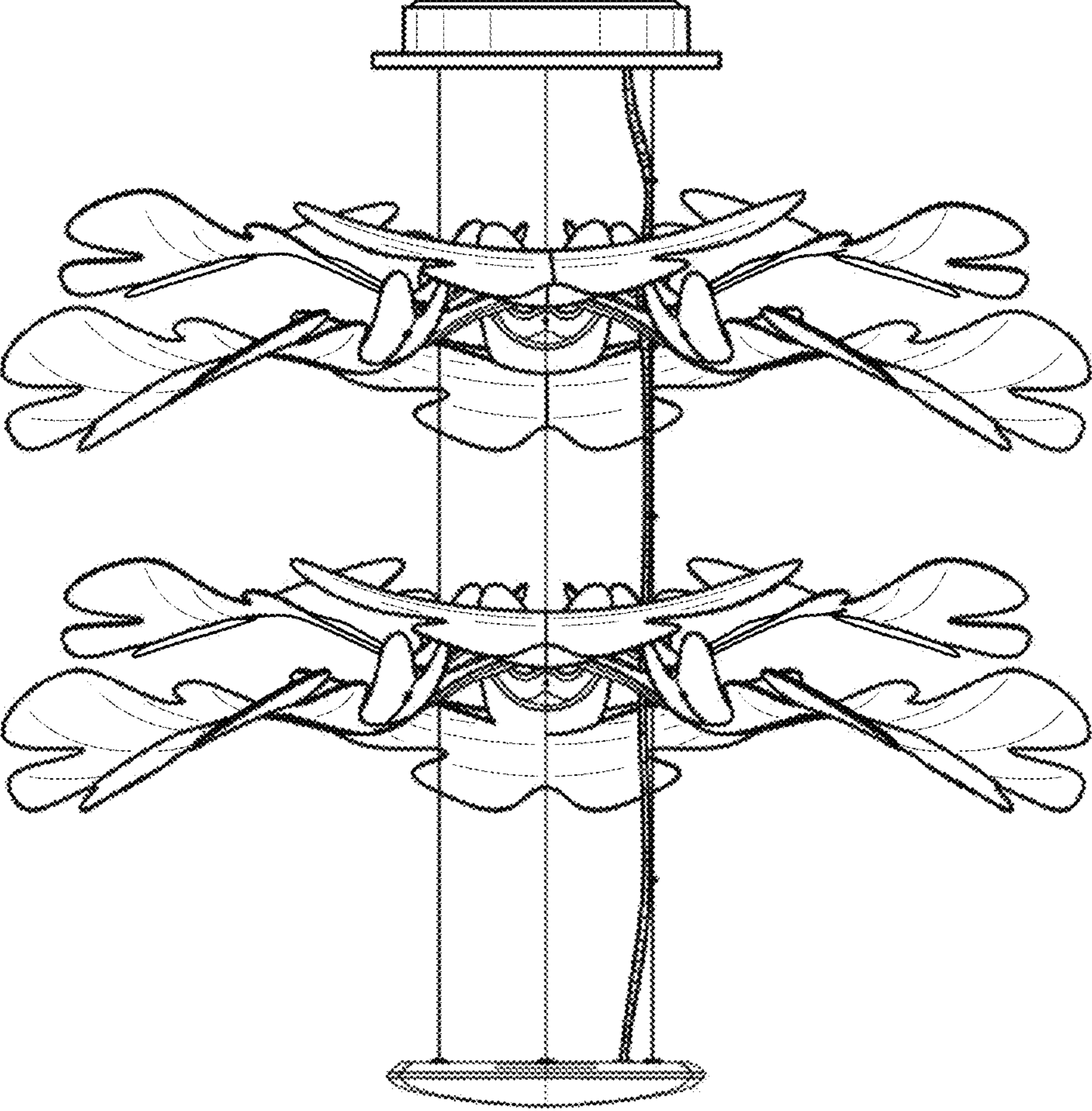


FIG. 2

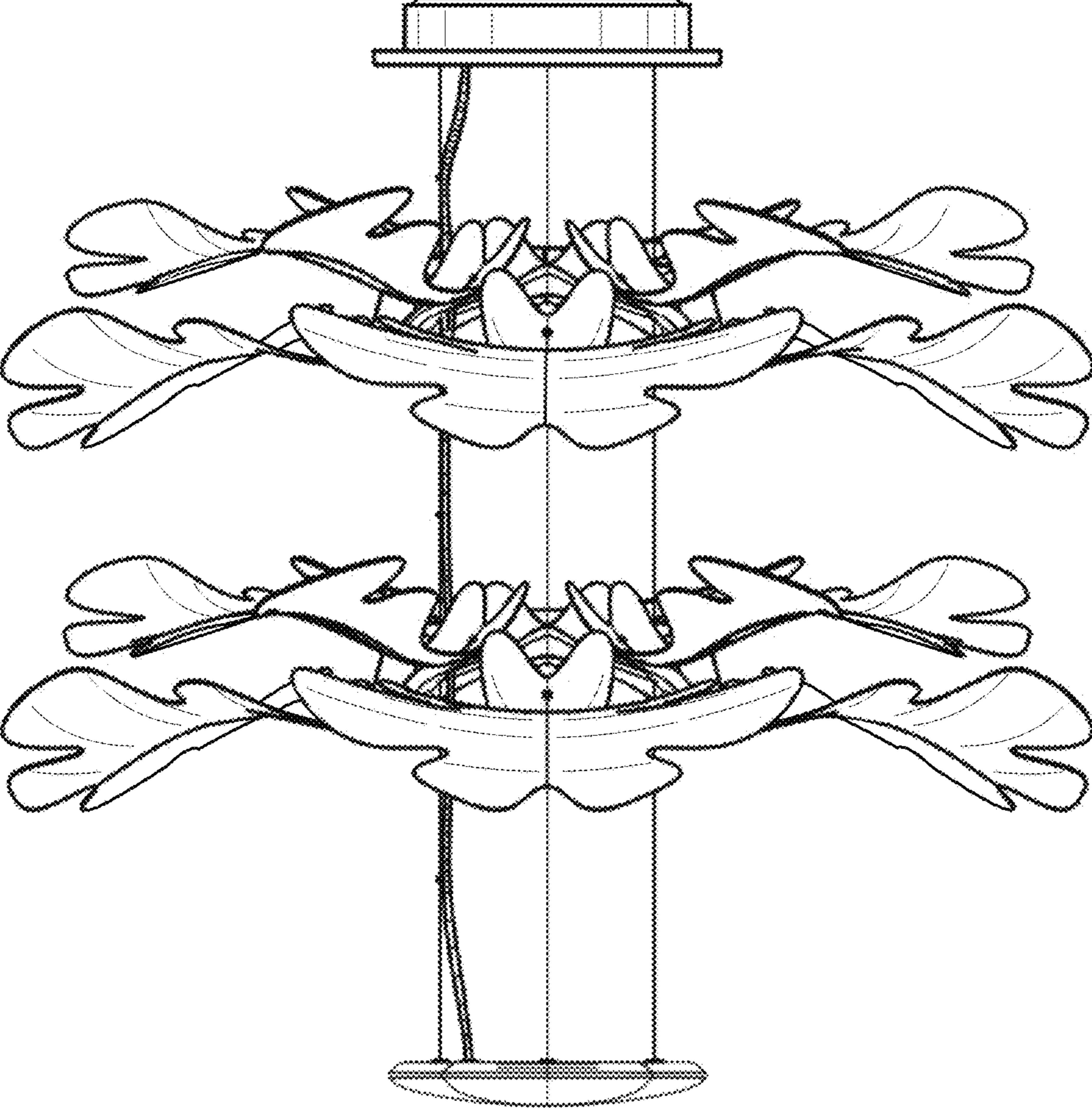


FIG. 3

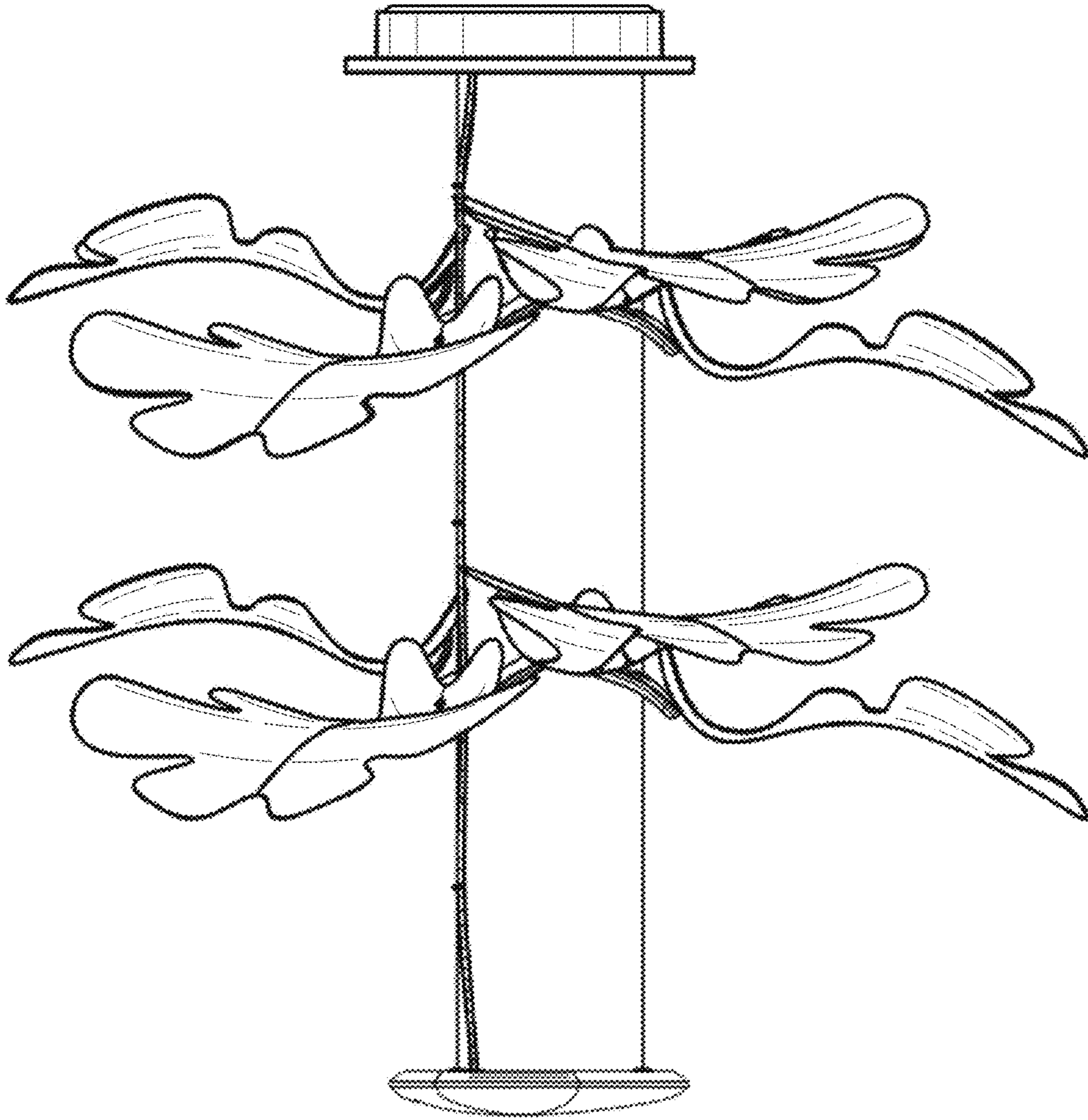


FIG. 4

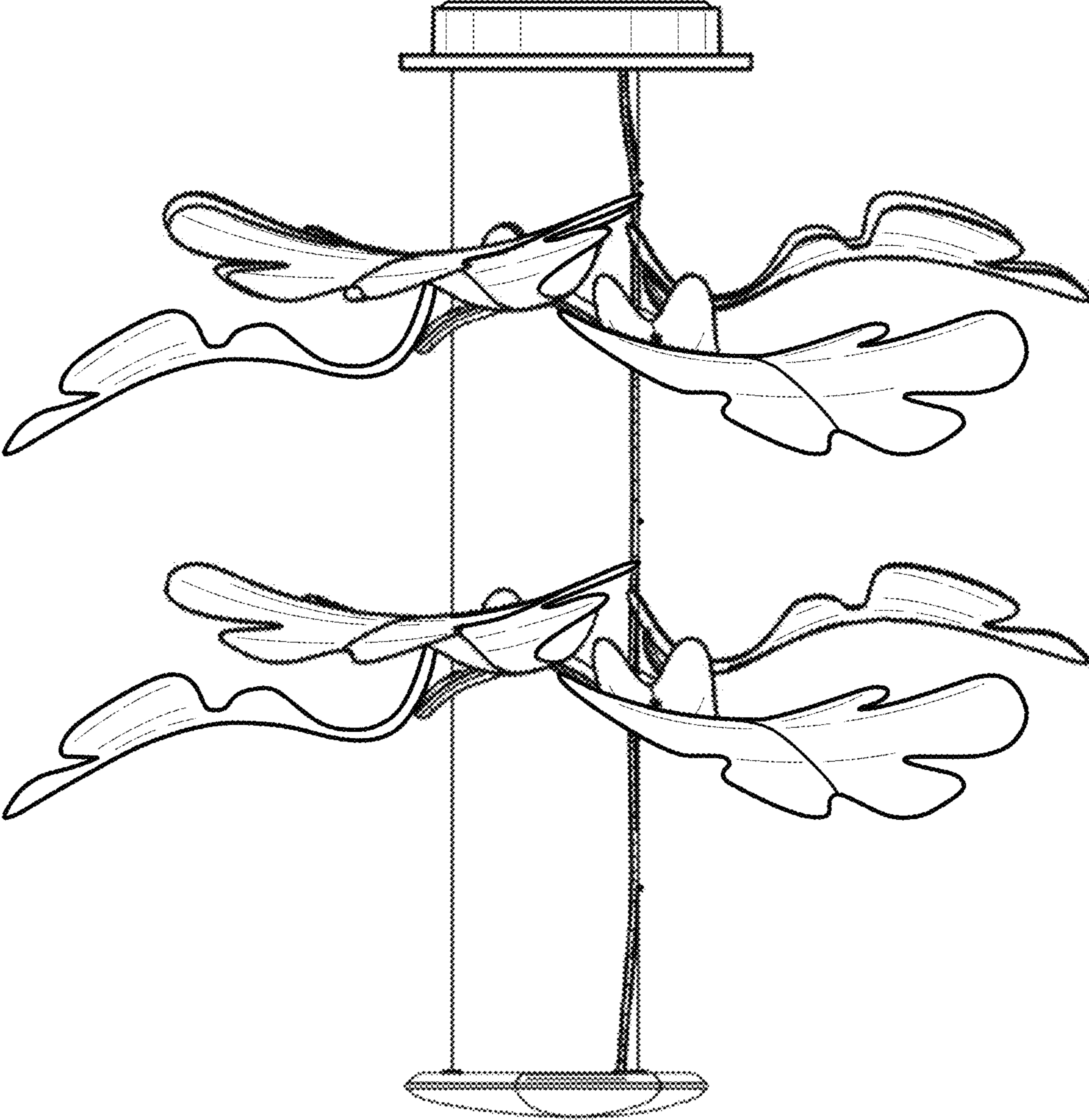


FIG. 5

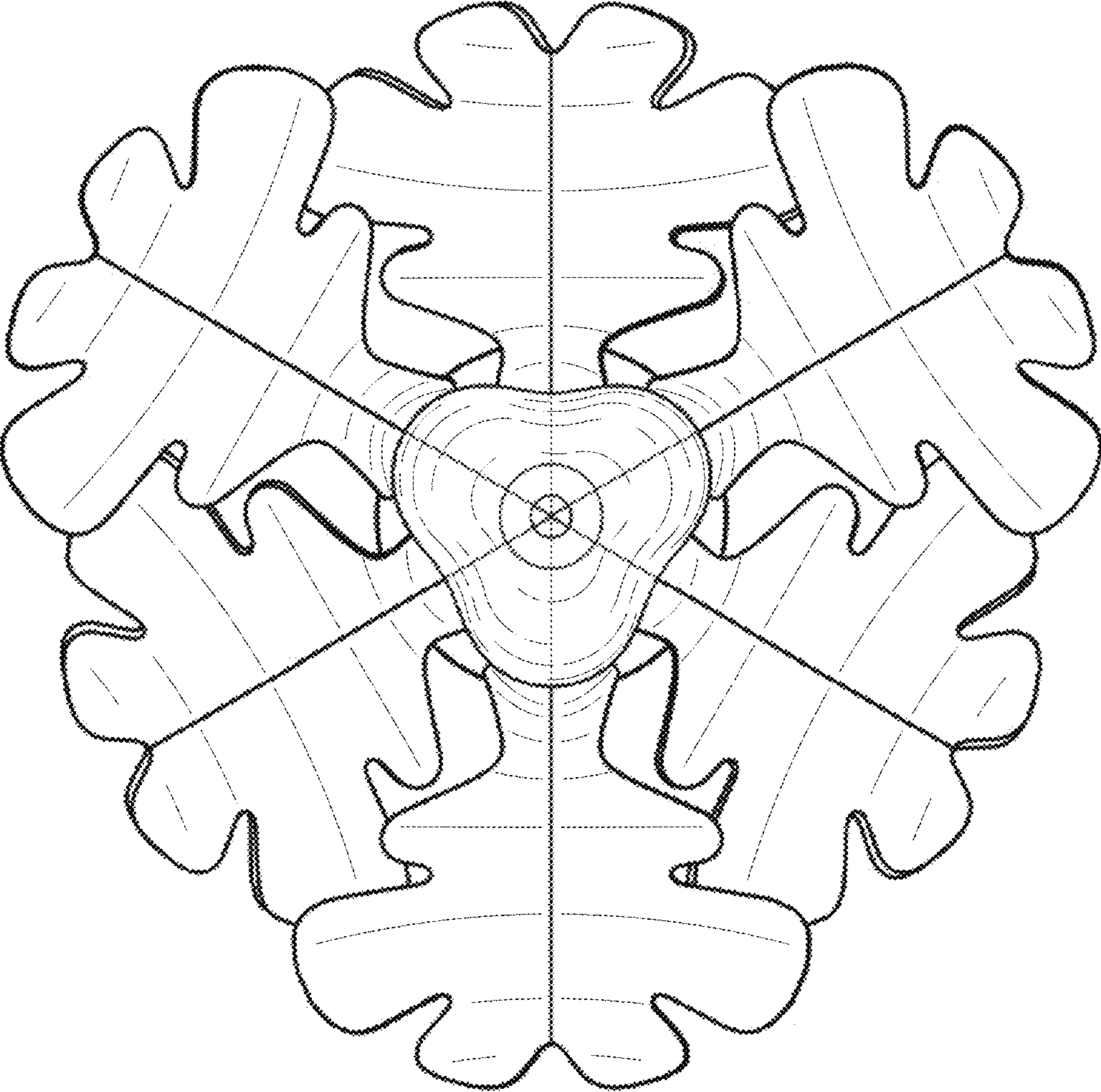


FIG. 6

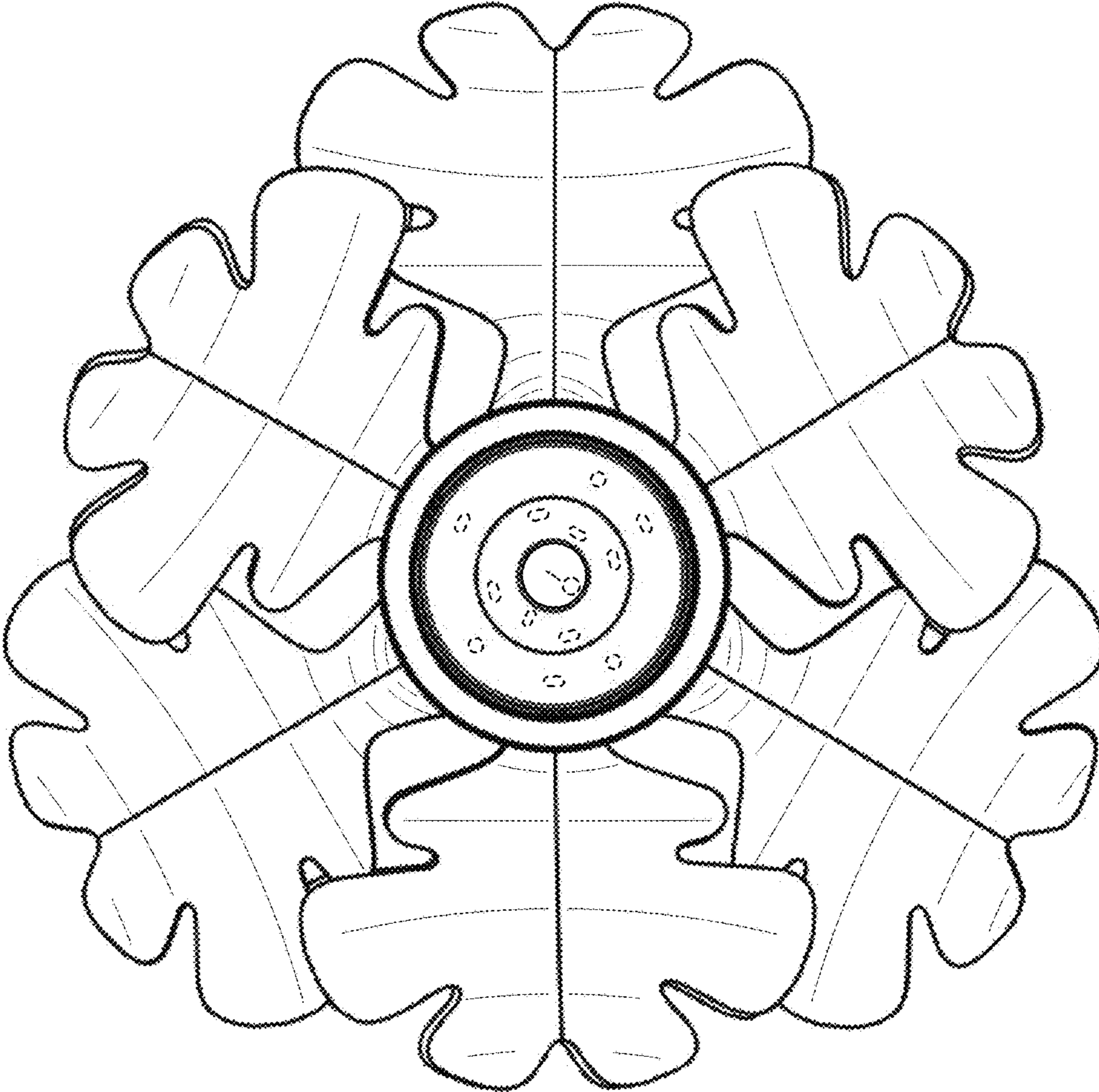


FIG. 7