



US00D865264S

(12) **United States Design Patent**
Wu

(10) **Patent No.:** **US D865,264 S**

(45) **Date of Patent:** **** Oct. 29, 2019**

(54) **DIAMOND-SHAPED SOLAR LIGHT**

(71) Applicant: **Xiaoling Wu**, Zhejiang (CN)

(72) Inventor: **Xiaoling Wu**, Zhejiang (CN)

(73) Assignee: **Ningbo Joining Electronic Technology Co., Ltd**, Ningbo

(**) Term: **15 Years**

(21) Appl. No.: **29/654,840**

(22) Filed: **Jun. 28, 2018**

(51) **LOC (12) Cl.** **26-03**

(52) **U.S. Cl.**
USPC **D26/85**

(58) **Field of Classification Search**
USPC D26/72, 80, 85, 89; D10/106.6, 106.8
CPC F21S 8/03; F21S 8/033; F21S 8/036; F21S
8/037; F21S 9/022; F21S 9/024; F21S
9/03; F21S 9/035; F21S 9/037; F21W
2131/107; G08B 13/193
See application file for complete search history.

(56) **References Cited**

U.S. PATENT DOCUMENTS

D77,408 S *	1/1929	Hall, Jr.	D26/85
D236,647 S *	9/1975	Stewart	F21S 8/033
				D26/85
4,015,163 A *	3/1977	Iacobelli	F21S 8/033
				312/238
D284,109 S *	6/1986	Seal, Jr.	F21S 8/033
				D26/85
D394,124 S *	5/1998	MacKert	D26/85
D589,200 S *	3/2009	Sabernig	D26/85
D816,880 S *	5/2018	Mou	D26/85
D822,874 S *	7/2018	Hu	D26/85
D835,830 S *	12/2018	Liu	D26/85

D844,213 S *	3/2019	Liu	D26/85
D848,658 S *	5/2019	Tan	D26/85
2017/0321877 A1 *	11/2017	Polidoro	F21S 8/033

OTHER PUBLICATIONS

Diamond Shape Solar Lights 32 LED PIR Motion Sensor Lamp Security Lighting Wall Scones Solar Powered Motion Activated Wireless Waterproof Auto On/Off Outdoors for Patio Yard Garden Garage by Much. Available at amazon.com Nov. 16, 2018. (Year: 2018).*

6 LEDs Diamond Shaped Outdoor Solar Powered Pir Motion Sensor Light Security Wall Lamp with 2 Levels Brightness by Lixada . Model # QBA1164649798912XM. Available at amazon.com Apr. 20, 2016. (Year: 2016).*

Solar Motion Lights Outdoor Solar Motion Sensor LED Light 3 Sides Diamond Shape Garden Lamp by BRIGHTRIC. Available at amazon.com Mar. 9, 2019. (Year: 2019).*

Wireless Outdoor Solar Led Wall Light Triangle Shape With 3 Side Illumination Model #K055 from ledsolarsensorlight.com visited Jun. 19, 2019. (Year: 2019).*

* cited by examiner

Primary Examiner — Clare E Heflin

(57) **CLAIM**

The ornamental design for a diamond-shaped solar light, as shown and described.

DESCRIPTION

FIG. 1 is a perspective view of a diamond-shaped solar light showing my new design;

FIG. 2 is a perspective view thereof;

FIG. 3 is a front side view thereof;

FIG. 4 is a rear side view thereof;

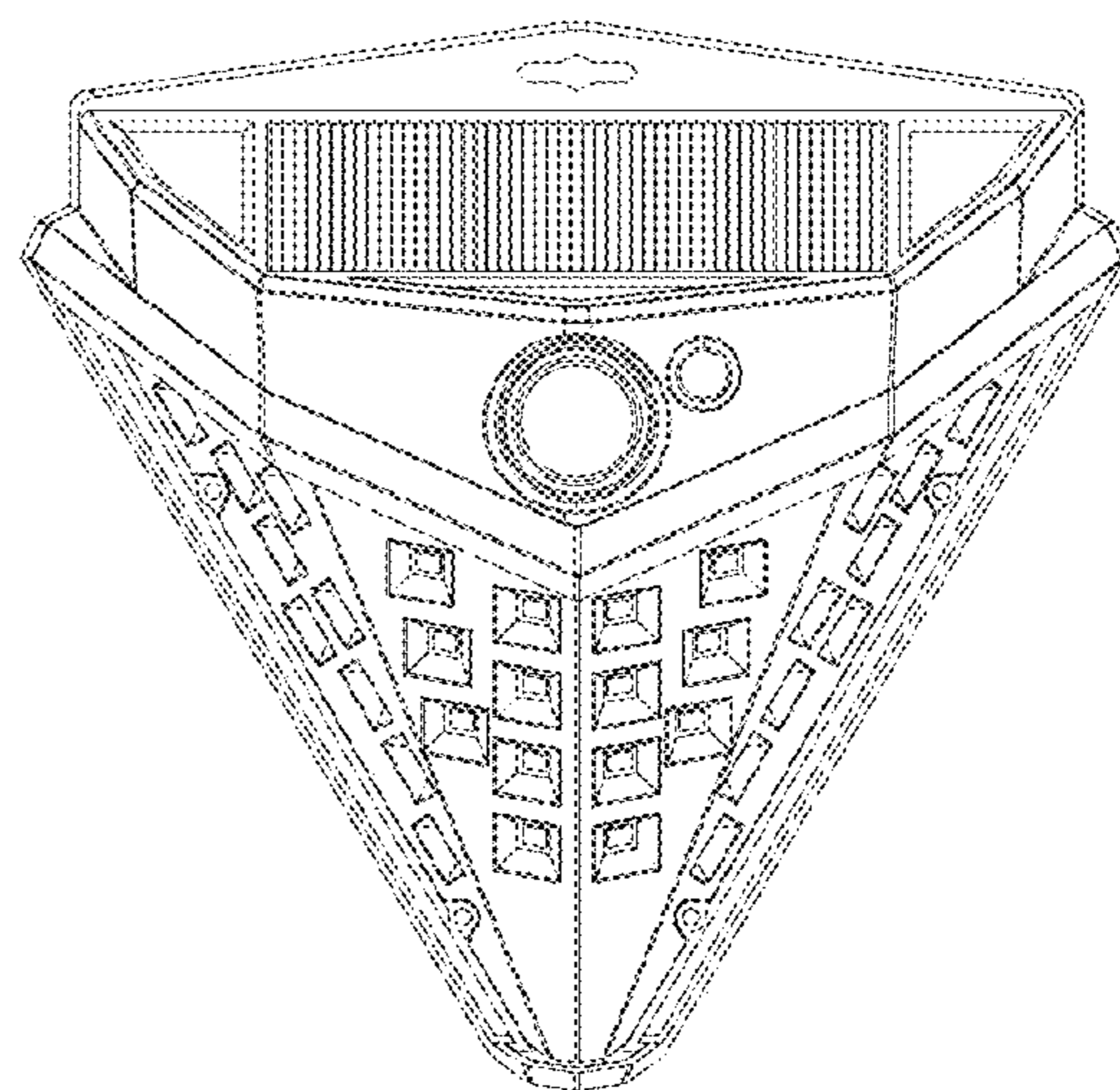
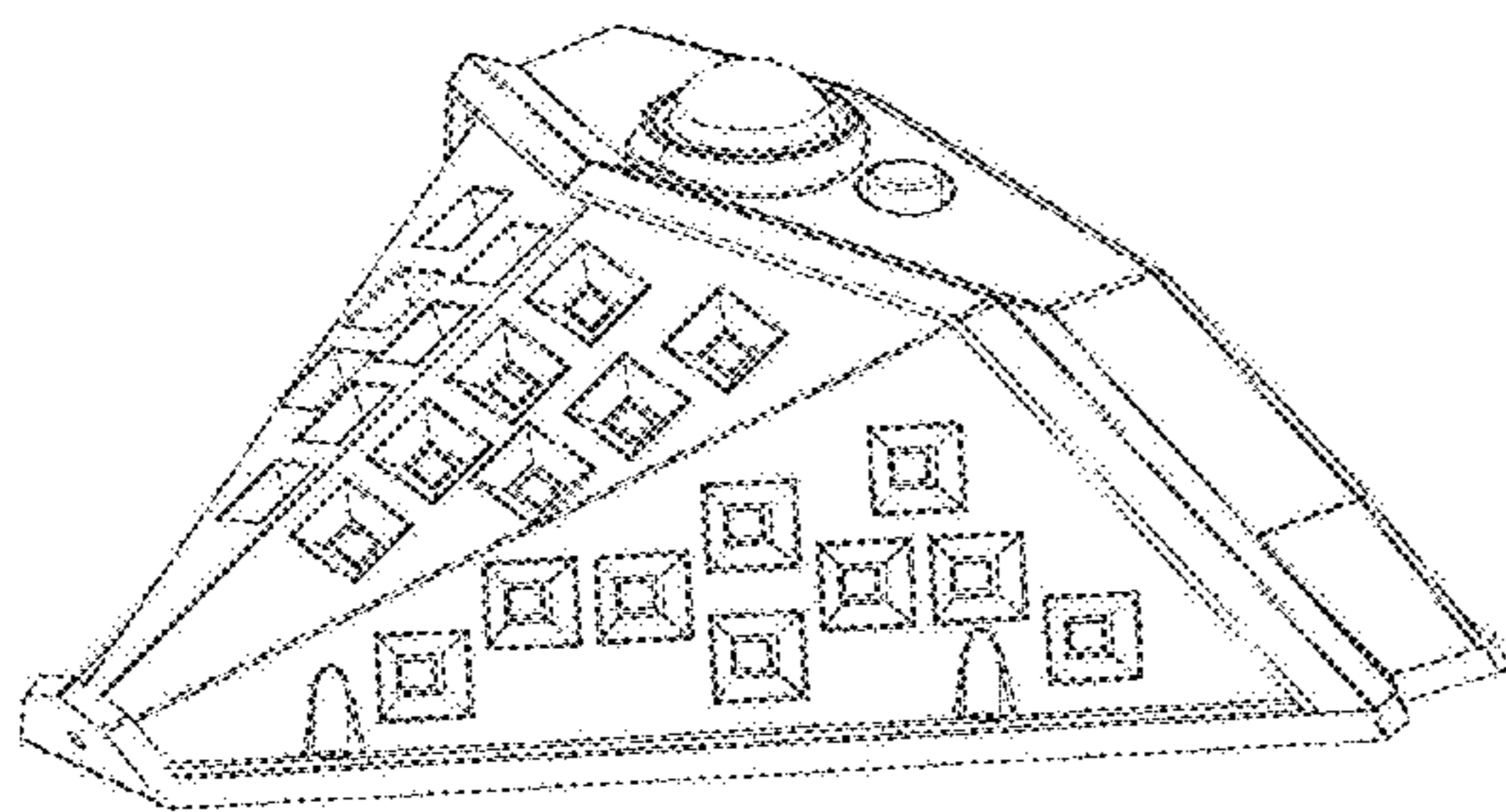
FIG. 5 is a right side view thereof;

FIG. 6 is a left side view thereof;

FIG. 7 is a bottom plan view thereof; and,

FIG. 8 is a top plan view thereof.

1 Claim, 7 Drawing Sheets



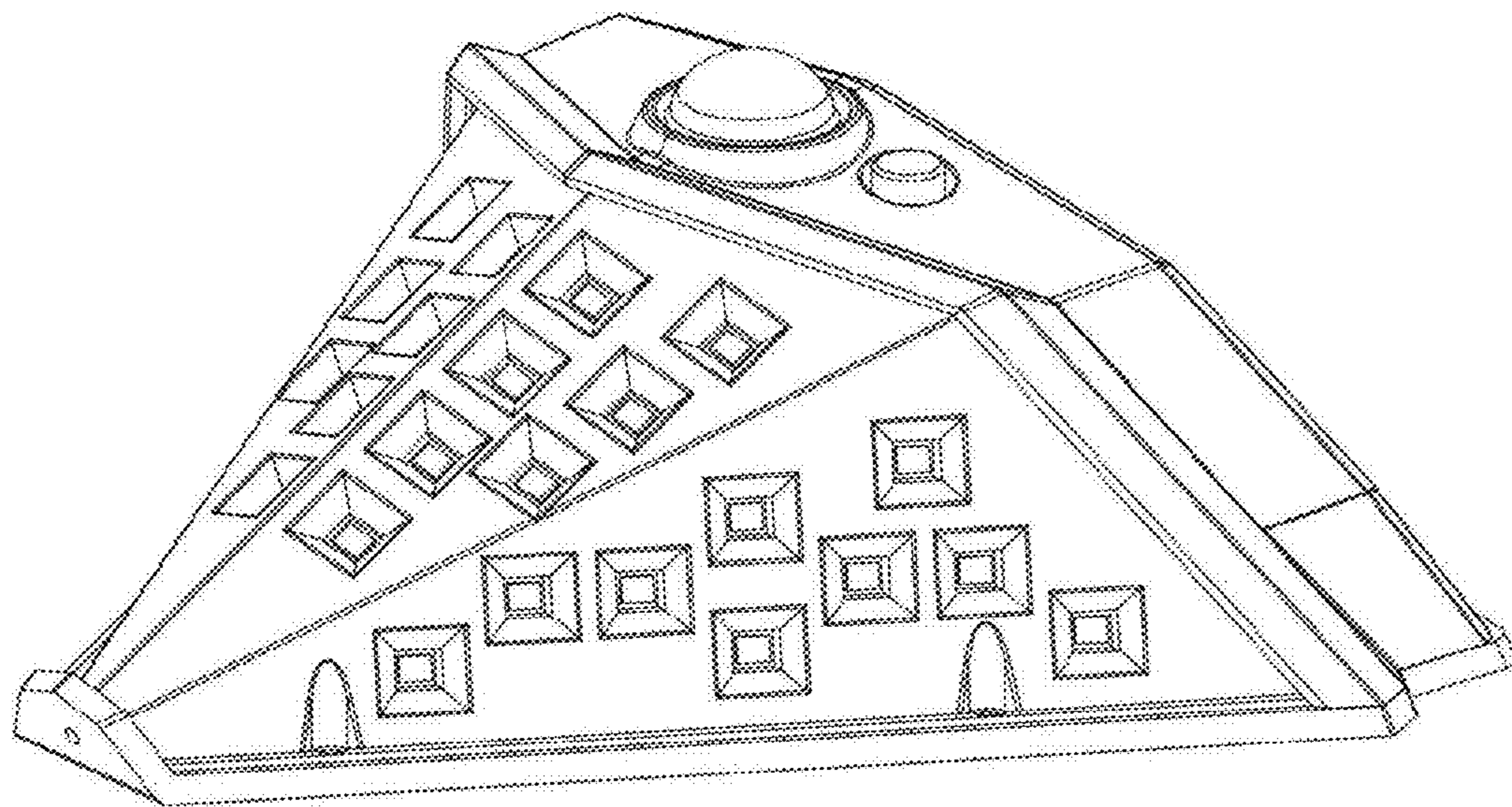


FIG. 1

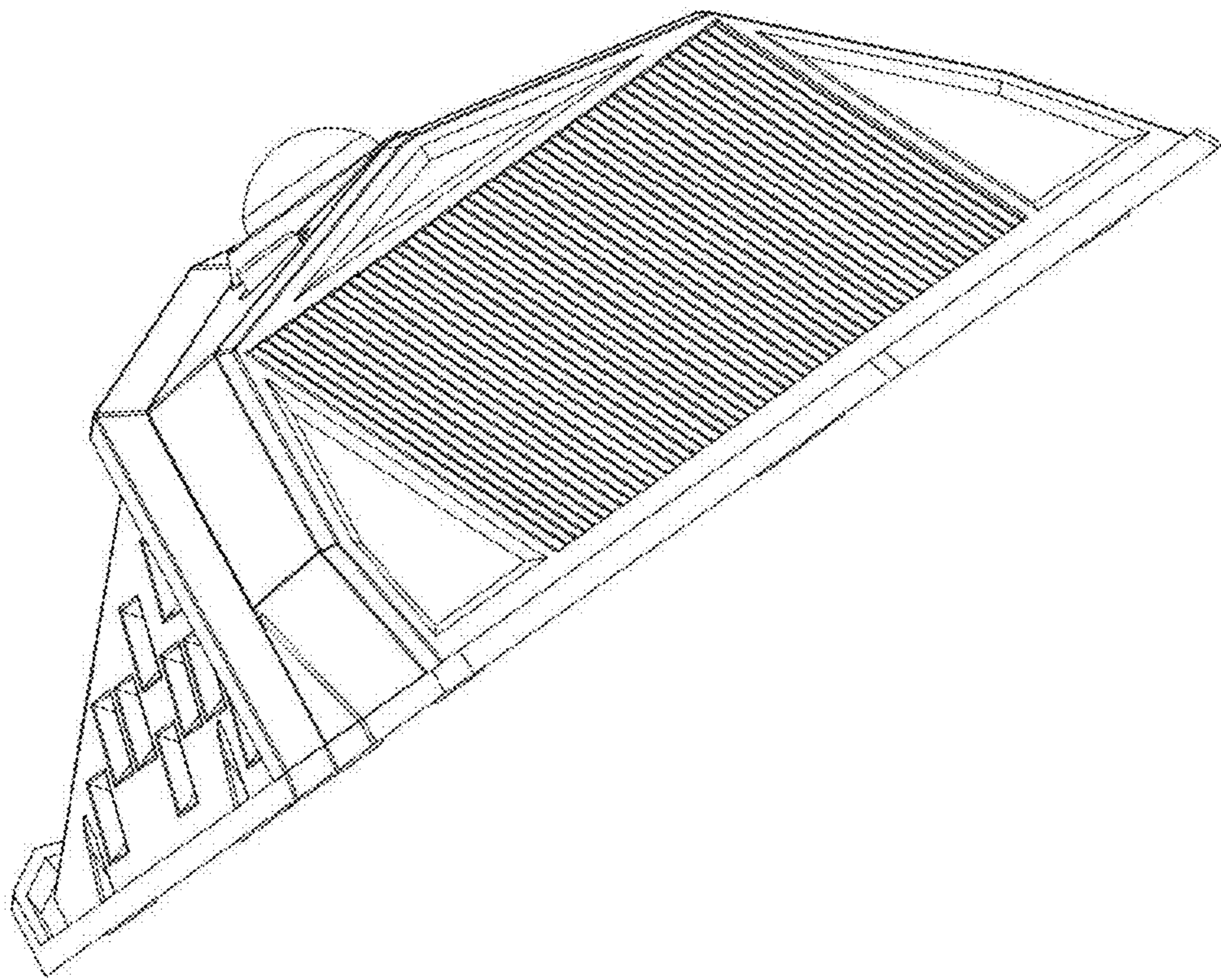


FIG. 2

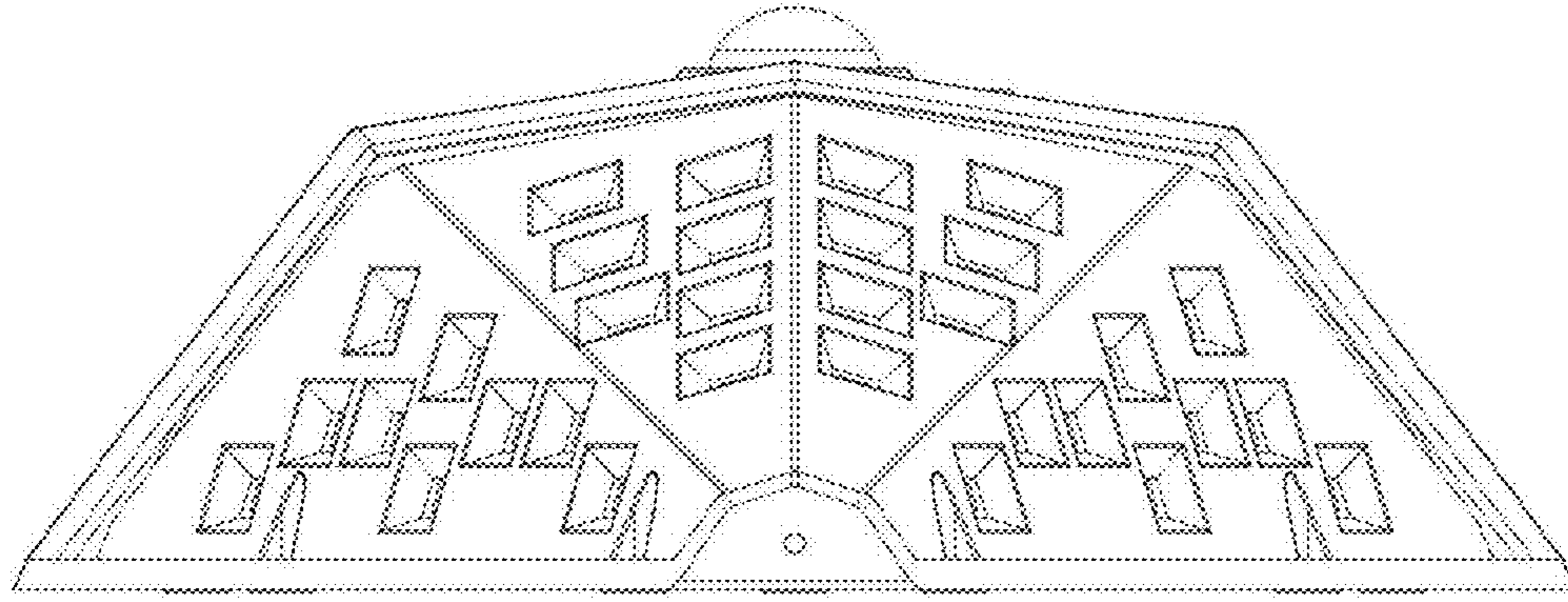


FIG. 3

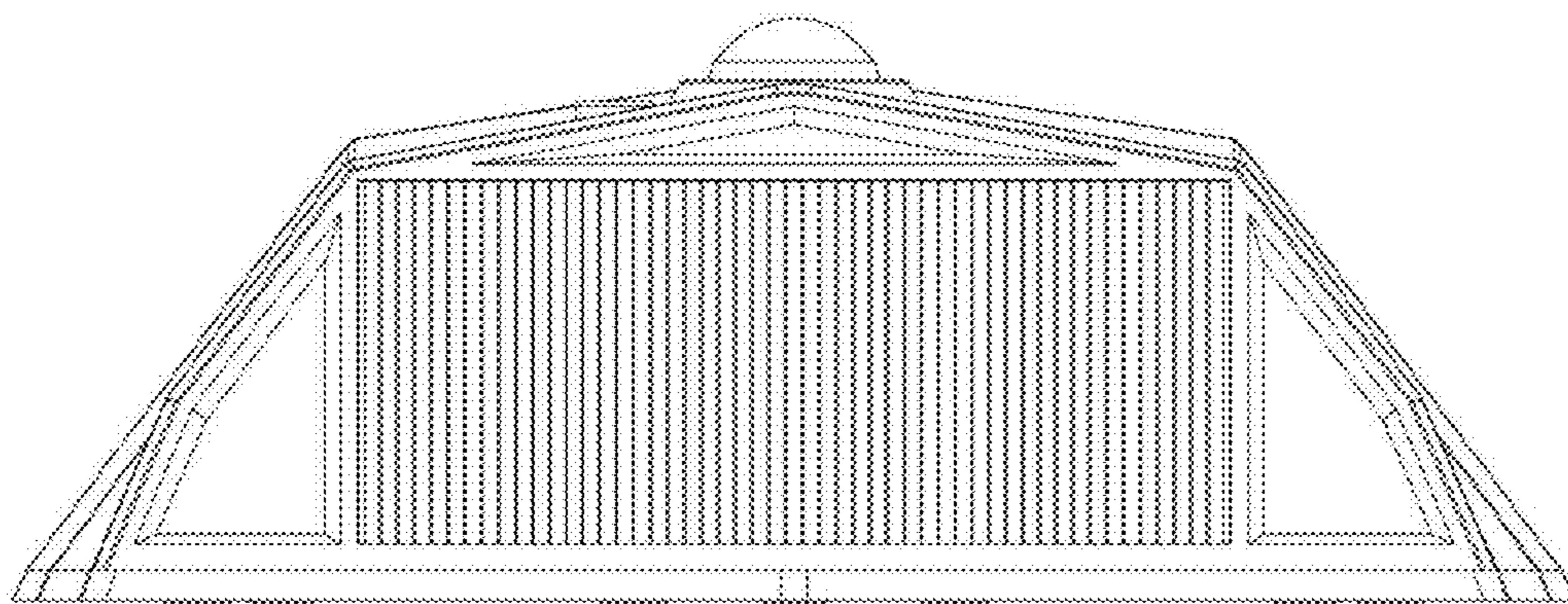


FIG. 4

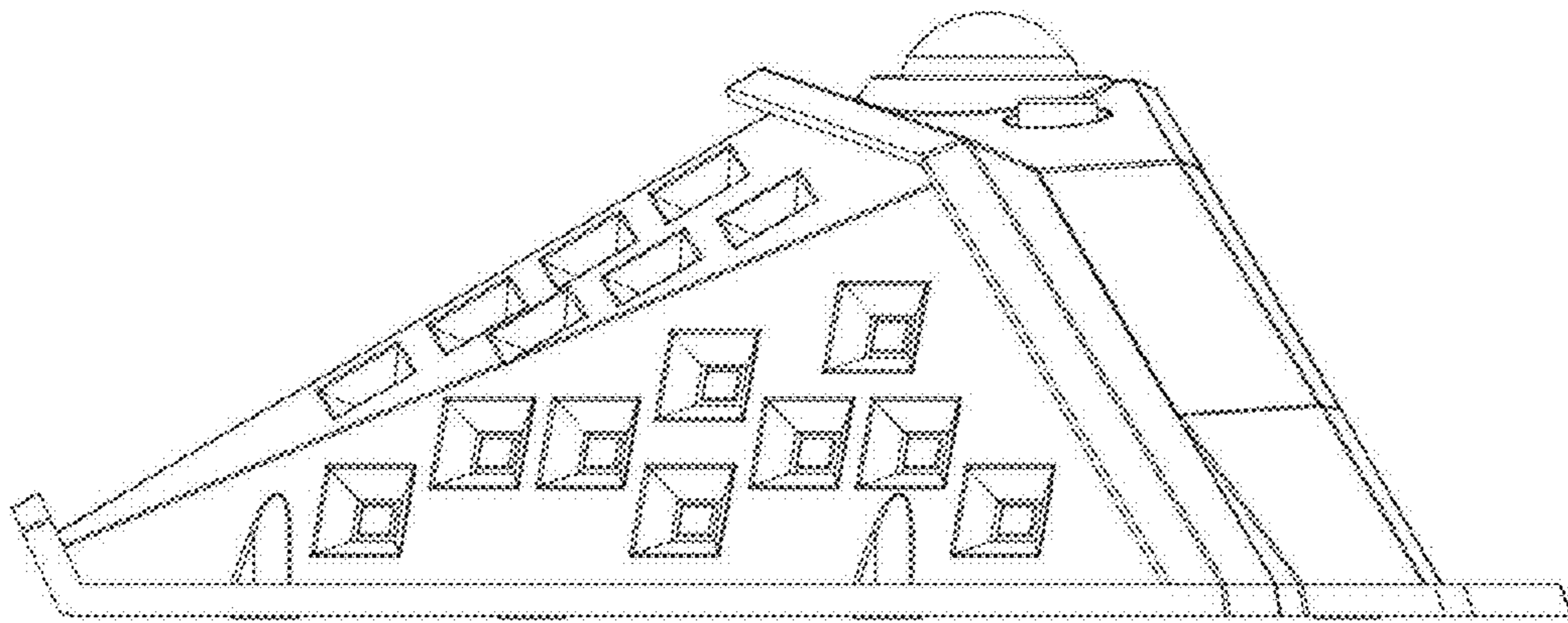


FIG. 5

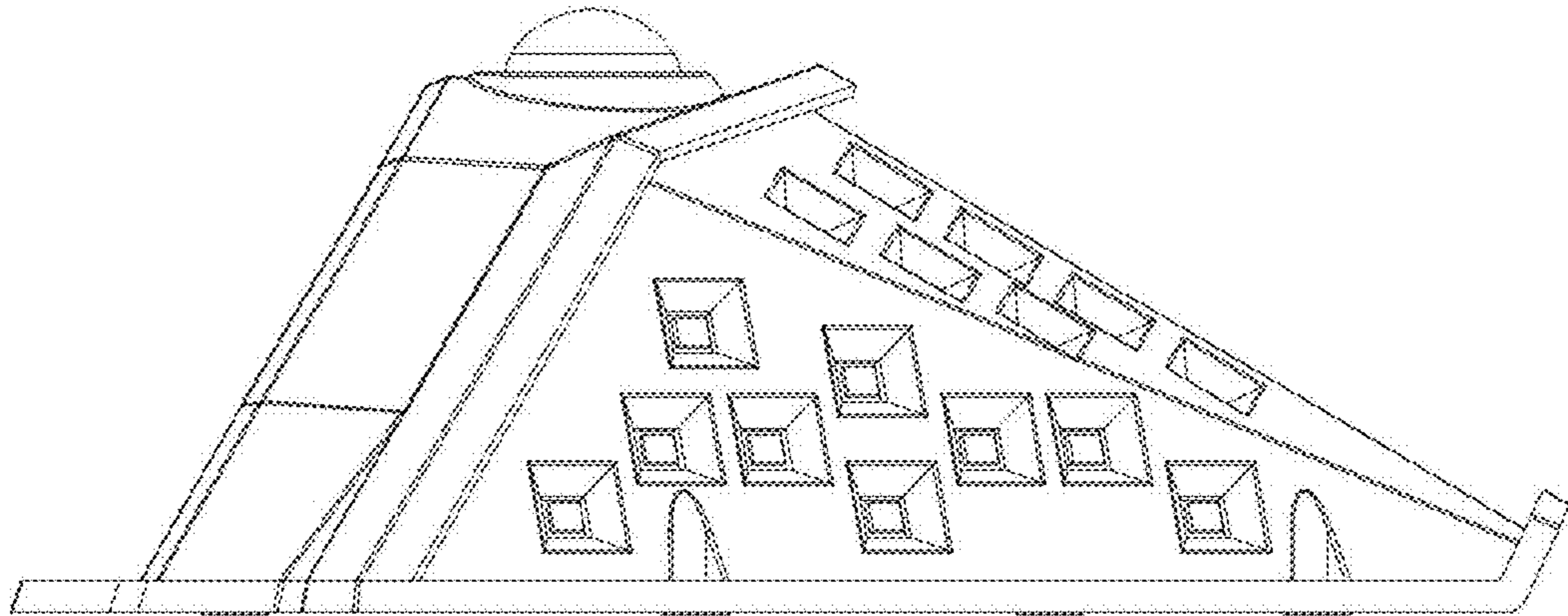


FIG. 6

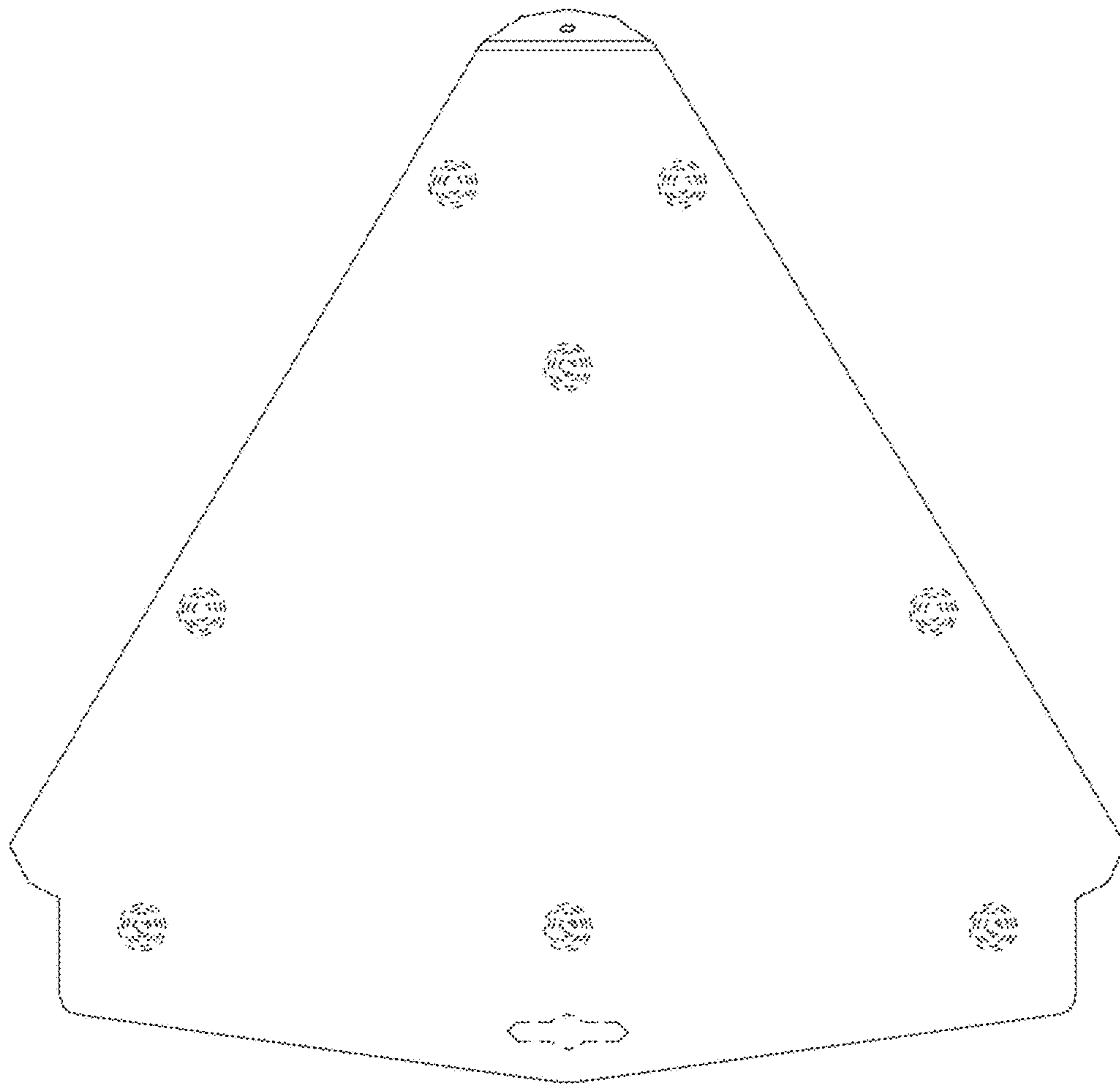


FIG. 7

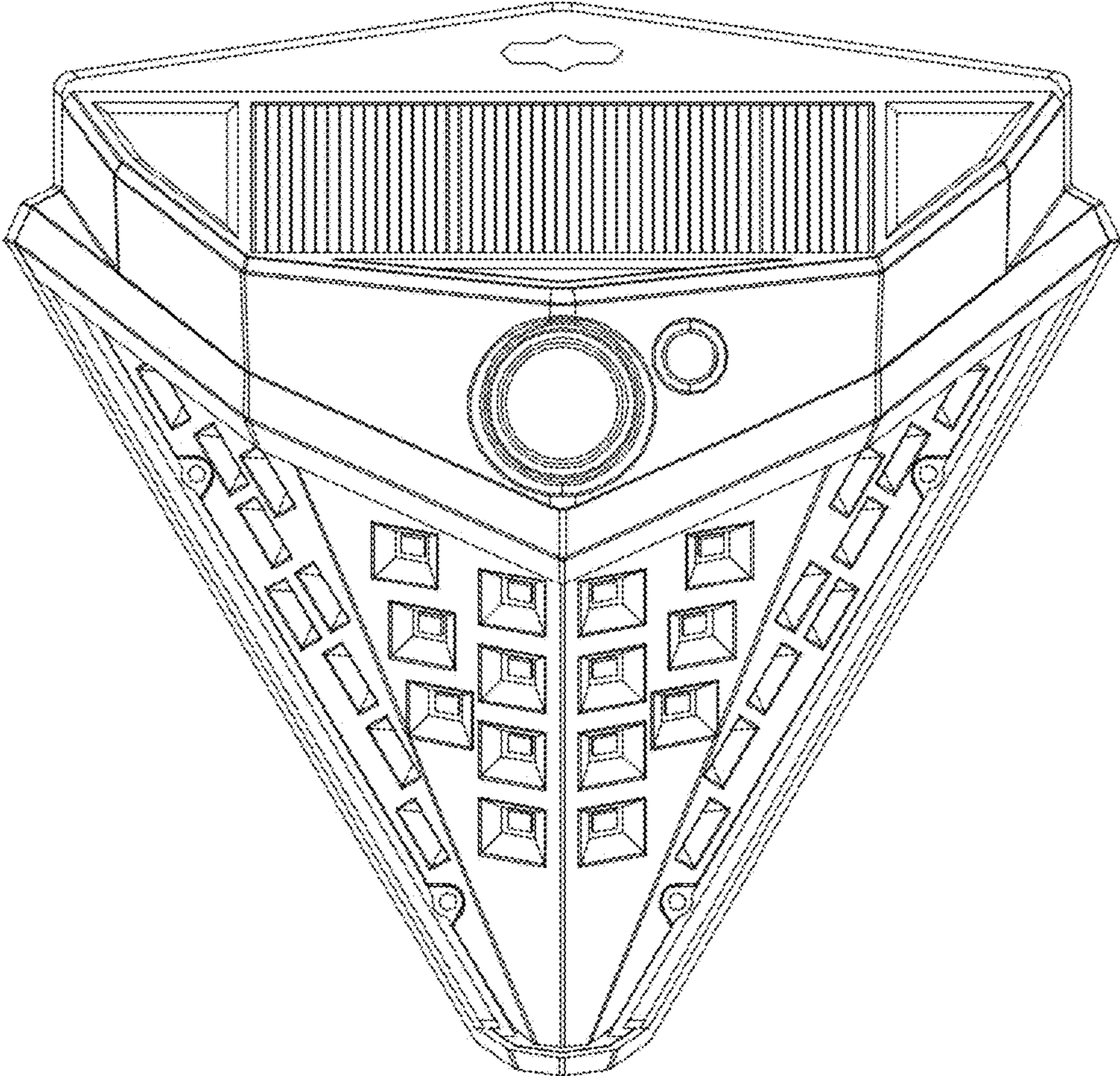


FIG. 8