



US00D865262S

(12) **United States Design Patent**
Chen

(10) **Patent No.:** **US D865,262 S**

(45) **Date of Patent:** **** Oct. 29, 2019**

(54) **LIGHT FIXTURE**

(71) Applicant: **Chia-Teh Chen**, Taipei (TW)

(72) Inventor: **Chia-Teh Chen**, Taipei (TW)

(**) Term: **15 Years**

(21) Appl. No.: **29/658,982**

(22) Filed: **Aug. 3, 2018**

(51) **LOC (12) Cl.** **26-03**

(52) **U.S. Cl.**
USPC **D26/81**

(58) **Field of Classification Search**

USPC D26/80–86, 88, 90, 91, 143, 144
CPC F21S 8/03; F21S 8/04; F21S 8/043; F21S
8/046; F21S 8/06; F21S 8/061; F21S
8/063; F21S 8/065

See application file for complete search history.

(56) **References Cited**

U.S. PATENT DOCUMENTS

D66,151 S	*	12/1924	Stover	D26/81
D252,531 S	*	7/1979	Glassman	D26/80
D583,089 S	*	12/2008	Orozco	D26/81
D605,347 S	*	12/2009	Miranda	D26/144
D634,887 S	*	3/2011	Kitts	D26/143
D713,090 S	*	9/2014	Kim	D26/90
D779,102 S	*	2/2017	Garraton	D26/81
D819,866 S	*	6/2018	Amato	D26/81
D835,322 S	*	12/2018	Nicholas	D26/81
D851,317 S	*	6/2019	Orozco	D26/81
2019/0162376 A1	*	5/2019	Sonneman	F21S 8/061

OTHER PUBLICATIONS

Feiss Angelo 46"W Weathered Oak 8-Light Island Chandelier, Style #18W26. At lampsplus.com as early as May 20, 2018 (Year: 2018).*
Kichler Telan 36" Wide White Washed Wood 8-Light Island Chandelier—Style #63P75. At lampsplus.com as early as Apr. 13, 2019. (Year: 2019).*

* cited by examiner

Primary Examiner — Clare E Heflin

(74) *Attorney, Agent, or Firm* — Li & Cai Intellectual Property (USA) Office

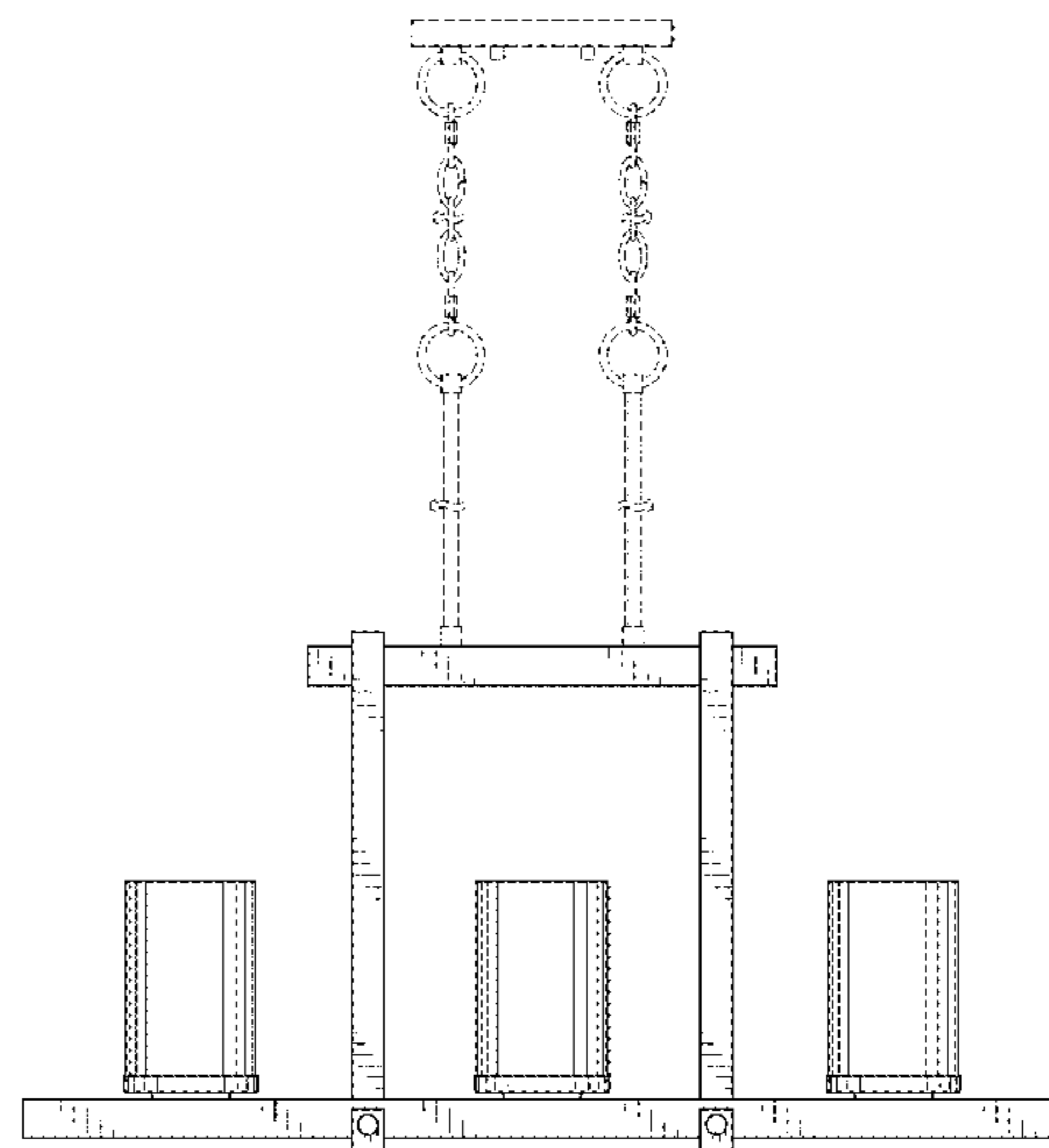
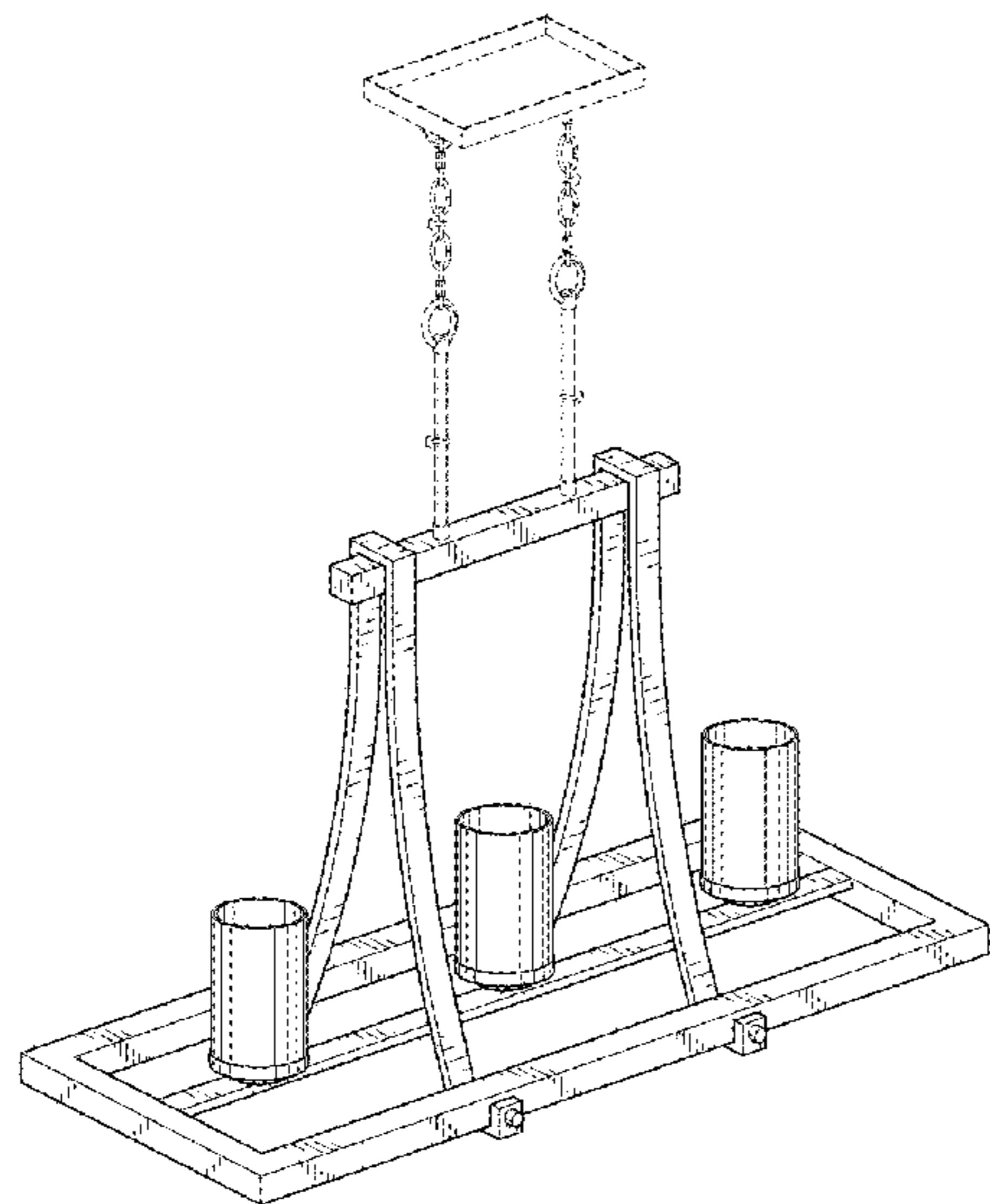
(57) **CLAIM**

The ornamental design for a light fixture, as shown and described.

DESCRIPTION

FIG. 1 is a top and front perspective view of a light fixture showing my new design;
FIG. 2 is a front view thereof;
FIG. 3 is a rear view thereof;
FIG. 4 is a left side view thereof;
FIG. 5 is a right side view thereof;
FIG. 6 is a top view thereof;
FIG. 7 is a bottom view thereof; and,
FIG. 8 is a bottom and rear perspective view thereof.
The broken lines depict portions of the light fixture in which the design is embodied that form no part of the claimed design.

1 Claim, 6 Drawing Sheets



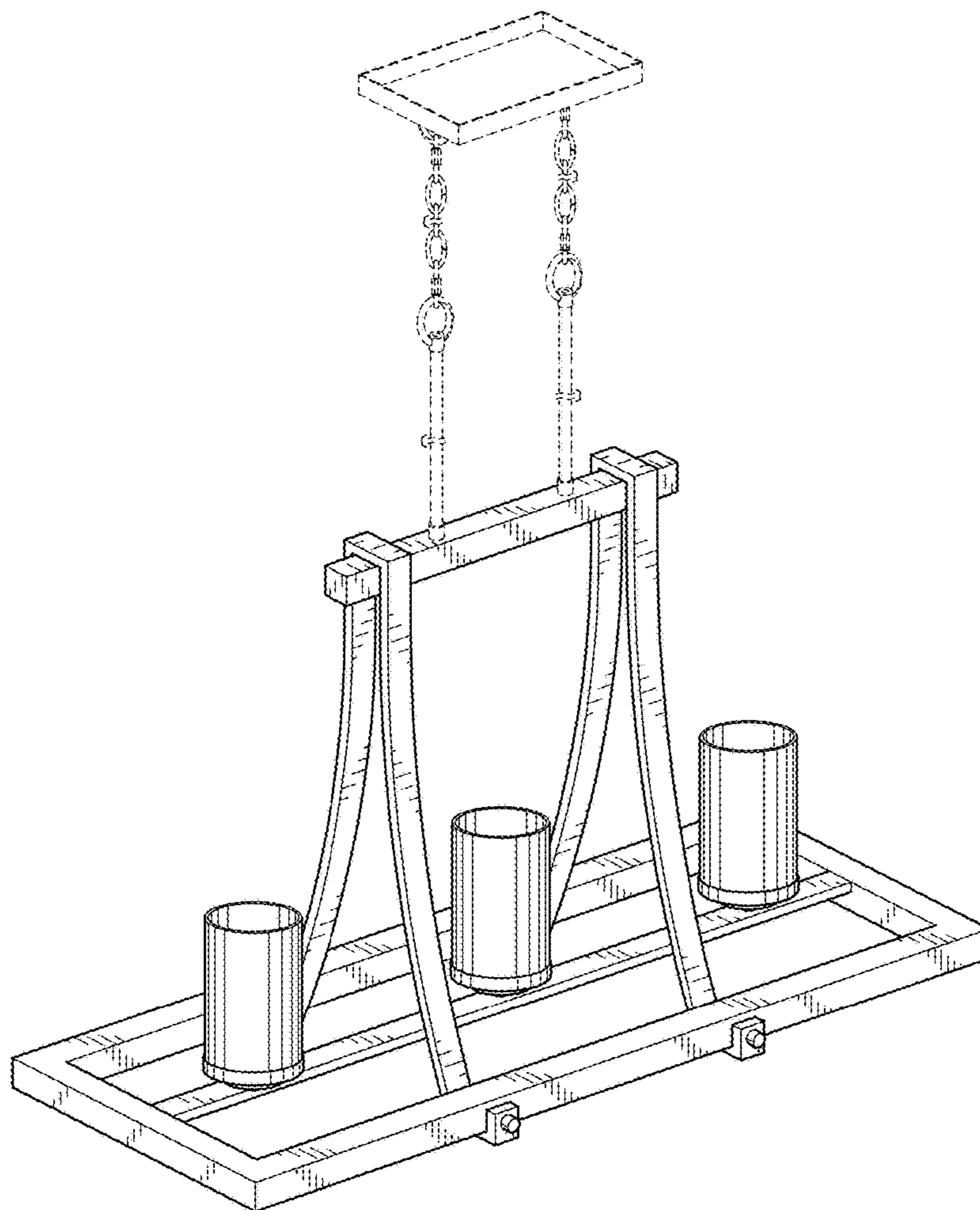


FIG. 1

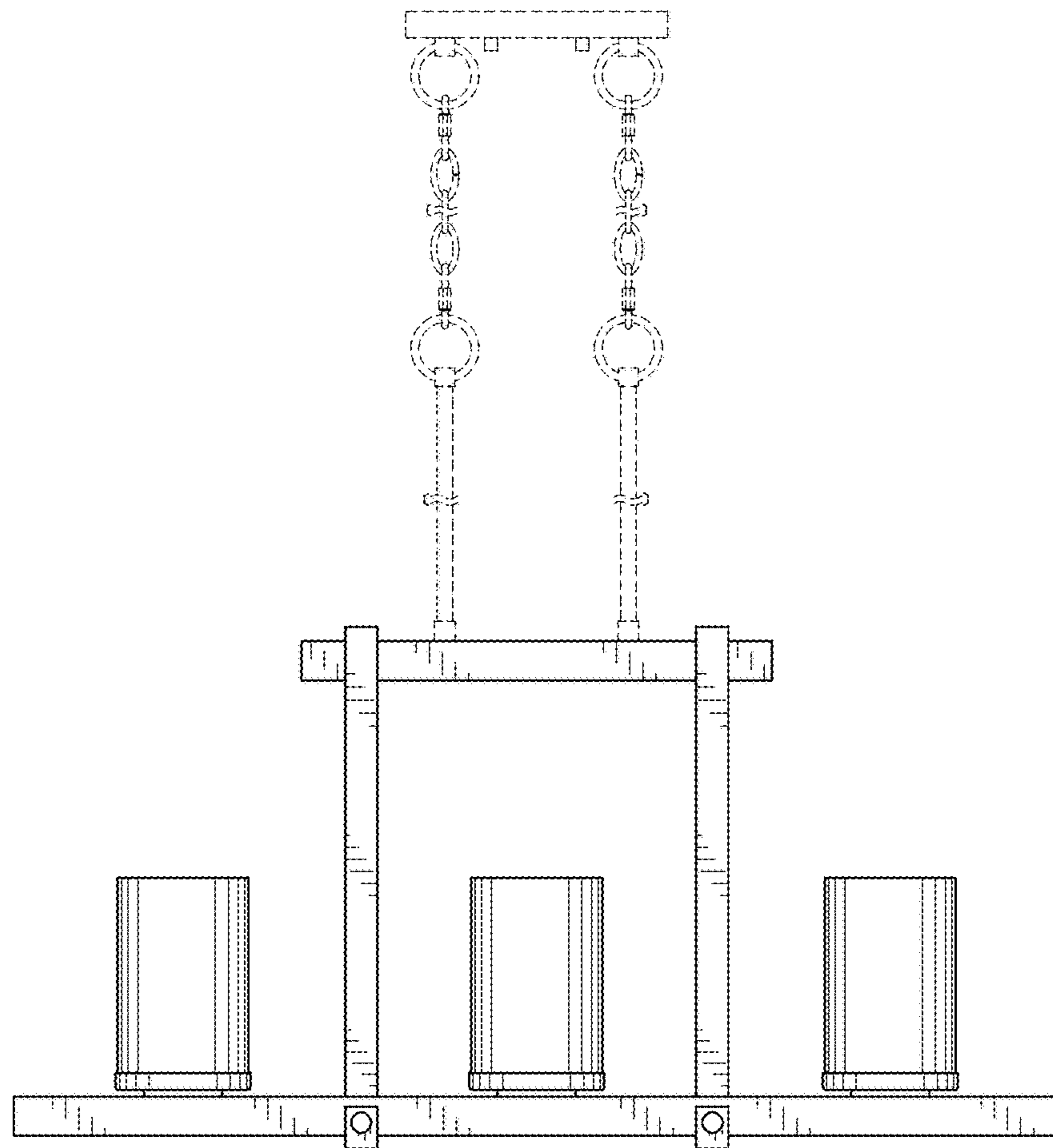


FIG. 2

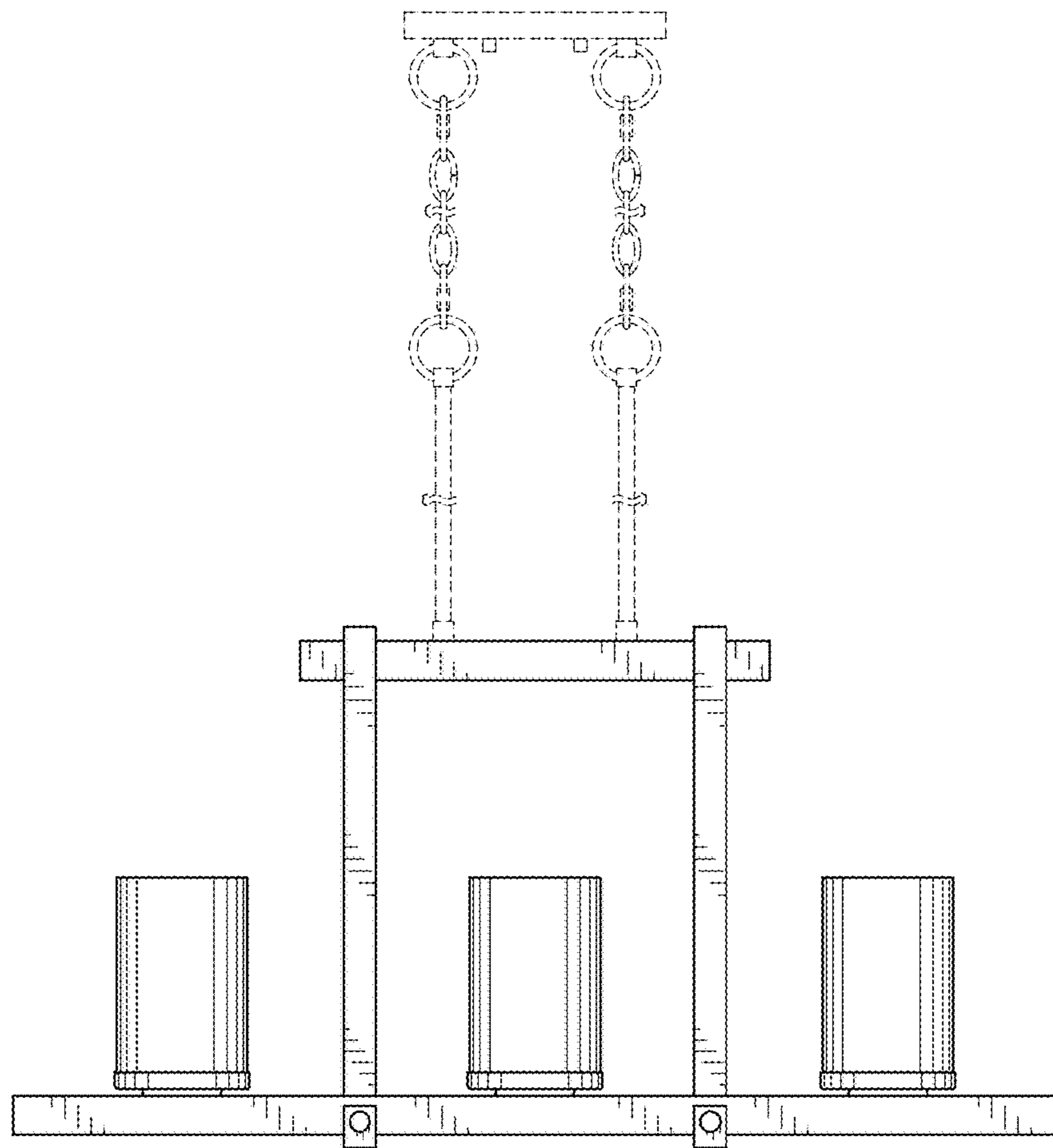


FIG. 3

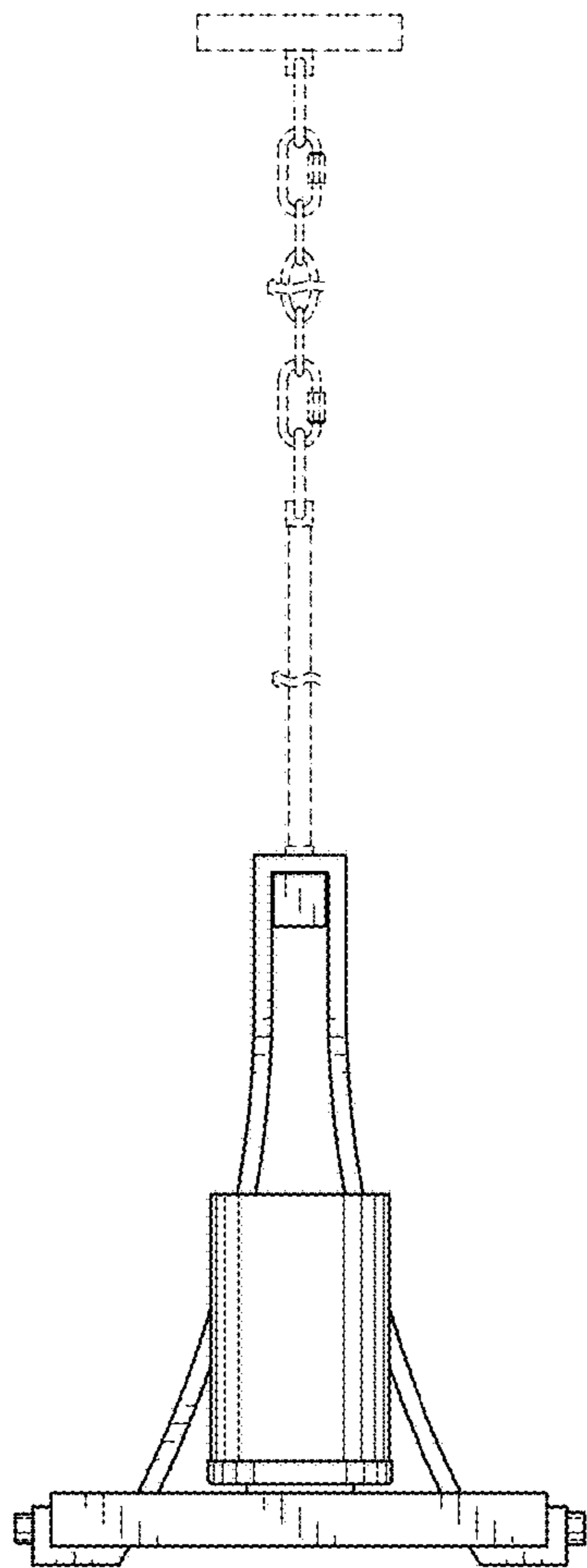


FIG. 4

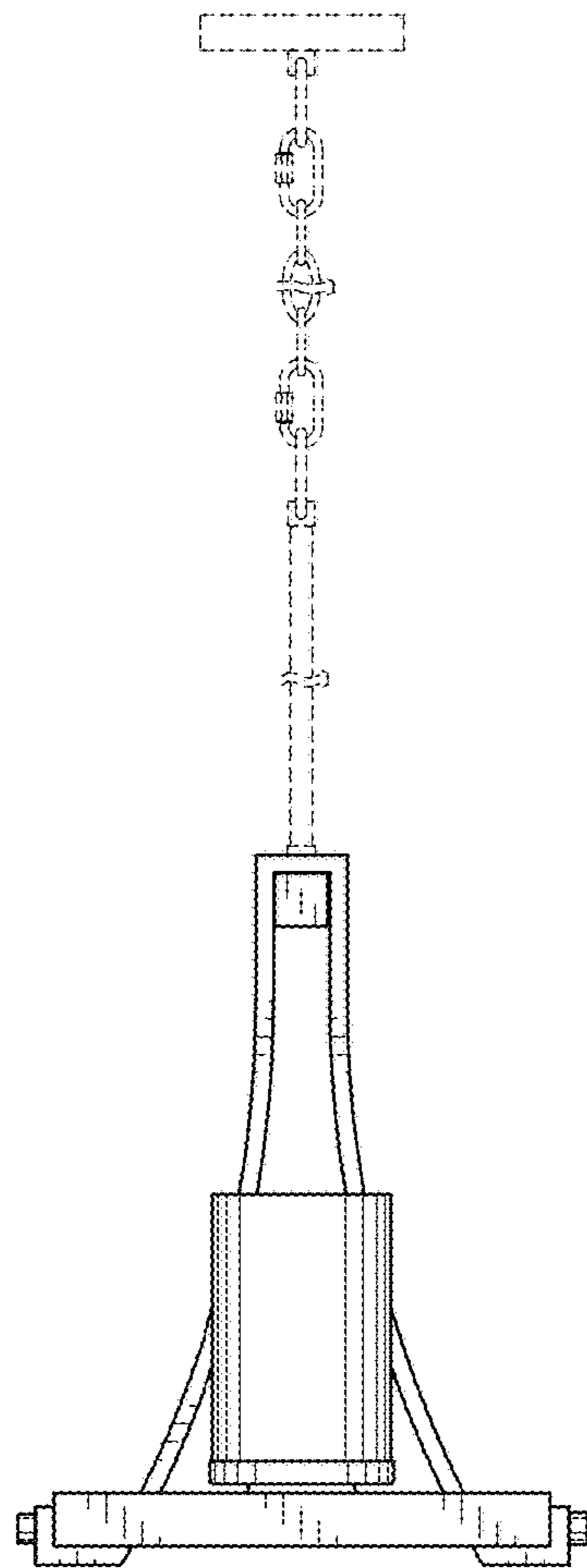


FIG. 5

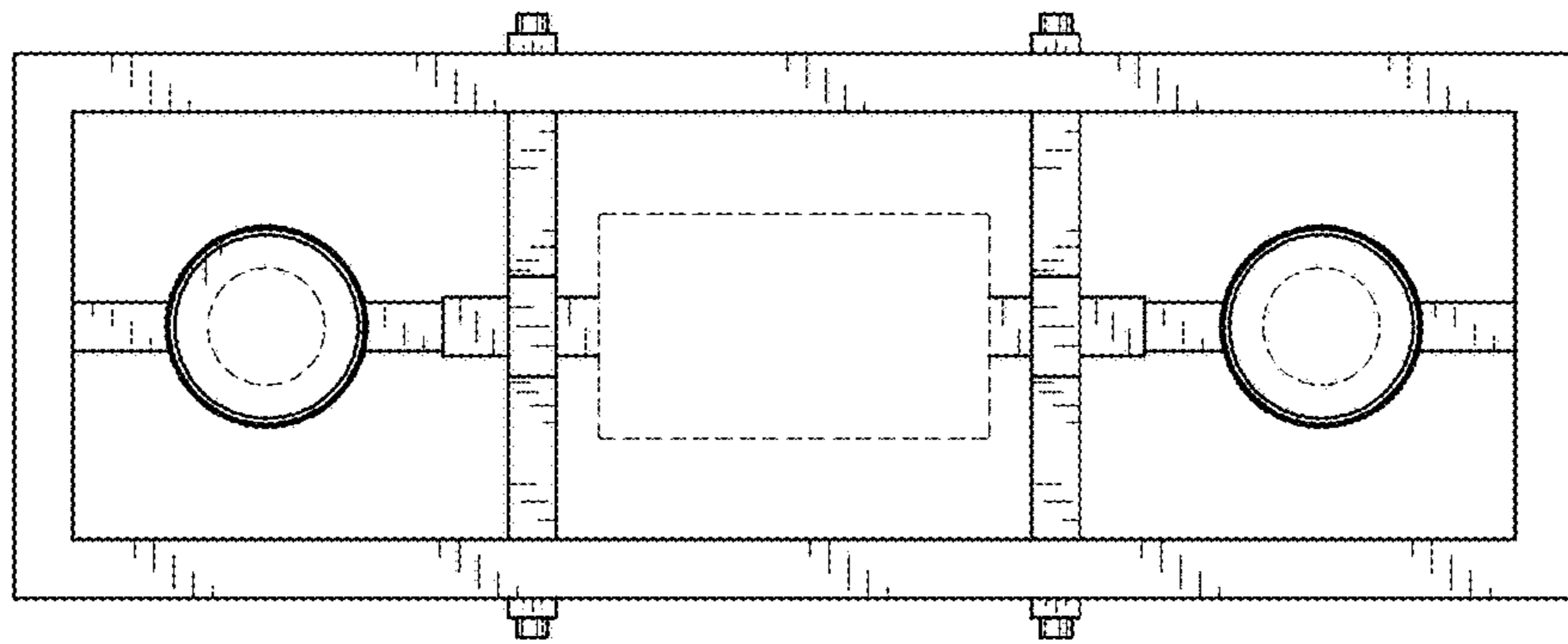


FIG. 6

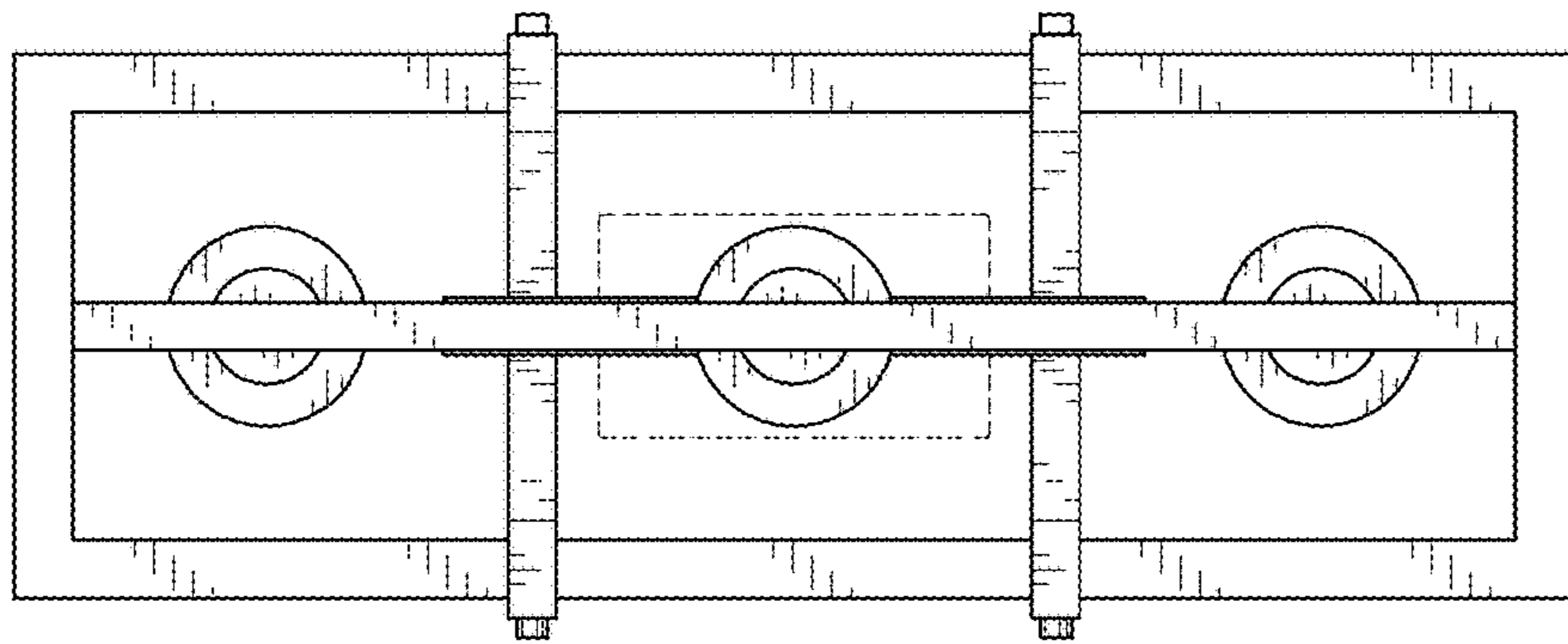


FIG. 7

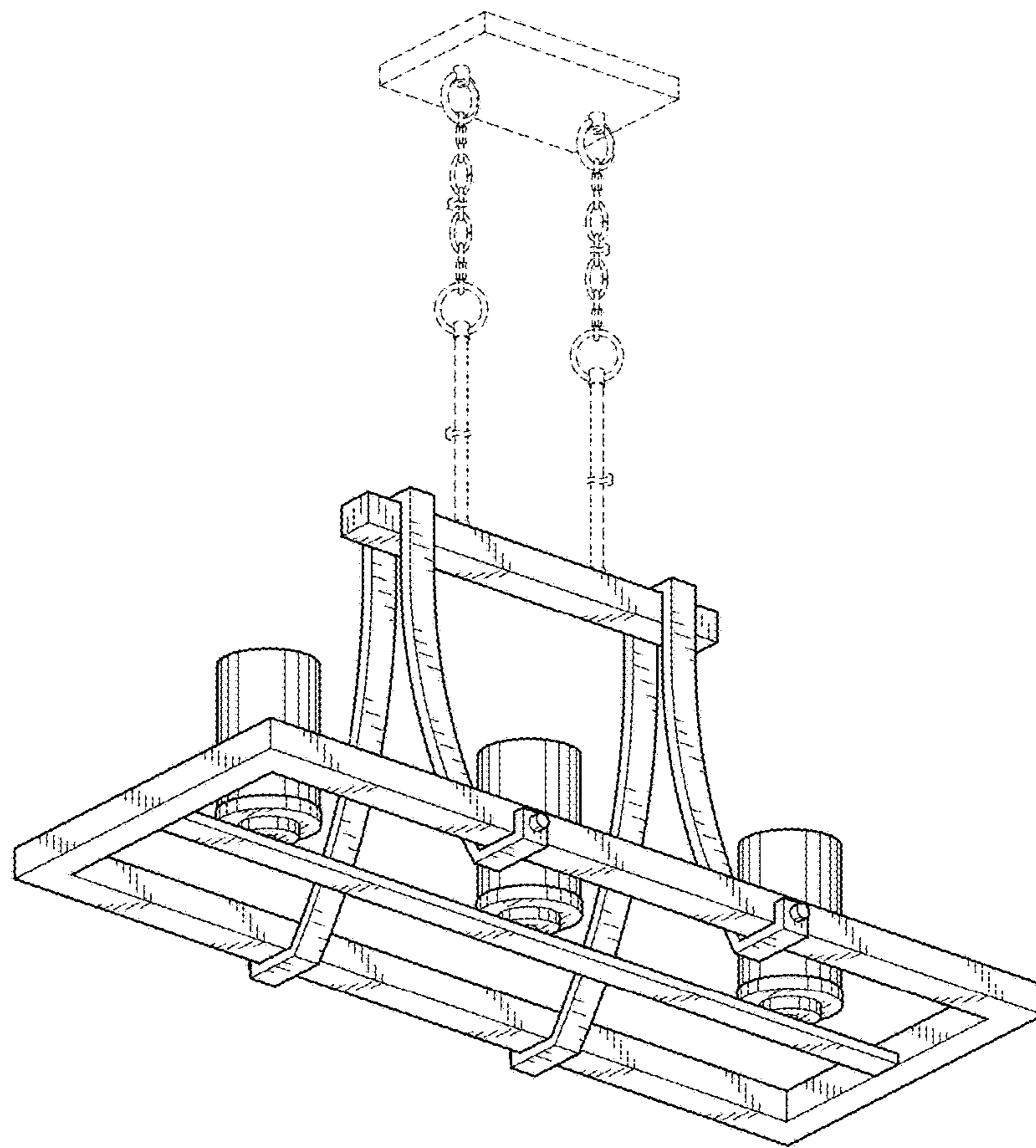


FIG. 8