

US00D865259S

(12) **United States Design Patent** (10) **Patent No.:** **US D865,259 S**
Arola (45) **Date of Patent:** **** Oct. 29, 2019**

(54) **LAMP**
(71) Applicant: **SANTA & COLE NEOSERIES S.L.**,
La Roca del Vallès (ES)
(72) Inventor: **Antoni Arola**, Barcelona (ES)
(73) Assignee: **SANTA & COLE NEOSERIES S.L.**,
la Roca del Vallès (ES)
(**) Term: **15 Years**
(21) Appl. No.: **35/504,752**
(22) Filed: **Mar. 16, 2018**

D547,898 S * 7/2007 Tseng D26/78
D554,793 S * 11/2007 Bobel D26/76
D565,778 S * 4/2008 Pedersen D26/84
D616,138 S * 5/2010 Lasthein D26/76
D632,823 S * 2/2011 Kong D26/76
D669,625 S * 10/2012 Herremans D26/90
D693,045 S * 11/2013 Kirschhoffer D26/88
D698,073 S * 1/2014 Duquette D26/90
D703,361 S * 4/2014 Kondou D26/109
D704,878 S * 5/2014 Wilson D26/76
D757,324 S * 5/2016 Rodgers D26/76
D757,349 S * 5/2016 Wilcox D26/120
D810,348 S * 2/2018 Garrett D26/90
D812,802 S * 3/2018 Garrett D26/88
D814,095 S * 3/2018 Brandrup D26/76
2015/0138829 A1 * 5/2015 Jang F21S 8/061
362/606

(80) **Hague Agreement Data**
Int. Filing Date: **Mar. 16, 2018**
Int. Reg. No.: **DM/100522**
Int. Reg. Date: **Mar. 16, 2018**
Int. Reg. Pub. Date: **Apr. 20, 2018**

* cited by examiner
Primary Examiner — Natasha Vujcic
(74) *Attorney, Agent, or Firm* — Staas & Halsey LLP

(51) **LOC (12) Cl.** **26-04**
(52) **U.S. Cl.**
USPC **D26/76**

(57) **CLAIM**
The ornamental design for a lamp, as shown and described.

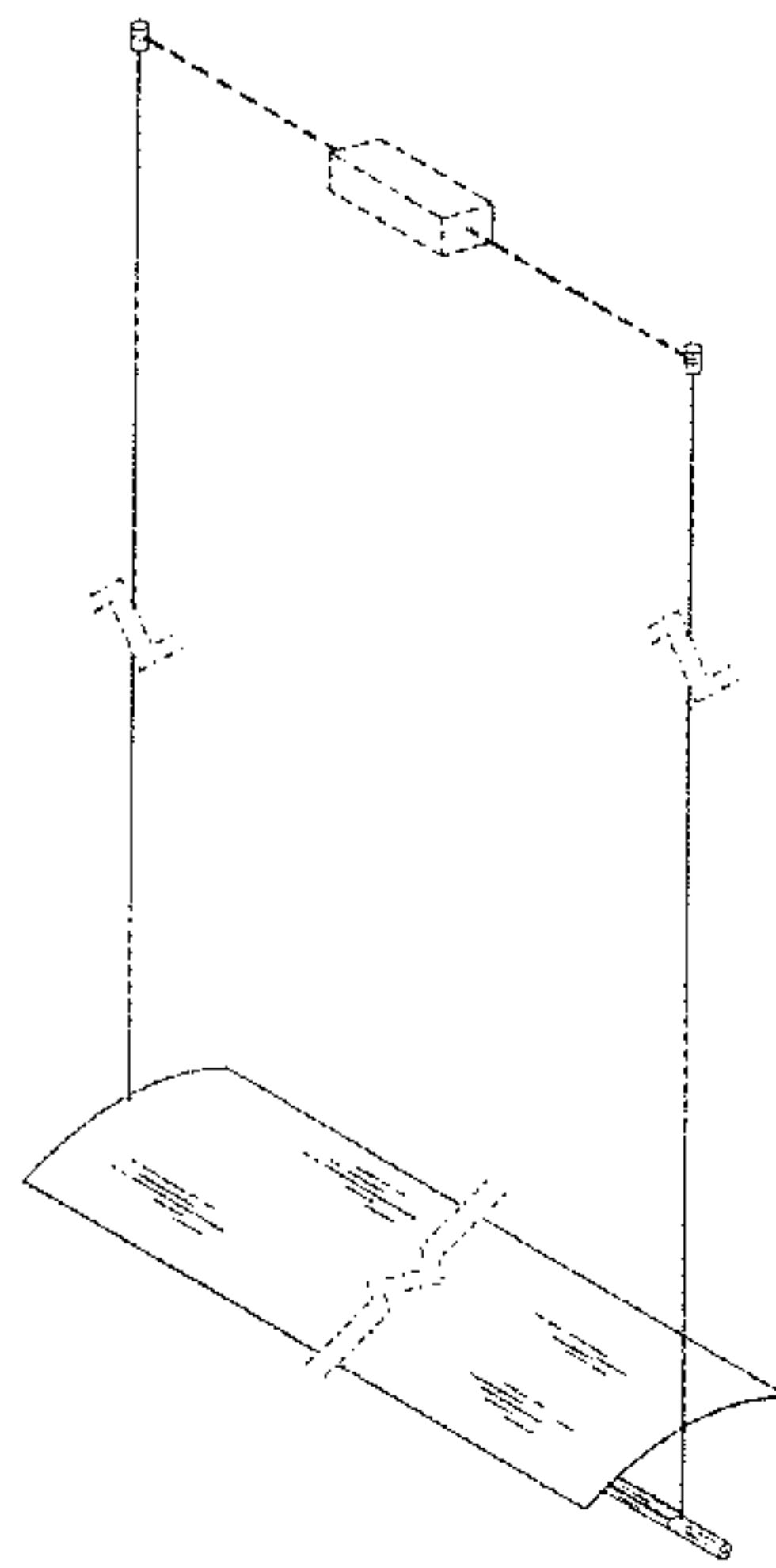
(58) **Field of Classification Search**
USPC D26/76, 78, 79, 80, 81, 82, 83, 85, 86,
D26/88, 90, 93, 111, 113, 118, 119, 120,
D26/121, 122, 138, 139, 140, 141, 142,
D26/152
CPC F21S 2/00; F21S 4/00; F21S 4/003; F21S
4/005; F21S 4/006; F21S 4/007; F21S
4/008; F21S 6/00; F21S 8/00; F21S
8/024; F21S 8/026; F21S 8/031; F21S
8/033; F21S 8/035-037; F21S 8/04; F21S
8/043; F21S 8/063
See application file for complete search history.

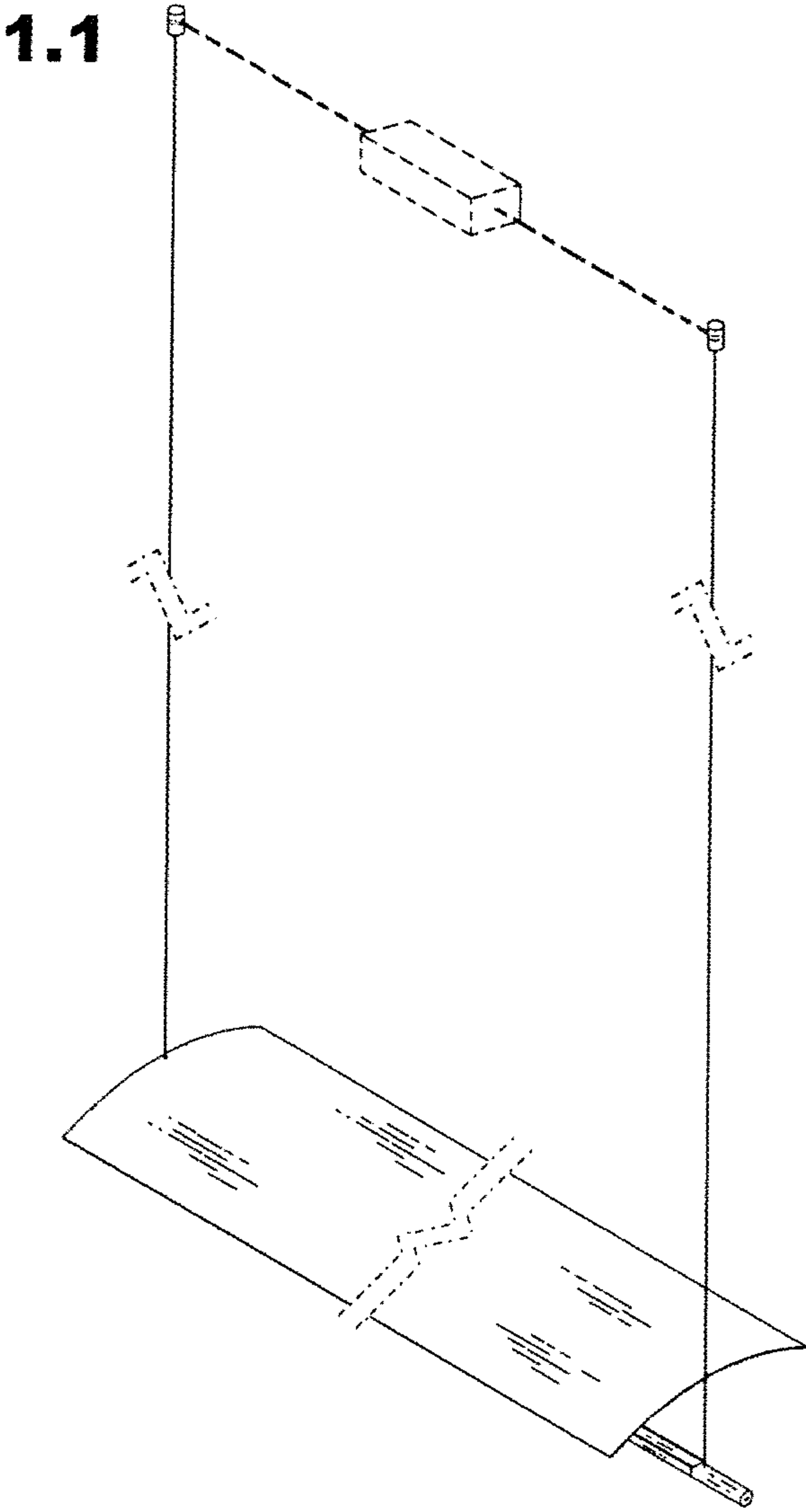
DESCRIPTION

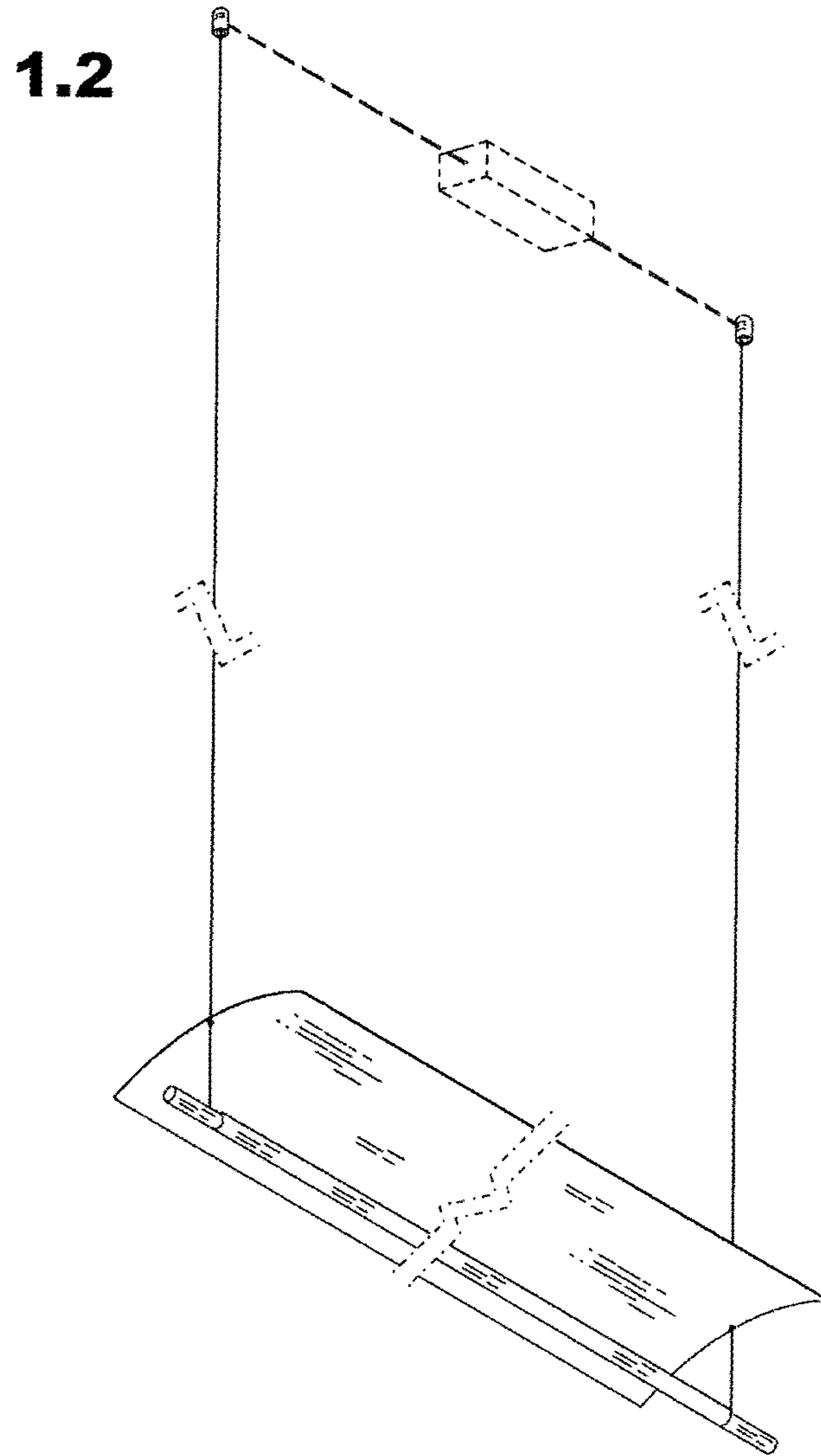
1. Lamp
1.1 : Perspective
1.2 : Perspective
1.3 : Front
1.4 : Left
1.5 : Top
1.6 : Right
1.7 : Bottom
The broken lines in the drawings illustrate portions of the lamp which form no part of the claimed design.
The dot-dash broken line break lines in the drawings indicate that the appearance of any portion of the lamp between the break lines forms no part of the claimed design.

(56) **References Cited**
U.S. PATENT DOCUMENTS
D364,478 S * 11/1995 Pesau D26/76
D544,628 S * 6/2007 Quintal D26/76

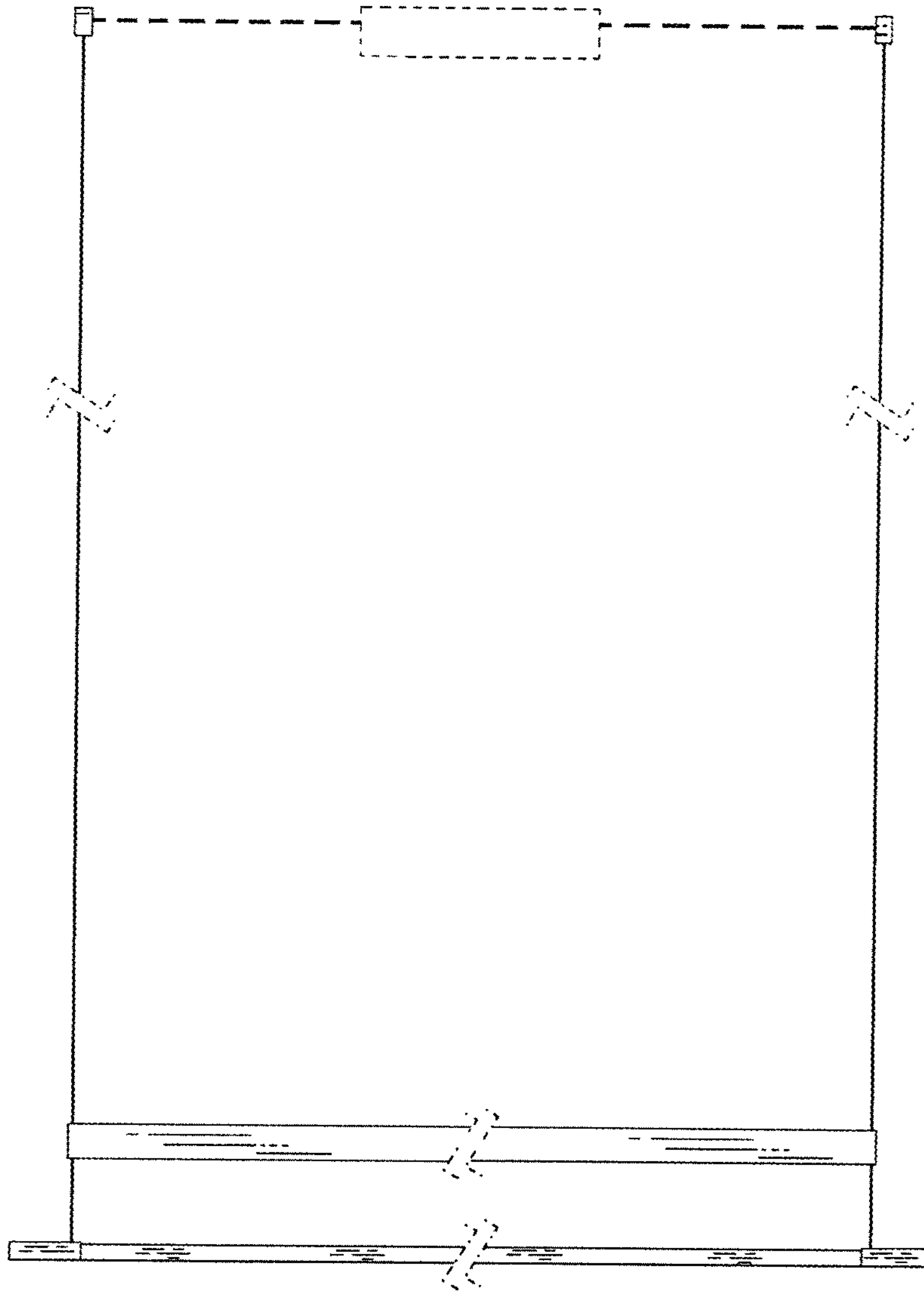
1 Claim, 7 Drawing Sheets



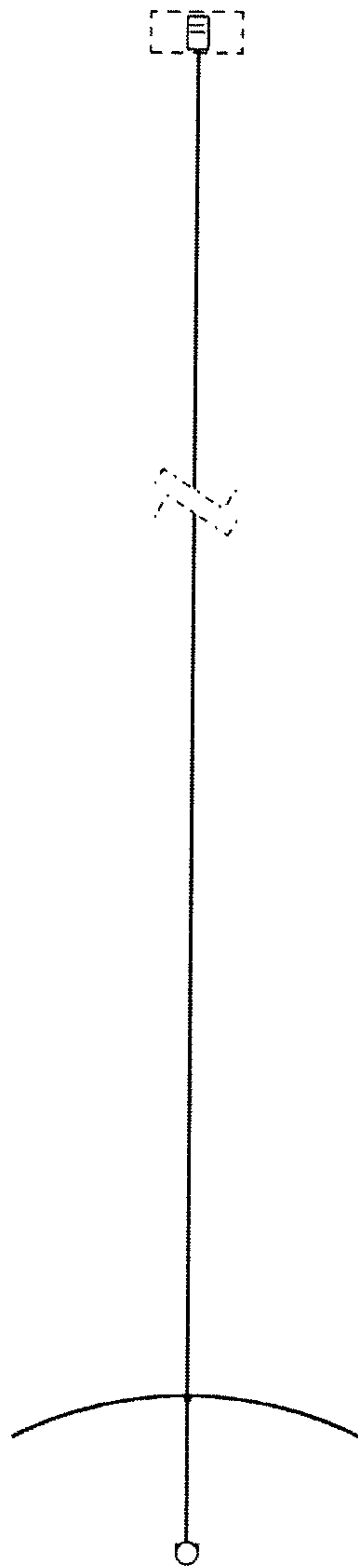




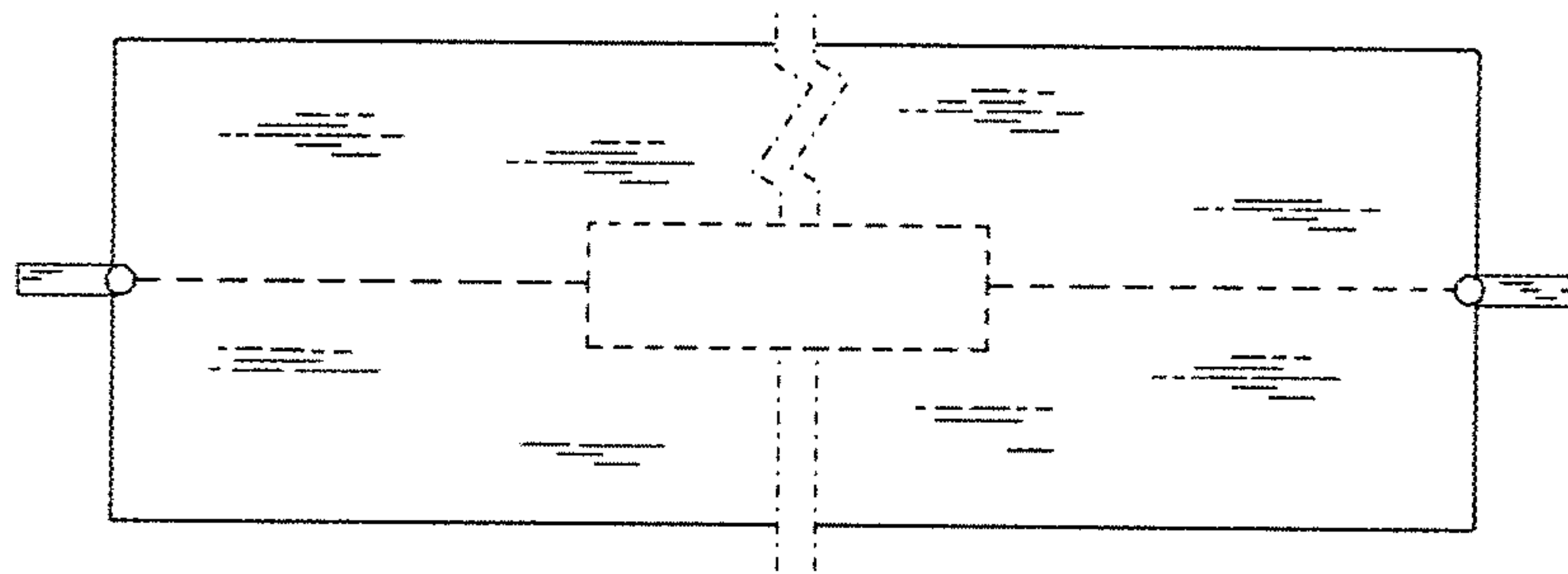
1.3

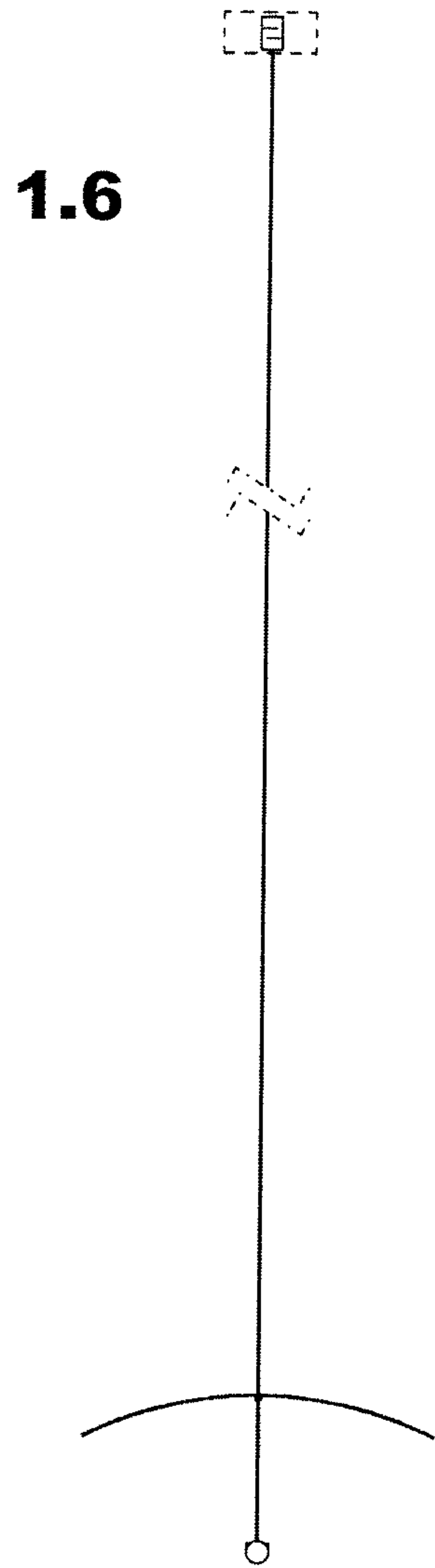


1.4



1.5





1.7

