



US00D865258S

(12) **United States Design Patent** (10) **Patent No.:** **US D865,258 S**  
**Honda et al.** (45) **Date of Patent:** **\*\* Oct. 29, 2019**

(54) **LIGHT FIXTURE WITH BATTERY BACKUP**

(71) Applicant: **Eaton Intelligent Power Limited**,  
Dublin (IE)  
(72) Inventors: **Budd Shaw Honda**, Baldwinsville, NY  
(US); **Adam Douglas Ledgerwood**,  
Syracuse, NY (US); **Daniel Robert  
Treible**, Clay, NY (US); **Robert  
Hamilton Reason**, Liverpool, NY (US)

(73) Assignee: **Eaton Intelligent Power Limited**,  
Dublin (IE)

(\*\*) Term: **15 Years**  
(21) Appl. No.: **29/678,950**  
(22) Filed: **Jan. 31, 2019**

**Related U.S. Application Data**

(63) Continuation of application No. 29/563,258, filed on  
May 3, 2016, now Pat. No. Des. 841,860.

(51) **LOC (12) Cl.** ..... **26-04**

(52) **U.S. Cl.**  
USPC ..... **D26/76**

(58) **Field of Classification Search**

USPC ..... D10/111-115; D13/134; D14/473;  
D25/119, 126, 133, 135; D26/38, 39, 40,  
D26/42, 46, 48, 51, 54, 60, 61, 63, 64,  
D26/65, 66, 71, 74, 75, 76, 78, 80, 81,  
D26/82, 83, 84, 85, 86, 88, 89, 91, 113,  
D26/118, 119, 120, 121, 122, 138, 141,  
D26/142, 152  
CPC .... F21S 4/28; F21S 8/026; F21S 8/031; F21S  
8/036; F21S 8/043; F21S 9/00; F21S  
9/02; F21V 29/74; F21V 29/75; F21V  
29/76

See application file for complete search history.

(56) **References Cited**

**U.S. PATENT DOCUMENTS**

D646,827 S \* 10/2011 Van Gompel ..... D26/74  
D678,582 S \* 3/2013 Du ..... D26/71

D684,285 S \* 6/2013 Maxik ..... D26/71  
8,876,329 B2 \* 11/2014 Fields ..... F21V 17/02  
362/238  
D742,270 S \* 11/2015 Stein ..... D10/114.4  
D819,257 S \* 5/2018 Iacchetti ..... D26/113  
9,976,735 B2 \* 5/2018 Honda ..... F21V 25/12  
D822,868 S \* 7/2018 Liu ..... D26/71  
D823,519 S \* 7/2018 Adams ..... D26/76  
D835,821 S \* 12/2018 Bao ..... D26/44  
D841,860 S \* 2/2019 Honda ..... D26/76  
2017/0097152 A1 \* 4/2017 Scribante ..... F21S 8/00

**FOREIGN PATENT DOCUMENTS**

JP 2016-22775 W \* 4/2016

\* cited by examiner

*Primary Examiner* — Kevin K Rudzinski

*Assistant Examiner* — Richard Kearney

(74) *Attorney, Agent, or Firm* — Merchant & Gould P.C.

(57) **CLAIM**

The ornamental design for a light fixture with battery  
backup, as shown and described.

**DESCRIPTION**

FIG. 1 is a top perspective view of a light fixture with battery  
backup, showing our new design:

FIG. 2 is a front elevational view thereof;

FIG. 3 is a rear elevational view thereof;

FIG. 4 is a left side view thereof;

FIG. 5 is right side view thereof;

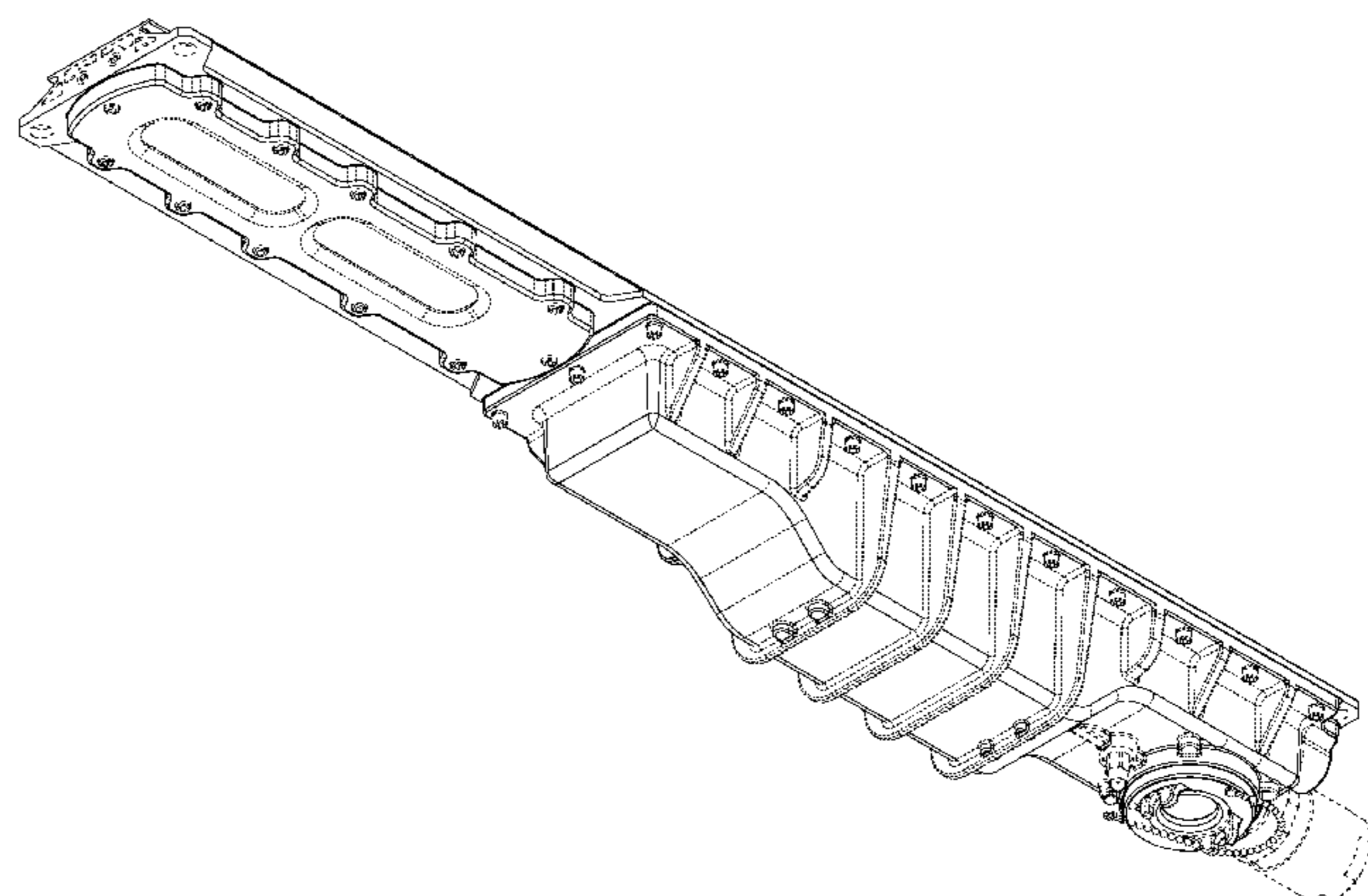
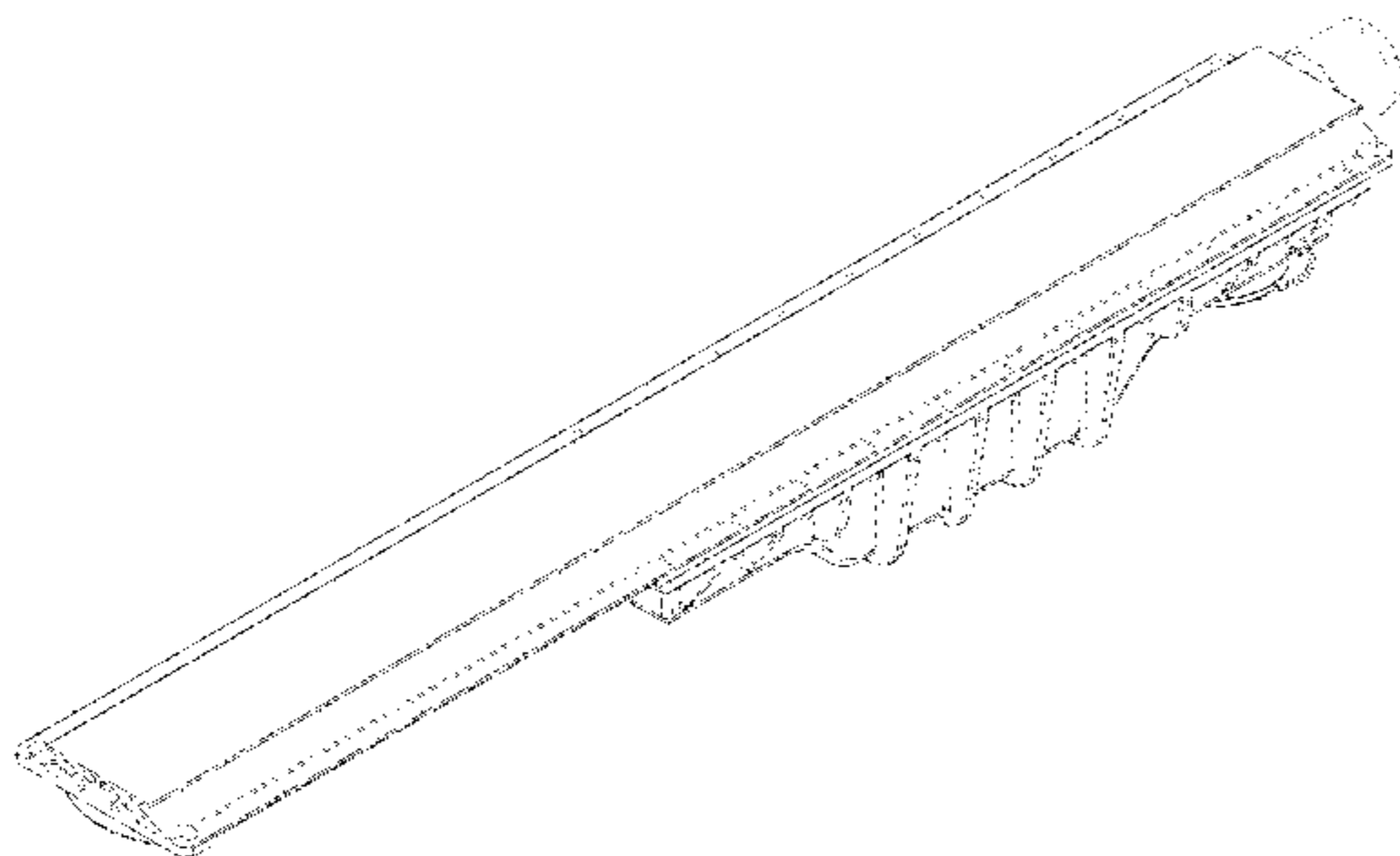
FIG. 6 is a top plan view thereof;

FIG. 7 is a bottom plan view thereof; and,

FIG. 8 is a bottom perspective view thereof.

The broken lines shown in the drawings illustrate portions of  
the light fixture with battery backup that form no part of the  
claimed design.

**1 Claim, 5 Drawing Sheets**



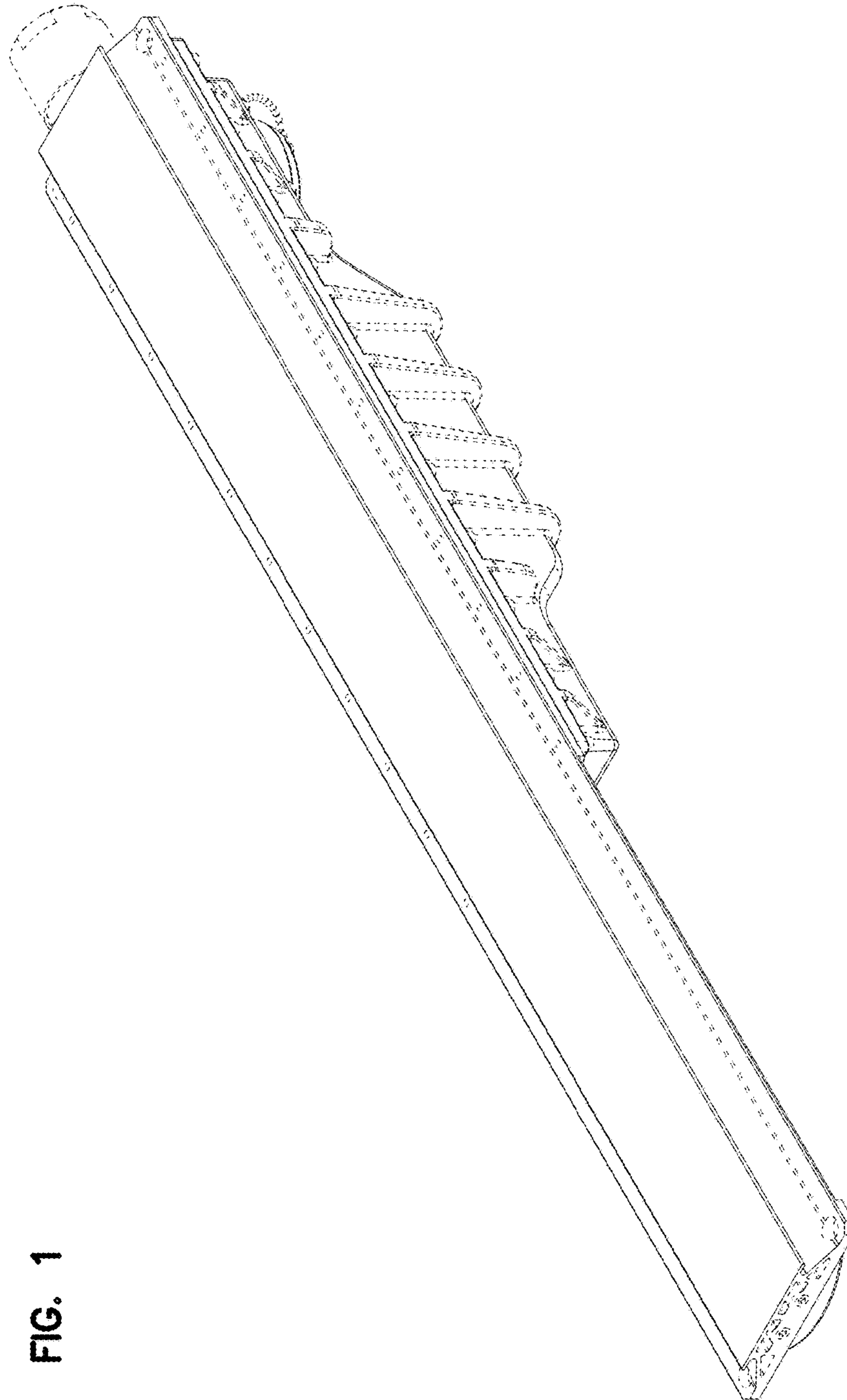


FIG. 1

FIG. 2

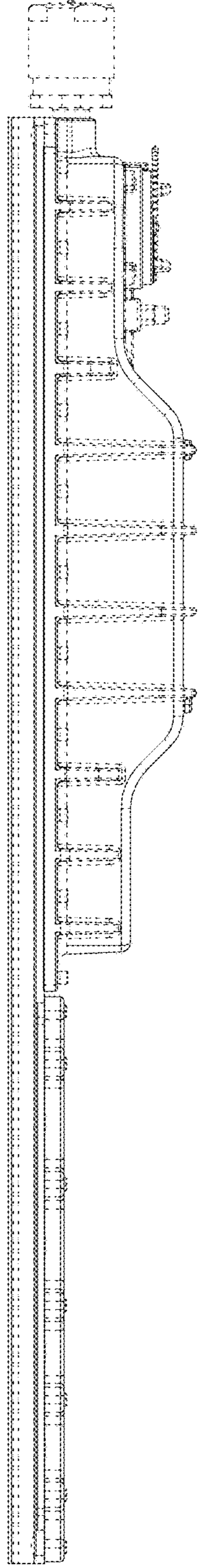
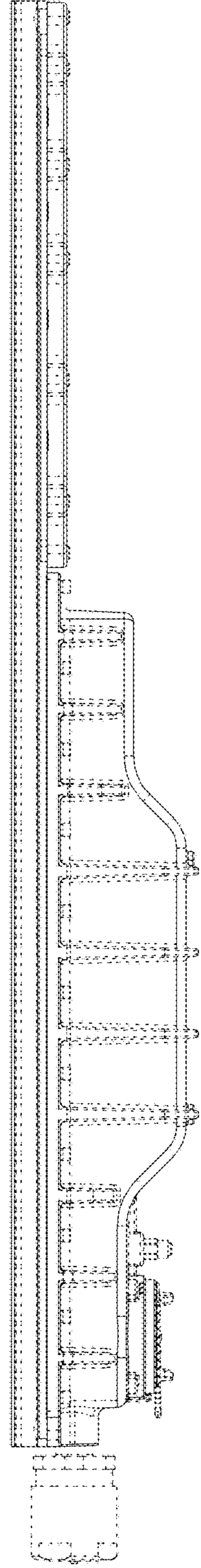


FIG. 3



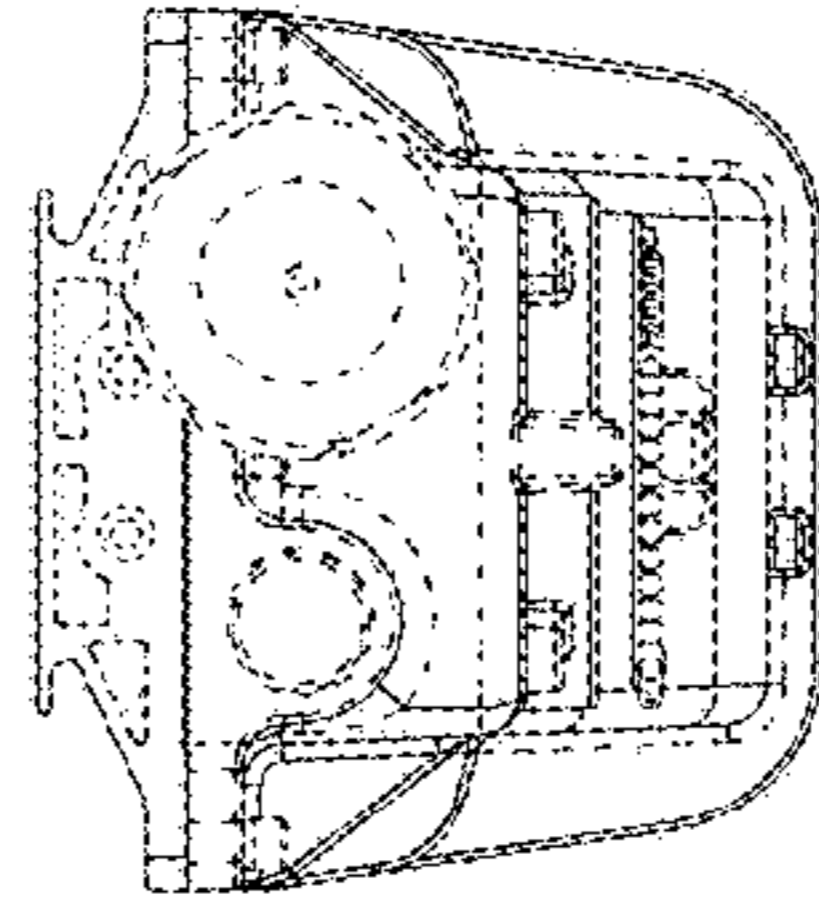


FIG. 5

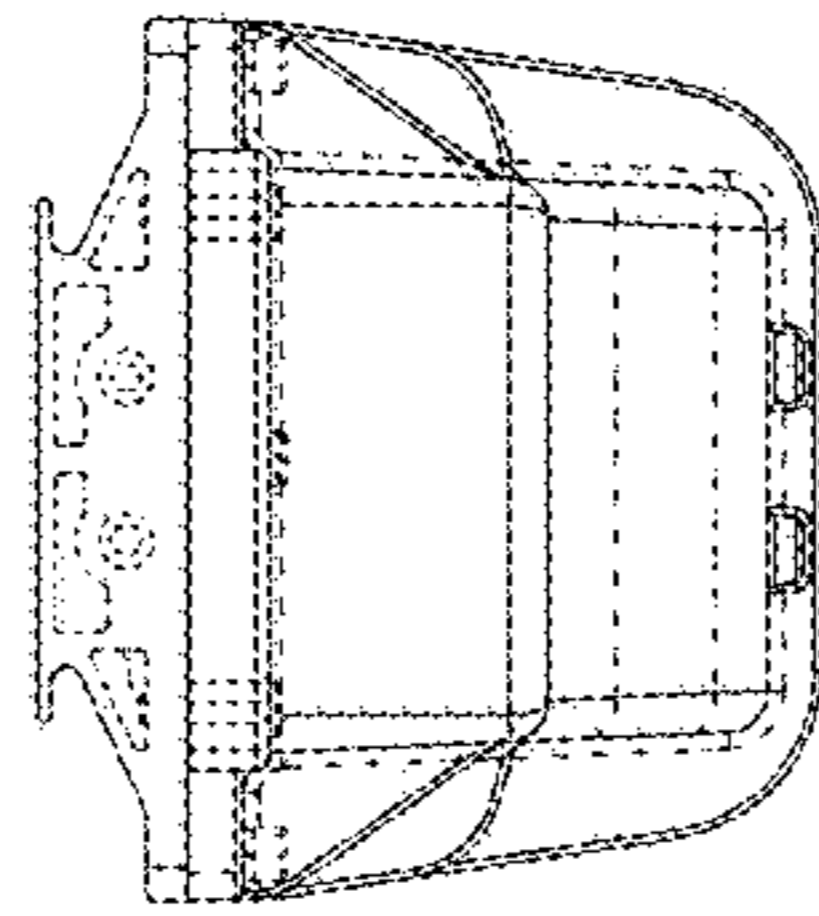


FIG. 4

FIG. 6

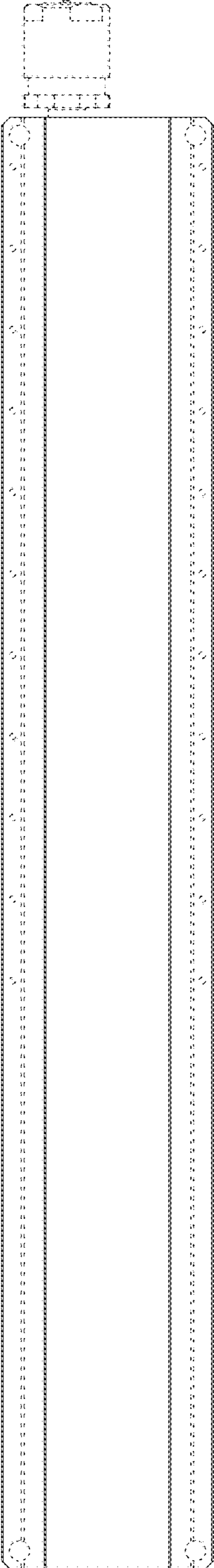
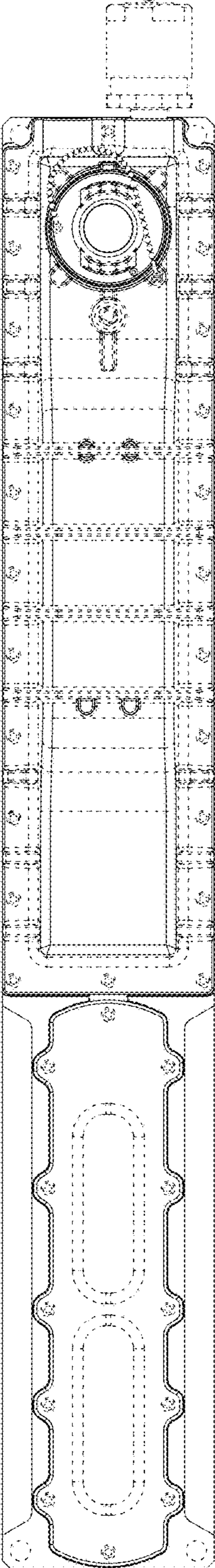


FIG. 7



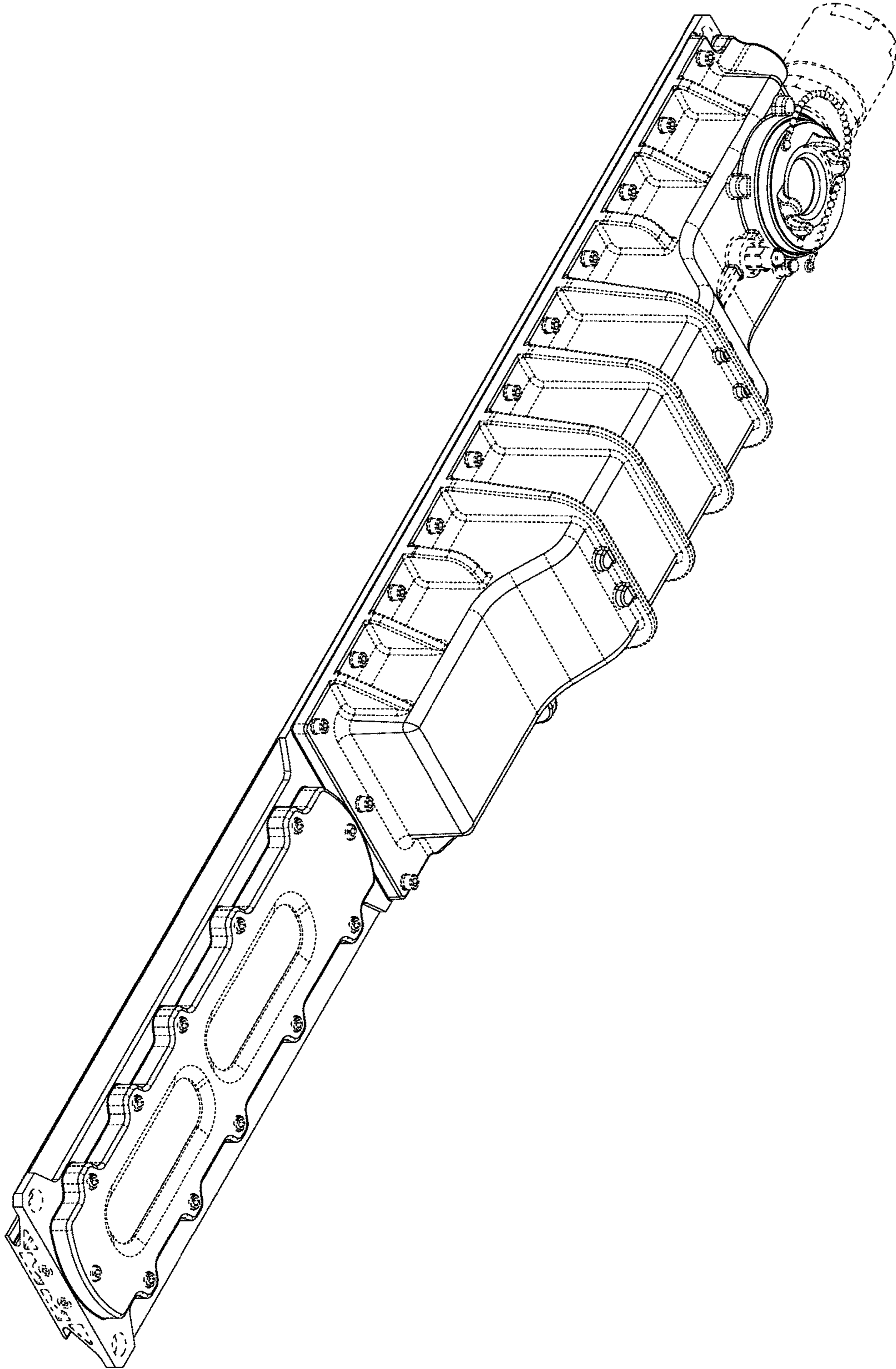


FIG. 8