



US00D865257S

(12) **United States Design Patent**  
**Ford et al.**

(10) **Patent No.:** **US D865,257 S**  
(45) **Date of Patent:** **\*\* Oct. 29, 2019**

(54) **LIGHT FIXTURE**

(71) Applicant: **SYLVAN R. SHEMITZ DESIGNS, LLC**, West Haven, CT (US)  
(72) Inventors: **Paul Richard Ford**, Orange, CT (US); **Carl Robert Leuck**, Leavenworth, WA (US)  
(73) Assignee: **SYLVAN R. SHEMITZ DESIGNS, LLC**, West Haven, CT (US)

(\*\*) Term: **15 Years**

(21) Appl. No.: **29/637,121**

(22) Filed: **Feb. 14, 2018**

(51) **LOC (12) Cl.** ..... **26-04**

(52) **U.S. Cl.**  
USPC ..... **D26/76**

(58) **Field of Classification Search**  
USPC ..... D26/72, 74, 76, 78-83, 85, 86, 88, 90, D26/93, 111, 113, 118, 119, 120, 121, D26/122, 138, 139, 140, 141, 142, 152  
CPC ..... F21S 2/00; F21S 4/00; F21S 4/003; F21S 4/005; F21S 4/006; F21S 4/007; F21S 4/008; F21S 6/00; F21S 8/00; F21S 8/024; F21S 8/026; F21S 8/031; F21S 8/033; F21S 8/035-8/037; F21S 8/04; F21S 8/043; F21S 8/063  
See application file for complete search history.

(56) **References Cited**

**U.S. PATENT DOCUMENTS**

D240,549 S \* 7/1976 Eftekhar ..... D26/78  
D274,657 S \* 7/1984 Herst ..... D26/76

D468,473 S \* 1/2003 Shemitz ..... D26/76  
D492,809 S \* 7/2004 Weitgasser ..... D26/76  
D521,675 S \* 5/2006 Chen ..... D26/76  
D547,898 S \* 7/2007 Tseng ..... D26/78  
D554,793 S \* 11/2007 Bobel ..... D26/76  
D604,885 S \* 11/2009 Ford ..... D26/76  
D613,897 S \* 4/2010 Thun ..... D26/76  
D626,267 S \* 10/2010 Ng ..... D26/76  
D654,208 S \* 2/2012 Marquardt ..... D26/85  
D655,442 S \* 3/2012 Sabernig ..... D26/88  
D663,065 S \* 7/2012 Beghelli ..... D26/76  
D690,870 S \* 10/2013 Ng ..... D26/80  
D698,073 S \* 1/2014 Duquette ..... D26/90  
D732,718 S \* 6/2015 Amrine, Jr. .... D26/3  
D785,820 S \* 5/2017 Gao ..... D26/2  
D793,603 S \* 8/2017 Parker ..... D26/76

\* cited by examiner

*Primary Examiner* — Natasha Vujcic

(74) *Attorney, Agent, or Firm* — Cantor Colburn LLP

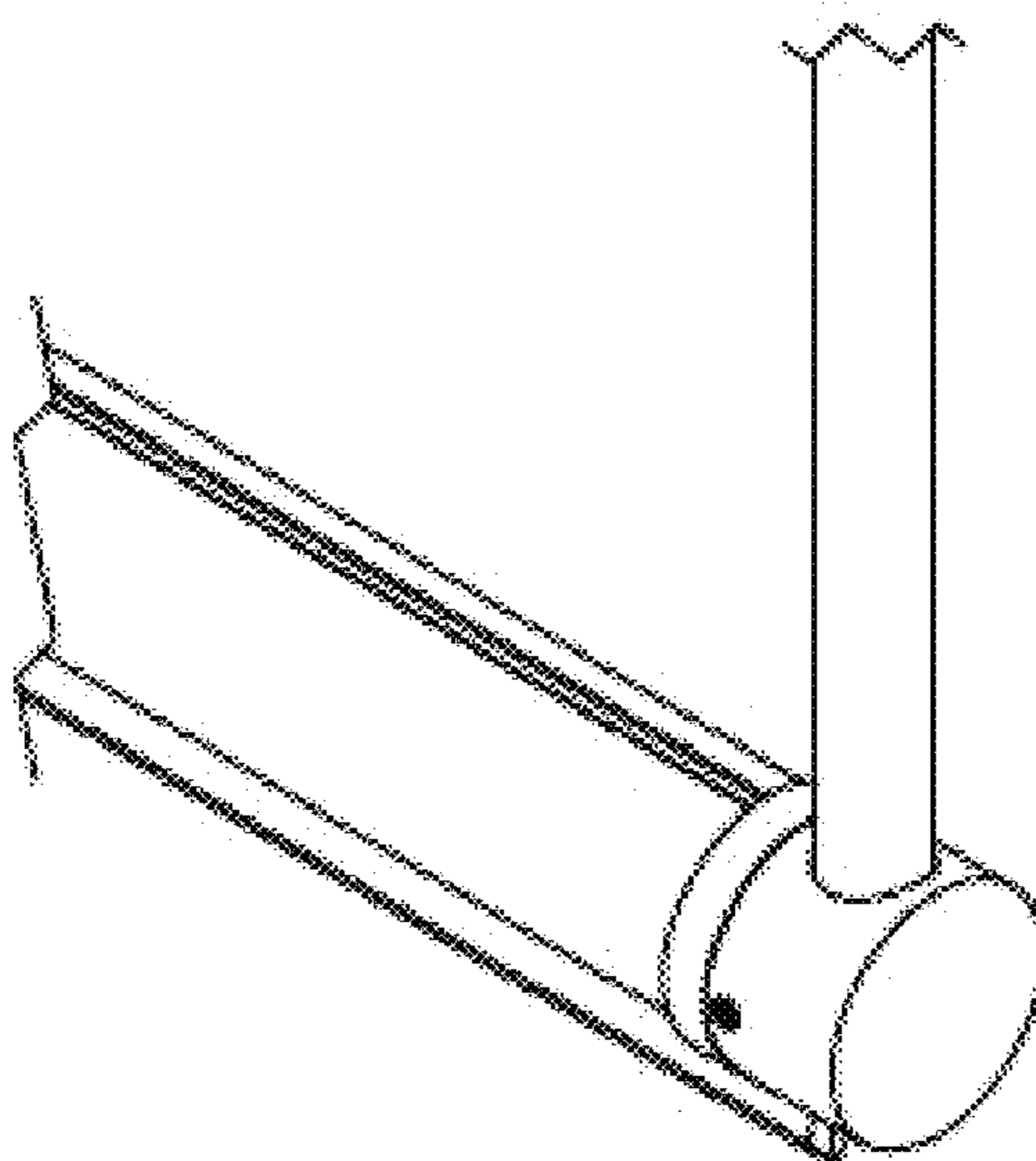
(57) **CLAIM**

We claim, the ornamental design for a light fixture, as shown and described.

**DESCRIPTION**

FIG. 1 is a side view of a light fixture, showing our new design;  
FIG. 2 is an opposite side view thereof;  
FIG. 3 is a front view thereof;  
FIG. 4 is perspective view thereof;  
FIG. 5 is another perspective view thereof; and,  
FIG. 6 is another perspective view thereof.  
The broken lines in the drawings illustrate environment of the light fixture which forms no part of the claimed design.

**1 Claim, 6 Drawing Sheets**



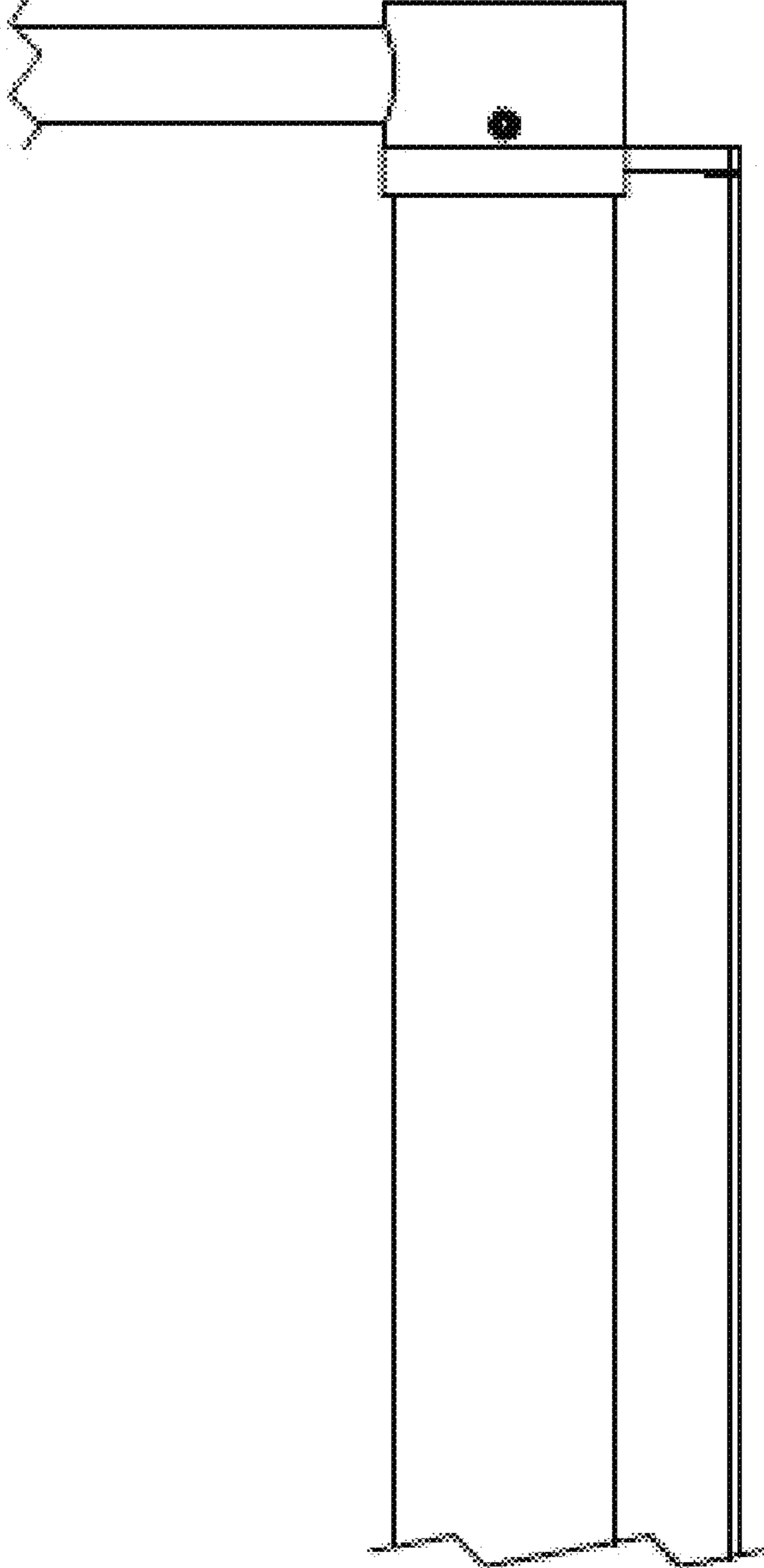


FIGURE 1

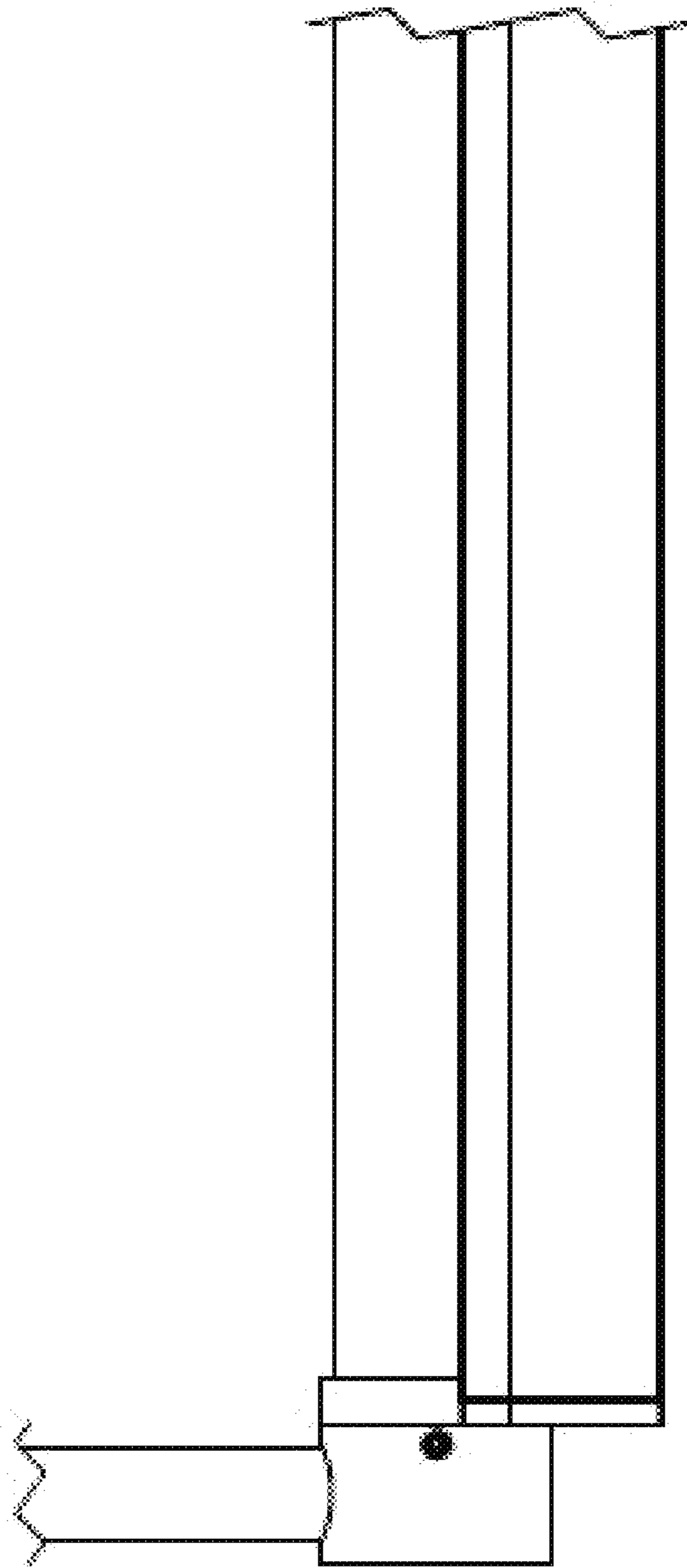


FIGURE 2

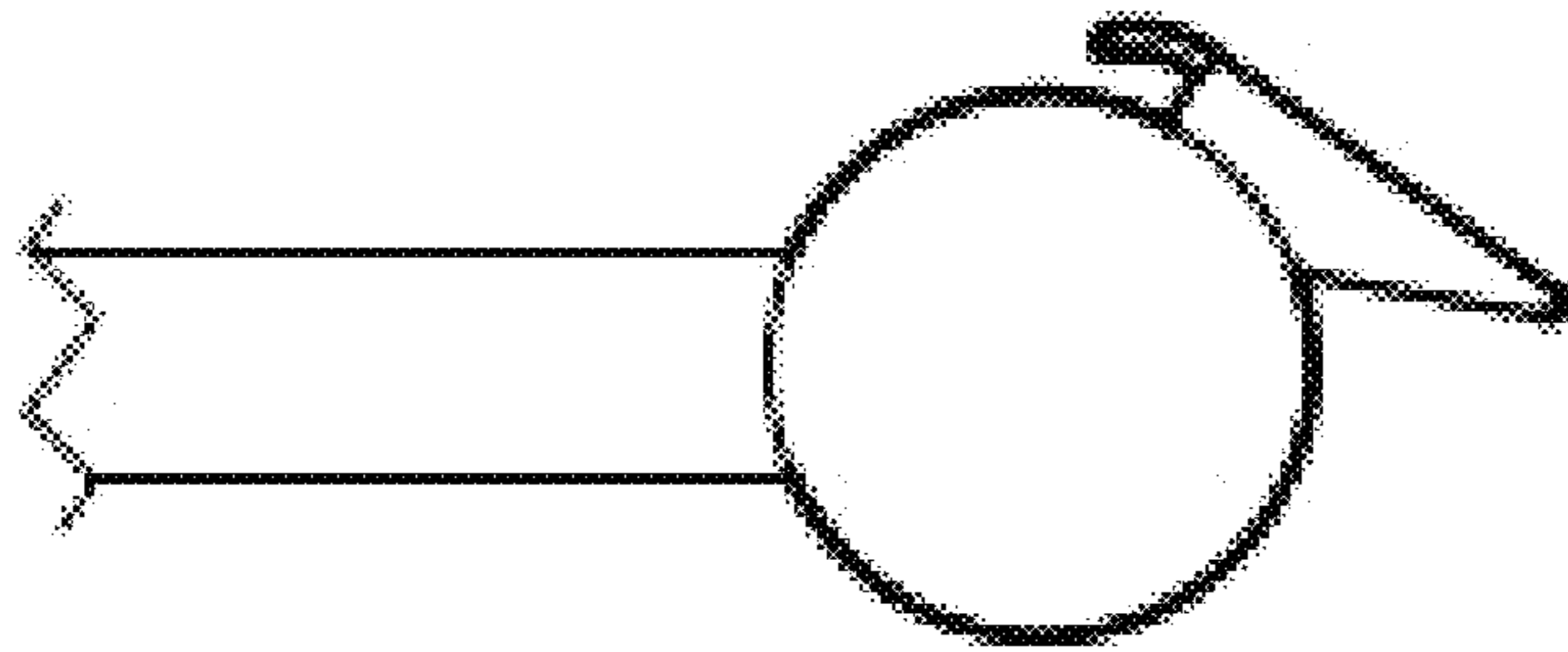


FIGURE 3

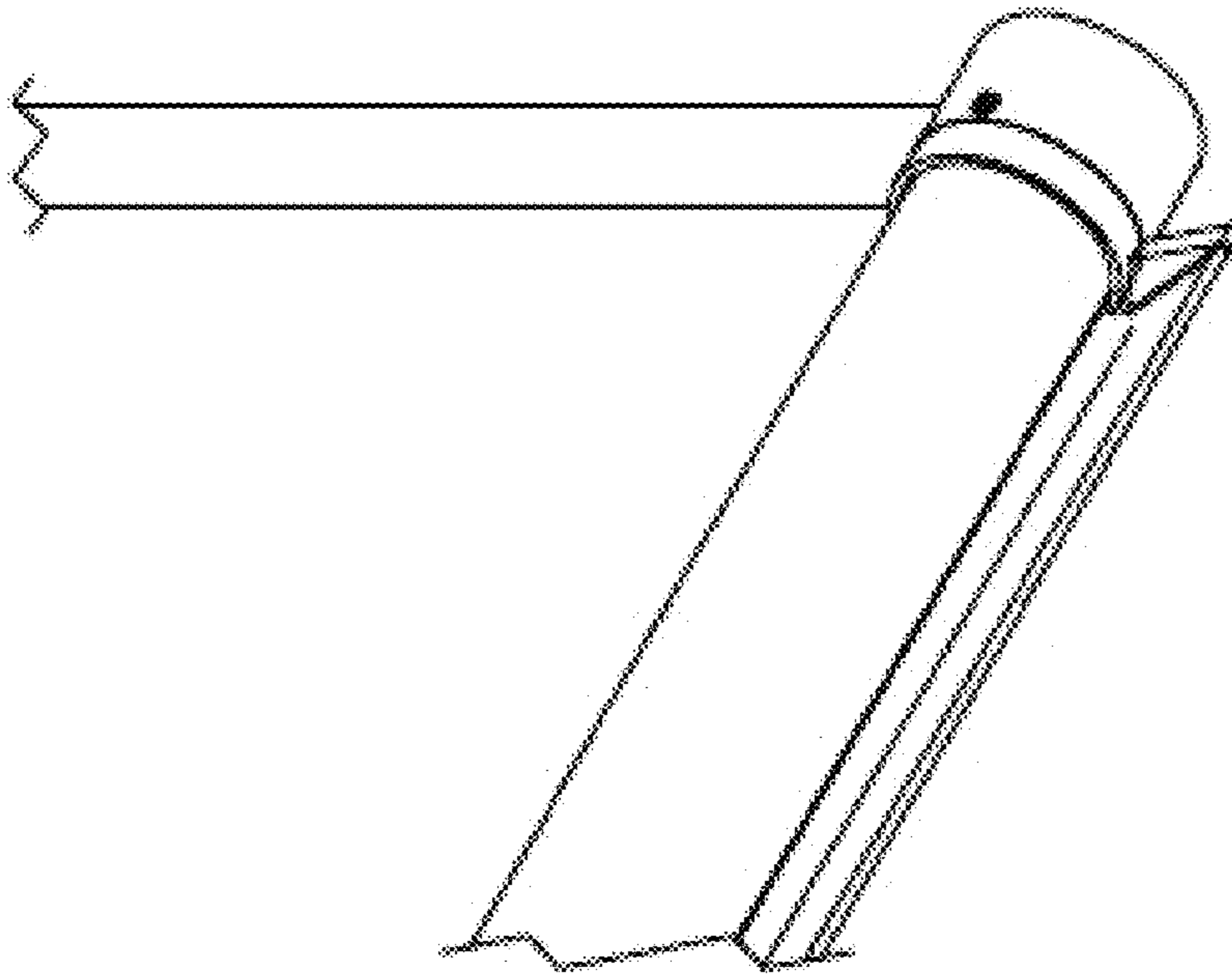


FIGURE 4

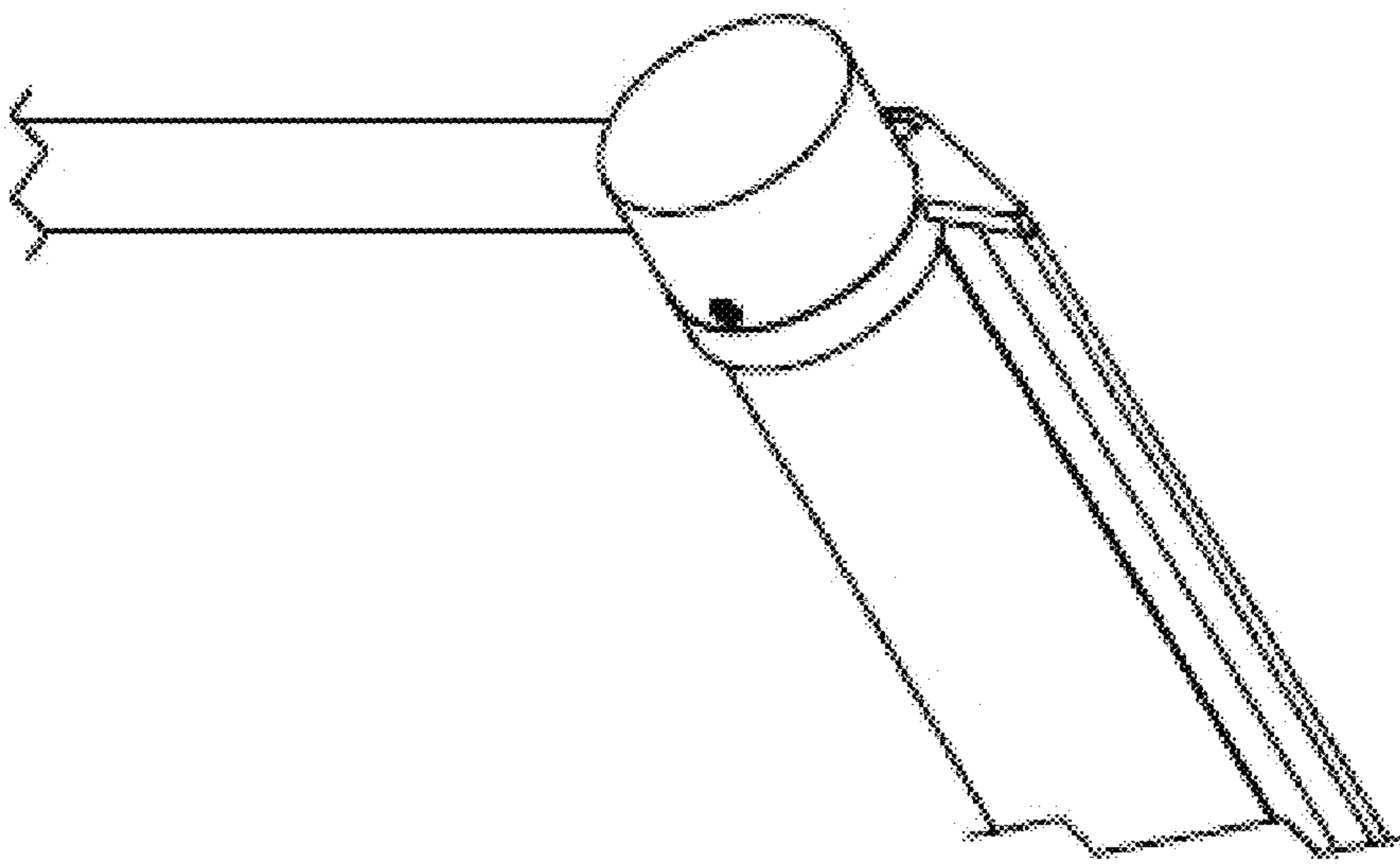


FIGURE 5

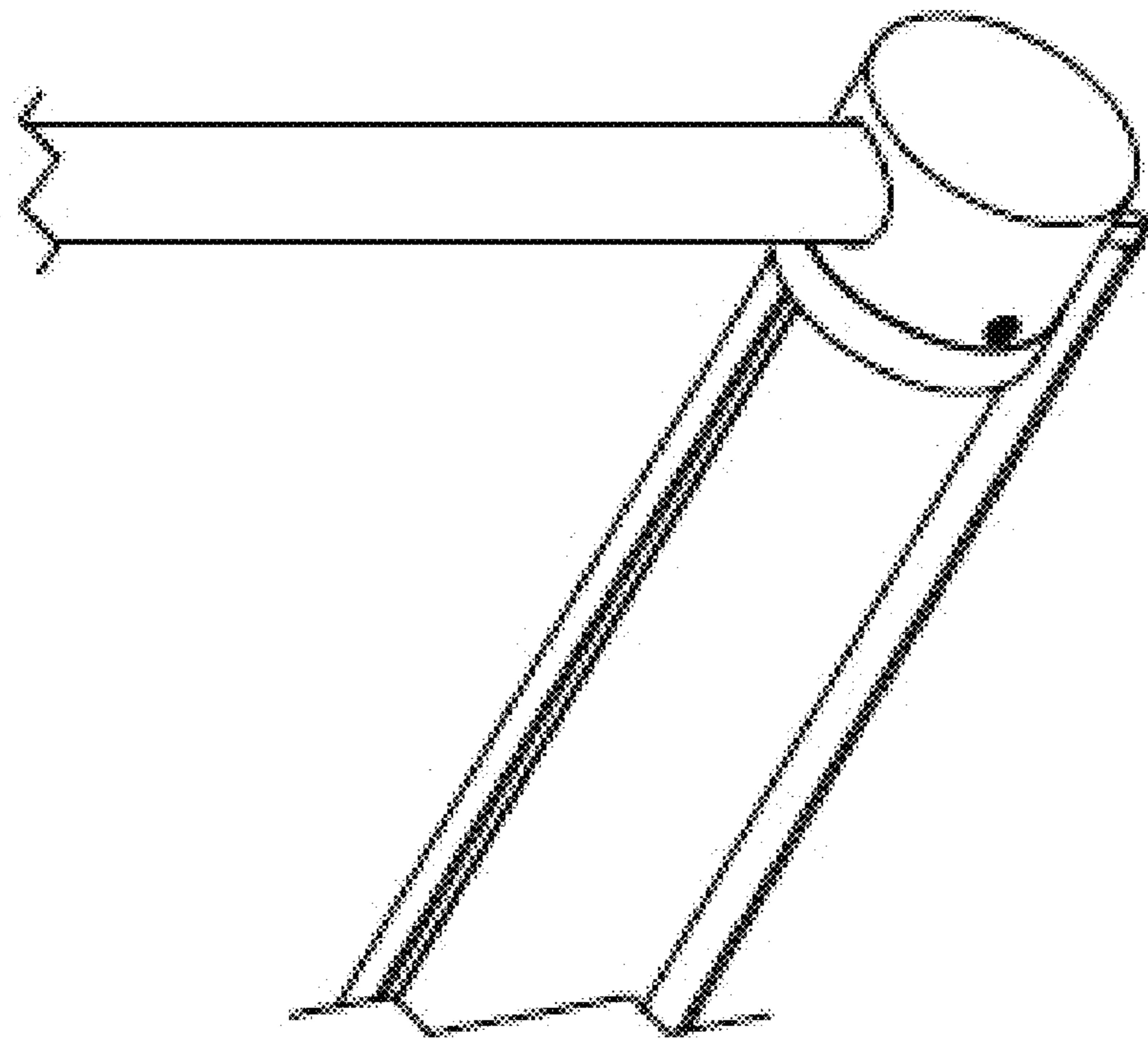


FIGURE 6