

US00D865254S

(12) **United States Design Patent**  
**Recker et al.**

(10) **Patent No.:** **US D865,254 S**  
(45) **Date of Patent:** **\*\* Oct. 29, 2019**

- (54) **PATH LIGHT** 5,134,550 A \* 7/1992 Young ..... F21S 8/088  
362/298
- (71) Applicant: **Amazon Technologies, Inc.**, Seattle, WA (US) D338,080 S 8/1993 Elazari  
D438,999 S 3/2001 Bossy  
7,056,113 B2 \* 6/2006 Bachinski ..... F21S 13/12  
431/344
- (72) Inventors: **Michael V. Recker**, Santa Monica, CA (US); **David Brett Levine**, Pepper Pike, OH (US); **Ryan David Hruska**, North Royalton, OH (US) D597,697 S 8/2009 Sabemig  
D626,677 S 11/2010 Hackett  
8,201,971 B2 6/2012 Chen  
D676,171 S 2/2013 Boissevain et al.  
D677,415 S \* 3/2013 Chen ..... D26/67  
D739,589 S 9/2015 Macura  
D752,268 S 3/2016 Paz  
D795,482 S 8/2017 Galipeau et al.  
(Continued)
- (\*\*) Term: **15 Years**

- (21) Appl. No.: **29/659,128**
- (22) Filed: **Aug. 6, 2018**

**Related U.S. Application Data**

- (63) Continuation of application No. 29/607,373, filed on Jun. 13, 2017, now Pat. No. Des. 828,603.
- (51) **LOC (12) Cl.** ..... **26-05**
- (52) **U.S. Cl.**  
USPC ..... **D26/68**
- (58) **Field of Classification Search**  
USPC ..... D26/67, 68, 85, 119, 129, 131, 132  
CPC .... F21S 8/032; F21S 8/081; F21S 9/03; F21S 9/037; F21W 2131/109; F21W 2111/02; F21W 2111/023; F21W 2111/06; F21W 21/0824  
See application file for complete search history.

(56) **References Cited**

**U.S. PATENT DOCUMENTS**

- 3,321,619 A \* 5/1967 Dailey ..... F21S 8/088  
362/367
- 3,721,516 A 3/1973 Reese
- 4,841,416 A \* 6/1989 Doss ..... F21S 8/088  
136/291

**OTHER PUBLICATIONS**

R-9811 Solar Light Bollard from Reliance Foundry. reliance-foundry.com visited Jul. 3, 2019. (Year: 2019).\*

(Continued)

*Primary Examiner* — Clare E Heflin  
(74) *Attorney, Agent, or Firm* — Lee & Hayes, P.C.

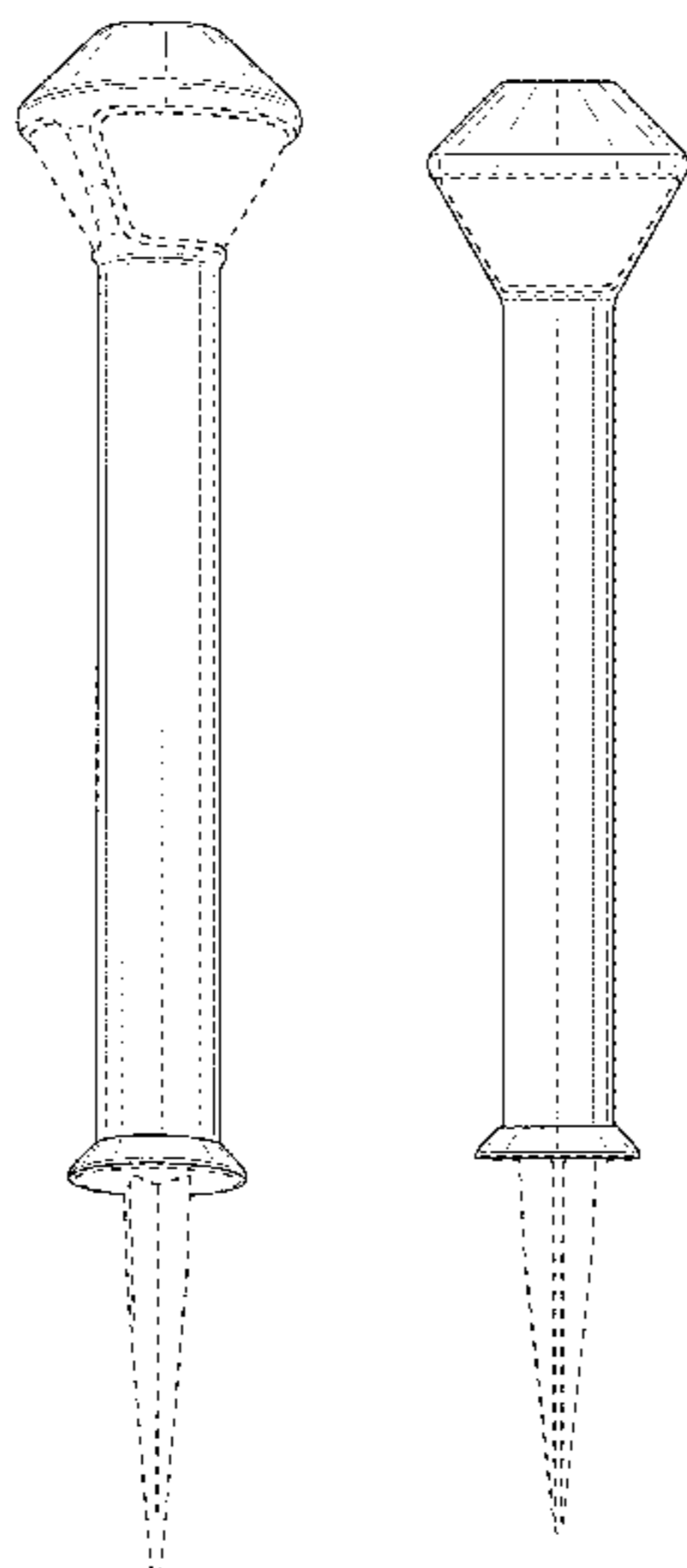
(57) **CLAIM**

The ornamental design for a path light, as shown and described.

**DESCRIPTION**

FIG. 1 is a front, right, bottom perspective view of a path light;  
FIG. 2 is a back, right perspective view thereof;  
FIG. 3 is a front elevation view thereof;  
FIG. 4 is a back elevation view thereof;  
FIG. 5 is a left side view thereof;  
FIG. 6 is a right side view thereof;  
FIG. 7 is a top plan view thereof; and,  
FIG. 8 is a bottom plan view thereof.  
The dashed broken lines depict portions of the path light that form no part of the claimed design.

**1 Claim, 8 Drawing Sheets**



(56)

**References Cited**

U.S. PATENT DOCUMENTS

D800,940 S 10/2017 Guzzini  
D828,603 S 9/2018 Recker et al.

OTHER PUBLICATIONS

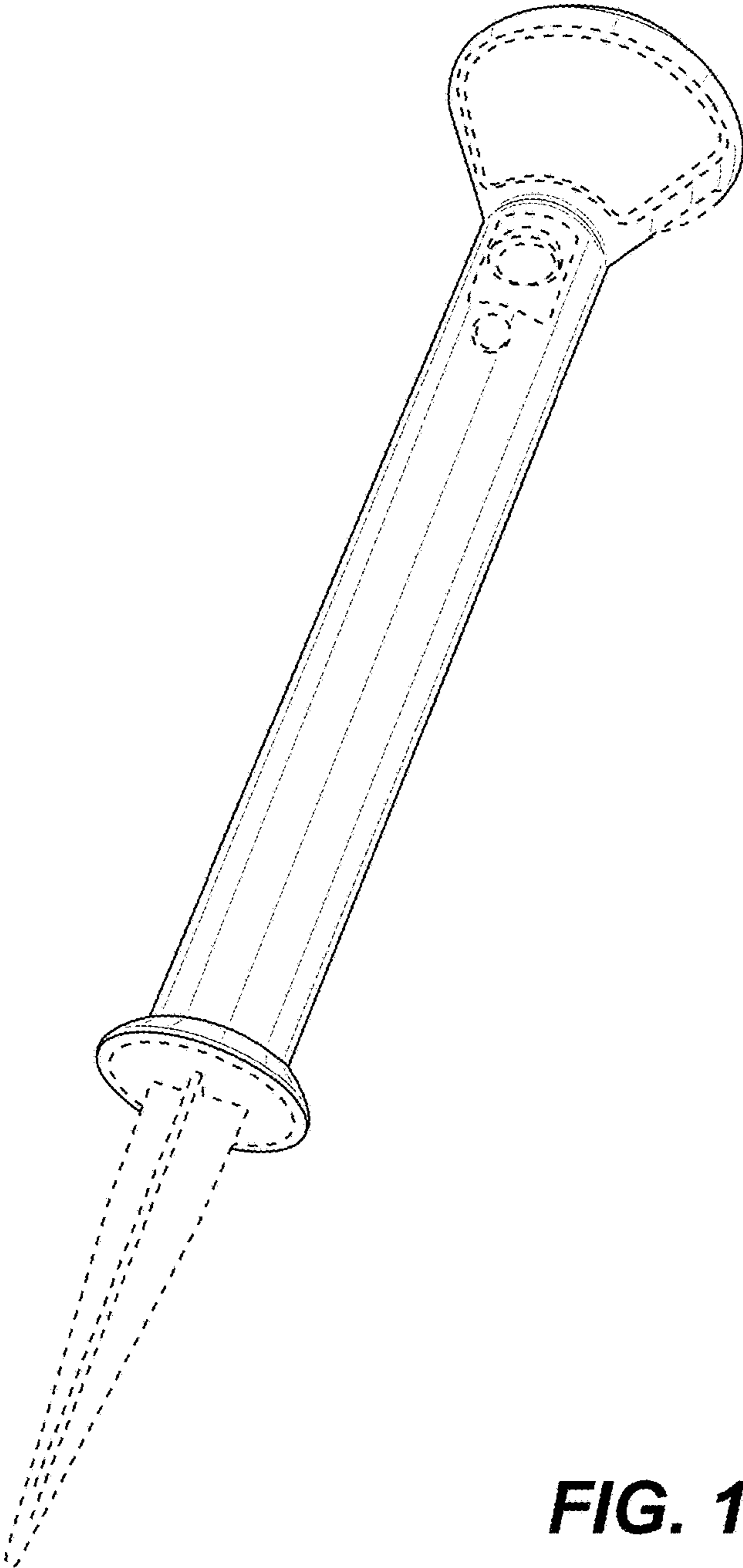
R-7542 Decorative Bollard from Reliance Foundry. reliance-foundry.com visited Jul. 3, 2019. (Year: 2019).\*

Kichler Lighting Textured Black LED Path Light. Model No. 16131 BKT28. Found at destinationlighting.com, visited Apr. 16, 2018. (Year: 2018) 1 page.

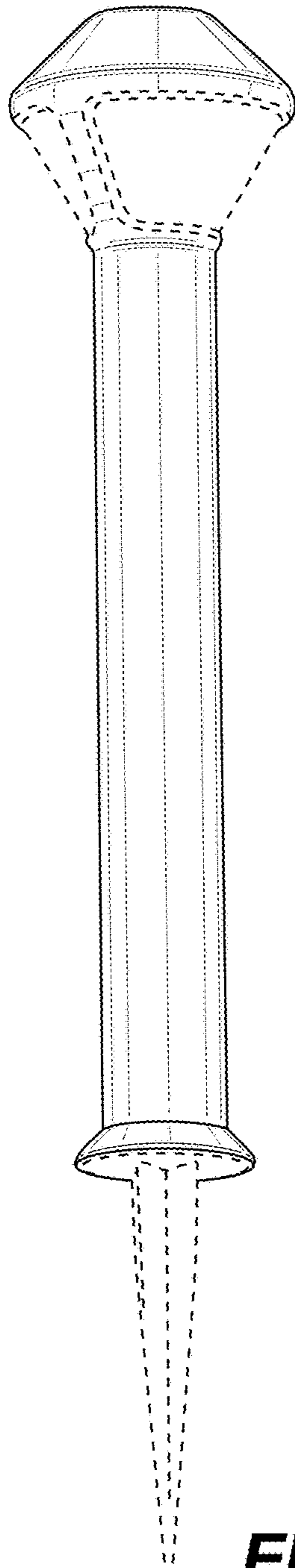
Kichler Lighting Textured Architectural Bronze LED Path Light. Model No. 15804AZT27R. Found at destinationlighting.com, visited Apr. 16, 2018. (Year 2018). 1 page.

Portfolio 3-Watt Aged Bronze Low Voltage LED Path Light. Model No. 00687. Found at lowes.com, visited Apr. 16, 2018, 4 pages.

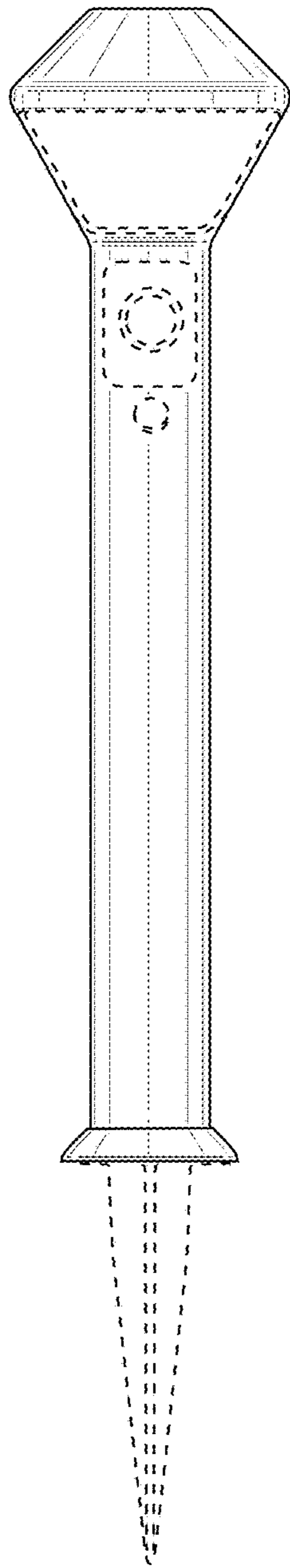
\* cited by examiner



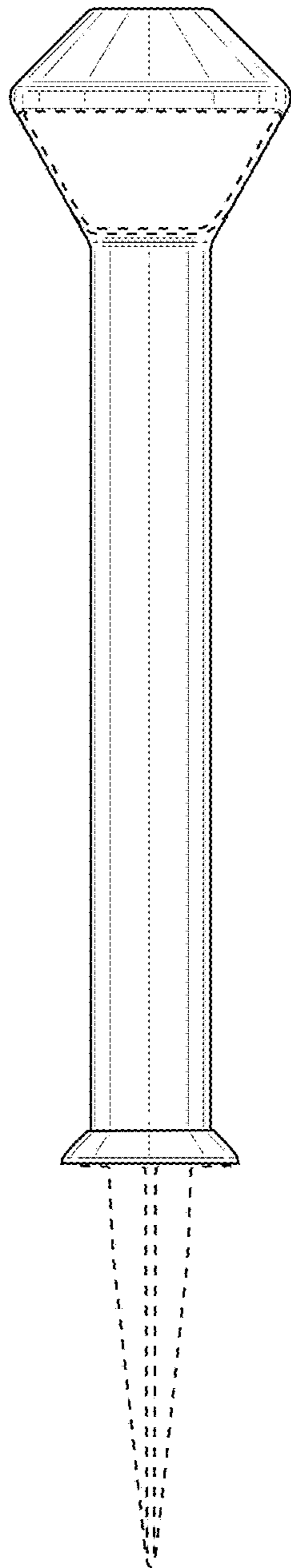
**FIG. 1**



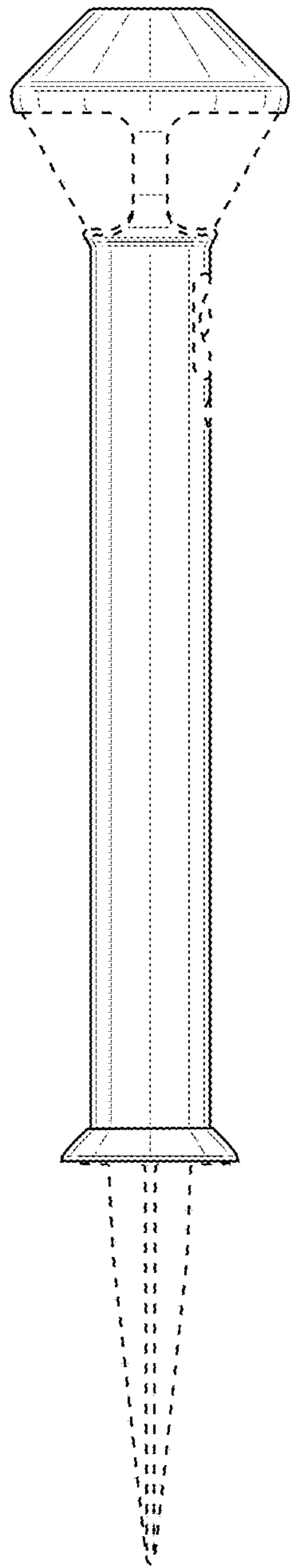
**FIG. 2**



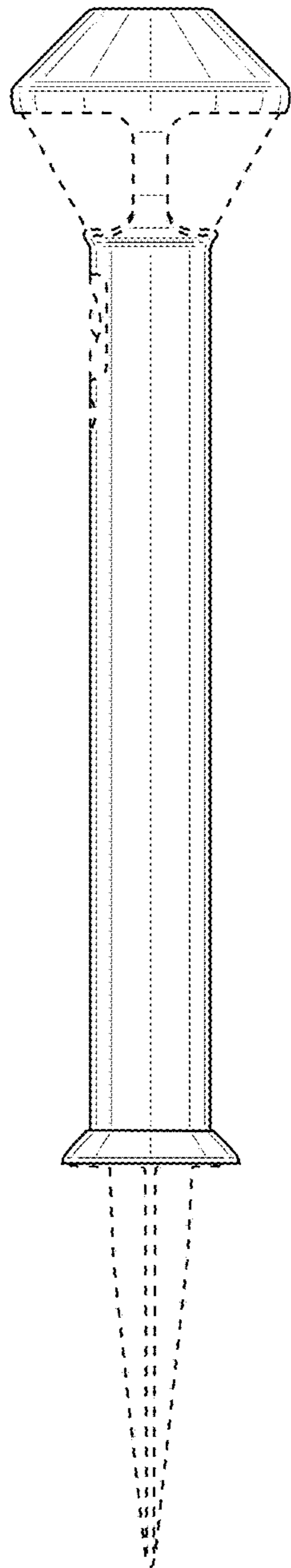
**FIG. 3**



**FIG. 4**

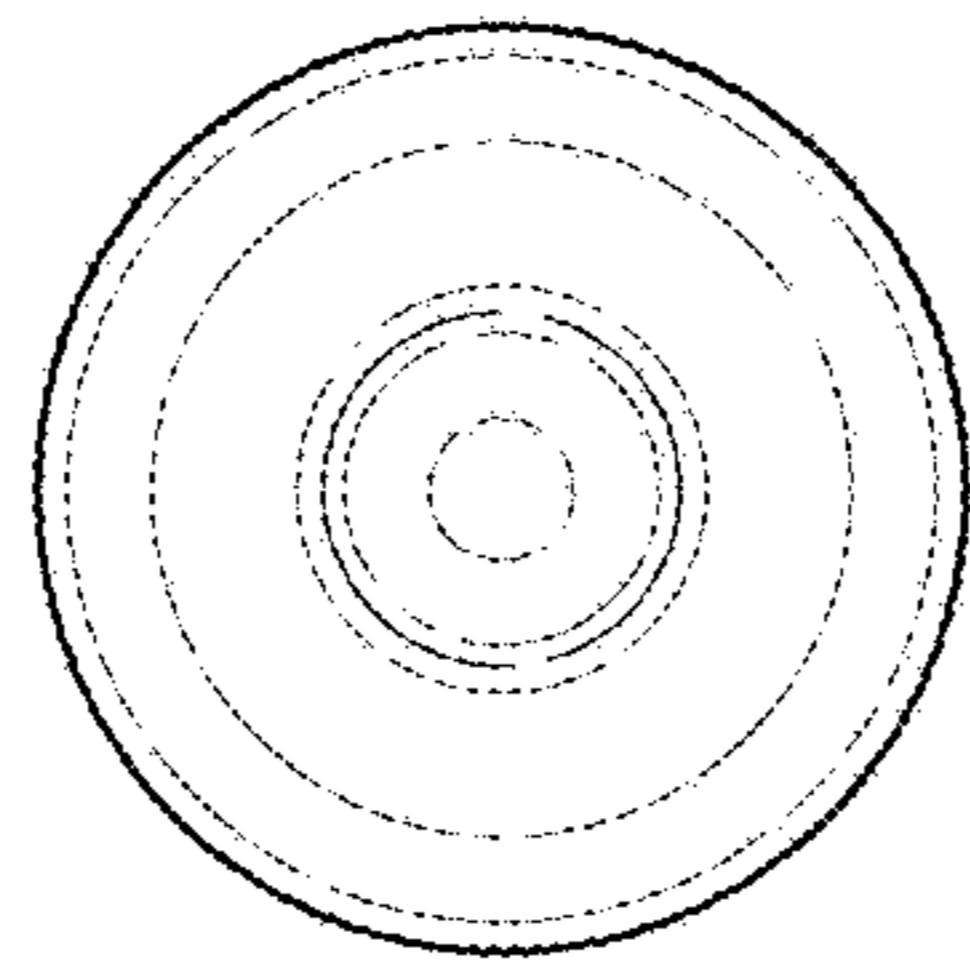


**FIG. 5**

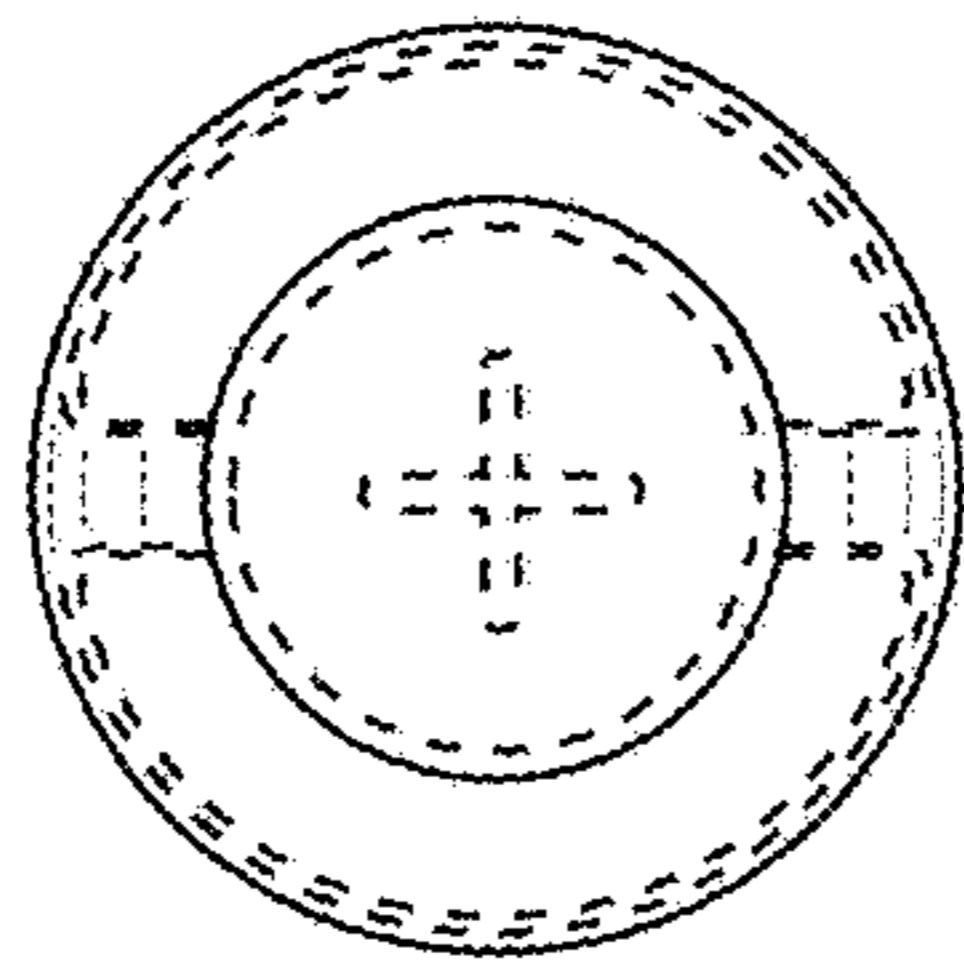


**FIG. 6**





**FIG. 7**



**FIG. 8**