

US00D865252S

(12) **United States Design Patent**
Peters et al.

(10) **Patent No.:** **US D865,252 S**
(45) **Date of Patent:** **** Oct. 29, 2019**

(54) **CHARGE LIGHT**

FOREIGN PATENT DOCUMENTS

(71) Applicant: **ANNEX PRODUCTS PTY. LTD.**,
Pahran (AU)

CN 204279748 U 4/2015

(72) Inventors: **Christopher Peters**, Pahran (AU);
Leigh Ryan, Sandringham (AU)

OTHER PUBLICATIONS

(73) Assignee: **ANNEX PRODUCTS PTY. LTD.**,
Pahran (AU)

Soonfire FD38S USB Rechargeable Bike Headlight, dated Jul. 25, 2016, [online], [site visited Jun. 5, 2019]. Available from Internet, URL: <http://www.soonfire.com/bike-light-c-51/soonfire-fd38s-usb-rechargeable-bike-headlight-p-413.html?zenid=1d1hvhj46a26i5i21s2t657q06#product-reviews> (Year: 2016).*

(**) Term: **15 Years**

(Continued)

(21) Appl. No.: **29/648,637**

Primary Examiner — Angela J Lee

(22) Filed: **May 23, 2018**

Assistant Examiner — Shawn T Gingrich

(51) **LOC (12) Cl.** **26-03**

(74) *Attorney, Agent, or Firm* — Barnes & Thornburg LLP

(52) **U.S. Cl.**

USPC **D26/60**; D26/28

(58) **Field of Classification Search**

USPC ... D26/1, 24, 28, 37, 39, 41, 42, 44, 50, 60,
D26/61, 85, 102, 113, 138-140;
D13/102, 103, 108

CPC B26J 6/00; B26J 6/02; F21L 4/00; F21L
4/02; F21L 4/04; F21L 4/08; F21V 7/00;
F21V 21/00; F21V 21/08; F21V 23/00;
F21V 23/04; F21V 33/00; F41G 1/35;
H02J 7/00; H02J 7/02; H04N 5/225

See application file for complete search history.

(57) **CLAIM**

We claim the ornamental design for a charge light, as shown and described.

DESCRIPTION

FIG. 1 is a front perspective view of a charge light in accordance with our new design;
FIG. 2 is a rear perspective view of the charge light of FIG. 1;
FIG. 3 is a front elevation view of the charge light of FIG. 1;
FIG. 4 is a rear elevation view of the charge light of FIG. 1;
FIG. 5 is a right-side elevation view of the charge light of FIG. 1;
FIG. 6 is a left-side elevation view of the charge light of FIG. 1;
FIG. 7 is a top plan view of the charge light of FIG. 1; and,
FIG. 8 is a bottom plan view of the charge light of FIG. 1.
The broken lines depict portions of the charge light that form no part of the claimed design.

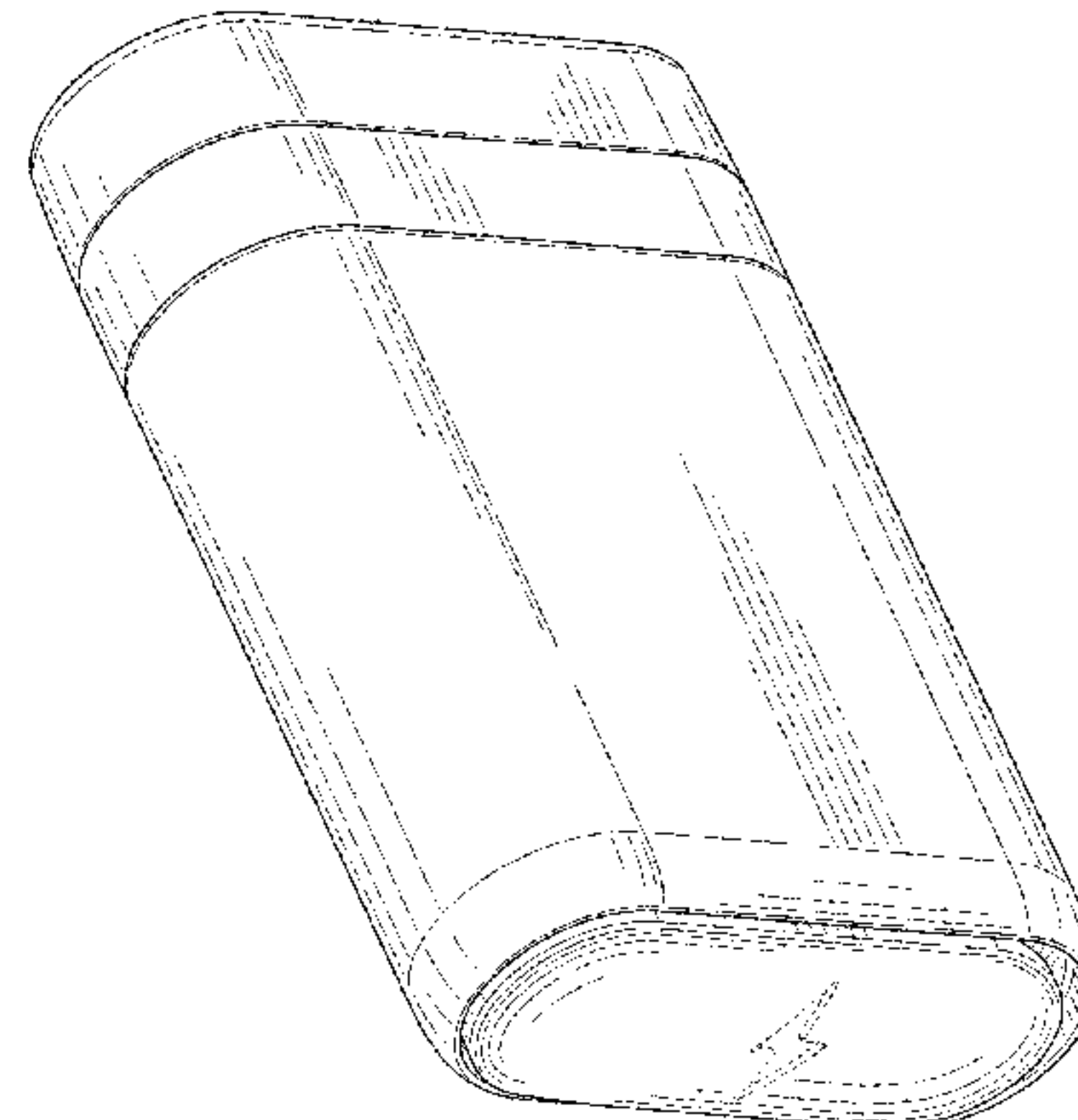
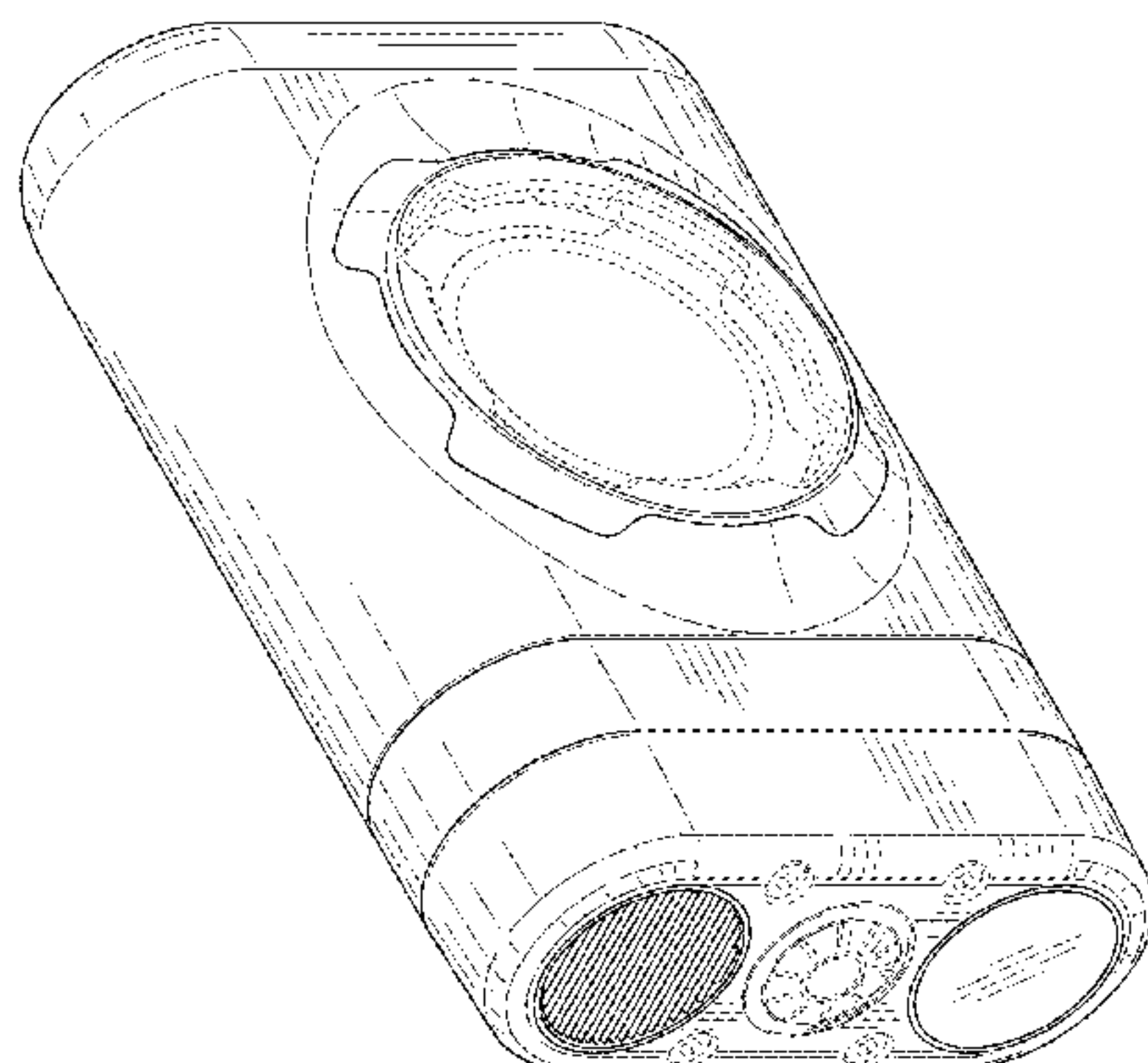
(56) **References Cited**

U.S. PATENT DOCUMENTS

1,278,738 A * 9/1918 Petrie F21L 4/00
224/221
D311,780 S * 10/1990 Urquhart D26/46
D329,505 S * 9/1992 Miller D26/63
D344,358 S * 2/1994 Yuen D14/168
5,842,714 A 12/1998 Spector
5,921,669 A 7/1999 Taylor et al.
6,017,140 A 1/2000 Chou
D518,584 S * 4/2006 Chan D26/37

(Continued)

1 Claim, 8 Drawing Sheets



(56)

References Cited

U.S. PATENT DOCUMENTS

D553,276	S *	10/2007	Campbell	D26/37
D569,023	S *	5/2008	Lee	D26/60
D571,492	S *	6/2008	Lee	D26/37
D571,941	S *	6/2008	Lee	D26/37
D580,077	S *	11/2008	Sham	D26/37
D580,078	S *	11/2008	Lee	D26/37
7,845,817	B1 *	12/2010	Miller	F41G 1/35 362/110
8,303,129	B1 *	11/2012	Thielen	F21L 4/00 362/103
D678,562	S	3/2013	Chan		
D706,468	S *	6/2014	Nagano	D26/28
D717,979	S *	11/2014	Ueda	D26/28
8,974,098	B2	3/2015	McCaslin et al.		
9,243,739	B2	1/2016	Peters		
D759,859	S *	6/2016	Ng	D26/28
D765,899	S *	9/2016	Hine	D26/49
D783,188	S *	4/2017	Espejo	D26/28
D809,692	S *	2/2018	Tsao	D26/60
D846,781	S *	4/2019	Lee	D26/38
2012/0218771	A1 *	8/2012	Yen	B62J 6/02 362/473
2013/0318775	A1 *	12/2013	Peters	F16M 13/00 29/592.1

OTHER PUBLICATIONS

Fly12 combines a bike headlight and an HD camera, dated Feb. 12, 2015, [online], [site visited Jun. 5, 2019]. Available from Internet, URL: <https://newatlas.com/fly12-bicycle-headlight-camera/36062/> (Year: 2015).*

3 Port USB 50000 Mah Portable Power Bank Charger with Flash Light, GearJustForYou, accessed on-line at: <https://gearjustforyou.com/products/50000mah-power-bank-with-flash> (available prior to filing of the present application).

BC30 Fenix Bike Light—Fenix Flashlights, accessed on-line at: <https://www.fenixlighting.com/product/bc30-fenix-bike-light/> (available prior to filing of the present application).

Best bike lights for road cycling, BikeRadar, accessed on-line at: <https://www.bikeradar.com/gear/article/best-bike-lights-for-road-cycling-32289/> (available prior to filing of the present application).

Best Power Banks 2018, Tech Advisor, accessed on-line at: <https://www.techadvisor.co.uk/test-centre/mobile-phone/best-power-banks-2018-3534490/> (available prior to filing of the present application).

LANIAKEA 8000mAh Solar Charger, 3 Port USB and 21LED Light Solar Power Bank Portable Battery Phone Charger, accessed on-line at: <https://www.vestpak-usafe.com/LANIAKEA8000mAhSolarCharger3PortUSBand21LEDLightSolarPowerBankPortableBatteryPhoneChargerSolarPa>, (available prior to filing of the present application).

Power Bank Light—Power Bank Black Mirror Manufacturer from New Delhi, accessed on-line at: <https://www.indiamart.com/hi-tel/power-bank-light.html> (available prior to filing of the present application).

Quad Lock—Mounts, Annex Products Pty Ltd., accessed on-line at: www.quadlockcase.com/collections/shop-mounts (available prior to filing of the present application).

SG-T2200—2200 lumen high quality long duration light set, Bright Bike Lights, accessed on-line at: <http://www.brightbikelights.com/sg-t2200-2200-lumen-high-quality-long-duration-light-set> (available prior to filing of the present application).

Why not have a power bank with the LED flashlight?, EasyAcc, Media, accessed on-line at: <https://www.easyacc.com/media-center/why-not-have-a-power-bank-with-the-led-flashlight/> (available prior to filing of the present application).

Xiaomi Mi 16000 mAh Power Bank Review—New and Bigger, xyz times, accessed on-line at: <https://www.xyztimes.com/1764/xiaomi-mi-16000-mah-power-bank-review-new-and-bigger.html> (available prior to filing of the present application).

* cited by examiner

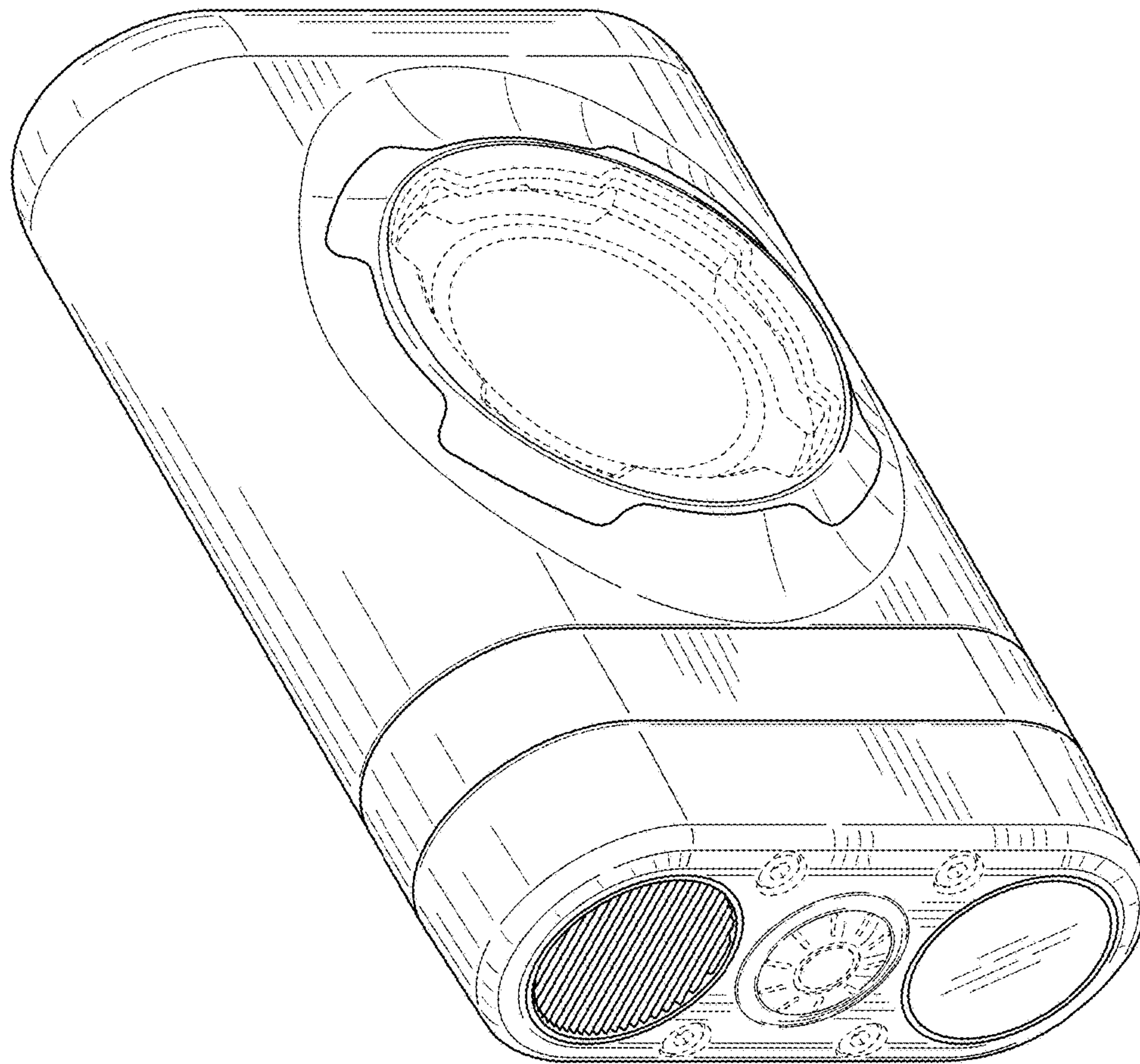


FIG. 1

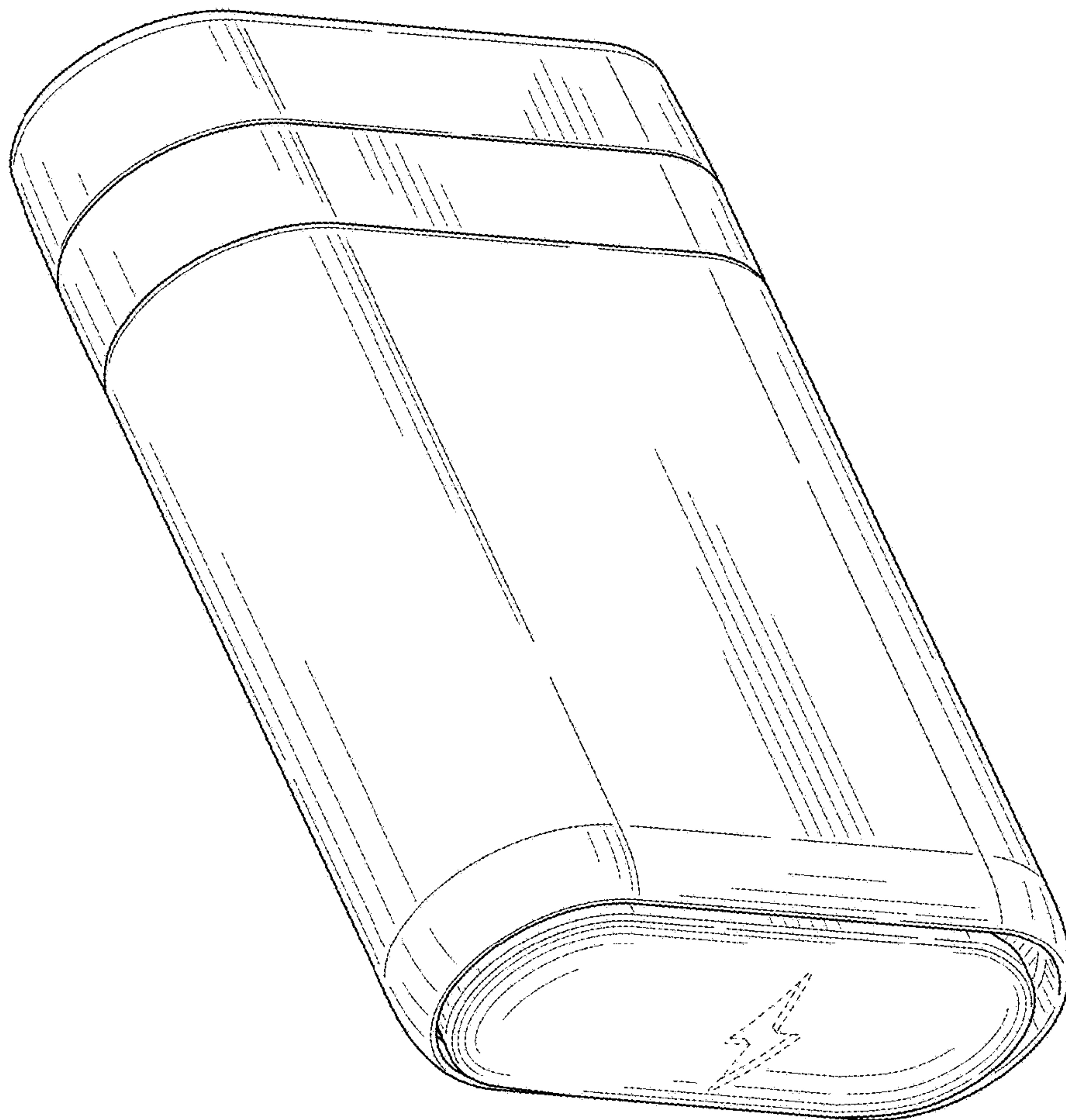


FIG. 2

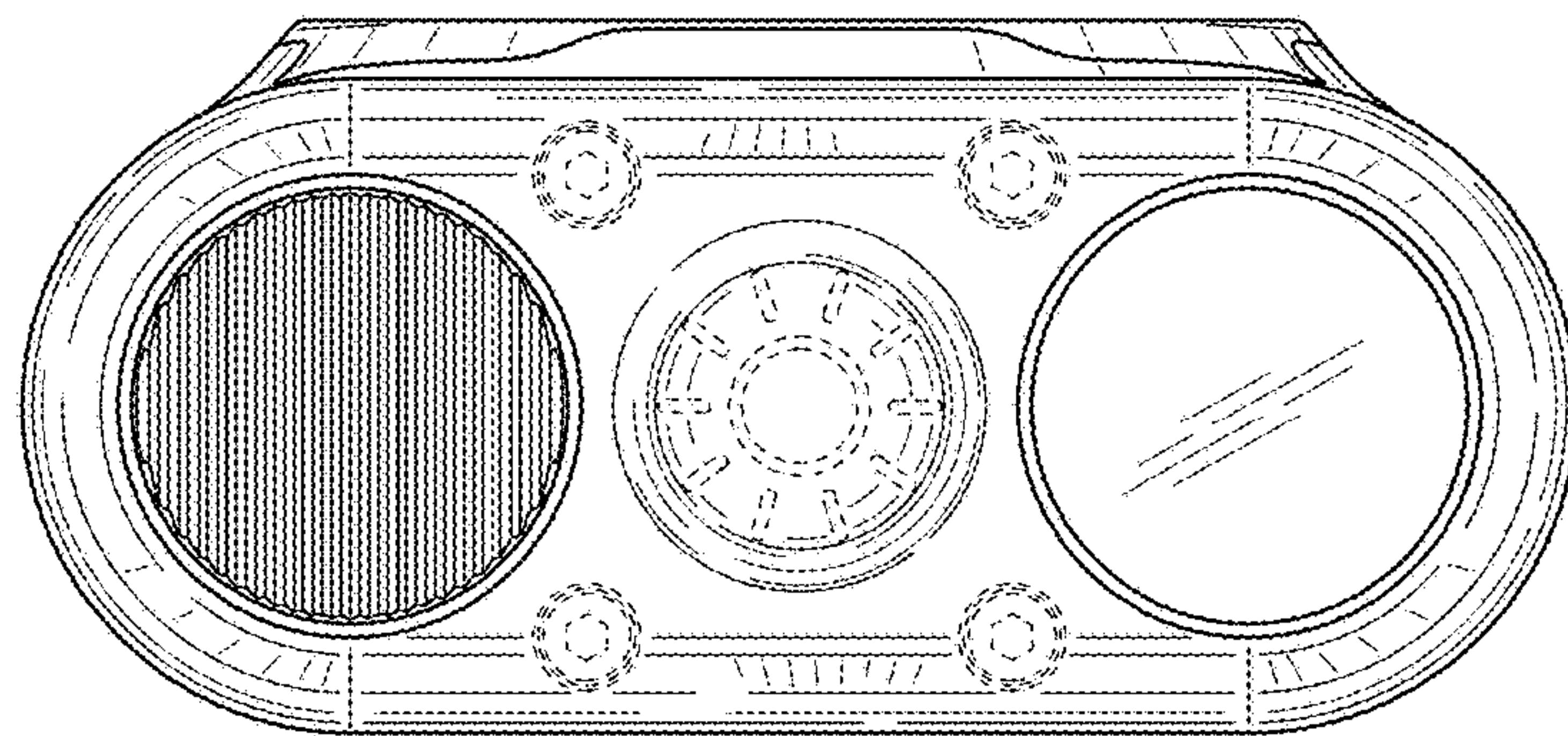


FIG. 3

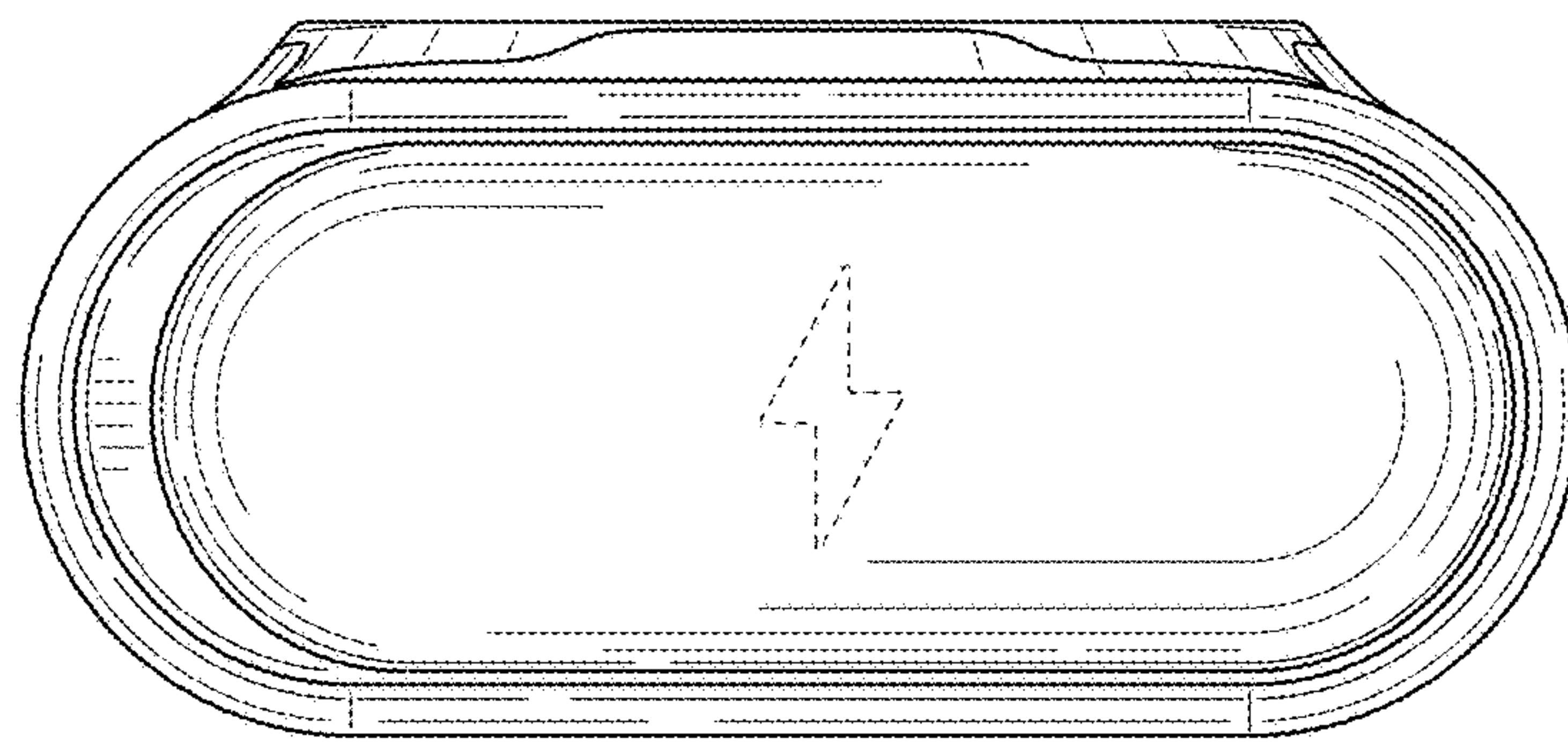


FIG. 4

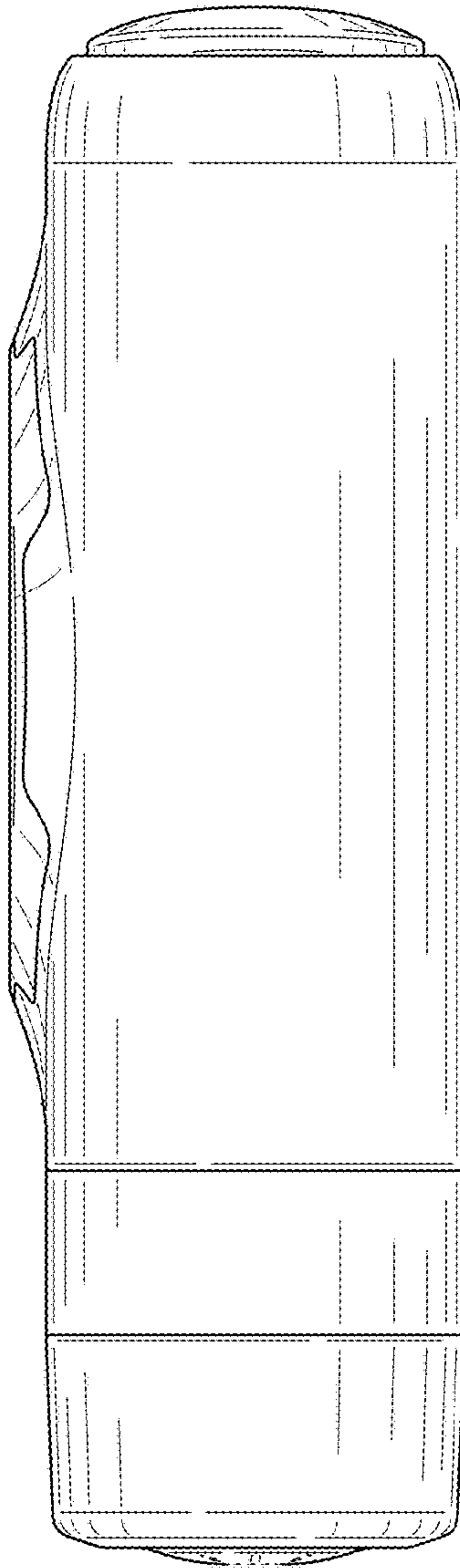


FIG. 5

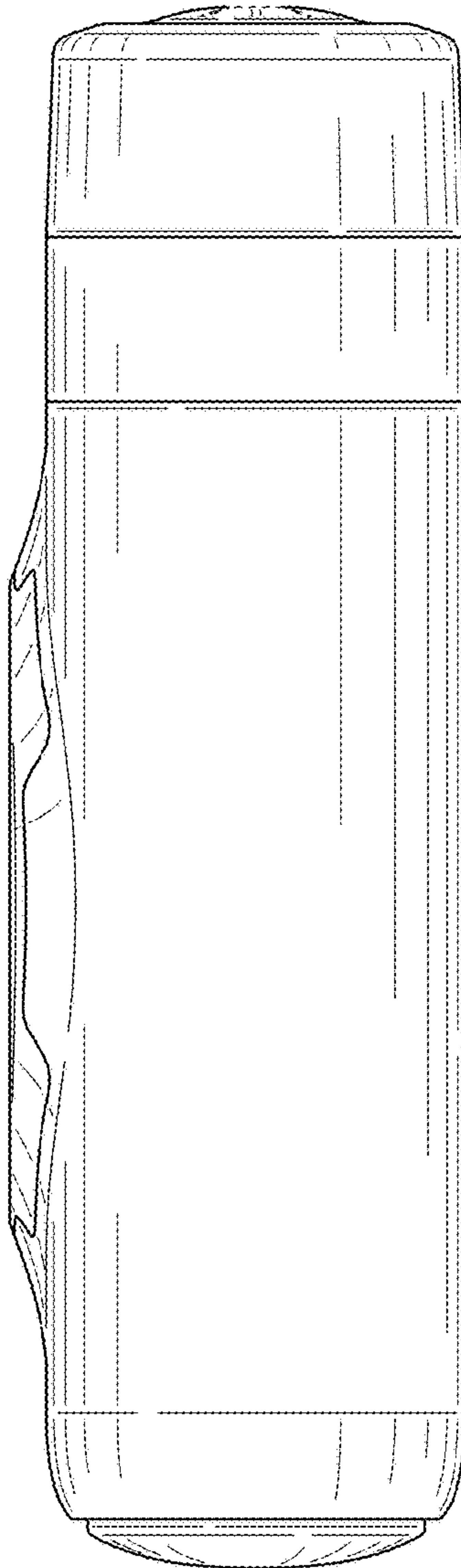


FIG. 6

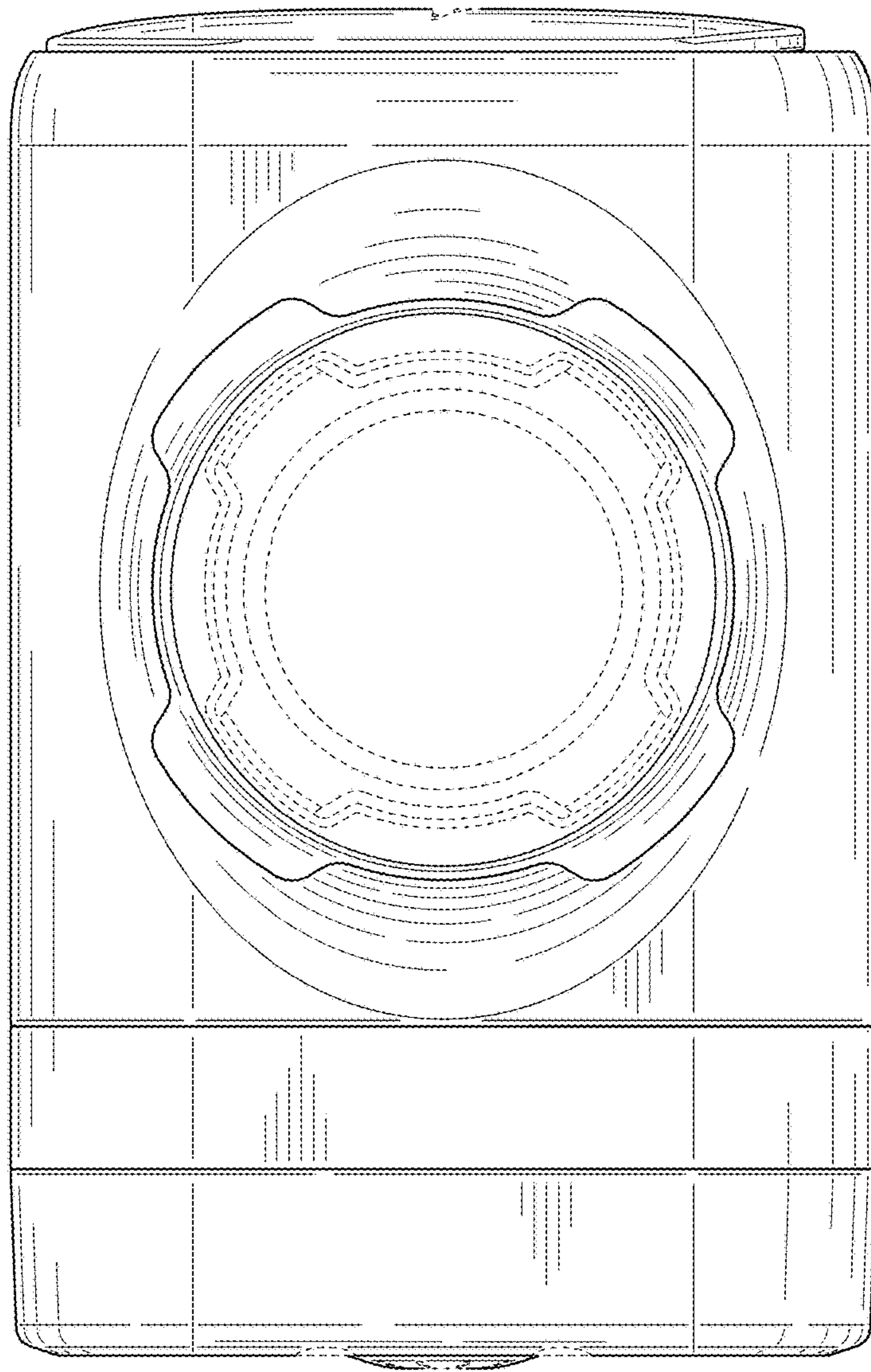


FIG. 7

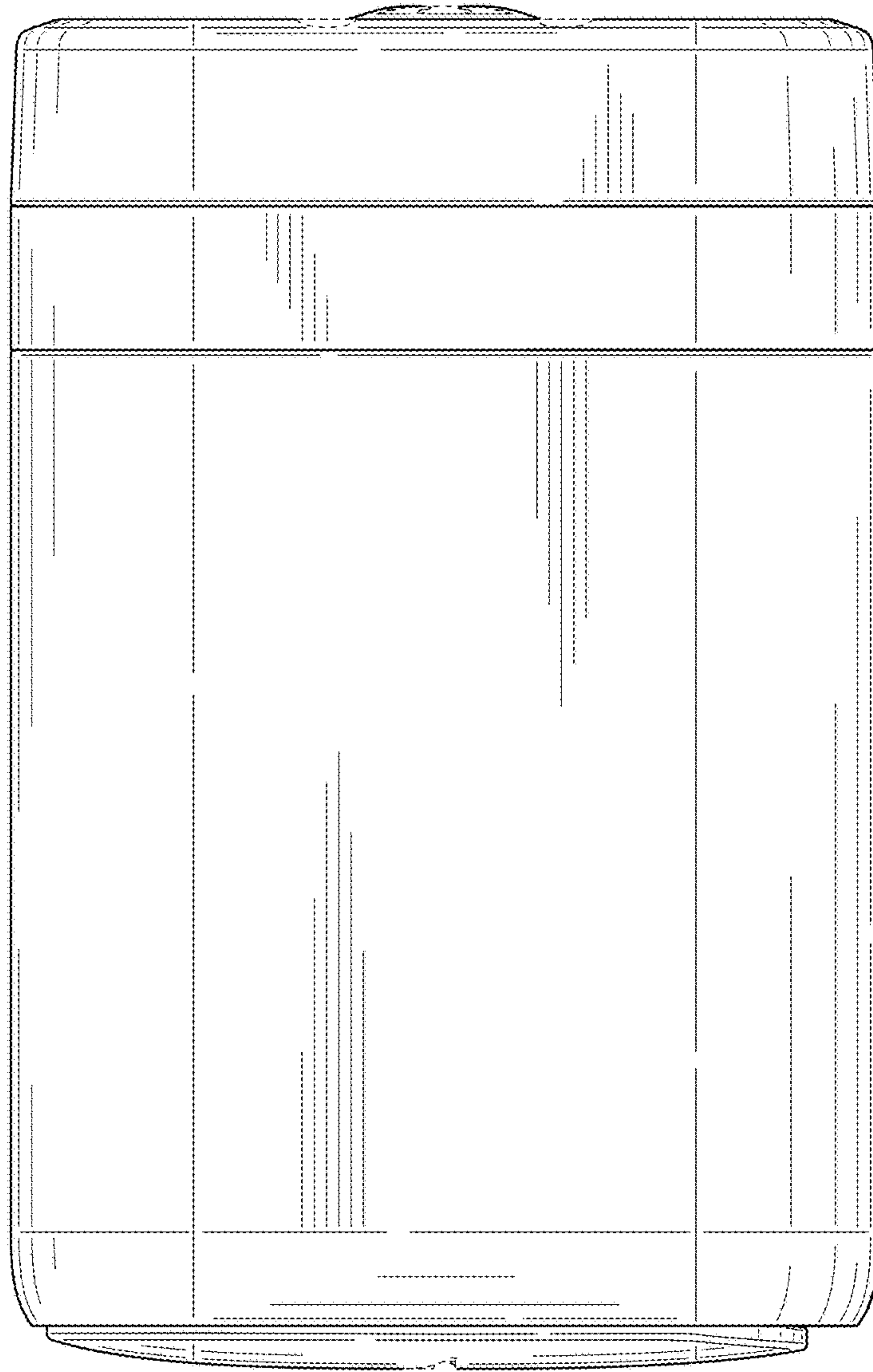


FIG. 8