



US00D865251S

(12) **United States Design Patent**
Hardman

(10) **Patent No.:** **US D865,251 S**
(45) **Date of Patent:** **** Oct. 29, 2019**

(54) **FLASHLIGHT RESEMBLING AIRCRAFT
ENGINE COWLING**
(71) Applicant: **GOVOLT LLC**, Gainesville, GA (US)
(72) Inventor: **Scott Hardman**, Gainesville, GA (US)
(73) Assignee: **GOVOLT LLC**, Gainesville, GA (US)
(**) Term: **15 Years**

(21) Appl. No.: **29/603,155**
(22) Filed: **May 7, 2017**
(51) **LOC (12) Cl.** **26-02**
(52) **U.S. Cl.**
USPC **D26/49**
(58) **Field of Classification Search**
USPC D26/37-51
CPC F21L 2003/00; F21L 4/00; F21L 4/005;
F21L 4/02; F21L 4/025; F21L 4/027;
F21L 4/04; F21L 4/08; F21L 2005/00;
F21L 7/00; F21L 11/00; F21L 13/00;
F21L 13/04; F21L 13/08; F21L 14/02;
F21L 17/00; F21L 19/00; F21L 25/00
See application file for complete search history.

(56) **References Cited**
U.S. PATENT DOCUMENTS
D513,642 S * 1/2006 Zhang D26/49
D604,437 S * 11/2009 Yang D26/49

D608,482 S * 1/2010 Brown D26/49
D629,543 S * 12/2010 Deguglimo D26/49
D639,476 S * 6/2011 Robinson D26/49
D675,357 S * 1/2013 Shi D26/49
D687,583 S * 8/2013 von Waldthausen D26/46
D706,476 S * 6/2014 Lee D26/49
D732,722 S * 6/2015 Kunzendorf D26/49
D792,625 S * 7/2017 Koshiba D26/49

* cited by examiner

Primary Examiner — Lakiya G Rogers
Assistant Examiner — Carissa C Fitts
(74) *Attorney, Agent, or Firm* — Clayton, McKay & Bailey, PC

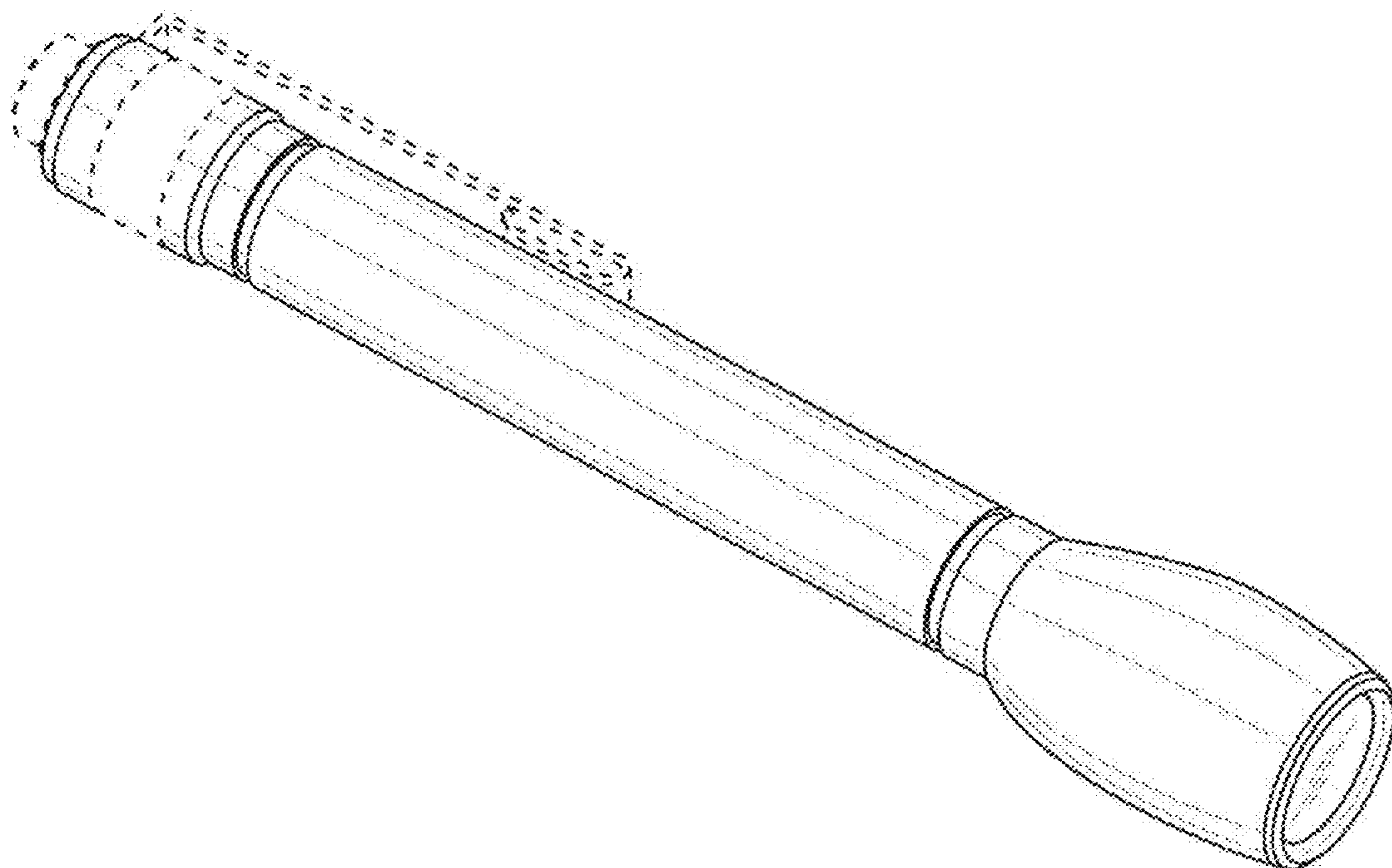
(57) **CLAIM**

The ornamental design for a flashlight resembling aircraft engine cowling, as shown and described.

DESCRIPTION

FIG. 1 is a perspective view of a flashlight resembling aircraft engine cowling, showing applicant's new design. FIG. 2 is a front view of the flashlight. FIG. 3 is a rear view of the flashlight. FIG. 4 is a right-side view of the flashlight. FIG. 5 is a left-side view of the flashlight. FIG. 6 is a top-down view of the flashlight; and, FIG. 7 is a bottom-up view of the flashlight. The broken lines showing grip features, a button, and a clip are not part of the claimed design.

1 Claim, 7 Drawing Sheets



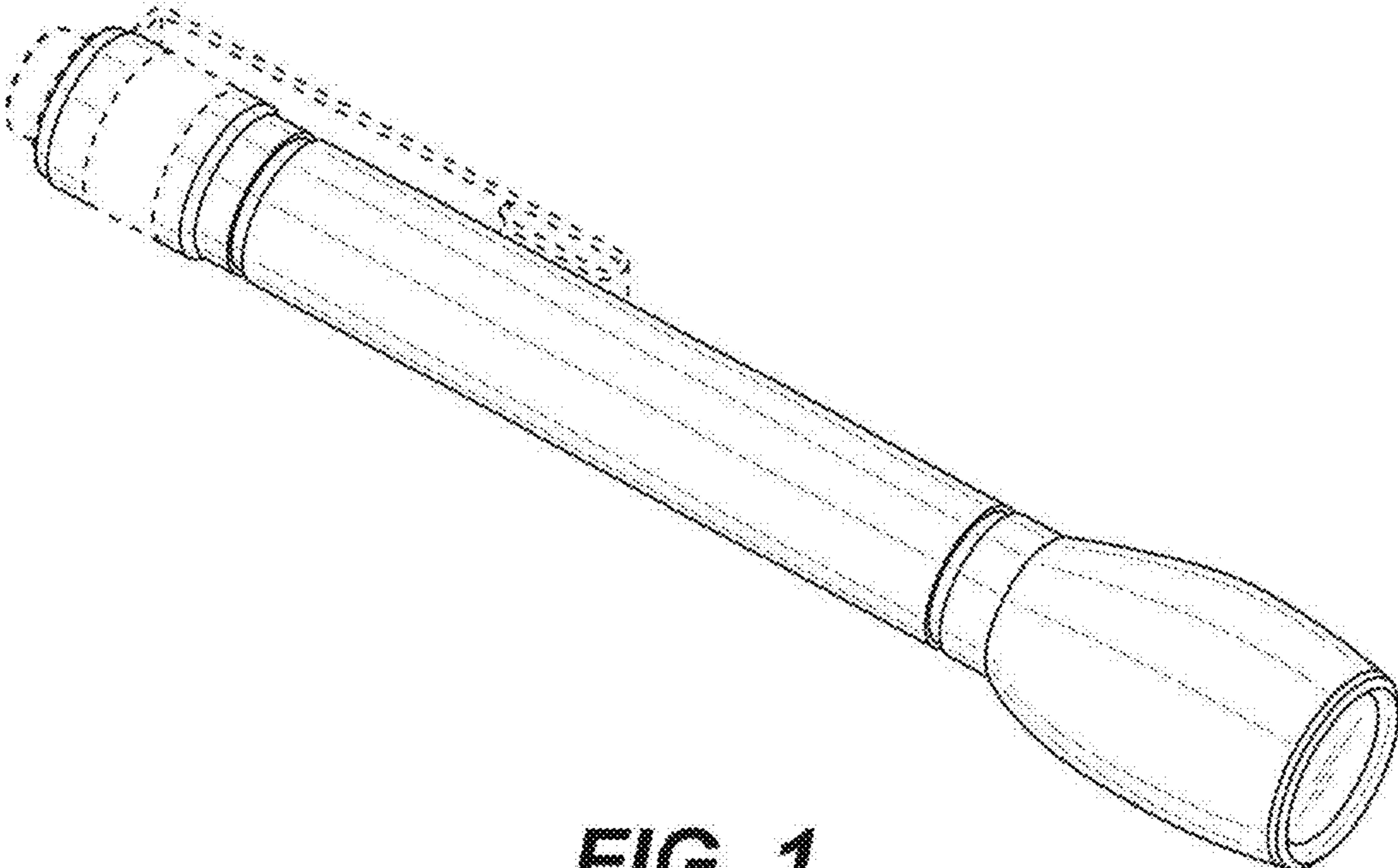


FIG. 1

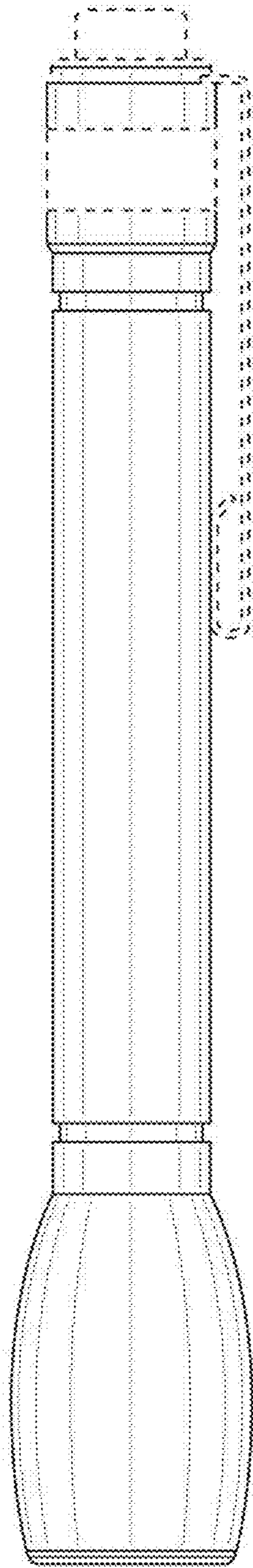


FIG. 2

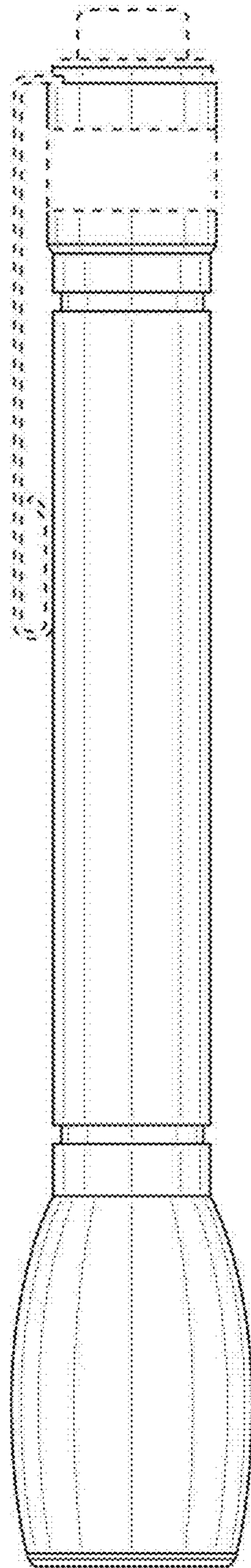


FIG. 3

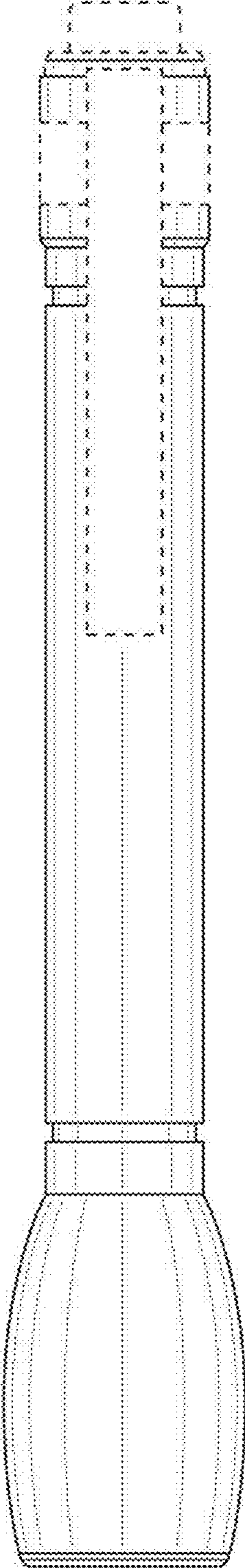


FIG. 4

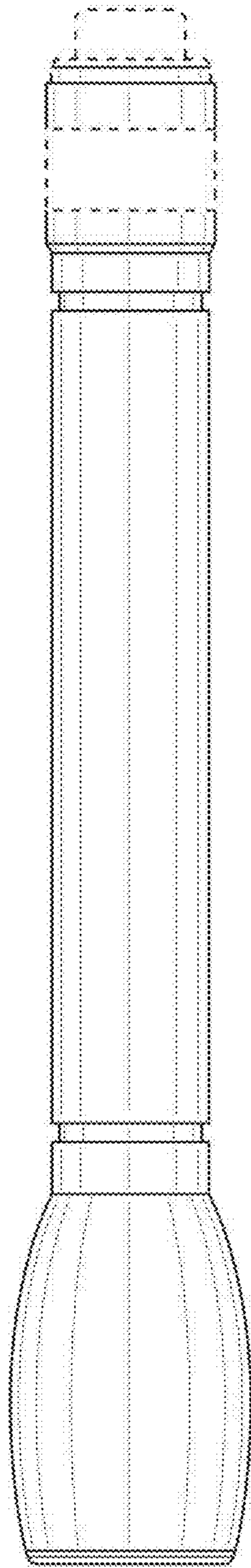


FIG. 5

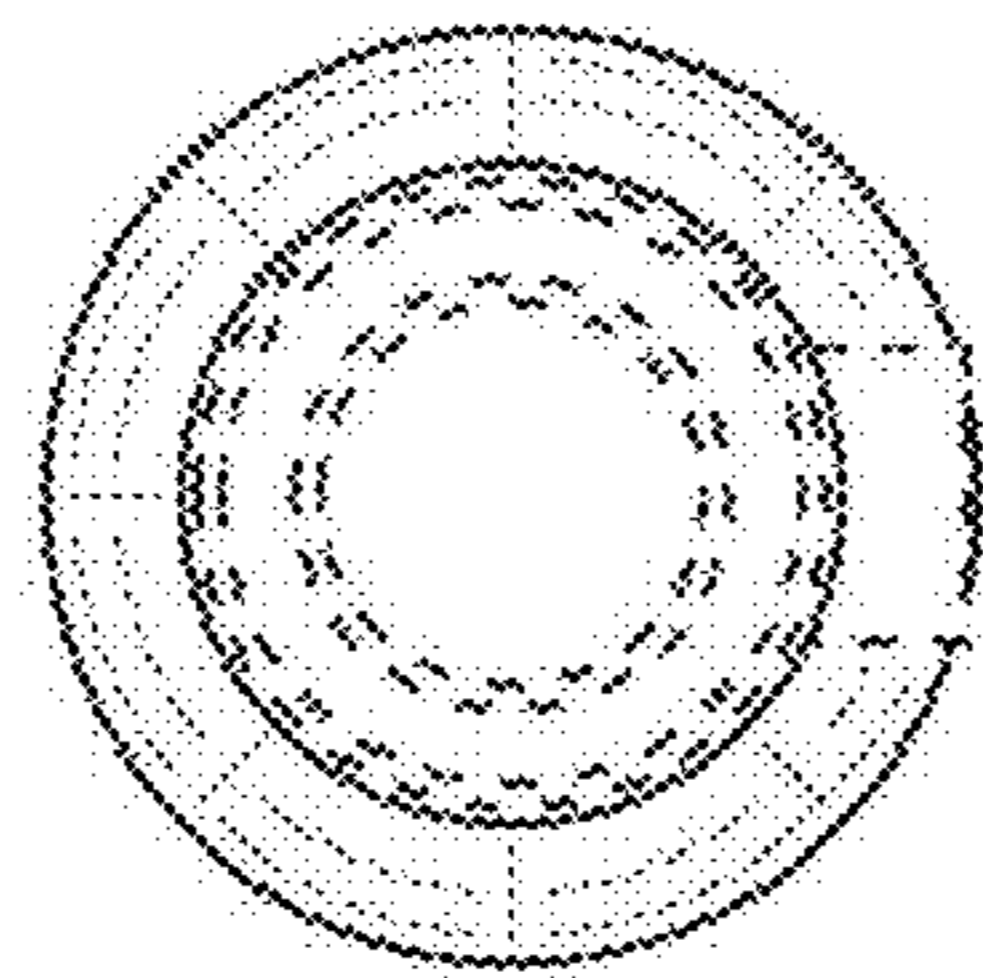


FIG. 6

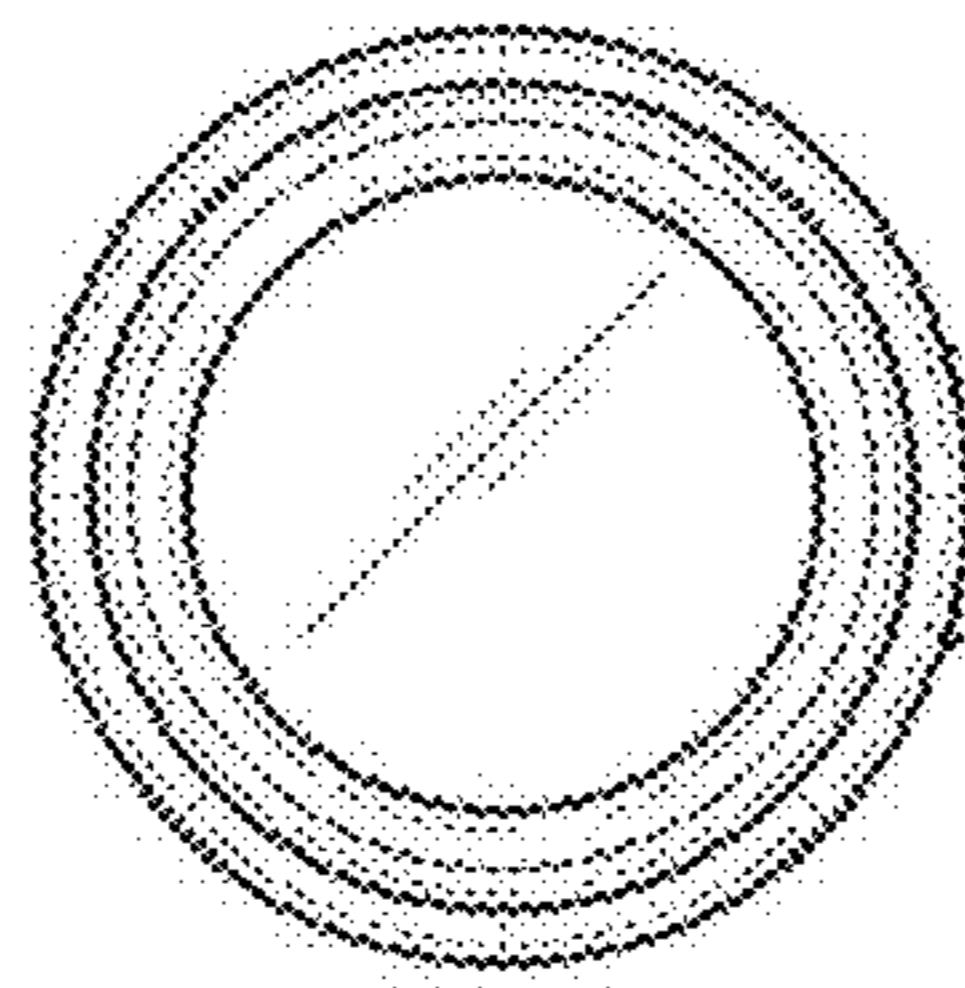


FIG. 7