



US00D865249S

(12) **United States Design Patent** (10) **Patent No.:** **US D865,249 S**
Wu (45) **Date of Patent:** **** Oct. 29, 2019**

(54) **HEADLAMP**
(71) Applicant: **Xianbo Wu**, Shanghai (CN)
(72) Inventor: **Xianbo Wu**, Shanghai (CN)
(**) Term: **15 Years**
(21) Appl. No.: **29/632,355**

D752,259 S * 3/2016 Hine D26/39
D758,630 S * 6/2016 Li D26/39
D762,317 S * 7/2016 Ormsbee D26/39
D788,337 S * 5/2017 Koshiba D26/39
D788,339 S * 5/2017 Koshiba D26/39
D803,442 S * 11/2017 Green D26/39
D814,083 S * 3/2018 Green D26/39
D821,007 S * 6/2018 Chen D26/39
D828,597 S * 9/2018 Petzl D26/39
D830,601 S * 10/2018 Petzl D26/39
D843,037 S * 3/2019 Li D26/39

(22) Filed: **Jan. 7, 2018**
(51) **LOC (12) Cl.** **26-02**
(52) **U.S. Cl.**
USPC **D26/39**
(58) **Field of Classification Search**
USPC D26/37-51
CPC F21L 2003/00; F21L 4/00; F21L 4/005;
F21L 4/02; F21L 4/025; F21L 4/027;
F21L 4/04; F21L 4/08; F21L 2005/00;
F21L 7/00; F21L 11/00; F21L 13/00;
F21L 13/04; F21L 13/08; F21L 14/02;
F21L 17/00; F21L 19/00; F21L 25/00
See application file for complete search history.

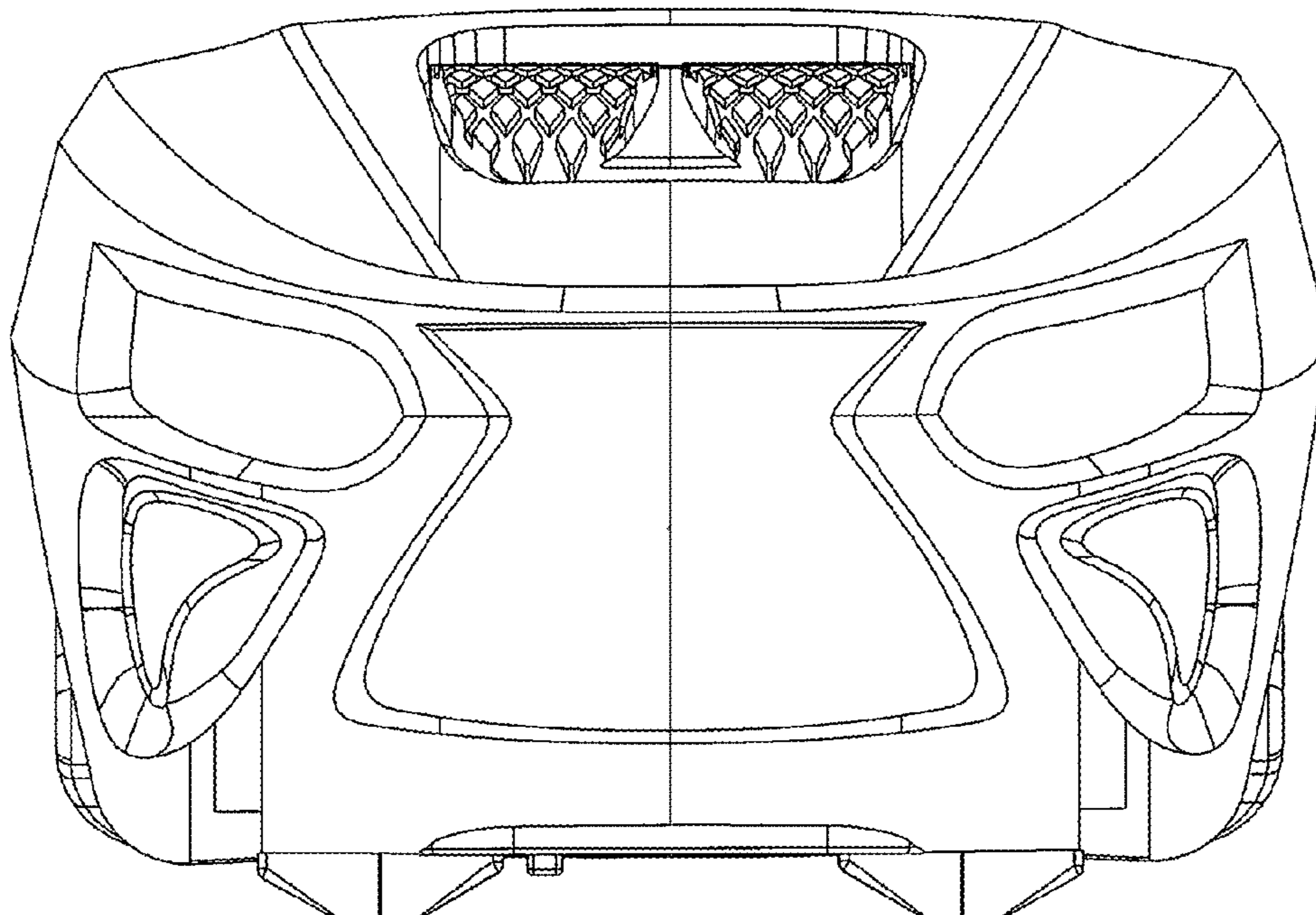
* cited by examiner
Primary Examiner — Lakiya G Rogers
Assistant Examiner — Carissa C Fitts

(56) **References Cited**
U.S. PATENT DOCUMENTS
D533,954 S * 12/2006 Opolka D26/39
D624,221 S * 9/2010 DeBrunner D26/39
D625,863 S * 10/2010 Kingston D26/39
D743,596 S * 11/2015 Ormsbee D26/39

(57) **CLAIM**
The ornamental design for a headlamp, as shown.

DESCRIPTION
FIG. 1 is a front elevational view of a headlamp showing my new design;
FIG. 2 is a rear elevational view thereof;
FIG. 3 is a left side view thereof;
FIG. 4 is a right side view thereof;
FIG. 5 is a top plan view thereof;
FIG. 6 is a bottom plan view thereof;
FIG. 7 is a perspective view thereof;
FIG. 8 is a second perspective view thereof; and,
FIG. 9 is a third perspective view thereof.

1 Claim, 9 Drawing Sheets



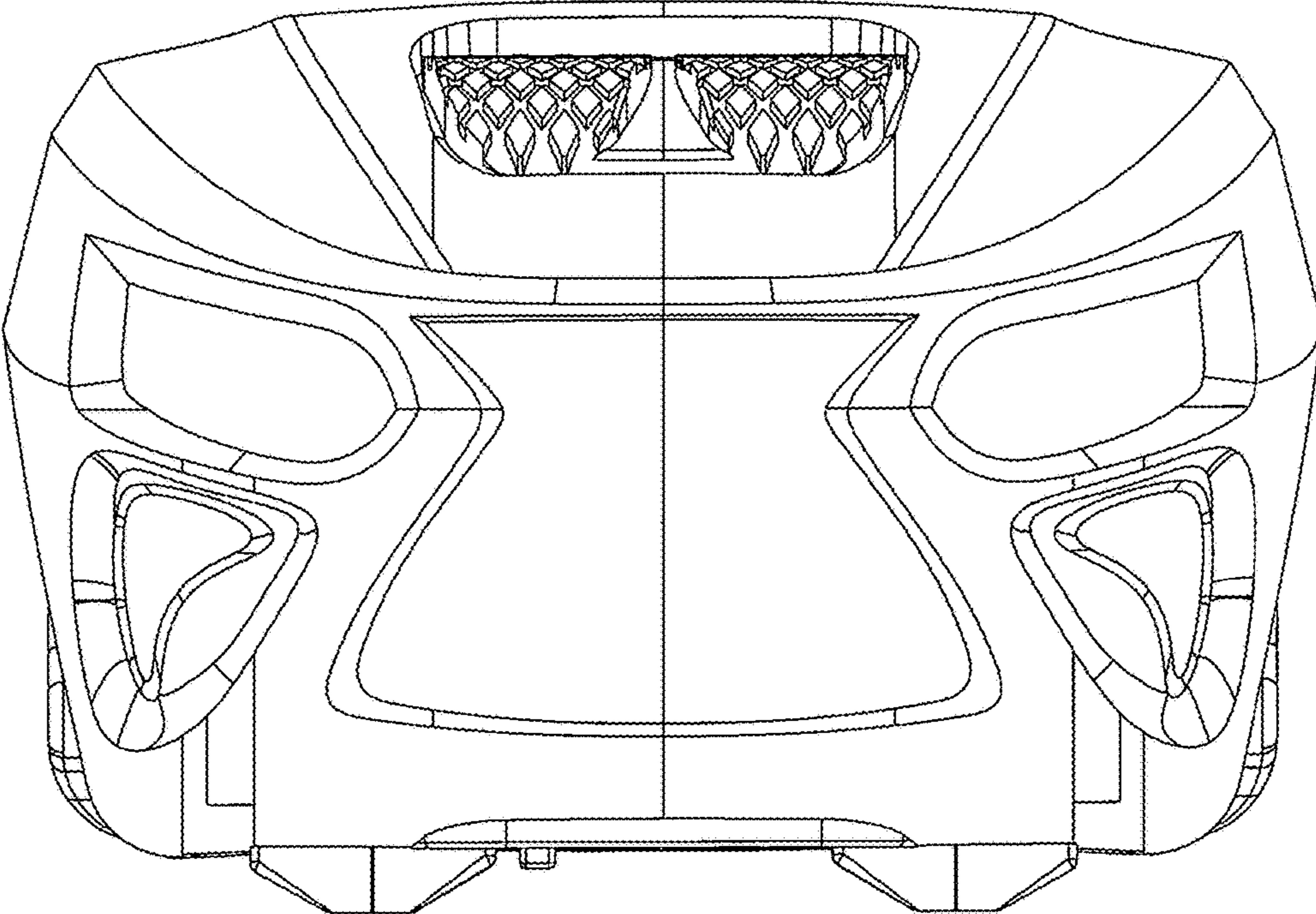


Fig. 1

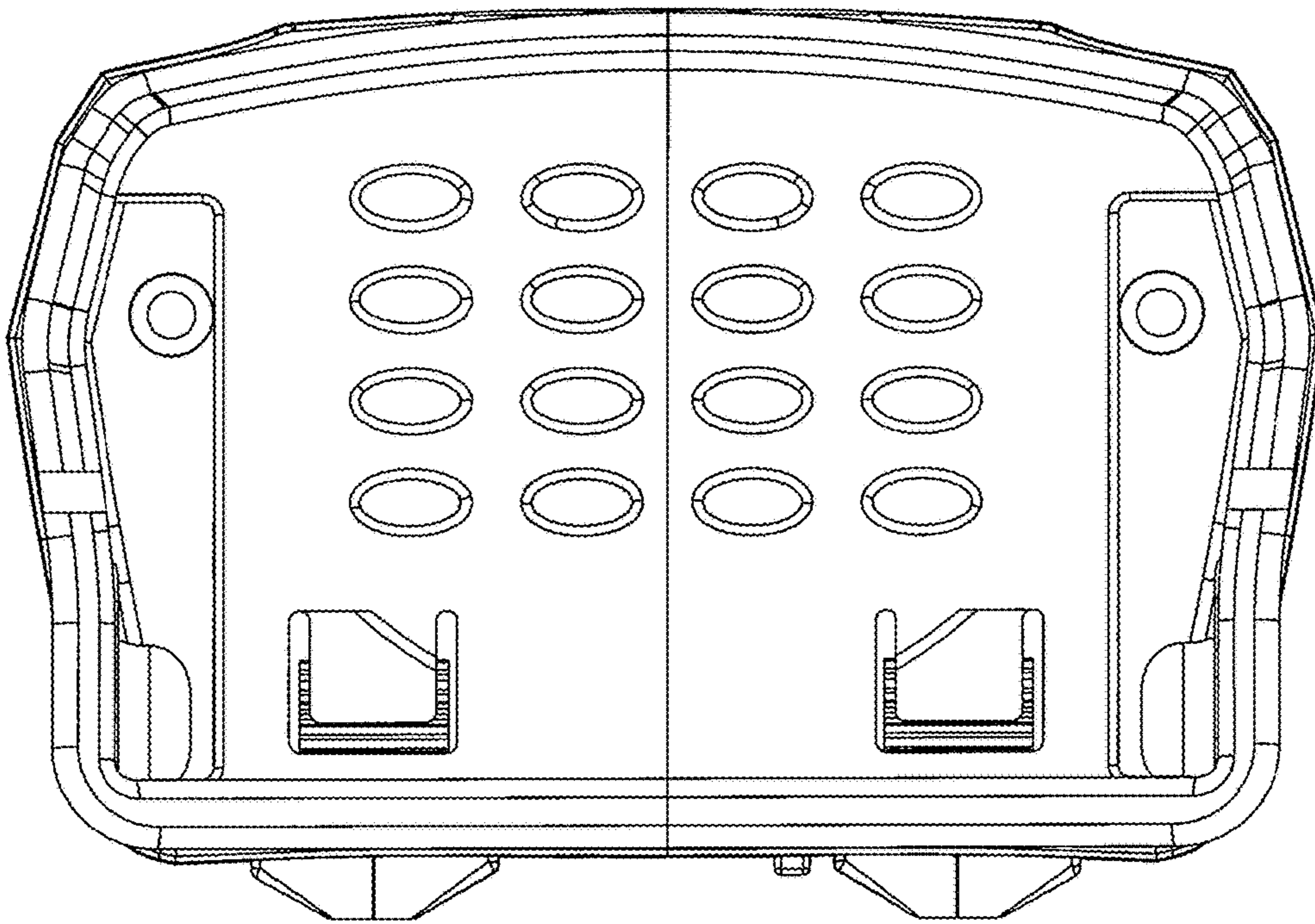


Fig. 2

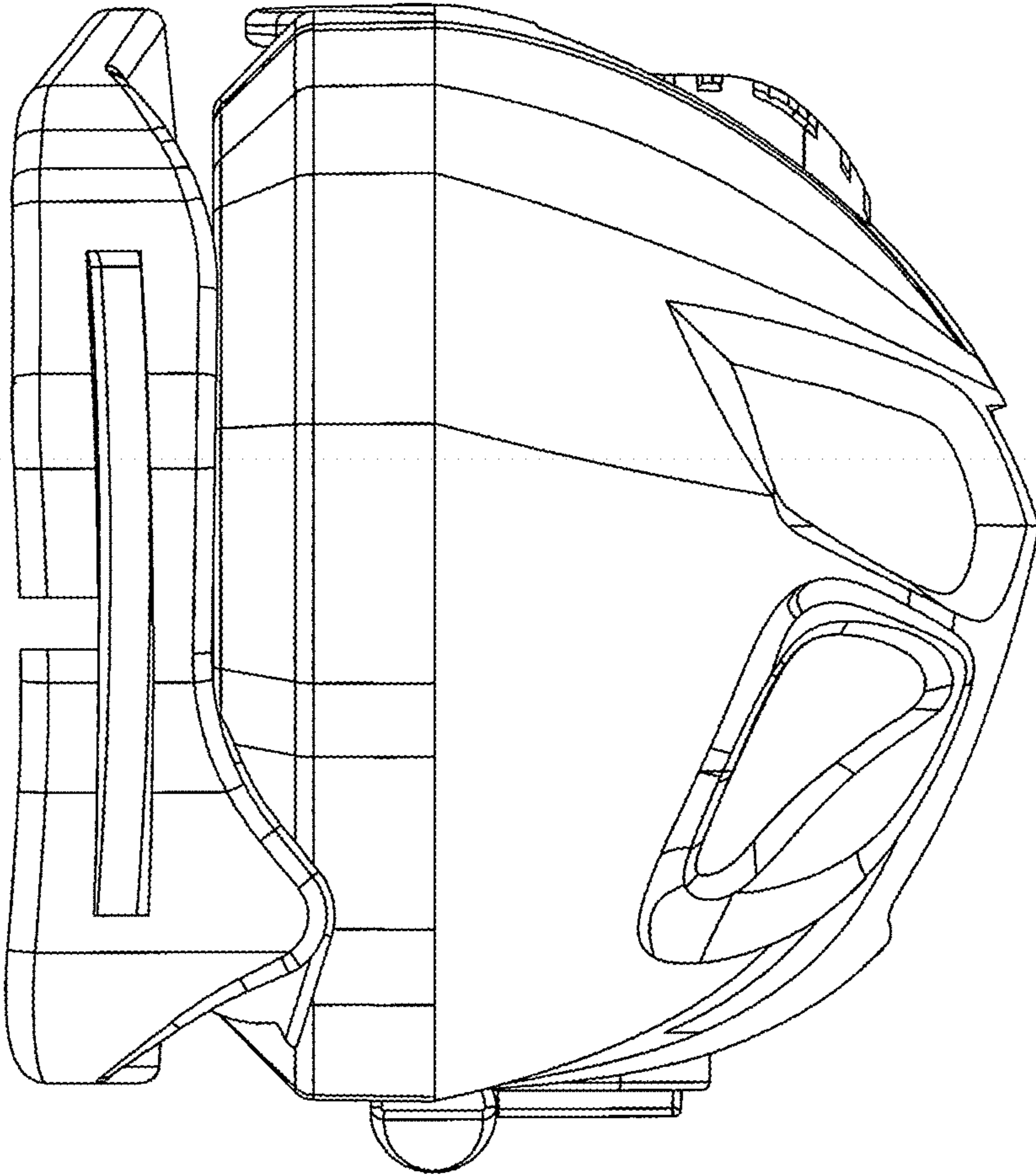


Fig. 3

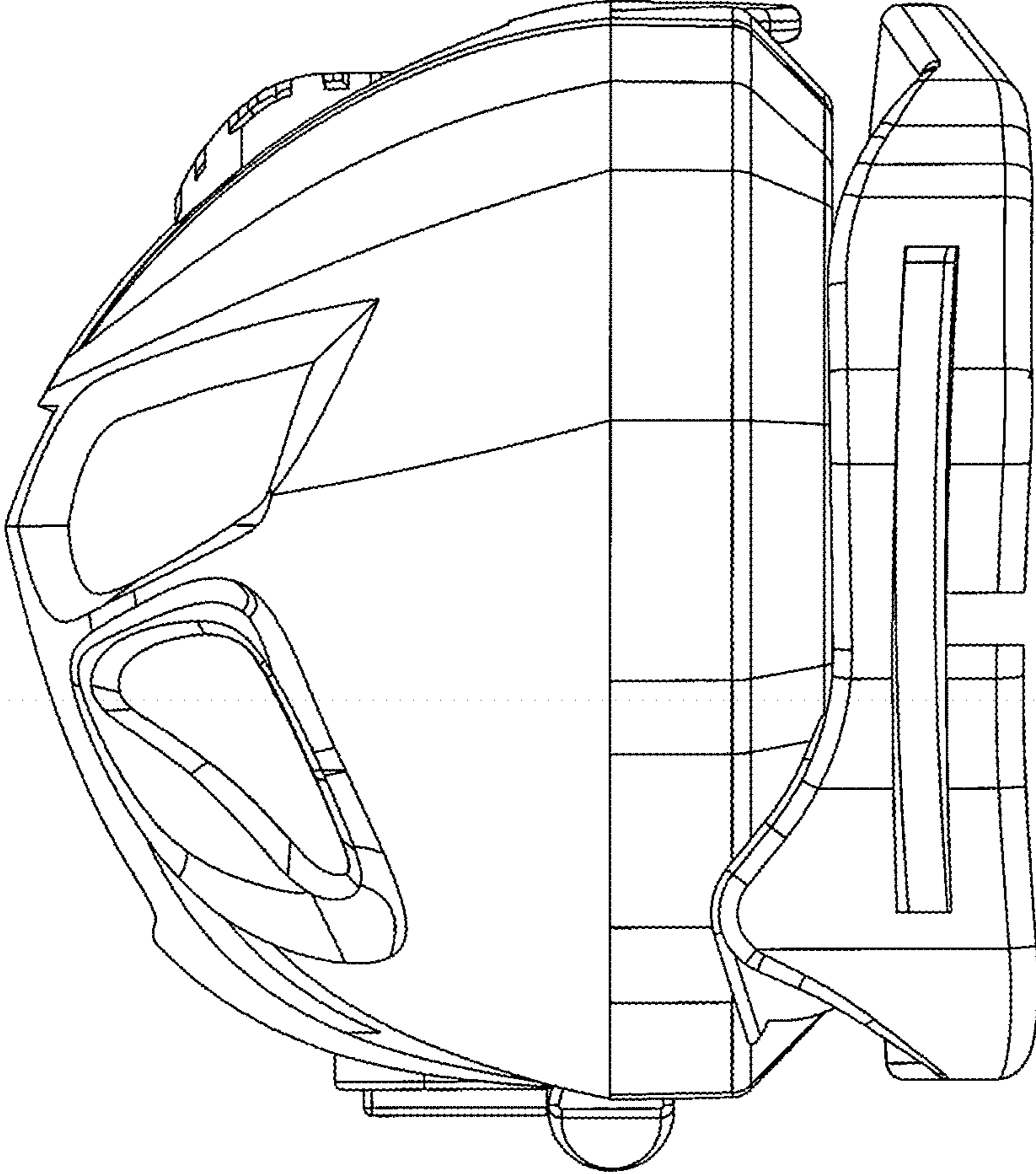


Fig. 4

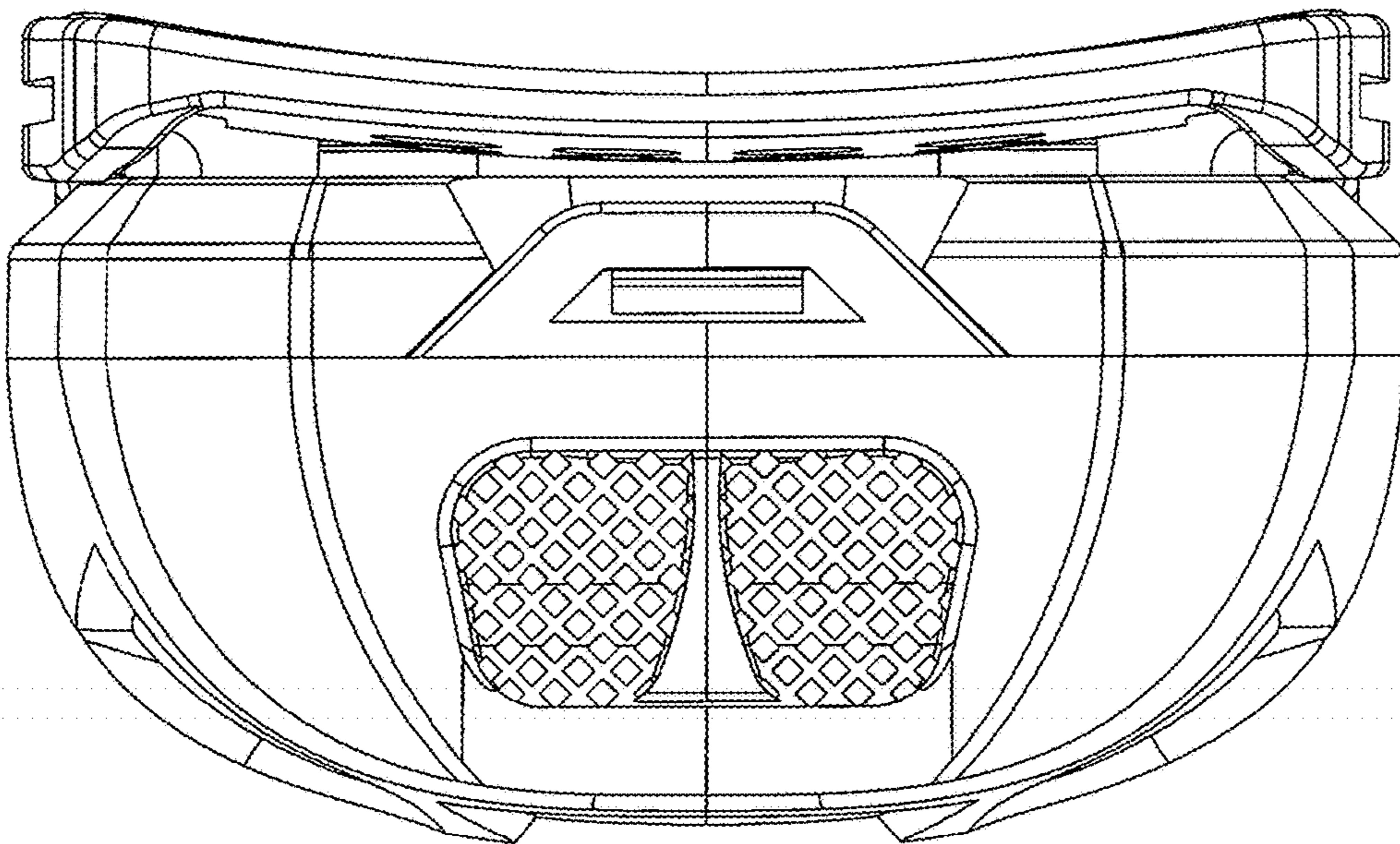


Fig. 5

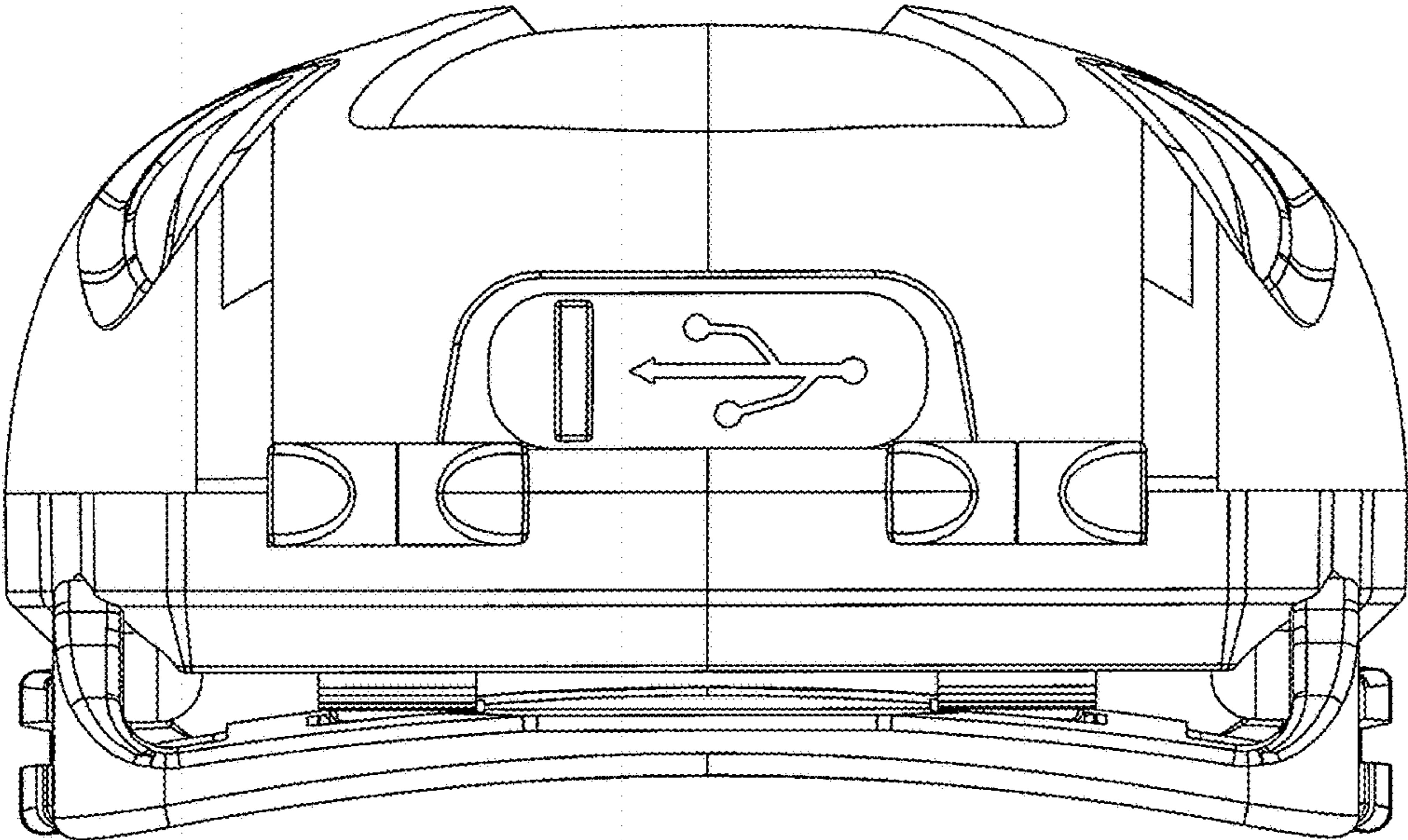


Fig. 6

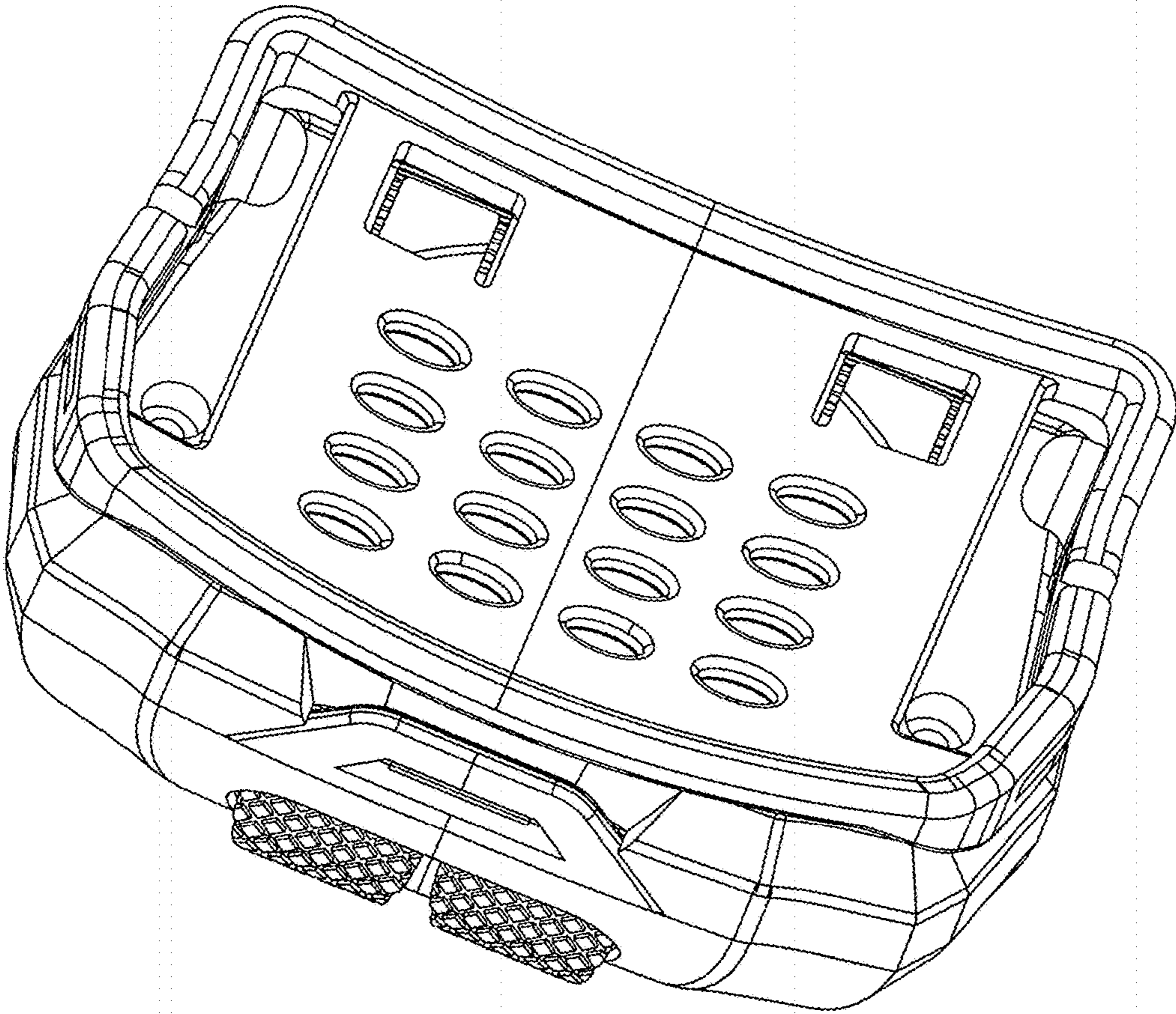


Fig. 7

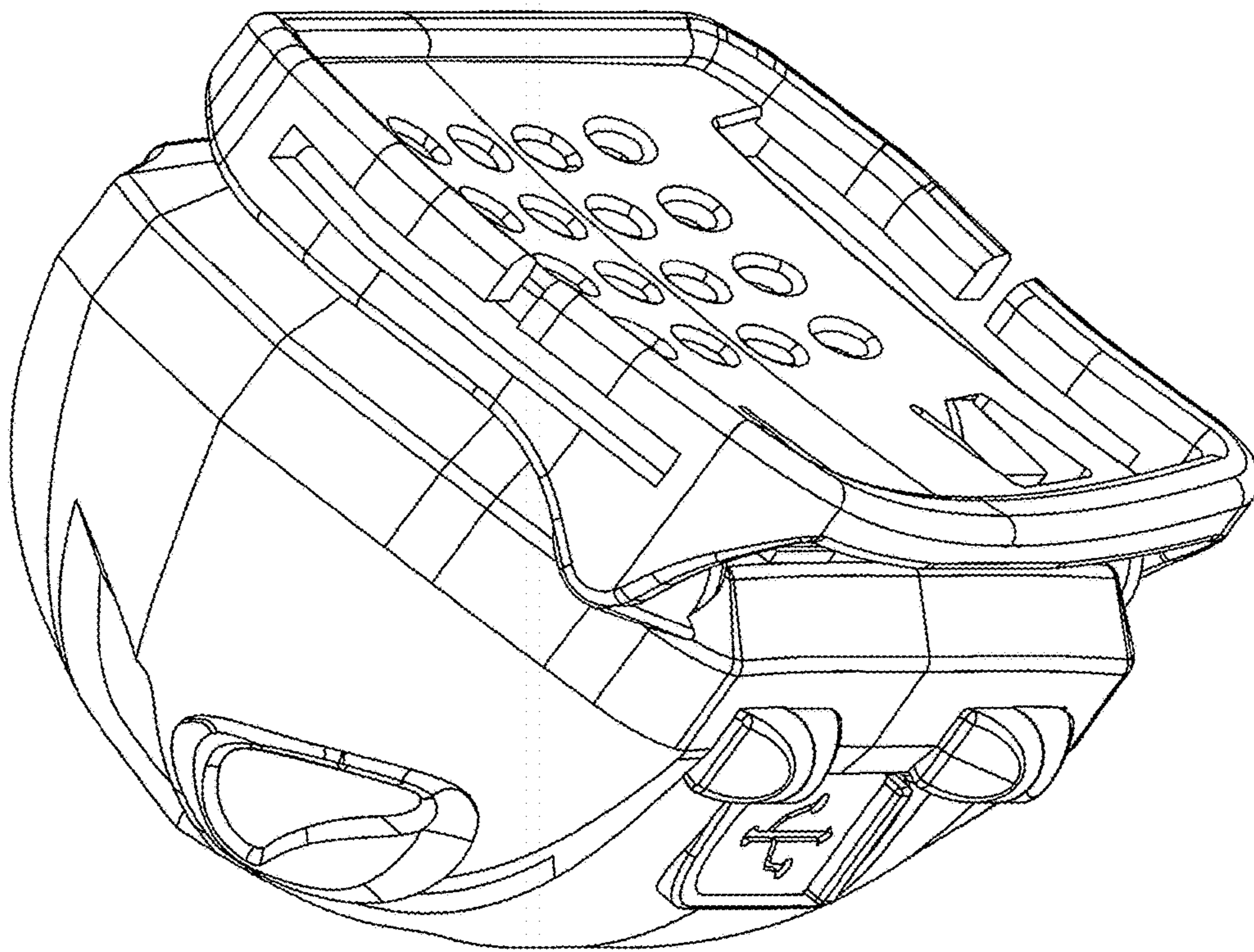


Fig. 8

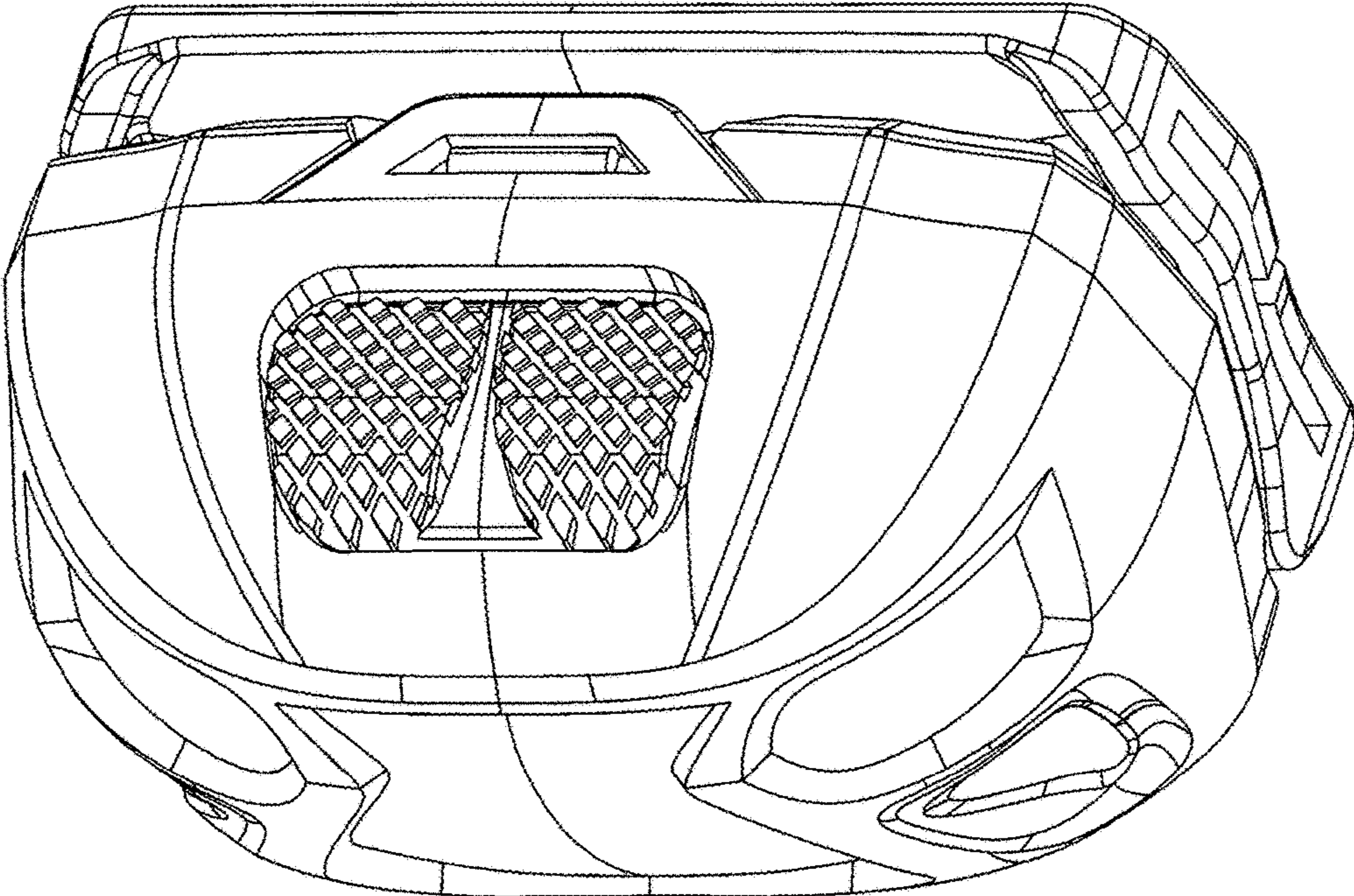


Fig. 9