



US00D865248S

(12) **United States Design Patent**
Wang

(10) **Patent No.:** **US D865,248 S**

(45) **Date of Patent:** **** Oct. 29, 2019**

(54) **ROTATING HEADLIGHTS**

Primary Examiner — Marcus A Jackson

(71) Applicant: **Shanzong Wang**, Zhejiang (CN)

(72) Inventor: **Shanzong Wang**, Zhejiang (CN)

(**) Term: **15 Years**

(21) Appl. No.: **29/632,629**

(22) Filed: **Jan. 9, 2018**

(51) **LOC (12) Cl.** **26-06**

(52) **U.S. Cl.**
USPC **D26/35**

(58) **Field of Classification Search**
USPC D26/28–36, 139
CPC F21S 48/00; F21S 48/10; F21S 48/115;
F21S 48/225; F21S 48/1233; F21S
48/1266; F21S 48/1388; F21S 48/2268;
F21V 21/04; B60Q 9/13; B60Q 9/135;
B60Q 9/1375

See application file for complete search history.

(56) **References Cited**

U.S. PATENT DOCUMENTS

- D198,279 S * 5/1964 Karbo D10/102
- D226,130 S * 1/1973 Meyer D26/35
- D255,107 S * 5/1980 Slepetz D10/114.3

* cited by examiner

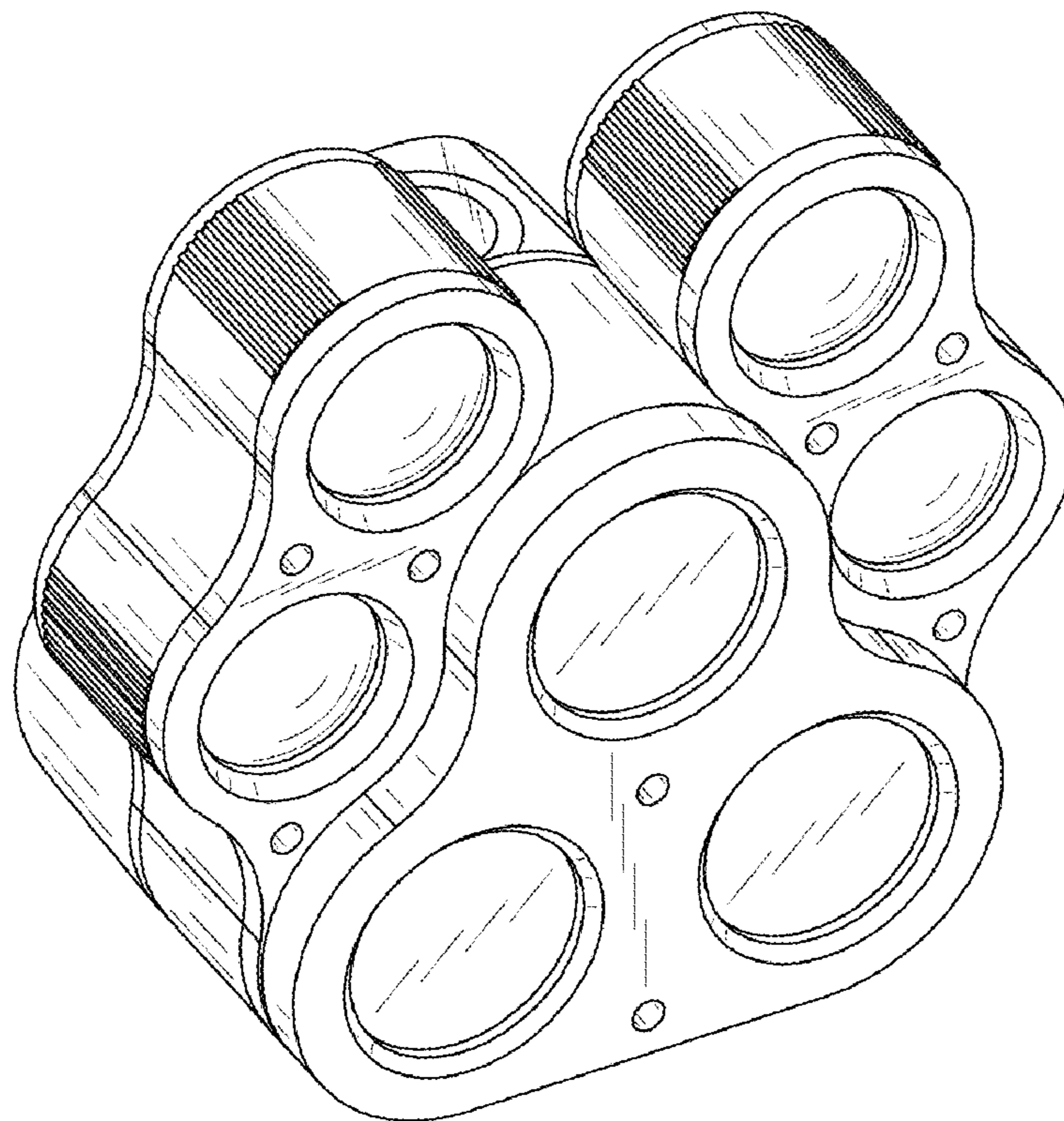
(57) **CLAIM**

The ornamental design for rotating headlights, as shown and described.

DESCRIPTION

FIG. 1 is a front view of the rotating headlights showing my new design;
 FIG. 2 is a back view thereof;
 FIG. 3 is a left side view thereof;
 FIG. 4 is a right side view thereof;
 FIG. 5 is a top view thereof;
 FIG. 6 is a bottom view thereof;
 FIG. 7 is a perspective view thereof, showing the rotating headlights in a closed position;
 FIG. 8 is another perspective view thereof, showing the rotating headlights in a closed position;
 FIG. 9 is a perspective view thereof, showing the rotating headlights in an open position; and,
 FIG. 10 is another perspective view thereof, showing the rotating headlights in an open position.

1 Claim, 5 Drawing Sheets



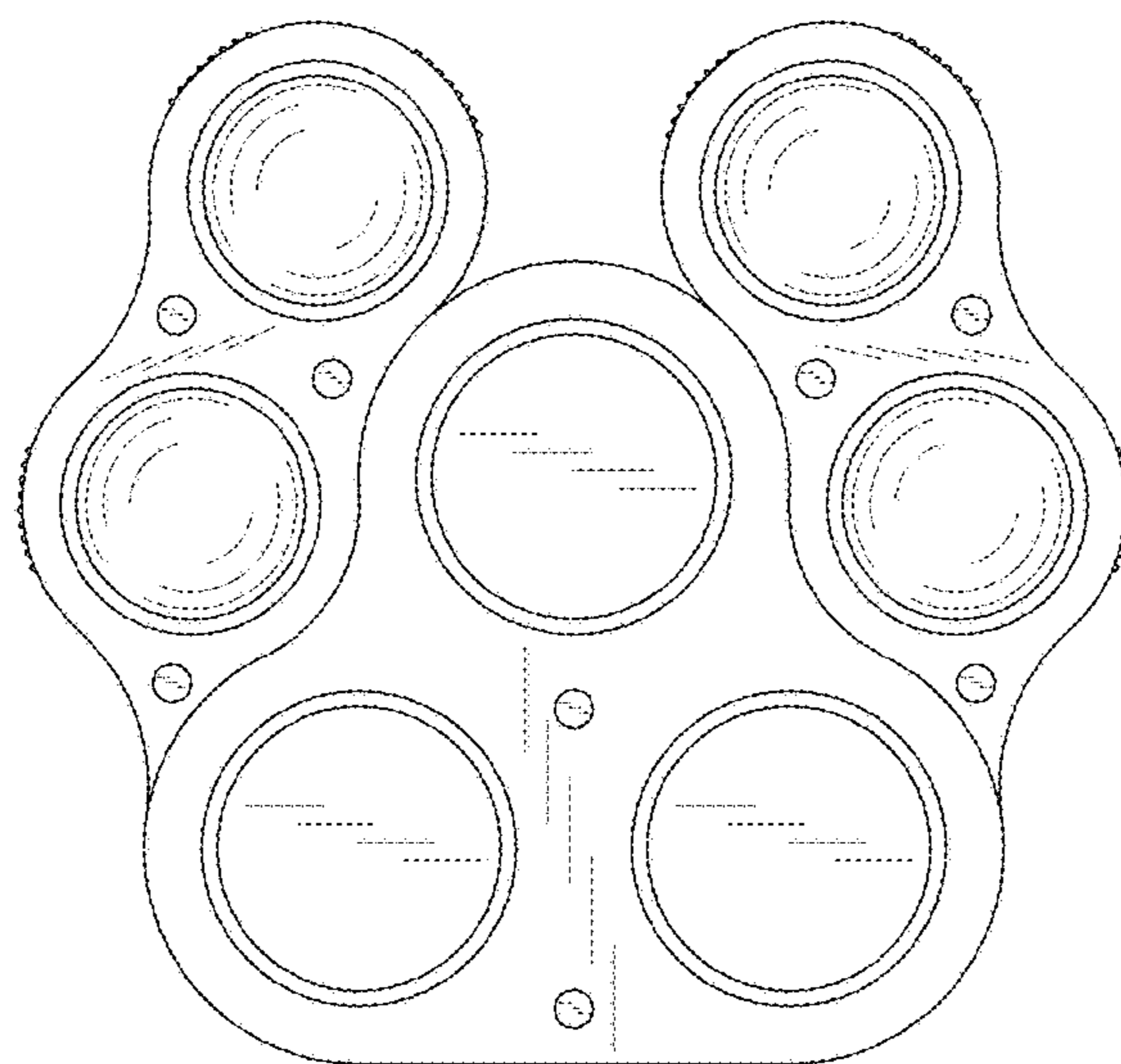


Fig.1

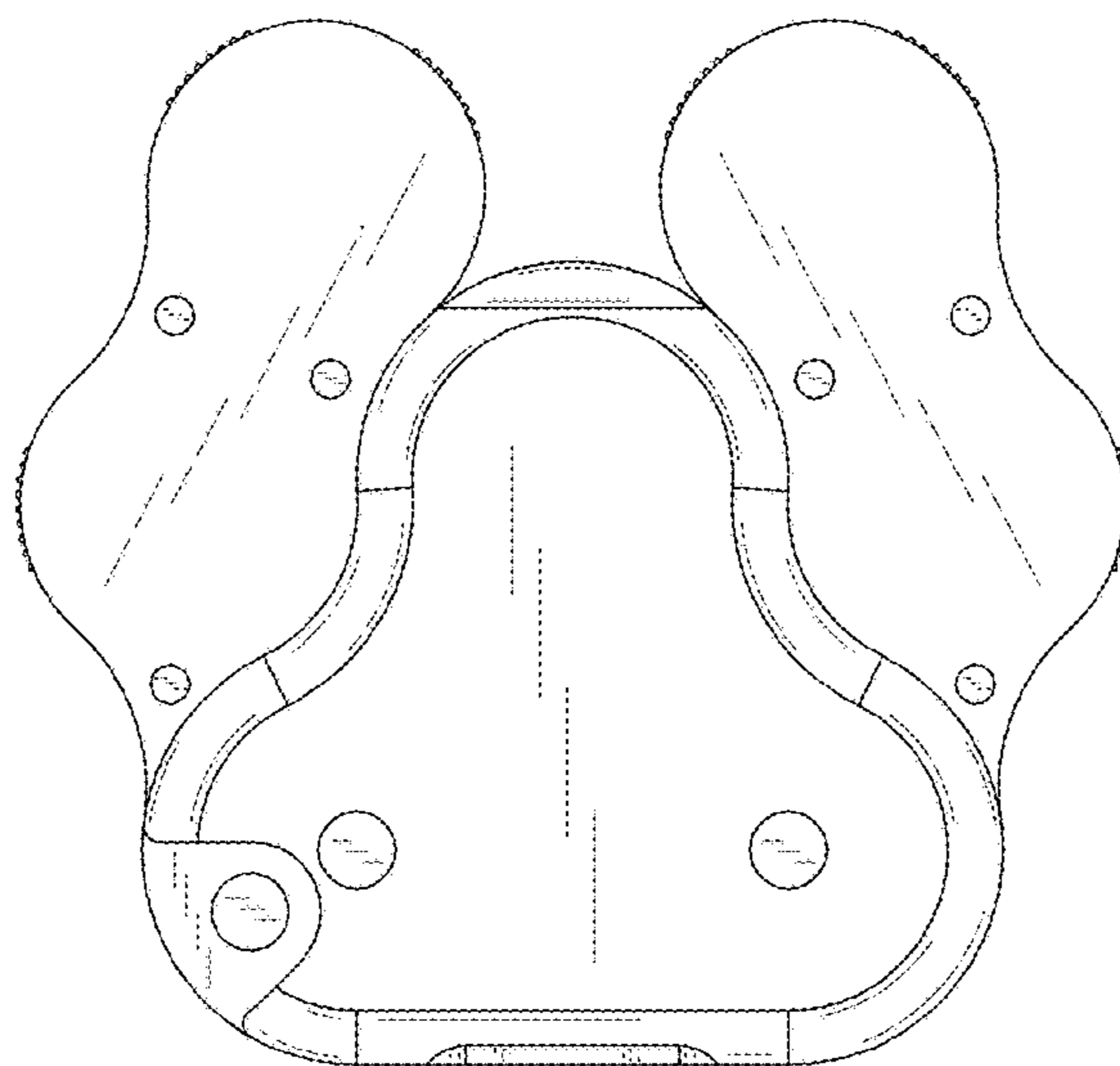


Fig.2

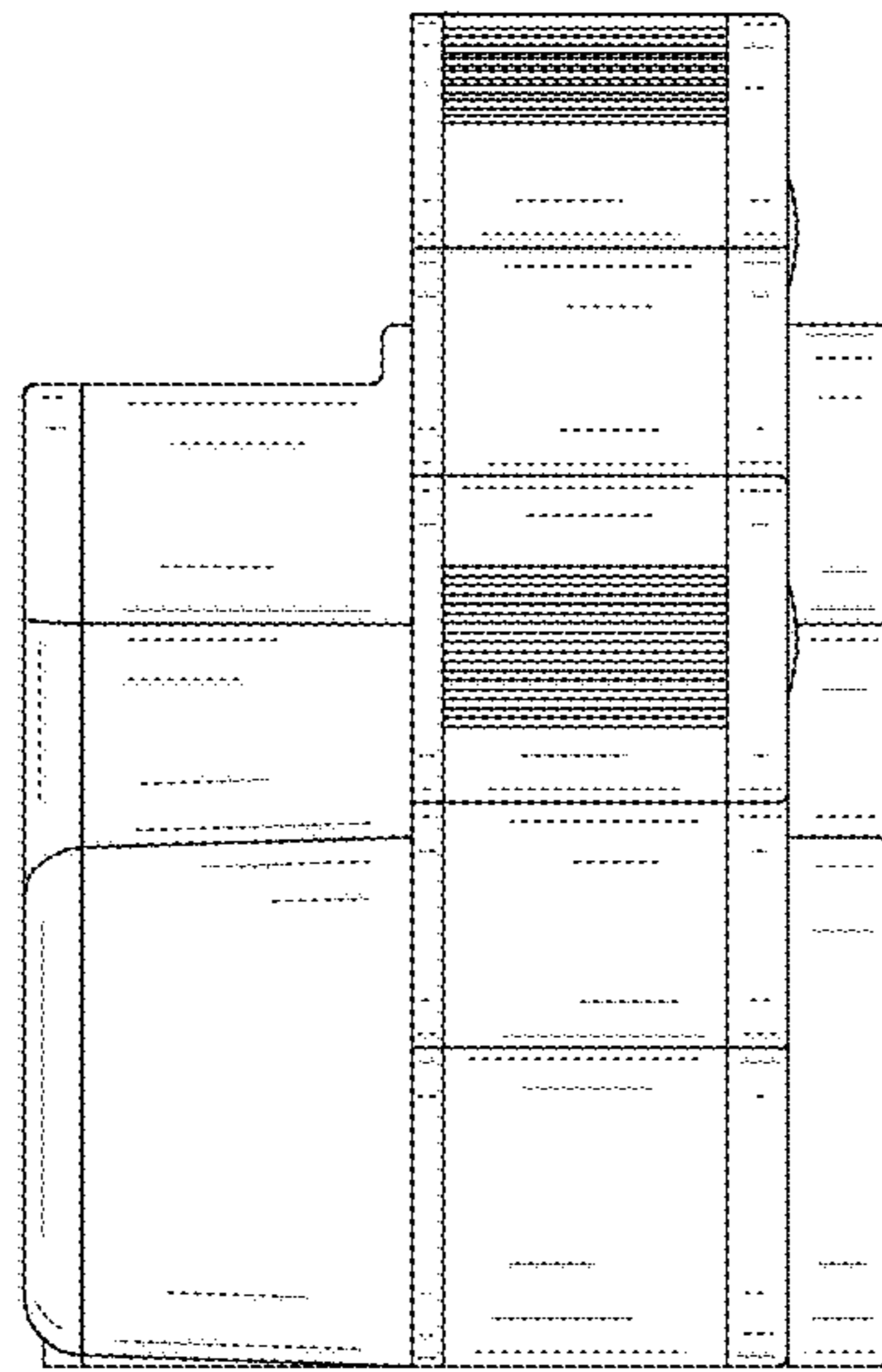


Fig.3

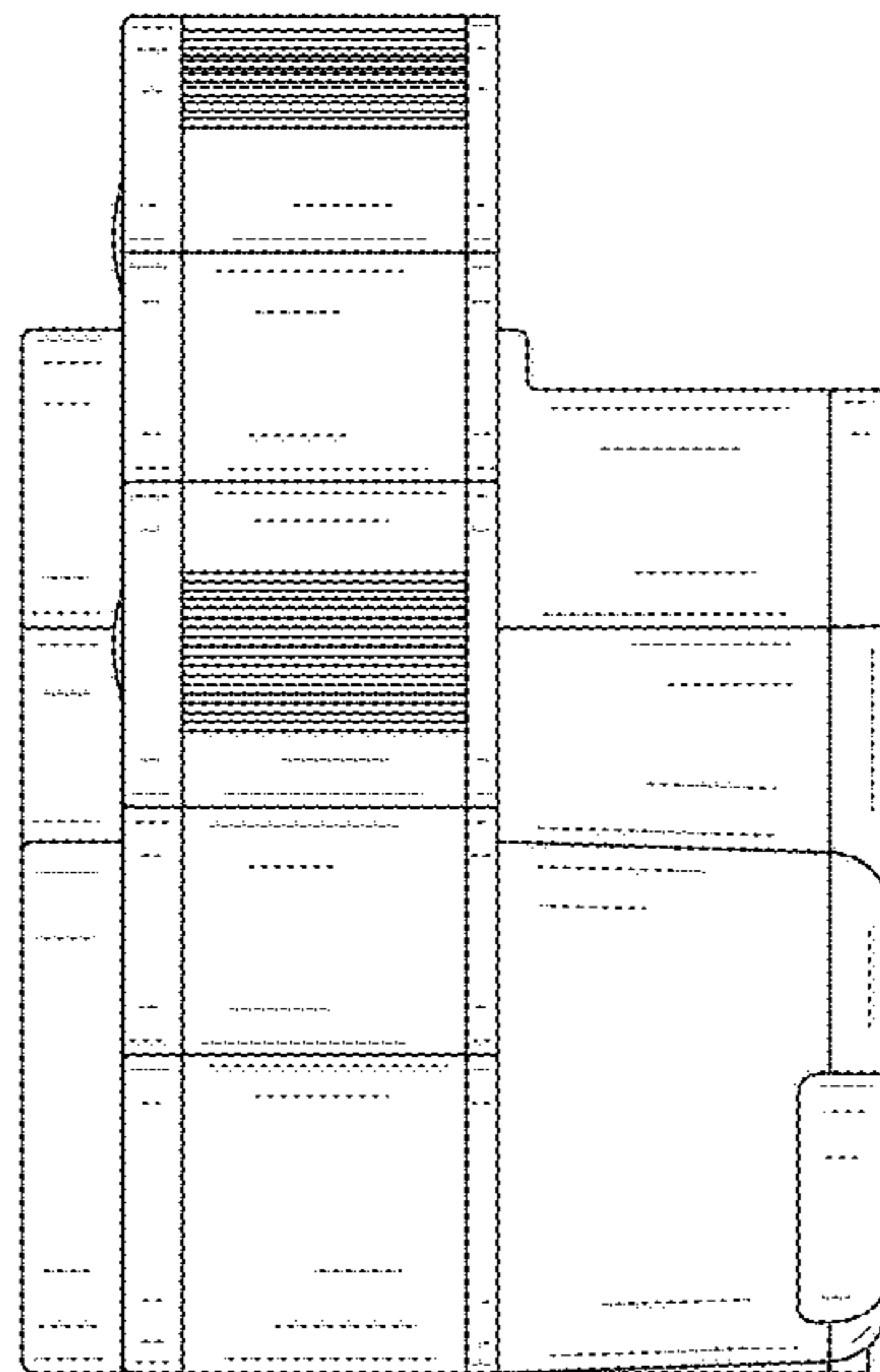


Fig.4

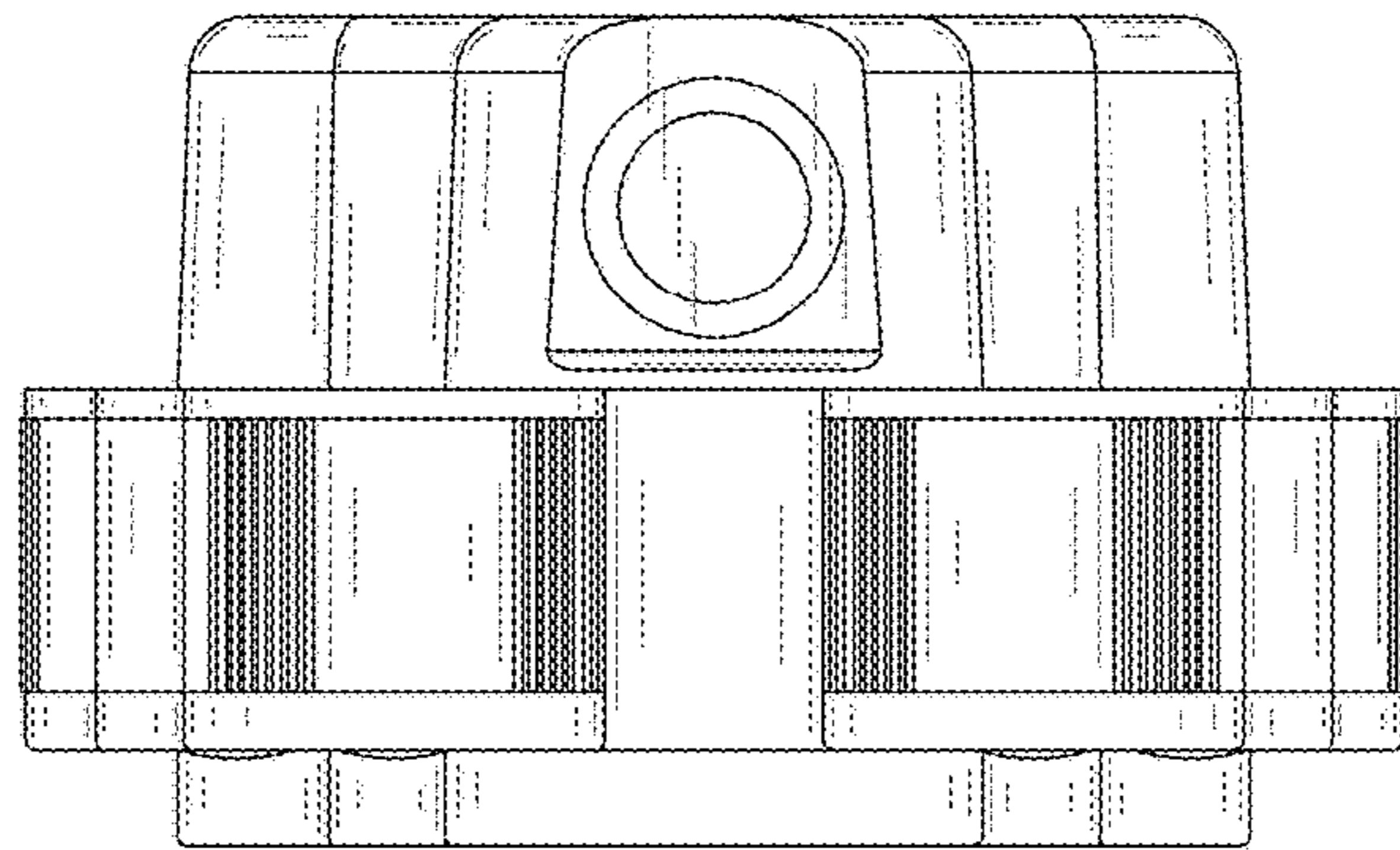


Fig.5

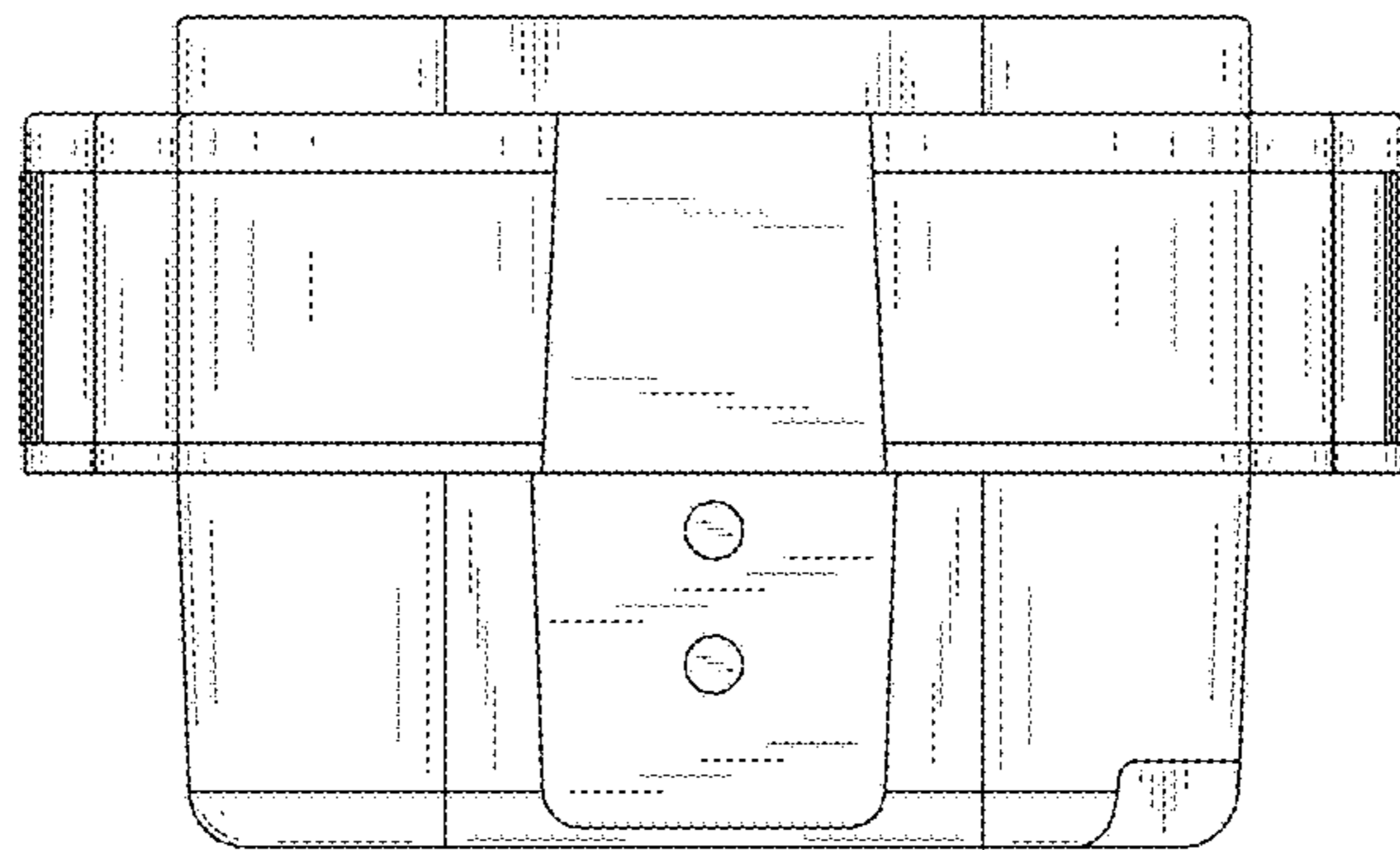


Fig.6

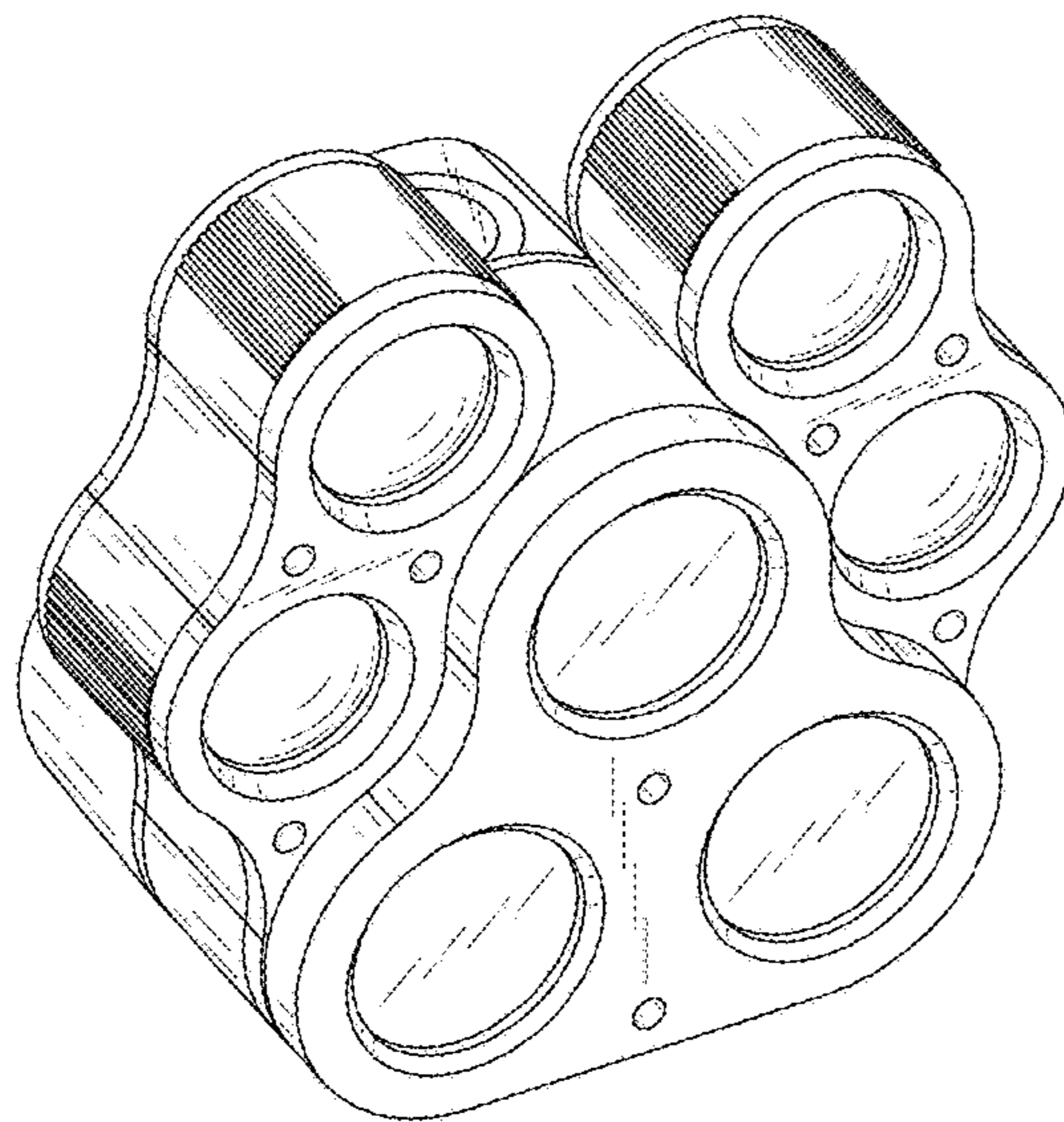


Fig.7

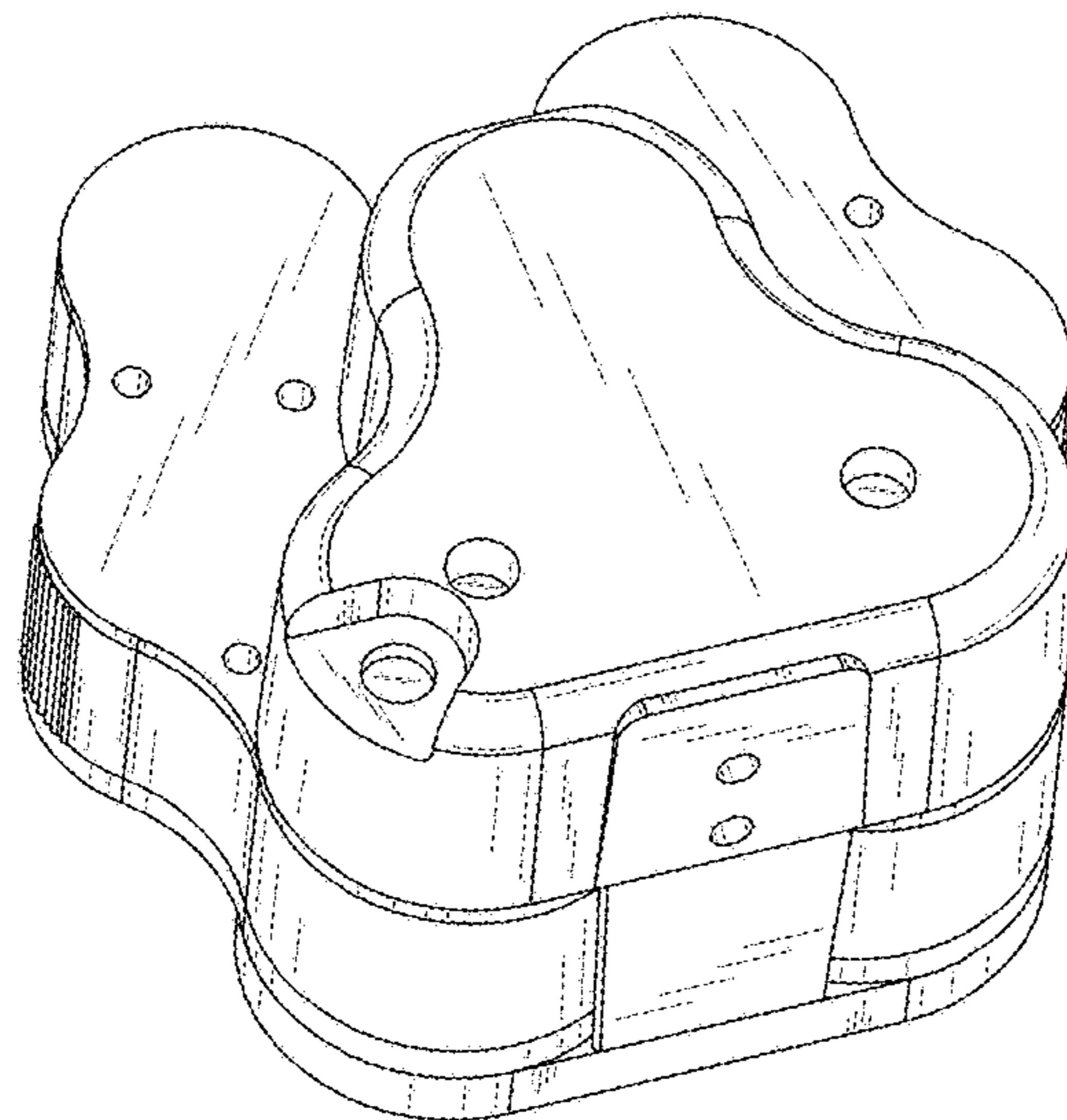


Fig.8

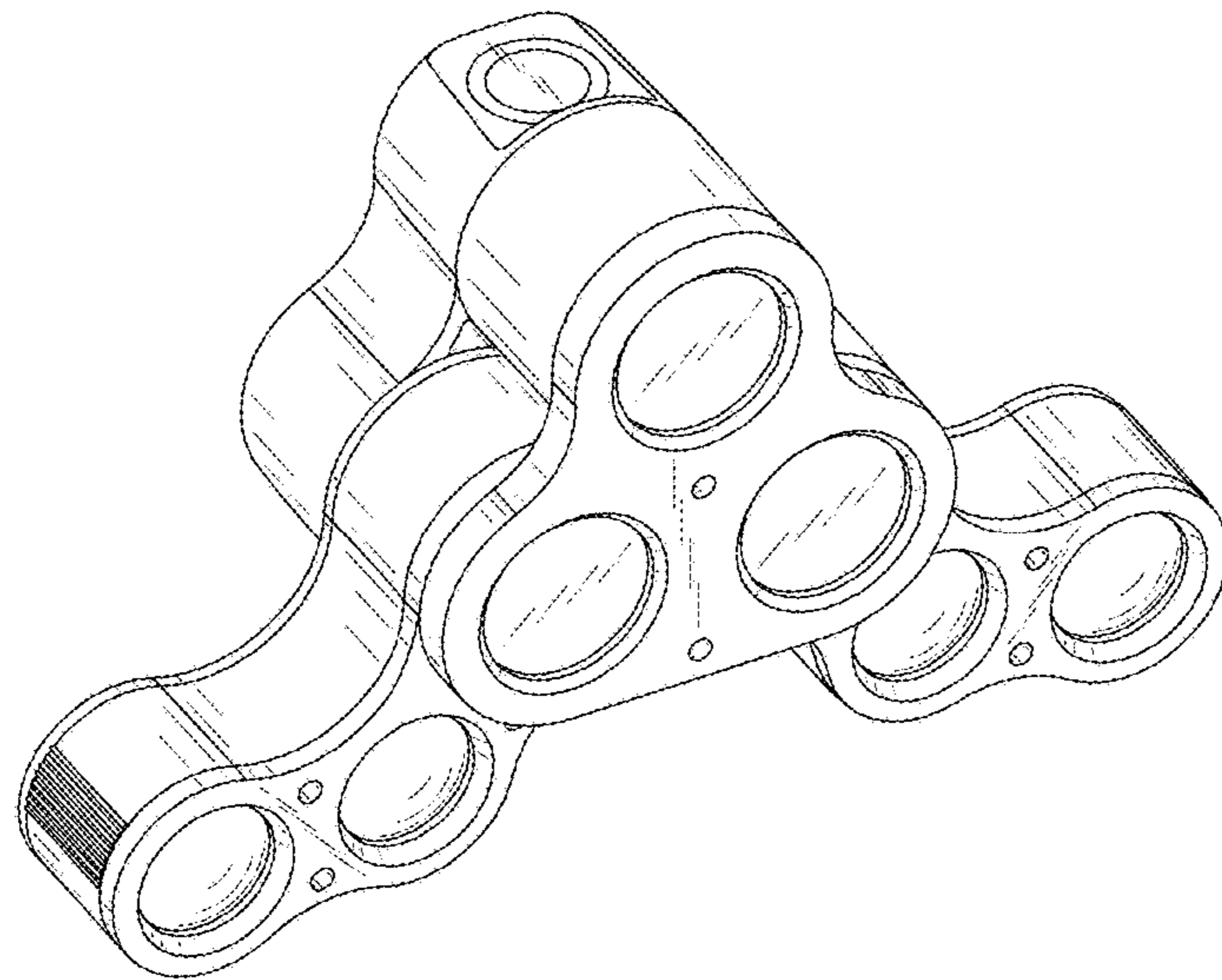


Fig.9

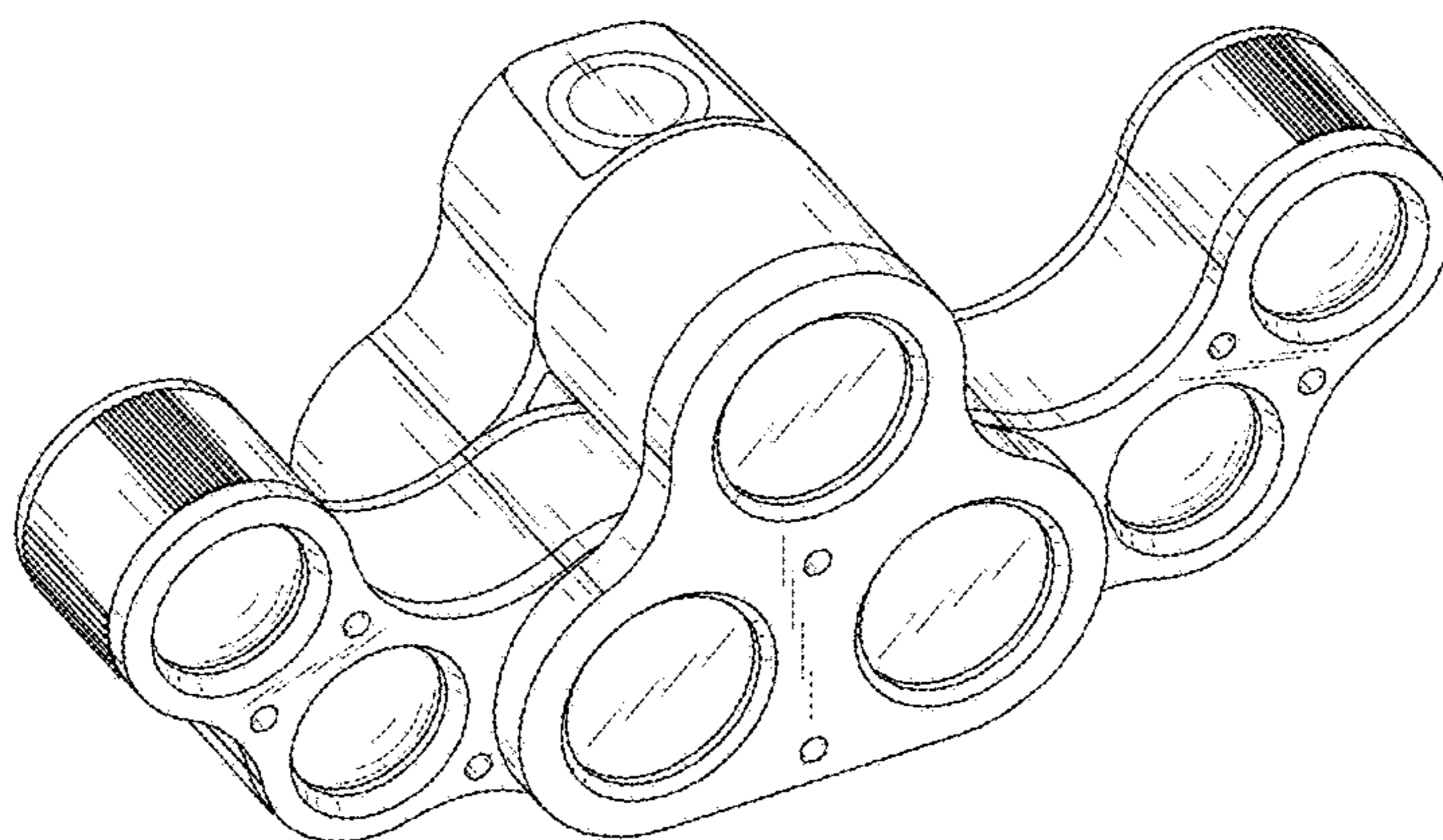


Fig.10