



US00D865246S

(12) **United States Design Patent** (10) **Patent No.:** **US D865,246 S**
Flores et al. (45) **Date of Patent:** **** Oct. 29, 2019**

(54) **REAR COMBINATION LAMP FOR AN AUTOMOBILE**

(71) Applicants: **HYUNDAI MOTOR COMPANY**, Seoul (KR); **KIA MOTORS CORPORATION**, Seoul (KR)
 (72) Inventors: **Rogelio Flores**, Irvine, CA (US); **Tony Chen**, Irvine, CA (US); **Bradley Arnold**, Irvine, CA (US)
 (73) Assignees: **Hyundai Motor Company**, Seoul (KR); **Kia Motors Corporation**, Seoul (KR)

(**) Term: **15 Years**

(21) Appl. No.: **35/505,783**

(22) Filed: **Apr. 3, 2018**

(80) **Hague Agreement Data**

Int. Filing Date: **Apr. 3, 2018**
 Int. Reg. No.: **DM/100676**
 Int. Reg. Date: **Apr. 3, 2018**
 Int. Reg. Pub. Date: **Oct. 5, 2018**

(51) **LOC (12) Cl.** **26-06**

(52) **U.S. Cl.**
 USPC **D26/28**

(58) **Field of Classification Search**
 USPC D26/28
 CPC F21S 48/00; F21S 48/10; F21S 48/115; F21S 48/225; F21S 48/1233; F21S 48/1266; F21S 48/1388; F21S 48/2266; F21V 21/04; B60Q 1/30; B60Q 1/2607; B60Q 1/2696; B62J 6/00; B62J 6/04

See application file for complete search history.

(56) **References Cited**

U.S. PATENT DOCUMENTS

D472,986 S *	4/2003	Kim	D26/28
D684,710 S *	6/2013	Chen	D26/28
D713,572 S *	9/2014	Campbell	D26/28
D721,840 S *	1/2015	Futschik	D26/28
D723,723 S *	3/2015	Goto	D26/28
D745,717 S *	12/2015	Wu	D26/28
D762,916 S *	8/2016	Messale	D26/139
D765,895 S *	9/2016	Haeussinger	D26/28
D787,725 S *	5/2017	Hong	D26/28
D788,957 S *	6/2017	Hong	D26/28
D812,273 S *	3/2018	Wu	D26/28
D812,275 S *	3/2018	Wu	D26/28
D834,733 S *	11/2018	Katagiri	D26/28
D846,165 S *	4/2019	Bernardi	D26/28
D846,767 S *	4/2019	Thomas	D26/28
D847,391 S *	4/2019	Pinazzo	D26/28
D848,646 S *	5/2019	Hilton	D26/28
D849,291 S *	5/2019	Wu	D26/28

* cited by examiner

Primary Examiner — Natasha Vujcic

(74) *Attorney, Agent, or Firm* — Mintz Levin Cohn Ferris Glovsky and Popeo, P.C.; Kongsik Kim

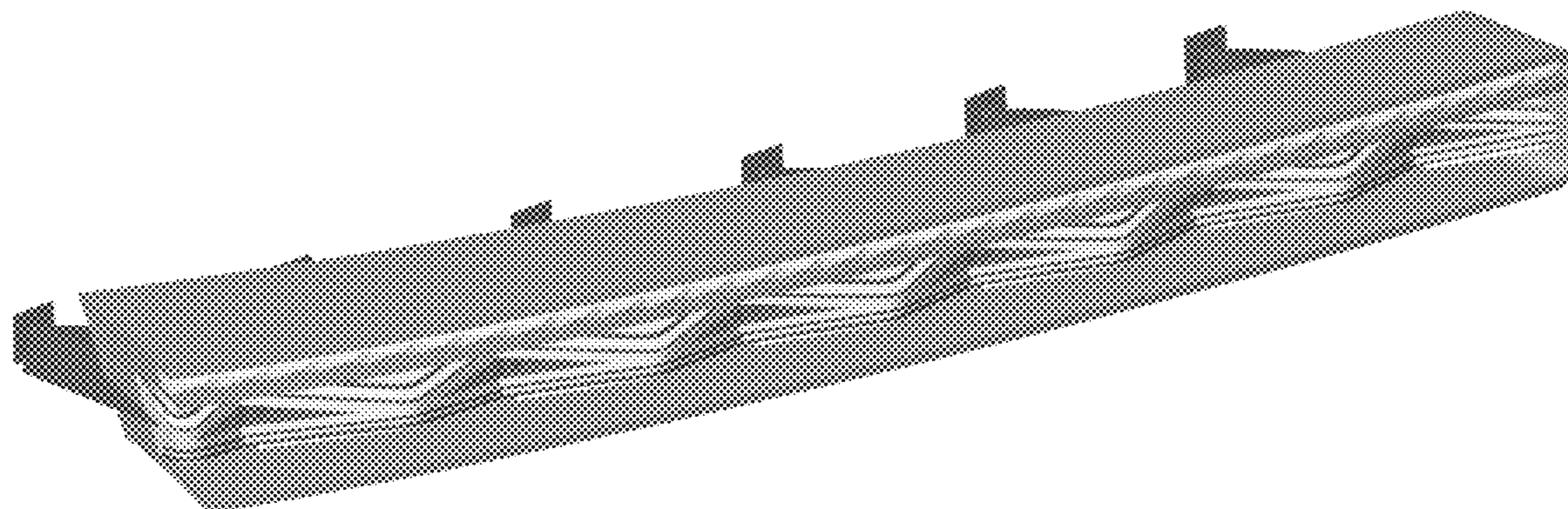
(57) **CLAIM**

The ornamental design for a rear combination lamp for an automobile, as shown and described.

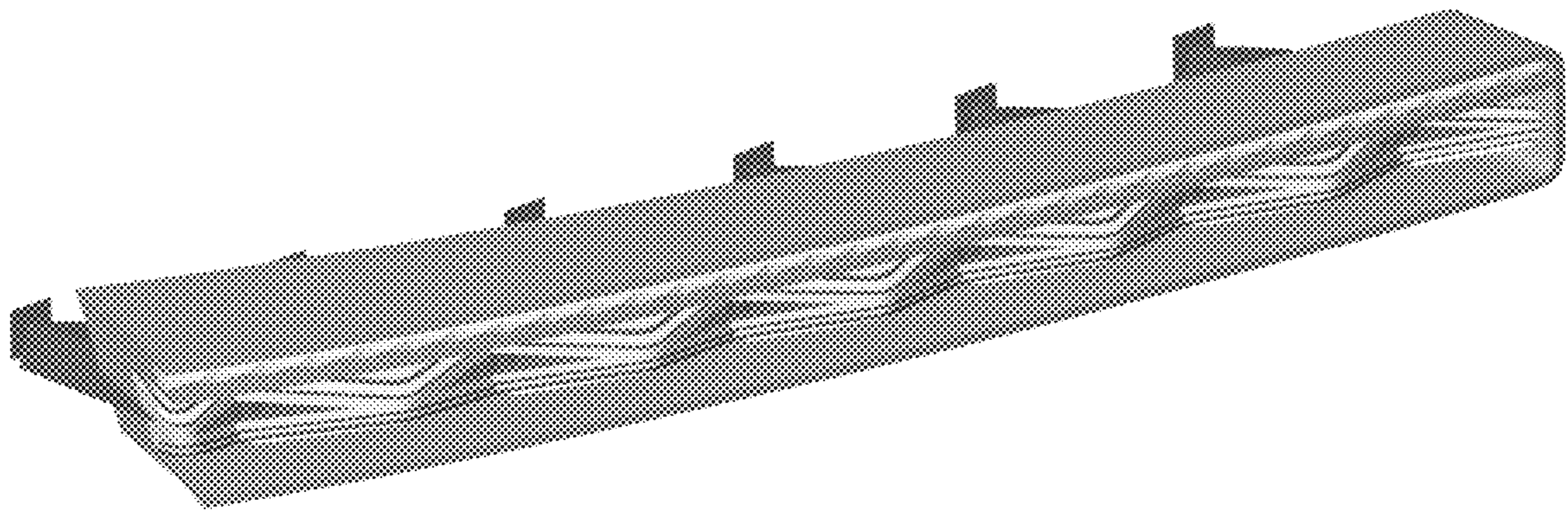
DESCRIPTION

- 1. Rear combination lamp for an automobile
- 1.1 : Perspective
- 1.2 : Front
- 1.3 : Back
- 1.4 : Left
- 1.5 : Right
- 1.6 : Top
- 1.7 : Bottom

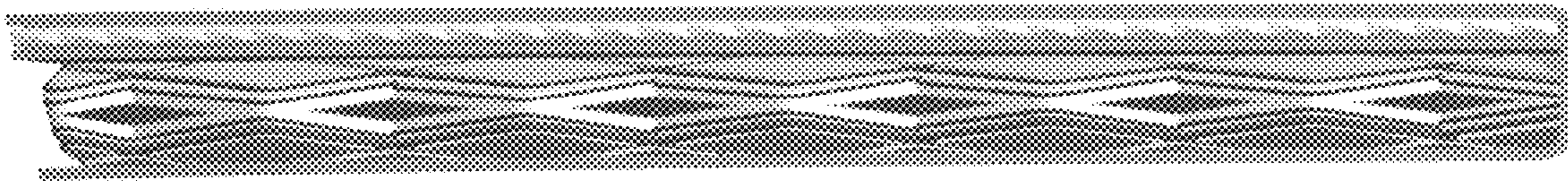
1 Claim, 7 Drawing Sheets



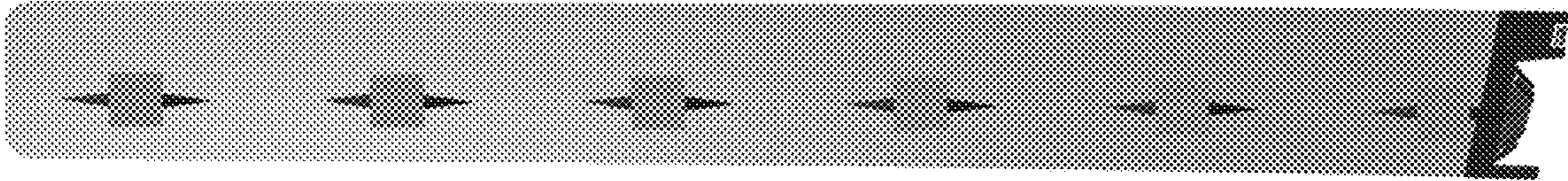
1.1



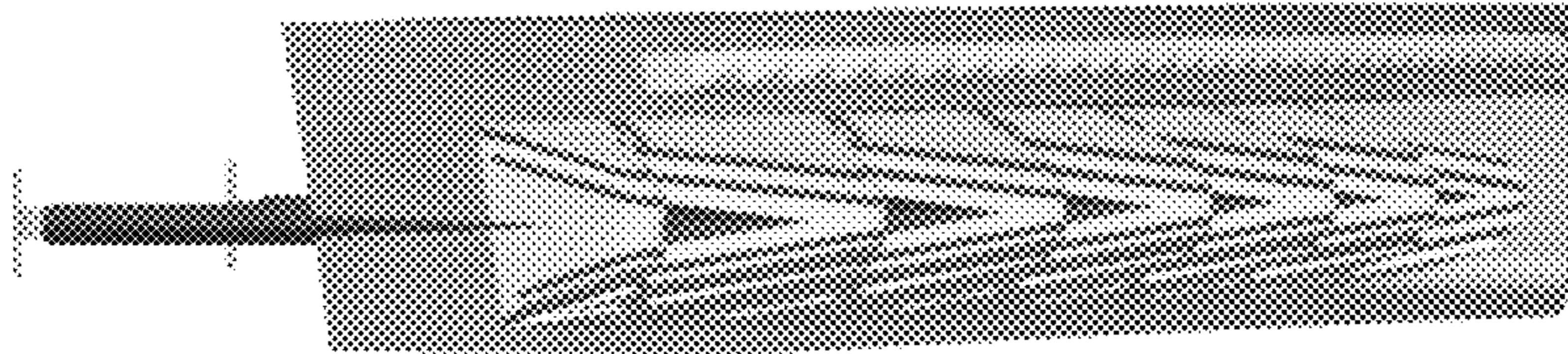
1.2



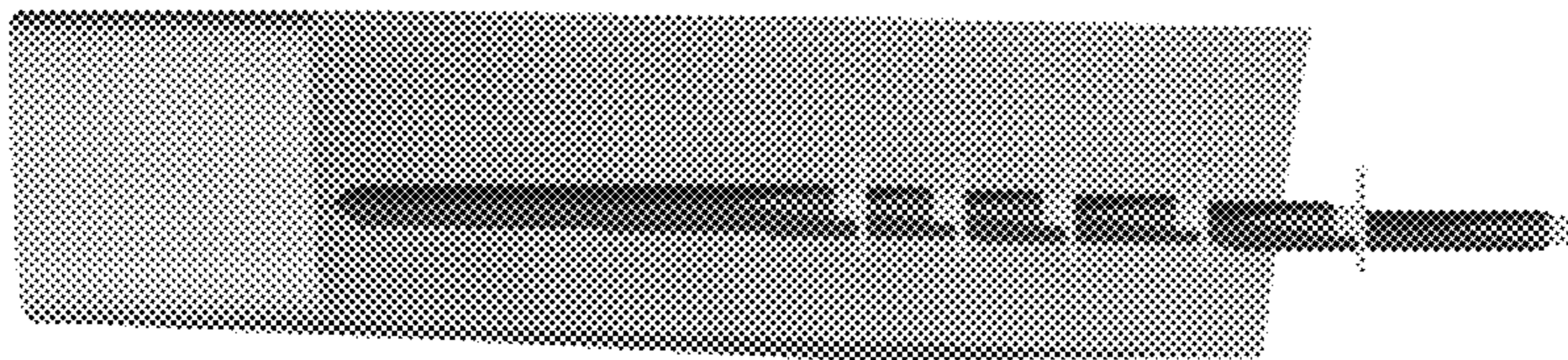
1.3

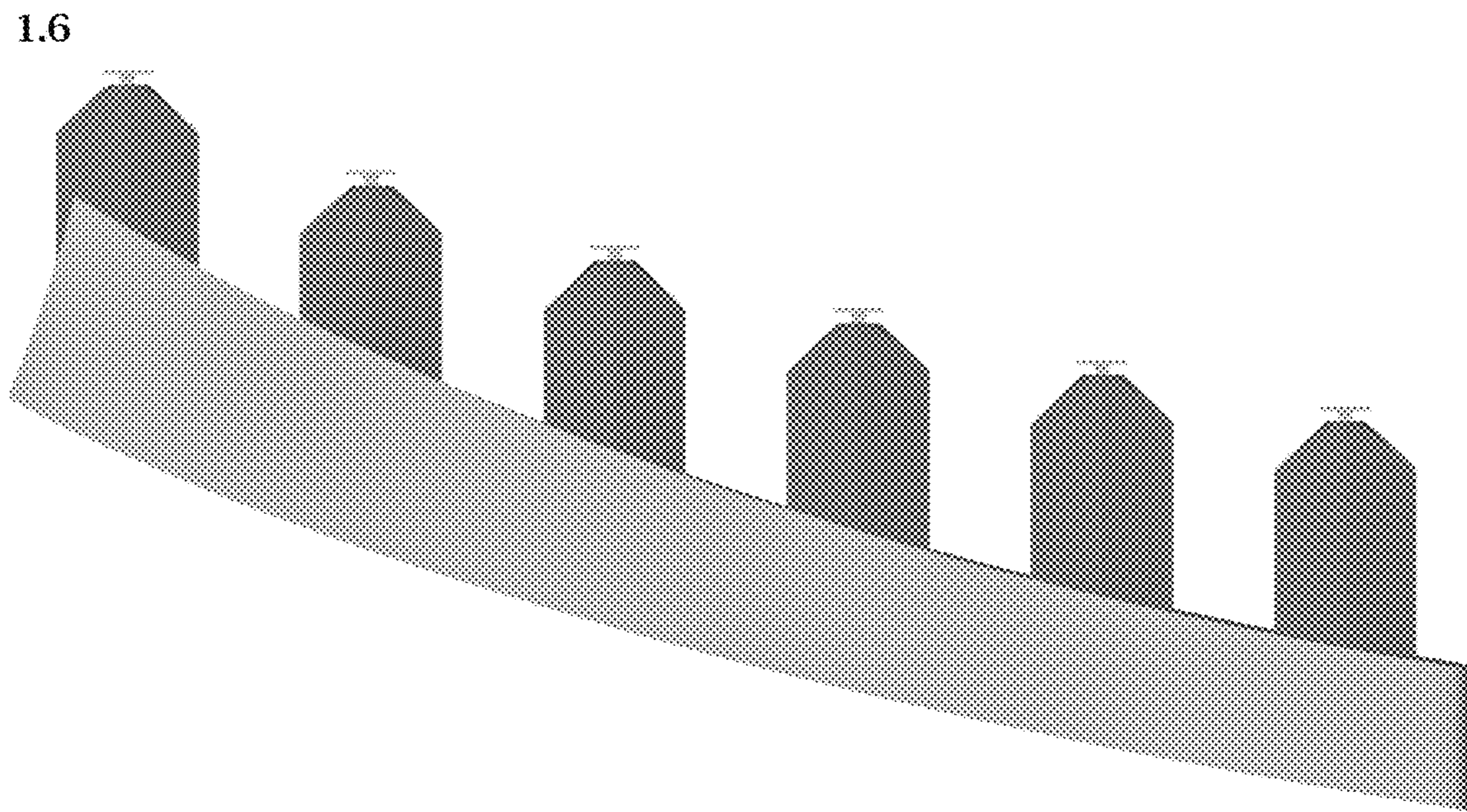


1.4



1.5





1.7

