



US00D865245S

(12) **United States Design Patent** (10) **Patent No.:** **US D865,245 S**
Kim et al. (45) **Date of Patent:** **** Oct. 29, 2019**

(54) **HEADLAMP FOR AN AUTOMOBILE**
(71) Applicants: **HYUNDAI MOTOR COMPANY**,
Seoul (KR); **KIA MOTORS**
CORPORATION, Seoul (KR)
(72) Inventors: **Gyu Bong Kim**, Suwon-si (KR); **Ji**
Won Ha, Suwon-si (KR); **Jun Hyuk**
Yim, Seoul (KR)
(73) Assignees: **Hyundai Motor Company**, Seoul
(KR); **Kia Motors Corporation**, Seoul
(KR)

(**) Term: **15 Years**

(21) Appl. No.: **35/505,765**

(22) Filed: **Mar. 27, 2018**

(80) **Hague Agreement Data**
Int. Filing Date: **Mar. 27, 2018**
Int. Reg. No.: **DM/100993**
Int. Reg. Date: **Mar. 27, 2018**
Int. Reg. Pub. Date: **Sep. 28, 2018**

(30) **Foreign Application Priority Data**
Sep. 29, 2017 (KR) 30-2017-0046254

(51) **LOC (12) Cl.** **26-06**
(52) **U.S. Cl.**

USPC **D26/28**
(58) **Field of Classification Search**
USPC D26/28
CPC F21S 48/00; F21S 48/10; F21S 48/115;
F21S 48/225; F21S 48/1233; F21S
48/1266; F21S 48/1388; F21S 48/2266;
F21V 21/04; B60Q 1/30; B60Q 1/2607;
B60Q 1/2696; B62J 6/00; B62J 6/04
See application file for complete search history.

(56) **References Cited**
U.S. PATENT DOCUMENTS

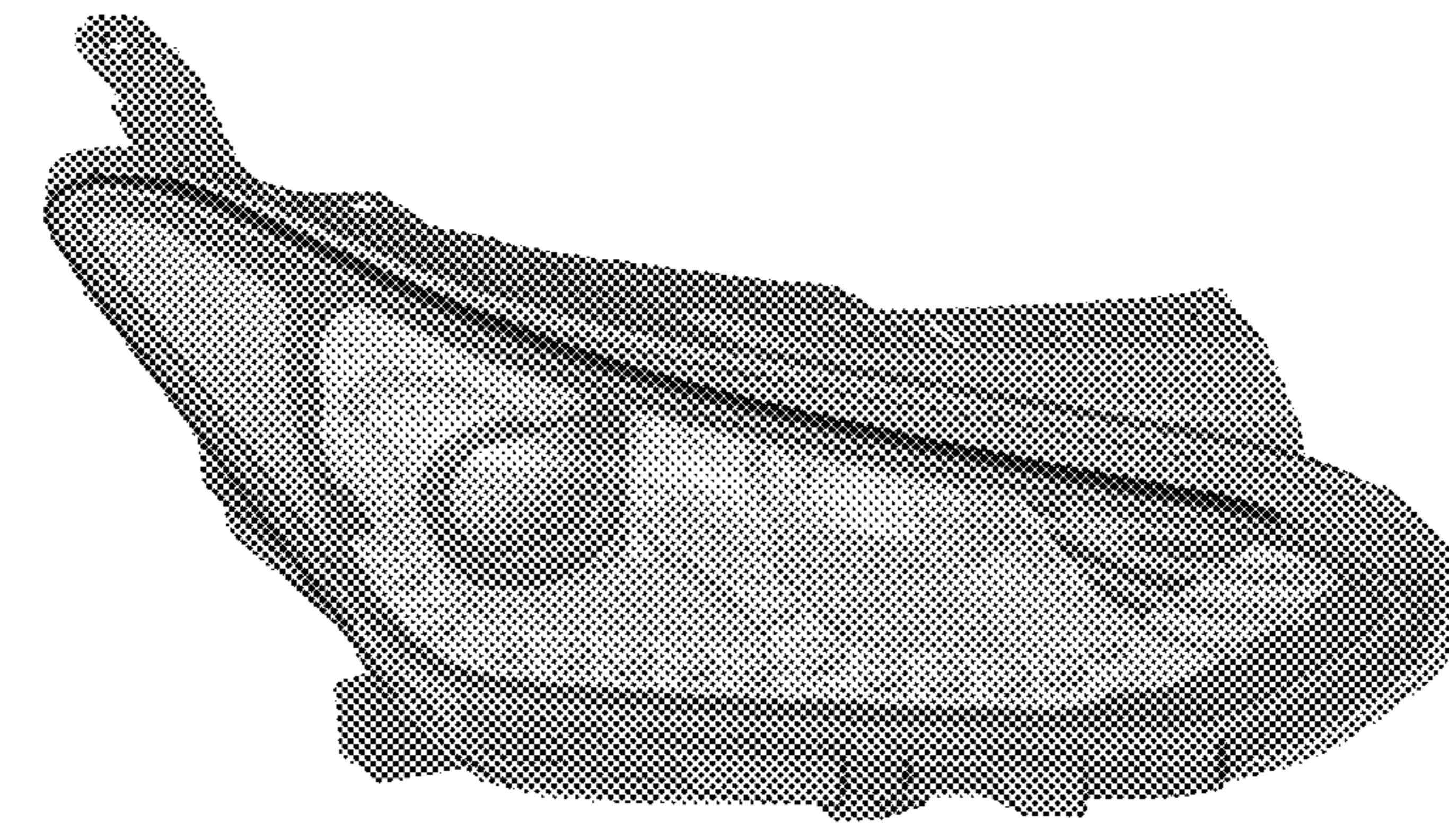
D635,701	S	*	4/2011	Chang	D26/28
D714,977	S	*	10/2014	Lee	D26/28
D738,003	S	*	9/2015	Park	D26/28
D739,578	S	*	9/2015	Han	D26/28
D755,424	S	*	5/2016	Kong	D26/28
D755,425	S	*	5/2016	Kong	D26/28
D767,801	S	*	9/2016	Han	D26/28
D771,293	S	*	11/2016	Ha	D26/28
D785,829	S	*	5/2017	Park	D26/28
D785,833	S	*	5/2017	Lee	D26/28
D785,837	S	*	5/2017	Lee	D26/28
D788,956	S	*	6/2017	Hong	D26/28
D801,567	S	*	10/2017	Oh	D26/28
D816,875	S	*	5/2018	Kong	D26/28
D818,164	S	*	5/2018	Ha	D26/28
D829,947	S	*	10/2018	Jung	D26/28
D842,510	S	*	3/2019	Kang	D26/28
D843,034	S	*	3/2019	Kim	D26/28
D846,777	S	*	4/2019	Hwang	D26/28
D846,778	S	*	4/2019	Hwang	D26/28

* cited by examiner
Primary Examiner — Natasha Vujcic
(74) *Attorney, Agent, or Firm* — Mintz Levin Cohn Ferris
Glovsky and Popeo, P.C.; Kongsik Kim

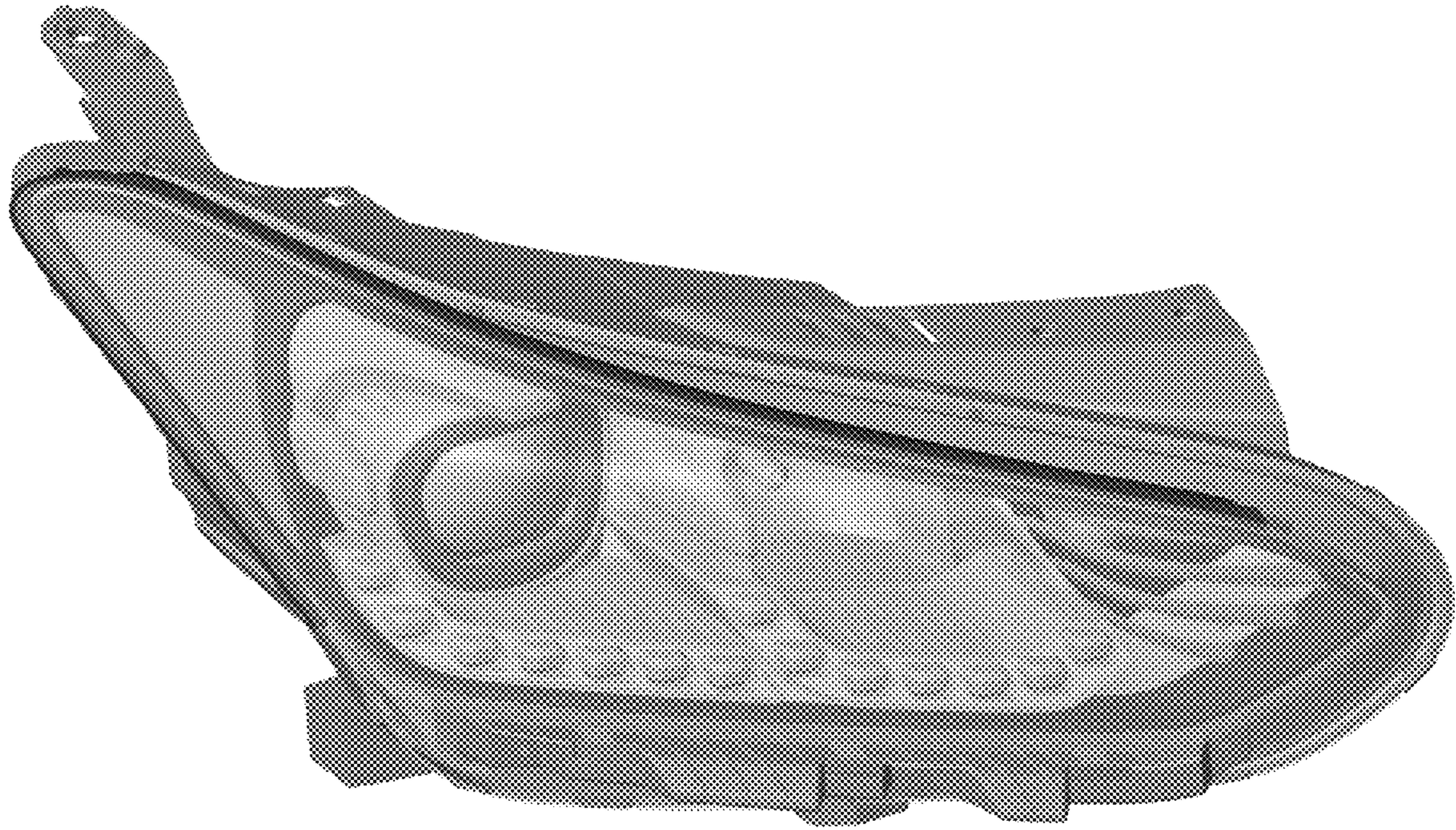
(57) **CLAIM**
The ornamental design for a headlamp for an automobile, as
shown and described.

DESCRIPTION
1. Headlamp for an automobile
1.1 : Perspective
1.2 : Front
1.3 : Back
1.4 : Left
1.5 : Right
1.6 : Top
1.7 : Bottom

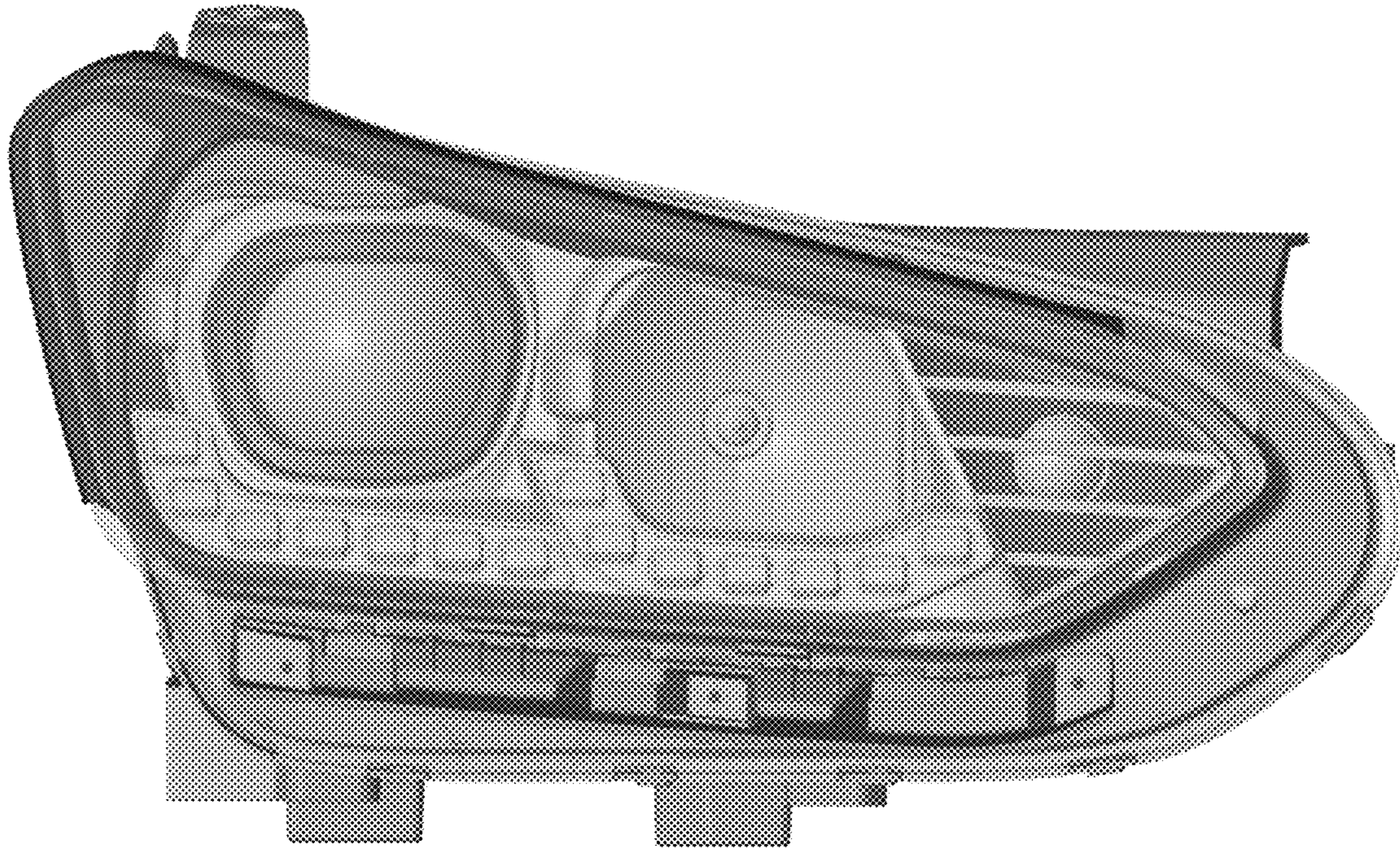
1 Claim, 7 Drawing Sheets



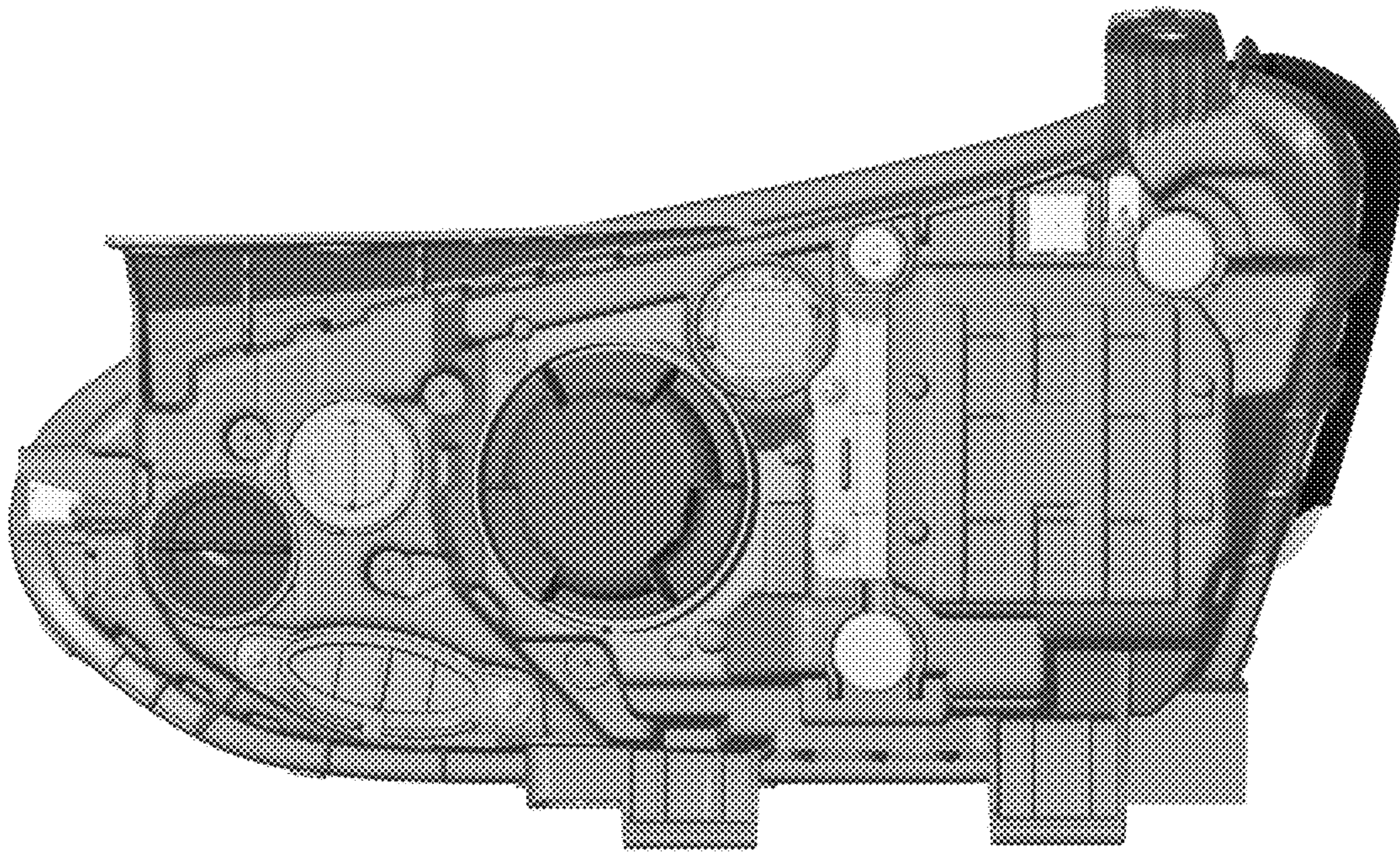
1.1



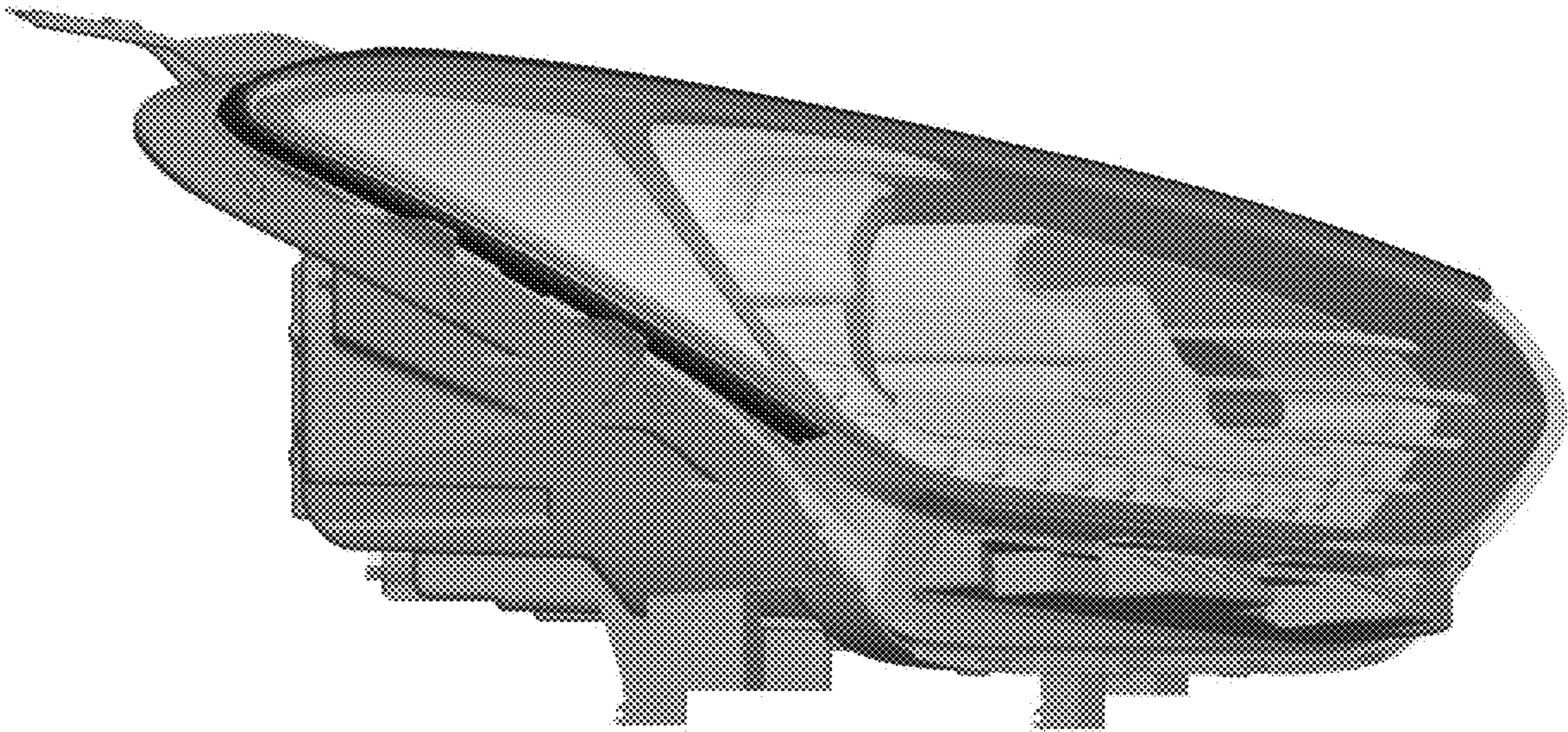
1.2



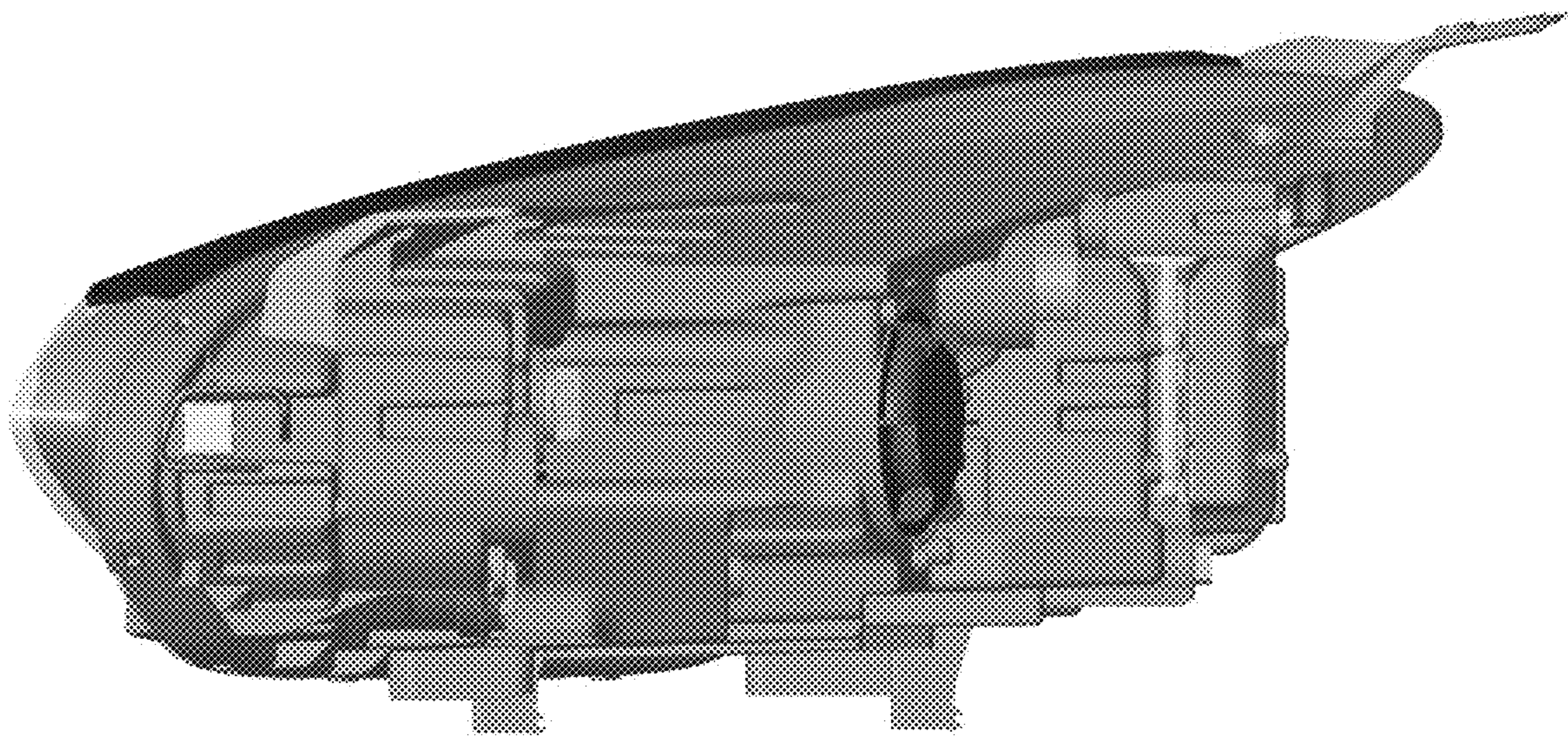
1.3



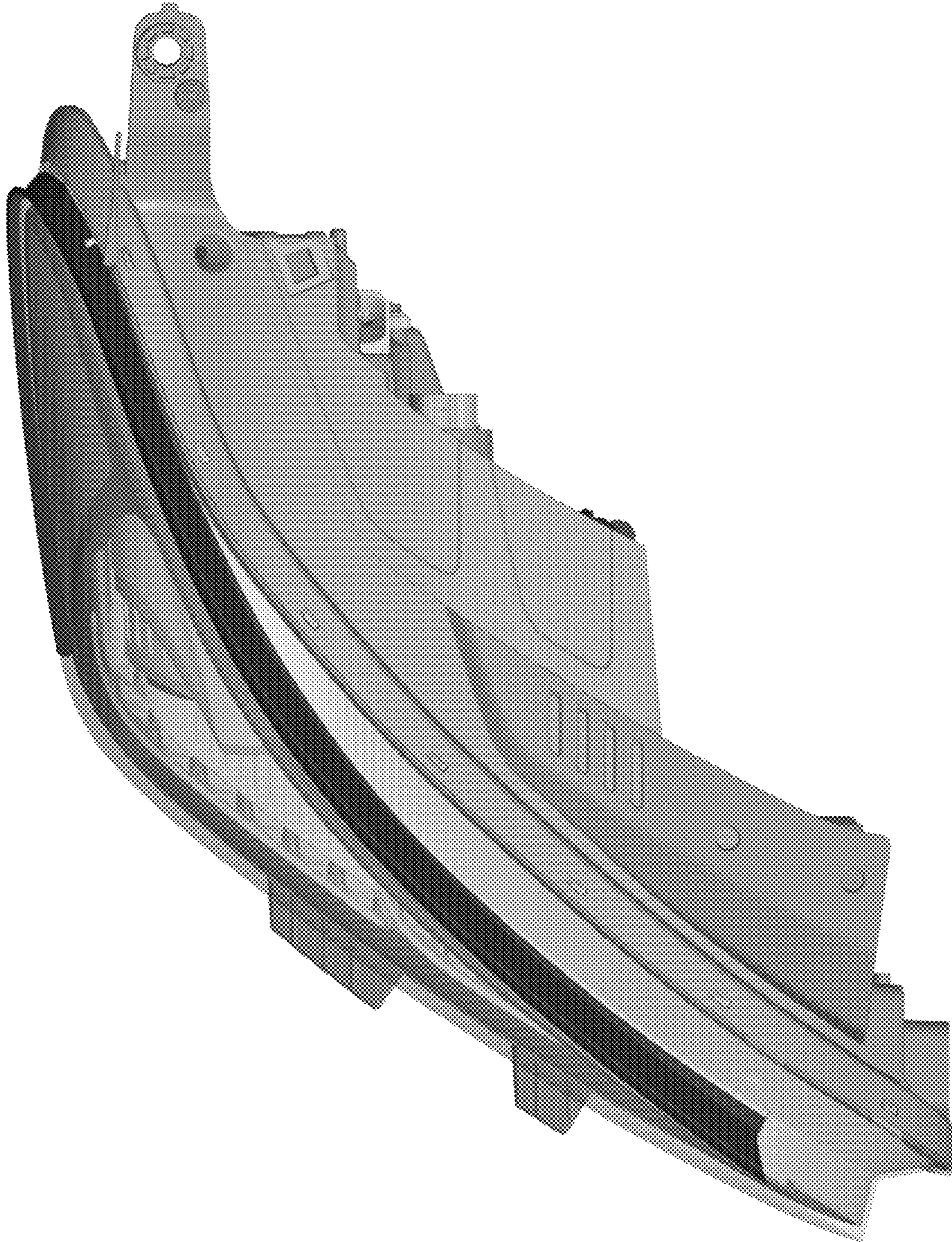
1.4



1.5



1.6



1.7

