



US00D865244S

(12) **United States Design Patent** (10) **Patent No.:** **US D865,244 S**
Kim et al. (45) **Date of Patent:** **** Oct. 29, 2019**

(54) **HEADLAMP FOR AN AUTOMOBILE**
(71) Applicants: **HYUNDAI MOTOR COMPANY**,
Seoul (KR); **KIA MOTORS**
CORPORATION, Seoul (KR)
(72) Inventors: **Gyu Bong Kim**, Suwon-si (KR); **Ji**
Won Ha, Suwon-si (KR); **Jun Hyuk**
Yim, Seoul (KR)
(73) Assignees: **Hyundai Motor Company**, Seoul
(KR); **Kia Motors Corporation**, Seoul
(KR)

(**) Term: **15 Years**

(21) Appl. No.: **35/505,759**

(22) Filed: **Mar. 27, 2018**

(80) **Hague Agreement Data**

Int. Filing Date: **Mar. 27, 2018**
Int. Reg. No.: **DM/100995**
Int. Reg. Date: **Mar. 27, 2018**
Int. Reg. Pub. Date: **Sep. 28, 2018**

(30) **Foreign Application Priority Data**

Sep. 29, 2017 (KR) 30-2017-0046204

(51) **LOC (12) Cl.** **26-06**

(52) **U.S. Cl.**
USPC **D26/28**

(58) **Field of Classification Search**
USPC D26/28
CPC F21S 48/00; F21S 48/10; F21S 48/115;
F21S 48/225; F21S 48/1233; F21S
48/1266; F21S 48/1388; F21S 48/2266;
F21V 21/04; B60Q 1/30; B60Q 1/2607;
B60Q 1/2696; B62J 6/00; B62J 6/04
See application file for complete search history.

(56) **References Cited**

U.S. PATENT DOCUMENTS

| | | | | |
|--------------|---------|-------|-------|--------|
| D635,701 S * | 4/2011 | Chang | | D26/28 |
| D714,977 S * | 10/2014 | Lee | | D26/28 |
| D738,003 S * | 9/2015 | Park | | D26/28 |
| D739,578 S * | 9/2015 | Han | | D26/28 |
| D755,424 S * | 5/2016 | Kong | | D26/28 |
| D755,425 S * | 5/2016 | Kong | | D26/28 |
| D767,801 S * | 9/2016 | Han | | D26/28 |
| D771,293 S * | 11/2016 | Ha | | D26/28 |
| D785,829 S * | 5/2017 | Park | | D26/28 |
| D785,833 S * | 5/2017 | Lee | | D26/28 |
| D785,837 S * | 5/2017 | Lee | | D26/28 |
| D788,956 S * | 6/2017 | Hong | | D26/28 |
| D801,567 S * | 10/2017 | Oh | | D26/28 |
| D816,875 S * | 5/2018 | Kong | | D26/28 |
| D818,164 S * | 5/2018 | Ha | | D26/28 |
| D829,947 S * | 10/2018 | Jung | | D26/28 |
| D842,510 S * | 3/2019 | Kang | | D26/28 |
| D843,034 S * | 3/2019 | Kim | | D26/28 |
| D846,777 S * | 4/2019 | Hwang | | D26/28 |
| D846,778 S * | 4/2019 | Hwang | | D26/28 |

* cited by examiner

Primary Examiner — *Natasha Vujcic*
(74) *Attorney, Agent, or Firm* — *Mintz Levin Cohn Ferris*
Glovsky and Popeo, P.C.; *Kongsik Kim*

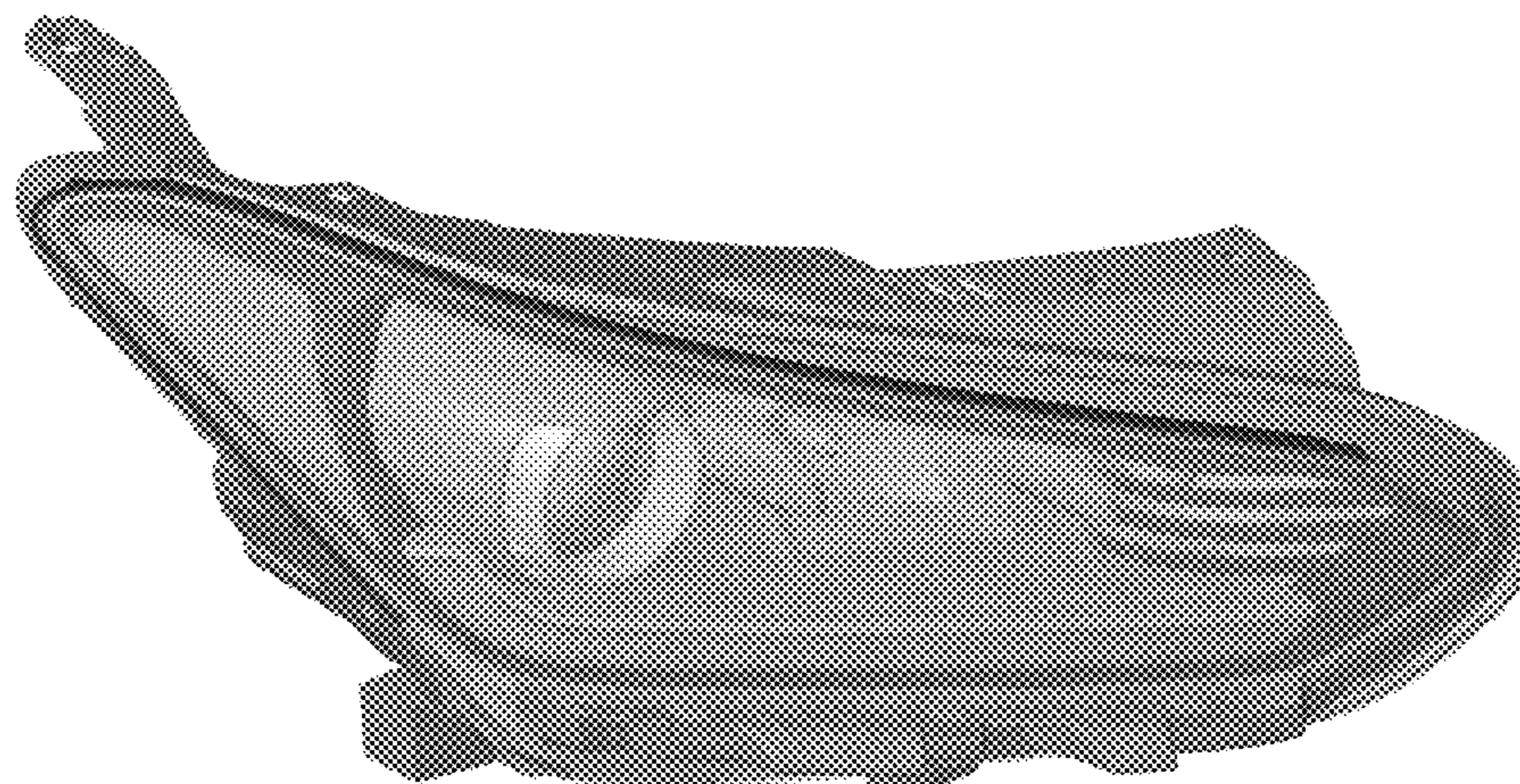
(57) **CLAIM**

The ornamental design for a headlamp for an automobile, as shown and described.

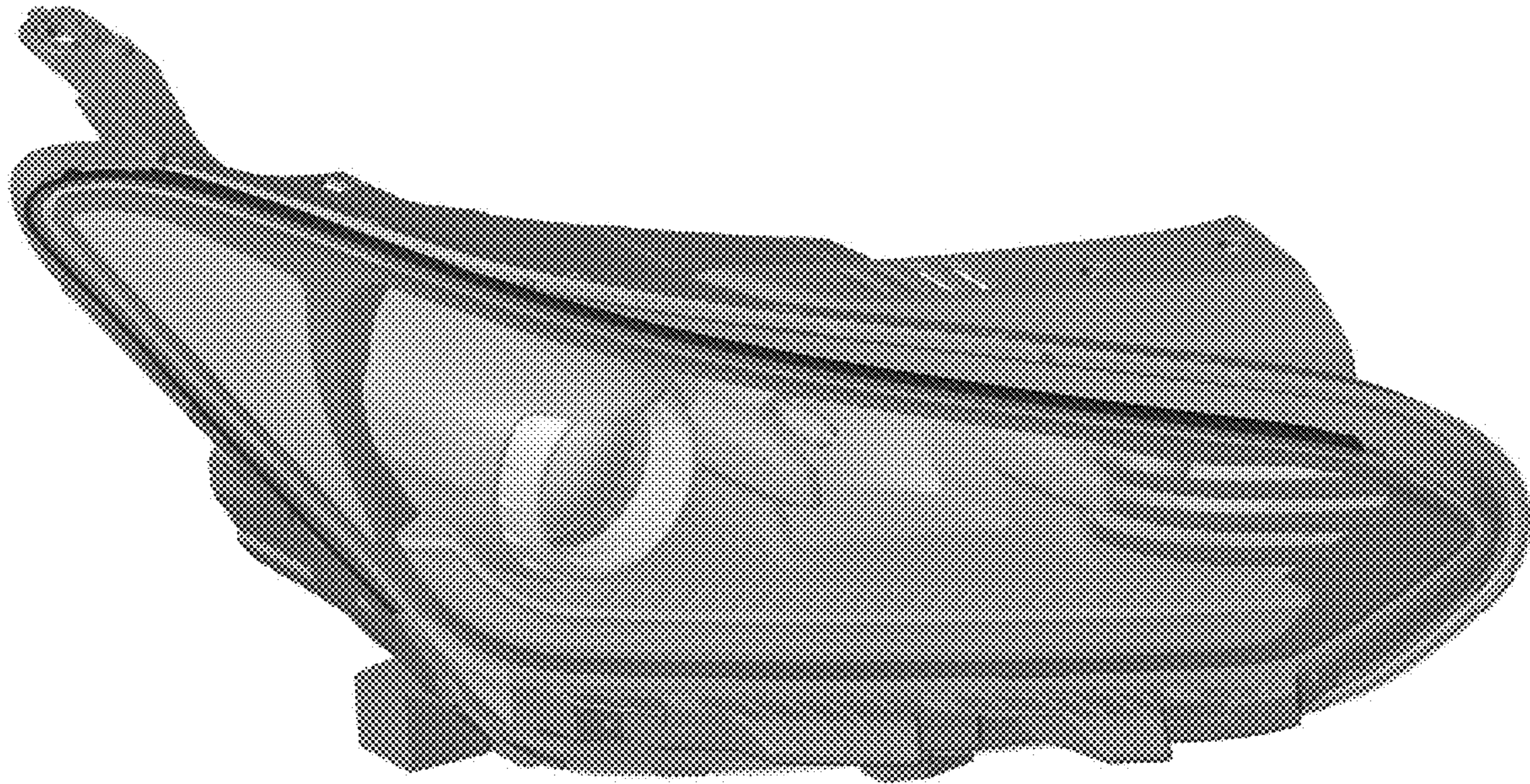
DESCRIPTION

- 1. Headlamp for an automobile
- 1.1 : Perspective
- 1.2 : Front
- 1.3 : Back
- 1.4 : Left
- 1.5 : Right
- 1.6 : Top
- 1.7 : Bottom

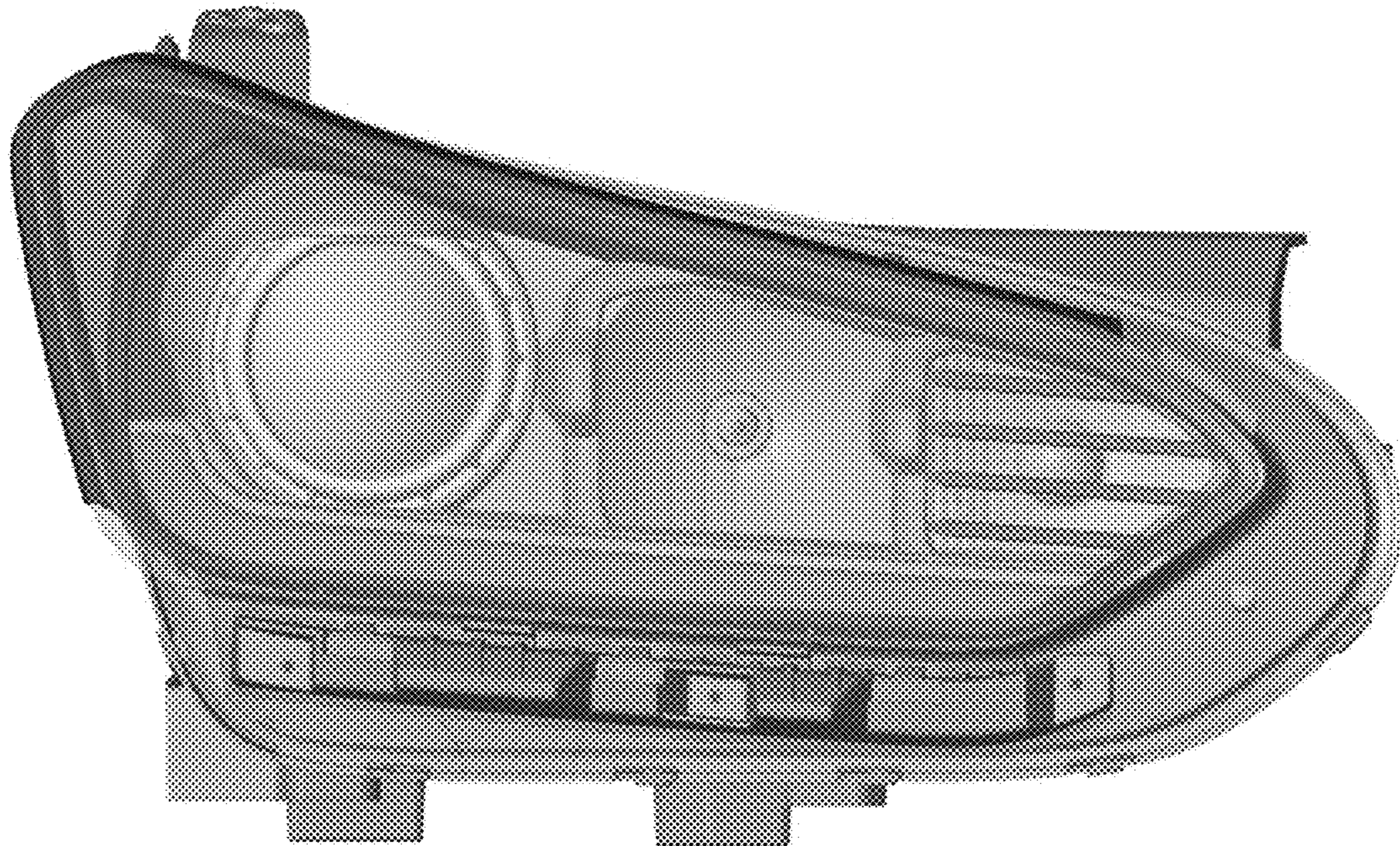
1 Claim, 7 Drawing Sheets



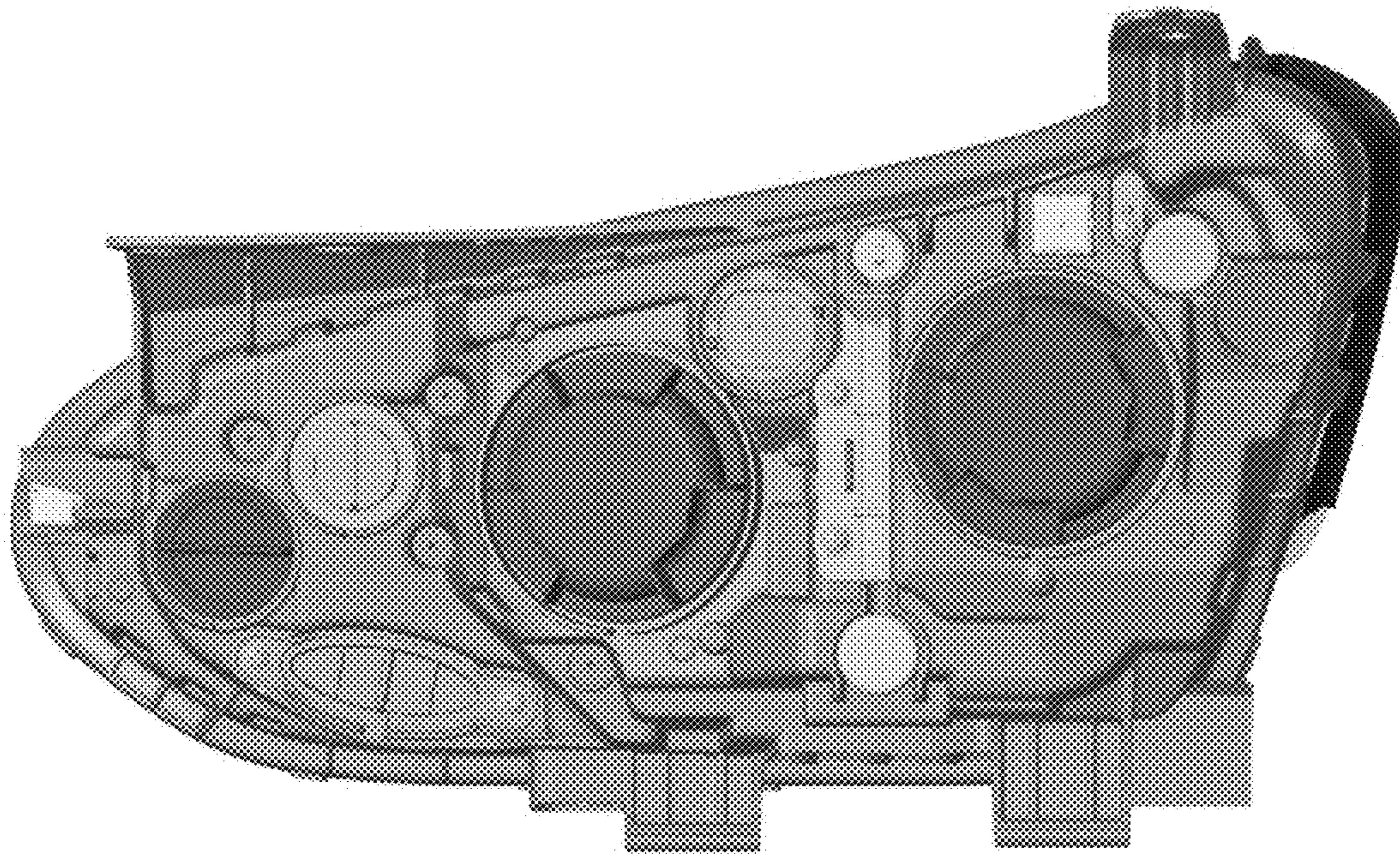
1.1



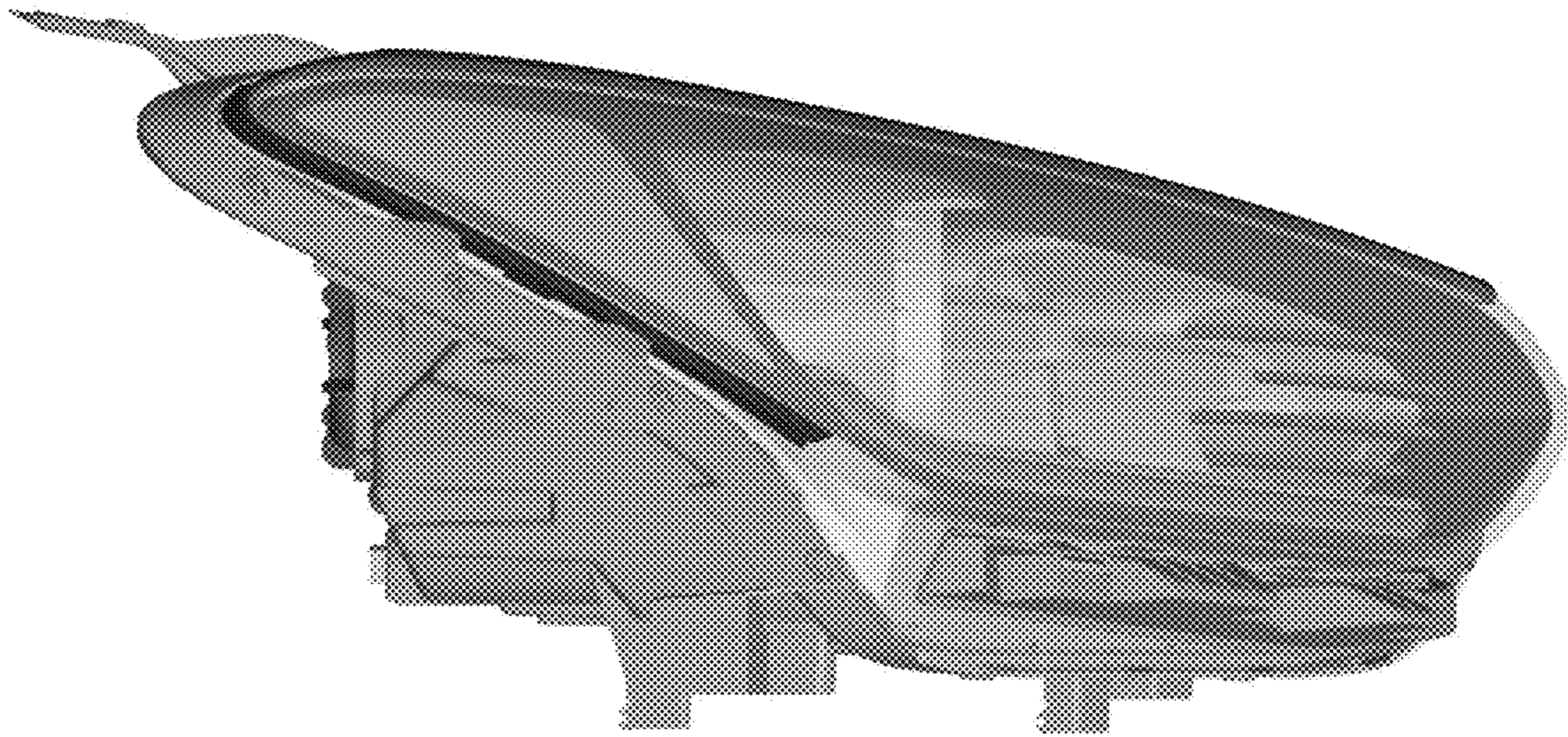
1.2



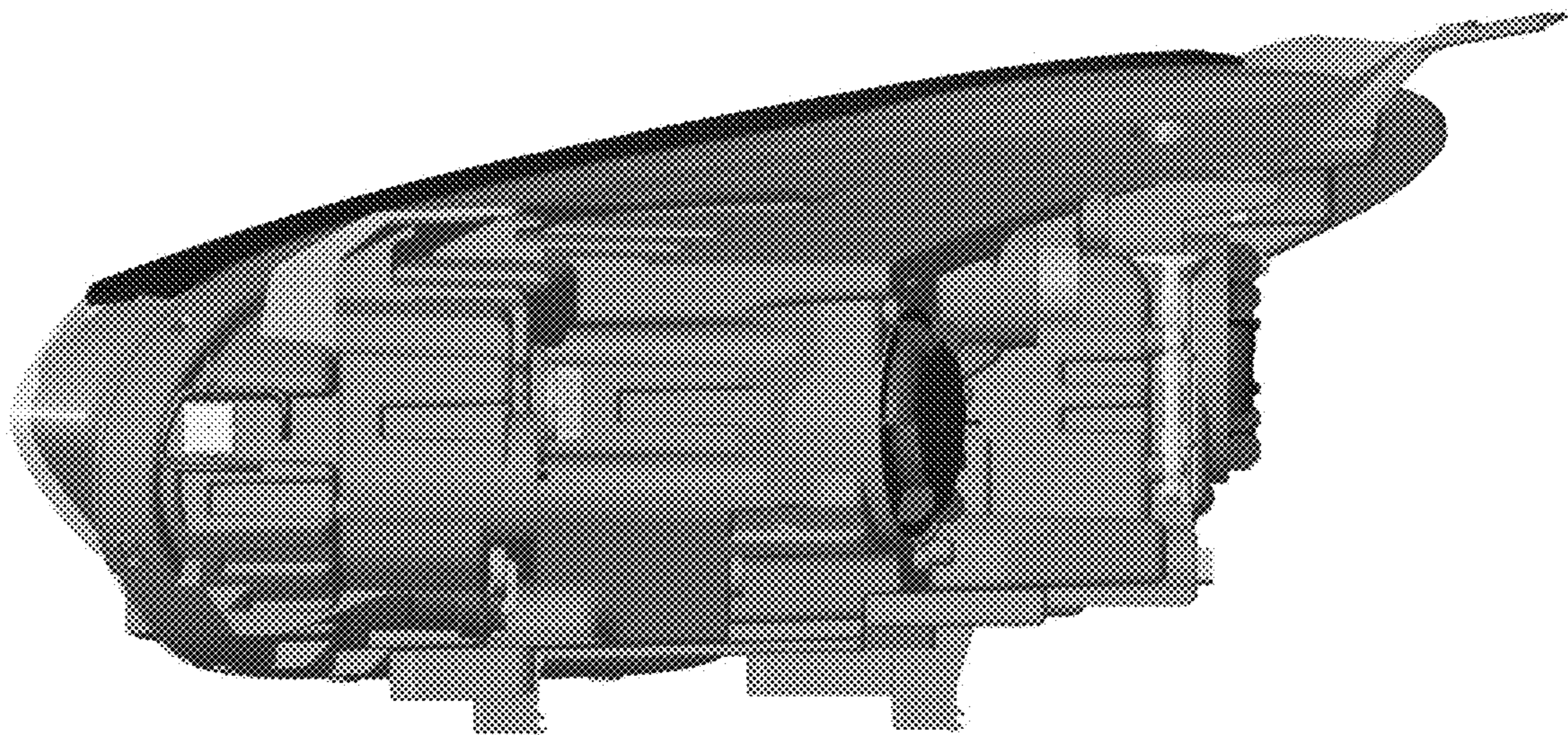
1.3



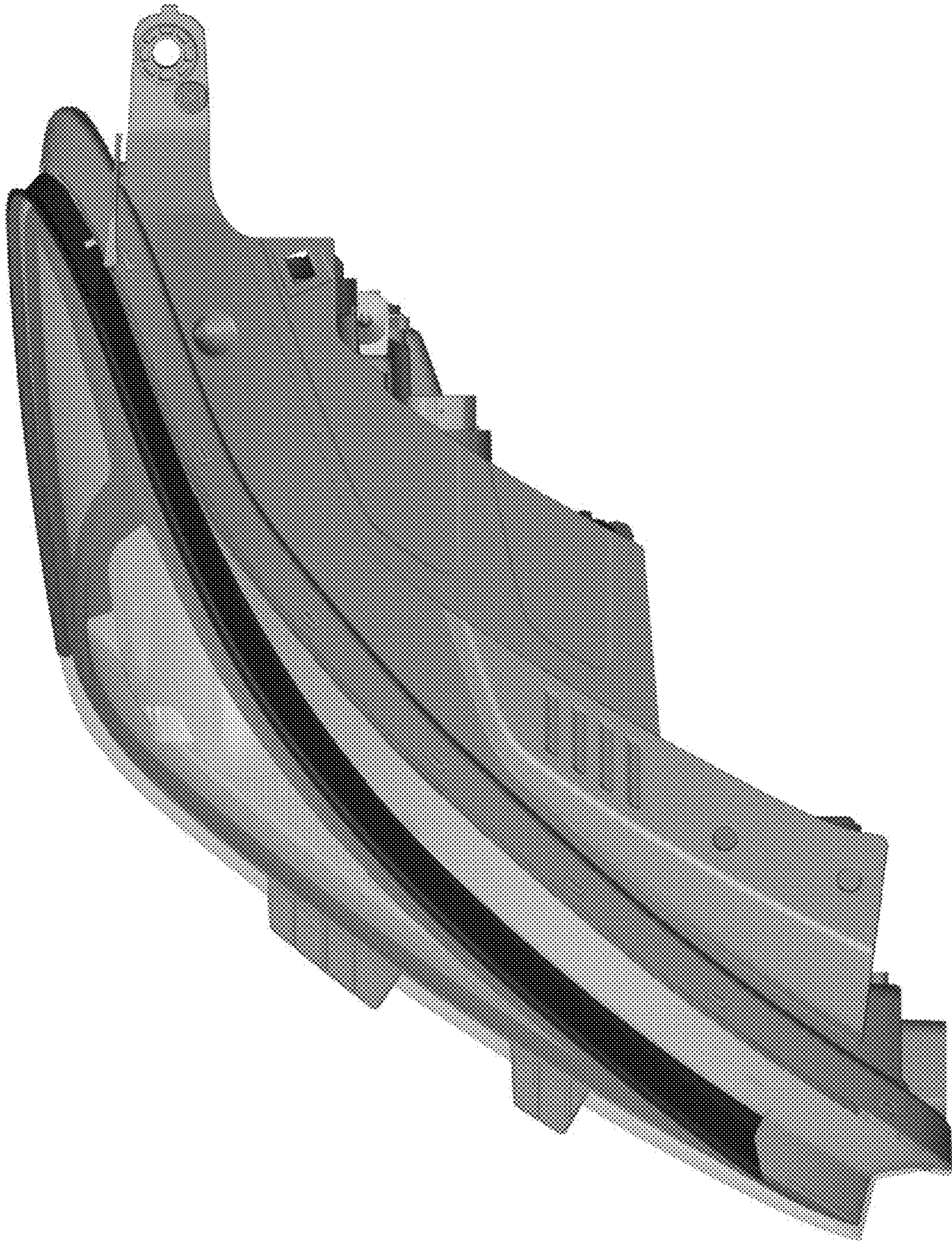
1.4



1.5



1.6



1.7

