



US00D865241S

(12) **United States Design Patent**
Wu

(10) **Patent No.:** **US D865,241 S**

(45) **Date of Patent:** **** Oct. 29, 2019**

(54) **VEHICLE LIGHT**

(71) Applicant: **COPLUS INC.**, Tainan (TW)

(72) Inventor: **Po-Hua Wu**, Tainan (TW)

(73) Assignee: **Coplus Inc.**, Tainan (TW)

(**) Term: **15 Years**

(21) Appl. No.: **29/657,487**

(22) Filed: **Jul. 23, 2018**

(30) **Foreign Application Priority Data**

Feb. 2, 2018 (TW) 107300687

(51) **LOC (12) Cl.** **26-06**

(52) **U.S. Cl.**
USPC **D26/28**

(58) **Field of Classification Search**
USPC D26/28-36, 139
CPC F21S 48/00; F21S 48/10; F21S 48/115;
F21S 48/225; F21S 48/1233; F21S
48/1266; F21S 48/1388; F21S 48/2268;
F21V 21/04; F21K 9/00; F21K 29/004
See application file for complete search history.

(56) **References Cited**

U.S. PATENT DOCUMENTS

D593,233 S * 5/2009 Bai D26/28
D674,938 S * 1/2013 Lai D26/28

D740,978 S * 10/2015 Lee D26/28
D743,065 S * 11/2015 Weil D26/28
D787,721 S * 5/2017 Lai D26/28
D807,549 S * 1/2018 Lin D26/28
D822,242 S * 7/2018 Lee D26/28

* cited by examiner

Primary Examiner — Marcus A Jackson

(74) *Attorney, Agent, or Firm* — Lewis Roca Rothgerber
Christie LLP

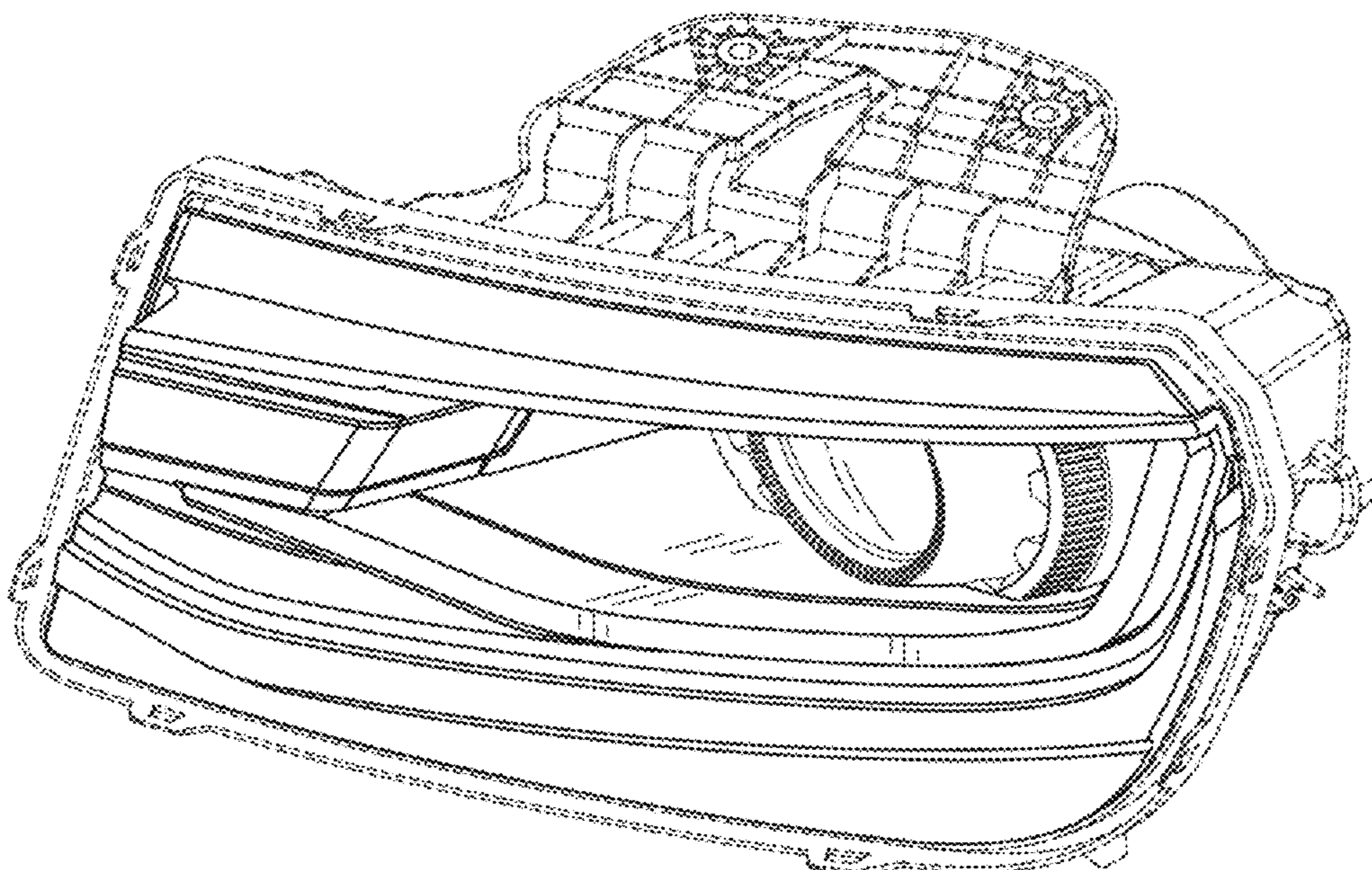
(57) **CLAIM**

The ornamental design for a vehicle light, as shown and described.

DESCRIPTION

FIG. 1 is a perspective view of a vehicle light;
FIG. 2 is a front view thereof;
FIG. 3 is a rear view thereof;
FIG. 4 is a left side view thereof;
FIG. 5 is a right side view thereof;
FIG. 6 is a top view thereof; and,
FIG. 7 is a bottom view thereof.
The broken lines in the drawings are for illustrative purpose only and form no part of the claimed design.

1 Claim, 7 Drawing Sheets



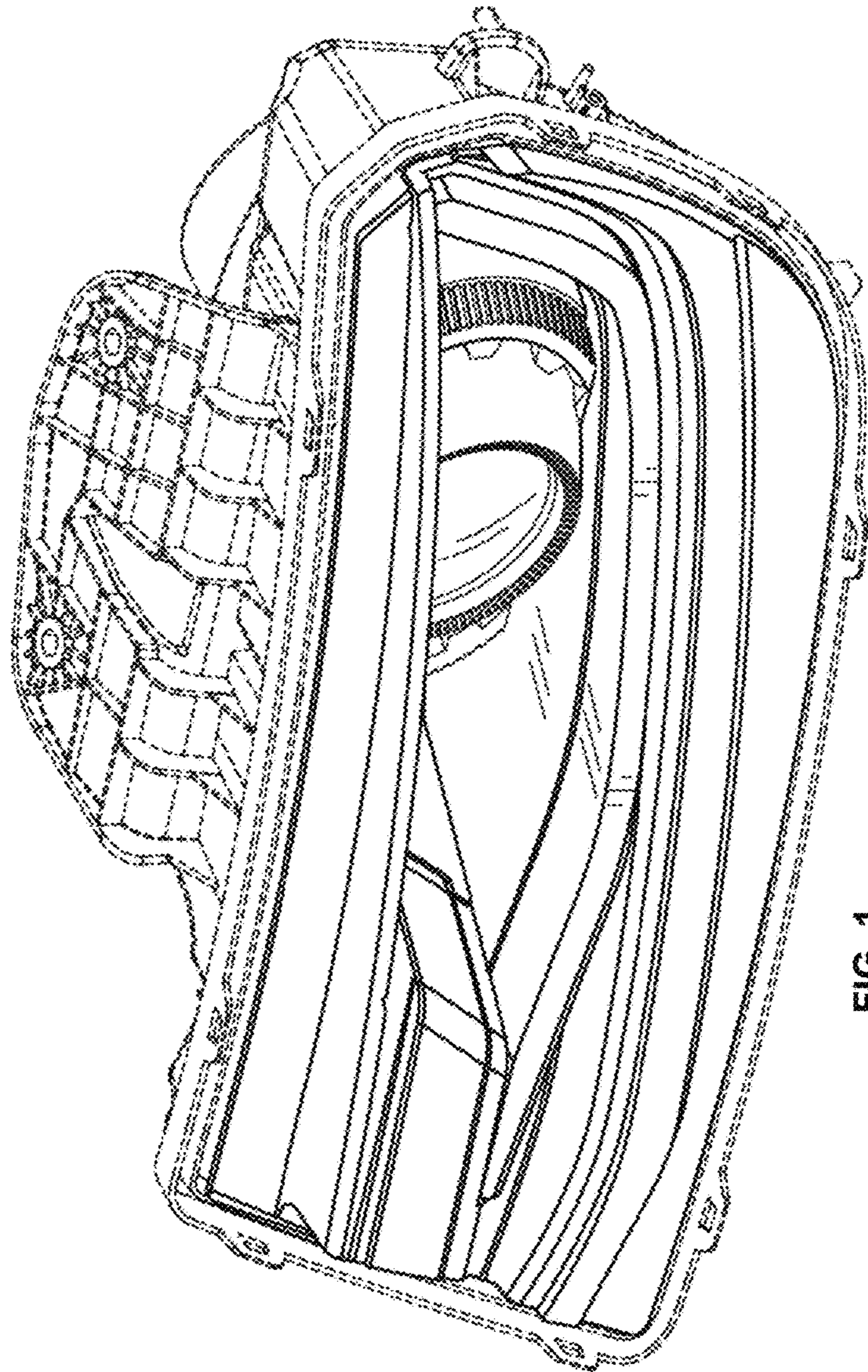


FIG. 1

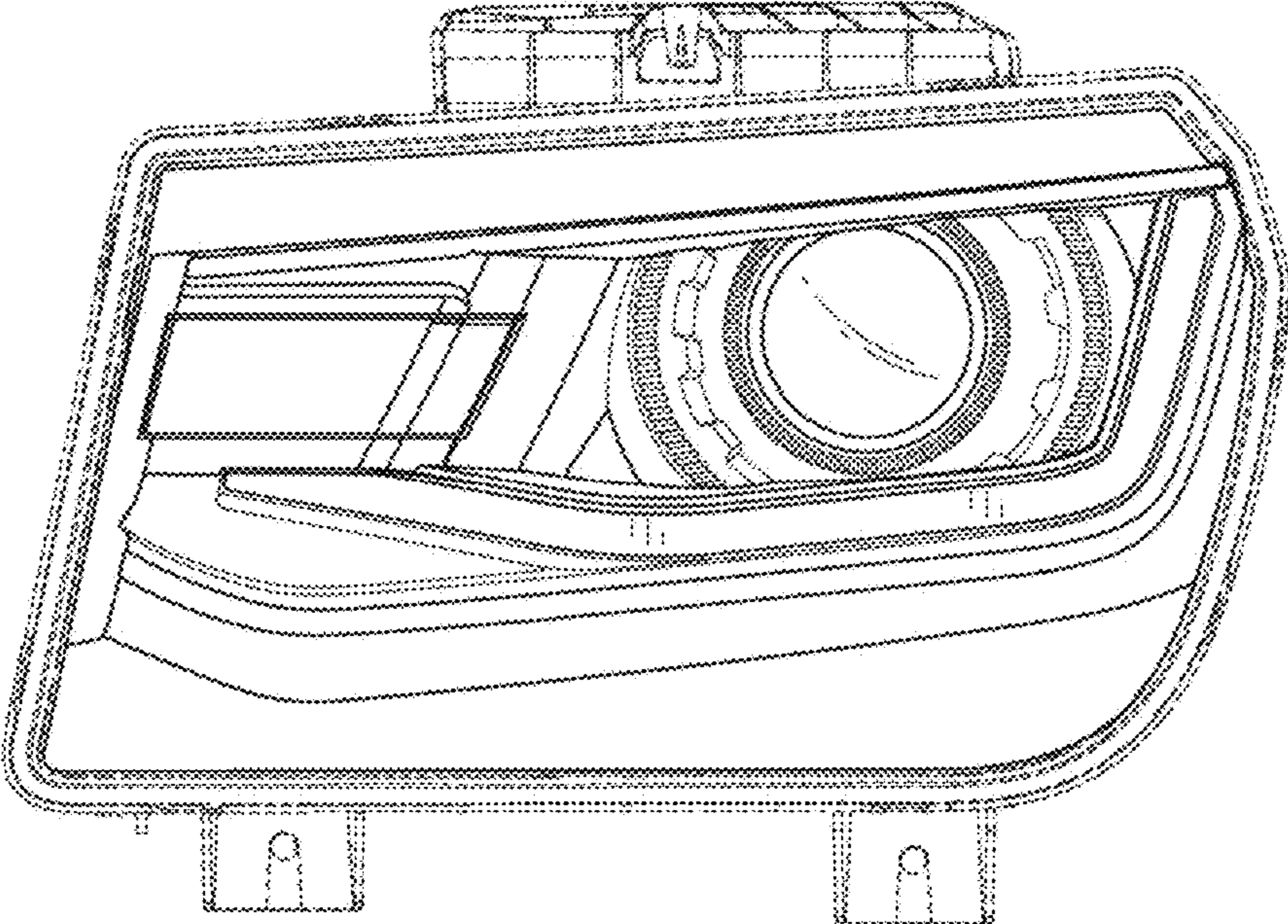


FIG. 2

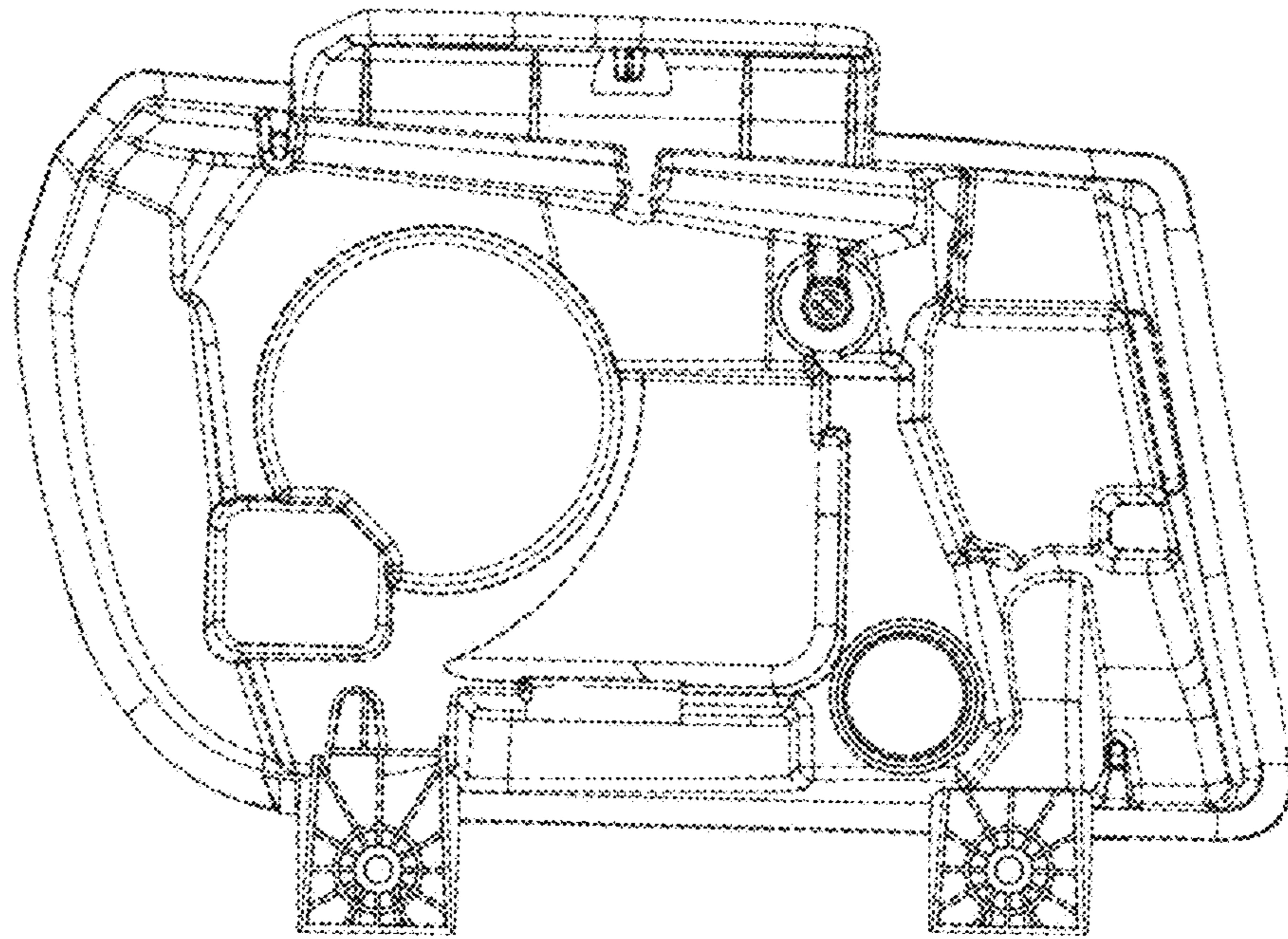


FIG. 3

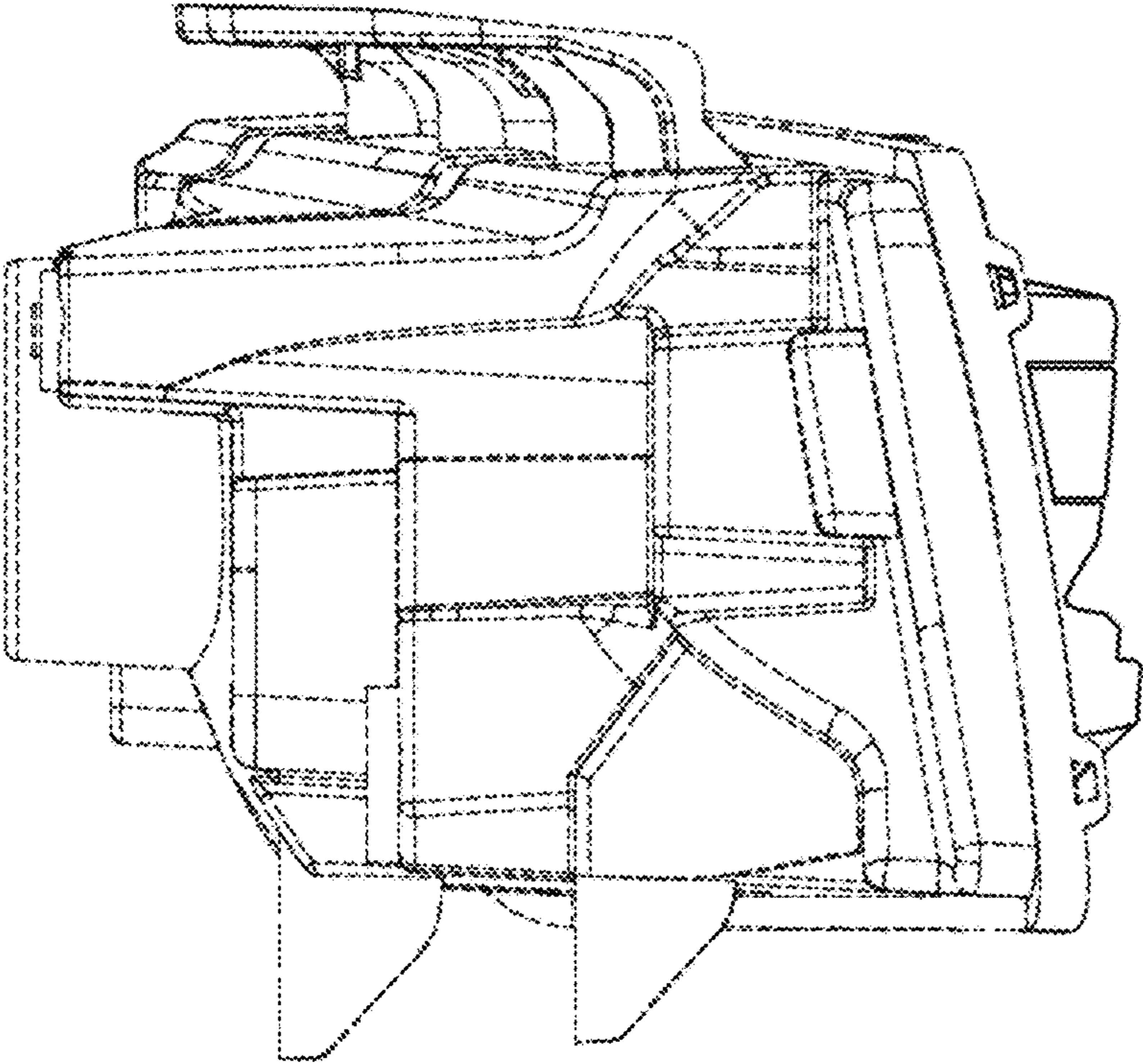


FIG. 4

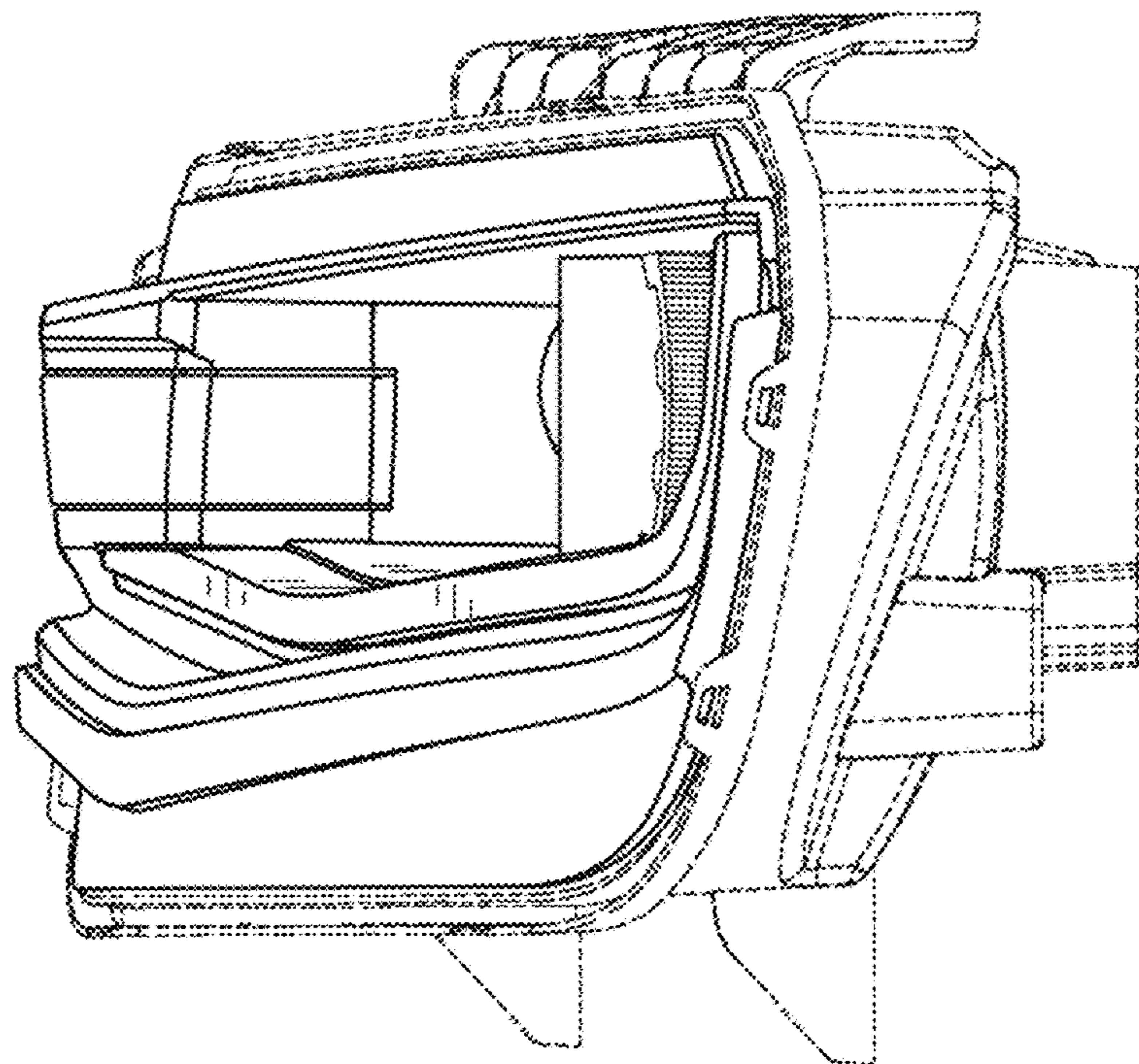


FIG. 5

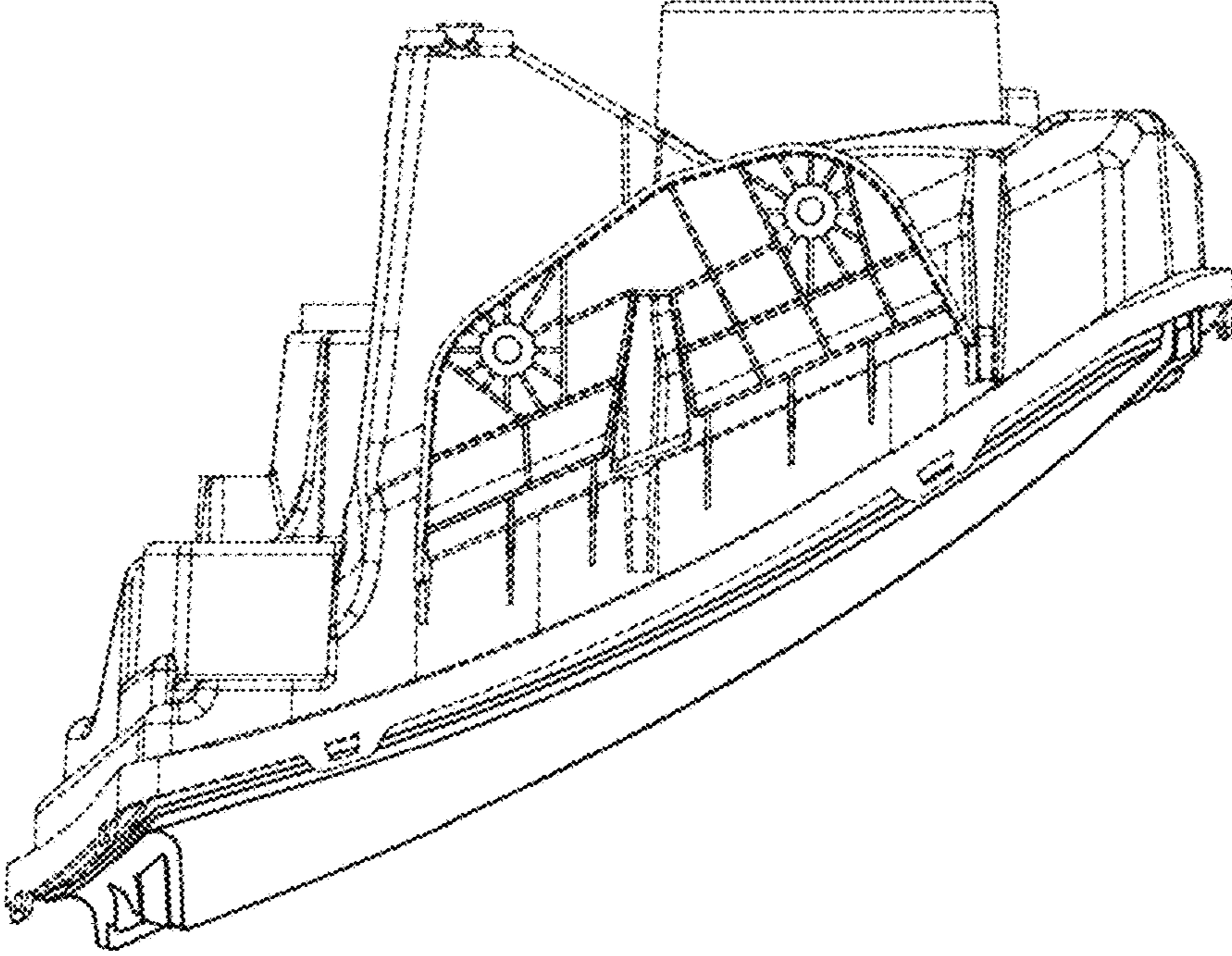


FIG. 6

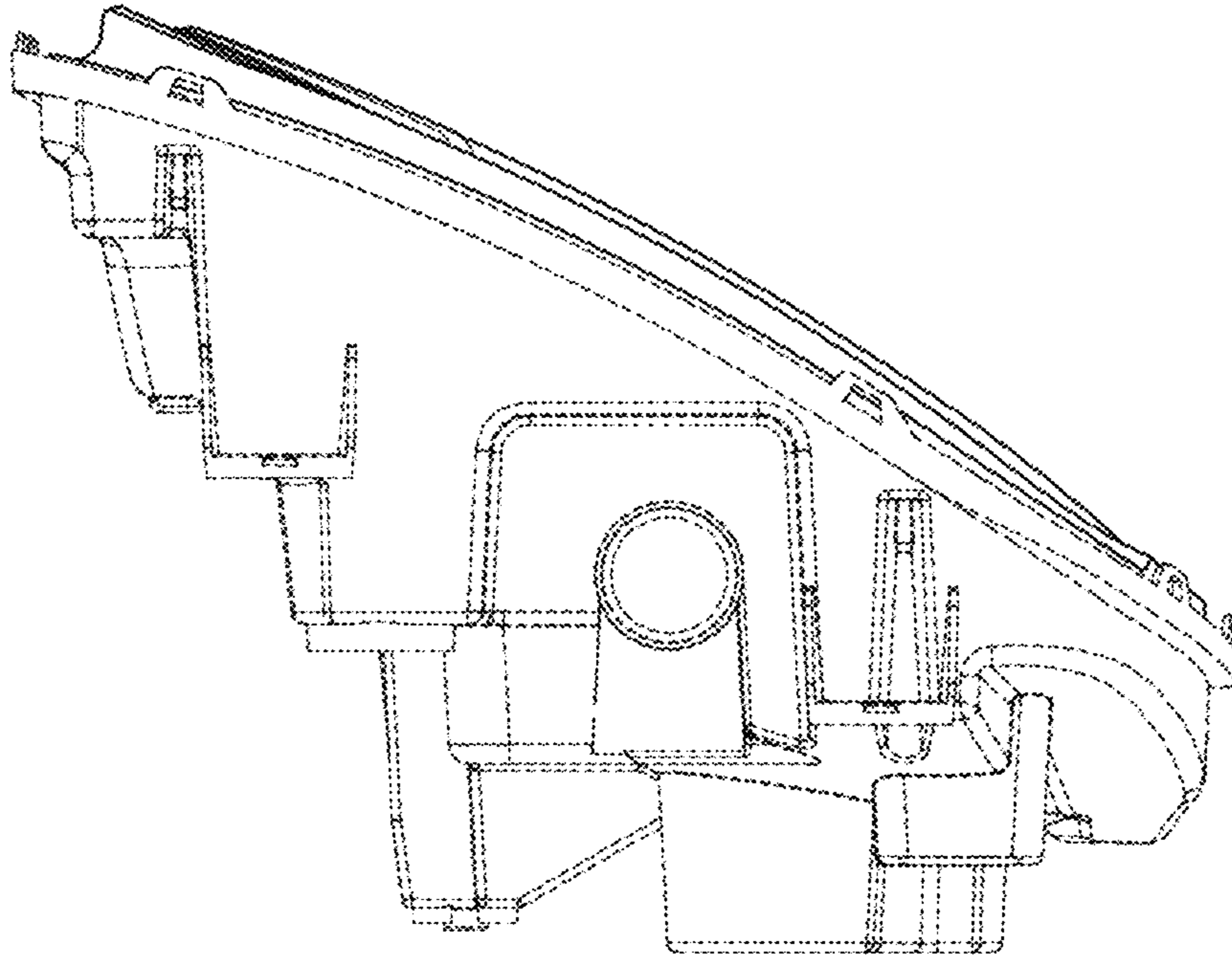


FIG. 7