



US00D865240S

(12) **United States Design Patent** (10) **Patent No.:** **US D865,240 S**
Kanasugi (45) **Date of Patent:** **** Oct. 29, 2019**

(54) **FRONT COMBINATION LAMP FOR AN AUTOMOBILE**

(71) Applicant: **Tsuneo Kanasugi**, Toyota (JP)

(72) Inventor: **Tsuneo Kanasugi**, Toyota (JP)

(73) Assignee: **TOYOTA JIDOSHA KABUSHIKI KAISHA** (JP)

(**) Term: **15 Years**

(21) Appl. No.: **29/654,102**

(22) Filed: **Jun. 21, 2018**

(51) **LOC (12) Cl.** **26-06**

(52) **U.S. Cl.**
USPC **D26/28**

(58) **Field of Classification Search**
USPC D26/28-36, 139
CPC F21S 48/00; F21S 48/10; F21S 48/115;
F21S 48/225; F21S 48/1233; F21S 48/1266; F21S 48/1388; F21S 48/2268;
F21V 21/04; F21V 29/004
See application file for complete search history.

(56) **References Cited**

U.S. PATENT DOCUMENTS

D528,685 S *	9/2006	Yoshida	D26/28
D544,114 S *	6/2007	Ohta	D26/28
D561,358 S *	2/2008	Tachibana	D26/28
D597,232 S *	7/2009	Hanaoka	D26/28
D726,353 S *	4/2015	Yagihashi	D26/28

OTHER PUBLICATIONS

Netcarshow, Lexus LC 500 (2017), <https://www.netcarshow.com/lexus/2017-lc_500/1280x960/wallpaper_39.htm/>, available as early as Apr. 1, 2017.

Netcarshow, Porsche Cayenne (2018), <https://www.netcarshow.com/porsche/2018-cayenne/1280x960/wallpaper_d8.htm/>, available as early as Jan. 1, 2018.

* cited by examiner

Primary Examiner — Marcus A Jackson

(74) *Attorney, Agent, or Firm* — Saidman DesignLaw Group, LLC

(57) **CLAIM**

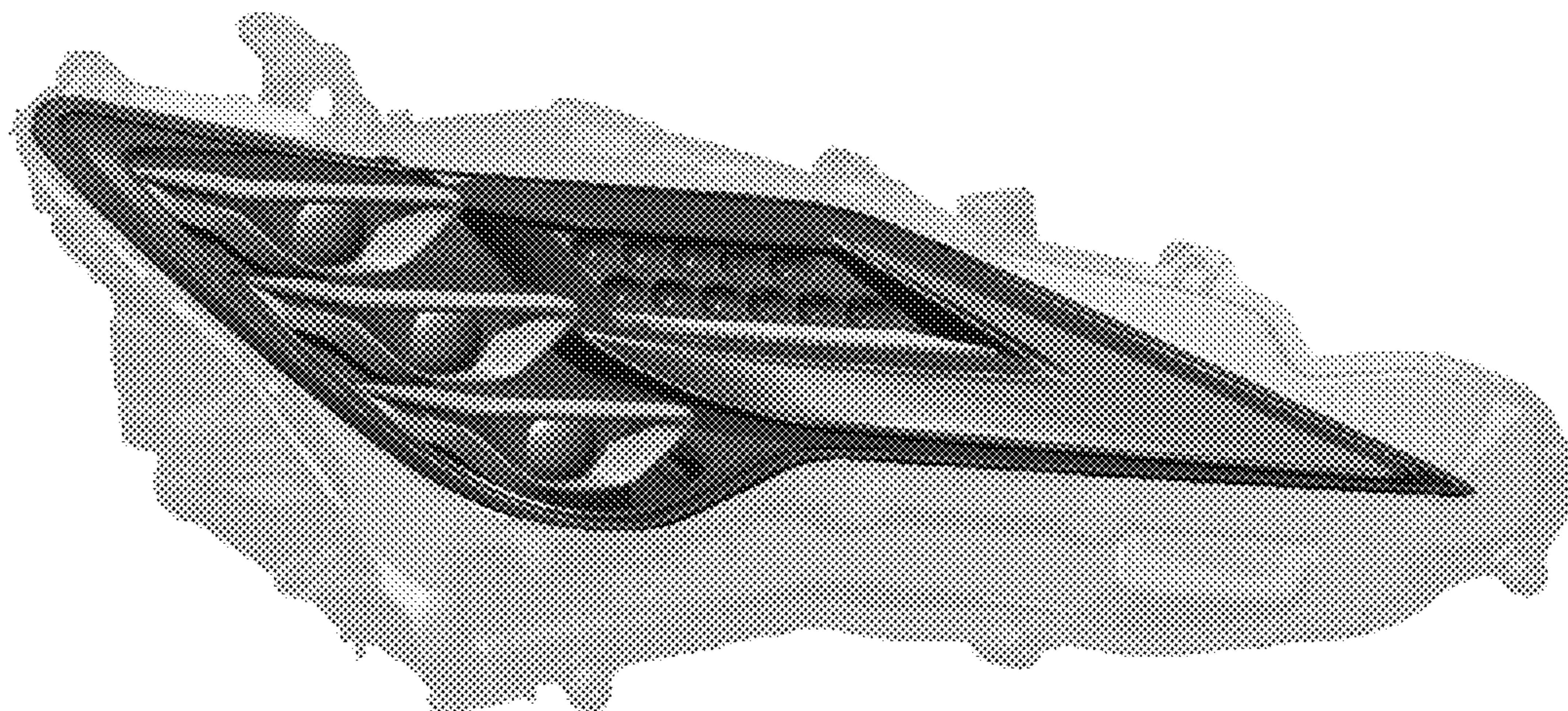
The ornamental design for a front combination lamp for an automobile, as shown and described.

DESCRIPTION

FIG. 1 is a perspective view of a front combination lamp for an automobile showing my new design;
FIG. 2 is a front view thereof;
FIG. 3 is a rear view thereof;
FIG. 4 is a left side view thereof;
FIG. 5 is a right side view thereof;
FIG. 6 is a top view thereof; and,
FIG. 7 is a bottom view thereof.

The claimed design is indicated by the relatively dark portions in the figures. The relatively light portions form no part of the claimed design.

1 Claim, 7 Drawing Sheets



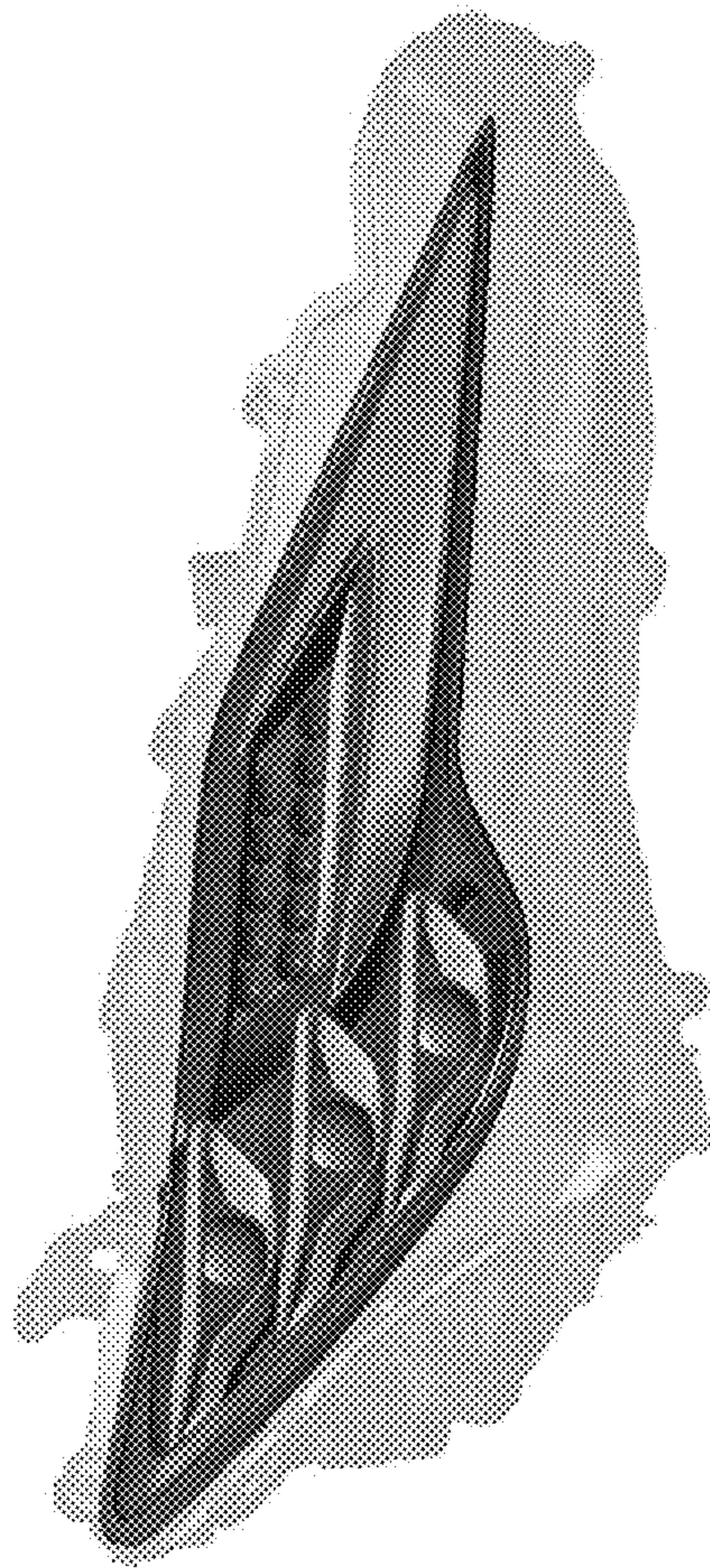


FIG. 1

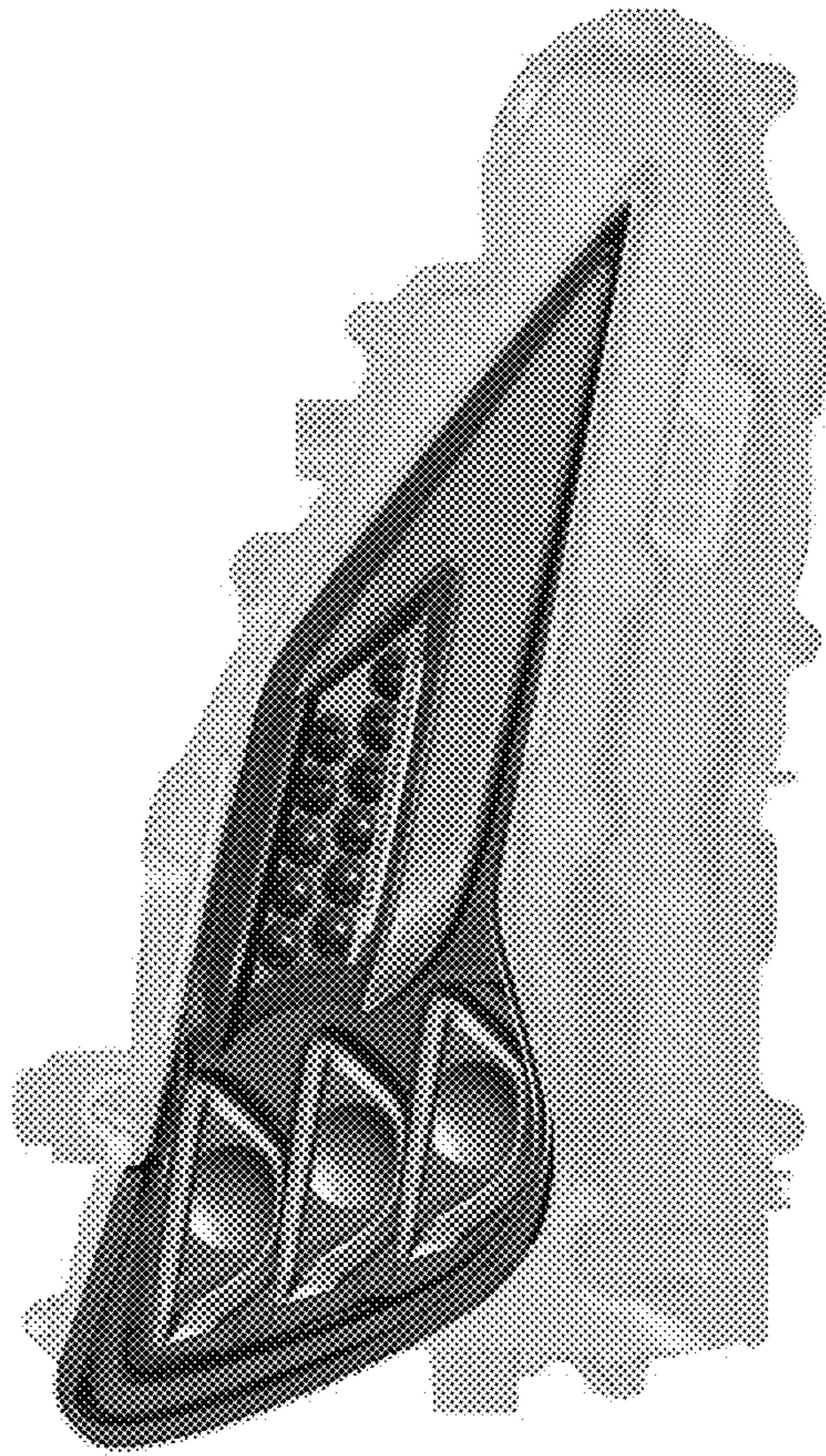


FIG. 2

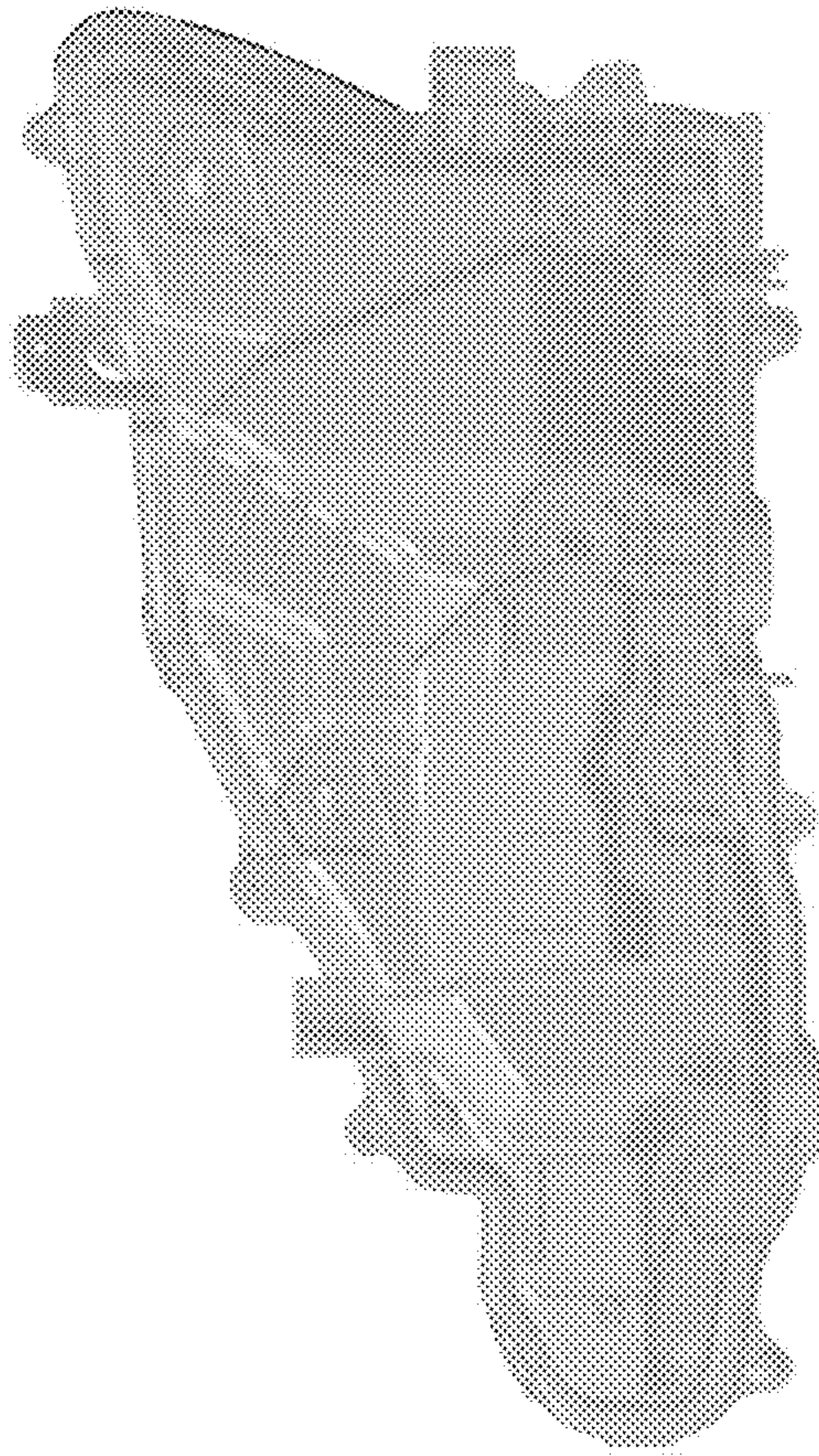


FIG. 3

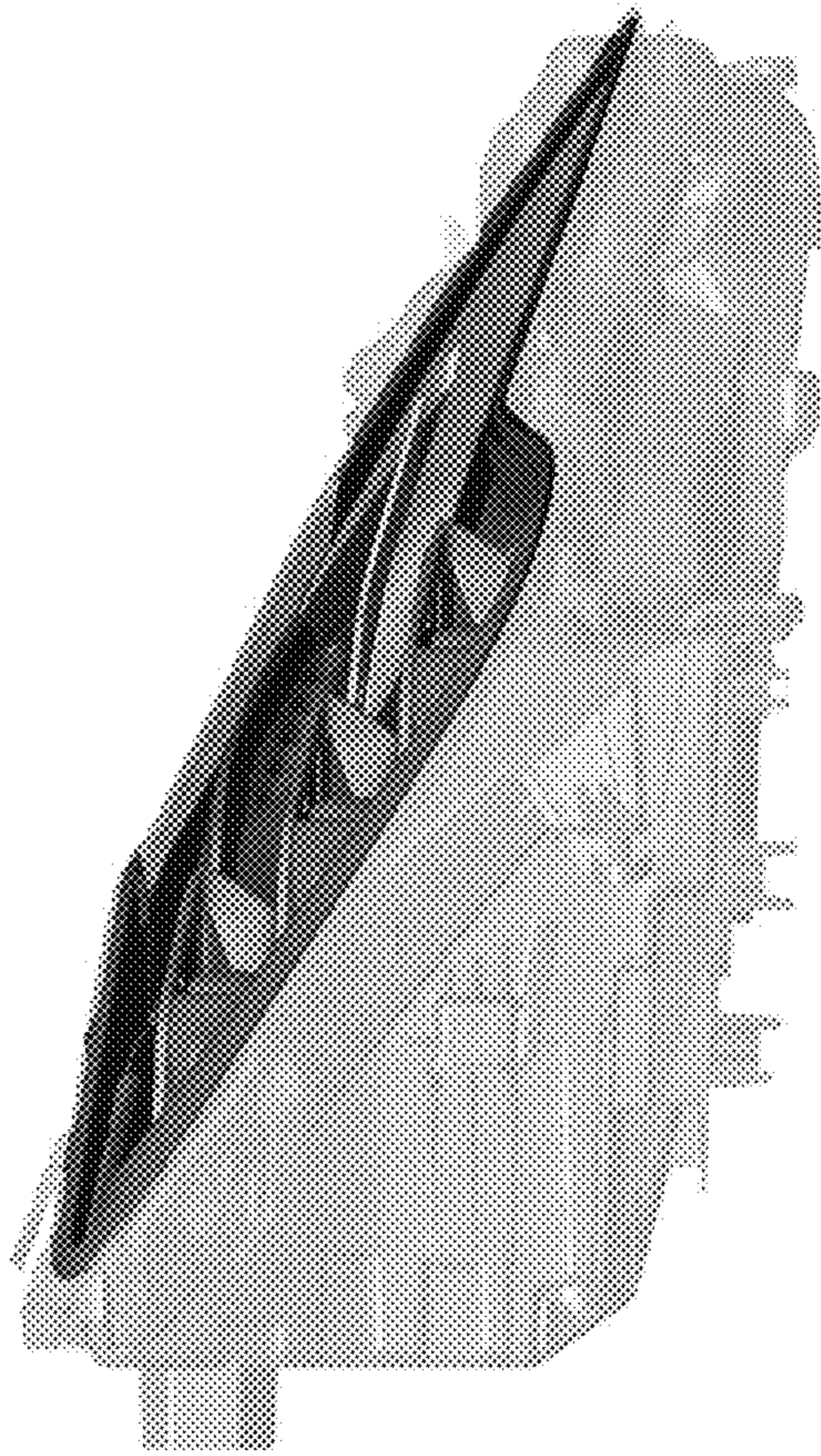


FIG. 4

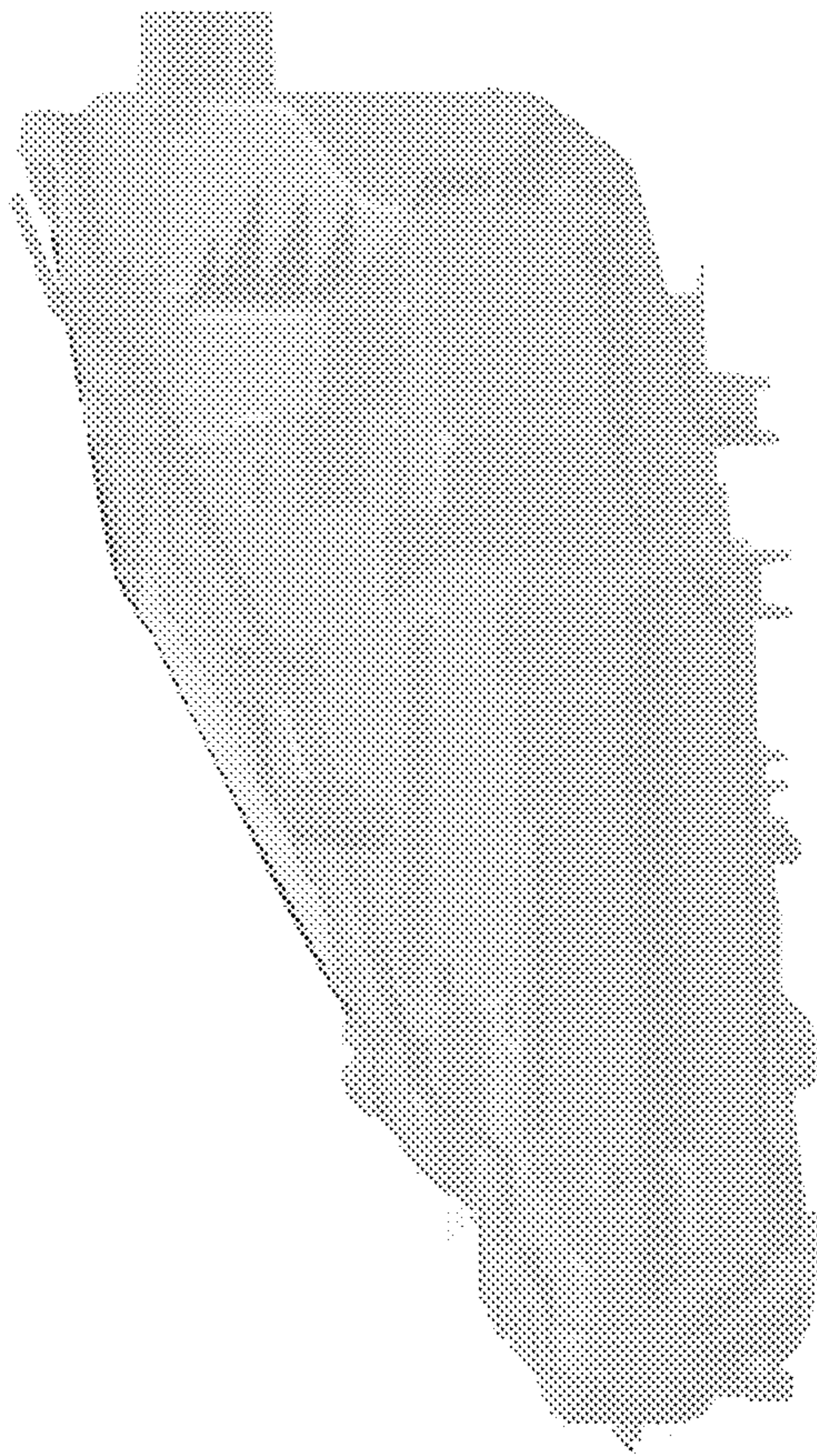


FIG. 5

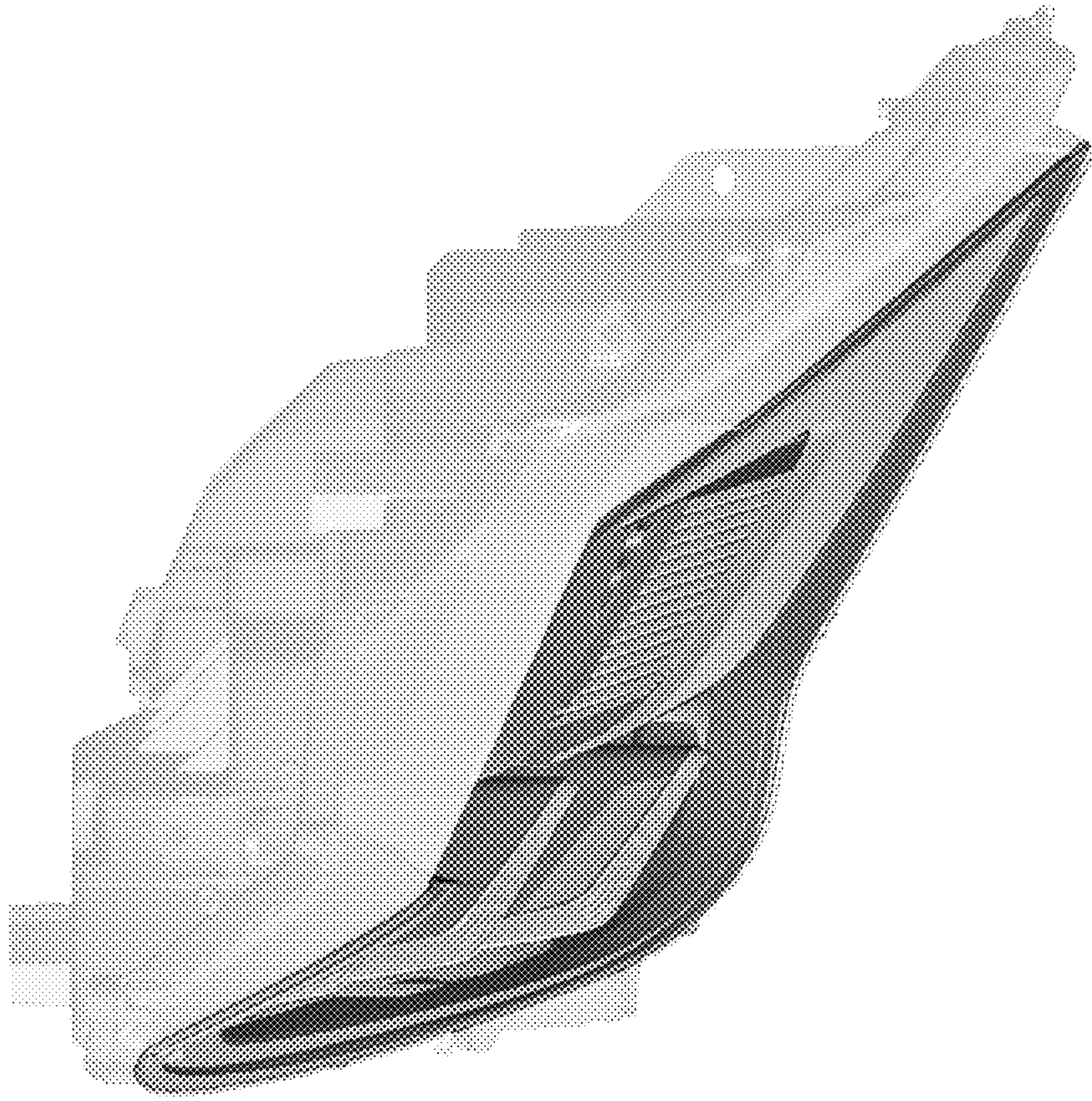


FIG. 6

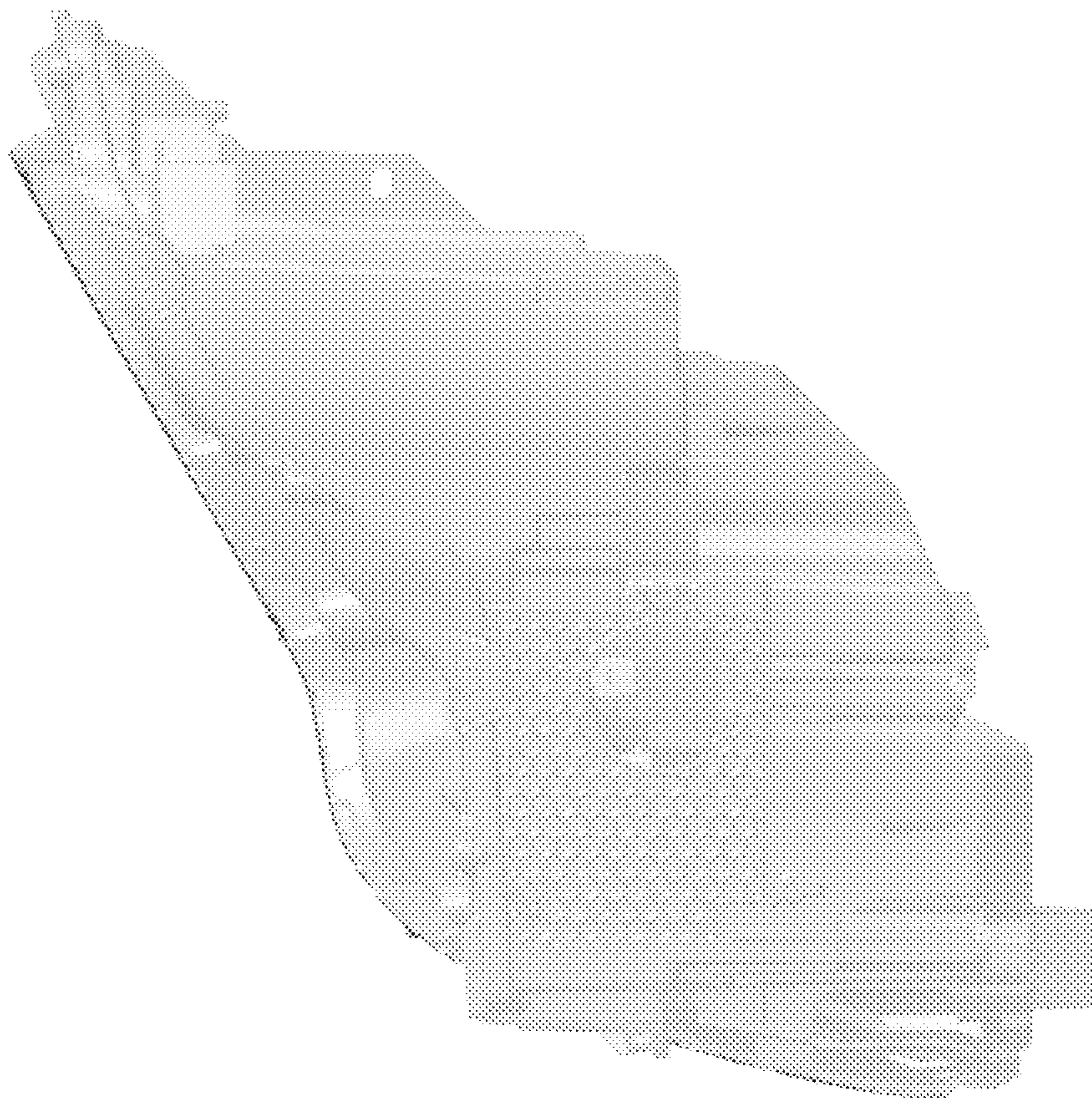


FIG. 7