

US00D865238S

(12) **United States Design Patent** (10) **Patent No.:** **US D865,238 S**
Wu (45) **Date of Patent:** **** Oct. 29, 2019**

(54) **LIGHT MODULE FOR A CAR HEADLIGHT**
(71) Applicant: **Yuanhai Wu**, Guangdong (CN)
(72) Inventor: **Yuanhai Wu**, Guangdong (CN)
(73) Assignee: **GUANGZHOU KECHENG ELECTRONIC TECHNOLOGY CO., LTD.**, Guangzhou, Guangdong (CN)

(**) Term: **15 Years**
(21) Appl. No.: **29/647,602**
(22) Filed: **May 15, 2018**

(51) **LOC (12) Cl.** **26-06**
(52) **U.S. Cl.**
USPC **D26/28**
(58) **Field of Classification Search**
USPC D26/28-36, 139
CPC F21S 48/00; F21S 48/10; F21S 48/115;
F21S 48/225; F21S 48/1233; F21S
48/1266; F21S 48/1388; F21S 48/2268;
F21V 21/04; F21V 29/004

See application file for complete search history.

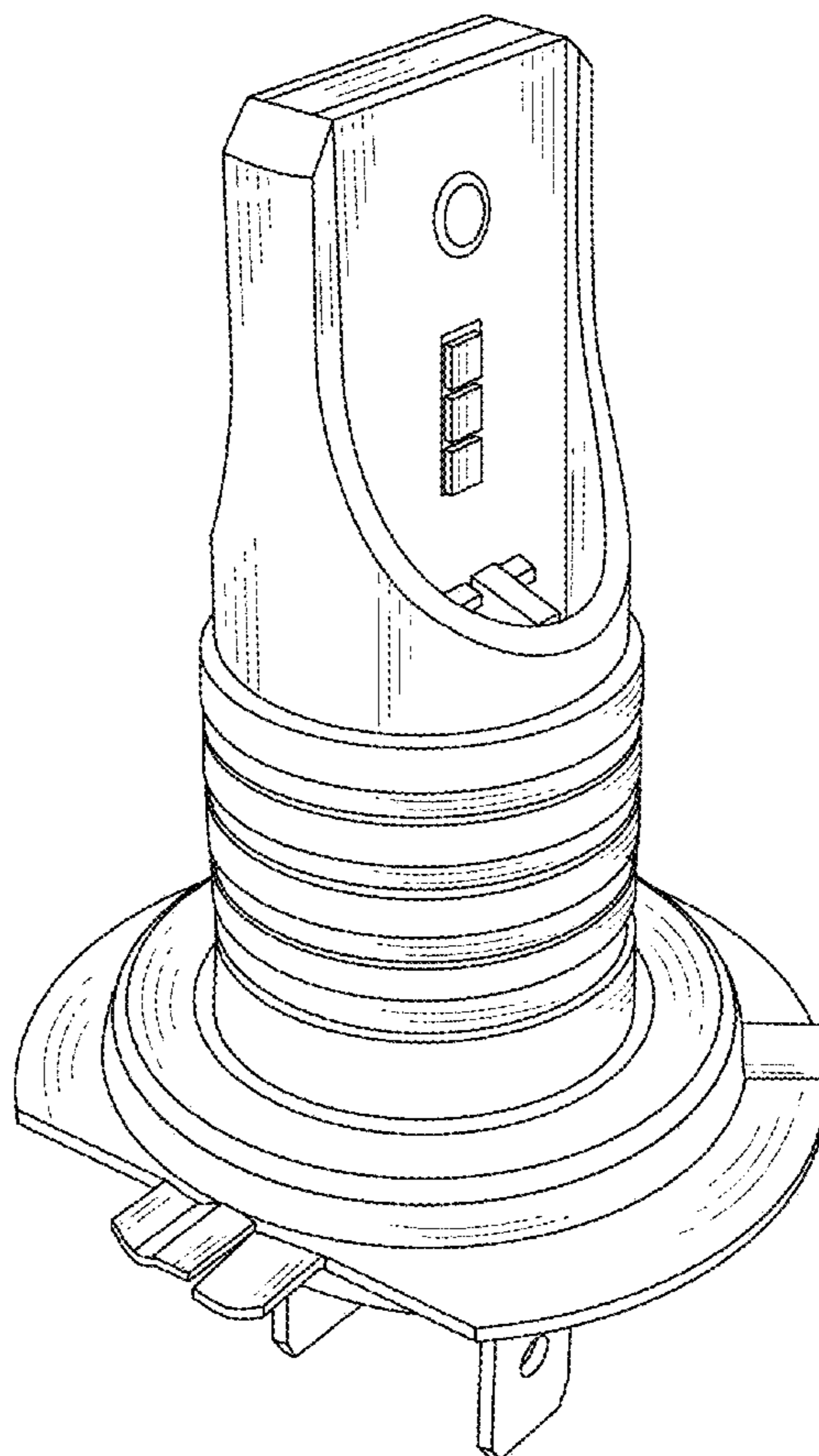
(56) **References Cited**
U.S. PATENT DOCUMENTS
D720,483 S * 12/2014 Saddig D26/28
D740,984 S * 10/2015 Chen D26/28
D769,487 S * 10/2016 Ma D26/28
D769,490 S * 10/2016 Ma D26/28
D777,961 S * 1/2017 Wu D26/28
D846,775 S * 4/2019 Yan D26/28

* cited by examiner
Primary Examiner — Marcus A Jackson

(57) **CLAIM**
The ornamental design for a light module for a car headlight, as shown and described.

DESCRIPTION
FIG. 1 is a perspective view of a light module for a car headlight showing my new design; FIG. 2 is a front elevational view thereof; FIG. 3 is a rear elevational view thereof; FIG. 4 is a left side elevational view thereof; FIG. 5 is a right side elevational view thereof; FIG. 6 is a top plan view thereof; and, FIG. 7 is a bottom plan view thereof.

1 Claim, 7 Drawing Sheets



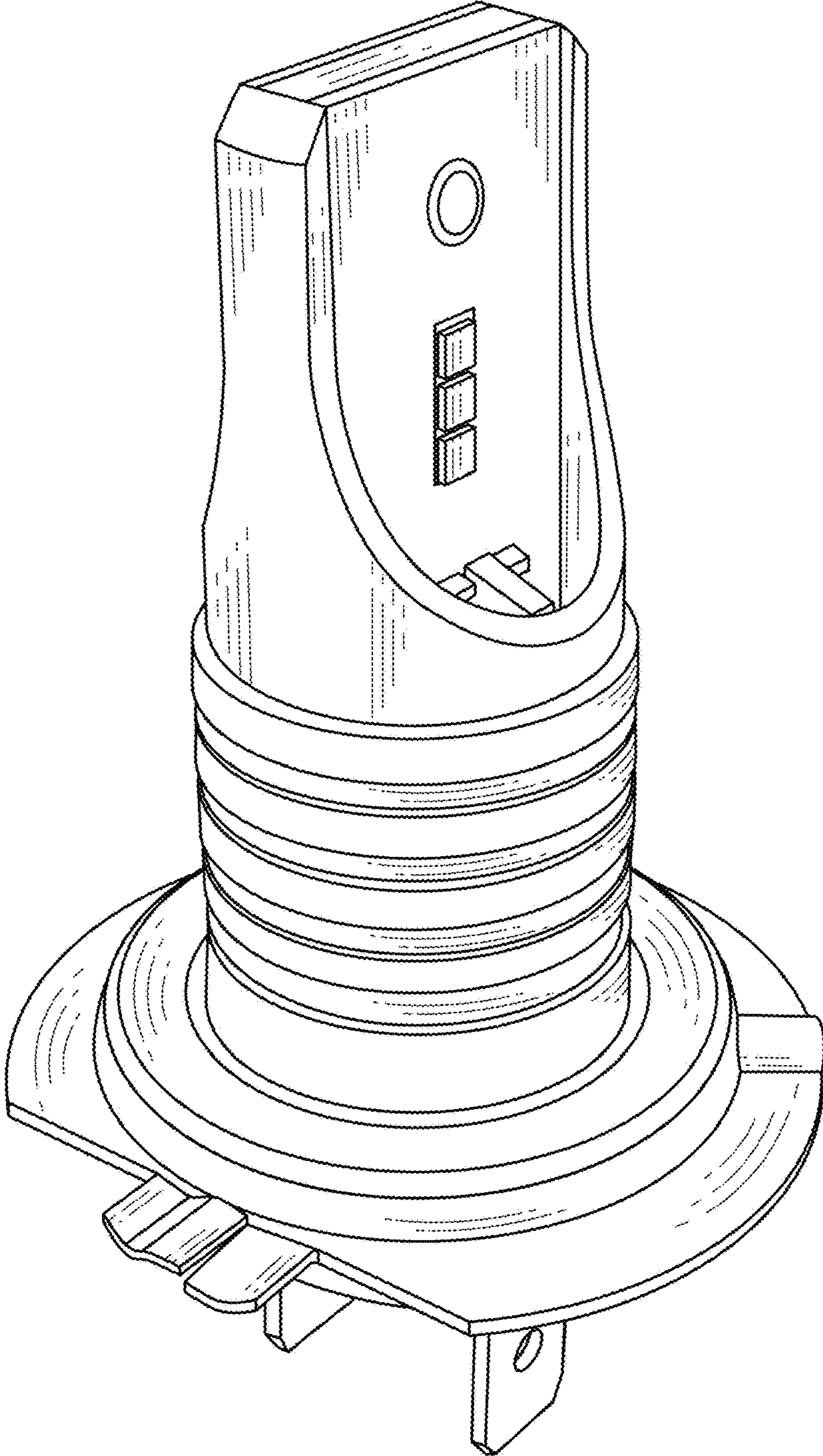


FIG. 1

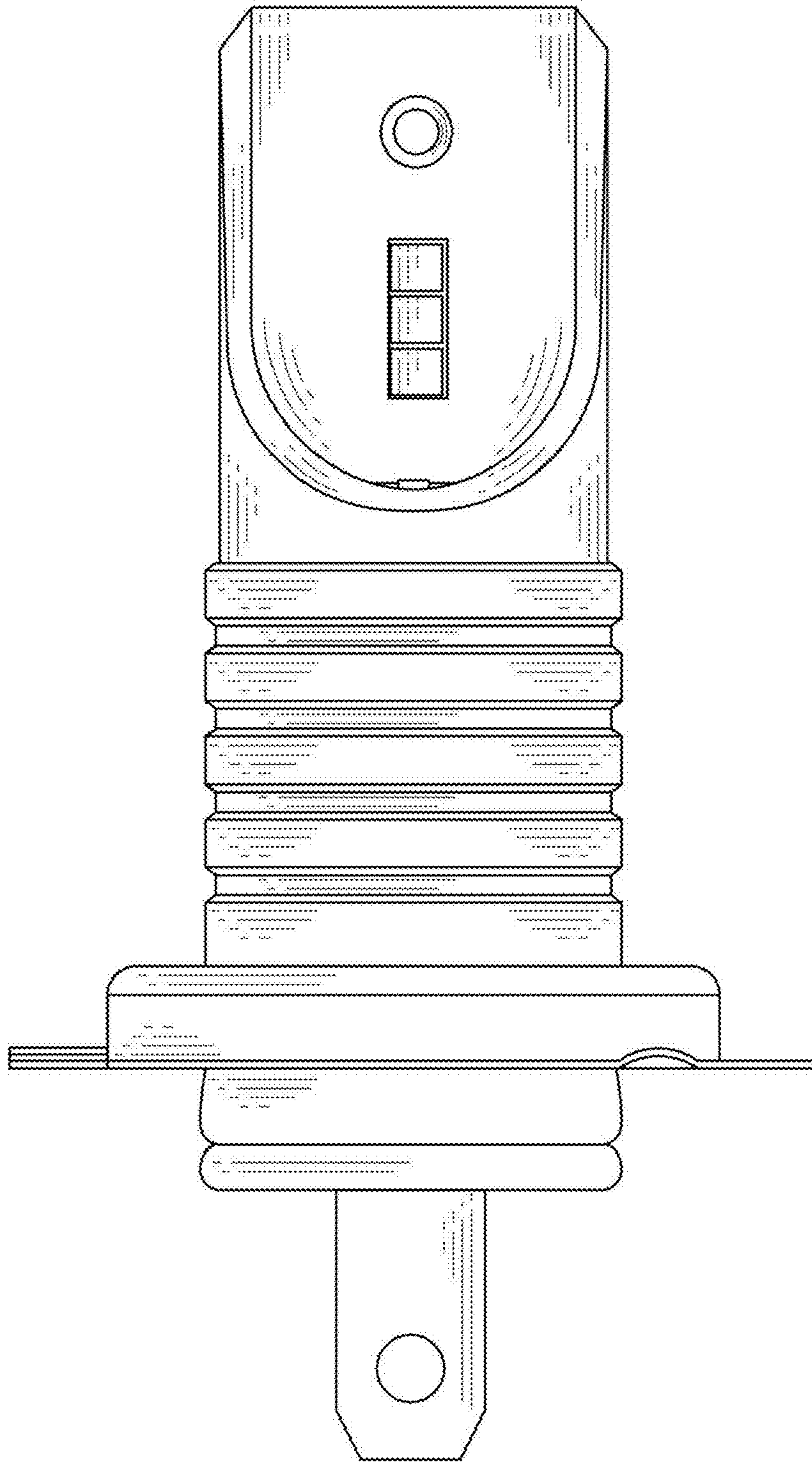


FIG. 2

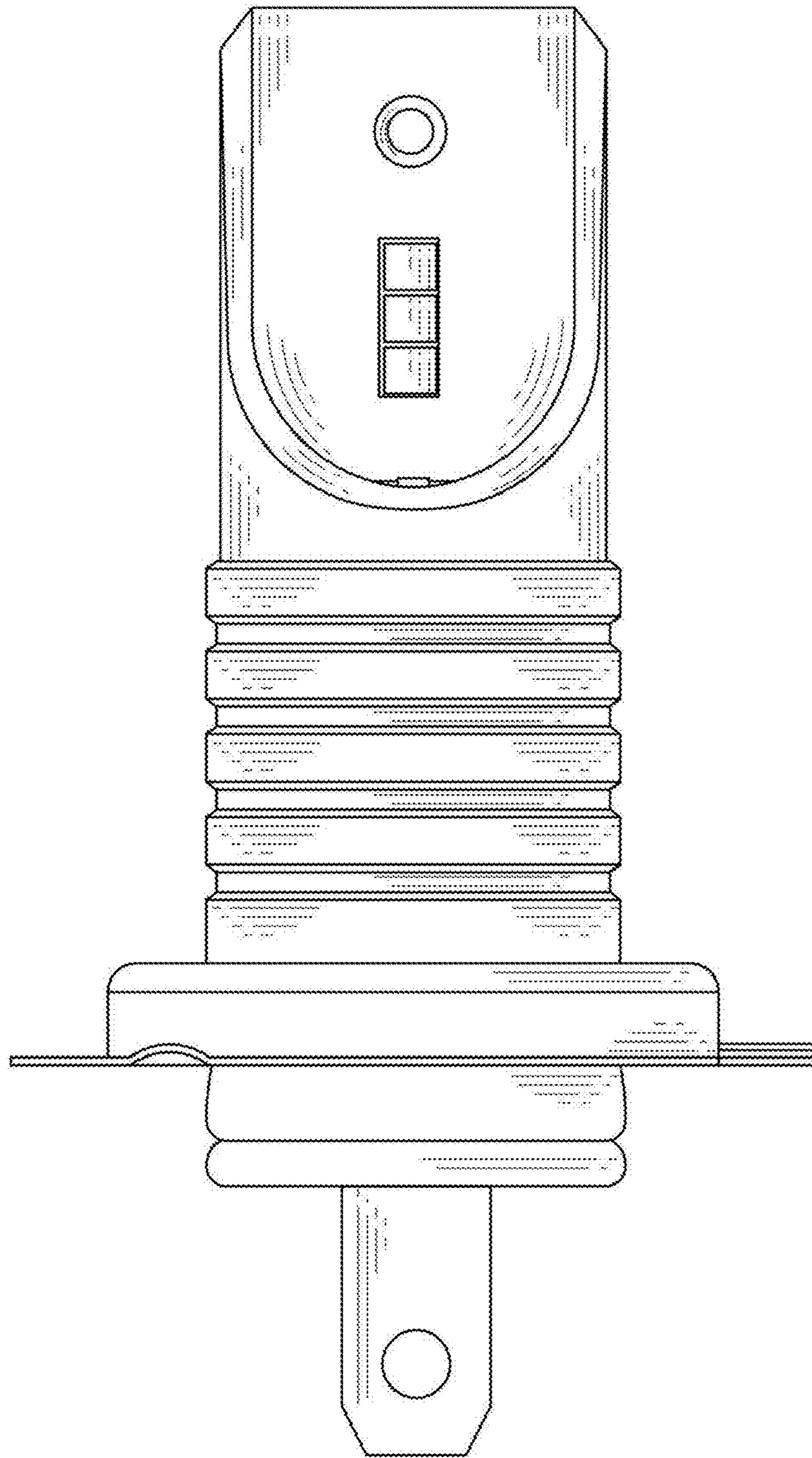


FIG. 3

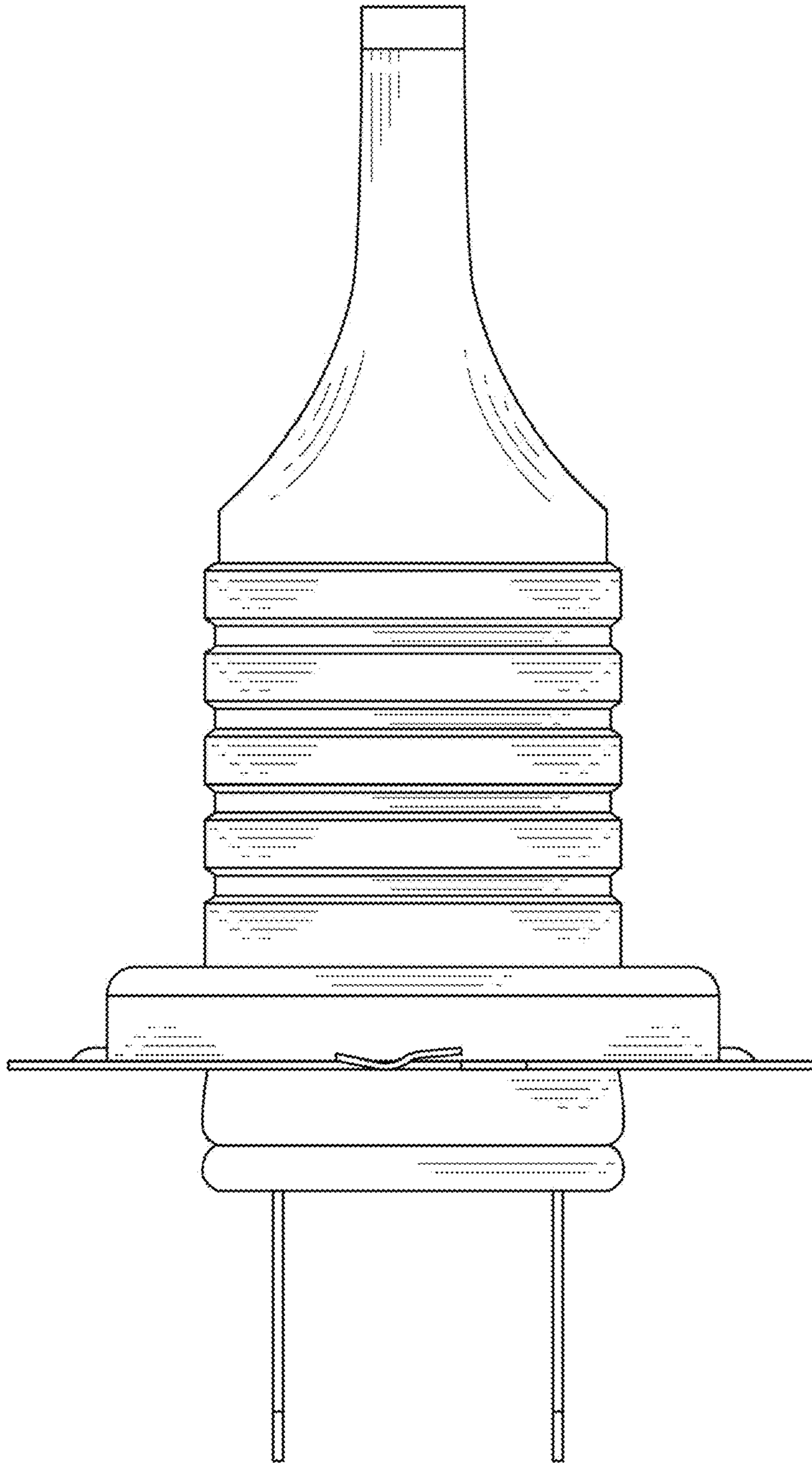


FIG. 4

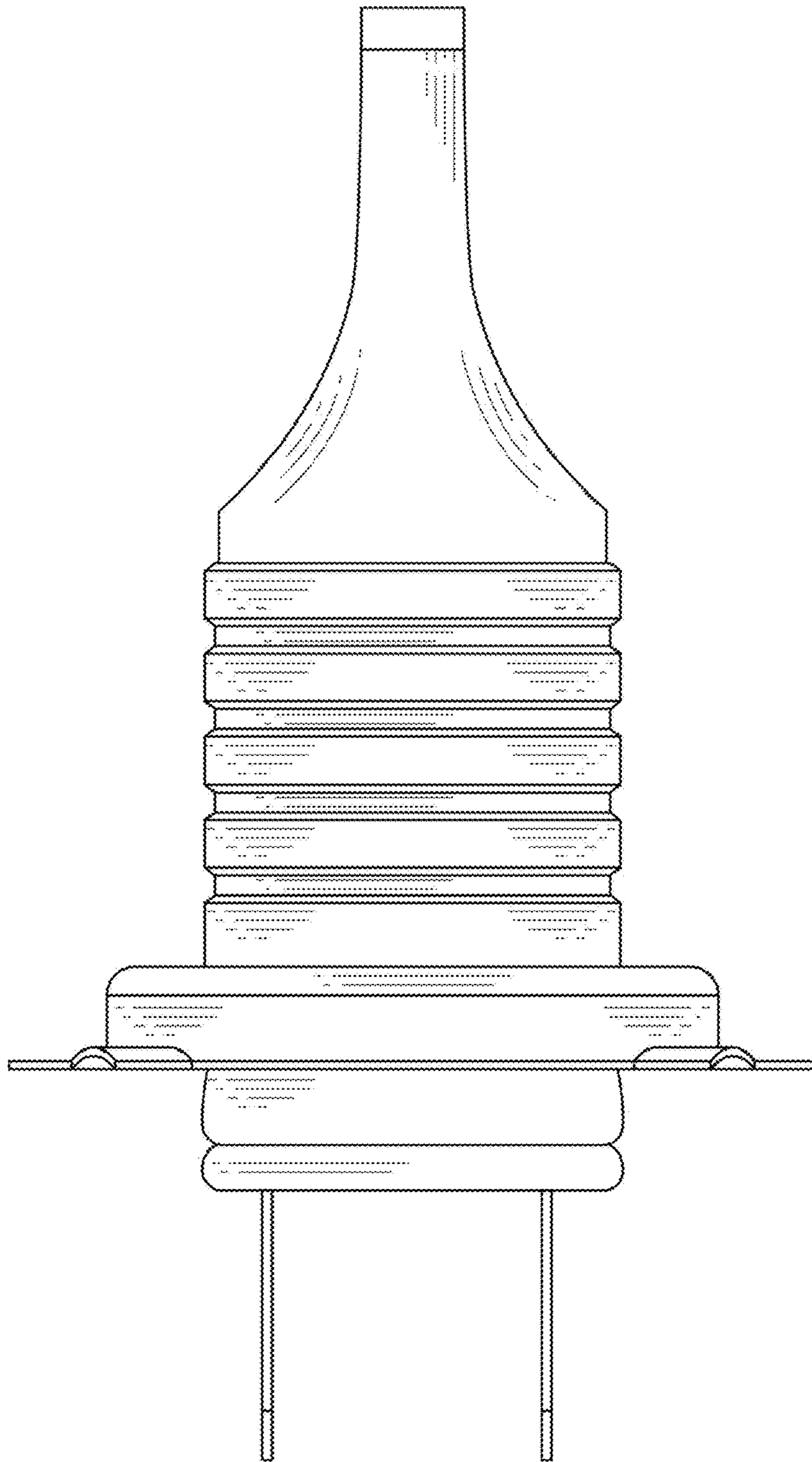


FIG. 5

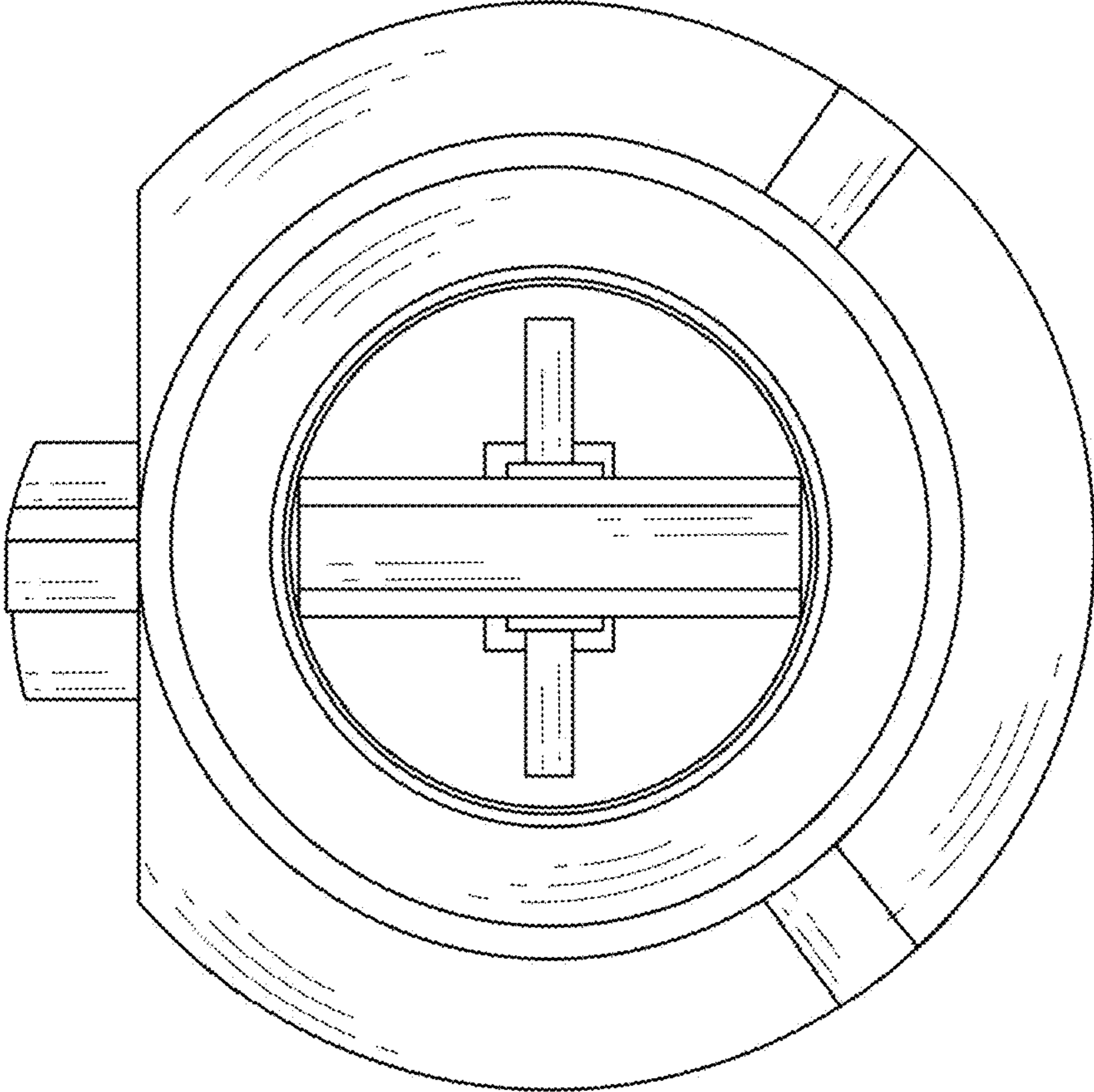


FIG. 6

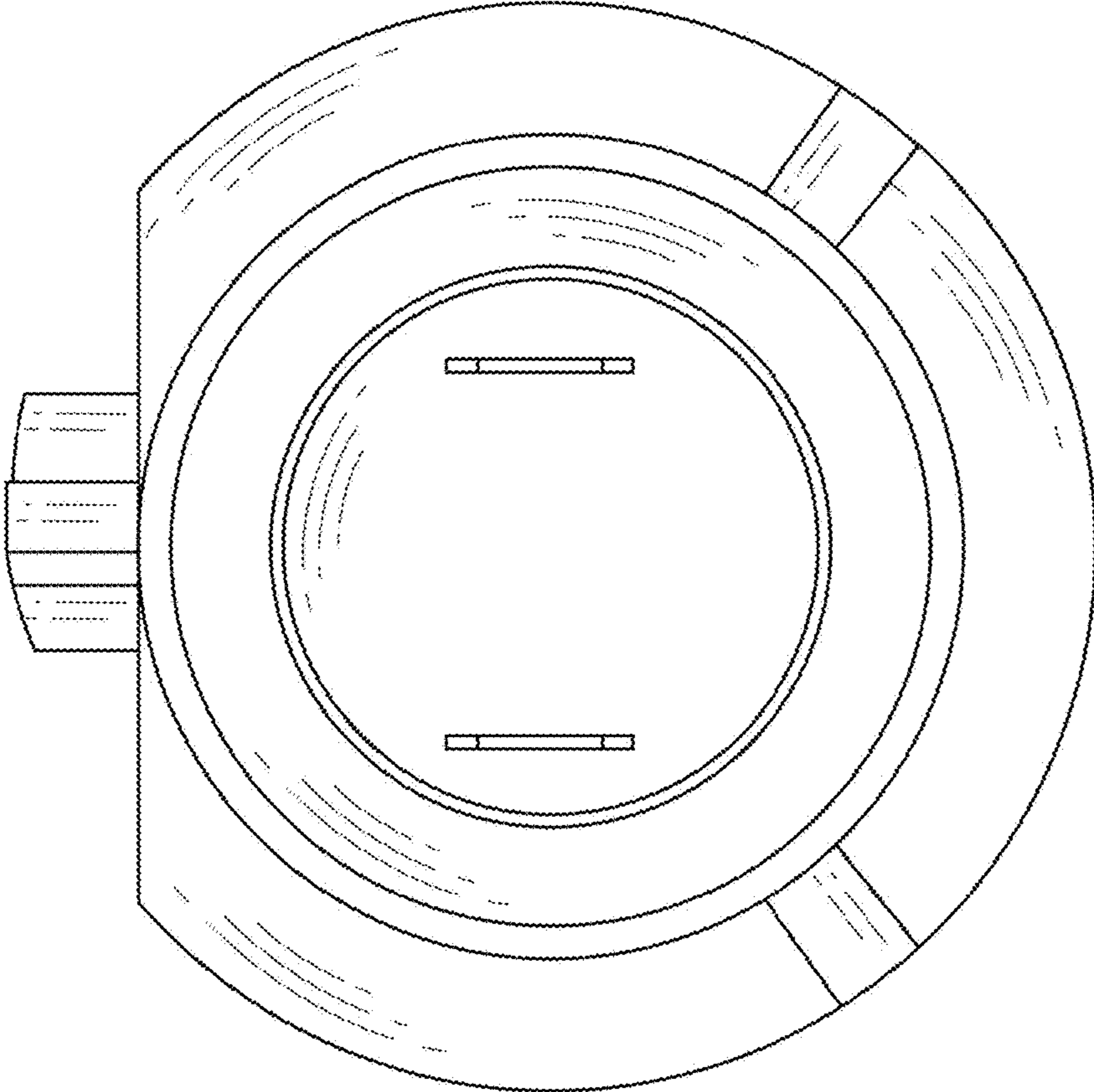


FIG. 7