

US00D865237S

(12) **United States Design Patent** (10) **Patent No.:** **US D865,237 S**
Wu (45) **Date of Patent:** **** Oct. 29, 2019**

(54) **VEHICLE LIGHT PART**
(71) Applicant: **COPLUS INC.**, Tainan (TW)
(72) Inventor: **Po-Hua Wu**, Tainan (TW)
(73) Assignee: **Coplus Inc.**, Tainan (TW)
(**) Term: **15 Years**

D767,182 S * 9/2016 Lai D26/28
D787,719 S * 5/2017 Lai D26/28
D787,720 S * 5/2017 Lai D26/28
D787,721 S * 5/2017 Lai D26/28
D787,722 S * 5/2017 Lai D26/28
D802,808 S * 11/2017 Haeussinger D26/28
D812,791 S * 3/2018 Wu D26/28
D819,854 S * 6/2018 Lai D26/28
D820,482 S * 6/2018 Huang D26/28

(Continued)

(21) Appl. No.: **29/626,973**
(22) Filed: **Nov. 21, 2017**

(30) **Foreign Application Priority Data**

May 26, 2017 (TW) 106302867

(51) **LOC (12) Cl.** **26-06**
(52) **U.S. Cl.**
USPC **D26/28**

(58) **Field of Classification Search**
USPC D12/86, 90-92, 114, 163, 169, 171-173,
D12/181, 190, 196, 197, 199, 400;
D17/1, 222; D26/28-36
CPC .. B62J 6/02; B62J 6/00; B60Q 3/0279; B60Q
3/104; B60Q 3/10408; B60Q 3/10466;
B60Q 3/12653; B60Q 3/128; F21S 48/00;
F21S 48/10; F21S 48/115; F21S 48/225;
F21S 48/1233; F21S 48/1266; F21S
48/1388; F21S 48/2268; F21V 21/04
See application file for complete search history.

(56) **References Cited**

U.S. PATENT DOCUMENTS

6,511,215 B2 * 1/2003 Hashigaya B60Q 1/0041
362/460
D590,527 S * 4/2009 Pfeiffer D26/28
D593,231 S * 5/2009 Koman D26/28
D607,588 S * 1/2010 Woolley D26/28
D686,774 S * 7/2013 McCabe D26/139
D710,522 S * 8/2014 Kwon D26/28
D715,978 S * 10/2014 Loeb D26/28
D767,179 S * 9/2016 Lai D26/28
D767,181 S * 9/2016 Lai D26/28

OTHER PUBLICATIONS

LMR | LRS-MST10G, first reviewed on Jun. 11, 2018, © 2019 LMR.com [online], [site visited Jun. 17, 2019]. Available from Internet, <URL: https://lmr.com/item/LRS-MST10G/10-12-mustang-s550-style-headlight-kit-gloss-black?gclid=Cj0KCQjw9JzoBRDjARIsAGcdIDVbDRqX8hFjhMa7O1A4R_FqIn11X-g38F4lobV4ScjD6RZKwt_AZGoaAqYOEALw_wcB/>>.*

Primary Examiner — Philip S Hyder
Assistant Examiner — Cary M Robinson
(74) *Attorney, Agent, or Firm* — Lewis Roca Rothgerber Christie LLP

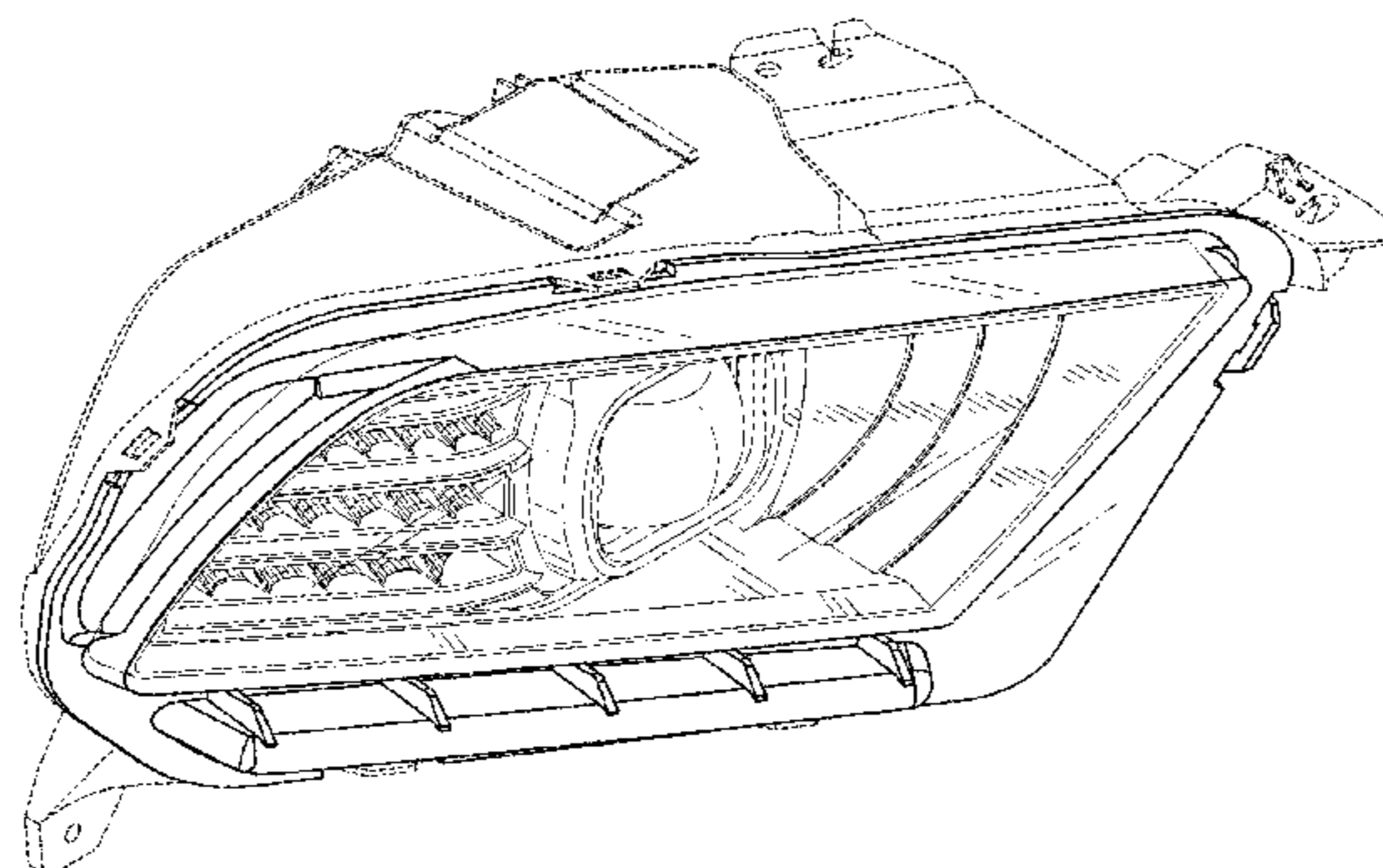
(57) **CLAIM**

The ornamental design for a vehicle light part, as shown and described.

DESCRIPTION

FIG. 1 is a perspective representative view of a vehicle light part;
FIG. 2 is a front side view thereof;
FIG. 3 is a rear side view thereof;
FIG. 4 is a left side view thereof;
FIG. 5 is a right side view thereof;
FIG. 6 is a top side view thereof; and,
FIG. 7 is a bottom side view.
The broken lines in the drawings illustrate portions of the vehicle light part in which the design is embodied and form no part of the claimed design.

1 Claim, 6 Drawing Sheets



(56)

References Cited

U.S. PATENT DOCUMENTS

D837,423 S * 1/2019 Wu D26/28
D849,291 S * 5/2019 Wu D26/28

* cited by examiner

FIG. 1

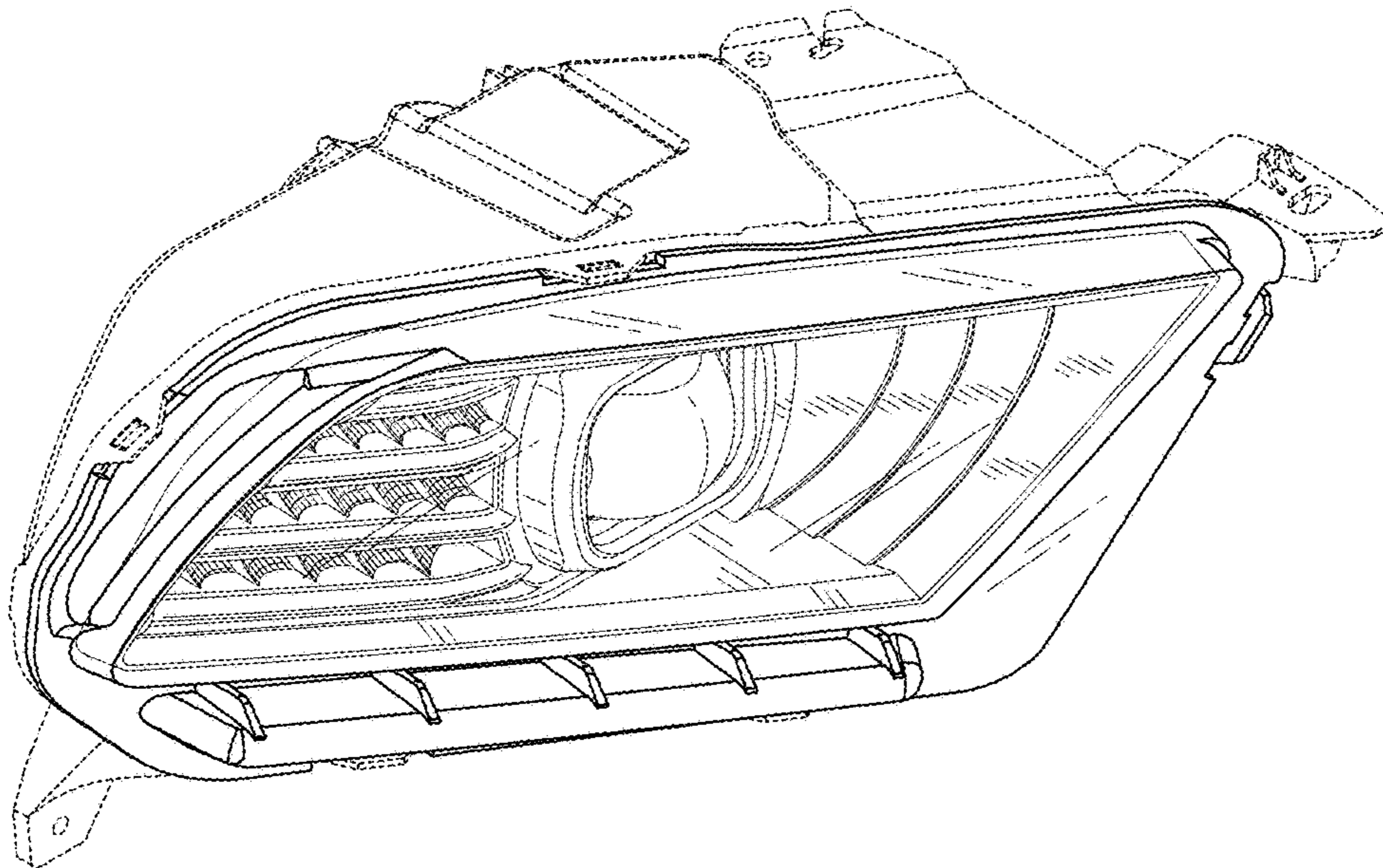


FIG. 2

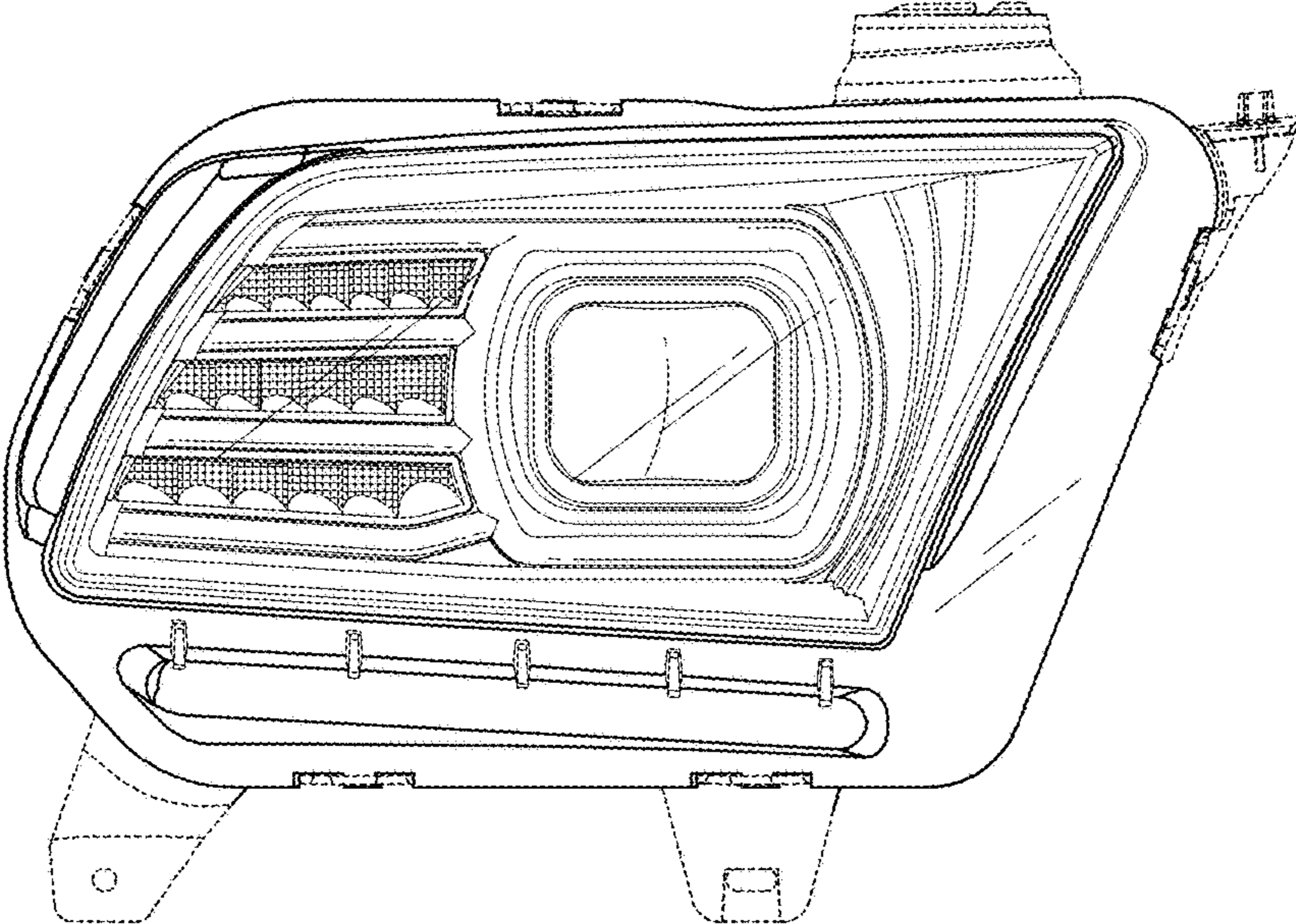
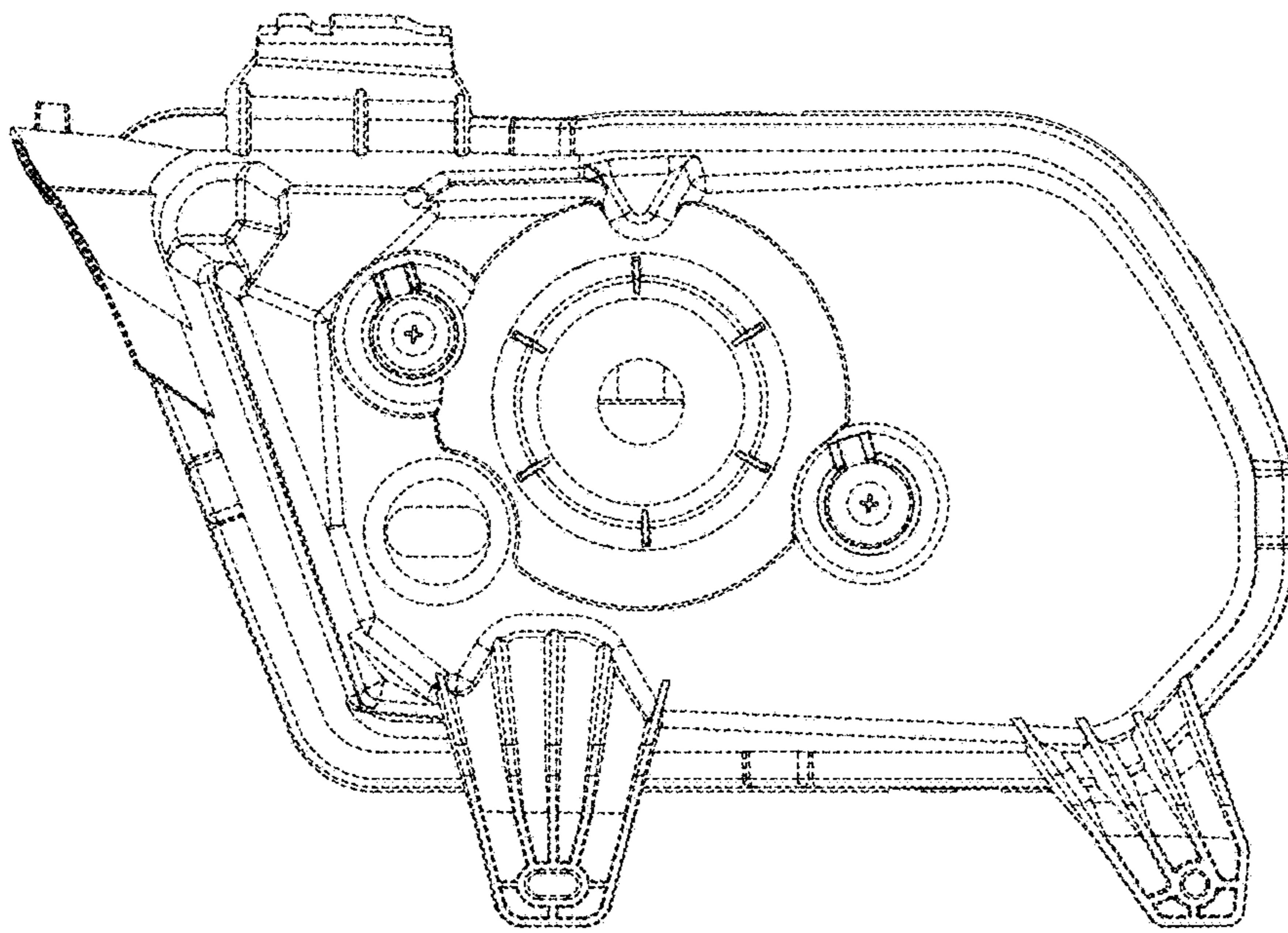


FIG. 3



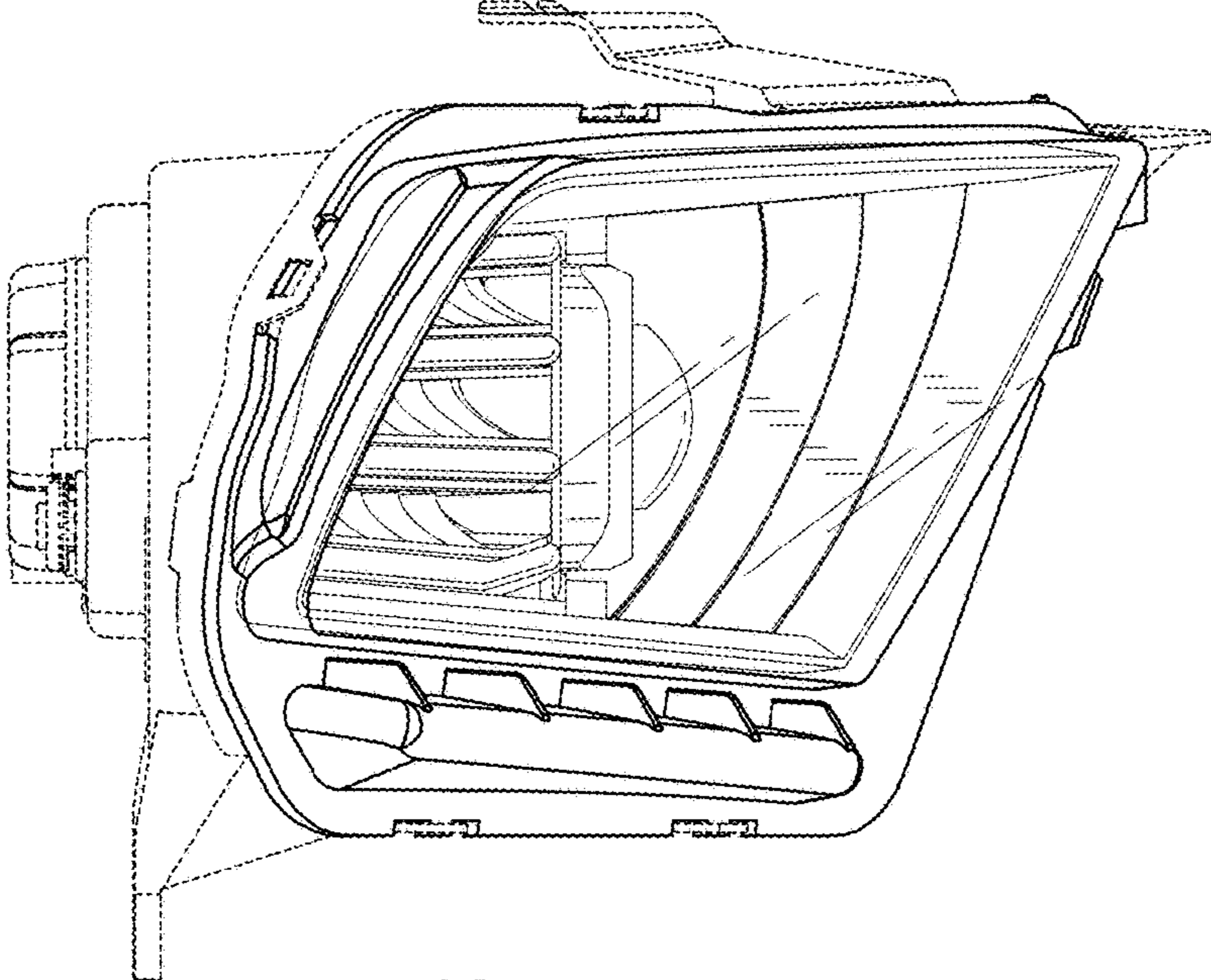


FIG. 4

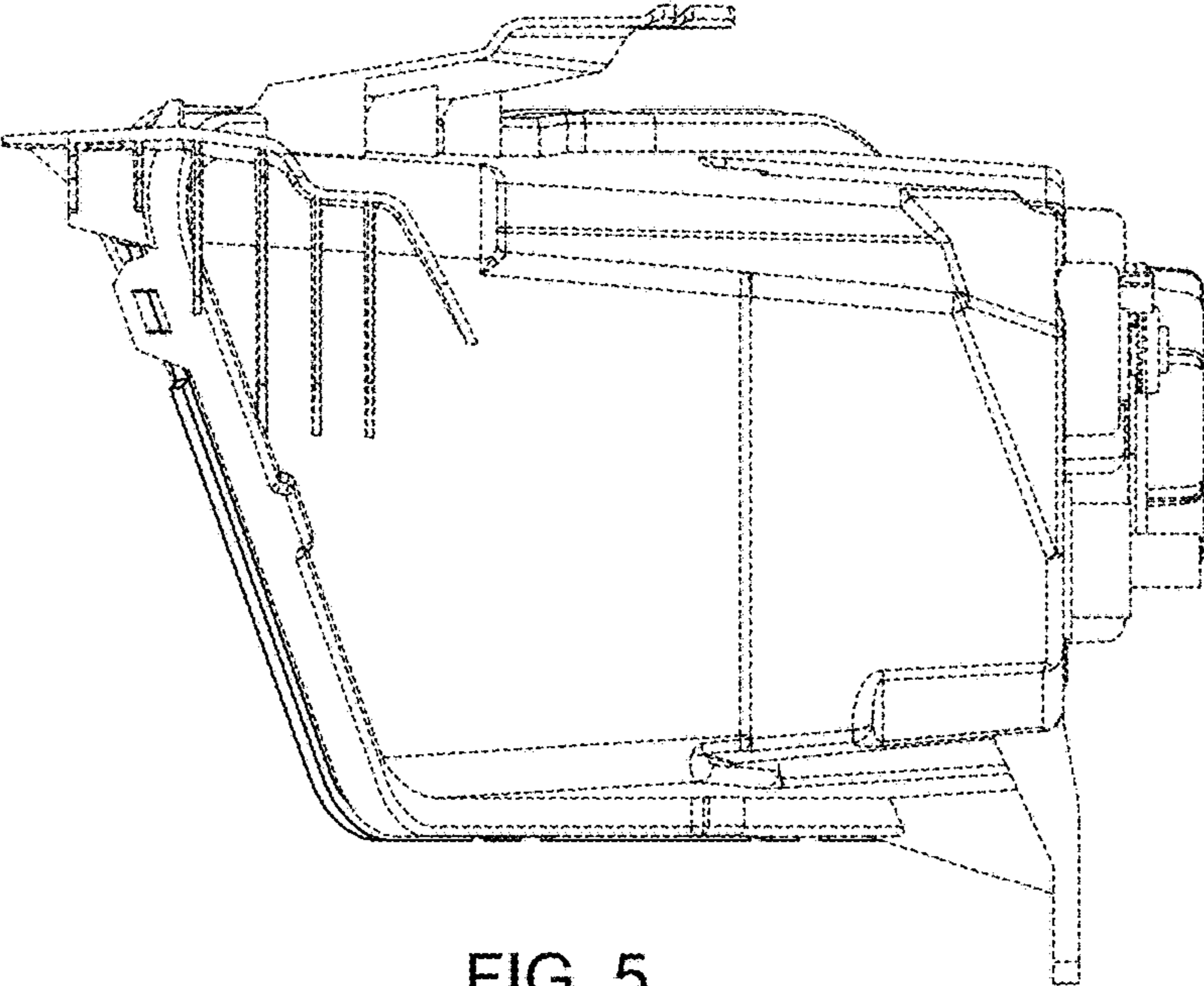


FIG. 5

FIG. 6

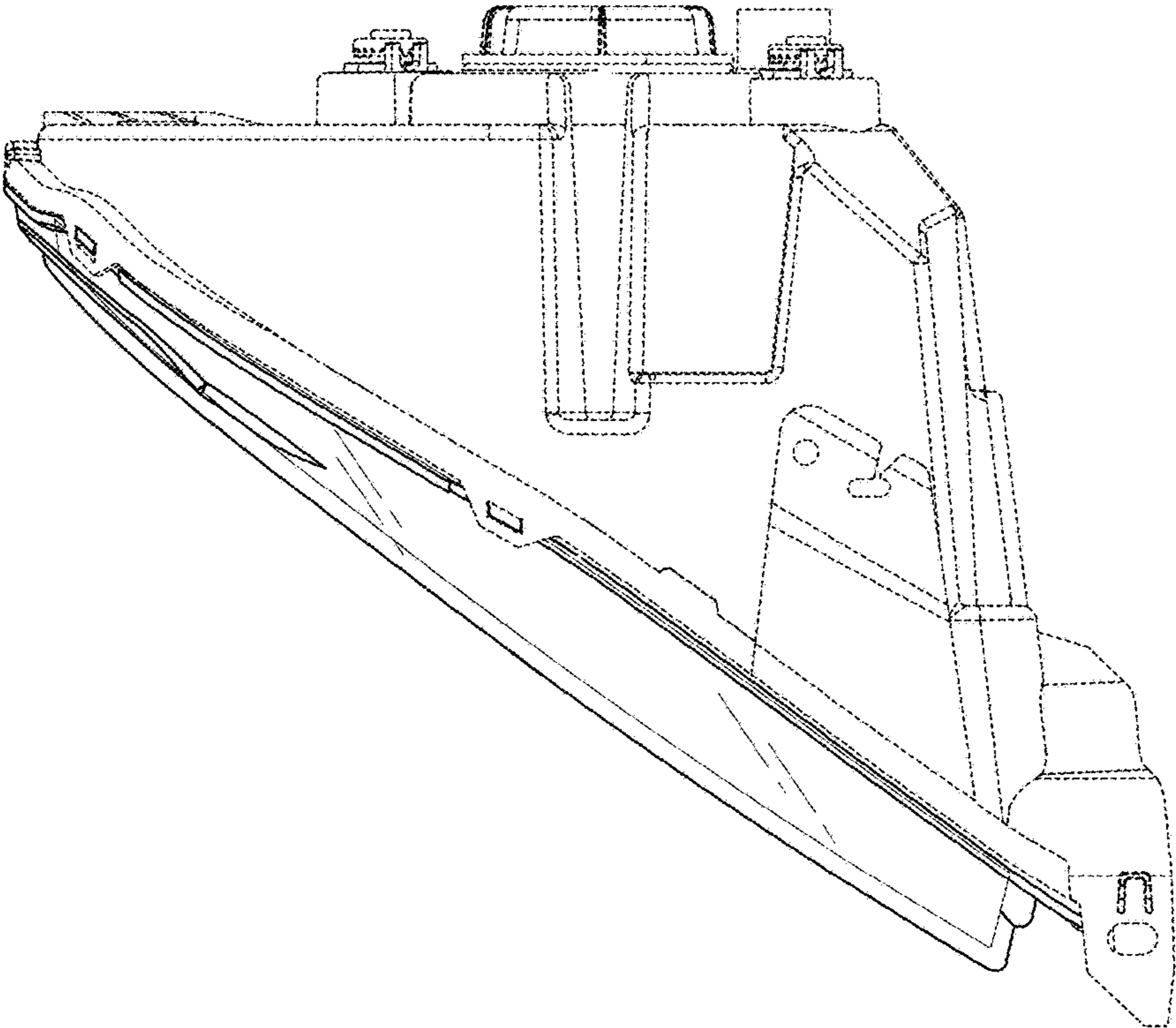


FIG. 7

