



US00D865236S

(12) **United States Design Patent**
Lucas et al.

(10) **Patent No.:** **US D865,236 S**
(45) **Date of Patent:** **** Oct. 29, 2019**

- (54) **VEHICLE FRONT TURN LAMP**
- (71) Applicant: **Ford Global Technologies, LLC**,
Dearborn, MI (US)
- (72) Inventors: **Earl C. Lucas**, Southfield, MI (US);
Keith Rogman, Fenton, MI (US);
David Woodhouse, Troy, MI (US);
Solomon Song, Farmington Hills, MI
(US); **Viet Nguyen**, Madison Heights,
MI (US)
- (73) Assignee: **Ford Global Technologies, LLC**,
Dearborn, MI (US)
- (**) Term: **15 Years**
- (21) Appl. No.: **29/624,502**
- (22) Filed: **Nov. 1, 2017**
- (51) **LOC (12) Cl.** **26-06**
- (52) **U.S. Cl.**
USPC **D26/28**
- (58) **Field of Classification Search**
USPC D12/86, 90-92, 114, 163, 169, 171-173,
D12/181, 190, 196, 197, 199, 400;
D17/1, 222; D26/28-36
CPC .. B62J 6/02; B62J 6/00; B60Q 3/0279; B60Q
3/104; B60Q 3/10408; B60Q 3/10466;
B60Q 3/12653; B60Q 3/128; F21S 48/00;
F21S 48/10; F21S 48/115; F21S 48/225;
F21S 48/1233; F21S 48/1266; F21S
48/1388; F21S 48/2268; F21V 21/04
See application file for complete search history.

(56) **References Cited**

U.S. PATENT DOCUMENTS

- D243,273 S * 2/1977 Braucht D26/35
- D469,894 S * 2/2003 Hsu D26/28
- D531,330 S * 10/2006 Takabatake D26/28

- D596,768 S * 7/2009 Shimizugami D26/28
- D636,103 S * 4/2011 Iuchi D26/28
- D653,783 S * 2/2012 Biro D26/31
- 8,888,306 B2 * 11/2014 Thomas F21V 15/013
362/92
- D727,548 S * 4/2015 Ito D26/28
- D729,677 S * 5/2015 Aho D10/114.4
- D747,016 S * 1/2016 George D26/28
- D759,278 S * 6/2016 Kim D26/31
- D762,889 S * 8/2016 Luke D26/28
- D772,454 S * 11/2016 Ma D26/31
- D775,751 S * 1/2017 Jones, Jr. D26/28
- D776,314 S * 1/2017 Aho D10/114.4
- D779,985 S * 2/2017 Deyaf D10/114.4
- D780,961 S * 3/2017 Curic D26/28
- D781,474 S * 3/2017 Graham D26/31
- D782,090 S * 3/2017 Graham D26/31
- D787,725 S * 5/2017 Hong D26/28
- D802,183 S * 11/2017 Leutiger D26/28

(Continued)

Primary Examiner — Philip S Hyder
Assistant Examiner — Cary M Robinson
(74) *Attorney, Agent, or Firm* — LeClairRyan

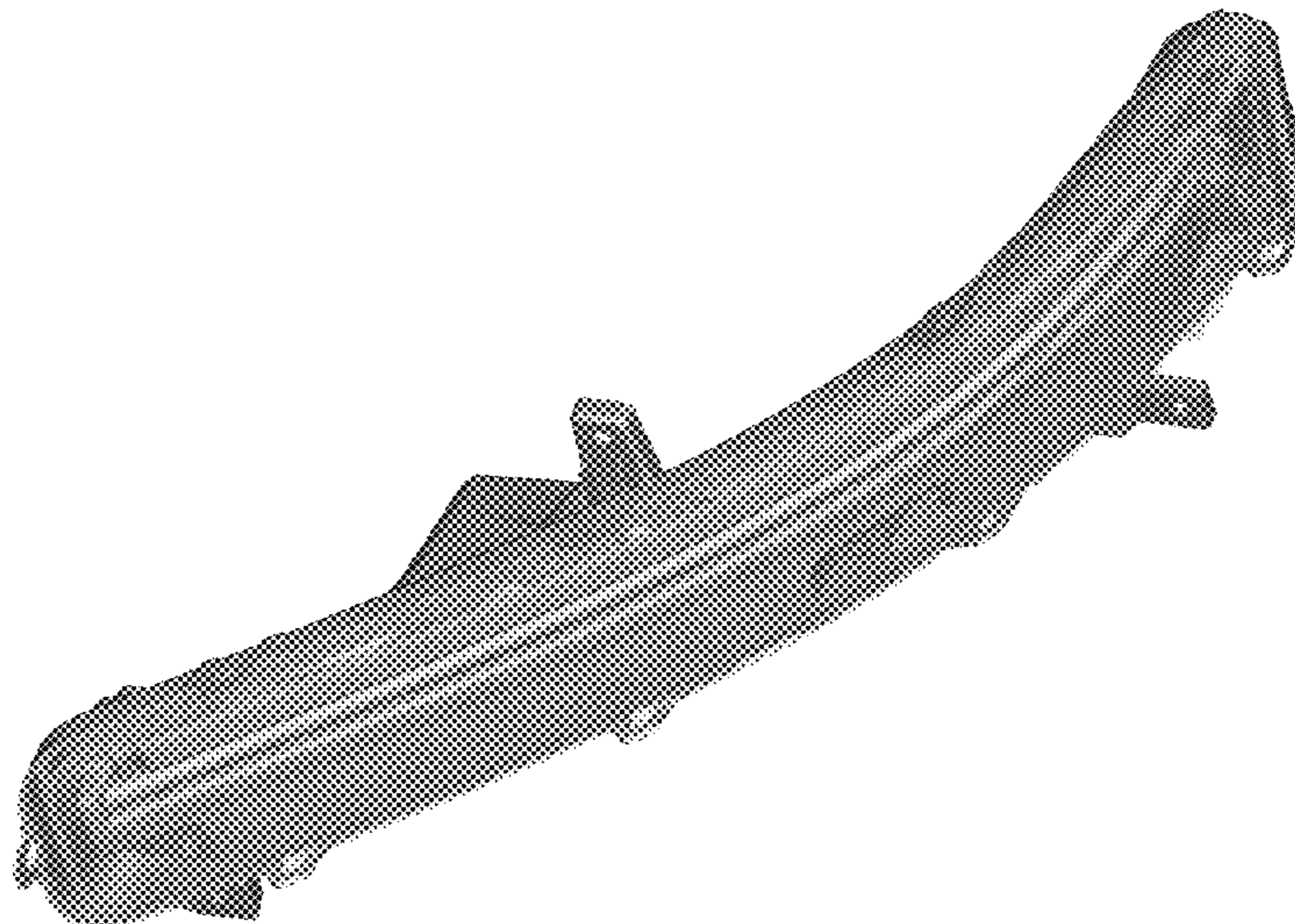
(57) **CLAIM**

The ornamental design for a vehicle front turn lamp, as shown and described.

DESCRIPTION

FIG. 1 is a top, front, and left side perspective view a left vehicle front turn lamp, showing our new design;
FIG. 2 is a bottom, front, and left side perspective view thereof;
FIG. 3 is a top, rear, and left side perspective view thereof;
FIG. 4 is a front elevational view thereof;
FIG. 5 is a rear elevational view thereof;
FIG. 6 is a left side elevational view thereof;
FIG. 7 is a right side elevational view thereof;
FIG. 8 is a top plan view thereof; and,
FIG. 9 is a bottom plan view thereof.

1 Claim, 9 Drawing Sheets



(56)

References Cited

U.S. PATENT DOCUMENTS

D808,059 S *	1/2018	Li	D26/76
D809,168 S *	1/2018	Kennemer	D26/28
D837,422 S *	1/2019	Yamashita	D26/28
2011/0176297 A1 *	7/2011	Hsia	F21V 25/04
			362/217.1
2016/0258598 A1 *	9/2016	Adams	F21S 45/49

* cited by examiner

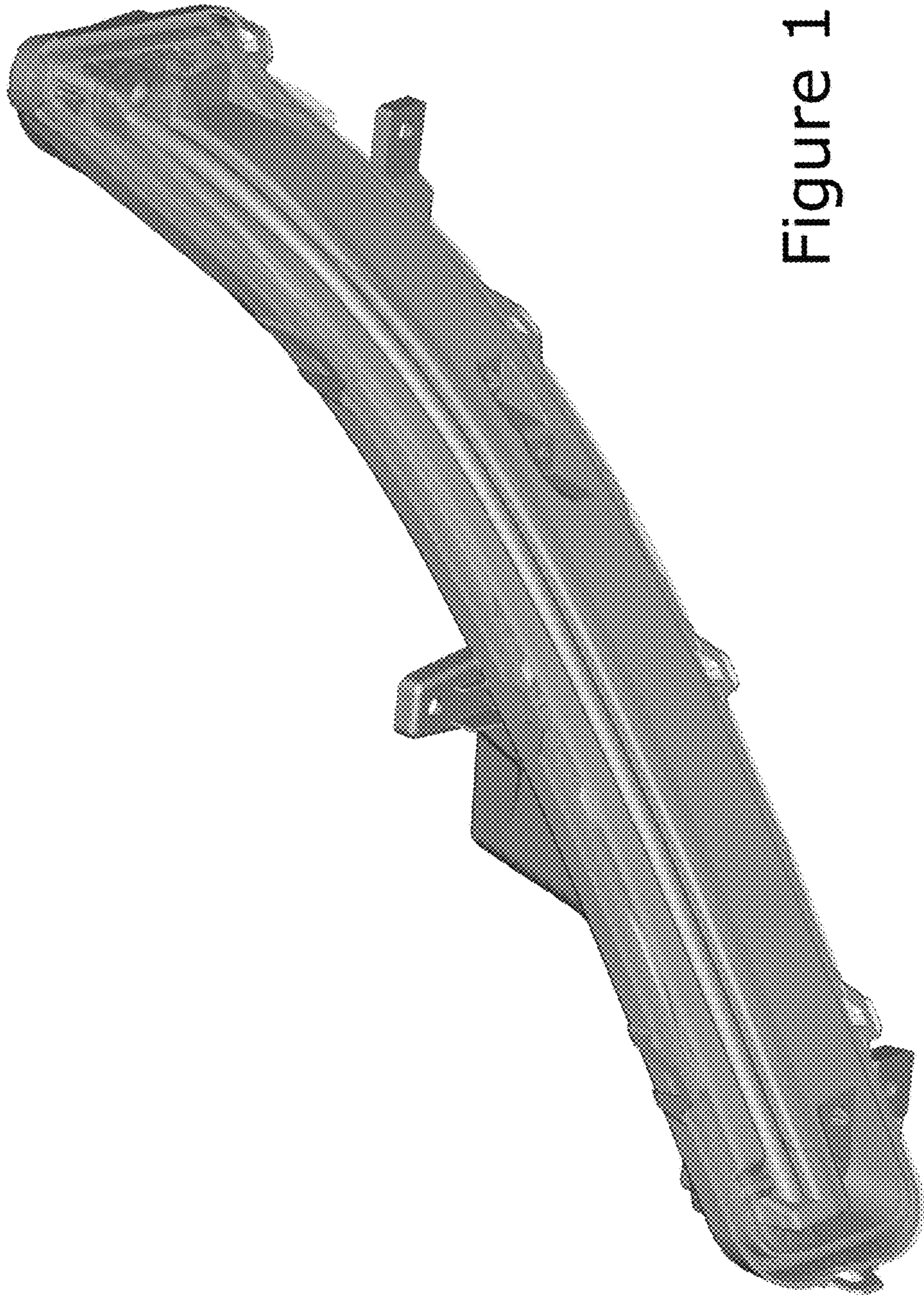


Figure 1

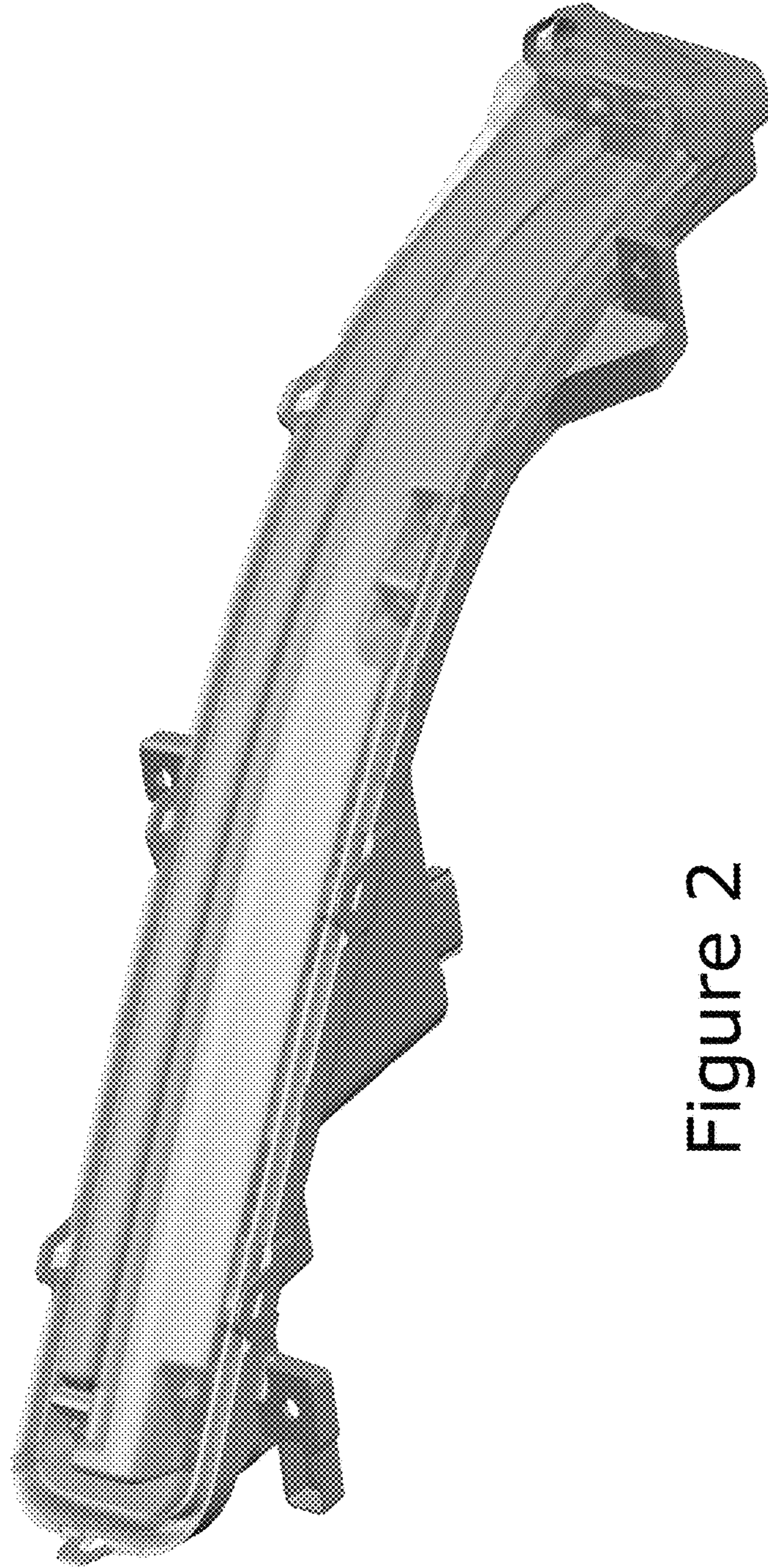


Figure 2

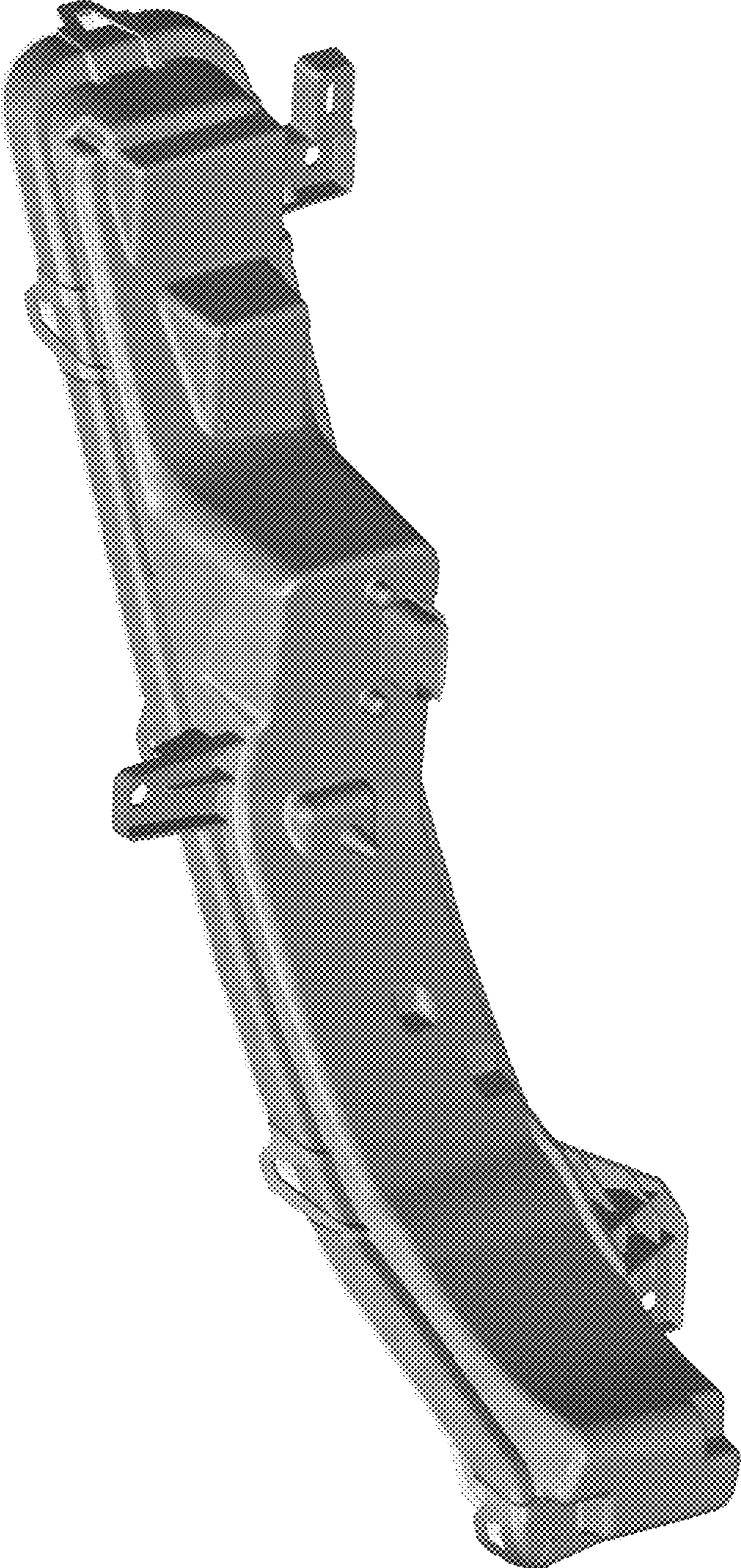


Figure 3

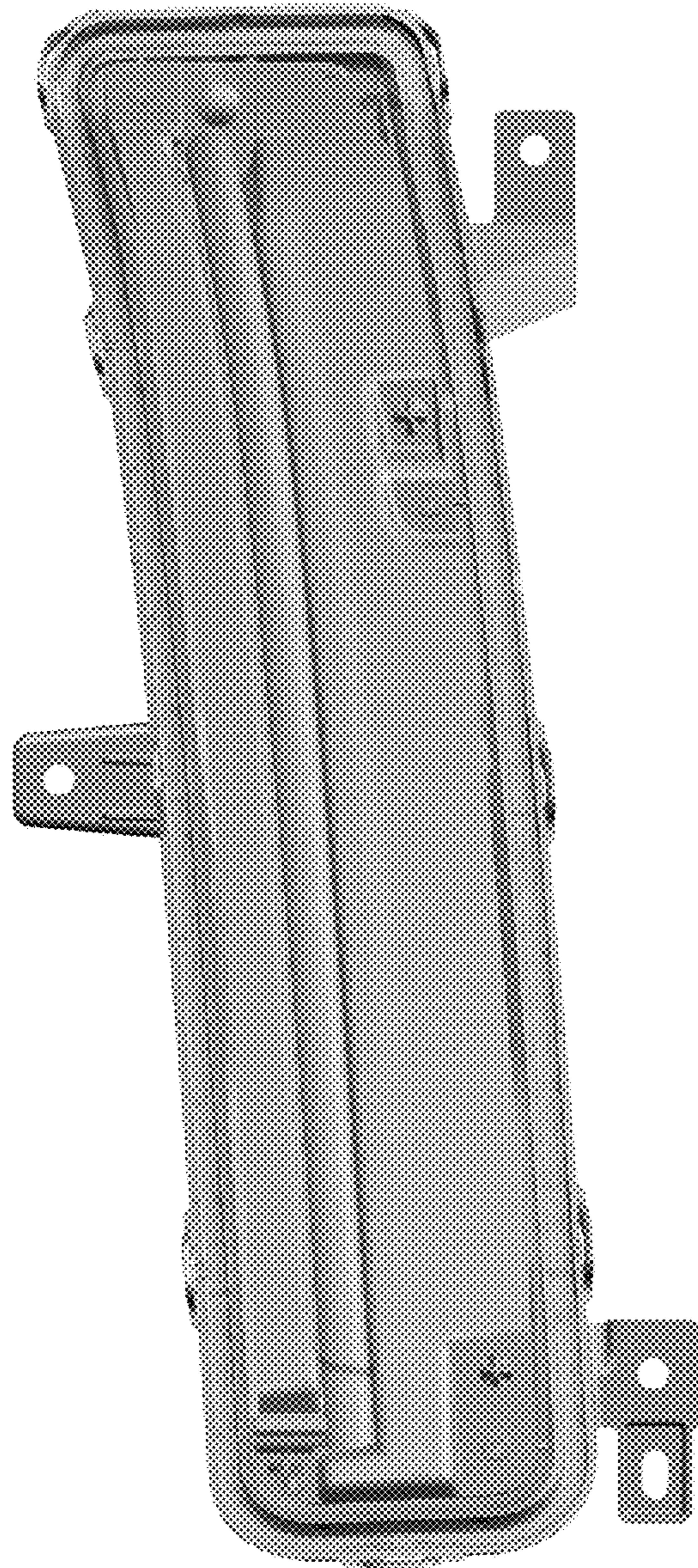


Figure 4

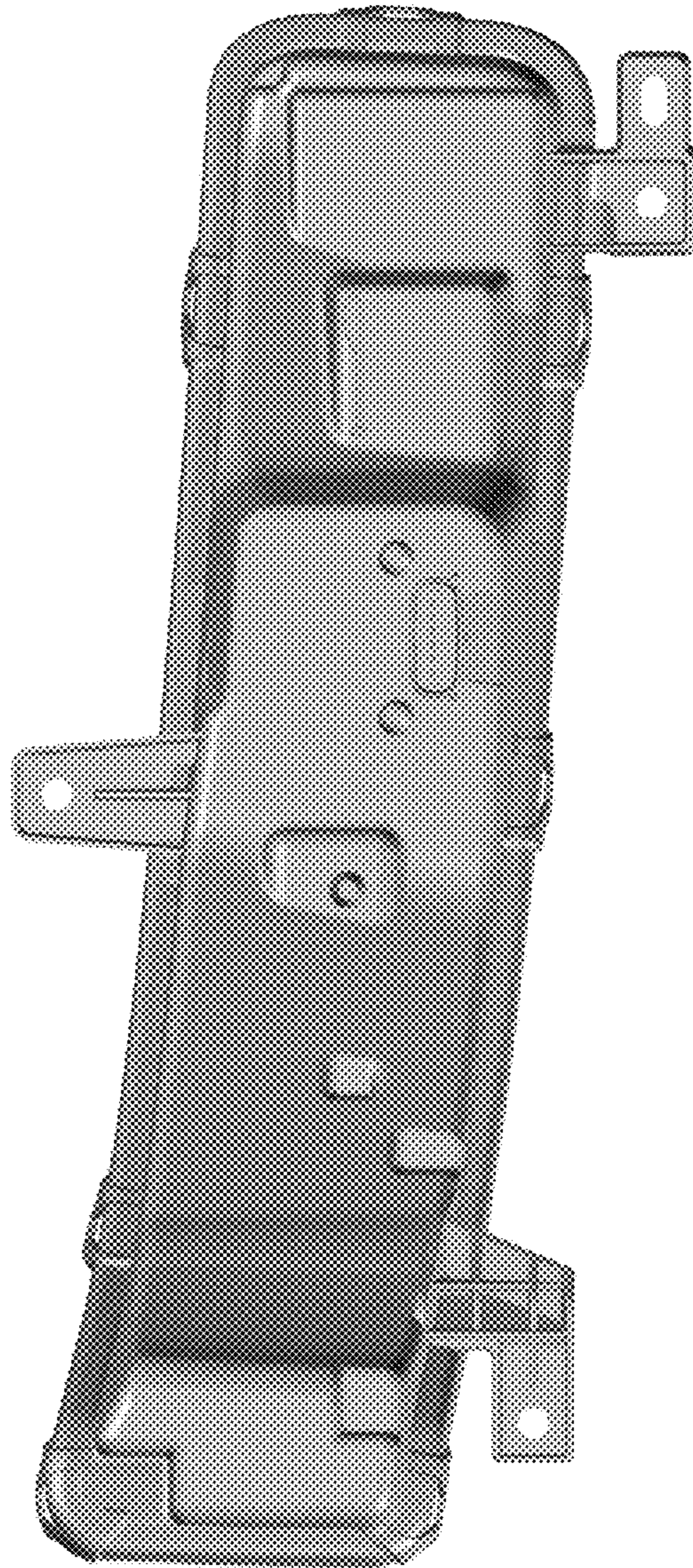


Figure 5

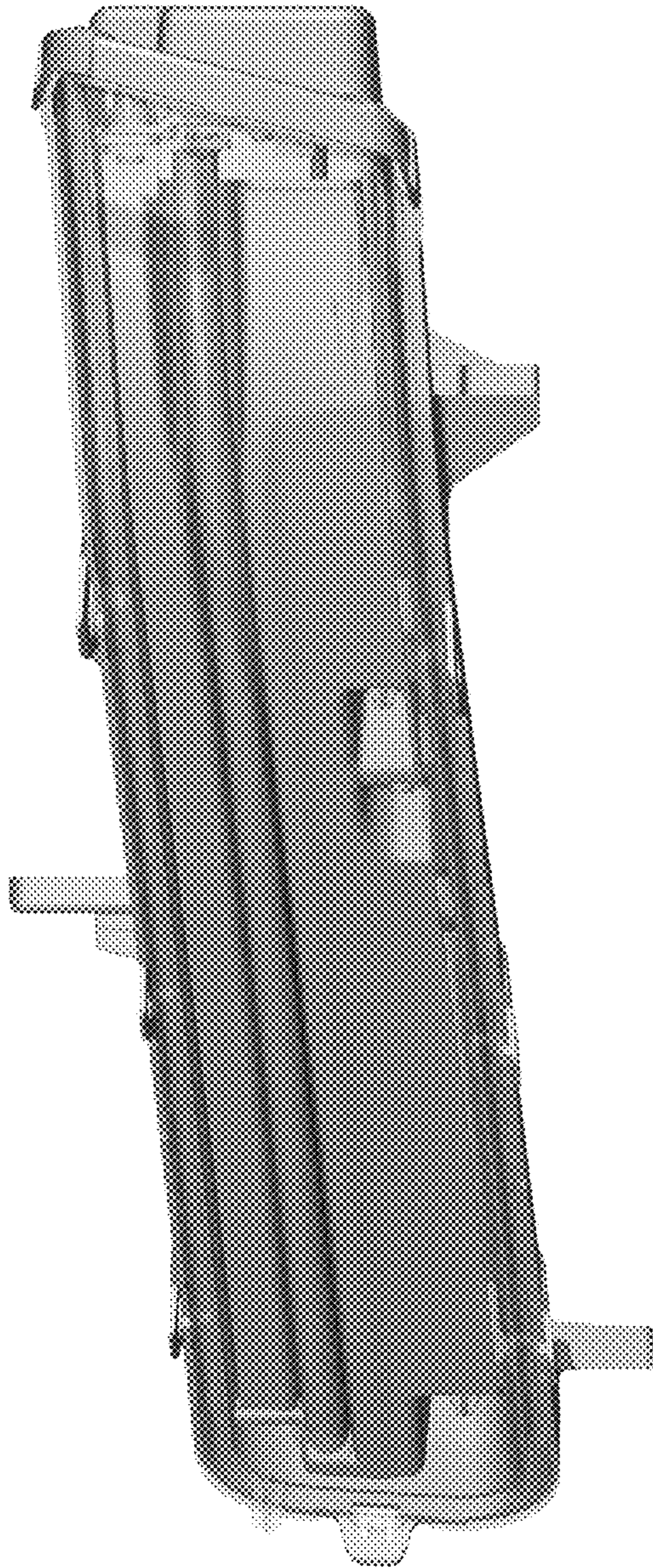


Figure 6

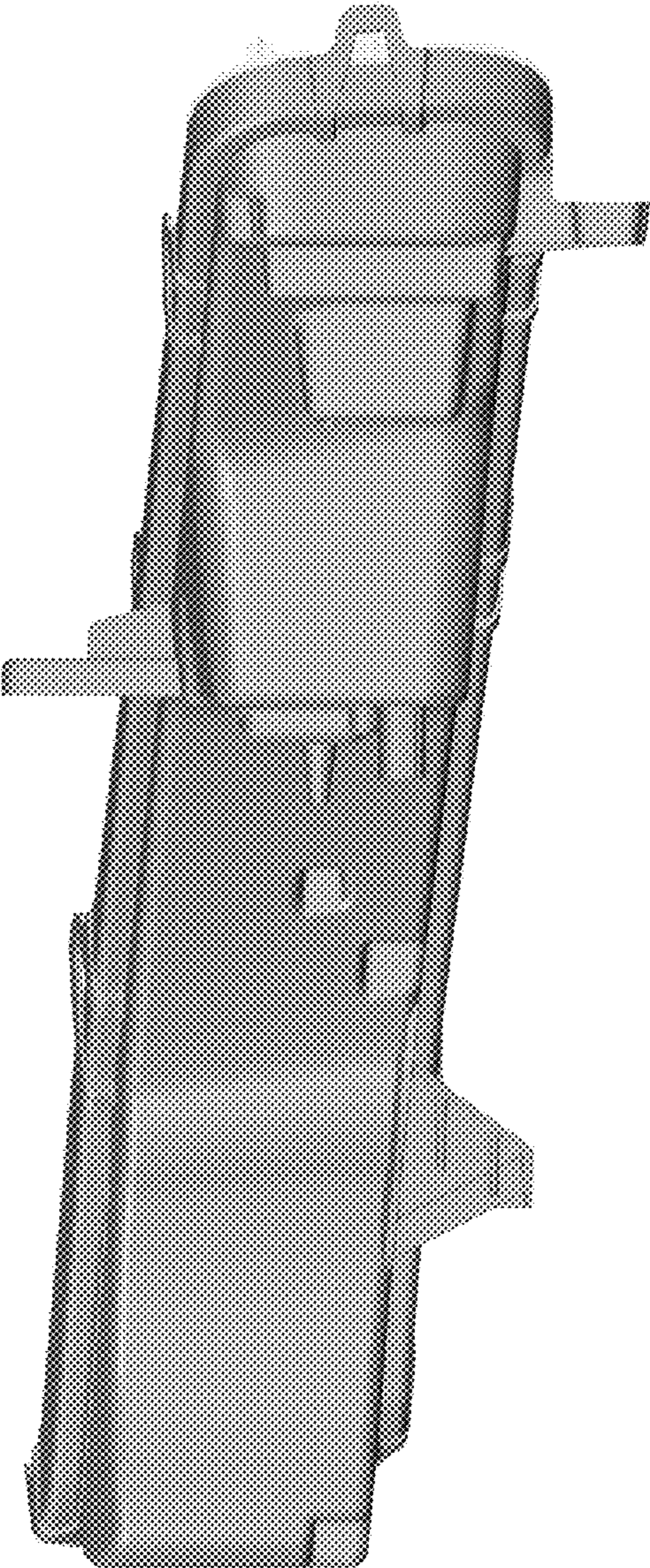


Figure 7

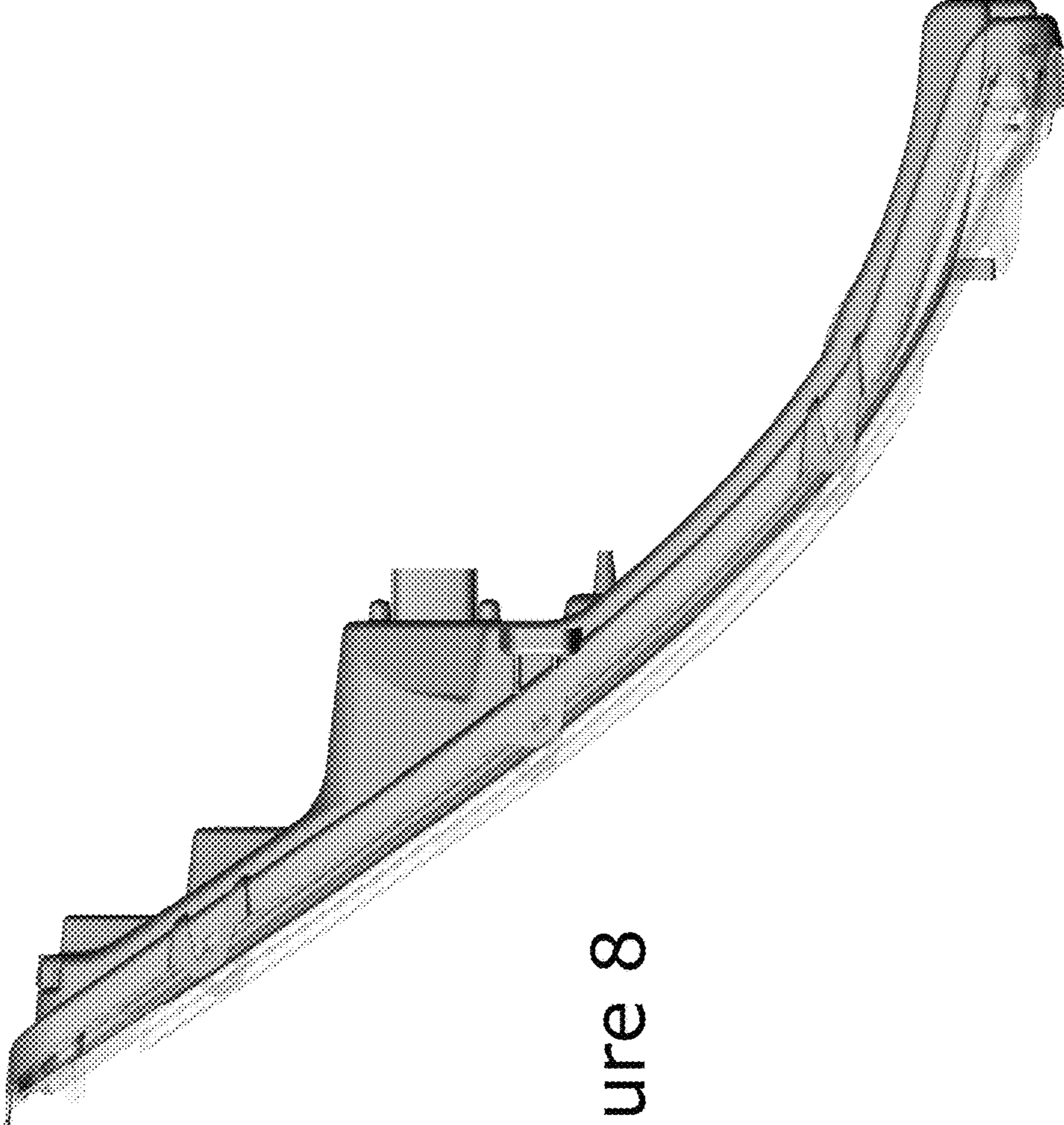


Figure 8

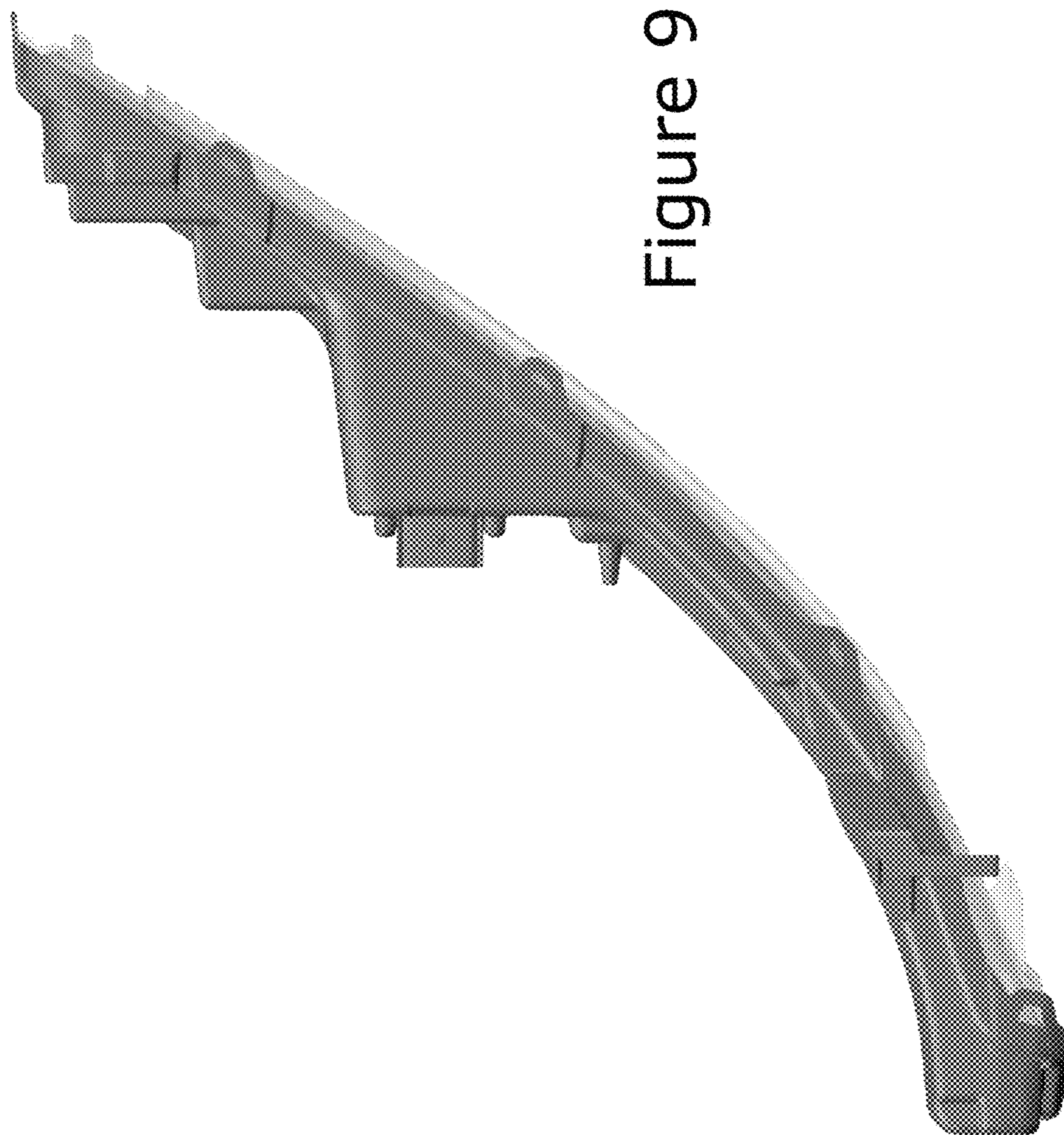


Figure 9