



US00D865228S

(12) **United States Design Patent** (10) **Patent No.:** **US D865,228 S**
Yu (45) **Date of Patent:** **** Oct. 29, 2019**

(54) **LED LAMP**

D621,968 S * 8/2010 Schultz D26/1
D723,192 S * 2/2015 Soni D26/2

(71) Applicant: **HANGZHOU GREAT STAR ROBOT TECHNOLOGY CO., LTD.**, Zhejiang Province (CN)

* cited by examiner

Primary Examiner — Marcus A Jackson

(72) Inventor: **Wentian Yu**, Zhejiang Province (CN)

(74) *Attorney, Agent, or Firm* — Blank Rome LLP

(73) Assignee: **Hangzhou Greatstar Intelligent Technology Co., Ltd.**, Zhejiang Province (CN)

(57) **CLAIM**

I claim the ornamental design for a LED lamp, as shown and described.

(**) Term: **15 Years**

DESCRIPTION

(21) Appl. No.: **29/607,303**

The patent or application file contains at least one drawing executed in color. Copies of this patent or patent application publication with color drawing(s) will be provided by the Office upon request and payment of the necessary fee.

(22) Filed: **Jun. 12, 2017**

FIG. 1 is a perspective view showing a first embodiment of a LED lamp in accordance with our new design;

(30) **Foreign Application Priority Data**

Dec. 13, 2016 (CN) 2016 3 0612844

FIG. 2 is another perspective view thereof;

(51) **LOC (12) Cl.** **26-04**

FIG. 3 is a front elevational view thereof;

(52) **U.S. Cl.**
USPC **D26/2**

FIG. 4 is a rear elevational view thereof;

(58) **Field of Classification Search**

USPC D26/1-4, 37

FIG. 5 is a left elevational view thereof;

CPC H01R 5/00; H01R 13/46; H01R 13/514;

FIG. 6 is a right elevational view thereof;

H01R 31/048; H01R 31/02; H01J 5/00;

FIG. 7 is a top plan view thereof;

H01J 5/16; H01J 1/02; H01J 15/00; H01J

FIG. 8 is a bottom plan view thereof;

5/48; H01J 5/50; H01J 19/54; F21V 5/00;

FIG. 9 is a perspective view showing a second embodiment of a LED lamp in accordance with our new design;

F21V 13/00; F21V 29/004

FIG. 10 is a front elevational view thereof;

See application file for complete search history.

FIG. 11 is a top plan view thereof;

(56) **References Cited**

U.S. PATENT DOCUMENTS

D565,750 S * 4/2008 Egawa D26/1
D594,576 S * 6/2009 Chan D26/1

FIG. 12 is a bottom plan view thereof;

FIG. 13 is a perspective view showing a third embodiment of a LED lamp in accordance with our new design;

FIG. 14 is another perspective view thereof;

FIG. 15 is a front elevational view thereof;

FIG. 16 is a rear elevational view thereof;

FIG. 17 is a left elevational view thereof;

FIG. 18 is a right elevational view thereof;

FIG. 19 is a top plan view thereof; and,

FIG. 20 is a bottom plan view thereof.

1 Claim, 20 Drawing Sheets
(20 of 20 Drawing Sheet(s) Filed in Color)

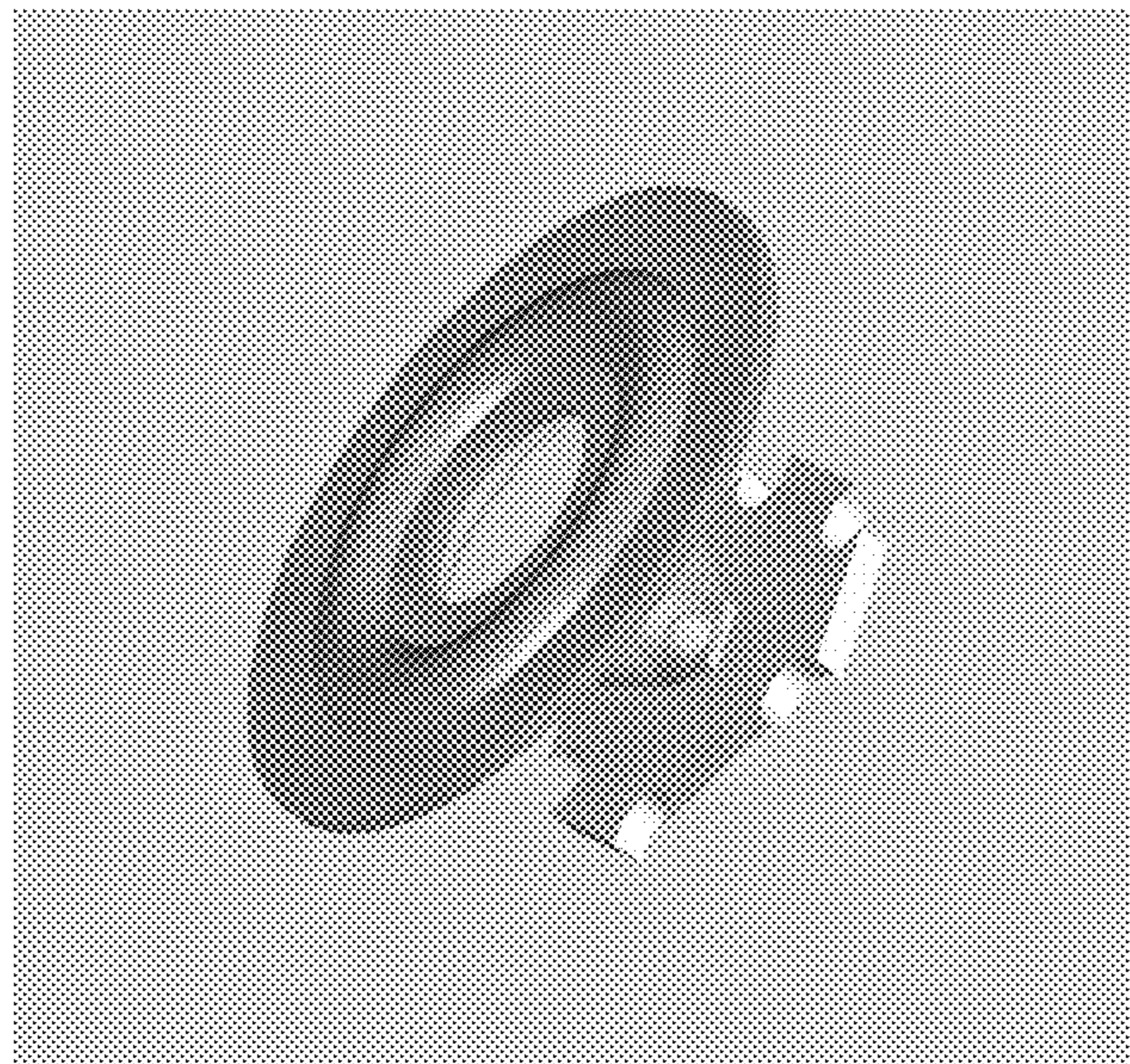


FIG. 1

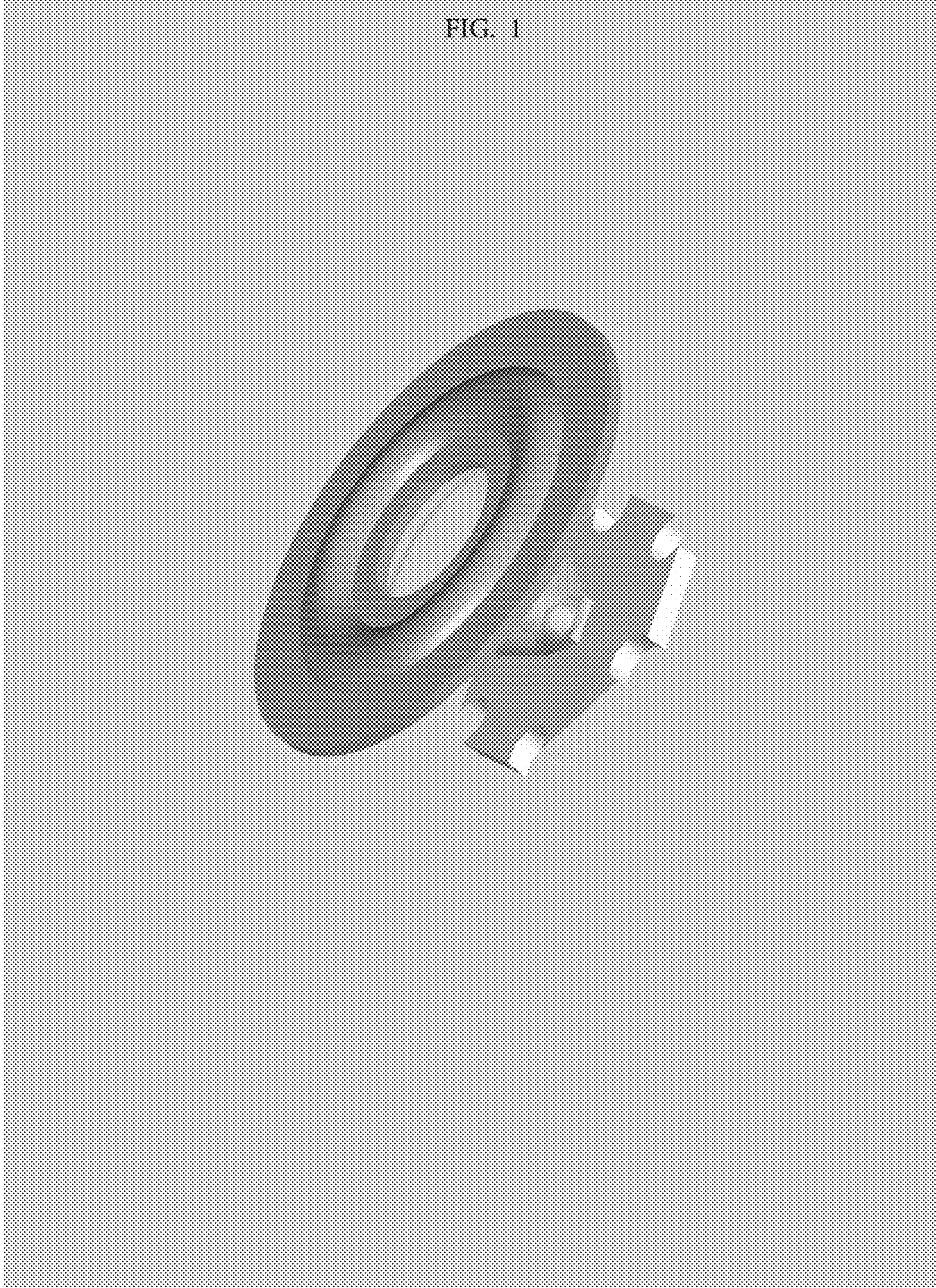


FIG. 2

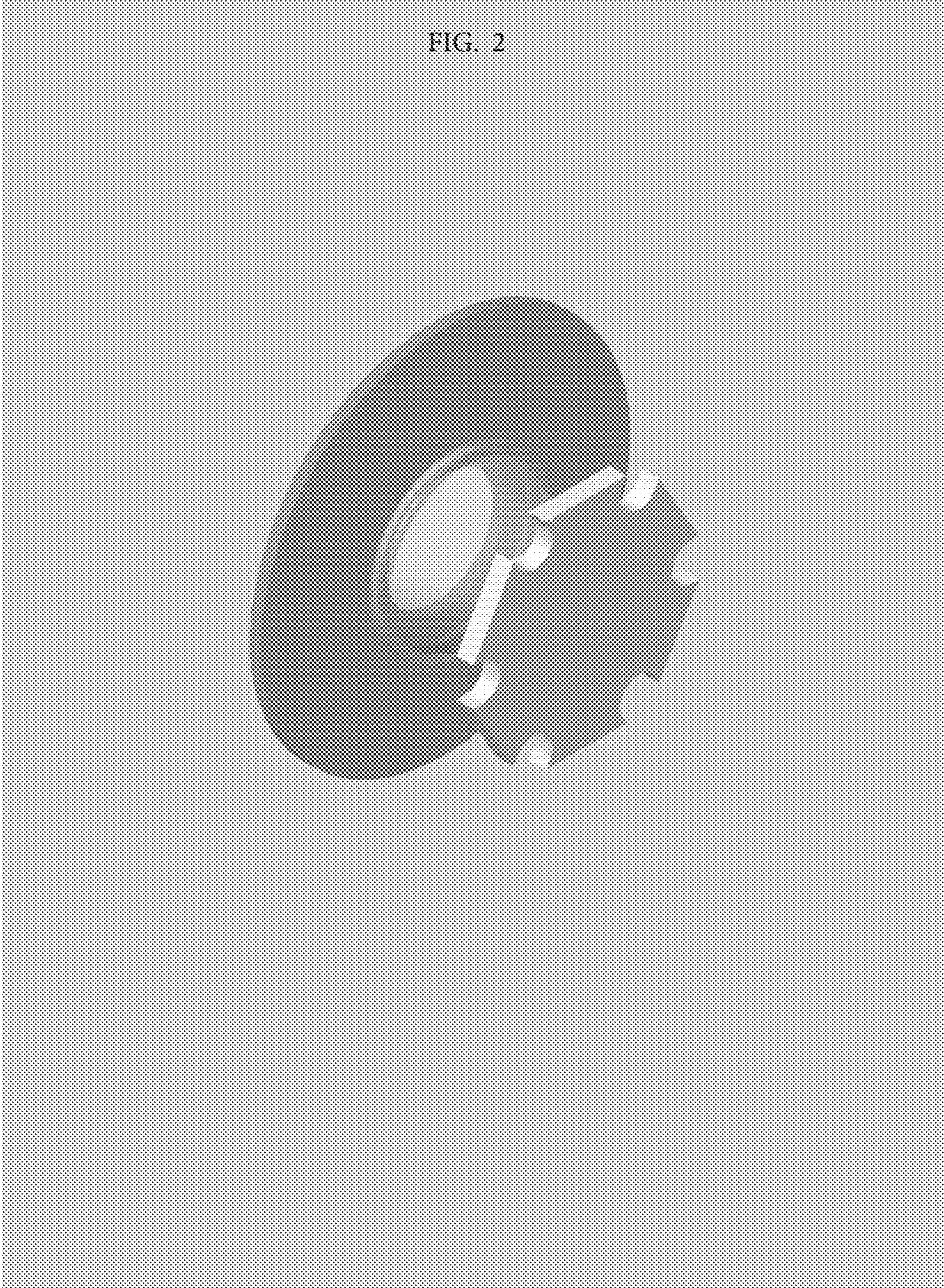


FIG. 3

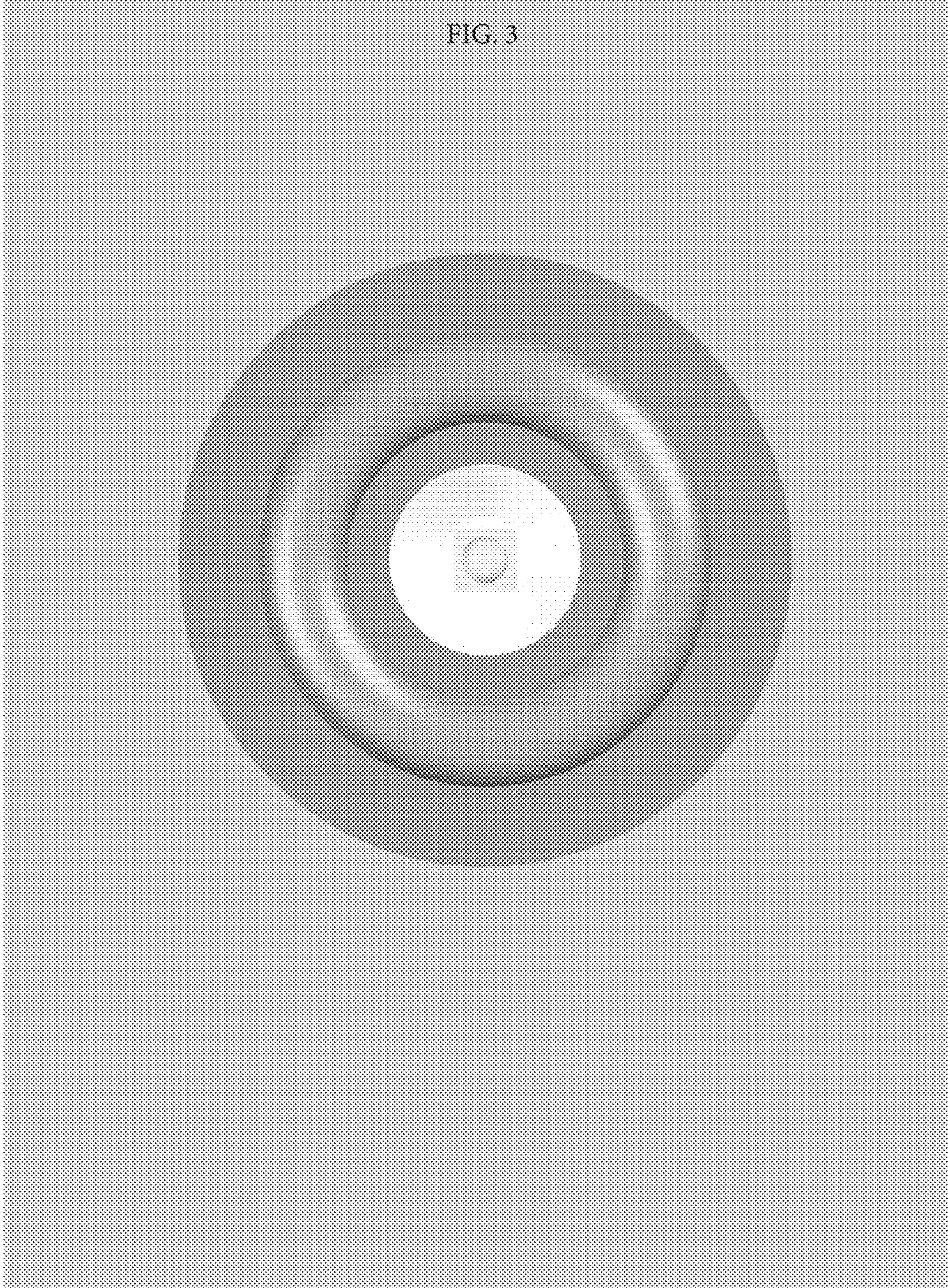


FIG. 4

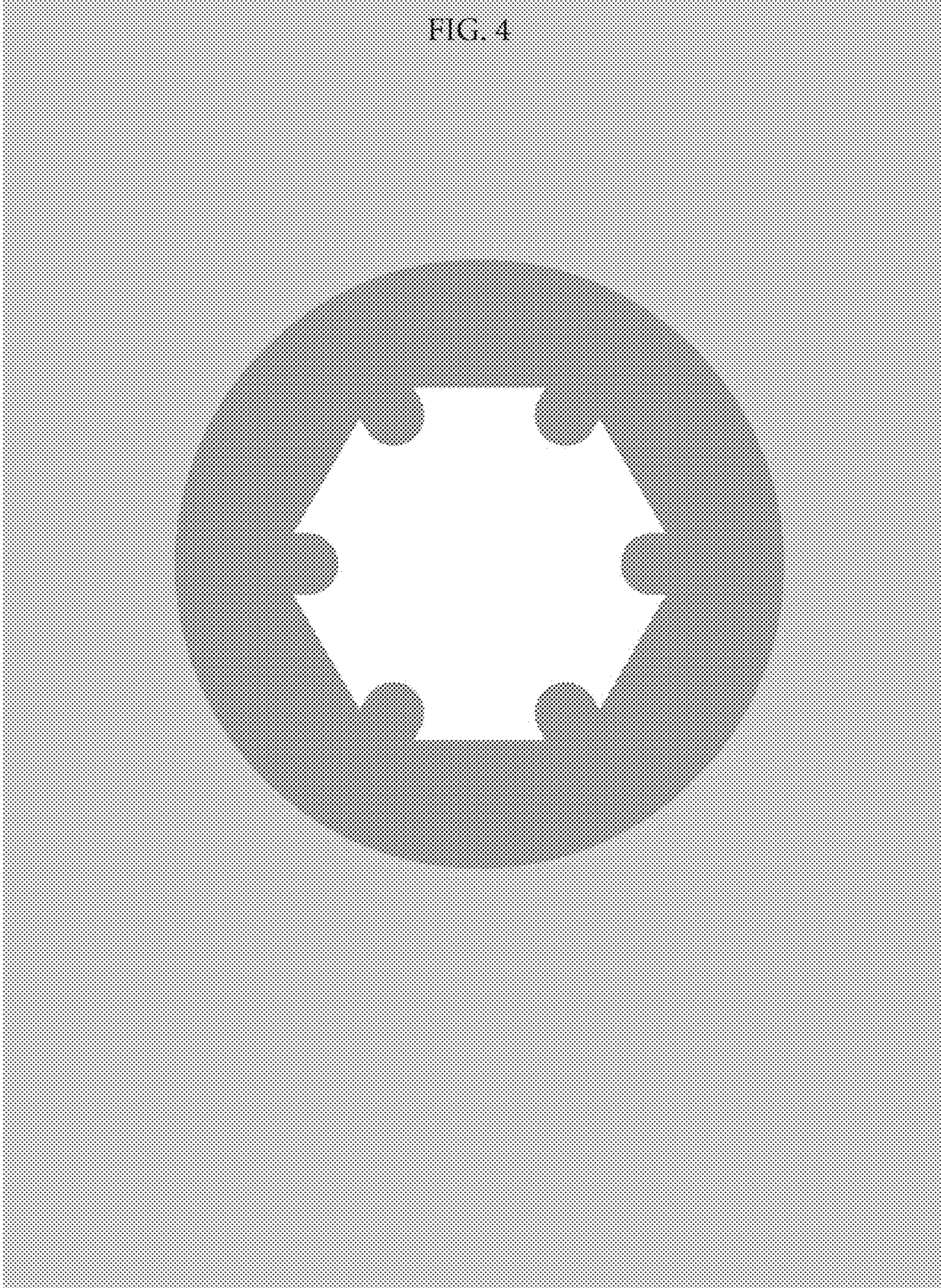
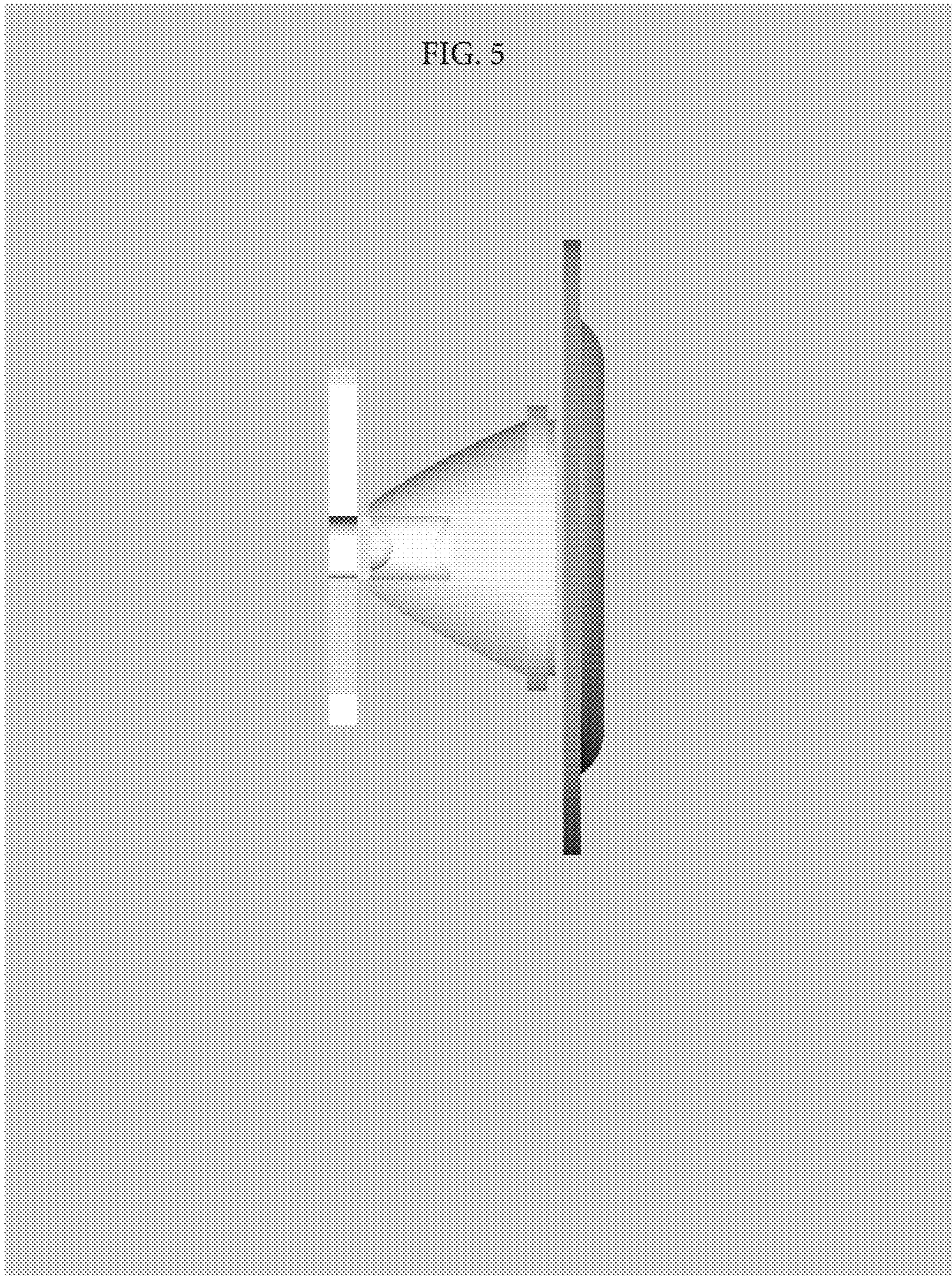


FIG. 5



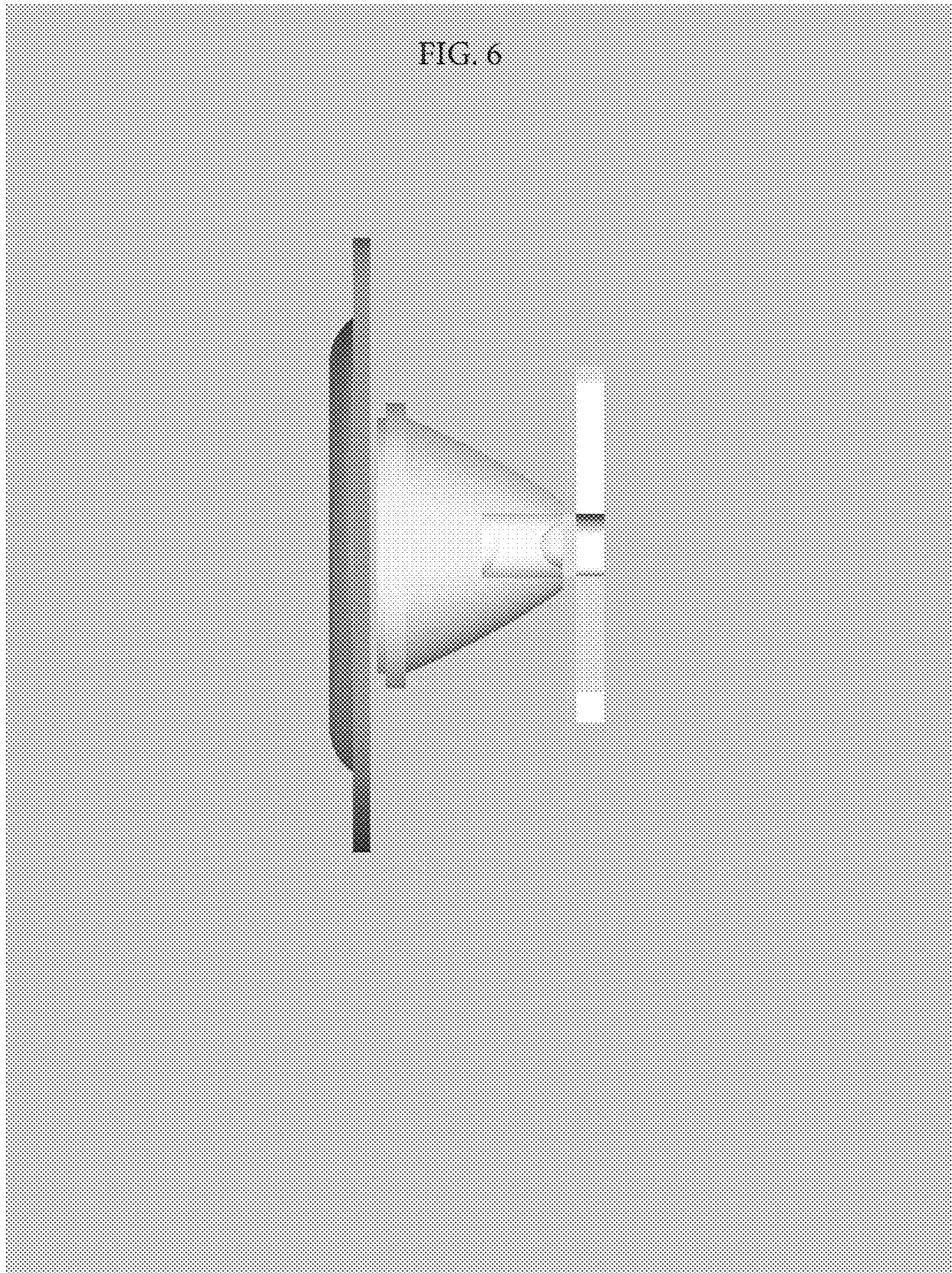


FIG. 7

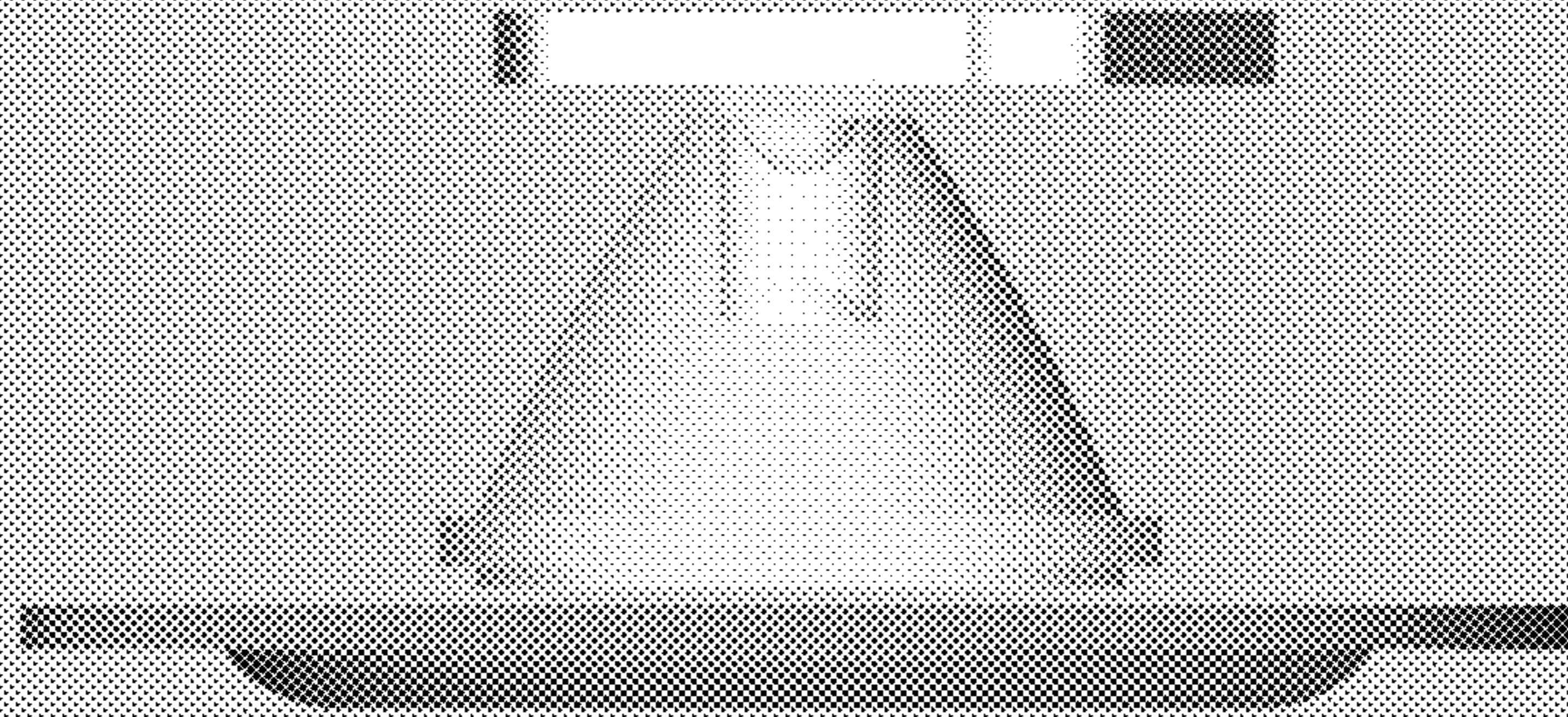


FIG. 8

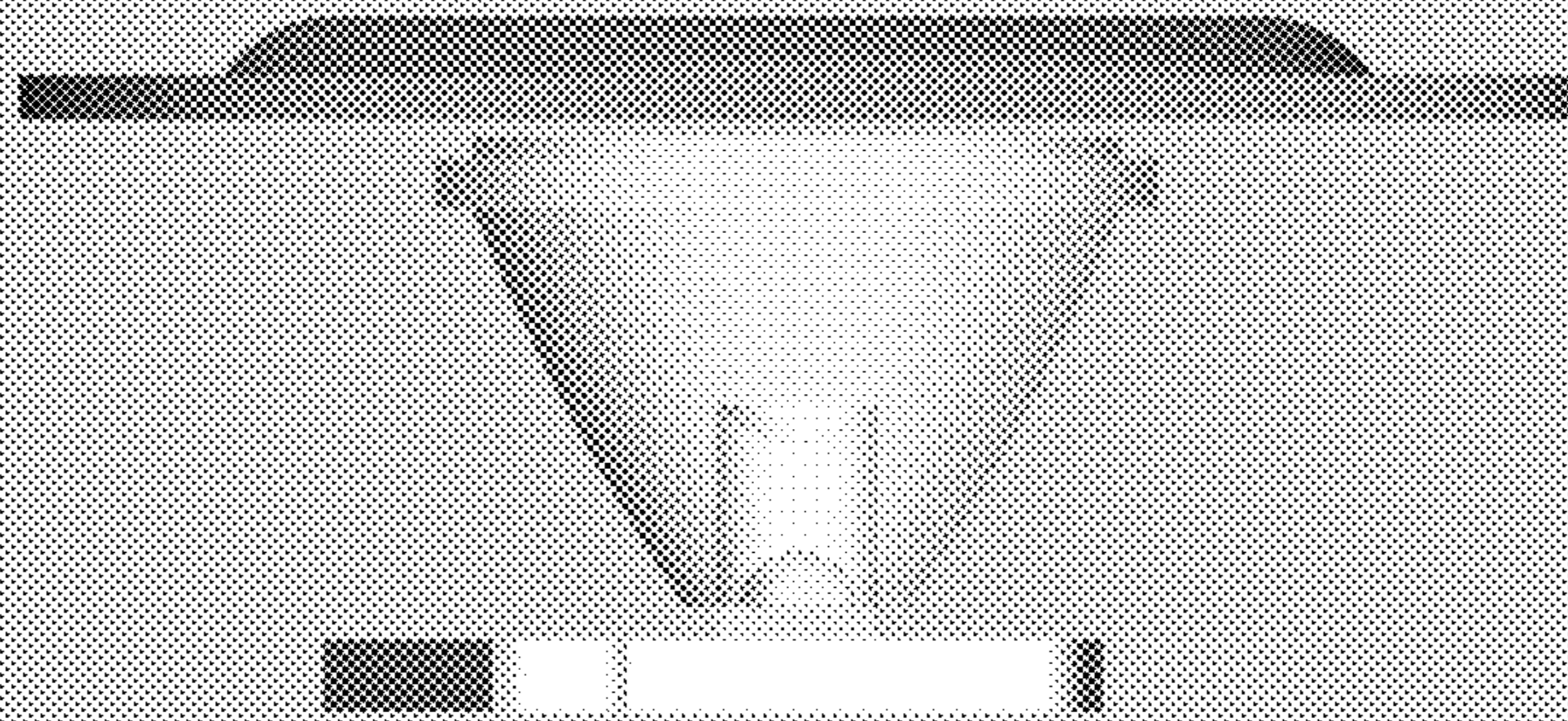


FIG. 9

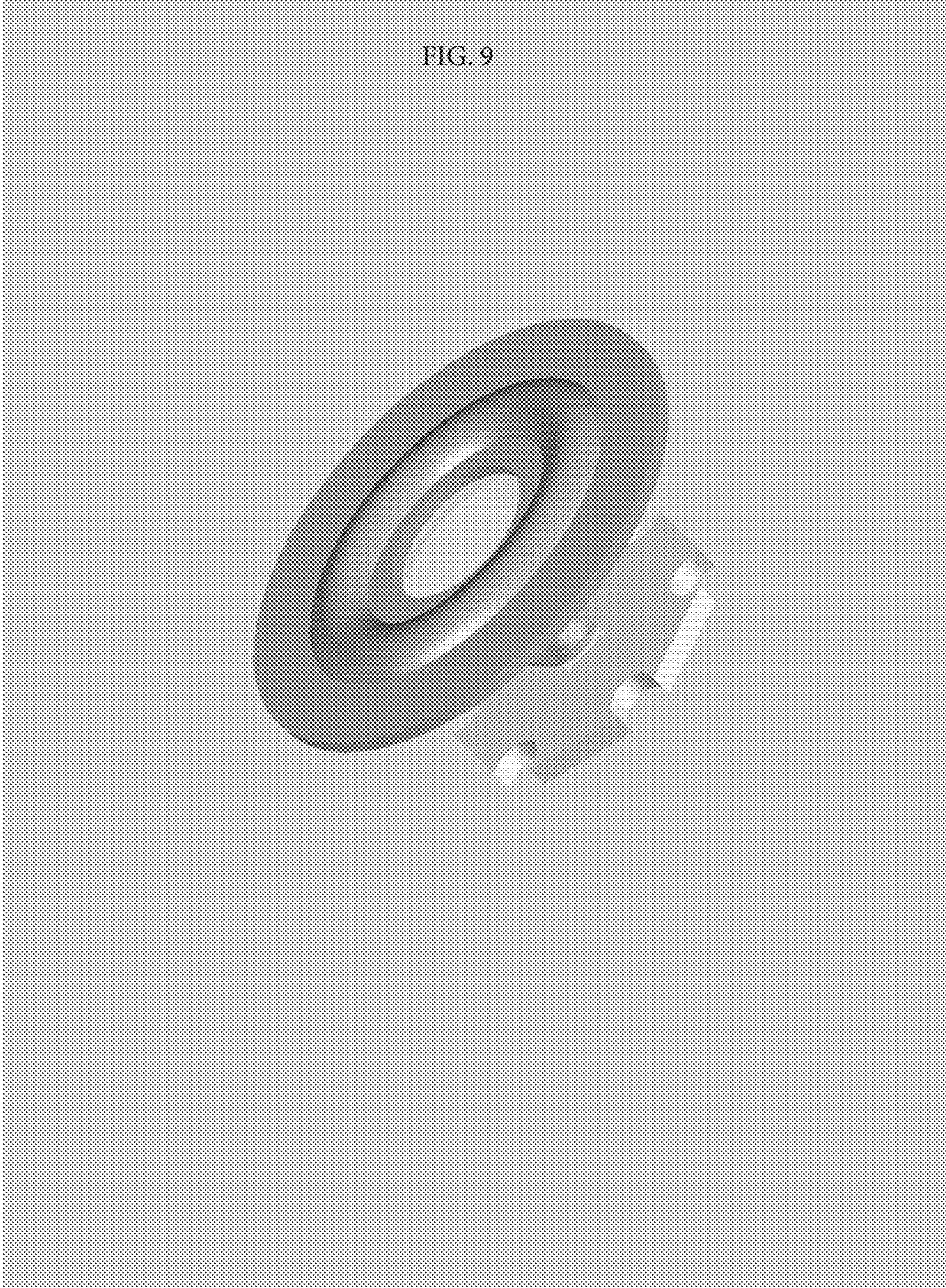


FIG. 10

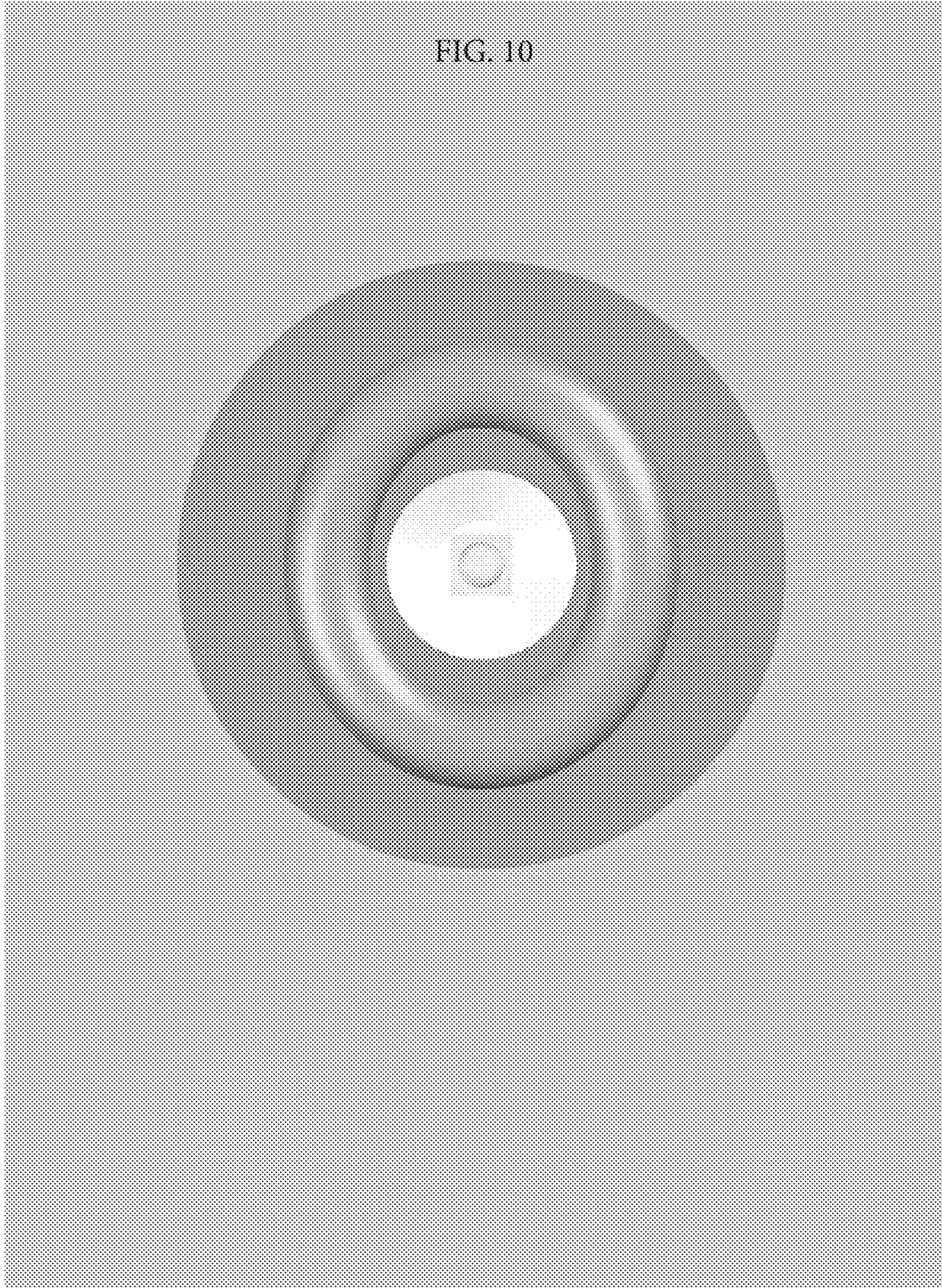


FIG. 11

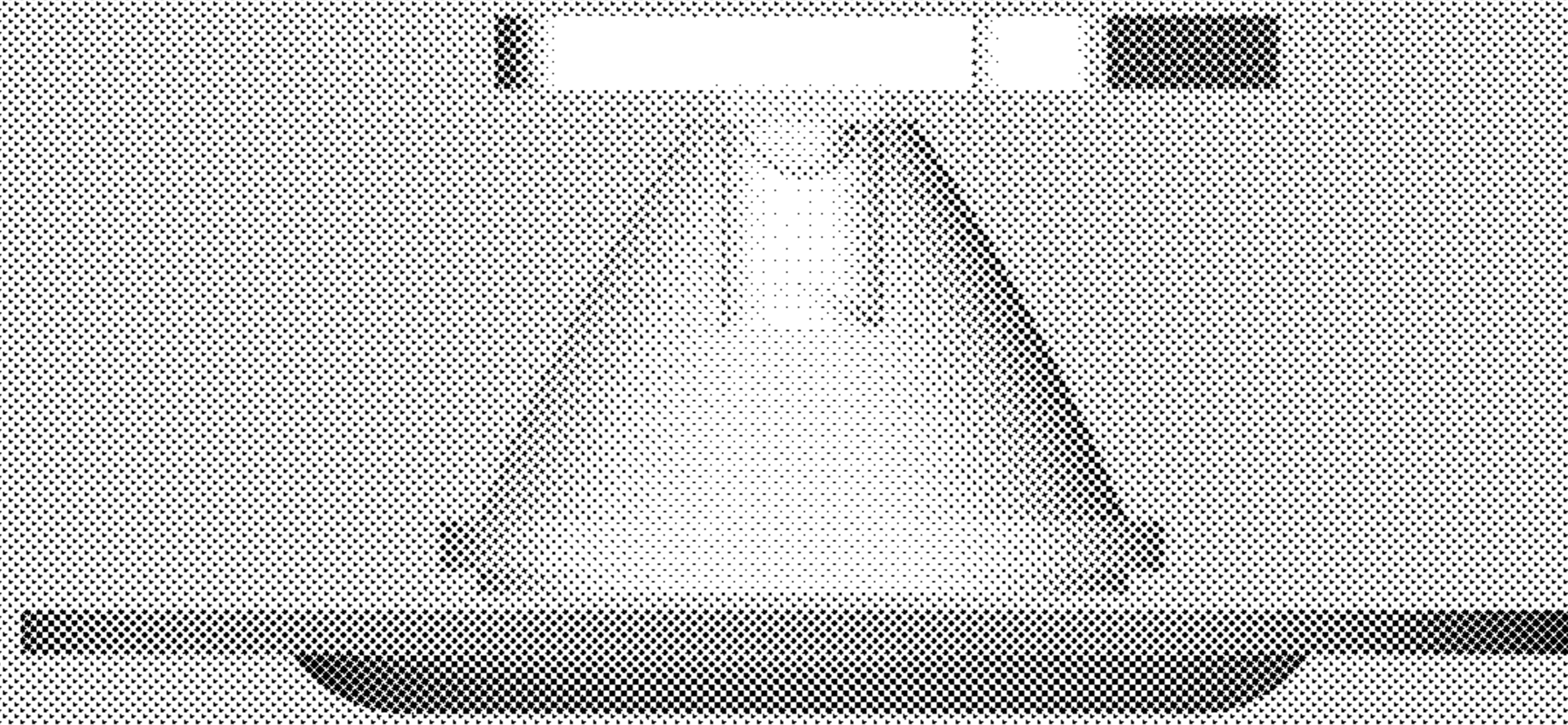


FIG. 12

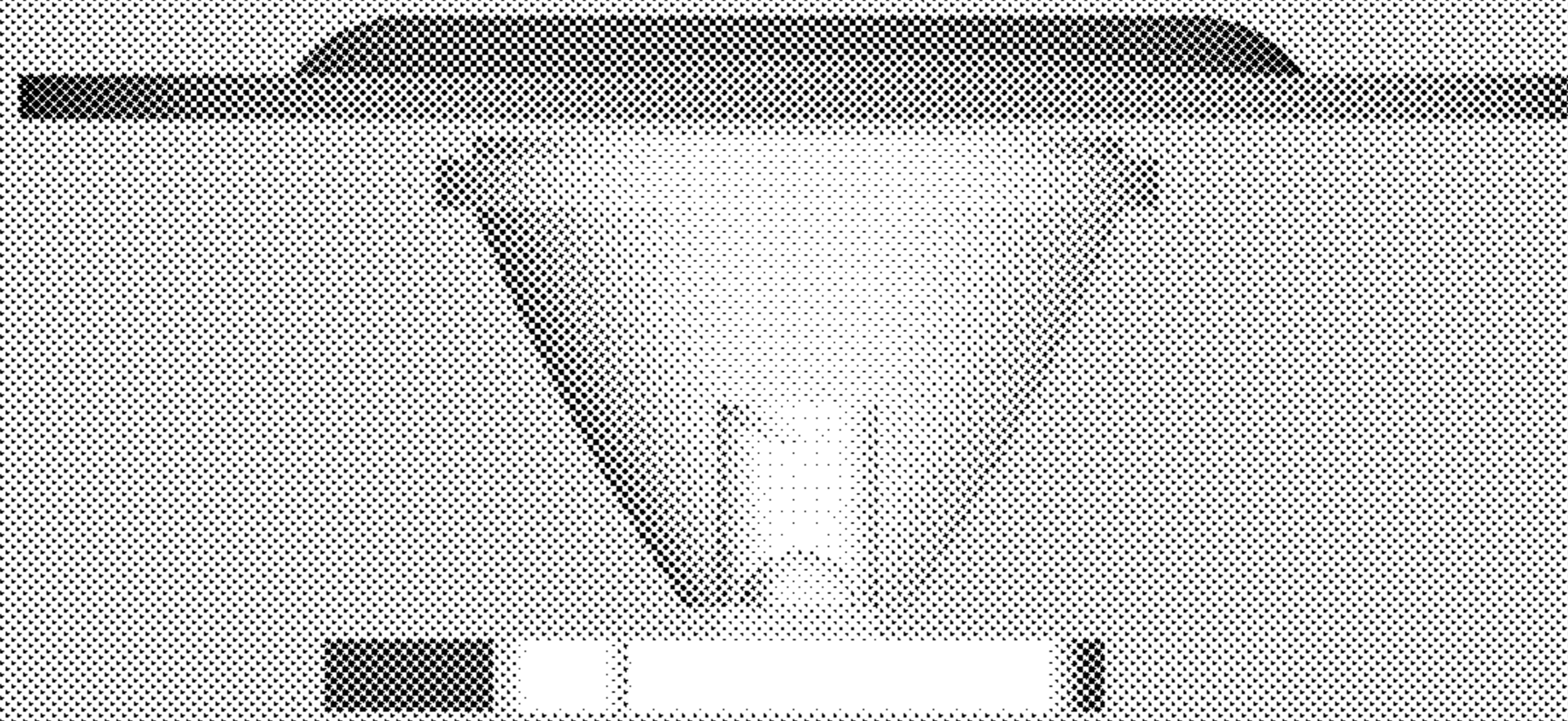


FIG. 13

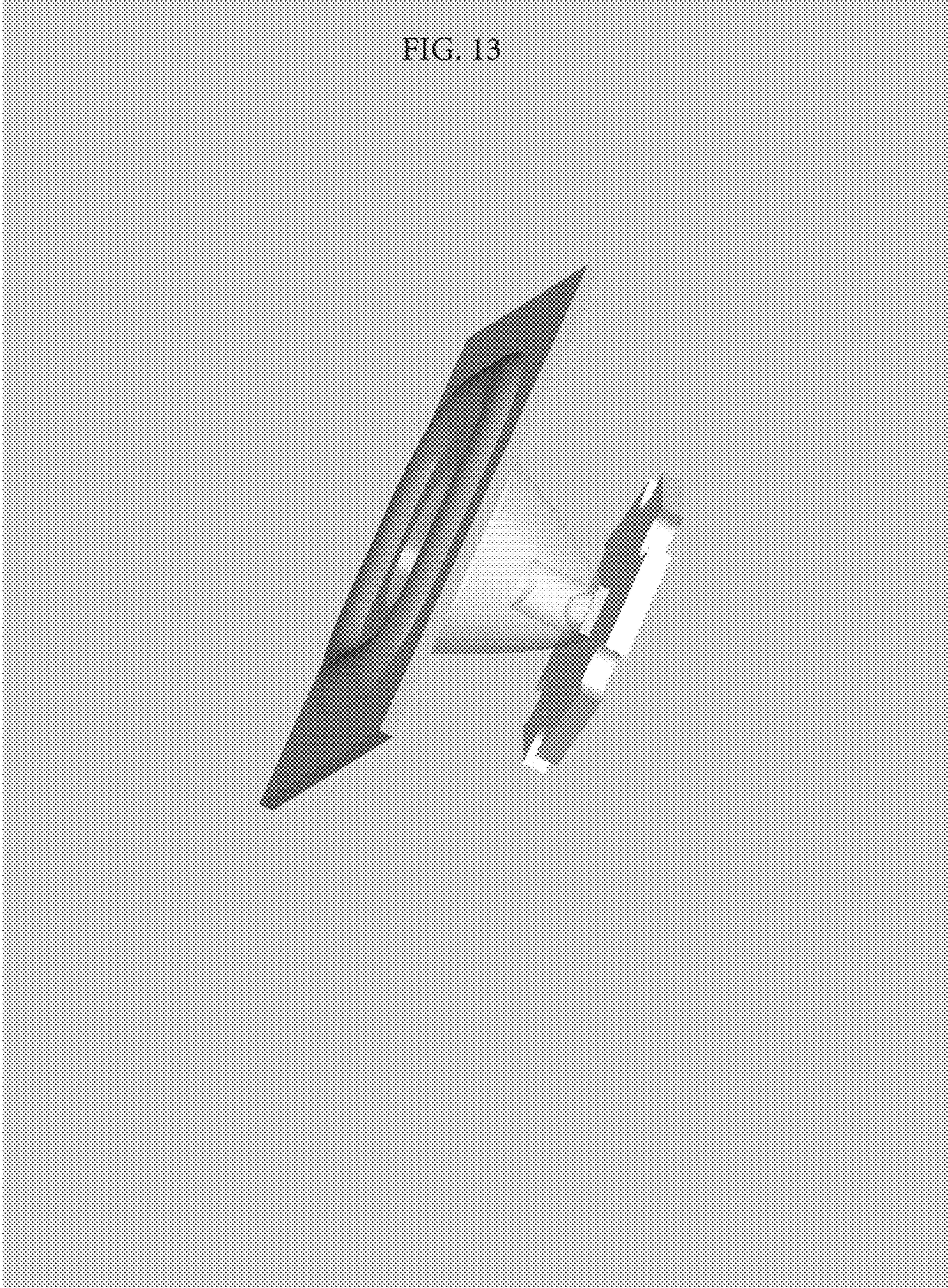


FIG. 14

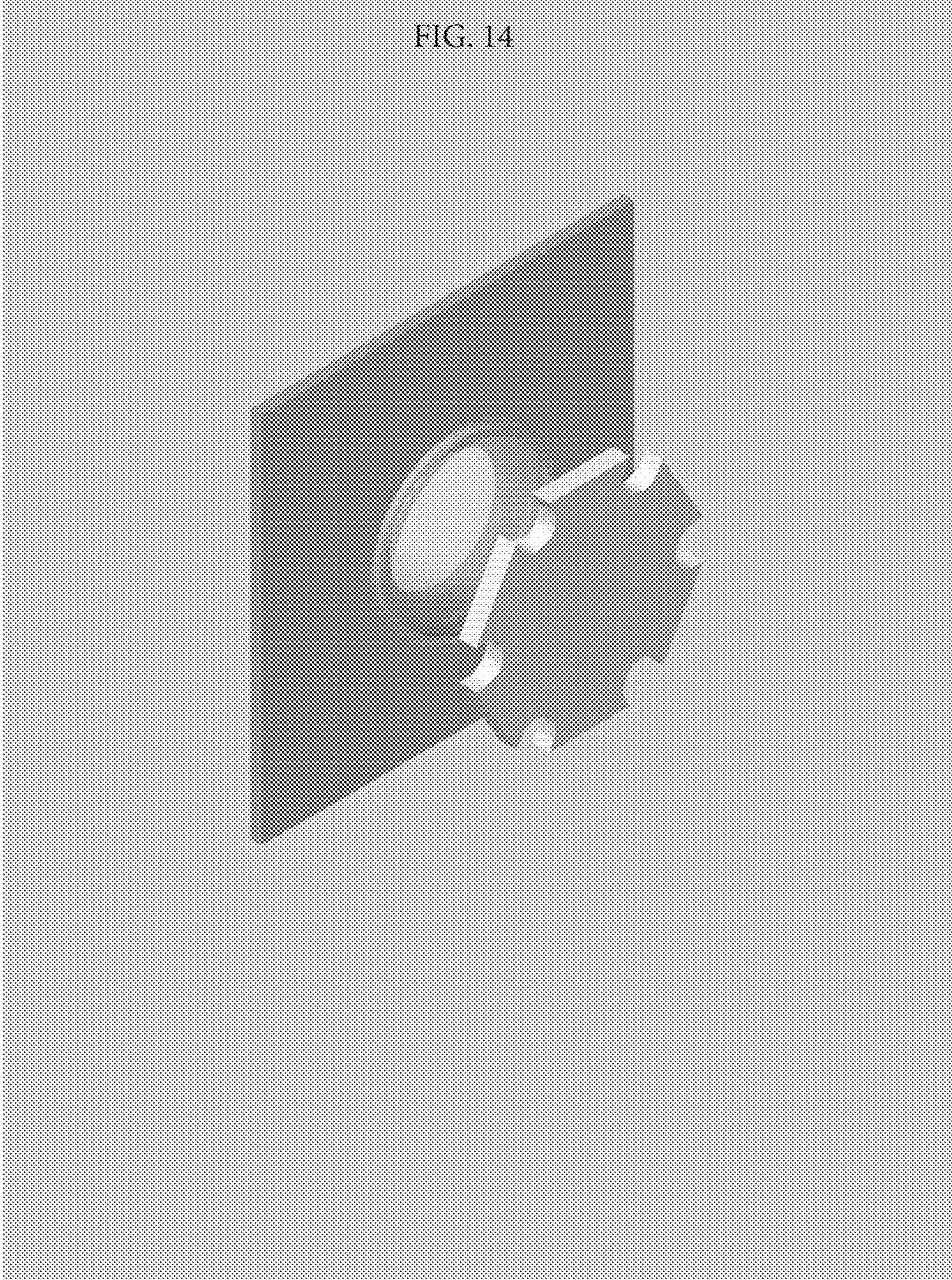


FIG. 15

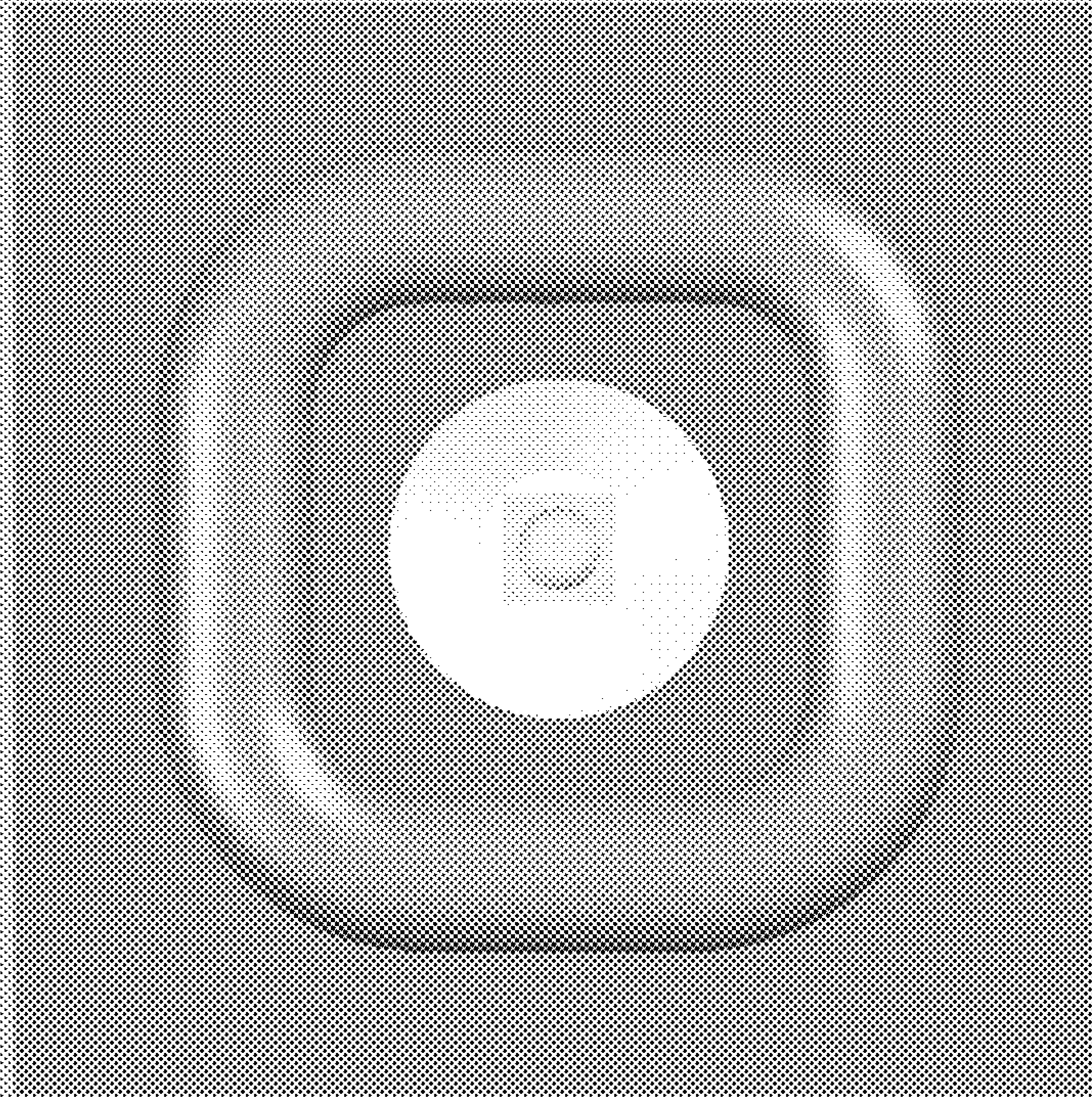


FIG. 16

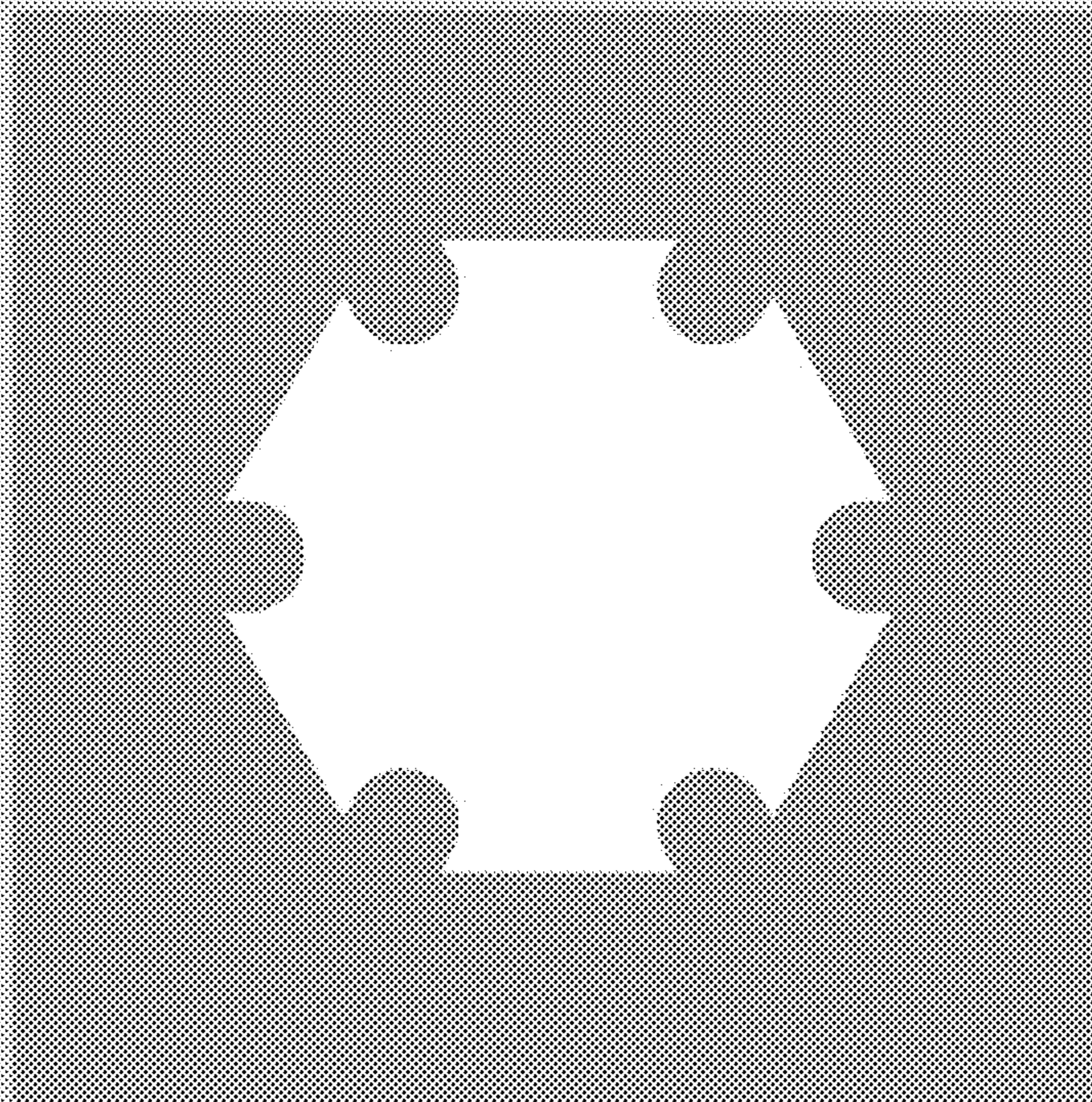
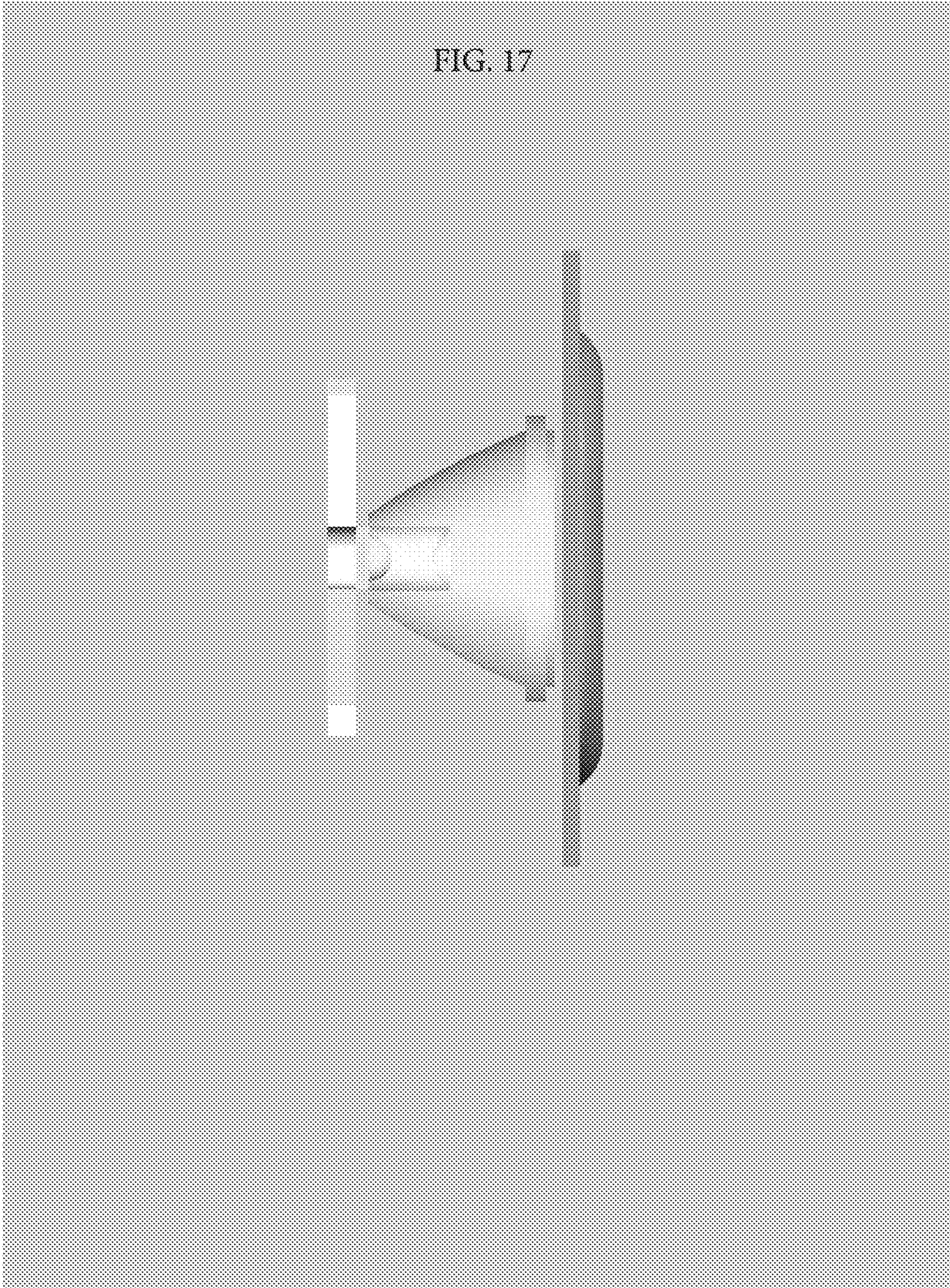


FIG. 17



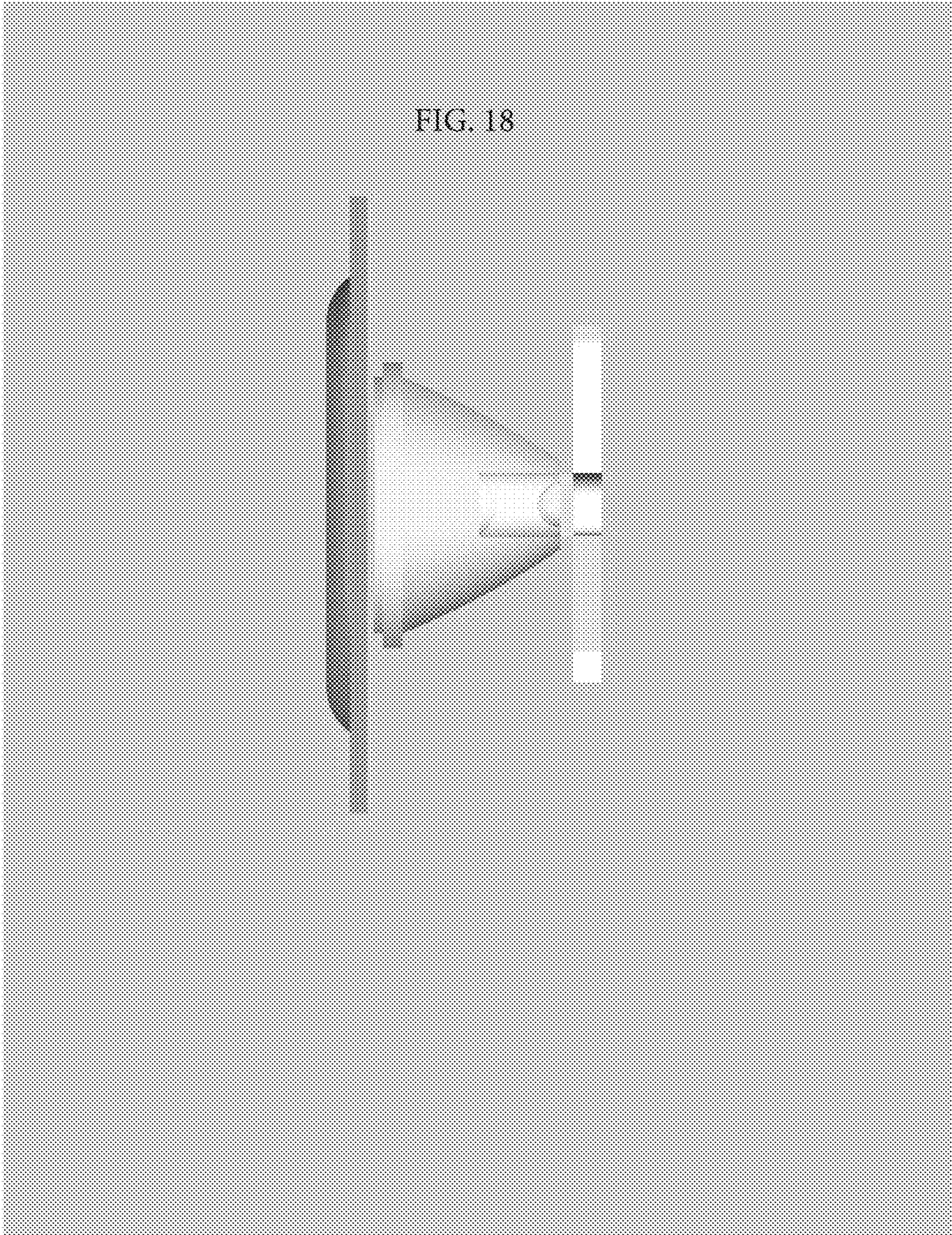


FIG. 19

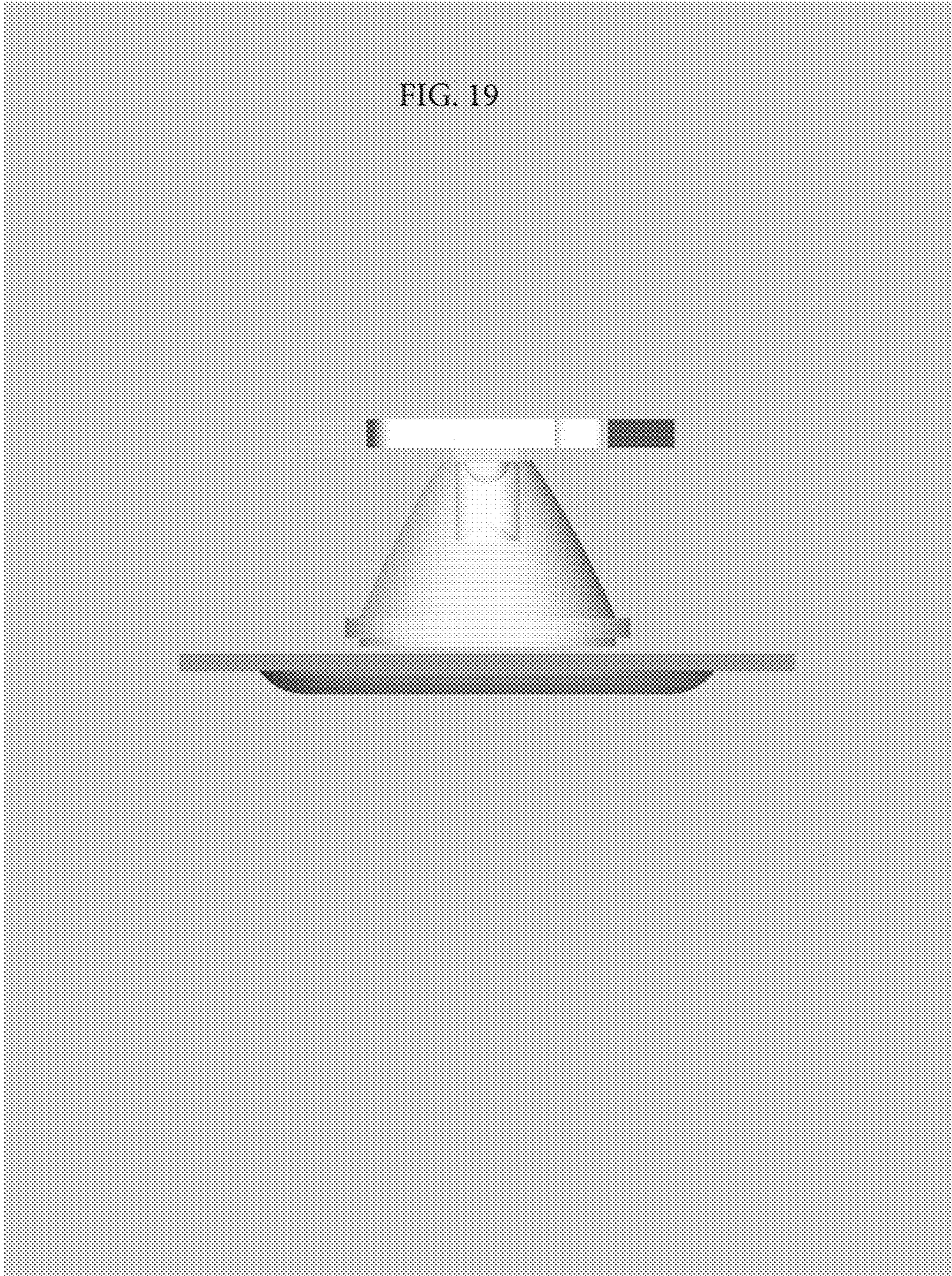


FIG. 20

