



US00D865226S

(12) **United States Design Patent** (10) **Patent No.:** **US D865,226 S**
Liu et al. (45) **Date of Patent:** **** Oct. 29, 2019**

(54) **LIGHT EMITTING UNIT**
(71) Applicant: **EPISTAR CORPORATION**, Hsinchu (TW)
(72) Inventors: **Chun-Hung Liu**, Hsinchu (TW);
Chien-Liang Liu, Hsinchu (TW);
Ming-Chi Hsu, Hsinchu (TW)
(73) Assignee: **Epistar Corporation**, Hsinchu (TW)
(**) Term: **15 Years**
(21) Appl. No.: **29/611,867**
(22) Filed: **Jul. 26, 2017**

(30) **Foreign Application Priority Data**
Jan. 26, 2017 (TW) 106300465
(51) **LOC (12) Cl.** **26-04**
(52) **U.S. Cl.**
USPC **D26/1; D13/180**
(58) **Field of Classification Search**
USPC D26/1-4; D13/180
CPC H01L 25/167; H01L 27/15; H01L 27/56;
H01L 31/02; H01L 33/00; H01L 33/04;
H01L 33/08; H01L 33/10; H01L 33/20;
H01L 33/38; H01L 33/42; H01L 33/483;
H01L 33/486
See application file for complete search history.

(56) **References Cited**
U.S. PATENT DOCUMENTS
D508,573 S * 8/2005 Matsui D26/1
D636,900 S * 4/2011 Chou D26/1

* cited by examiner

Primary Examiner — Marcus A Jackson
(74) *Attorney, Agent, or Firm* — Muncy, Geissler, Olds & Lowe, P.C.

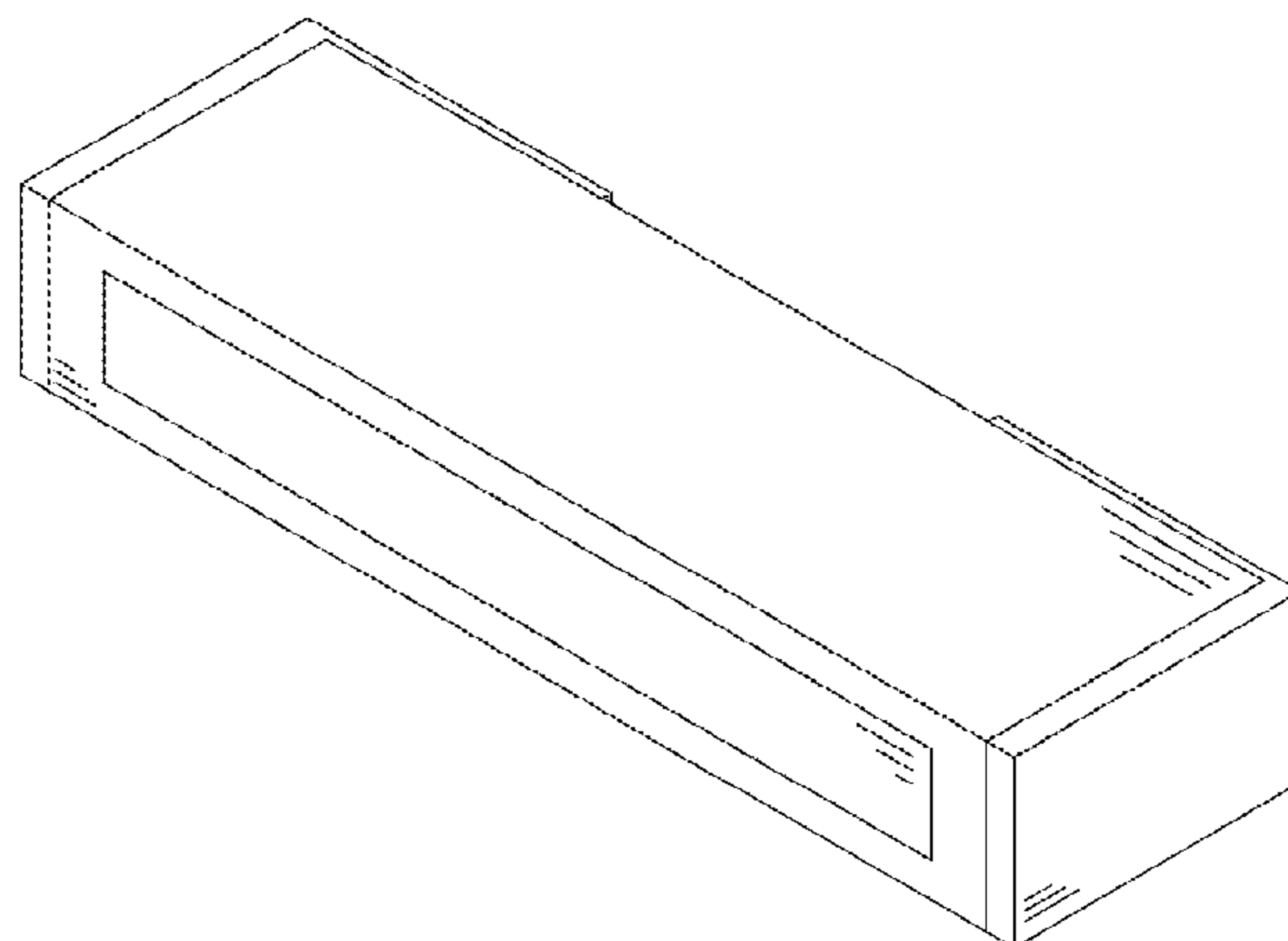
(57) **CLAIM**

The ornamental design for a light emitting unit, as shown and described.

DESCRIPTION

FIG. 1 is a front, right, top perspective view of a light emitting unit showing our new design;
FIG. 2 is a rear, right, top perspective view thereof;
FIG. 3 is a front elevational view thereof;
FIG. 4 is a rear elevational view thereof;
FIG. 5 is a left side view thereof;
FIG. 6 is a right side view thereof;
FIG. 7 is a top plan view thereof; and
FIG. 8 is a bottom plan view thereof;
FIG. 9 is a front, right, top perspective view of a second embodiment of a light emitting unit showing our new design;
FIG. 10 is a rear, right, top perspective view thereof;
FIG. 11 is a front elevational view thereof;
FIG. 12 is a rear elevational view thereof;
FIG. 13 is a left side view thereof;
FIG. 14 is a right side view thereof;
FIG. 15 is a top plan view thereof; and,
FIG. 16 is a bottom plan view thereof.
The broken lines show environmental structure and form no part of the claimed design.

1 Claim, 10 Drawing Sheets



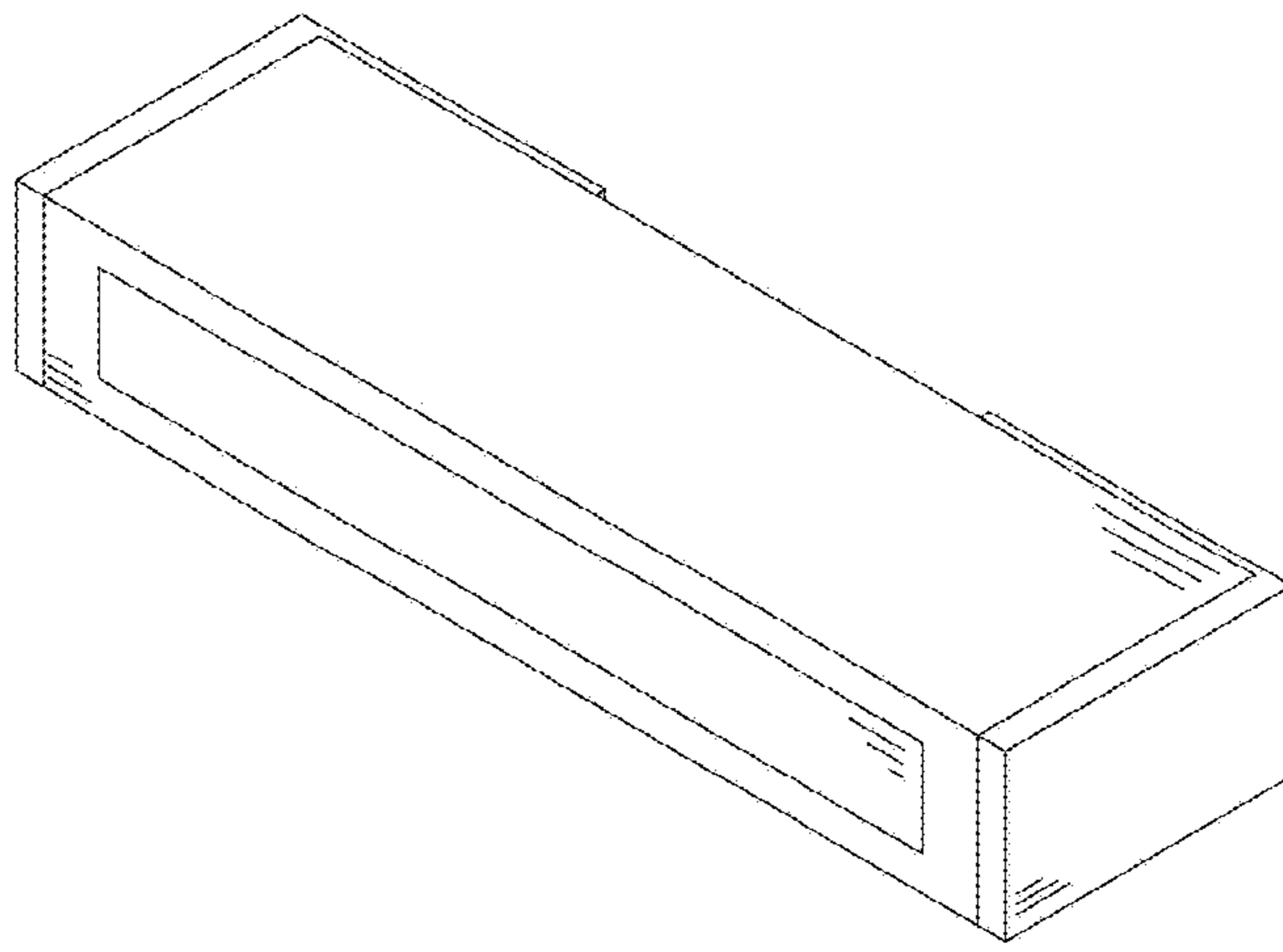


FIG. 1

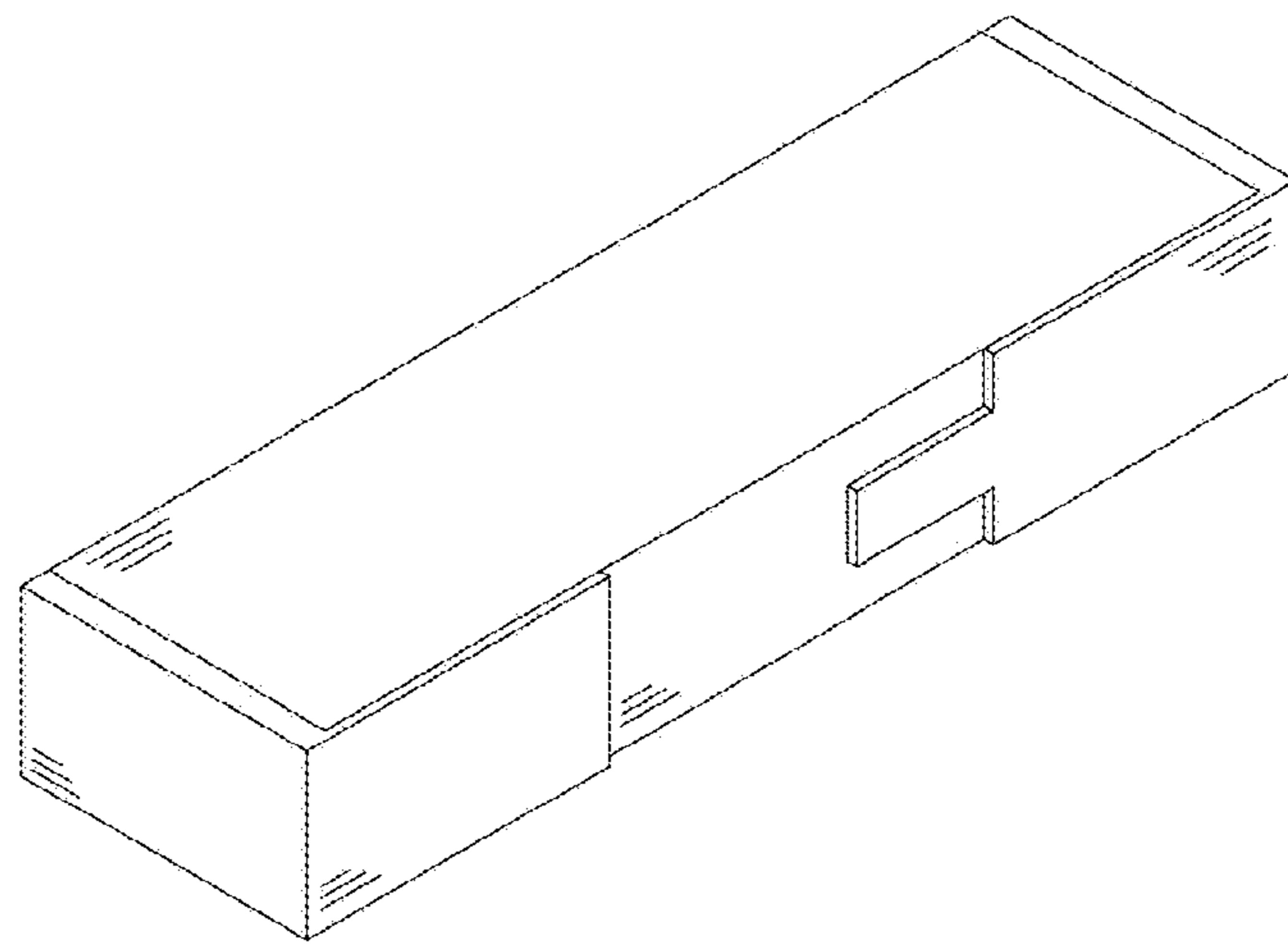


FIG. 2

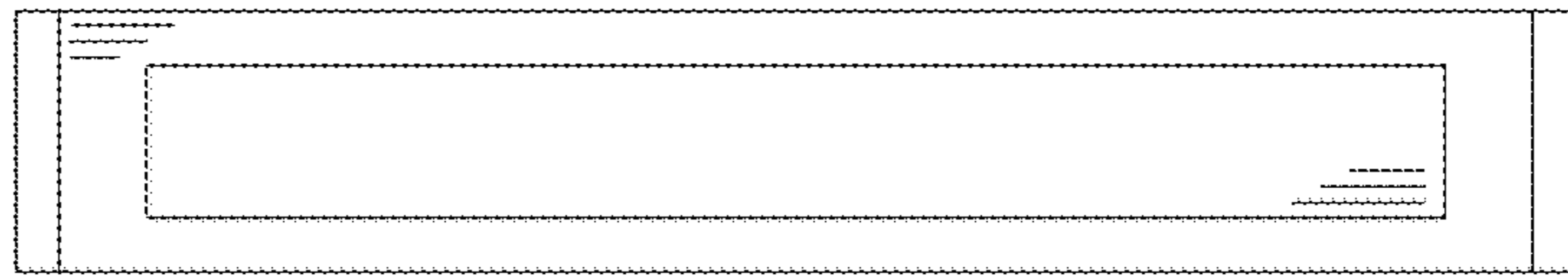


FIG. 3

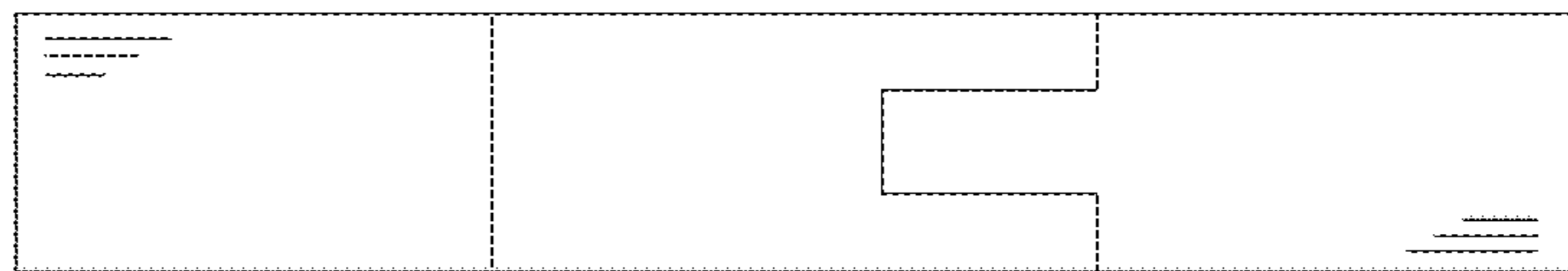


FIG. 4

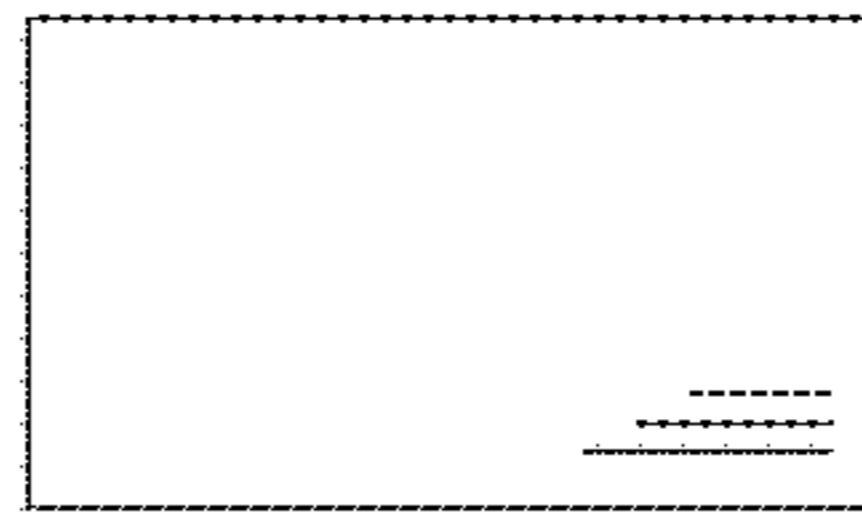


FIG. 5

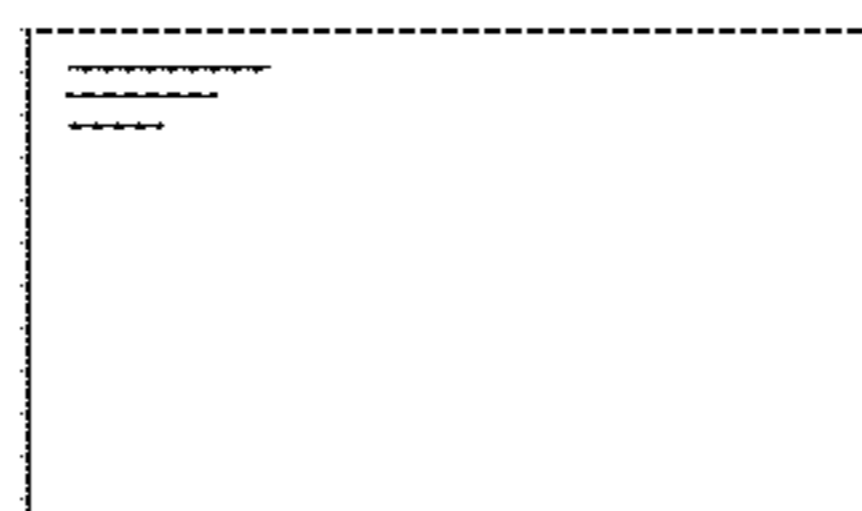


FIG. 6

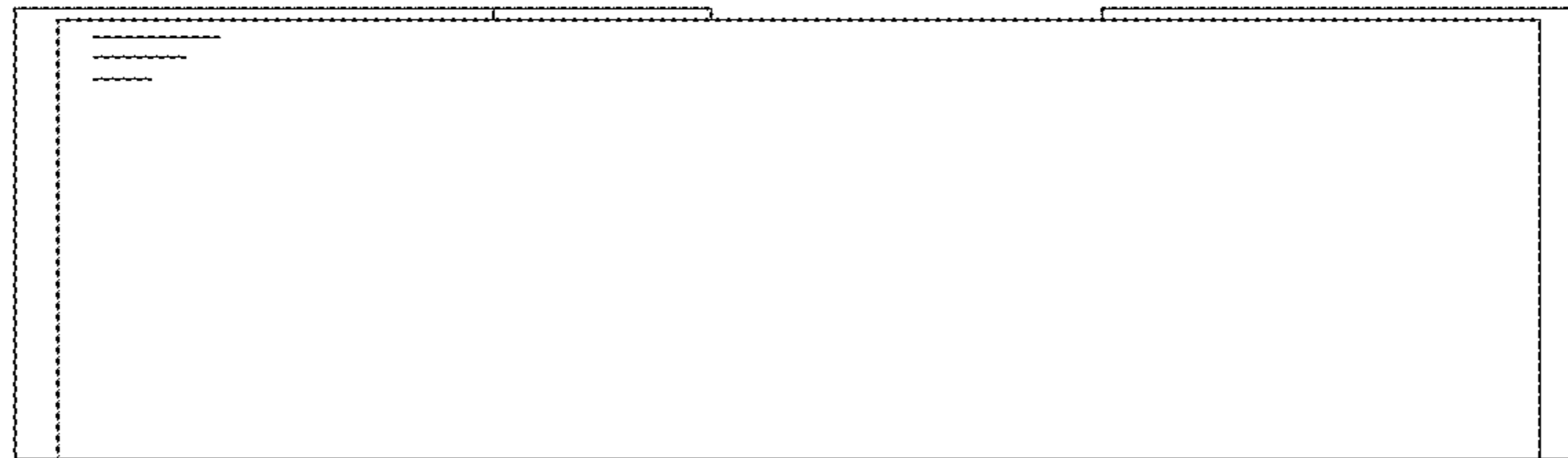


FIG. 7

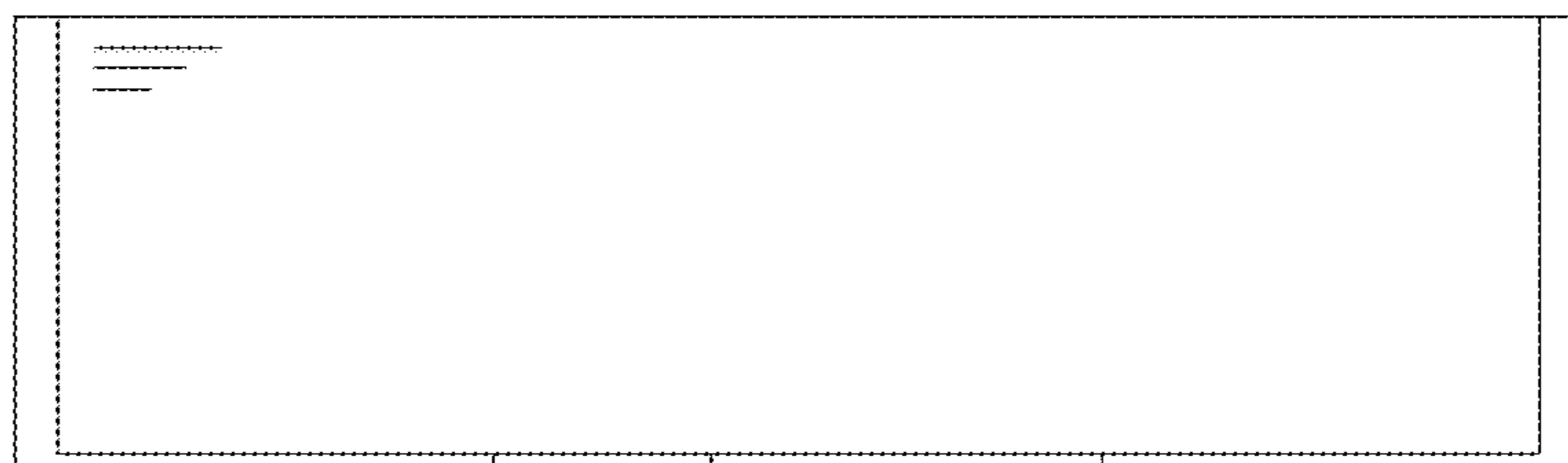


FIG. 8

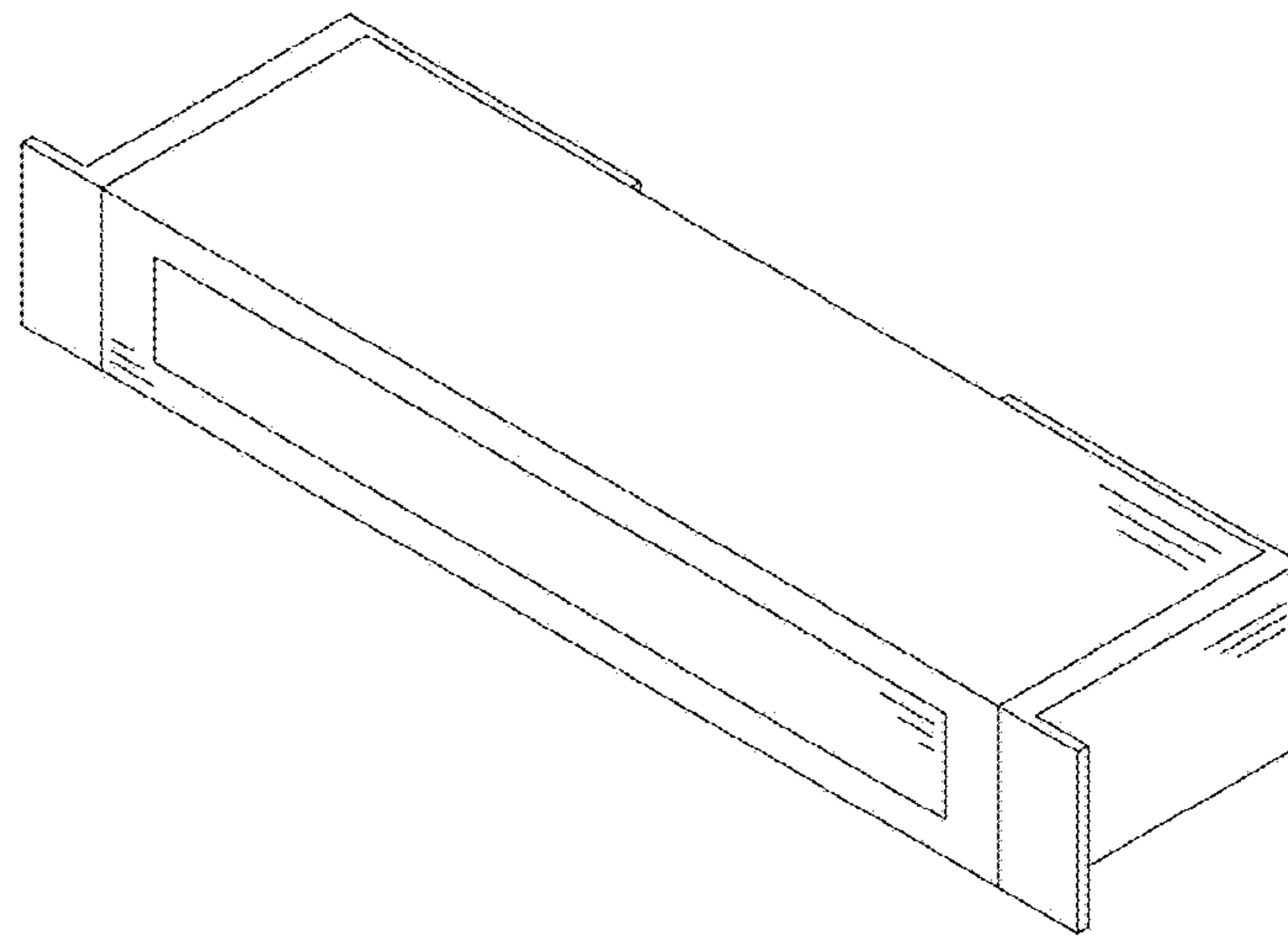


FIG. 9

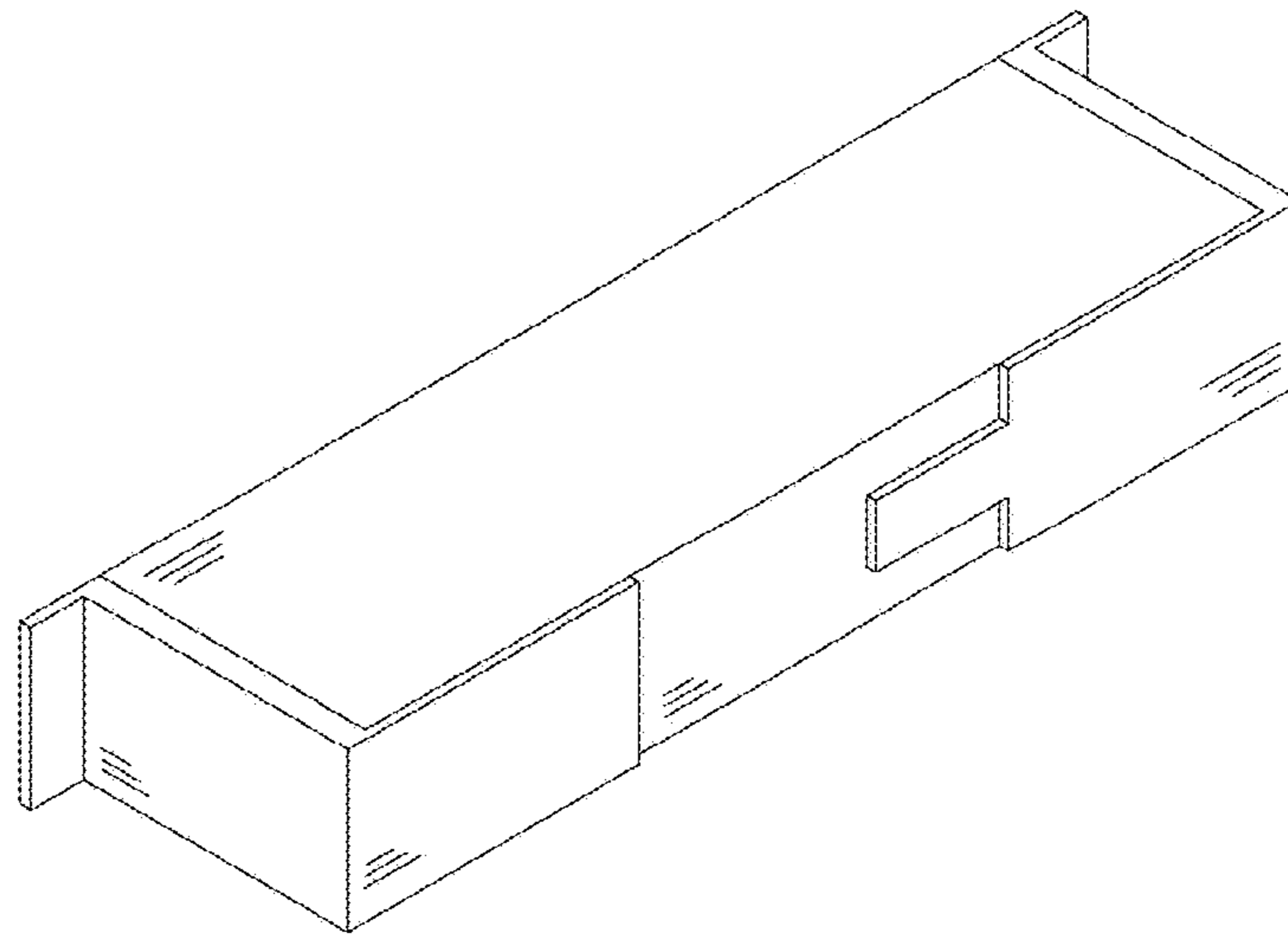


FIG. 10

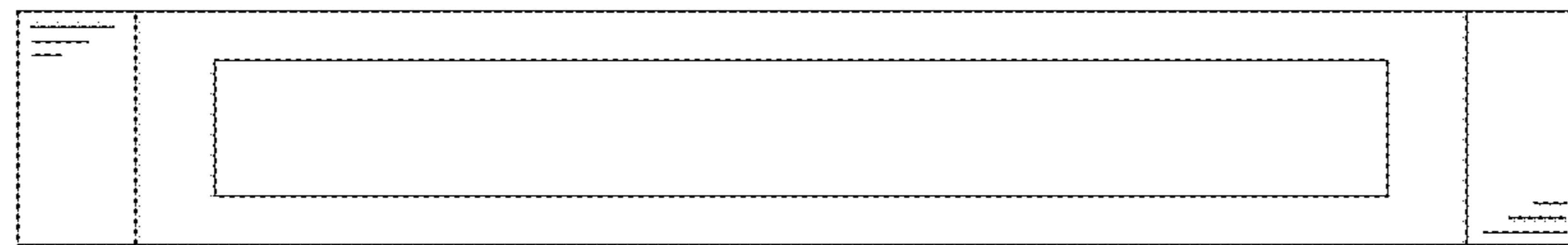


FIG. 11

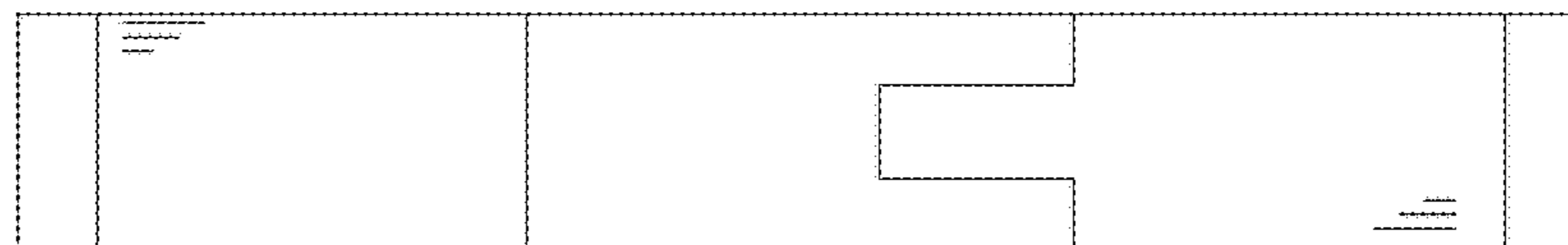


FIG. 12

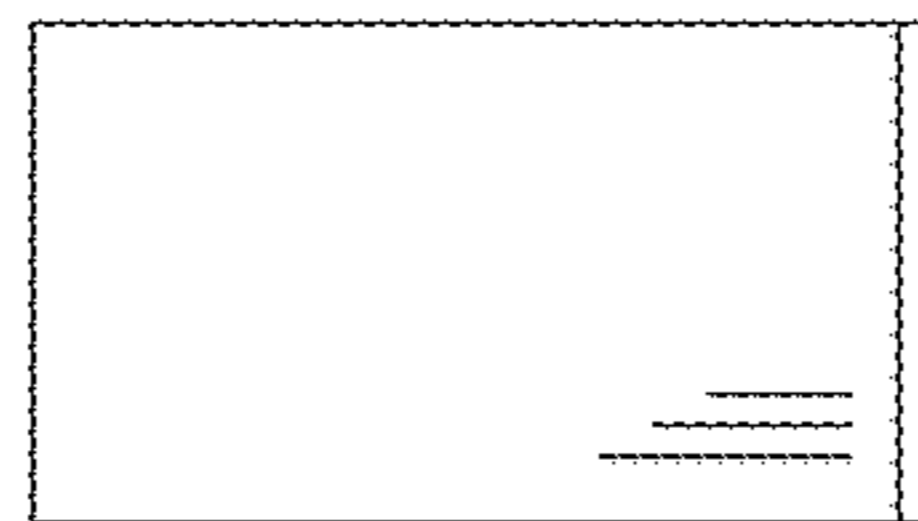


FIG. 13

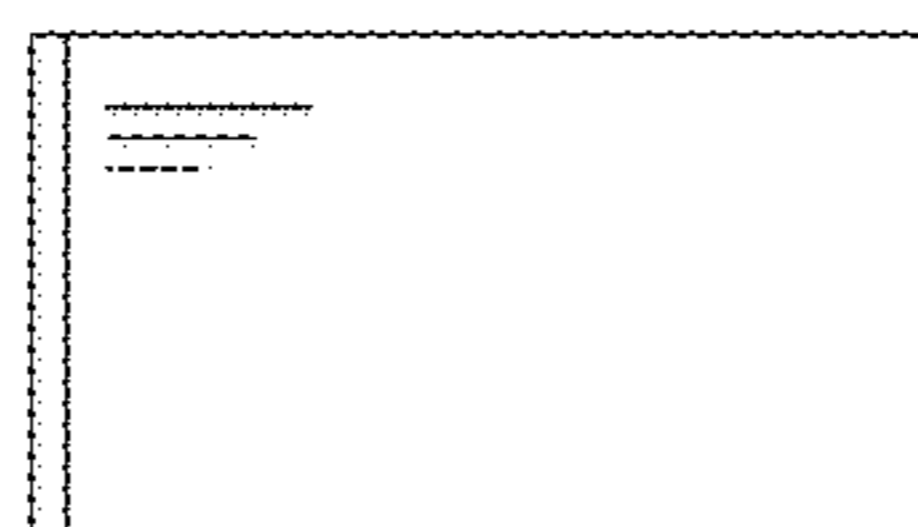


FIG. 14

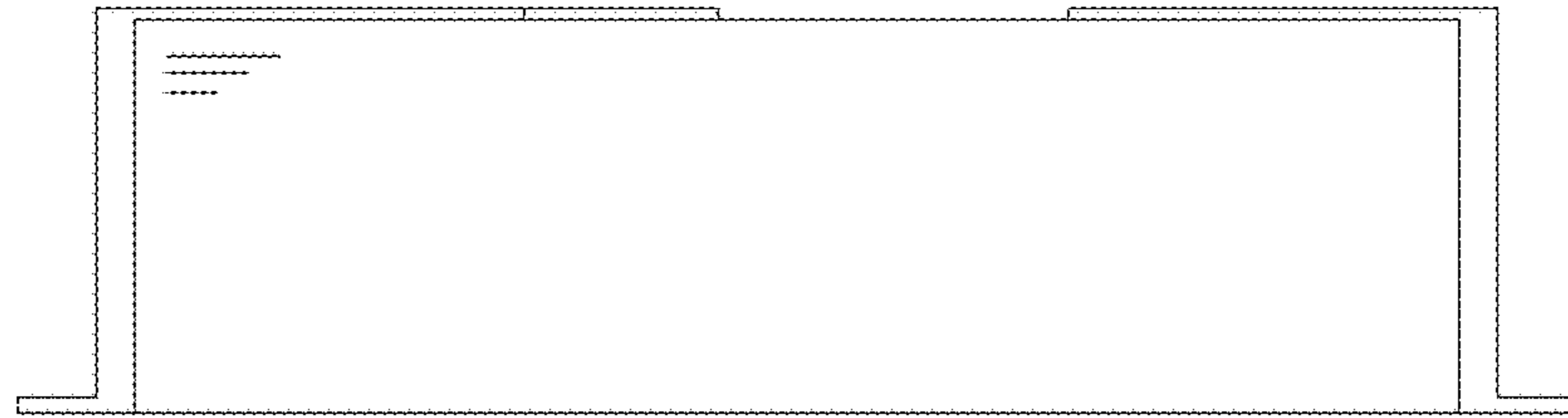


FIG. 15

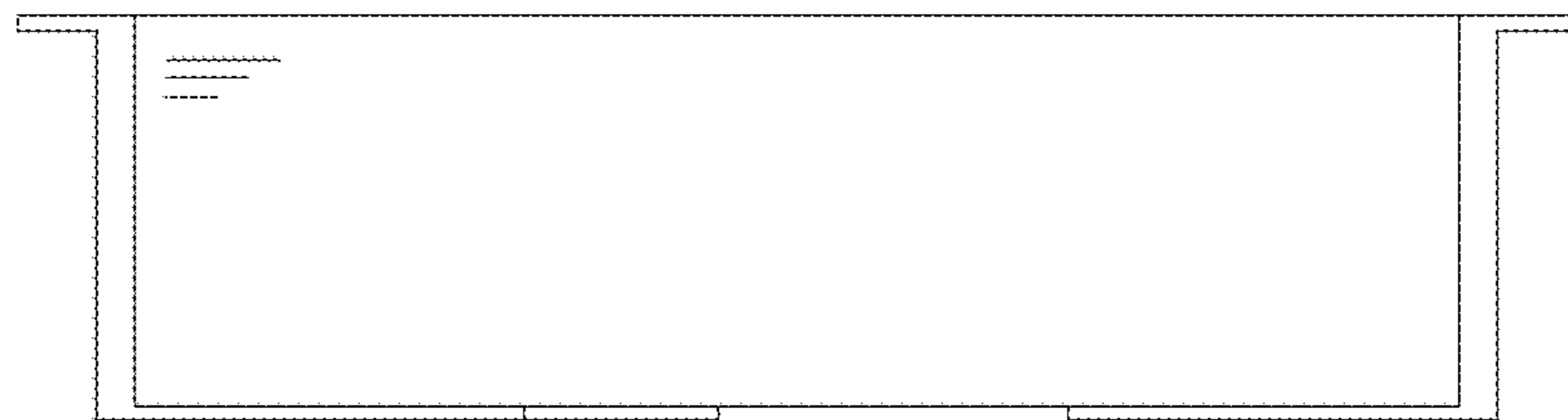


FIG. 16