



US00D865224S

(12) **United States Design Patent**
Harrison et al.

(10) **Patent No.:** **US D865,224 S**
(45) **Date of Patent:** **** Oct. 29, 2019**

(54) **SOUND BARRIER PANEL**

(71) Applicant: **SOUND FIGHTER SYSTEMS, LLC**,
Shreveport, LA (US)

(72) Inventors: **Patrick W. Harrison**, Shreveport, LA
(US); **Ben J. Burkett**, Shreveport, LA
(US); **Murray R. Stacy**, Flower
Mound, TX (US)

(73) Assignee: **Sound Fighter Systems, LLC**,
Shreveport, LA (US)

(**) Term: **15 Years**

(21) Appl. No.: **29/647,645**

(22) Filed: **May 15, 2018**

Related U.S. Application Data

(63) Continuation-in-part of application No. 15/354,537,
filed on Nov. 17, 2016.

(51) **LOC (12) Cl.** **25-01**

(52) **U.S. Cl.**
USPC **D25/155; D25/152**

(58) **Field of Classification Search**
USPC D25/119–125, 138–144, 164, 58,
D25/152–156; 181/210, 285
CPC E01F 8/0064; E01F 8/007; E01F 8/0076;
E01F 8/0088; E04B 1/8227; E04B
2/7414; E04B 2001/8423; E04B
2001/8433; E04B 2001/8447
See application file for complete search history.

(56) **References Cited**

U.S. PATENT DOCUMENTS

2,657,759 A * 11/1953 Creamer E04B 1/86
181/285
2,673,132 A * 3/1954 Alderman E04B 1/8218
297/174 R

(Continued)

OTHER PUBLICATIONS

Perforated Panels for Construction and Highway Noise Control
(on-line), dated Dec. 27, 2016. Retrieved from Internet Apr. 23,
2019, URL: <https://web.archive.org/web/20161227131803/https://www.perforated-metal.net/perforatedmetal/perforated-metal-sheet-noise-barrier.html> (1 page) (Year: 2016).*

Primary Examiner — Kevin K Rudzinski

Assistant Examiner — Kimberly Barnes

(74) *Attorney, Agent, or Firm* — Davis & Bujold PLLC;
Charles Holoubek

(57) **CLAIM**

The ornamental design for a sound barrier panel, as shown
and described.

DESCRIPTION

FIG. 1 is a top front perspective view of a sound barrier
panel showing our new design;

FIG. 2 is a top back perspective view of the sound barrier
panel of FIG. 1;

FIG. 3 is a front elevational view of the sound barrier panel
of FIG. 1;

FIG. 4 is a back elevational view of the sound barrier panel
of FIG. 1;

FIG. 5 is a right side elevational view of the sound barrier
panel of FIG. 1;

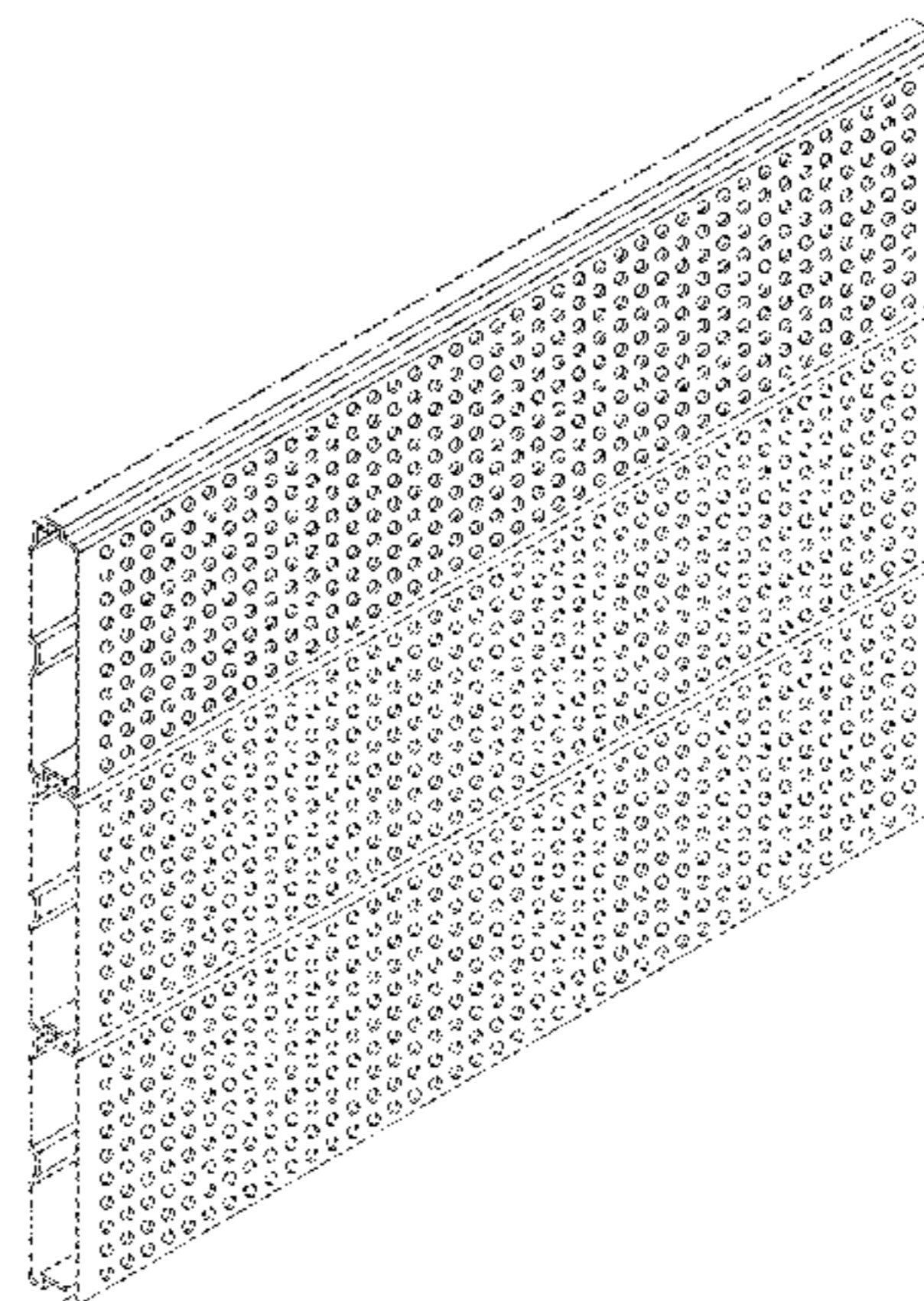
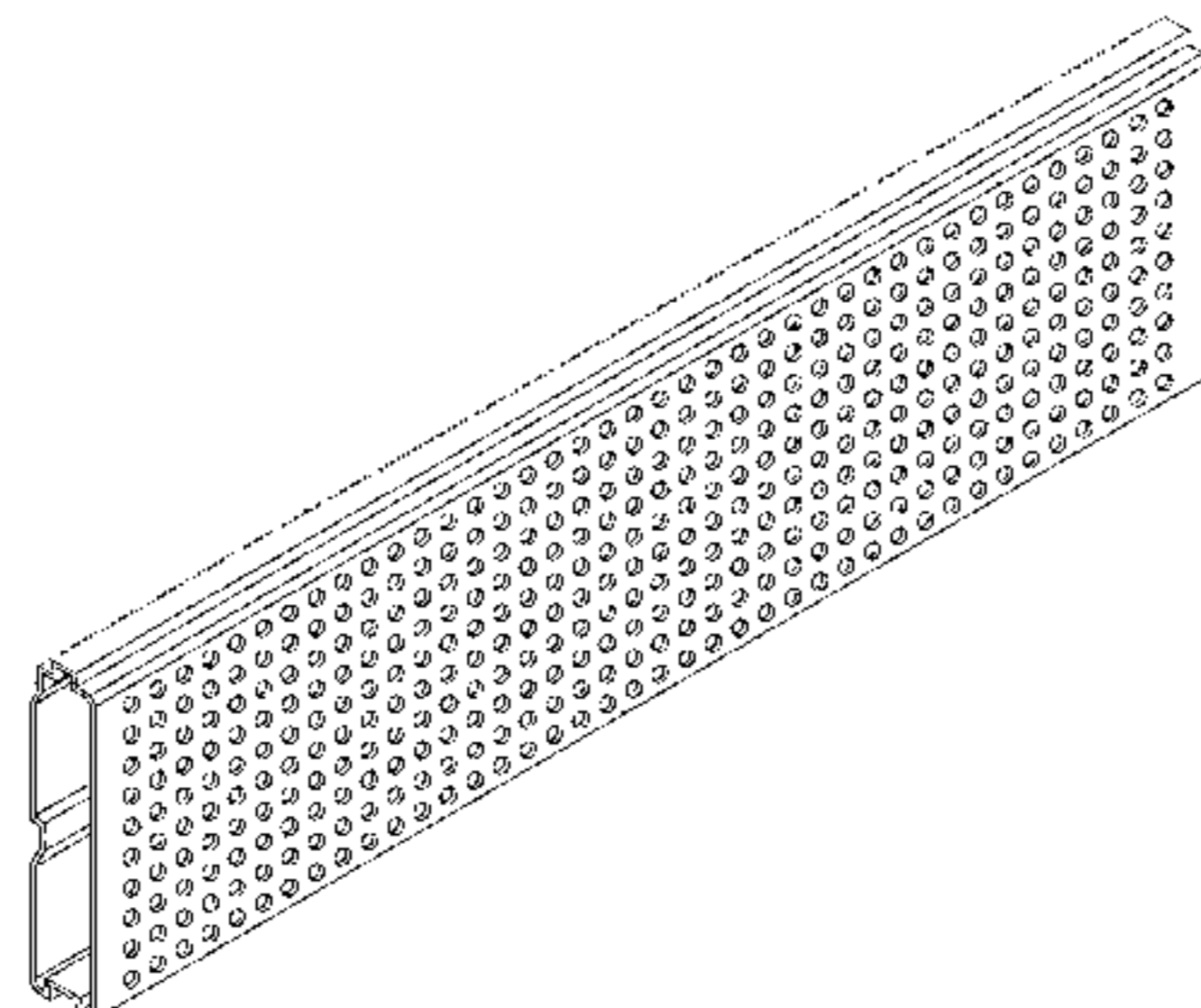
FIG. 6 is a left side elevational view of the sound barrier
panel of FIG. 1;

FIG. 7 is a top plan view of the sound barrier panel of FIG.
1;

FIG. 8 is a bottom plan view of the sound barrier panel of
FIG. 1; and,

FIG. 9 is a top front perspective view of the sound barrier
panel of FIG. 1 in a position of use, stacked to form a sound
barrier. The broken lines depicting two additional panels
illustrates environmental subject matter that forms no part of
the claimed design.

1 Claim, 7 Drawing Sheets



(56)

References Cited

U.S. PATENT DOCUMENTS

3,022,607 A * 2/1962 Toulmin, Jr. E04B 1/8409
181/290
3,656,576 A * 4/1972 Gubela E01F 8/007
181/210
4,050,538 A * 9/1977 Desenfant E01F 8/007
181/210
4,143,495 A * 3/1979 Hintz E01F 8/007
181/290
4,258,511 A * 3/1981 Strain E04B 1/8218
52/270
4,566,558 A * 1/1986 Link, Jr. E01F 8/007
180/290
5,272,284 A * 12/1993 Schmanski E01F 8/0011
181/210
5,438,171 A * 8/1995 Schmanski B29C 70/525
181/210
5,709,053 A * 1/1998 Kuroda B29B 17/0026
181/284
D406,363 S * 3/1999 Molnar D25/156
D410,291 S * 5/1999 Ito D25/156

D455,502 S * 4/2002 Forbis D25/126
D553,263 S * 10/2007 Kim D25/155
D560,823 S * 1/2008 Holland D25/122
D632,518 S * 2/2011 Schmidt D6/561
D702,860 S * 4/2014 Rice D25/119
8,955,281 B2 * 2/2015 Pietruczynik B29C 59/04
52/580
D757,303 S * 5/2016 Migeon D25/119
D782,709 S * 3/2017 Quintile D25/164
10,221,529 B1 * 3/2019 Sanders H02G 3/386
2003/0019170 A1 * 1/2003 Donnelly E01F 8/0011
52/144
2006/0070334 A1 * 4/2006 Moser, III B62D 25/02
52/592.6
2007/0056224 A1 * 3/2007 Meisel E01F 8/007
52/145
2007/0131480 A1 * 6/2007 Corbin, Jr. B64F 1/26
181/210
2010/0243369 A1 * 9/2010 Fusiek E01F 8/007
181/210
2017/0137585 A1 * 5/2017 Heikkila C08J 5/08
2018/0137850 A1 * 5/2018 Harrison G10K 11/168

* cited by examiner

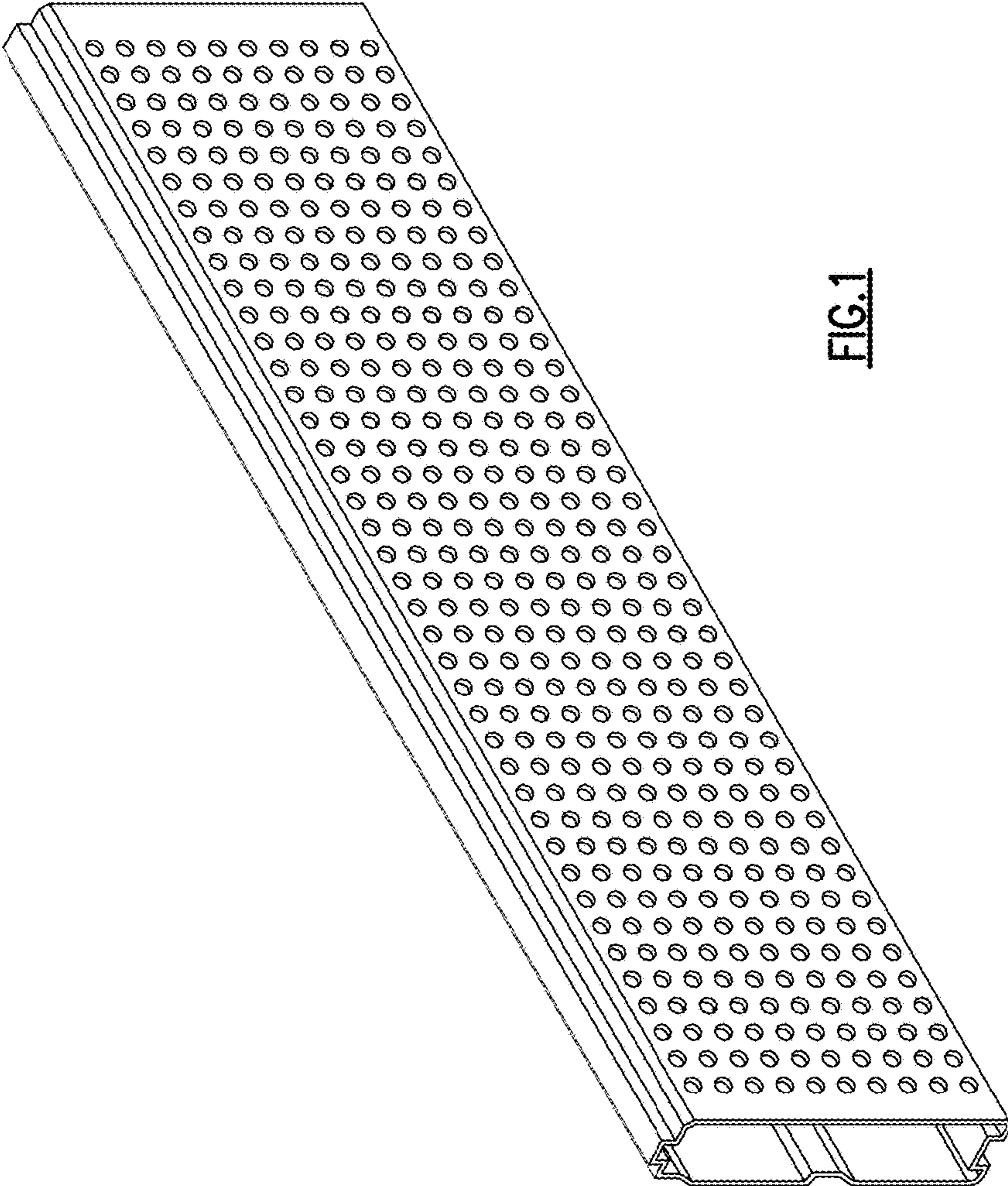


FIG. 1

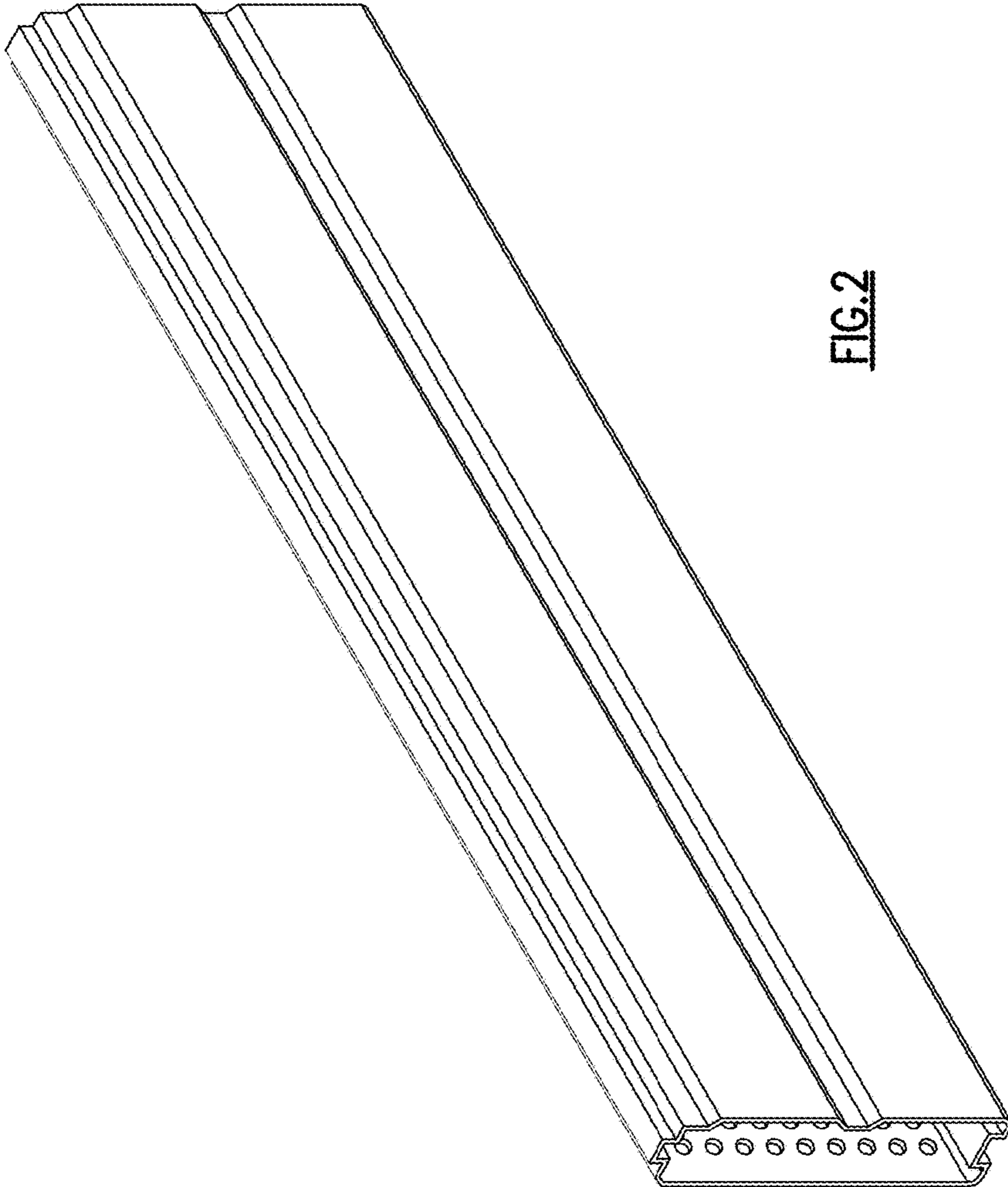


FIG. 2

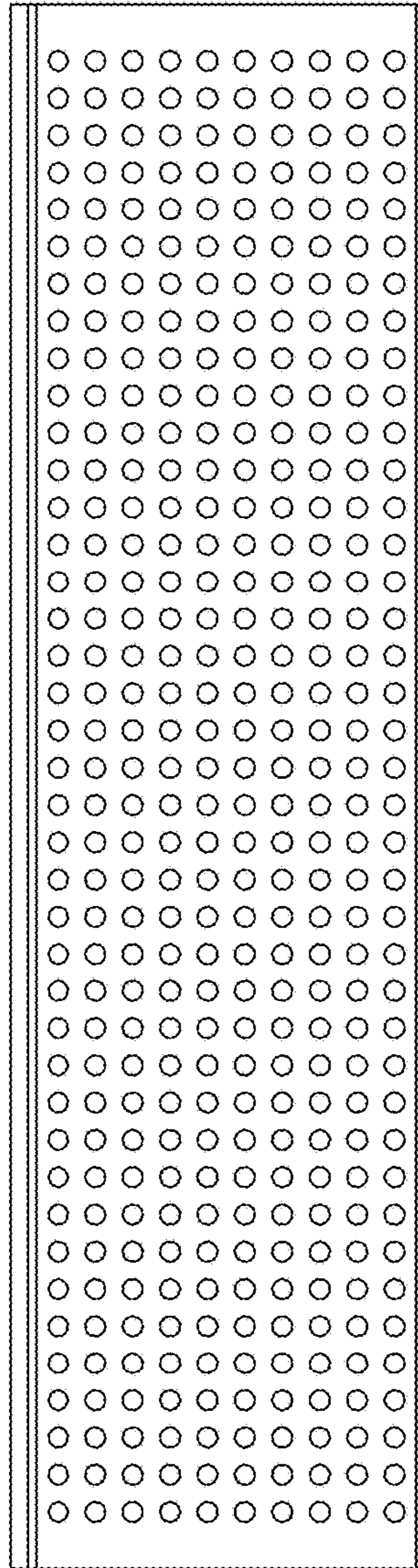


FIG. 3

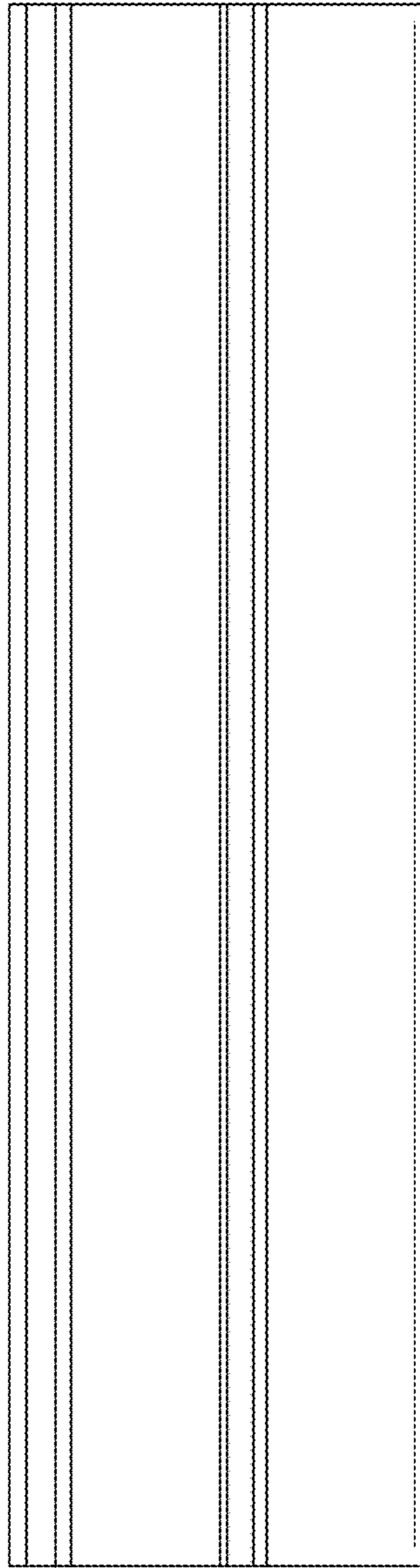


FIG. 4

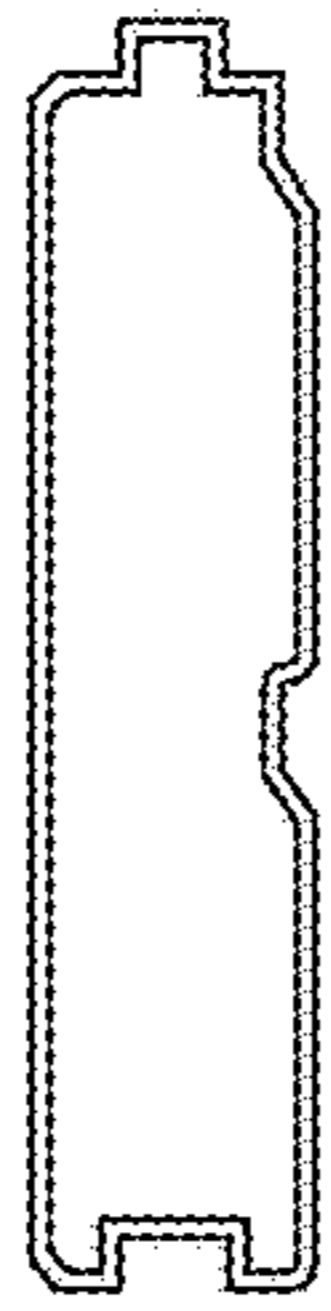


FIG. 5

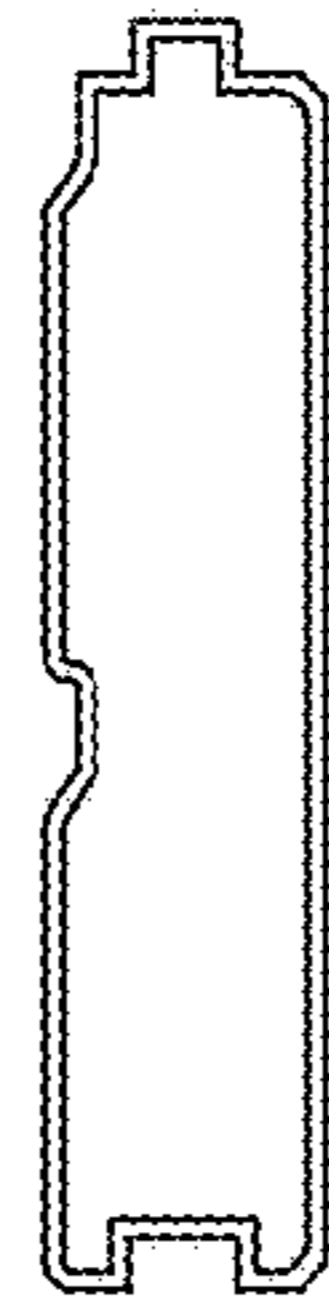


FIG. 6

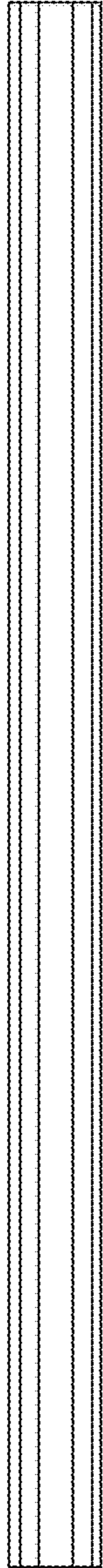


FIG. 7

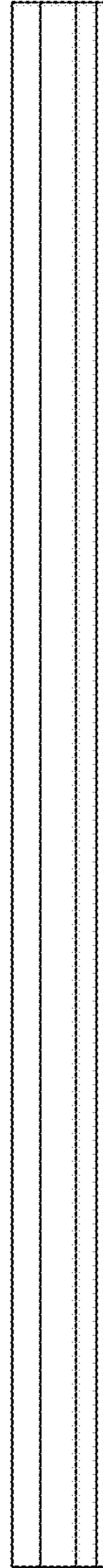


FIG. 8

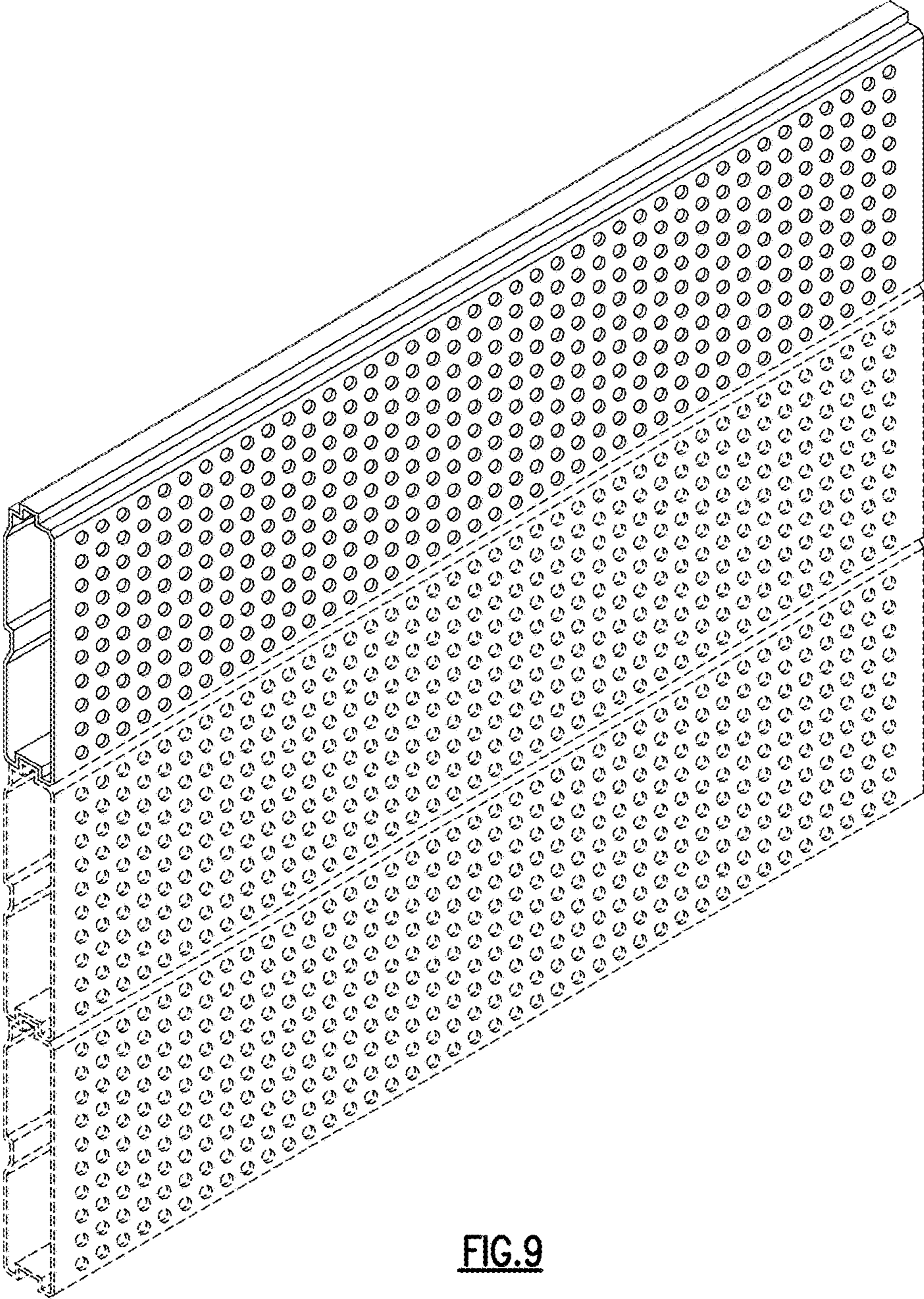


FIG.9