



US00D865222S

(12) **United States Design Patent**  
**Cai et al.**

(10) **Patent No.:** **US D865,222 S**  
(45) **Date of Patent:** **\*\* Oct. 29, 2019**

(54) **MODULAR DISPLAY SUPPORT FRAME**

(71) Applicant: **ROE Visual Co., Ltd.**, Shenzhen, Guangdong (CN)

(72) Inventors: **Danhu Cai**, Guangdong (CN); **Zhanqiang Li**, Guangdong (CN); **Xuhua Jiang**, Guangdong (CN); **Hong Zhang**, Guangdong (CN)

(73) Assignee: **ROE Visual Co., Ltd.**, Shenzhen (CN)

(\*\*) Term: **15 Years**

(21) Appl. No.: **29/589,323**

(22) Filed: **Dec. 30, 2016**

(30) **Foreign Application Priority Data**

Jul. 13, 2016 (CN) ..... 2016 3 0319432

(51) **LOC (12) Cl.** ..... **25-02**

(52) **U.S. Cl.**  
USPC ..... **D25/61**

(58) **Field of Classification Search**  
USPC ..... D8/355, 349, 354; D14/224, 299;  
D25/66, 62, 61, 12

(Continued)

(56) **References Cited**

**U.S. PATENT DOCUMENTS**

2,940,606 A \* 6/1960 Kurnitz ..... A47F 5/105  
211/175  
3,001,615 A \* 9/1961 Ries ..... E04B 2/76  
403/230

(Continued)

*Primary Examiner* — Eliza Z Bennett-Hattan

(57) **CLAIM**

The ornamental design for a modular display support frame, as shown and described.

**DESCRIPTION**

FIG. 1 is a front elevational view of a first embodiment of a modular display support frame showing our new design;

FIG. 2 is a rear elevational view of FIG. 1;  
FIG. 3 is a left side view of FIG. 1;  
FIG. 4 is a right side view of FIG. 1;  
FIG. 5 is a top plan view of FIG. 1;  
FIG. 6 is a bottom plan view of FIG. 1;  
FIG. 7 is a first perspective view of FIG. 1;  
FIG. 8 is an enlarged view of portion 8 of FIG. 7;  
FIG. 9 is an enlarged view of portion 9 of FIG. 7;  
FIG. 10 is an enlarged view of portion 10 of FIG. 7;  
FIG. 11 is a second perspective view of FIG. 1;  
FIG. 12 is an enlarged view of portion 12 of FIG. 11;  
FIG. 13 is an enlarged view of portion 13 of FIG. 11;  
FIG. 14 is an enlarged view of portion 14 of FIG. 11;  
FIG. 15 is a third perspective view of FIG. 1;  
FIG. 16 is an enlarged view of portion 16 of FIG. 15;  
FIG. 17 is an enlarged view of portion 17 of FIG. 15;  
FIG. 18 is an enlarged view of portion 18 of FIG. 15;  
FIG. 19 is an enlarged view of portion 19 of FIG. 15;  
FIG. 20 is a fourth perspective view of FIG. 1;  
FIG. 21 is an enlarged view of portion 21 of FIG. 20;  
FIG. 22 is an enlarged view of portion 22 of FIG. 20;  
FIG. 23 is an enlarged view of portion 23 of FIG. 20;  
FIG. 24 is an enlarged view of portion 24 of FIG. 20;  
FIG. 25 is a fifth perspective view of FIG. 1;  
FIG. 26 is an enlarged view of portion 26 of FIG. 25;  
FIG. 27 is an enlarged view of portion 27 of FIG. 25;  
FIG. 28 is an enlarged view of portion 28 of FIG. 25;  
FIG. 29 is an enlarged view of portion 29 of FIG. 25;  
FIG. 30 is a sixth perspective view of FIG. 1;  
FIG. 31 is an enlarged view of portion 31 of FIG. 30;  
FIG. 32 is an enlarged view of portion 32 of FIG. 30;  
FIG. 33 is an enlarged view of portion 33 of FIG. 30;  
FIG. 34 is an enlarged view of portion 34 of FIG. 30;  
FIG. 35 is an enlarged view of portion 35 of FIG. 30;  
FIG. 36 is a rear elevational view of a second embodiment of the modular display support frame;  
FIG. 37 is a front elevational view of FIG. 36;  
FIG. 38 is a left side view of FIG. 36;  
FIG. 39 is a right side view of FIG. 36;  
FIG. 40 is a top plan view of FIG. 36;  
FIG. 41 is a bottom plan view of FIG. 36;  
FIG. 42 is a first perspective view of FIG. 36;  
FIG. 43 is an enlarged view of portion 43 of FIG. 42;

(Continued)

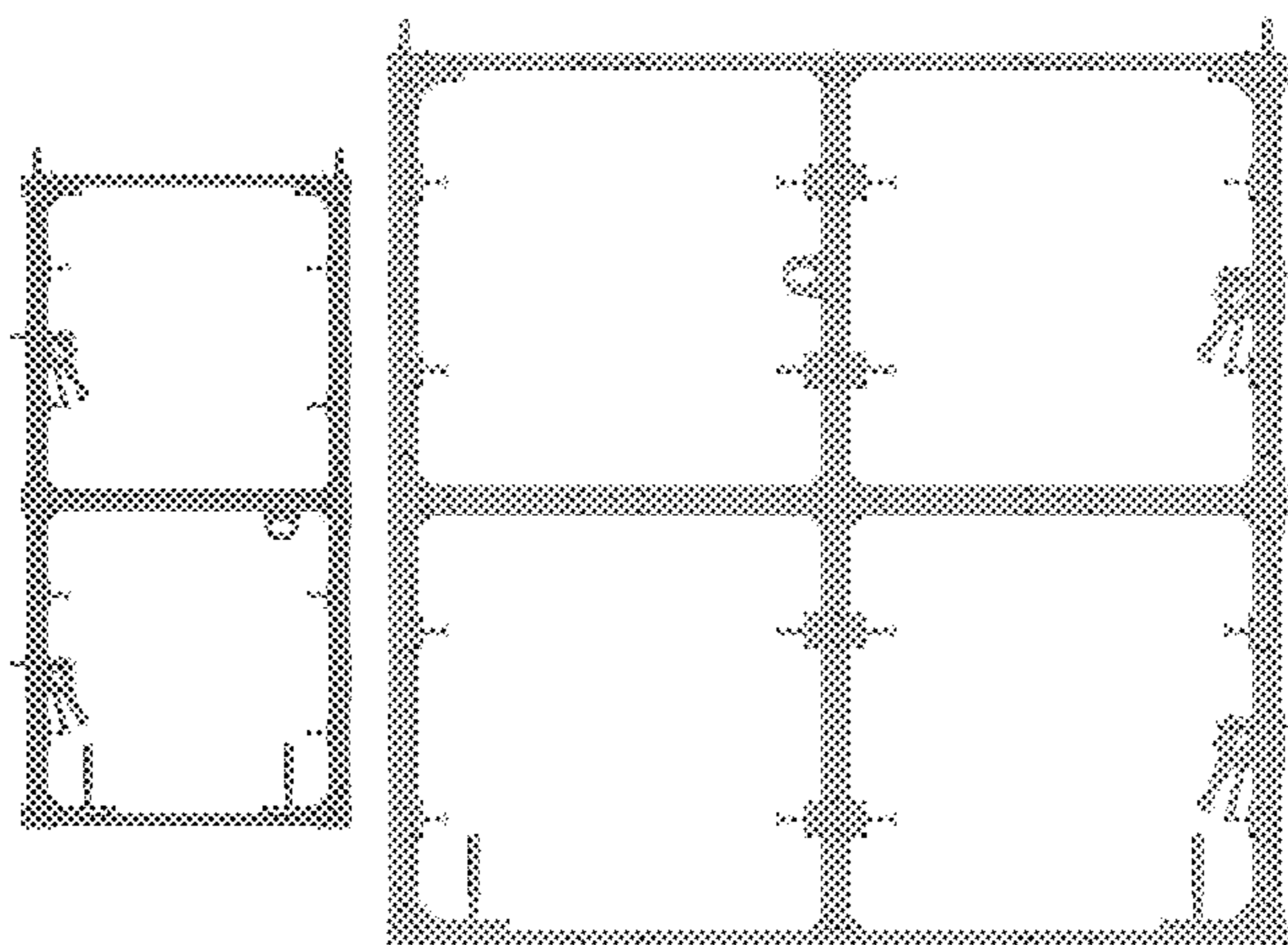


FIG. 44 is an enlarged view of portion 44 of FIG. 42;  
 FIG. 45 is an enlarged view of portion 45 of FIG. 42;  
 FIG. 46 is a second perspective view of FIG. 36;  
 FIG. 47 is an enlarged view of portion 47 of FIG. 46;  
 FIG. 48 is an enlarged view of portion 48 of FIG. 46;  
 FIG. 49 is an enlarged view of portion 49 of FIG. 46;  
 FIG. 50 is an enlarged view of portion 50 of FIG. 46;  
 FIG. 51 is an enlarged view of portion 51 of FIG. 46;  
 FIG. 52 is a third perspective view of FIG. 36;  
 FIG. 53 is an enlarged view of portion 53 of FIG. 52;  
 FIG. 54 is an enlarged view of portion 54 of FIG. 52;  
 FIG. 55 is an enlarged view of portion 55 of FIG. 52;  
 FIG. 56 is an enlarged view of portion 56 of FIG. 52;  
 FIG. 57 is an enlarged view of portion 57 of FIG. 52;  
 FIG. 58 is a fourth perspective view of FIG. 36;  
 FIG. 59 is an enlarged view of portion 59 of FIG. 58;  
 FIG. 60 is an enlarged view of portion 60 of FIG. 58;  
 FIG. 61 is an enlarged view of portion 61 of FIG. 58;  
 FIG. 62 is an enlarged view of portion 62 of FIG. 58;  
 FIG. 63 is an enlarged view of portion 63 of FIG. 58;  
 FIG. 64 is a fifth perspective view of FIG. 36;  
 FIG. 65 is an enlarged view of portion 65 of FIG. 64;  
 FIG. 66 is an enlarged view of portion 66 of FIG. 64;  
 FIG. 67 is an enlarged view of portion 67 of FIG. 64;  
 FIG. 68 is an enlarged view of portion 68 of FIG. 64;  
 FIG. 69 is a front elevational view of a third embodiment of the modular display support frame;  
 FIG. 70 is a rear elevational view of FIG. 69;  
 FIG. 71 is a left side view of FIG. 69;  
 FIG. 72 is a right side view of FIG. 69;  
 FIG. 73 is a bottom plan view of FIG. 69;  
 FIG. 74 is a top plan view of FIG. 69;  
 FIG. 75 is a first perspective view of FIG. 69;  
 FIG. 76 is an enlarged view of portion 76 of FIG. 75;  
 FIG. 77 is an enlarged view of portion 77 of FIG. 75;

FIG. 78 is an enlarged view of portion 78 of FIG. 75;  
 FIG. 79 is an enlarged view of portion 79 of FIG. 75;  
 FIG. 80 is an enlarged view of portion 80 of FIG. 75;  
 FIG. 81 is an enlarged view of portion 81 of FIG. 75;  
 FIG. 82 is a second perspective view of FIG. 69;  
 FIG. 83 is an enlarged view of portion 83 of FIG. 82;  
 FIG. 84 is an enlarged view of portion 84 of FIG. 82;  
 FIG. 85 is an enlarged view of portion 85 of FIG. 82;  
 FIG. 86 is an enlarged view of portion 86 of FIG. 82;  
 FIG. 87 is an enlarged view of portion 87 of FIG. 82; and,  
 FIG. 88 is an enlarged view of portion 88 of FIG. 82.

**1 Claim, 88 Drawing Sheets**

(58) **Field of Classification Search**

CPC ..... E04B 1/343  
 See application file for complete search history.

(56) **References Cited**

U.S. PATENT DOCUMENTS

3,146,864 A \* 9/1964 Nystrom ..... E04B 1/24  
 403/231  
 4,129,975 A \* 12/1978 Gabriel ..... A63H 33/101  
 52/655.2  
 D596,316 S \* 7/2009 Bateman ..... D25/61  
 D600,829 S \* 9/2009 Munakata ..... D25/126  
 D600,830 S \* 9/2009 Munakata ..... D25/126  
 D600,831 S \* 9/2009 Munakata ..... D25/126  
 D663,043 S \* 7/2012 Preston ..... D25/66  
 D758,614 S \* 6/2016 Lundell ..... D25/61  
 D785,205 S \* 4/2017 Ramphos ..... D25/38.1  
 D785,206 S \* 4/2017 Ramphos ..... D25/38.1  
 D805,656 S \* 12/2017 Huizinga ..... D25/61  
 D811,619 S \* 2/2018 Ramphos ..... D25/66

\* cited by examiner

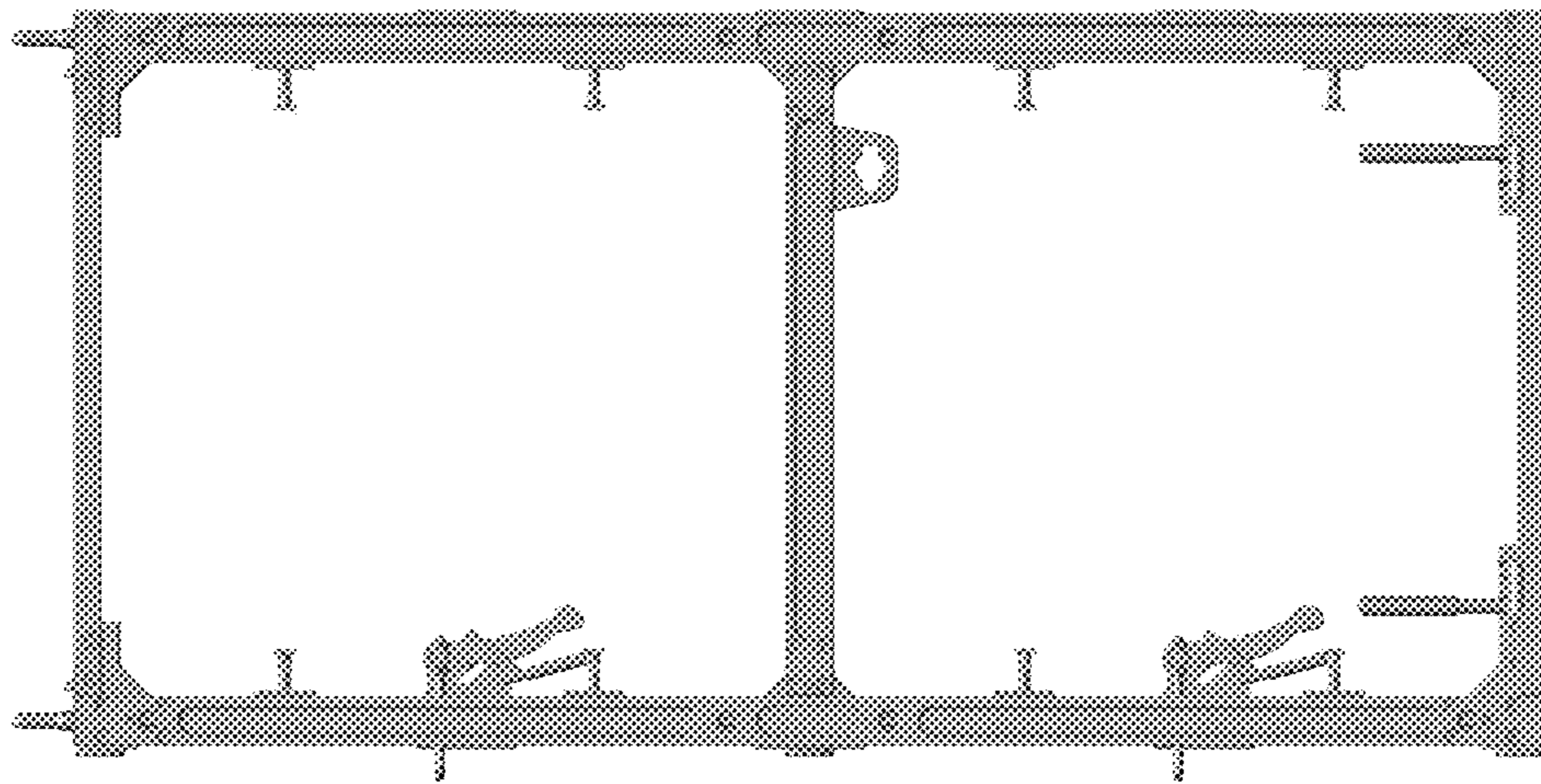


Fig. 1

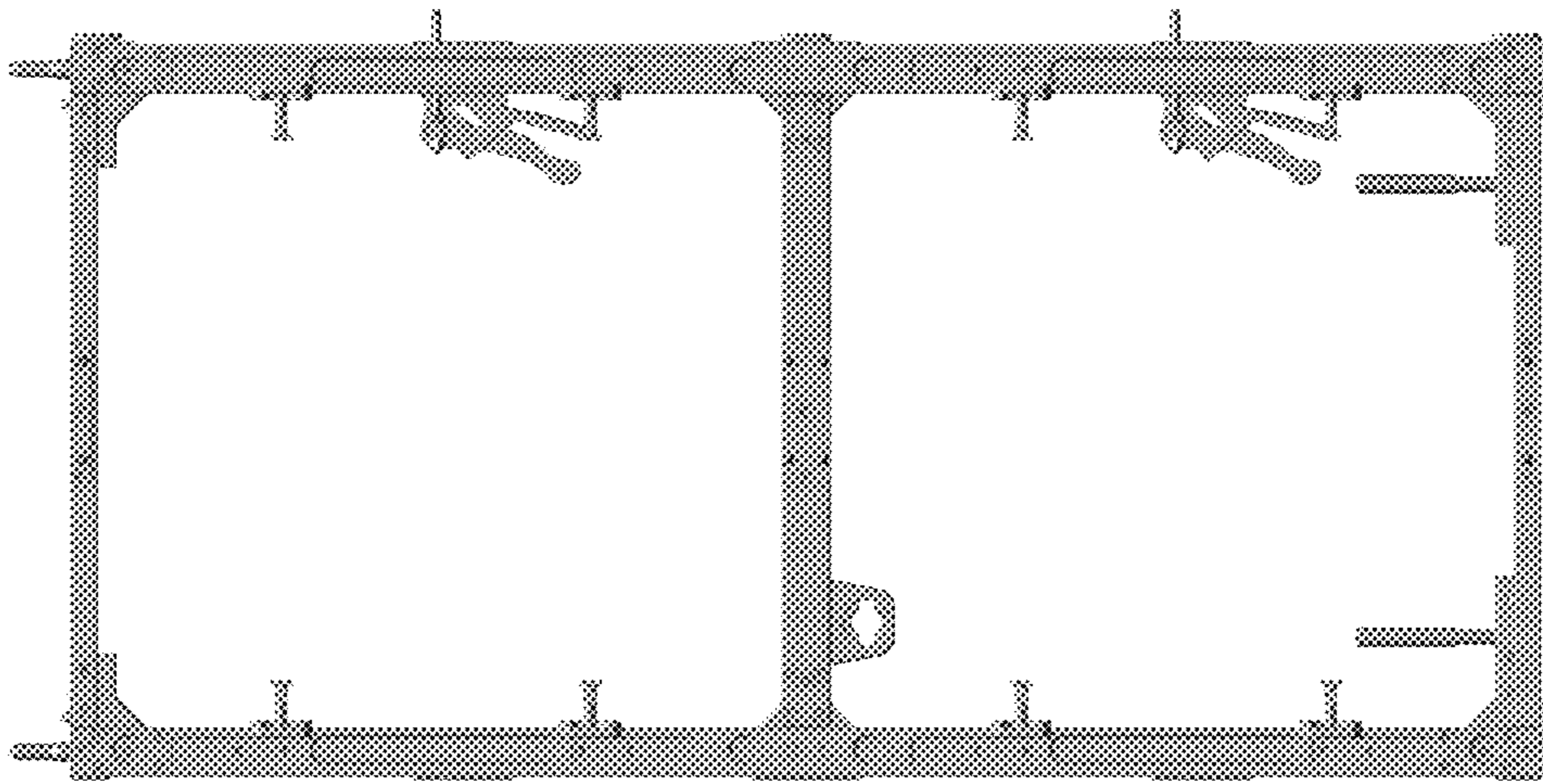


Fig. 2



Fig. 3



Fig. 4

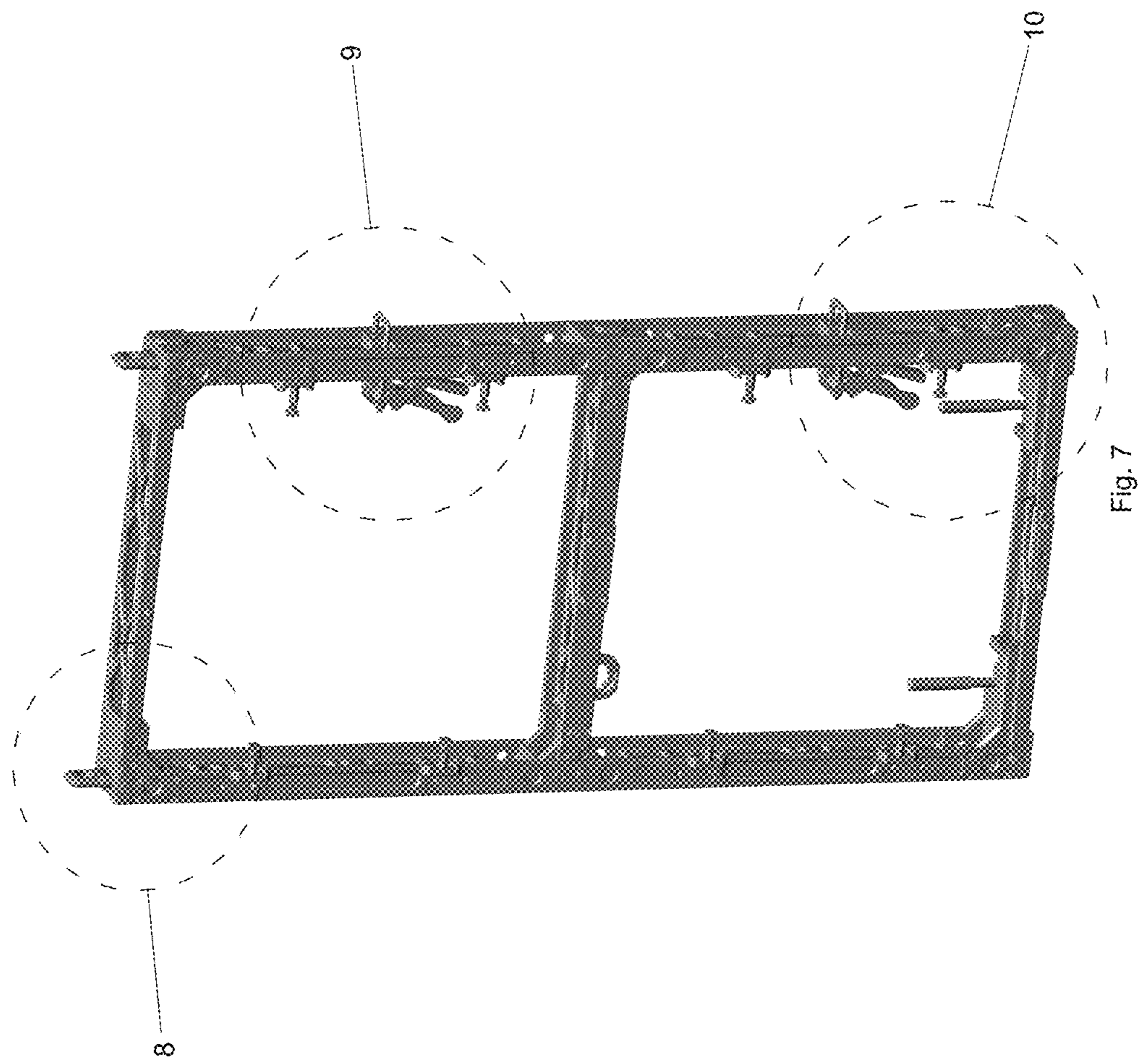


Fig. 5



Fig. 6





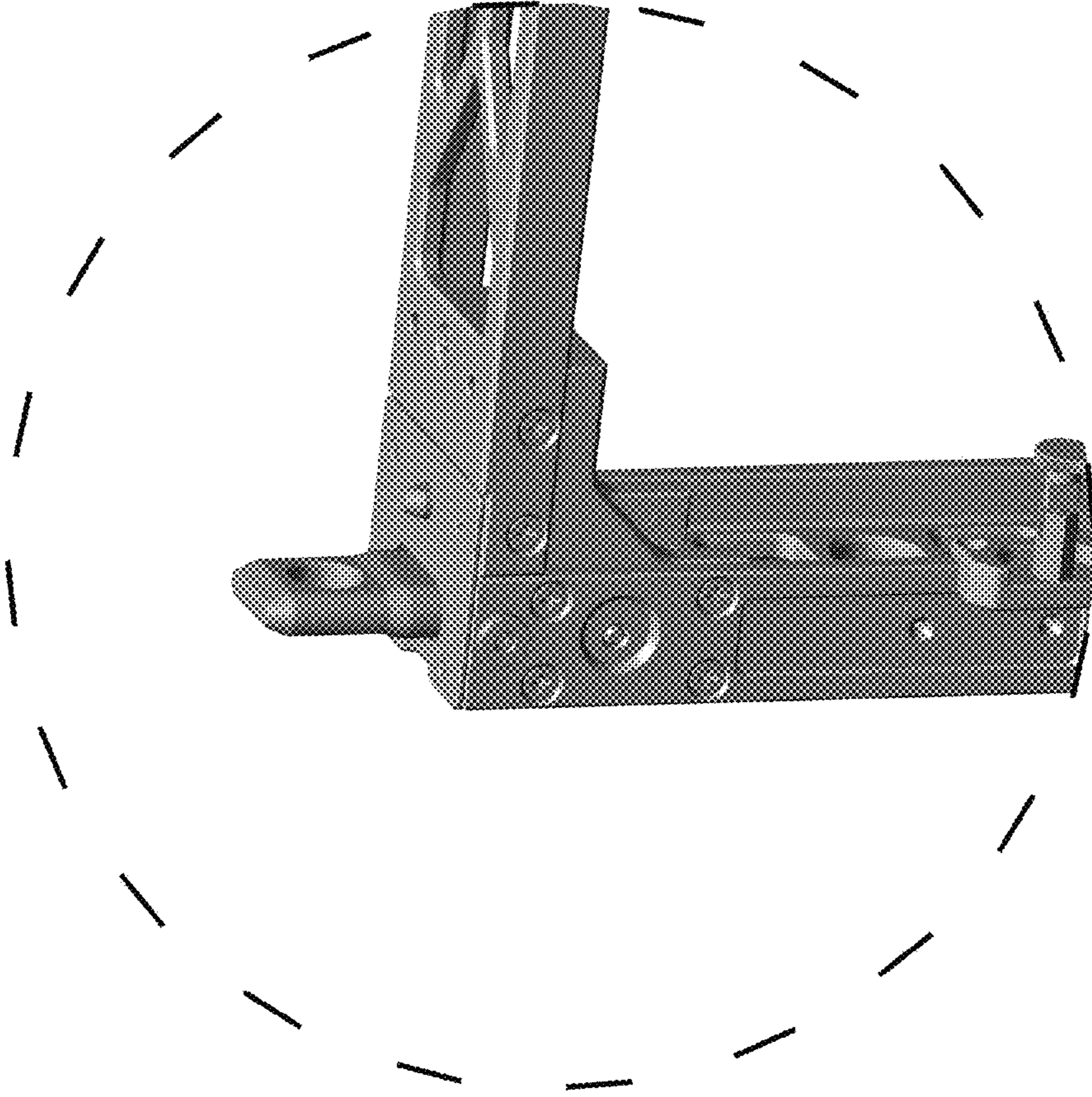


Fig. 8

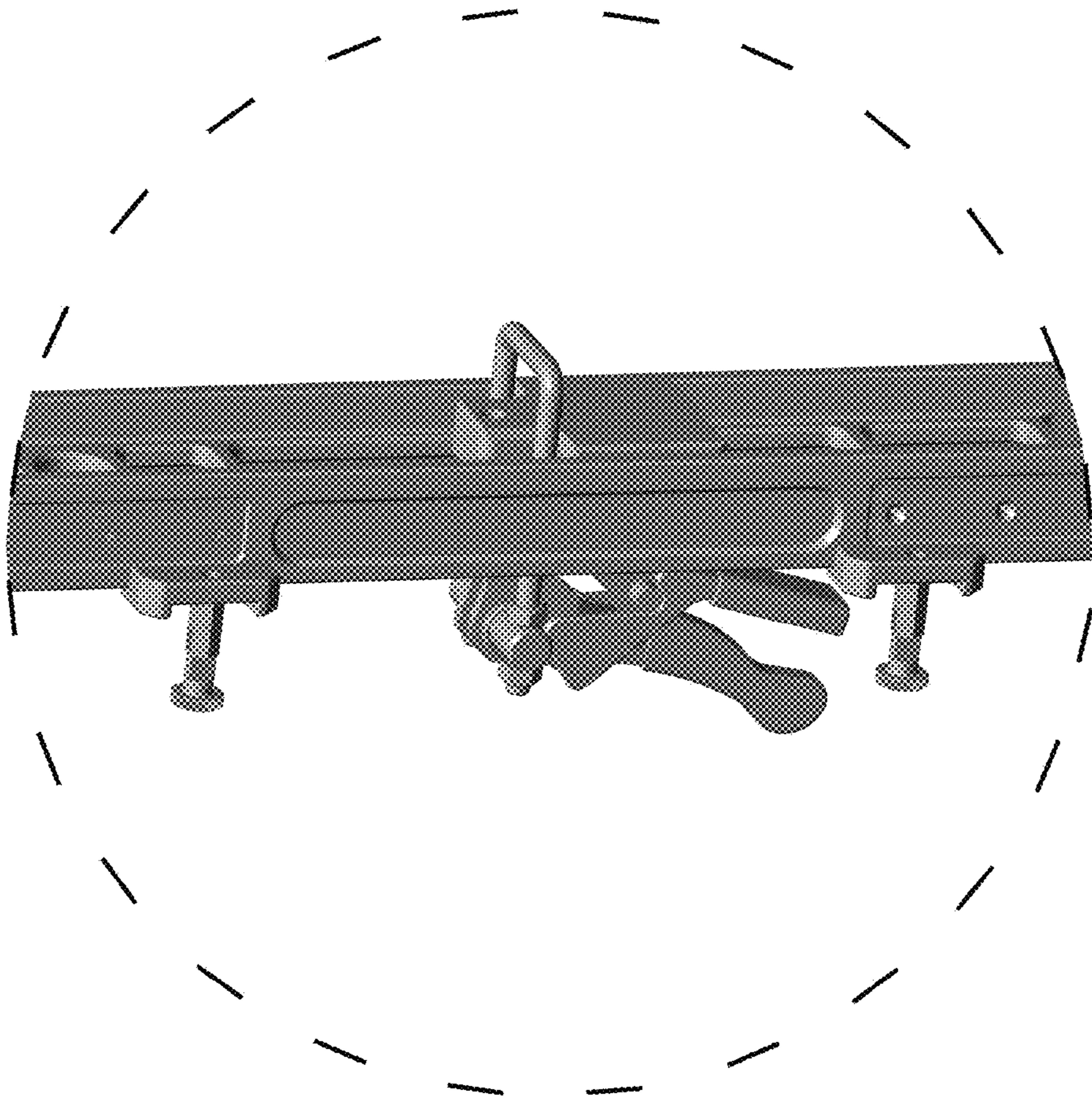


Fig. 9



Fig. 10

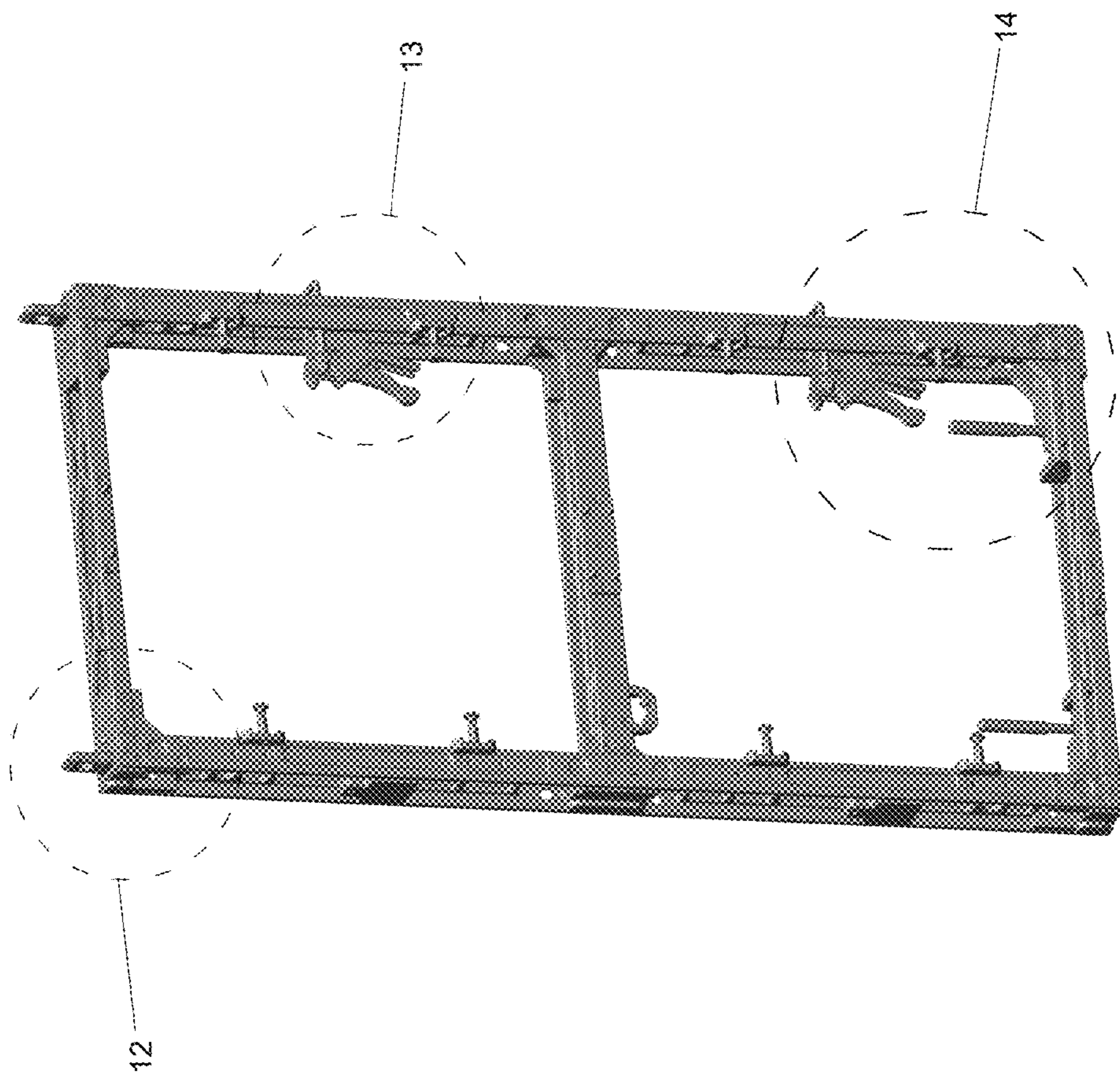


Fig. 11

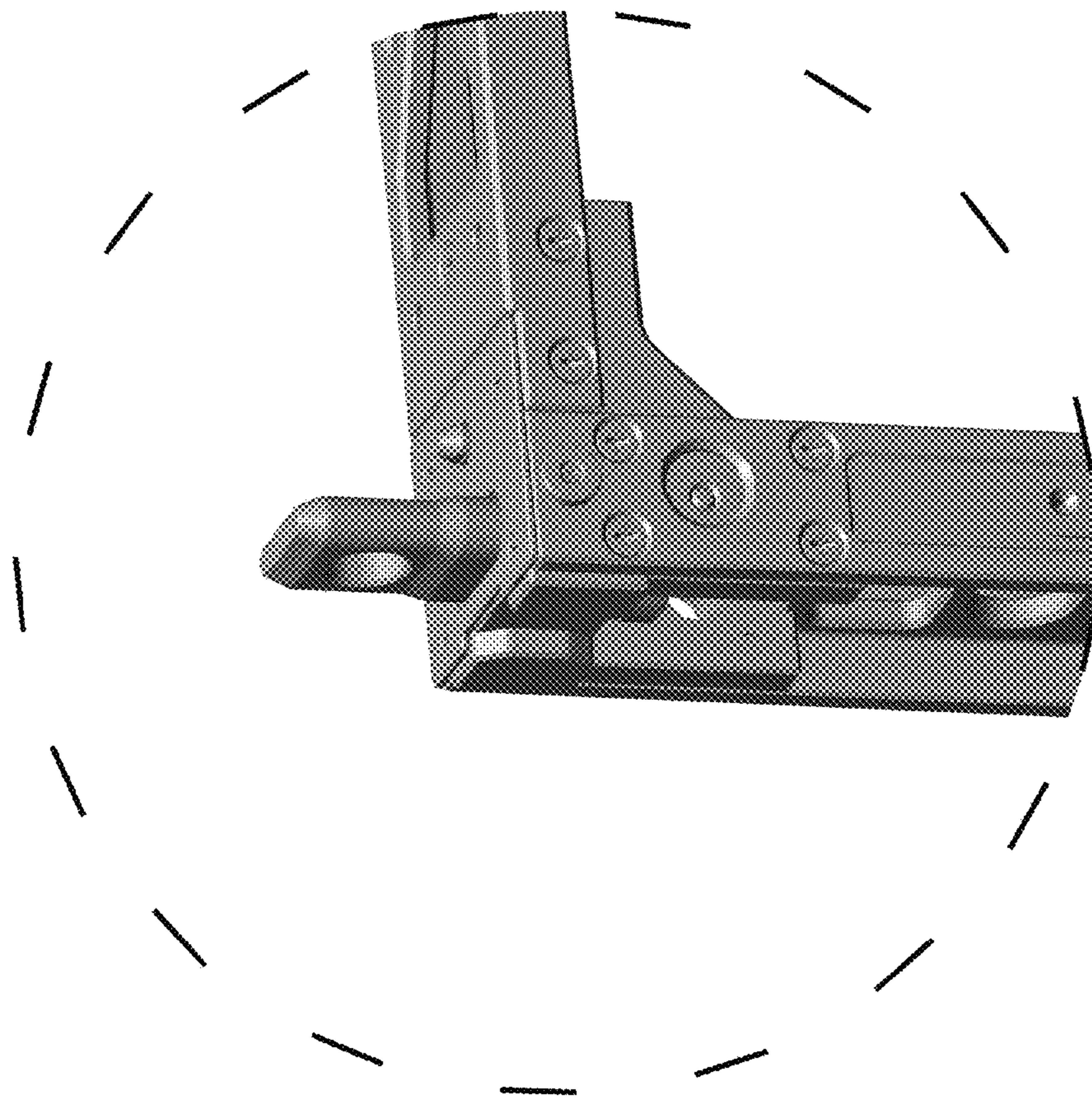


Fig. 12

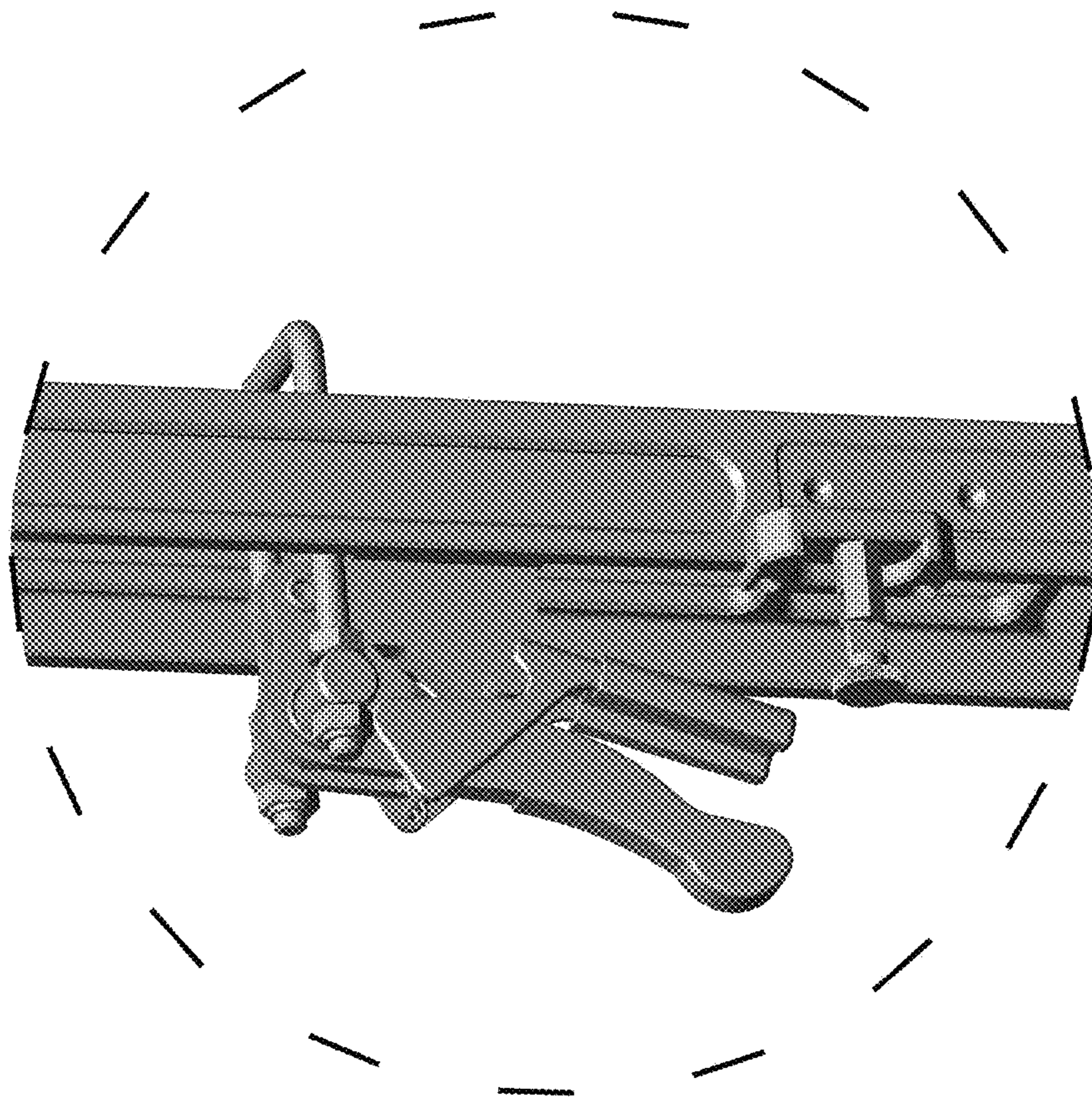


Fig. 13

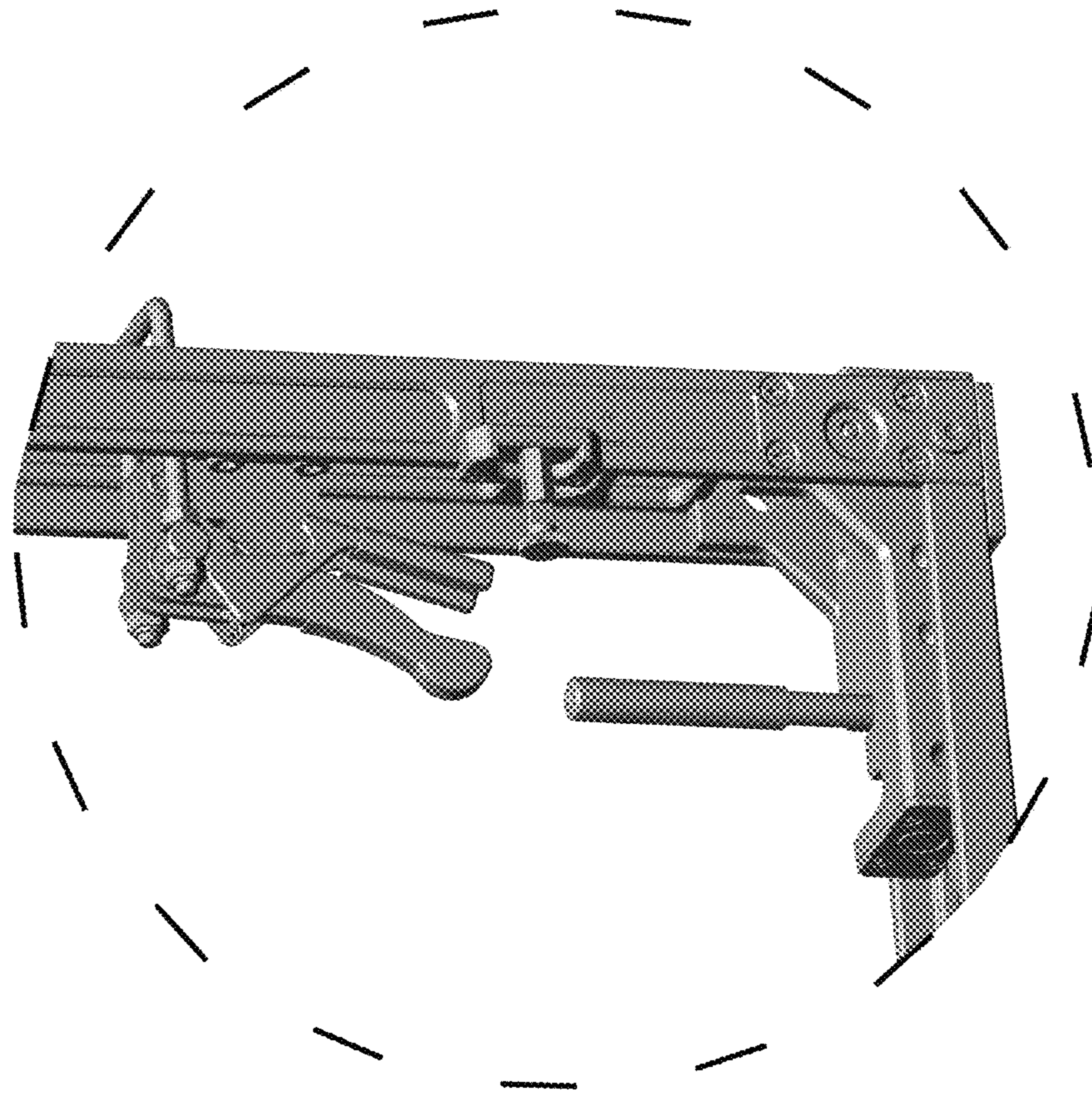


Fig. 14



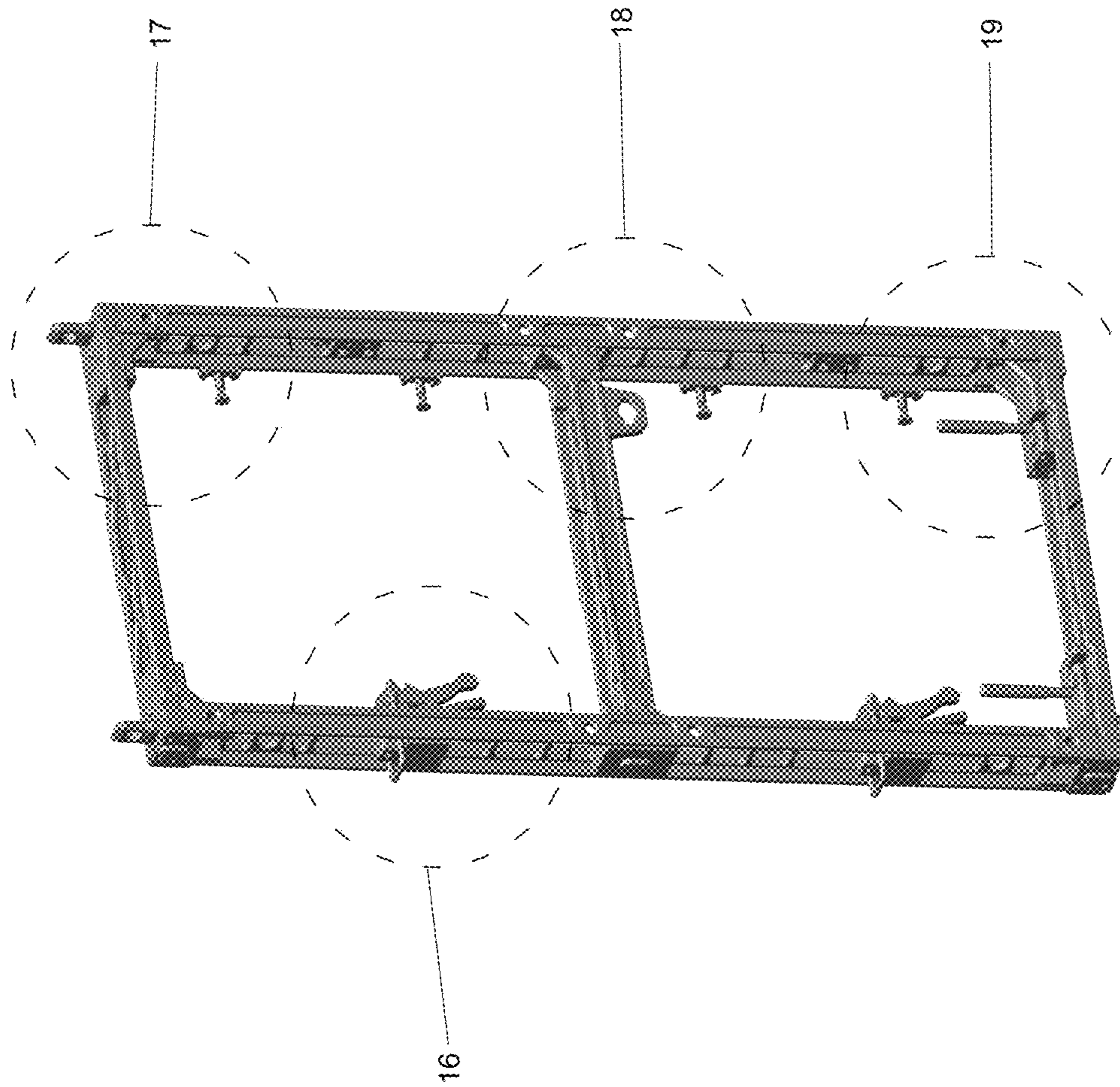


Fig. 15

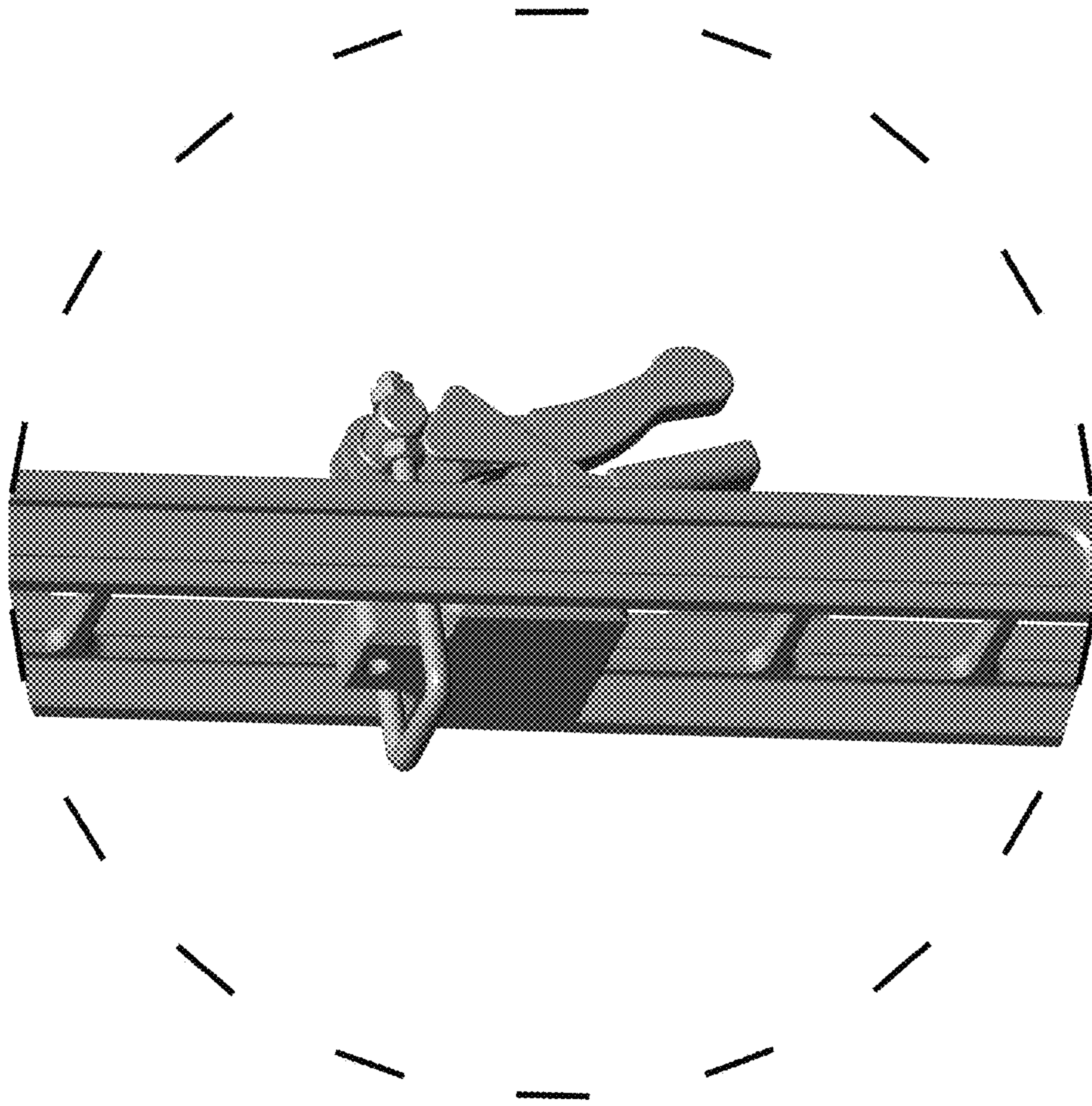


Fig. 16

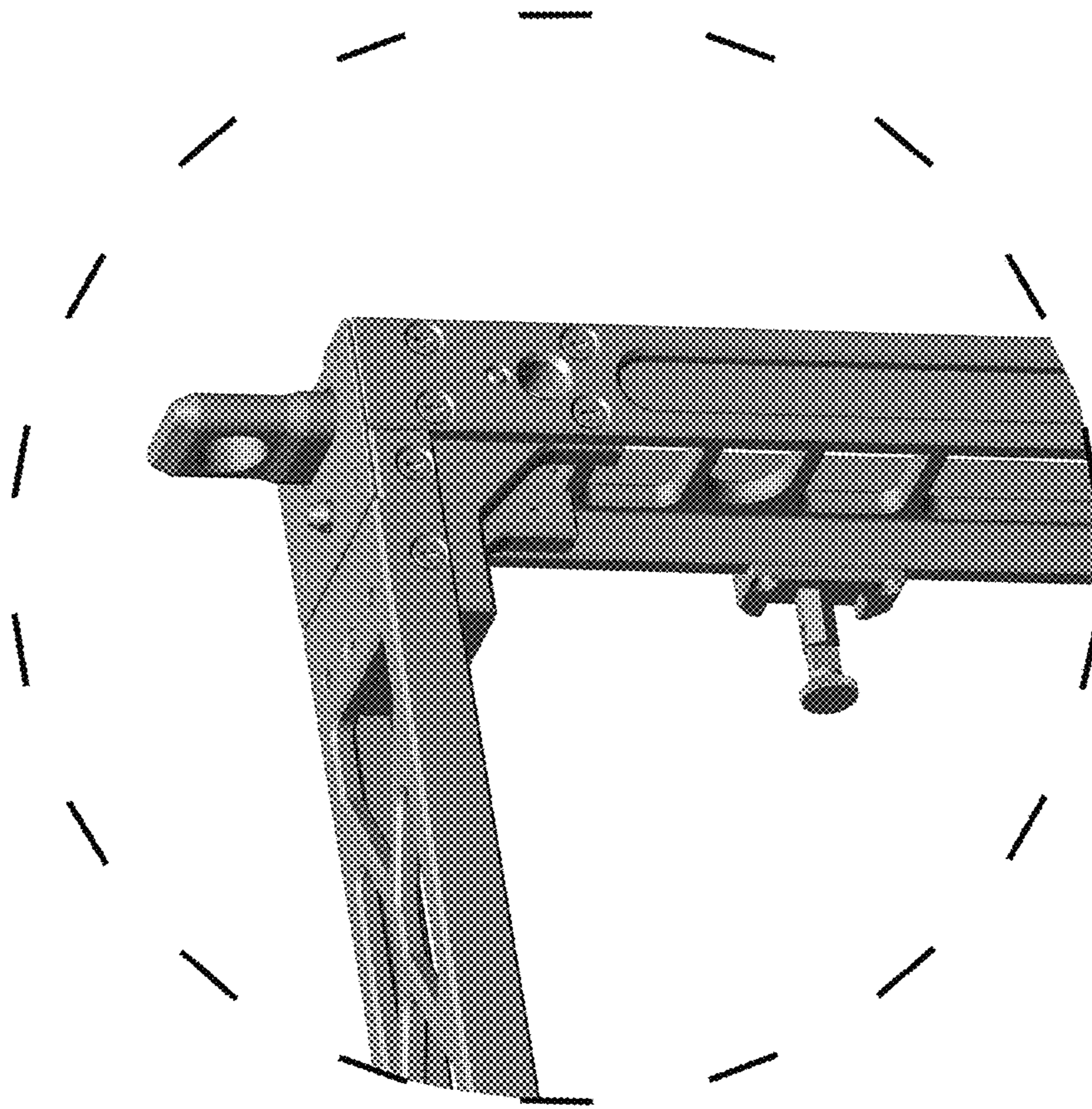


Fig. 17

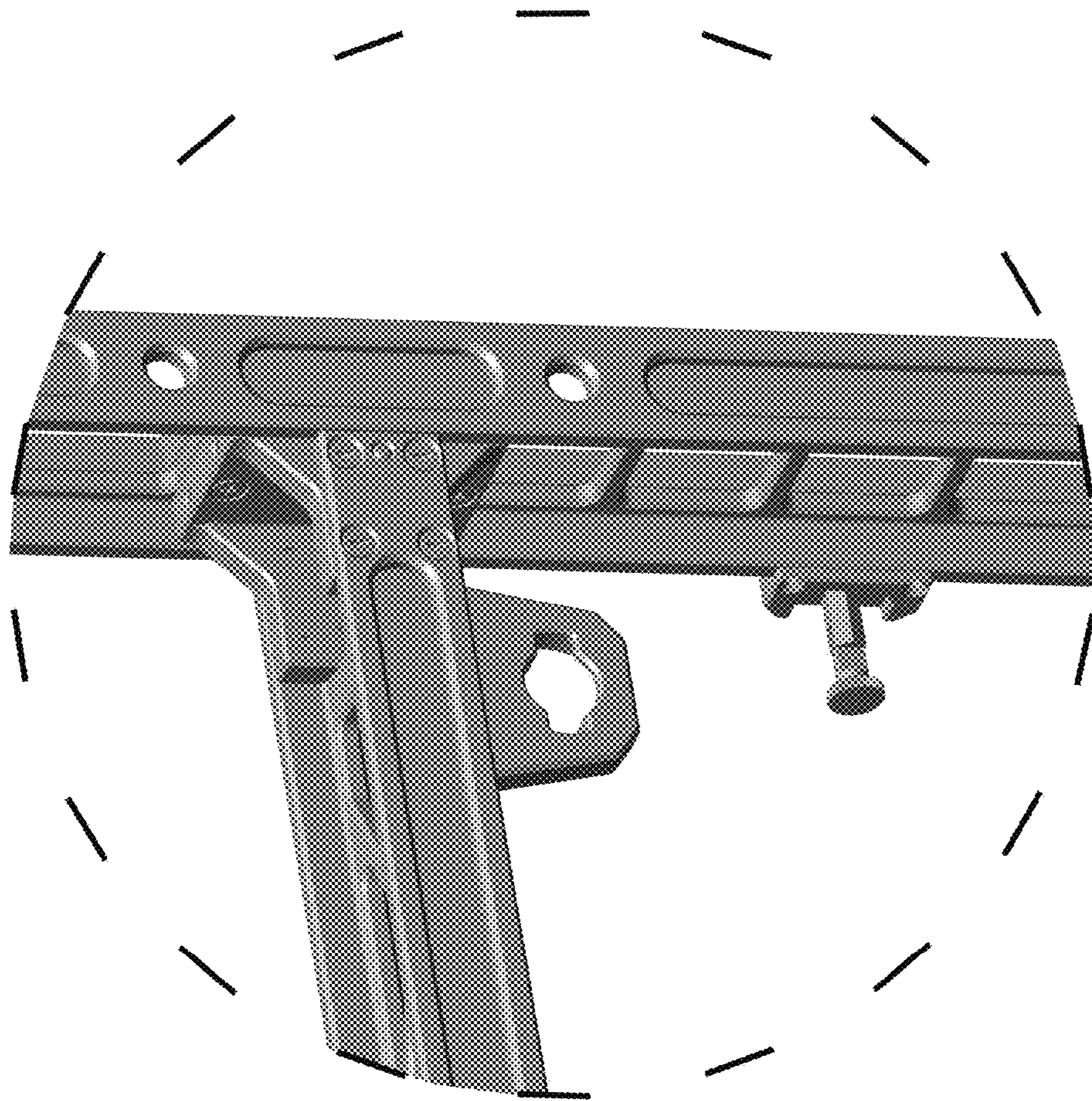


Fig. 18

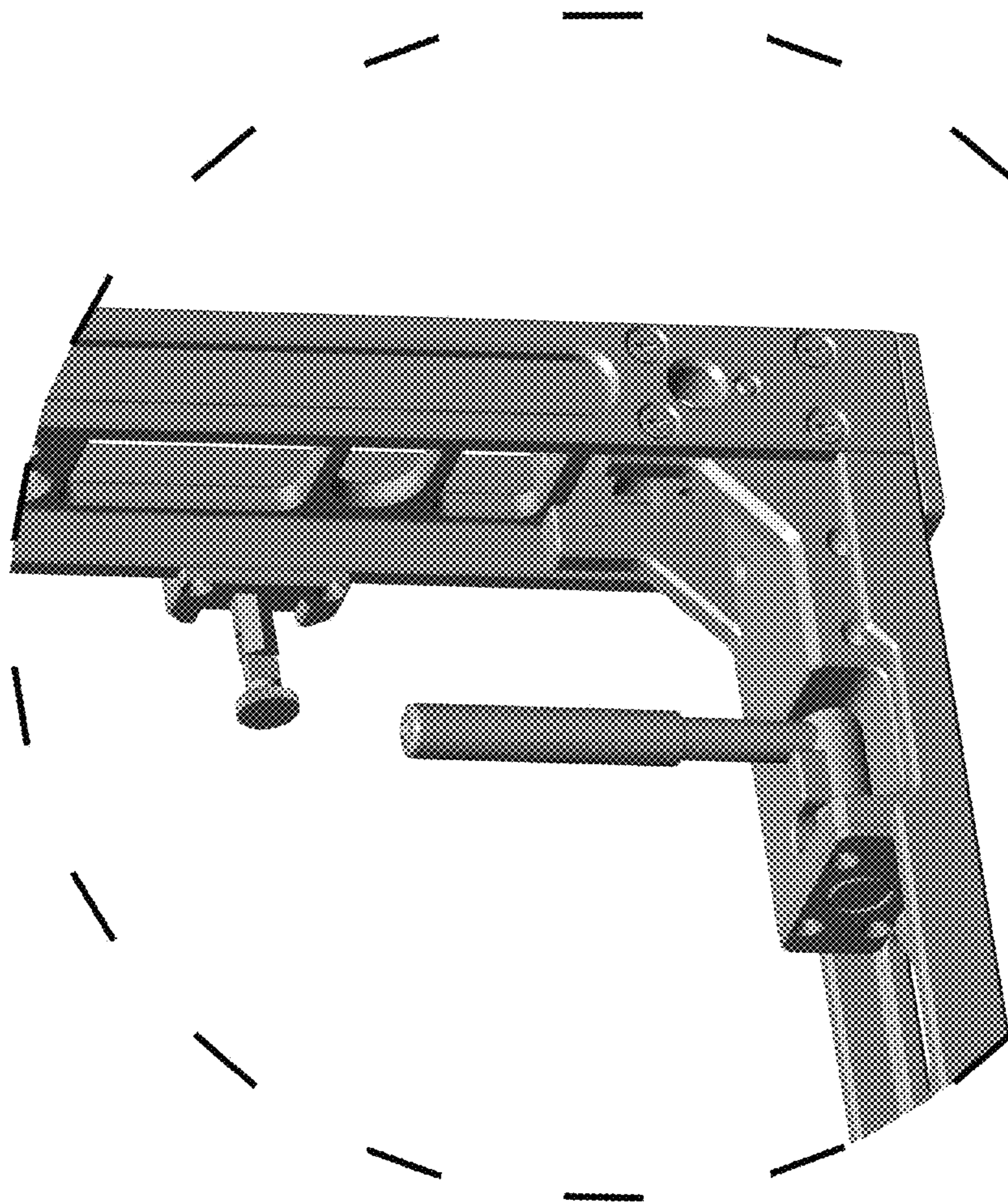


Fig. 19

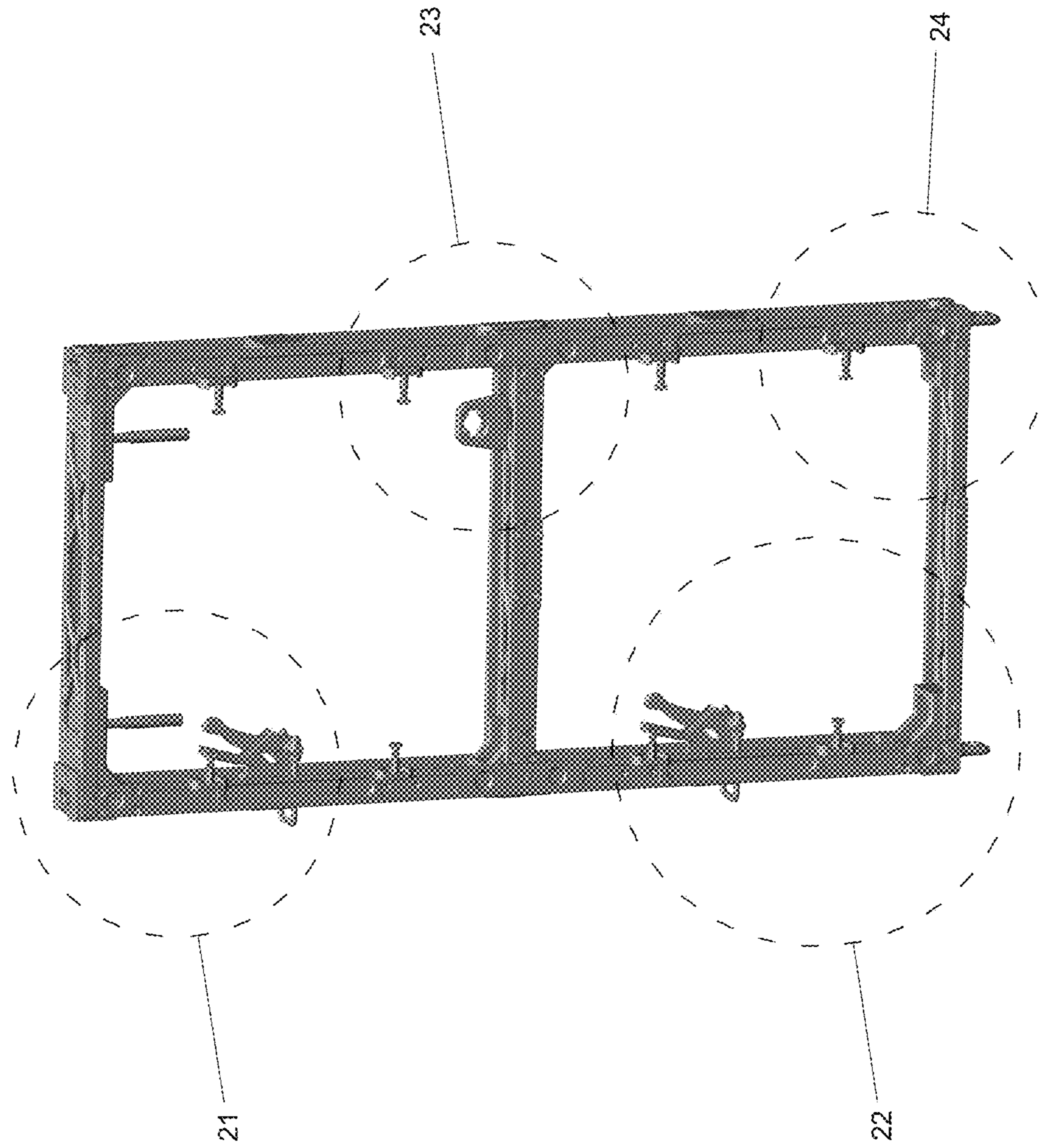


Fig. 20

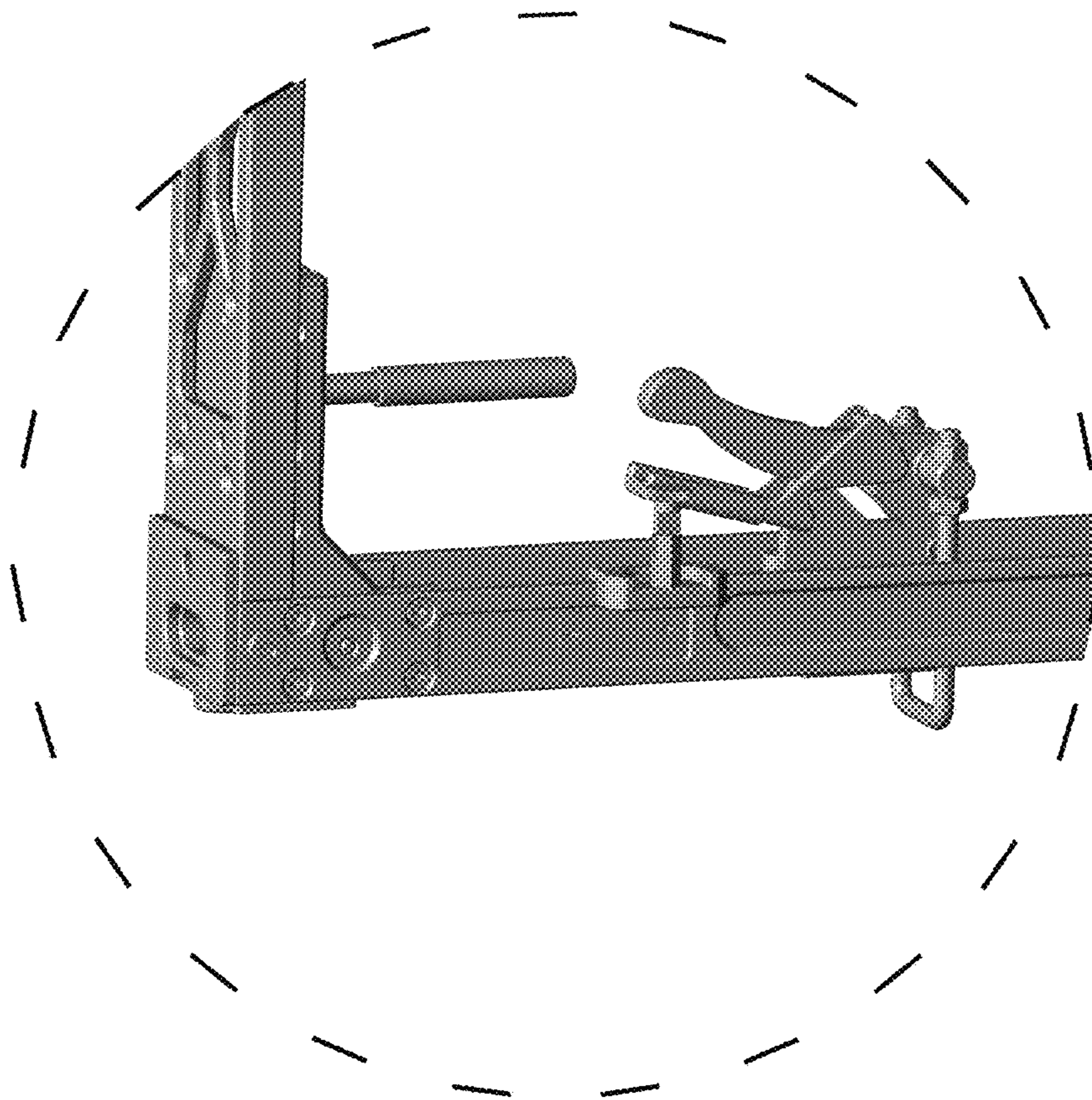


Fig. 21

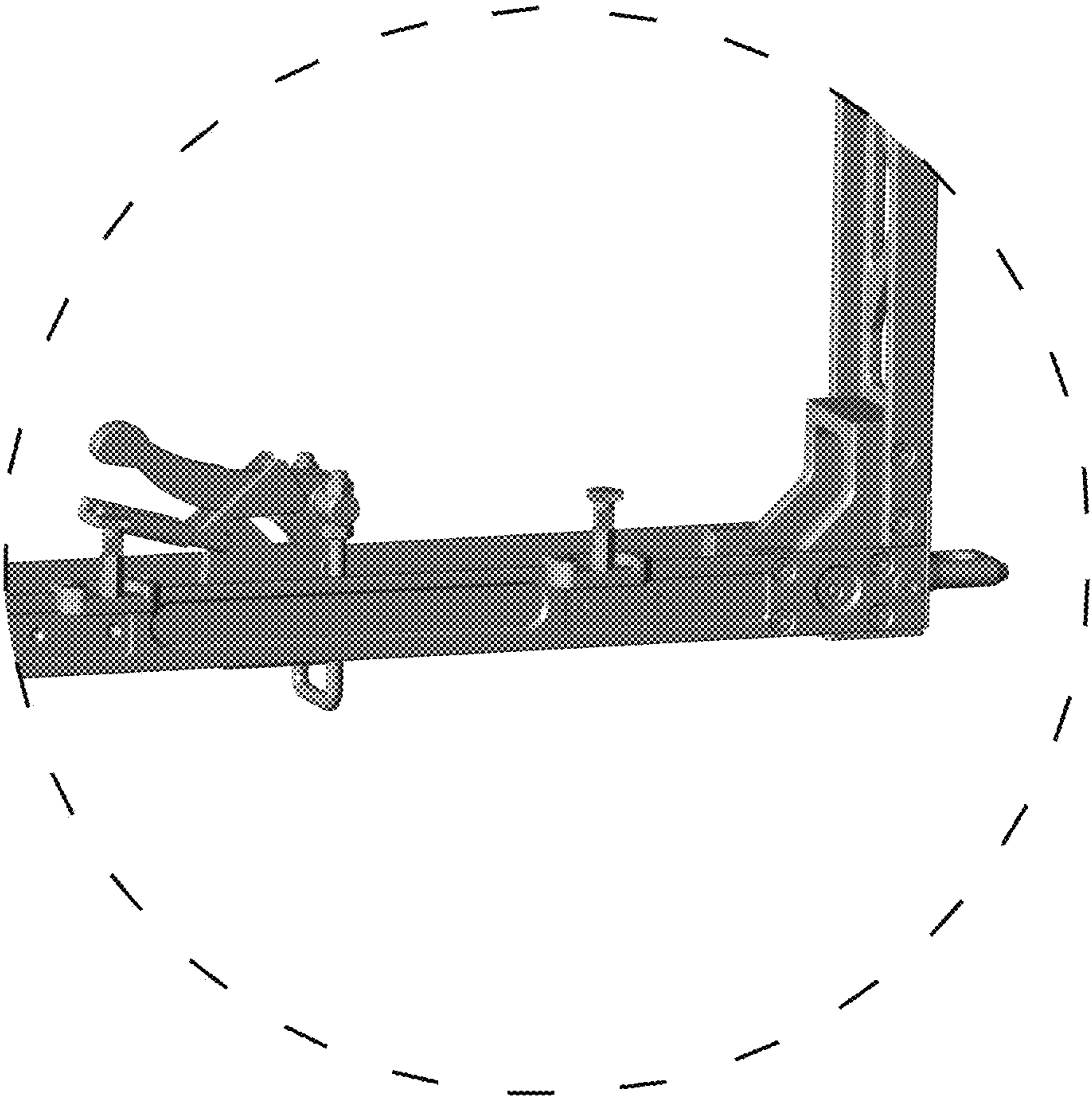


Fig. 22



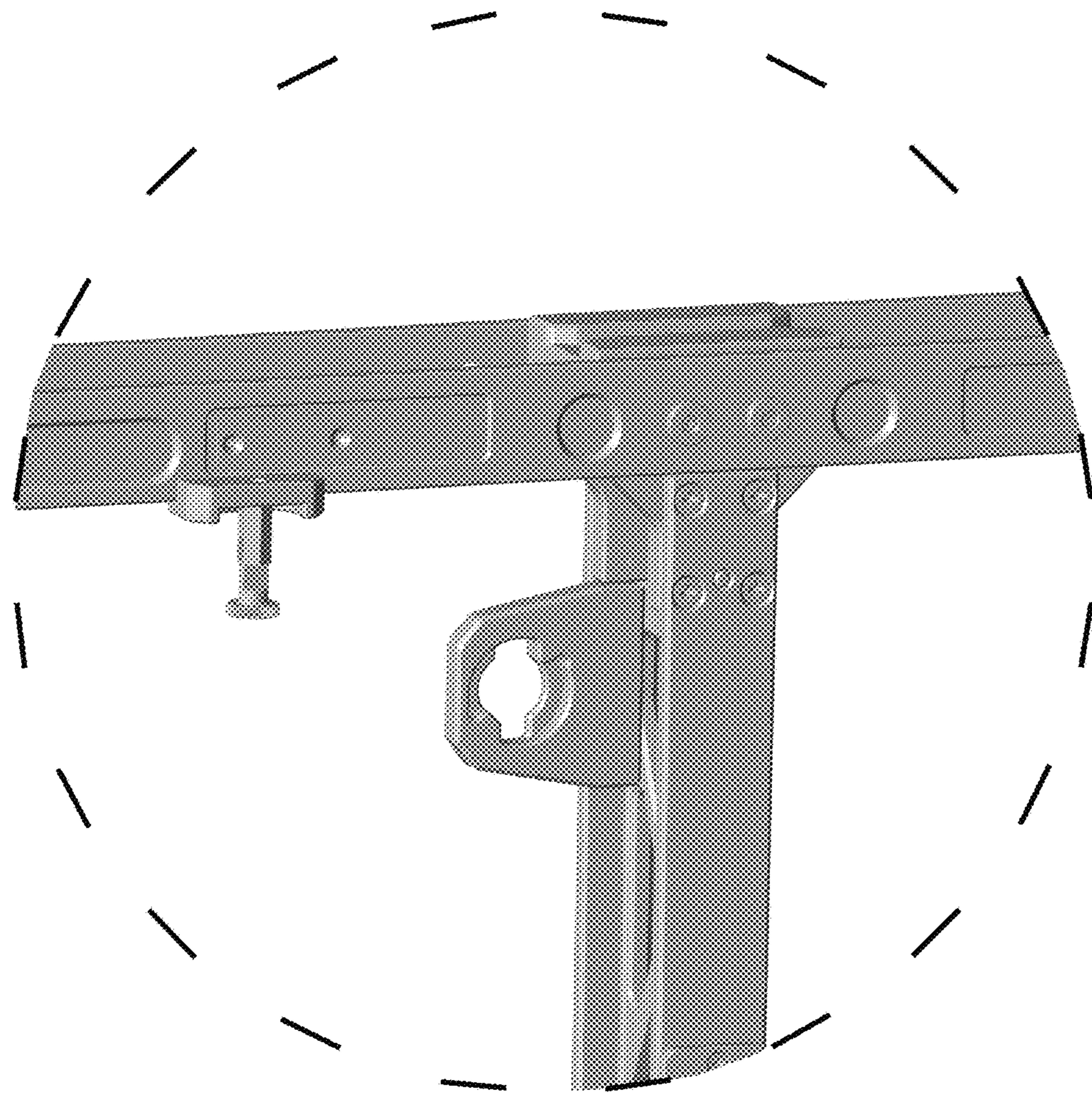


Fig. 23

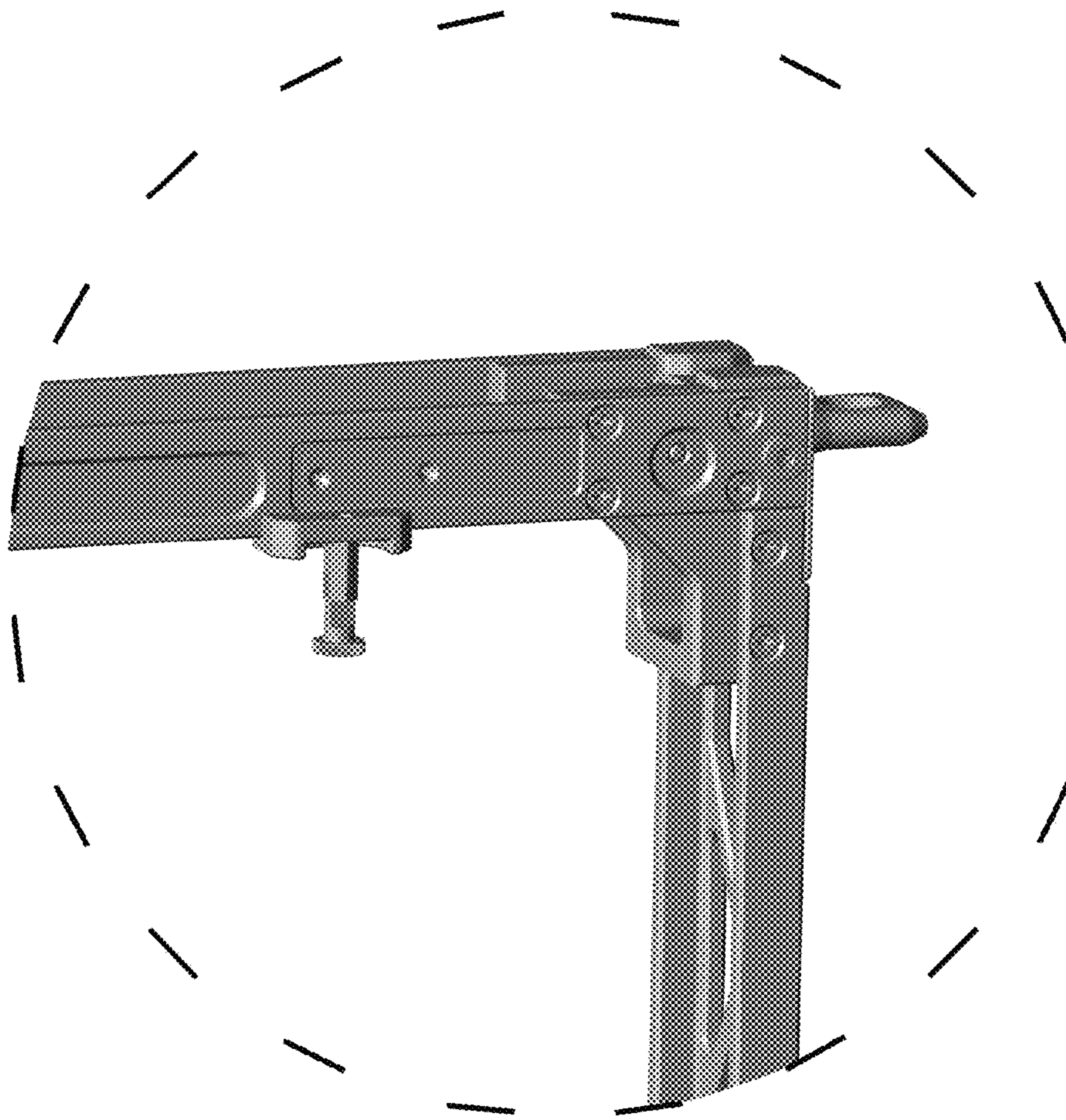


Fig. 24

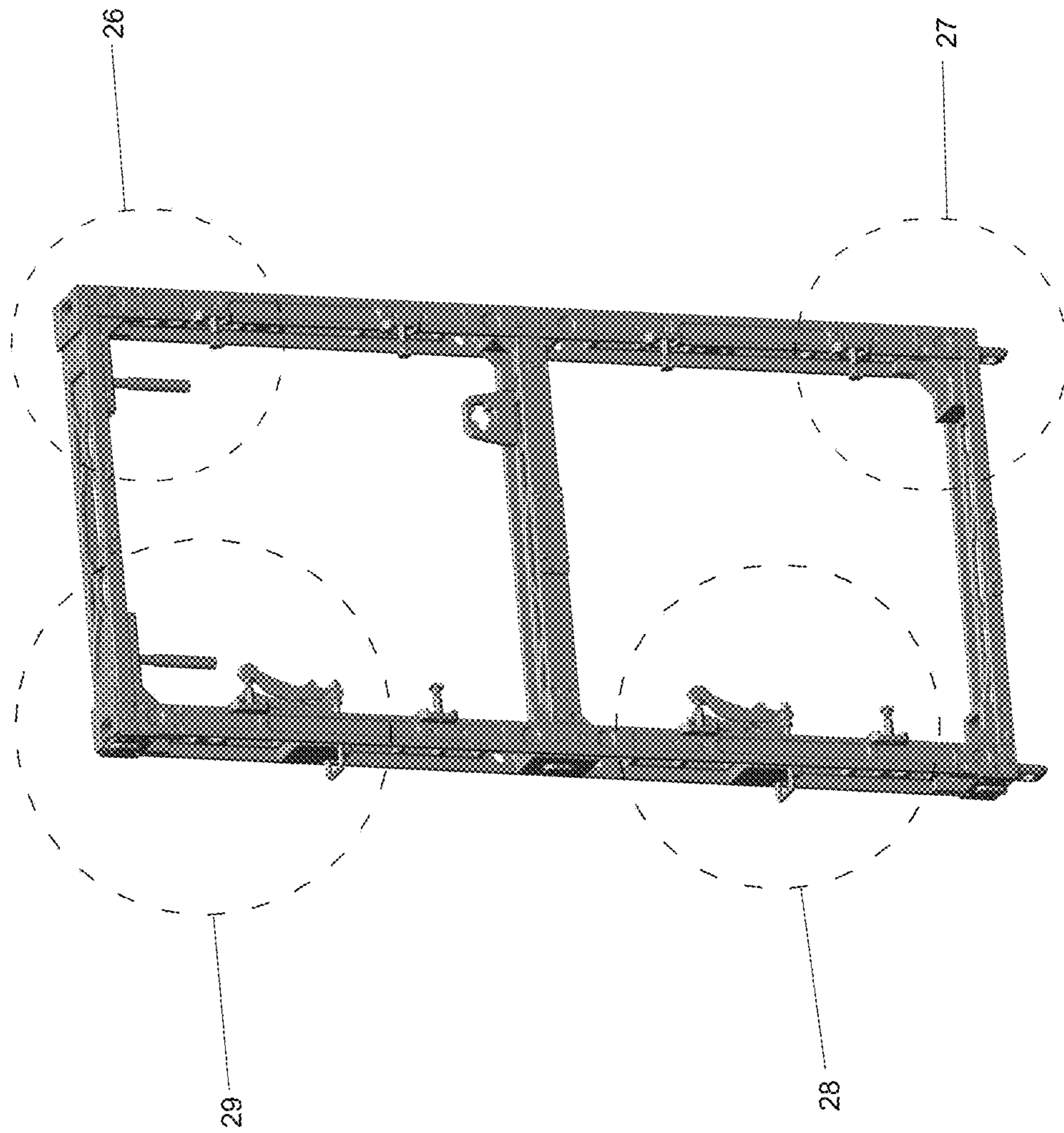


Fig. 25

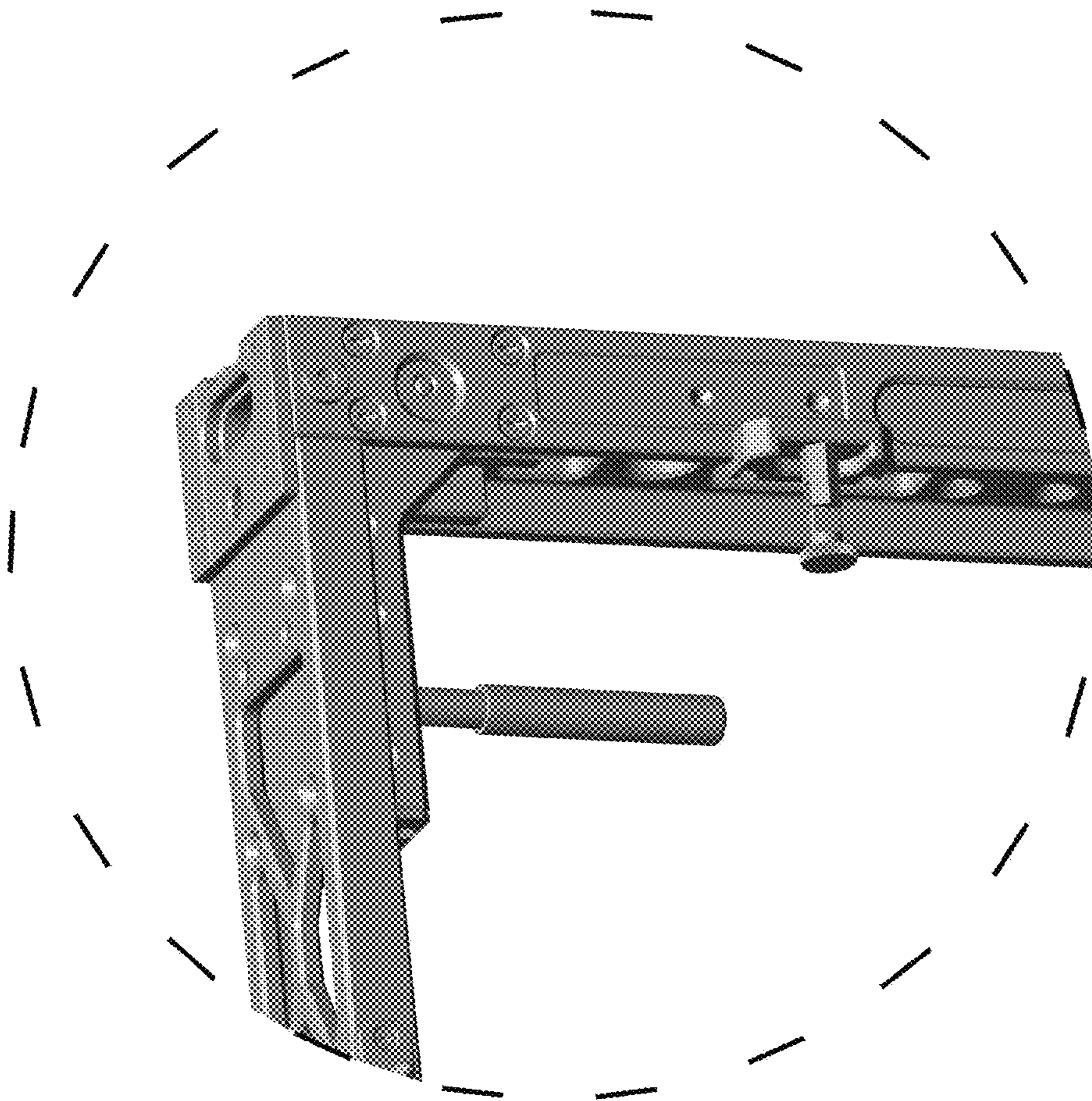


Fig. 26

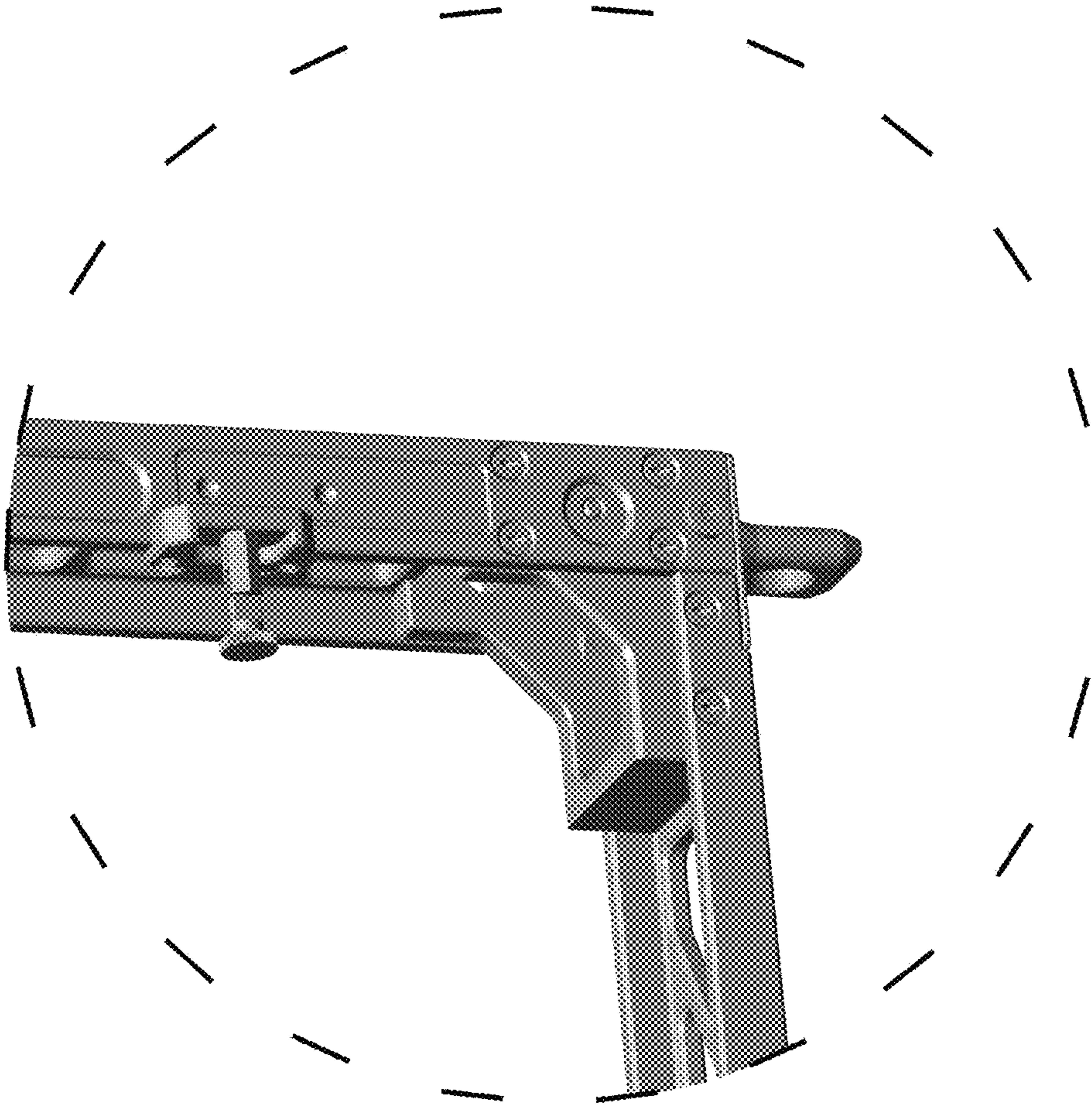


Fig. 27

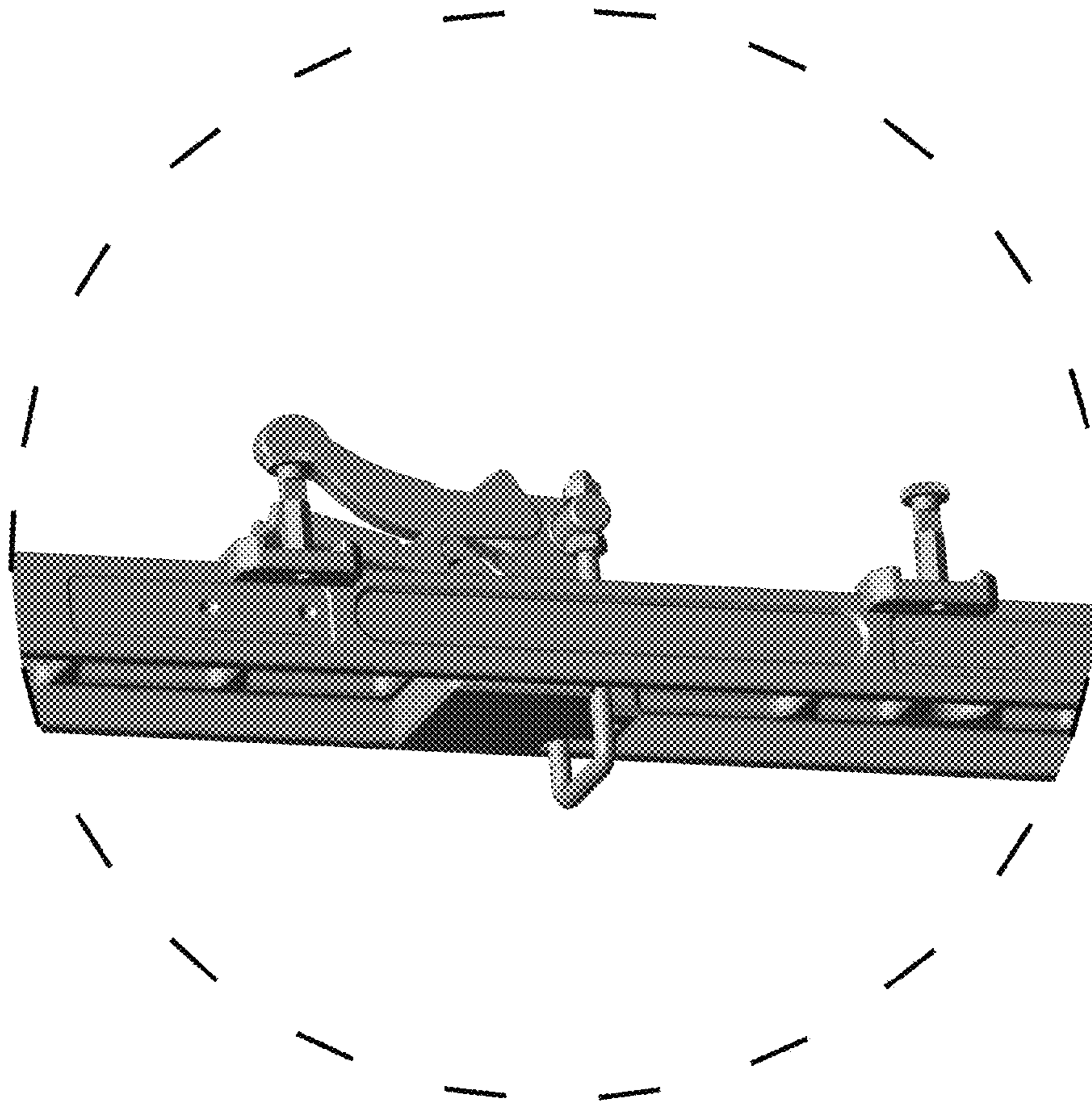


Fig. 28

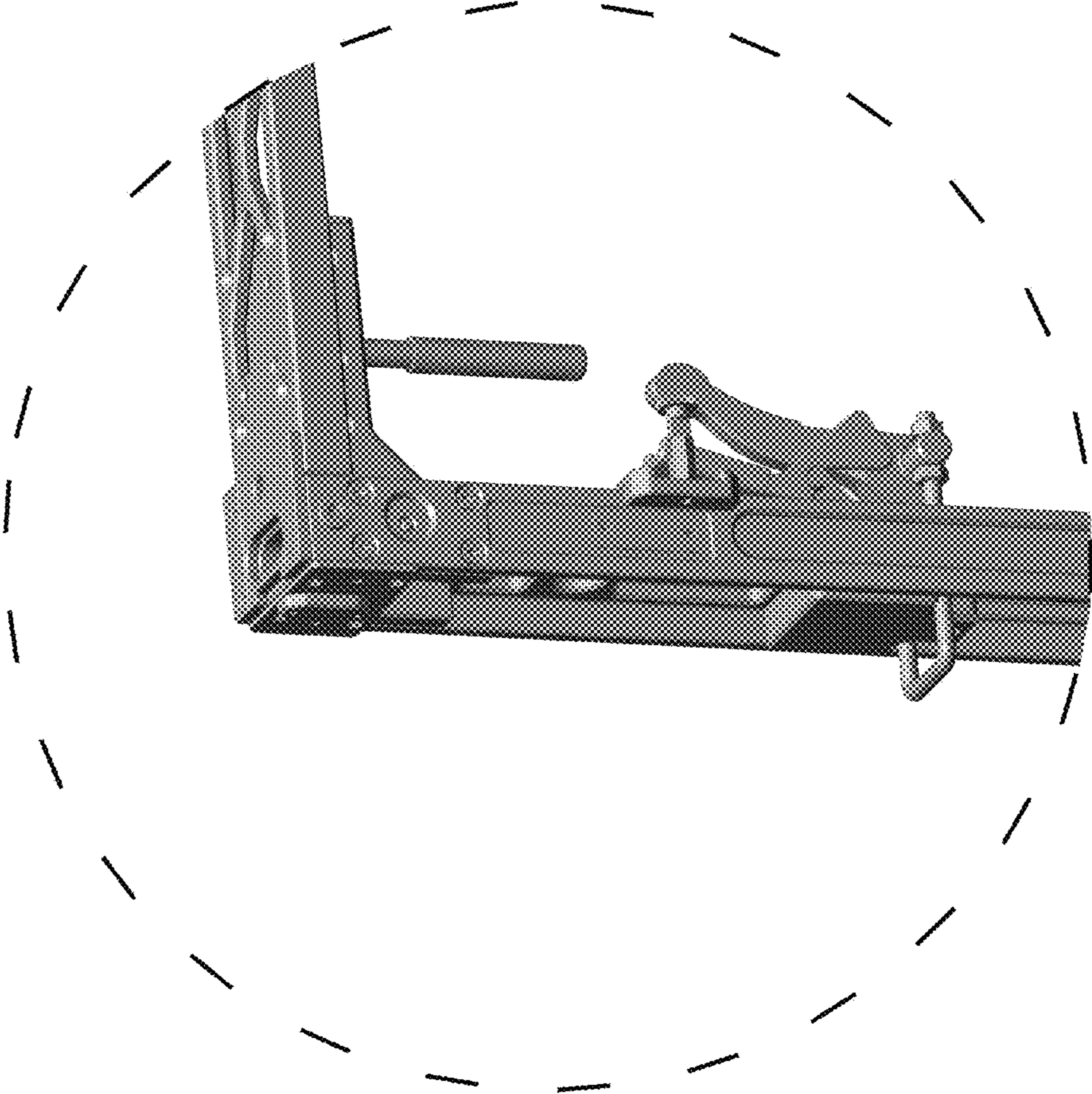


Fig. 29

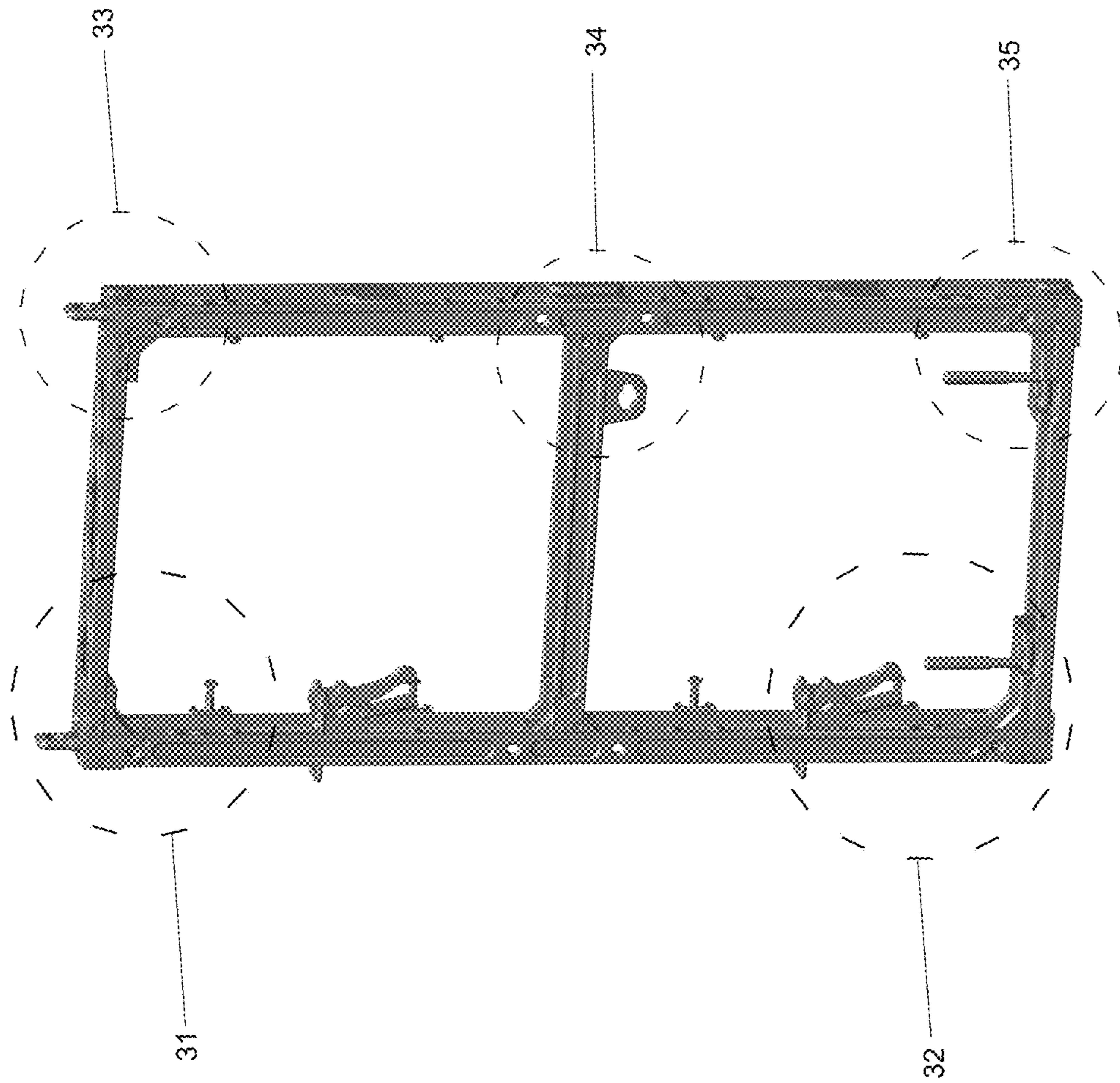


Fig. 30



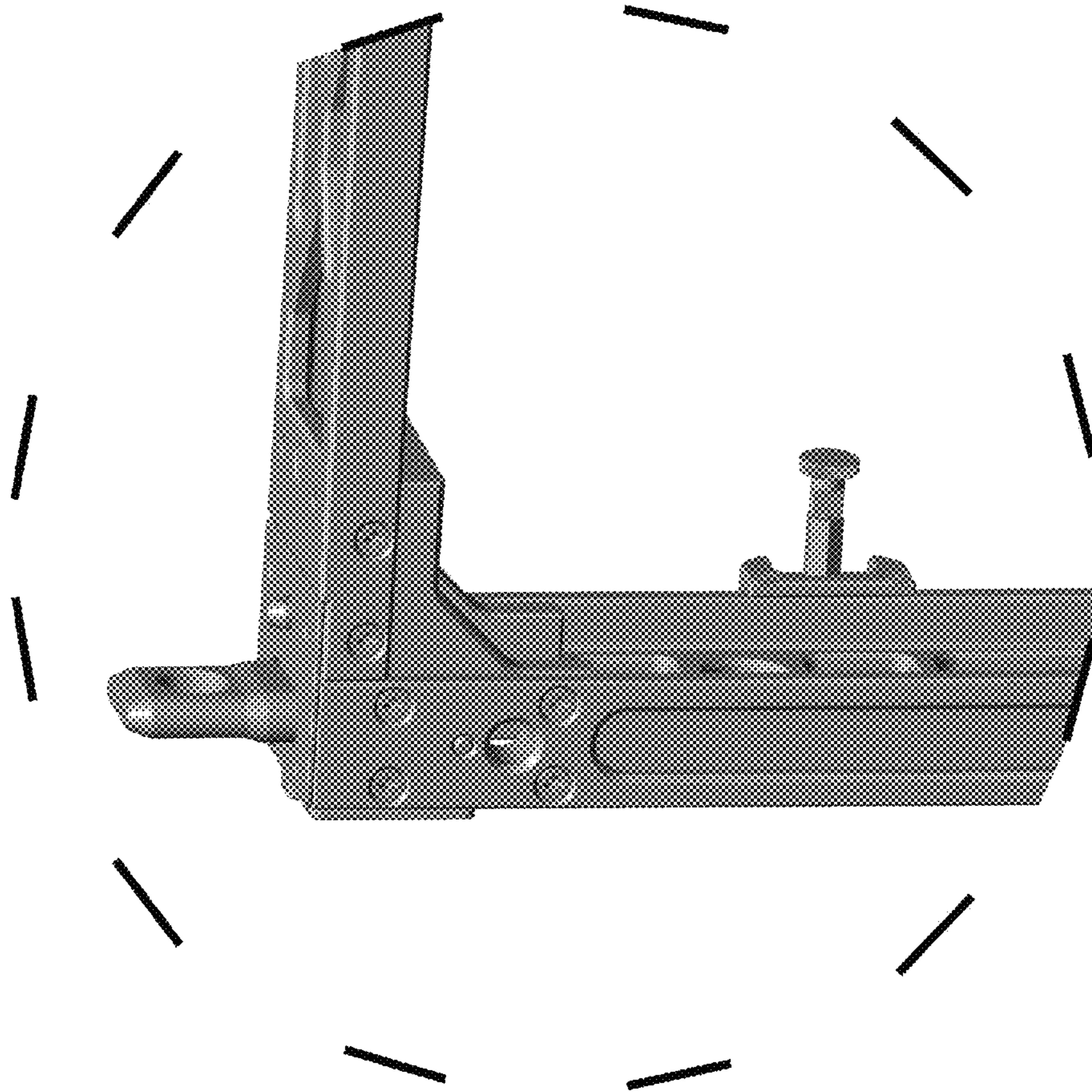


Fig. 31

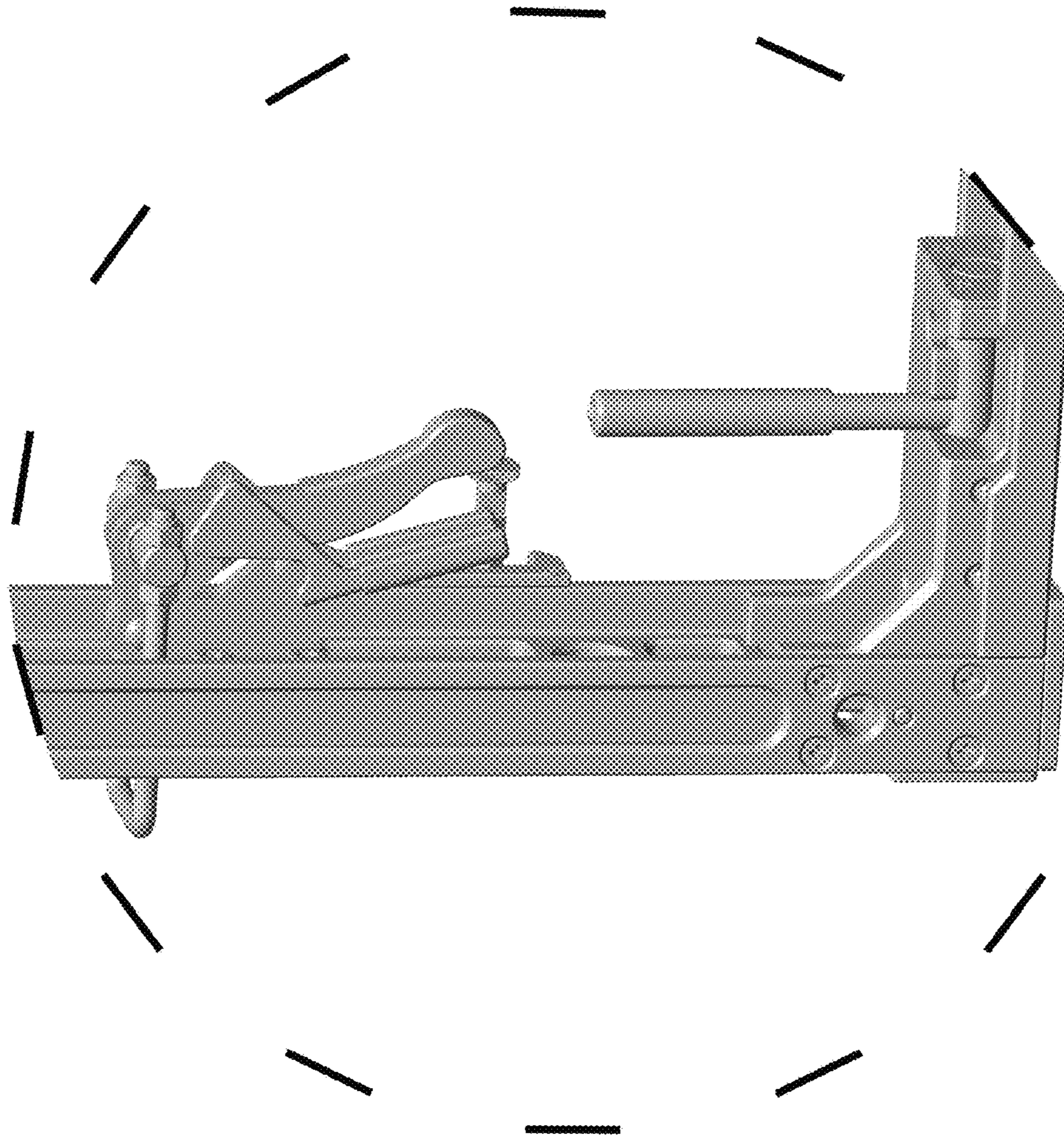


Fig. 32

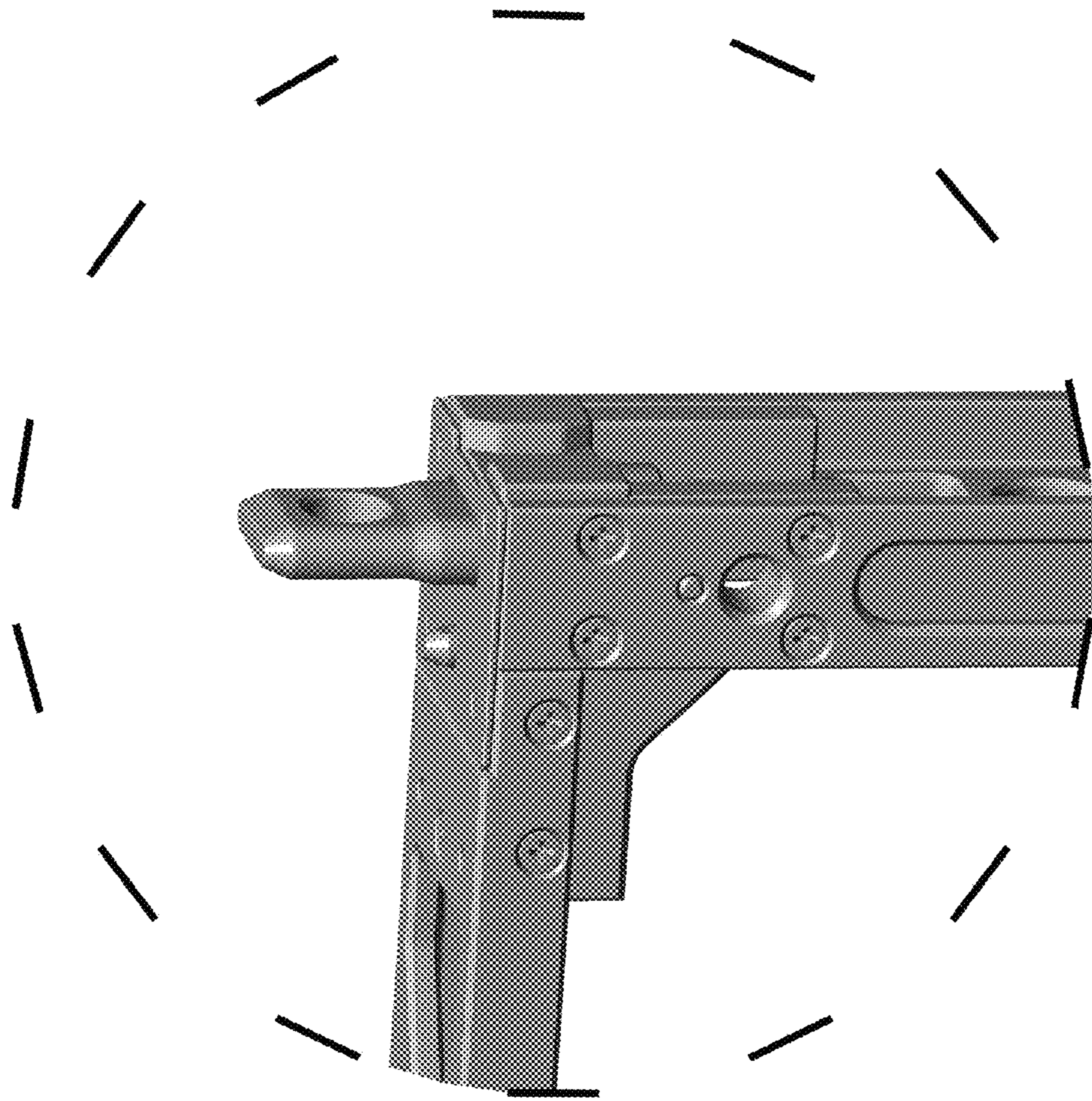


Fig. 33

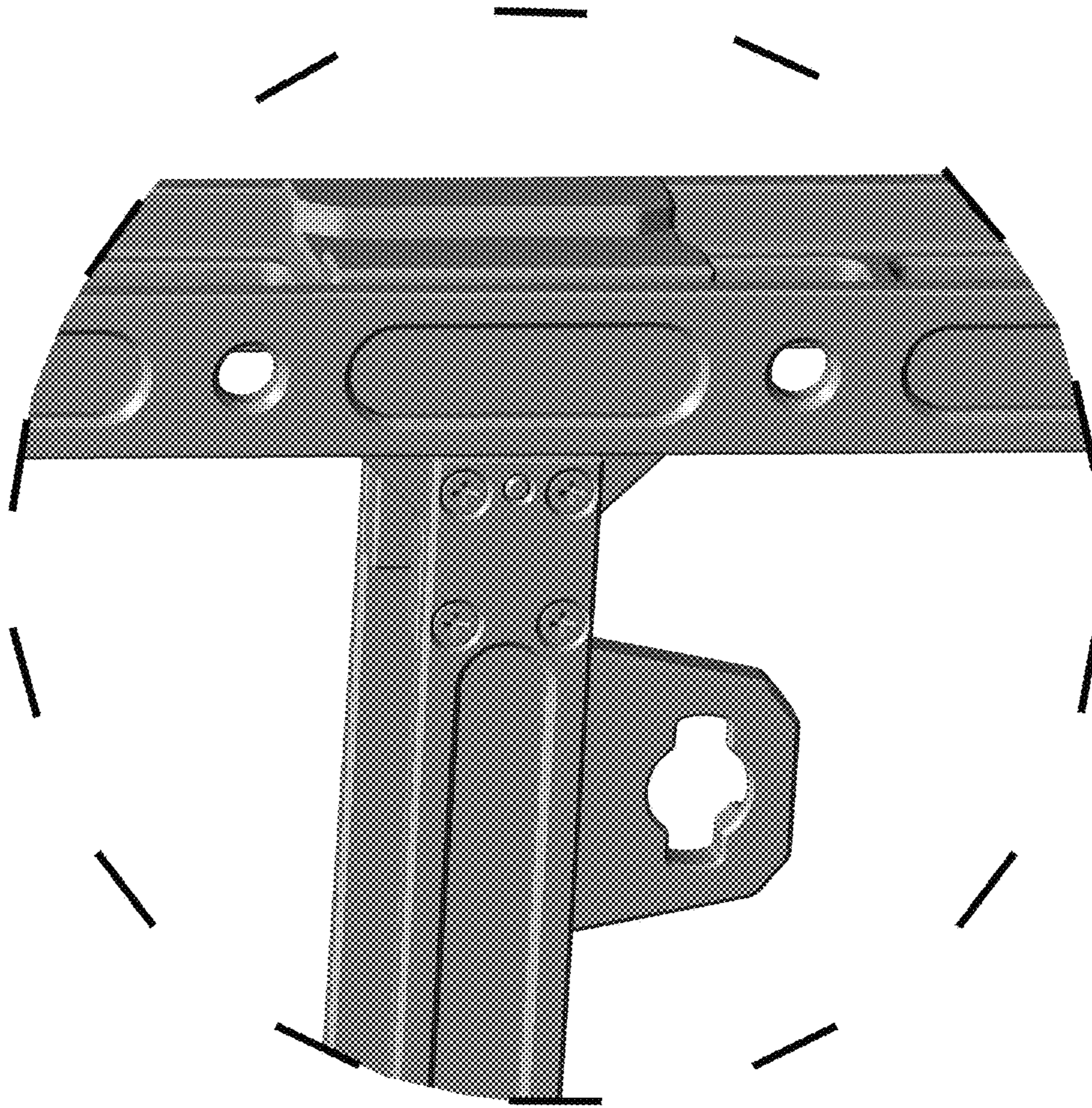


Fig. 34

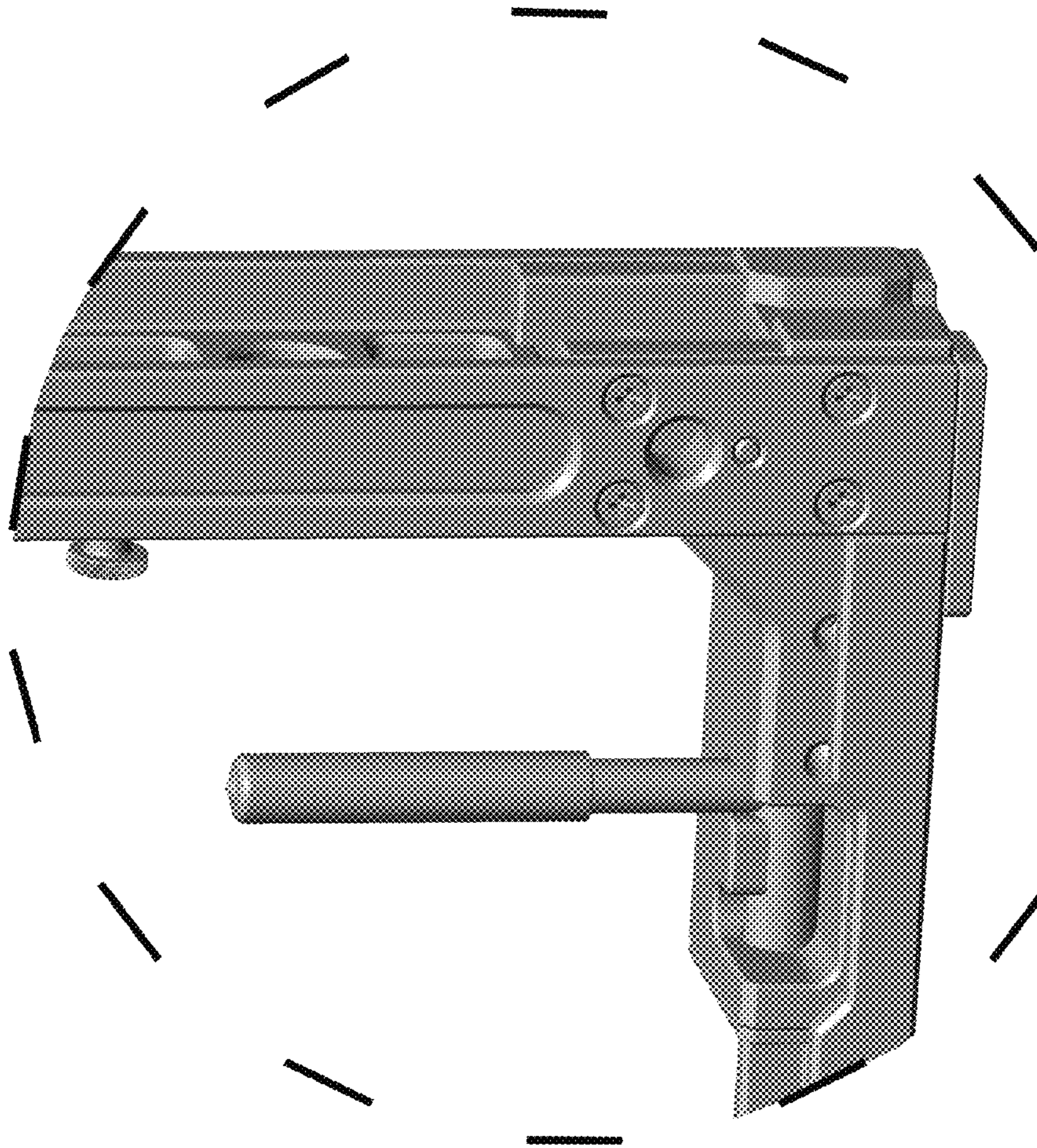


Fig. 35

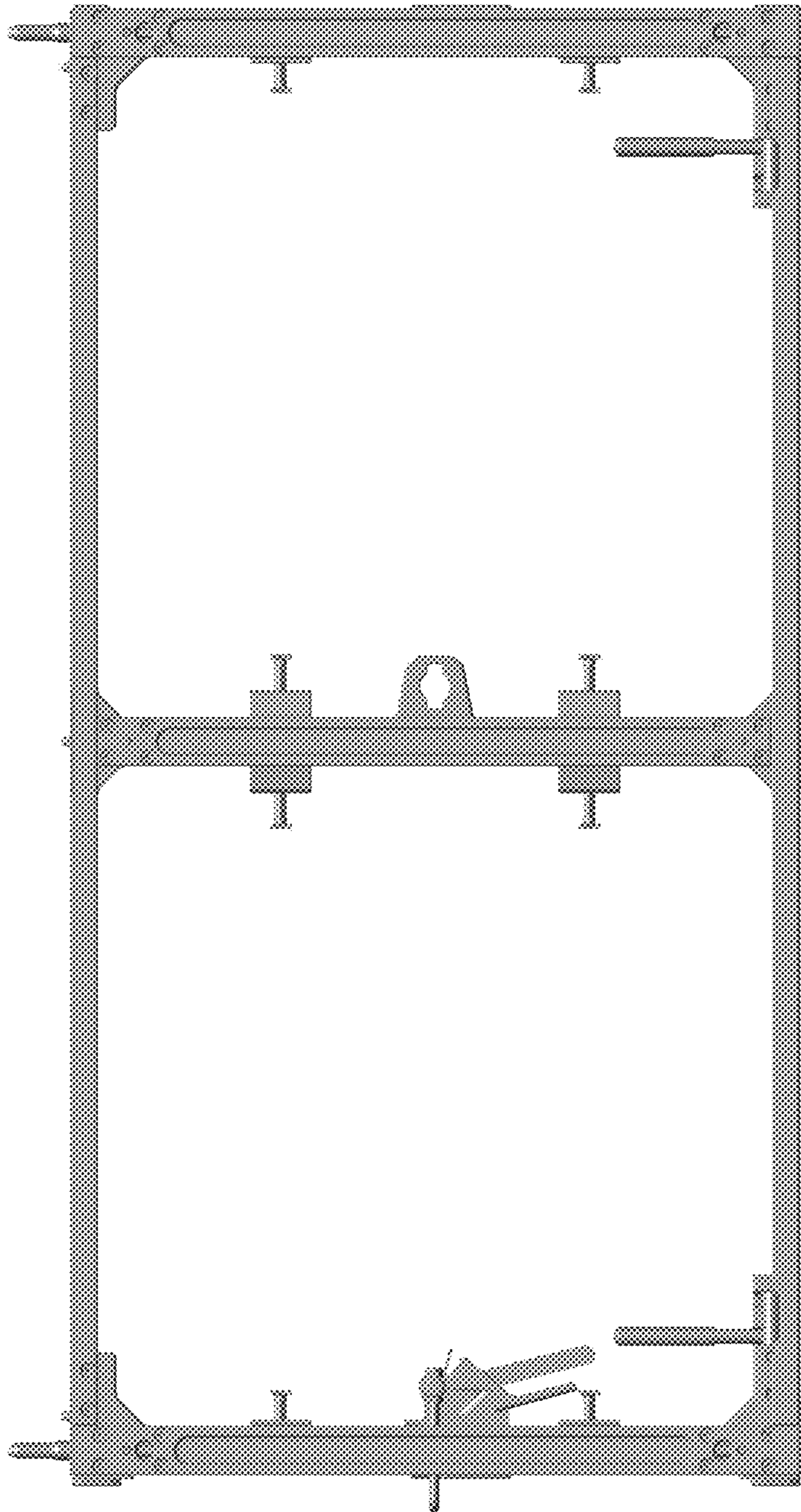


Fig. 36

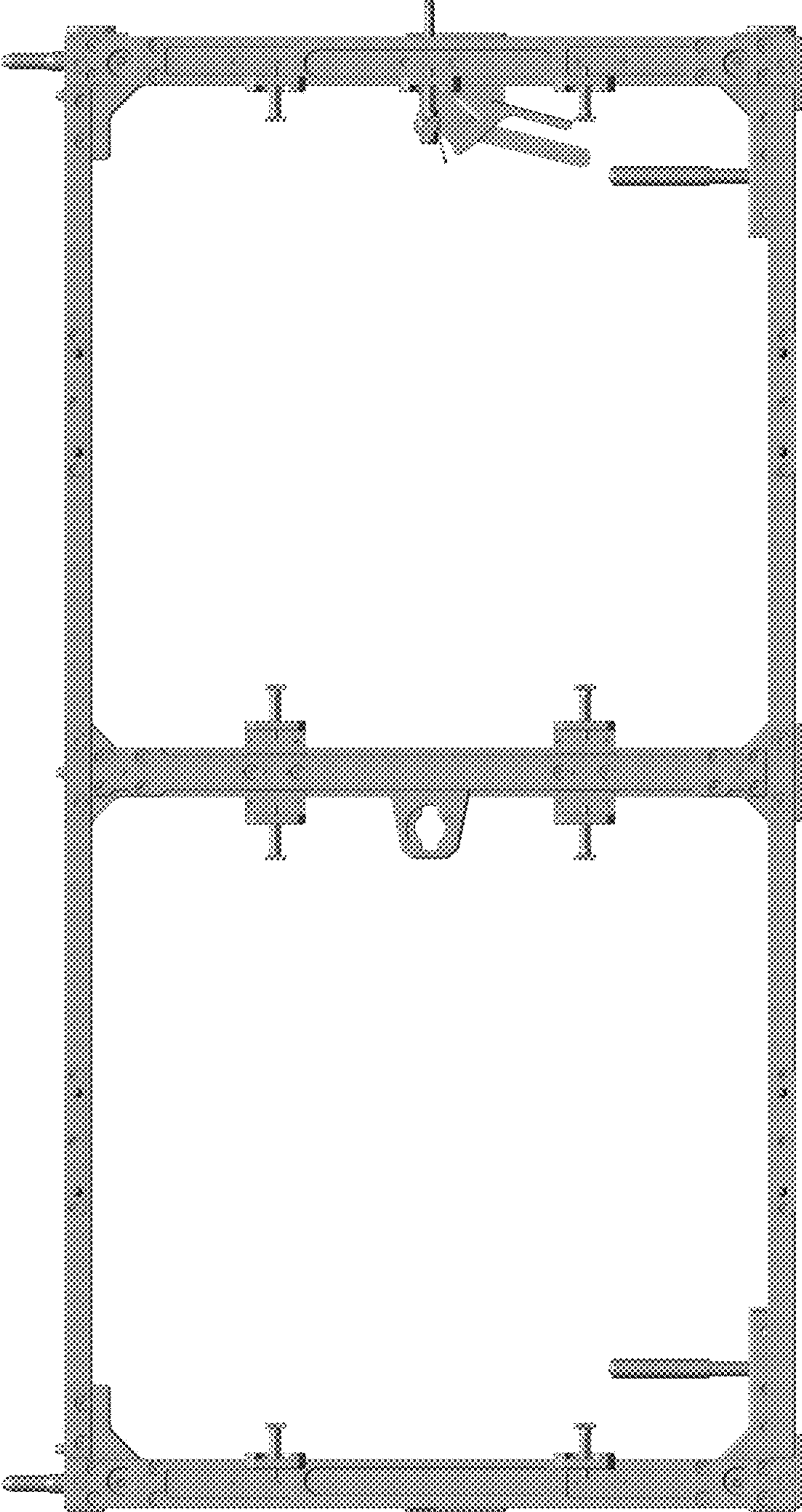


Fig. 37



Fig. 38



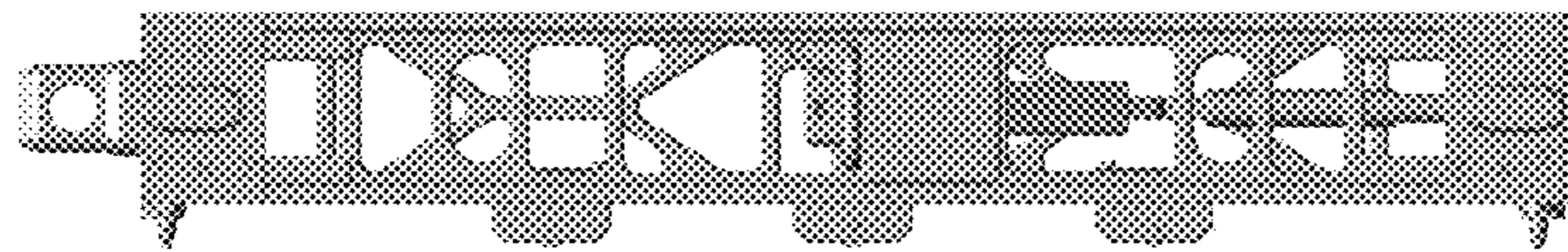


Fig. 39

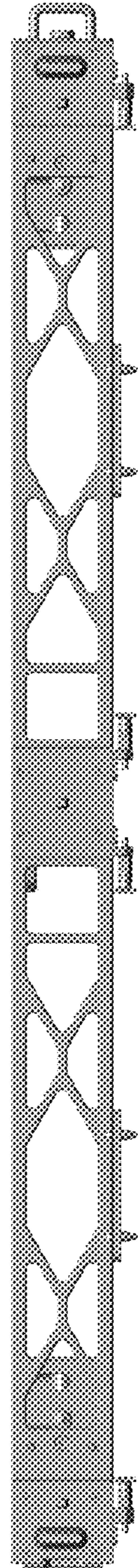


Fig. 40

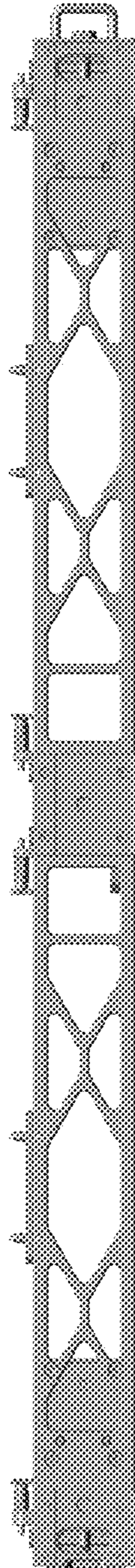


Fig. 41

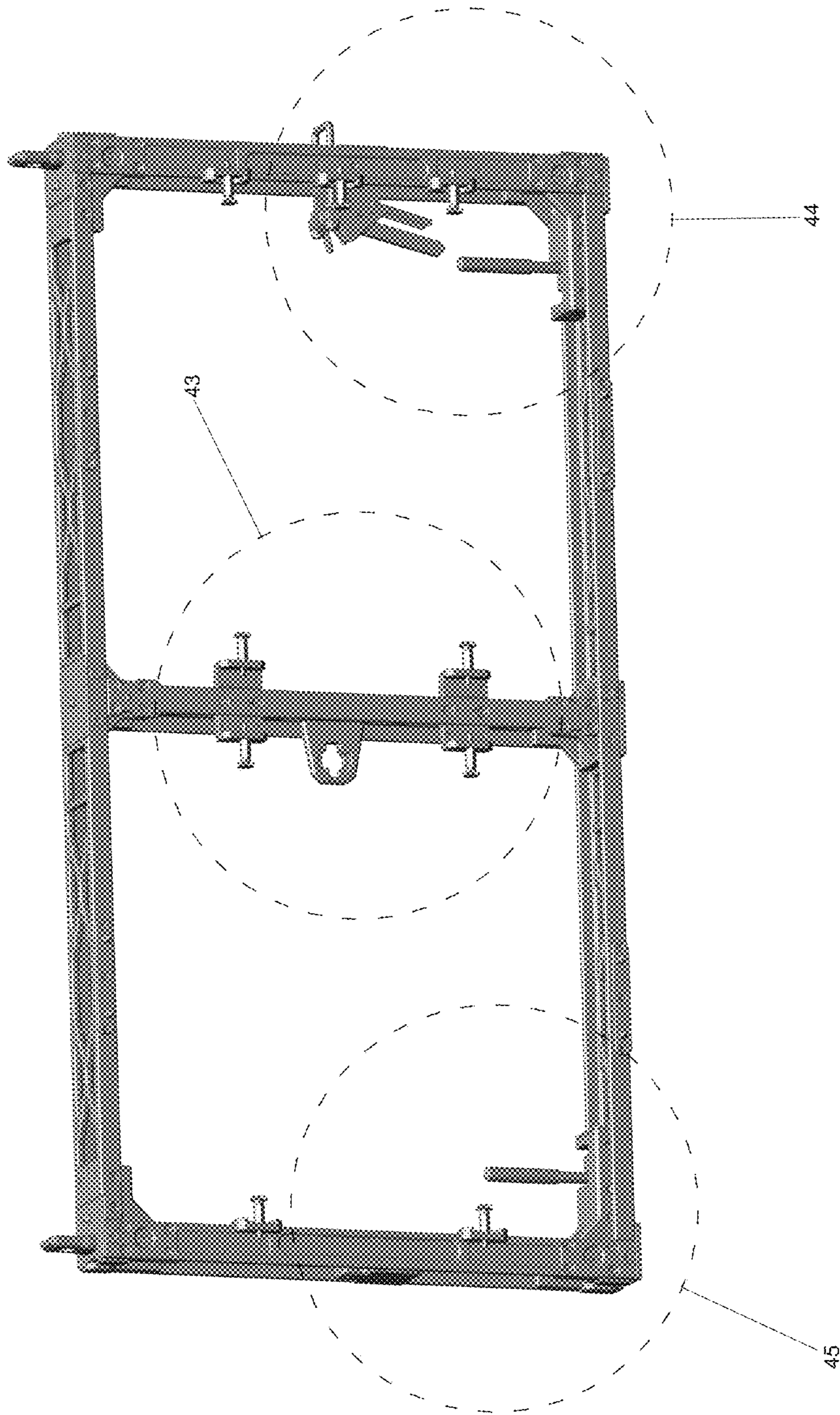


Fig. 42

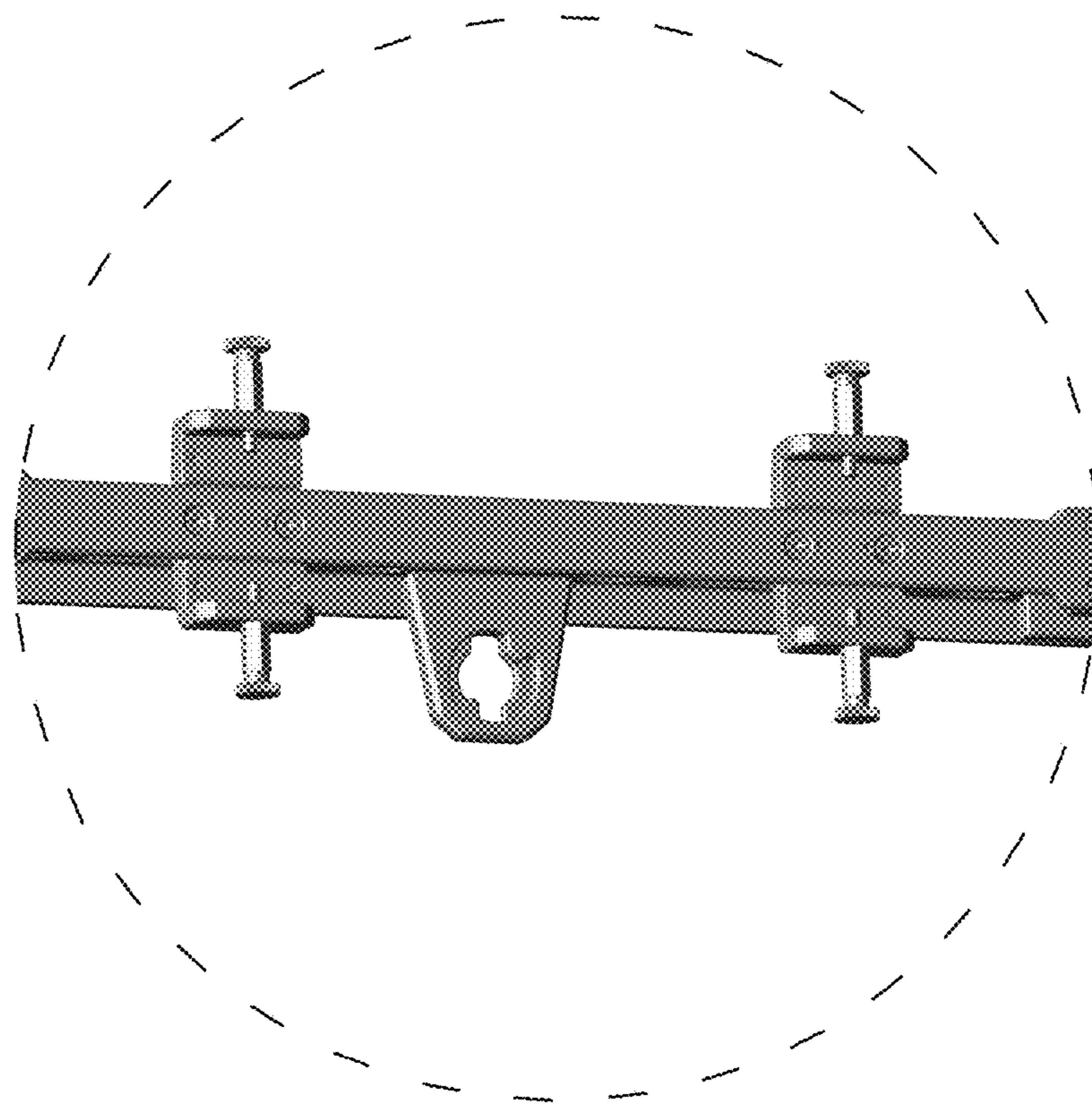


Fig. 43

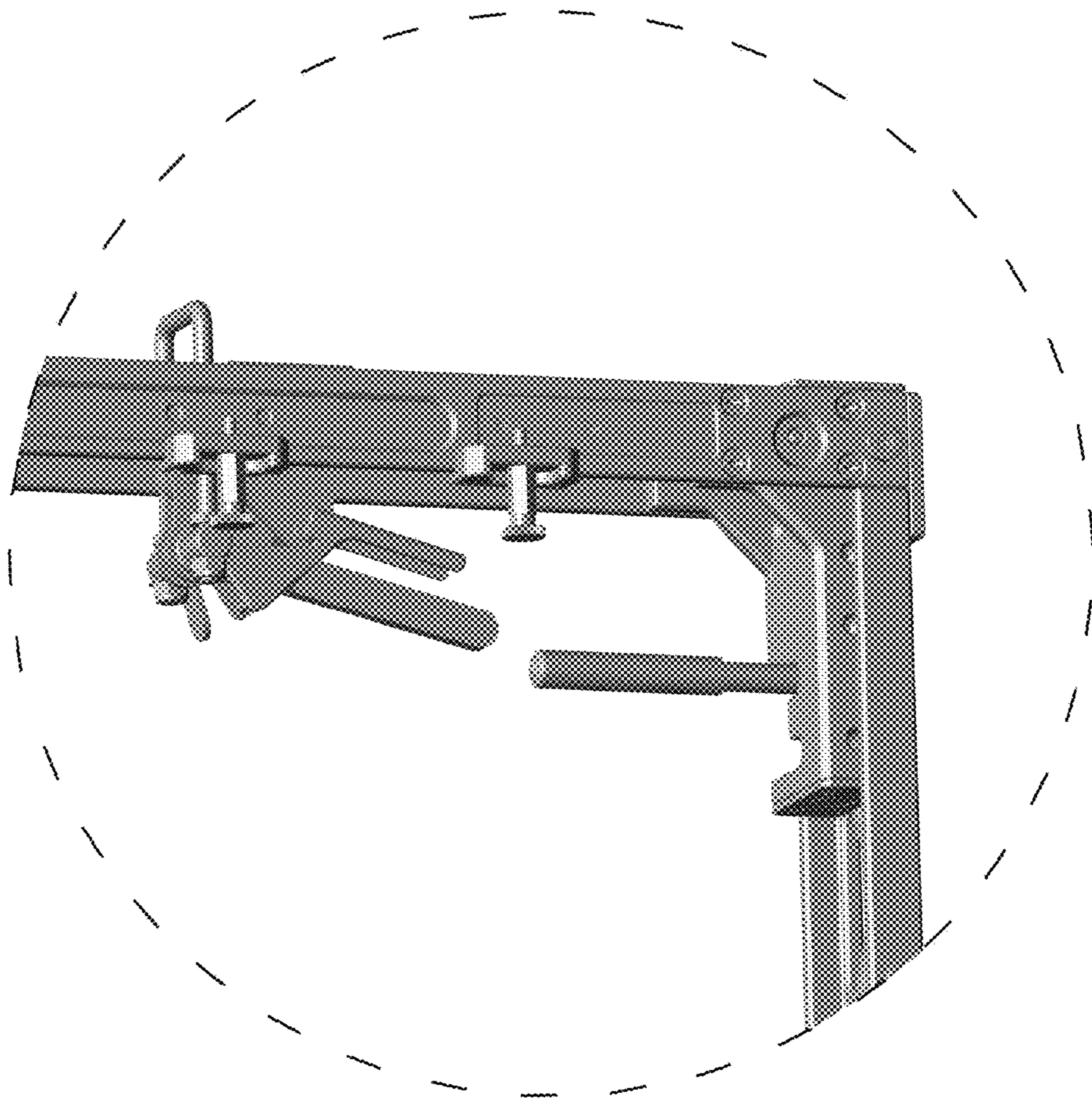


Fig. 44

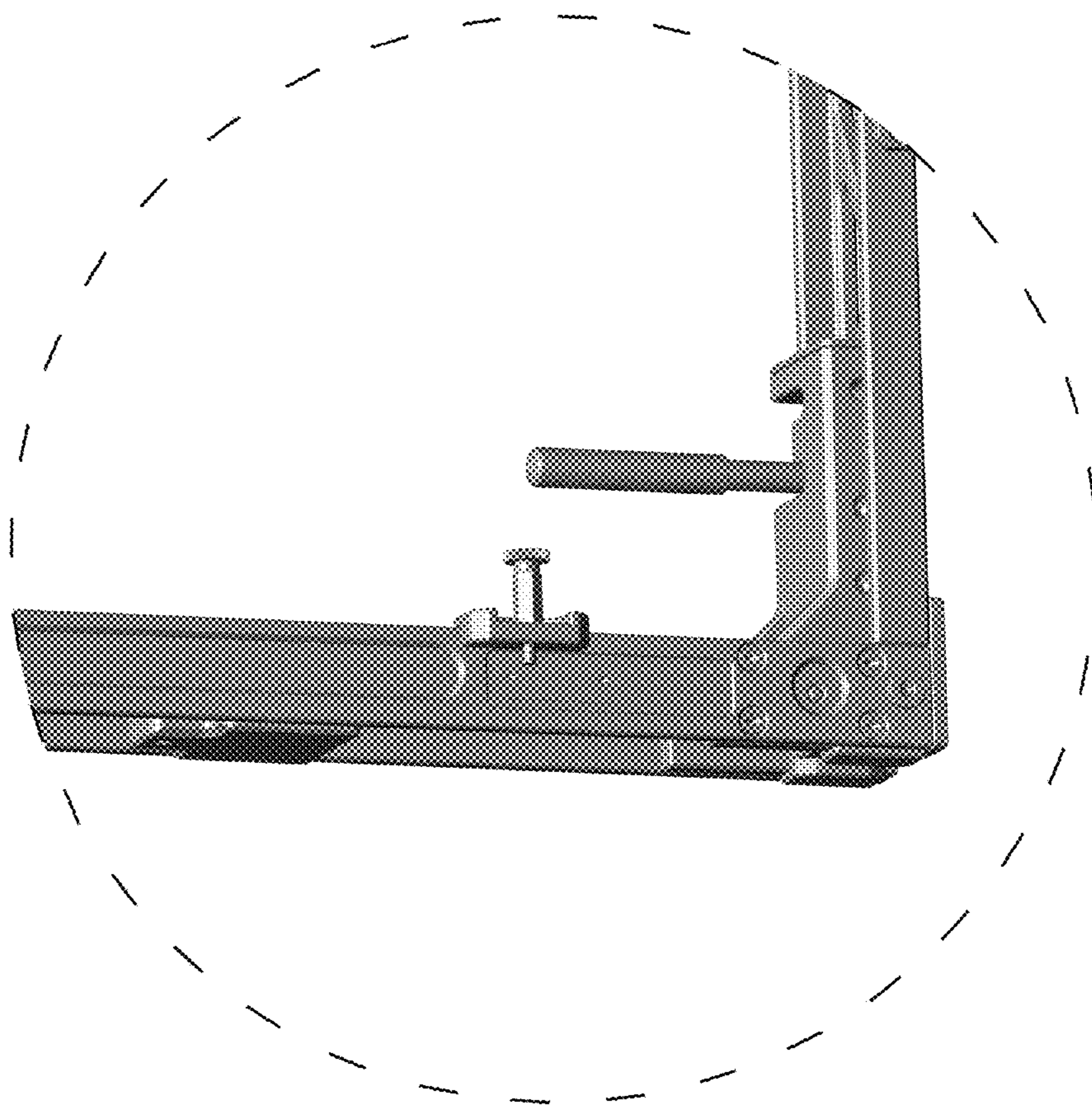


Fig. 45

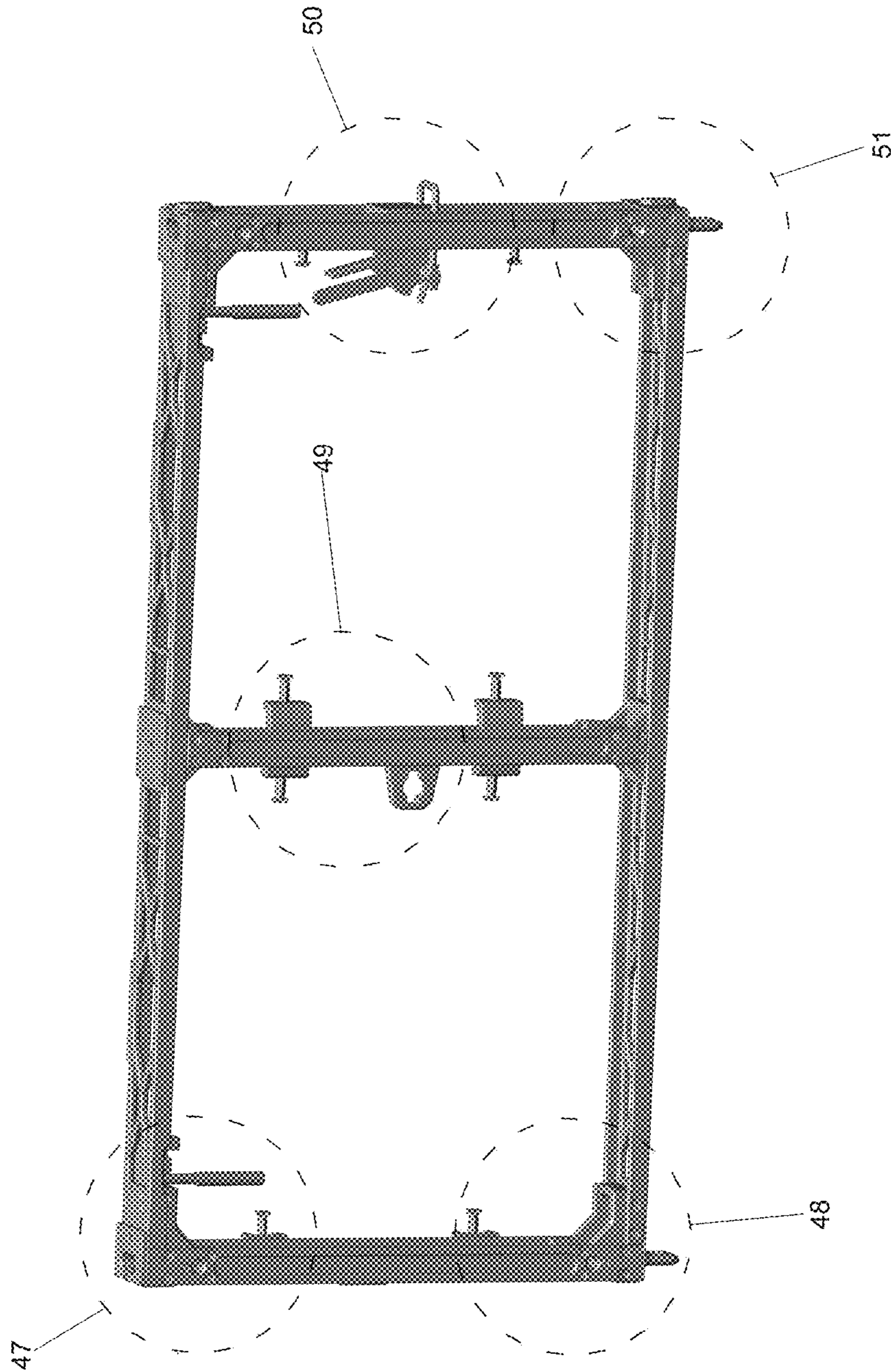


Fig. 46



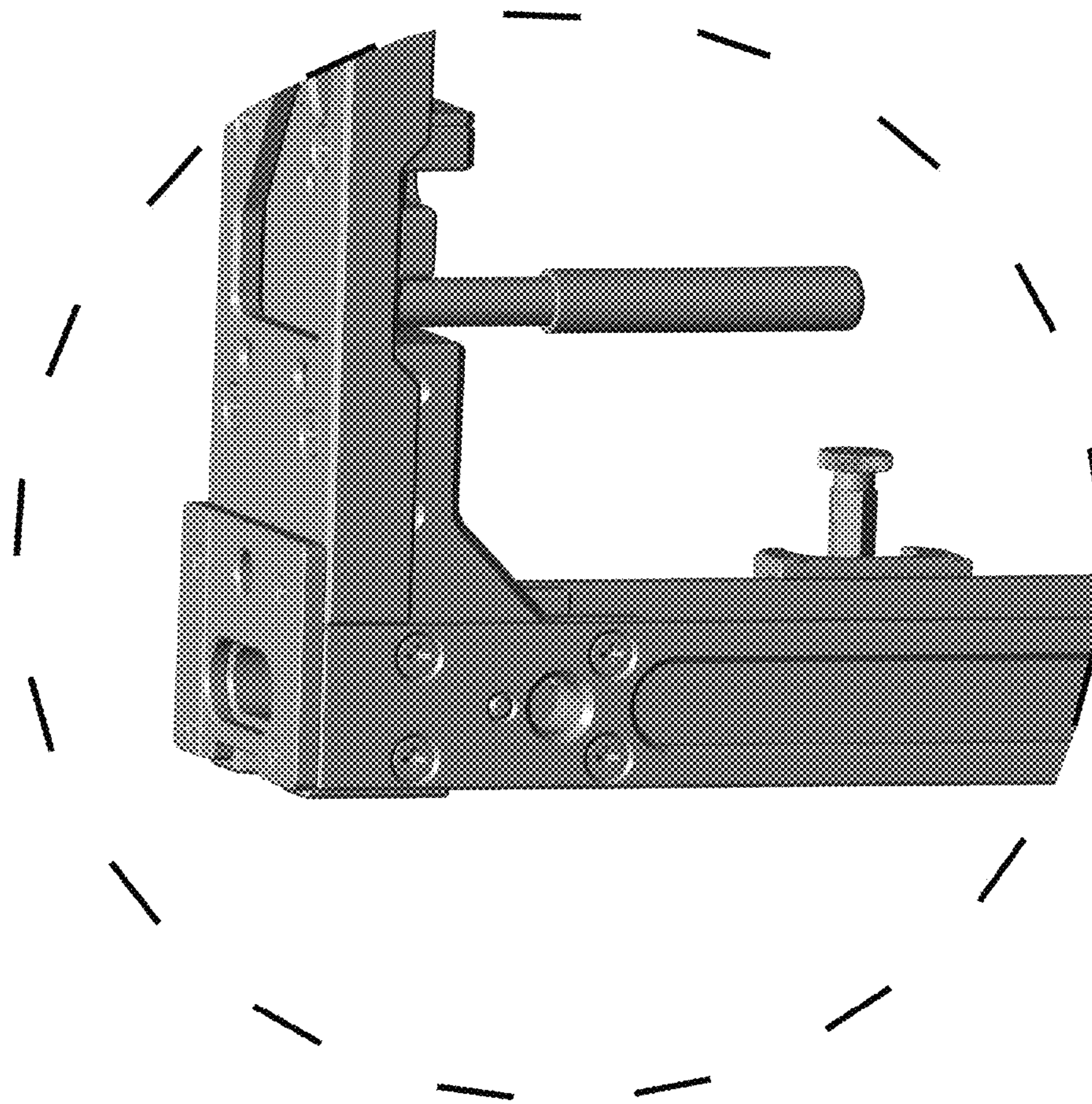


Fig. 47

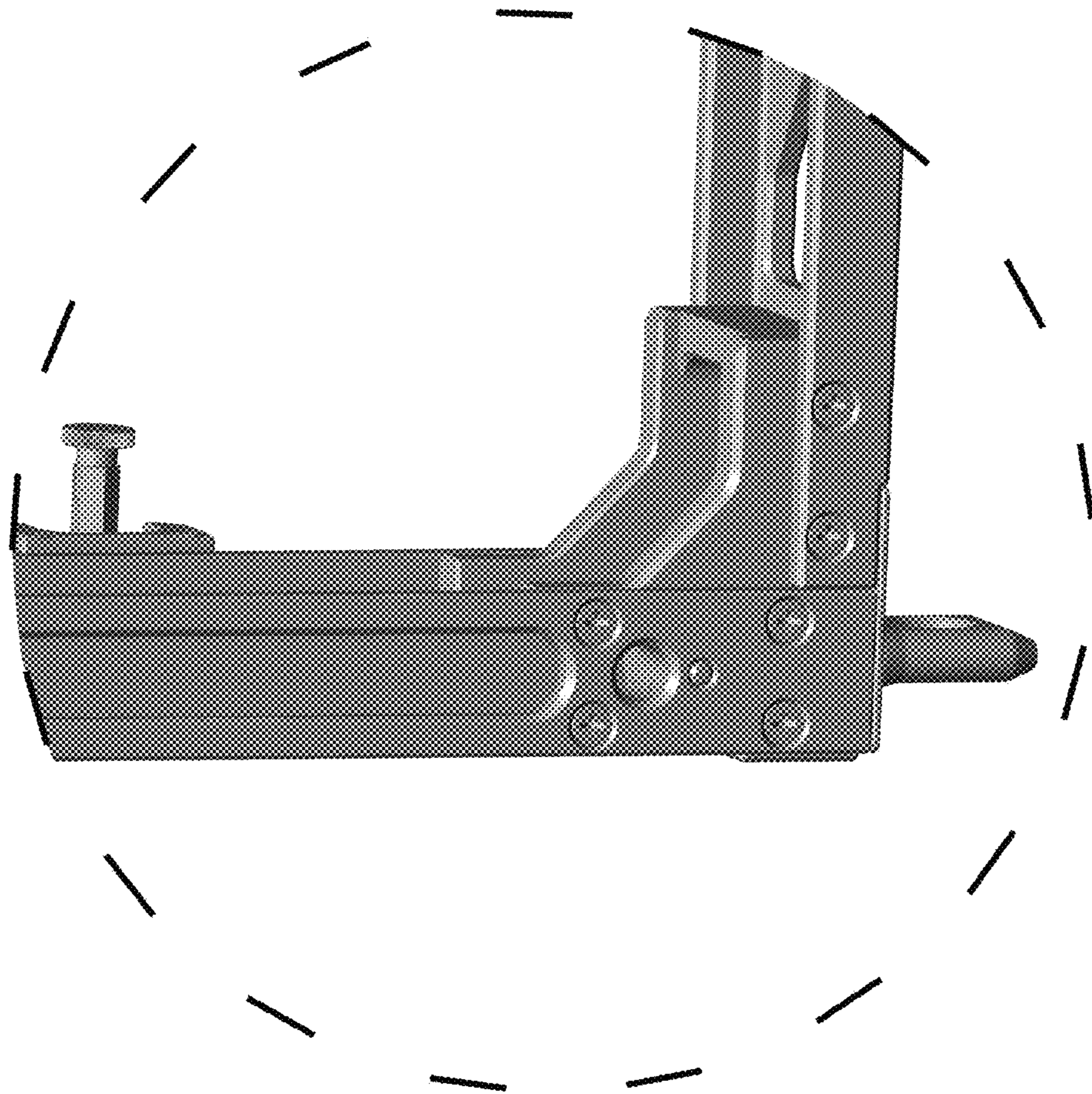


Fig. 48

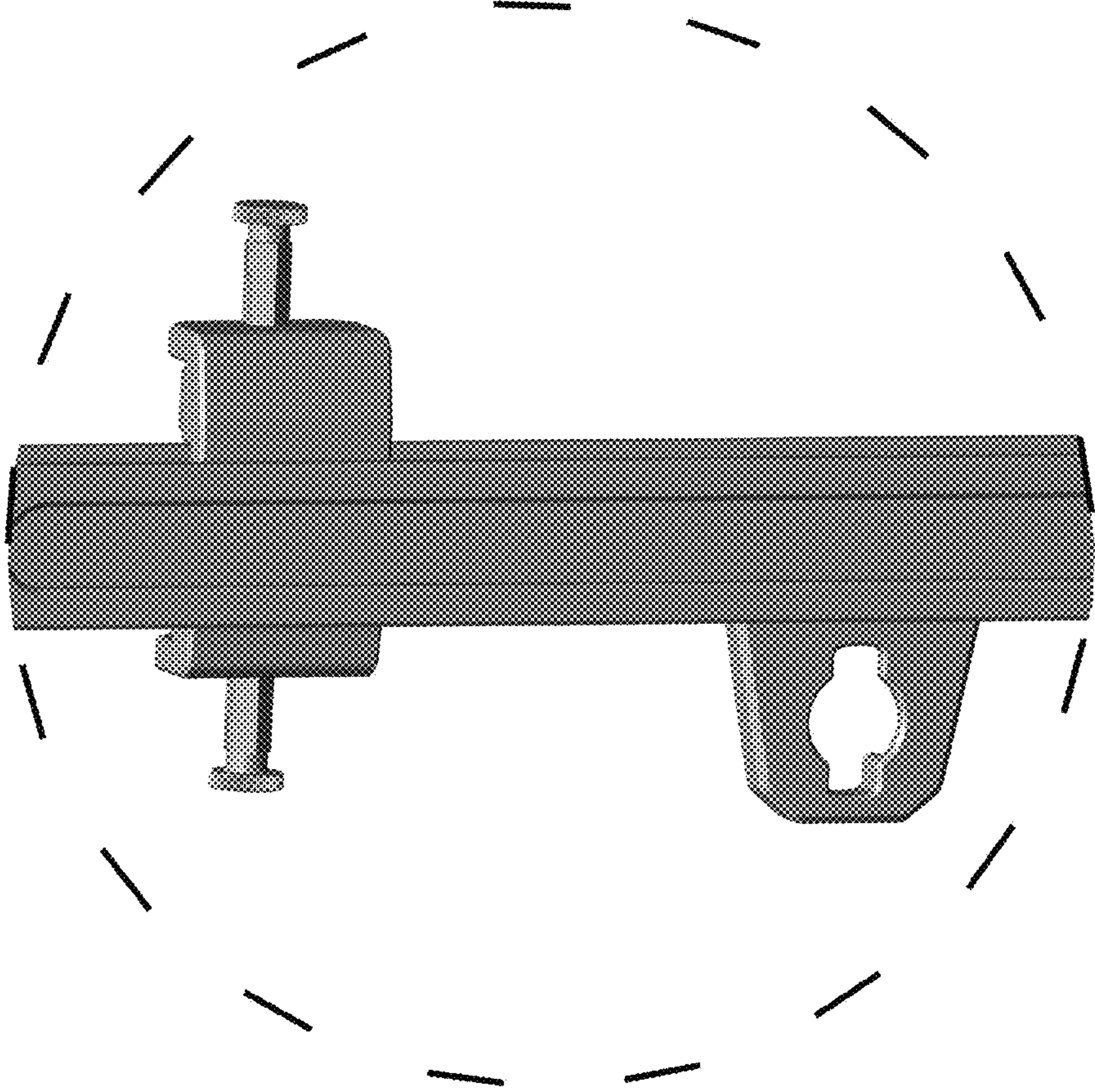


Fig. 49

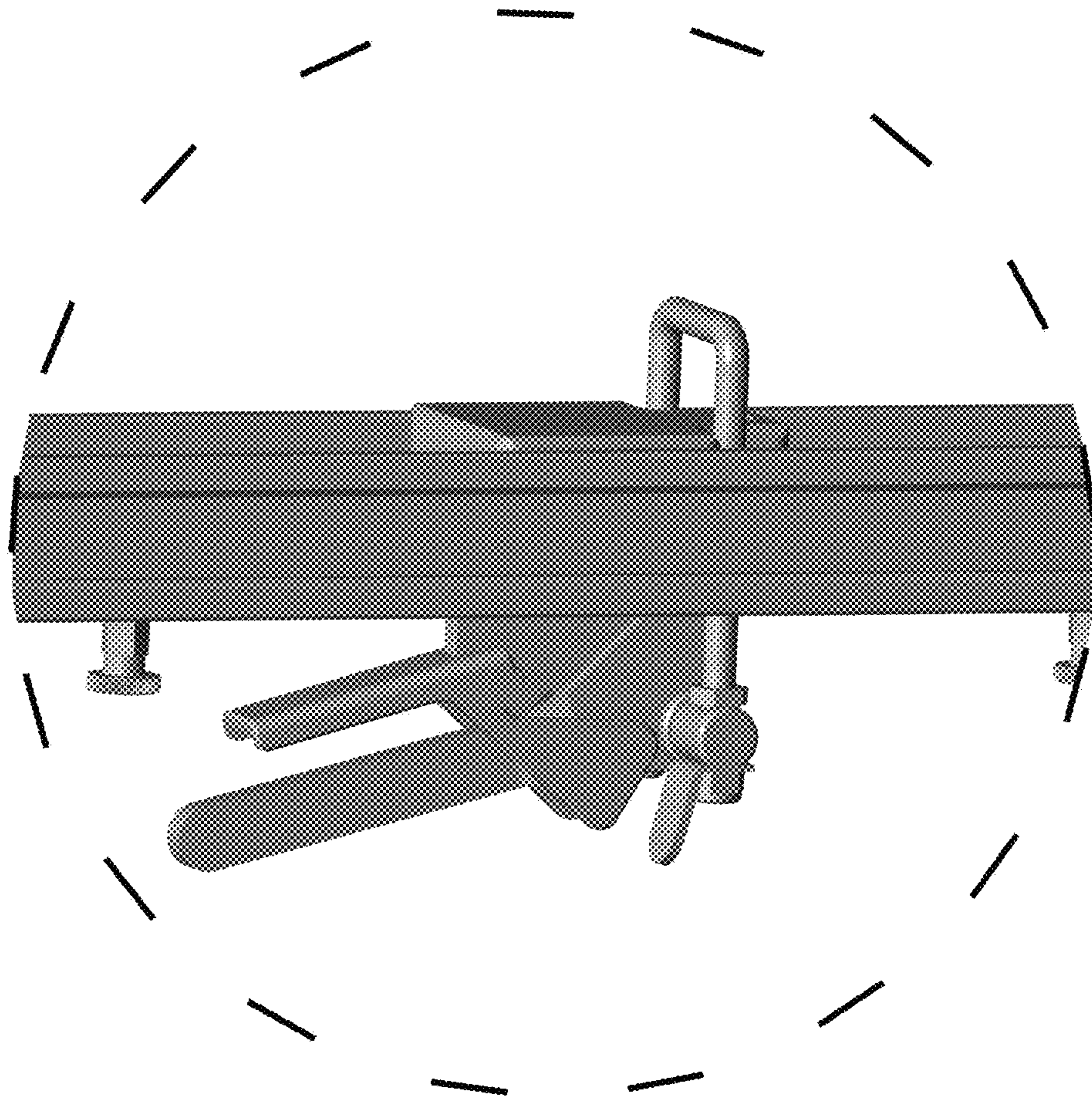


Fig. 50

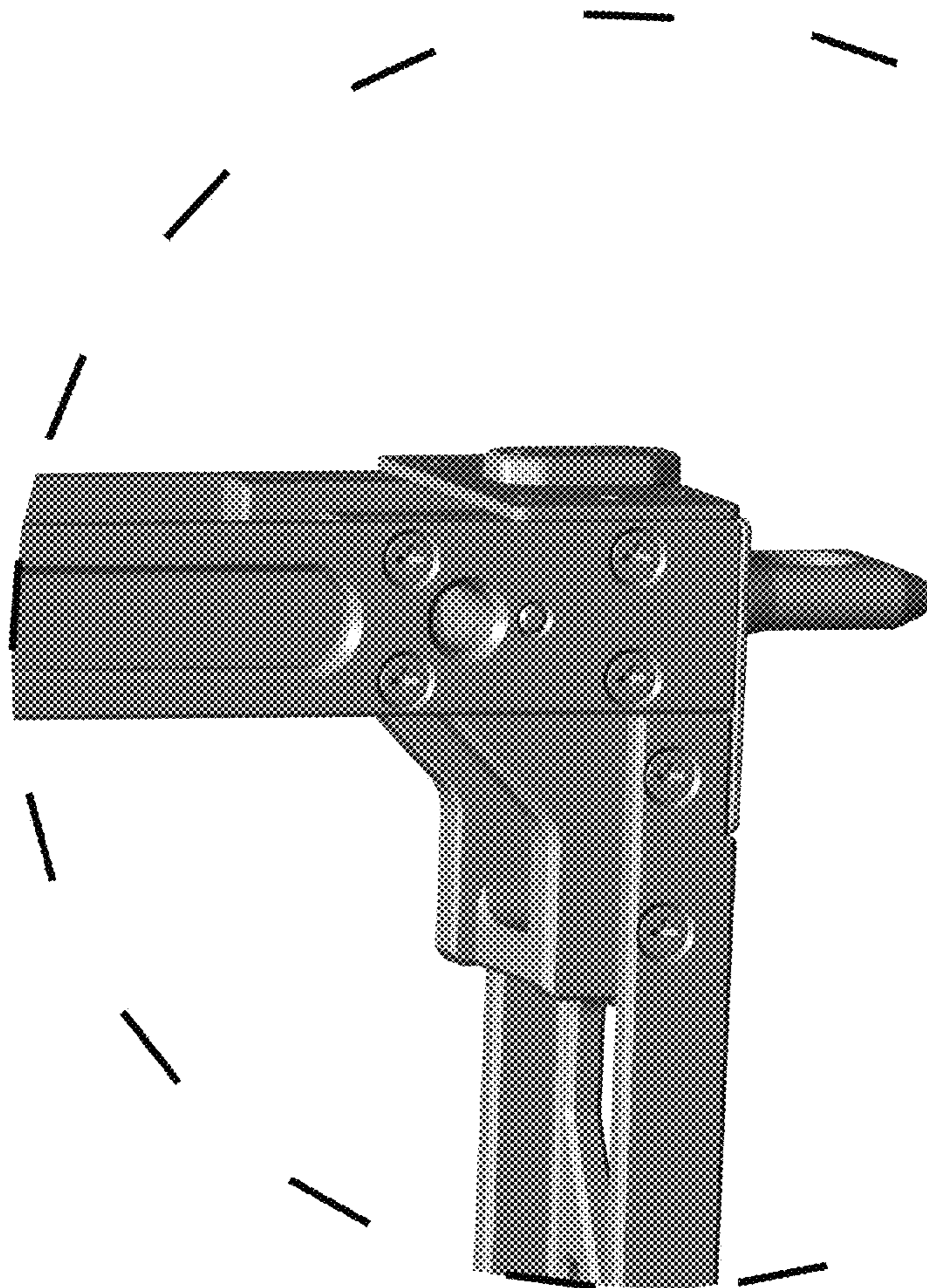


Fig. 51

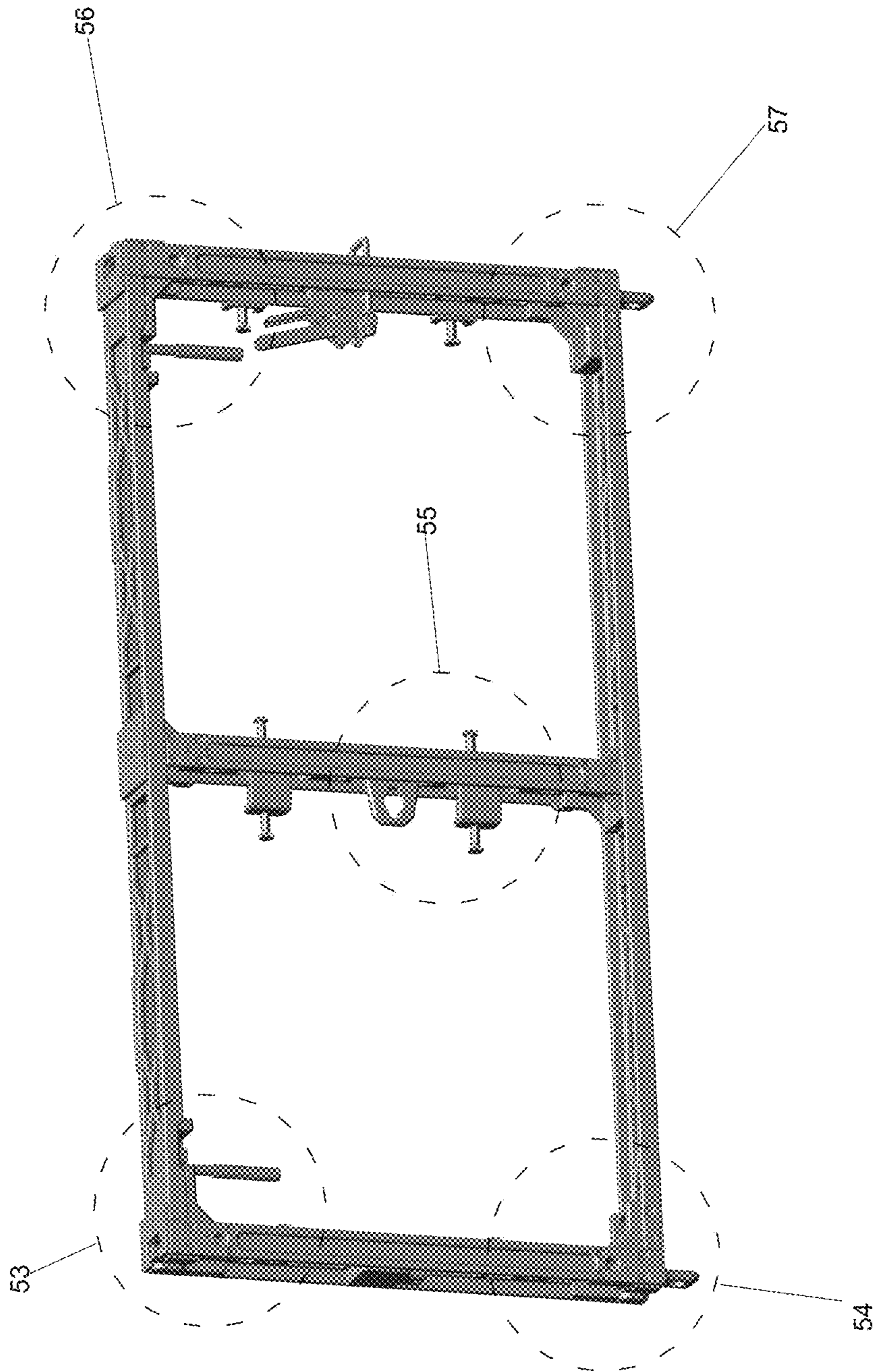


Fig. 52

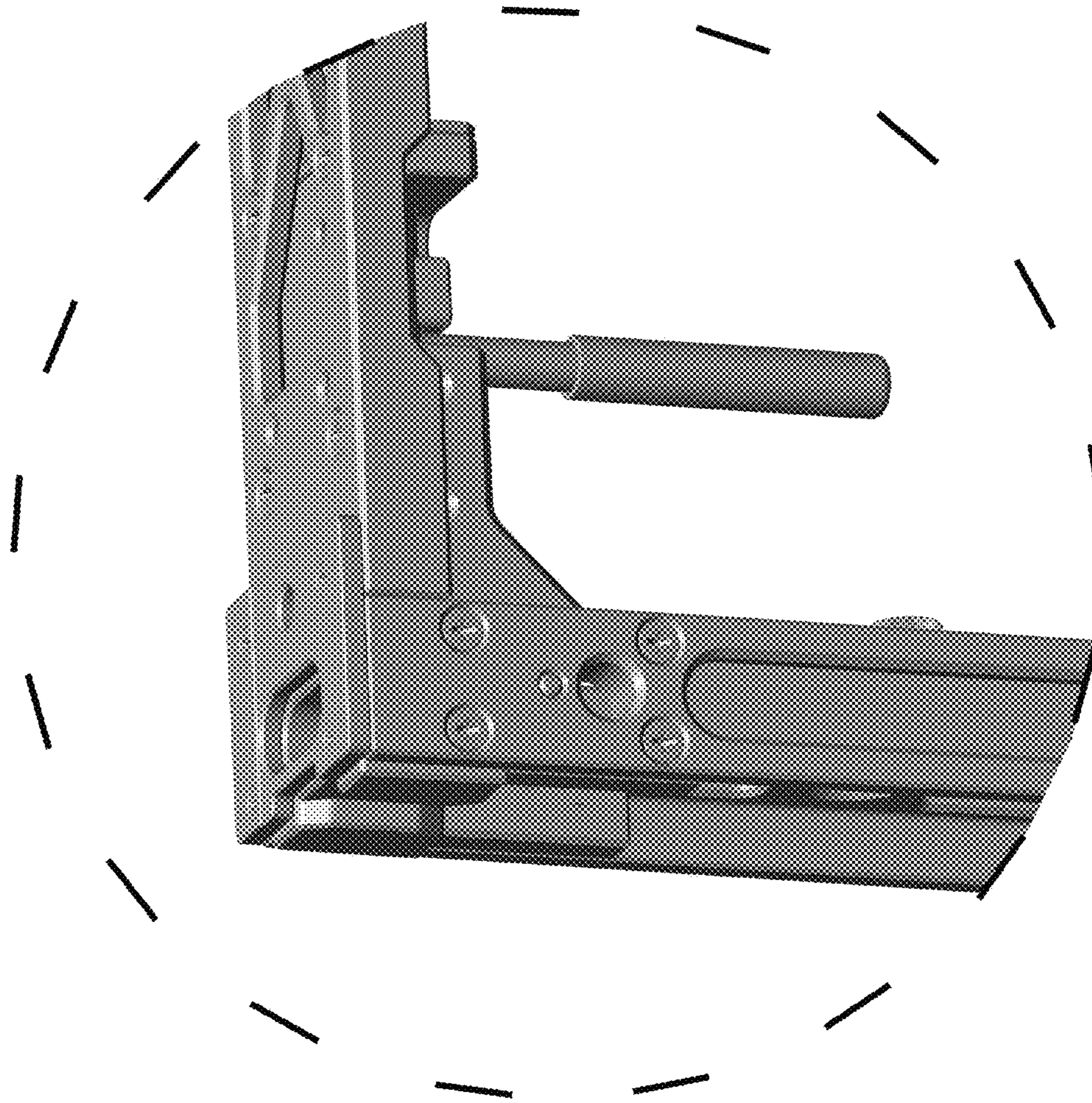


Fig. 53

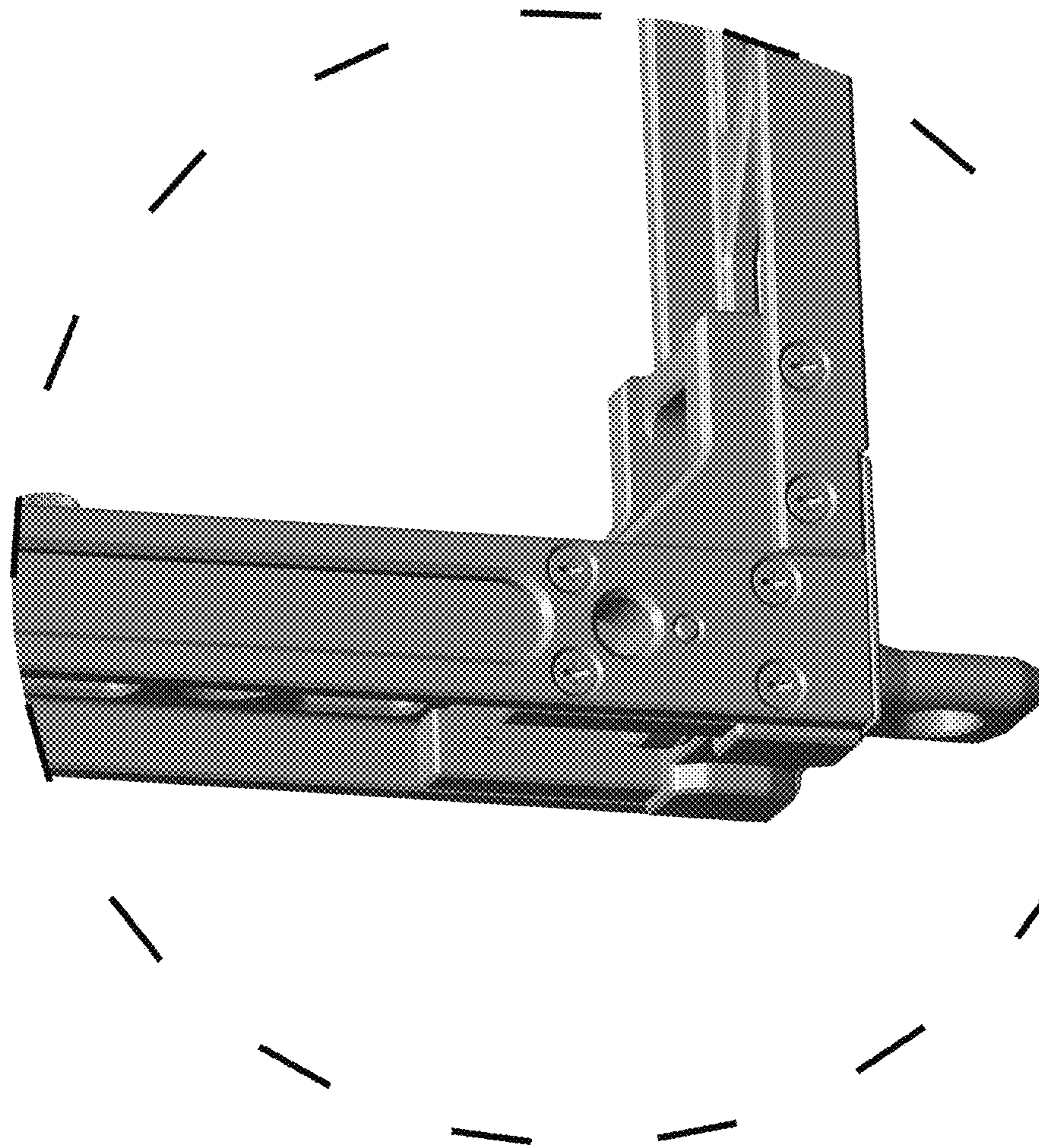


Fig. 54



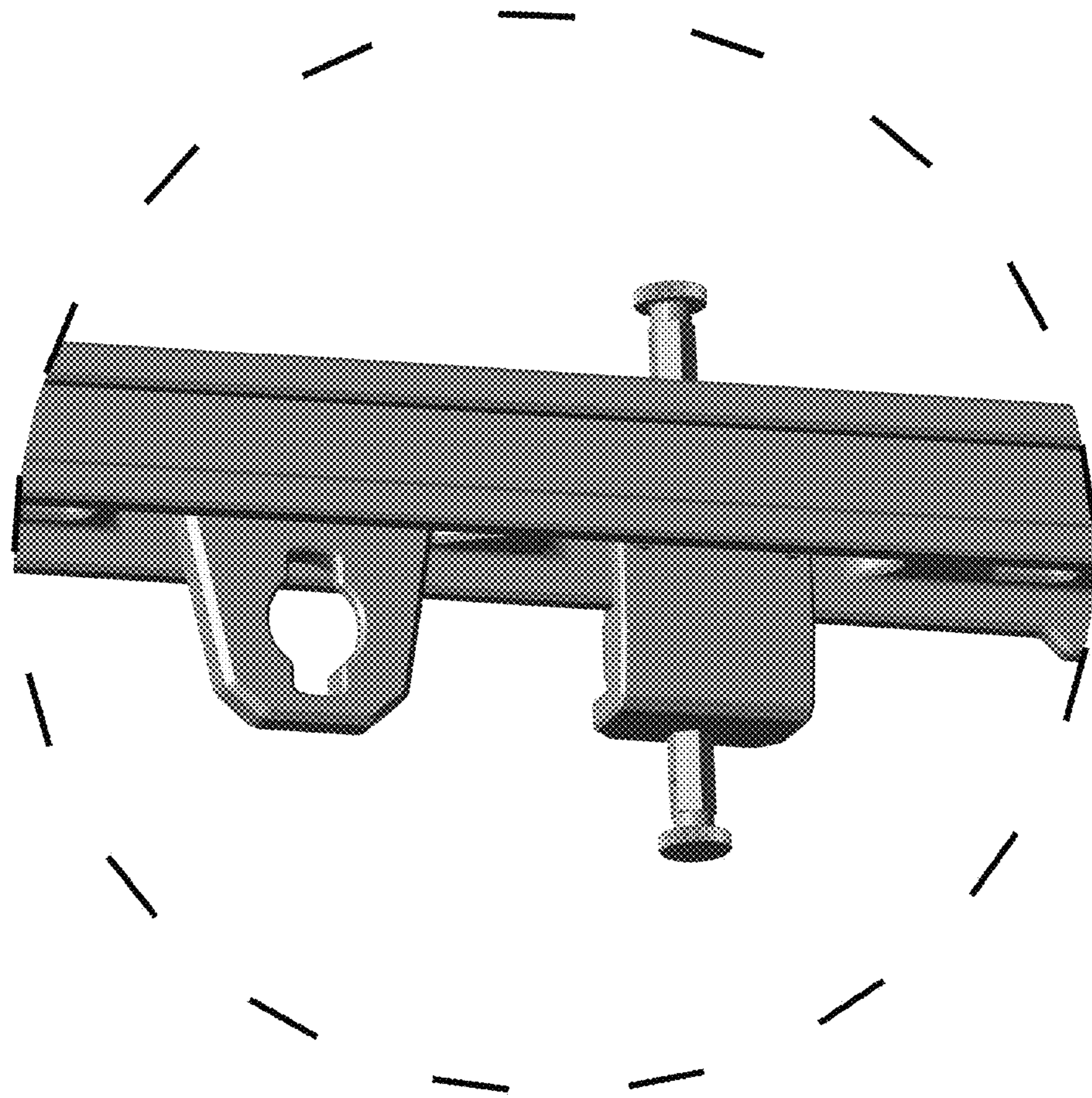


Fig. 55

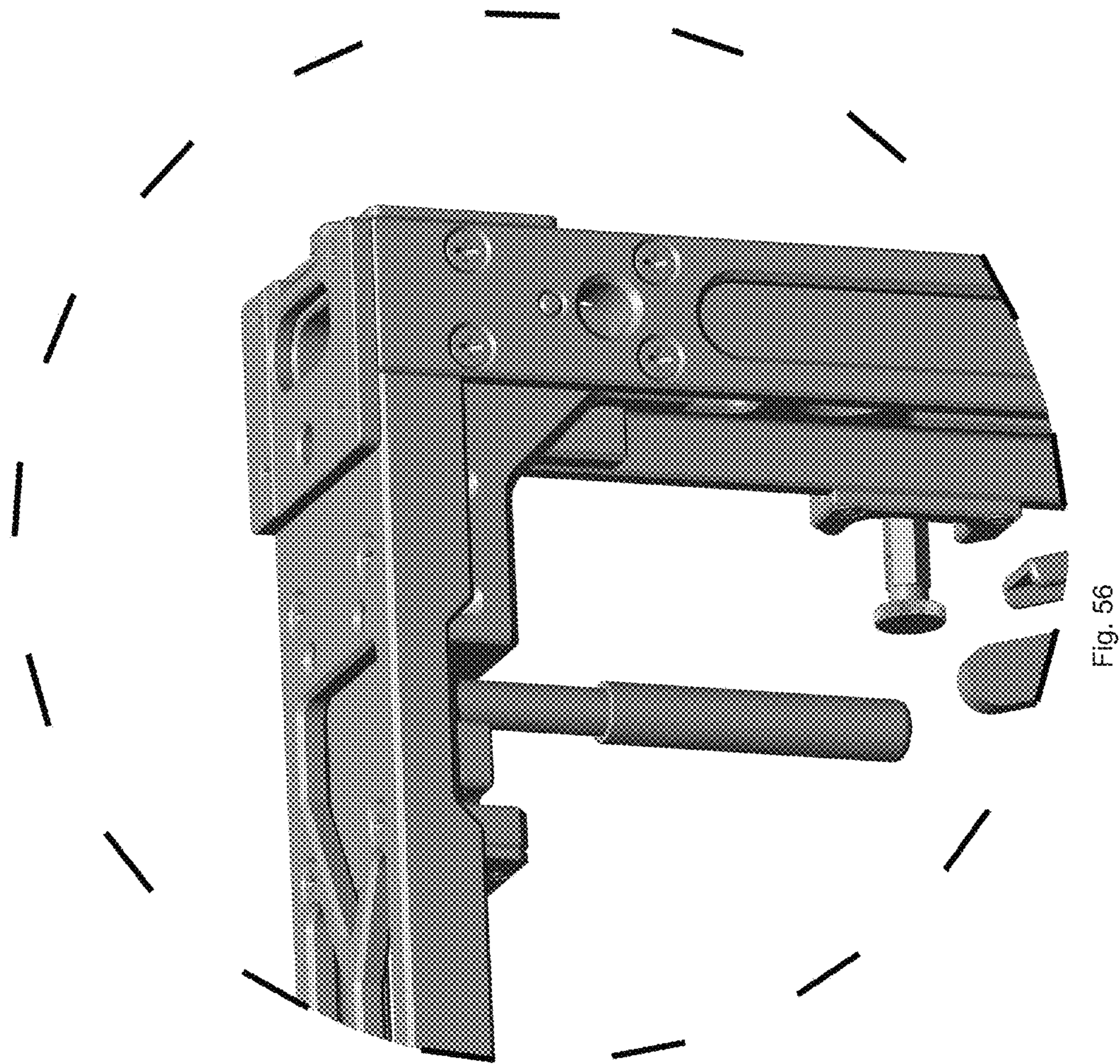


Fig. 56

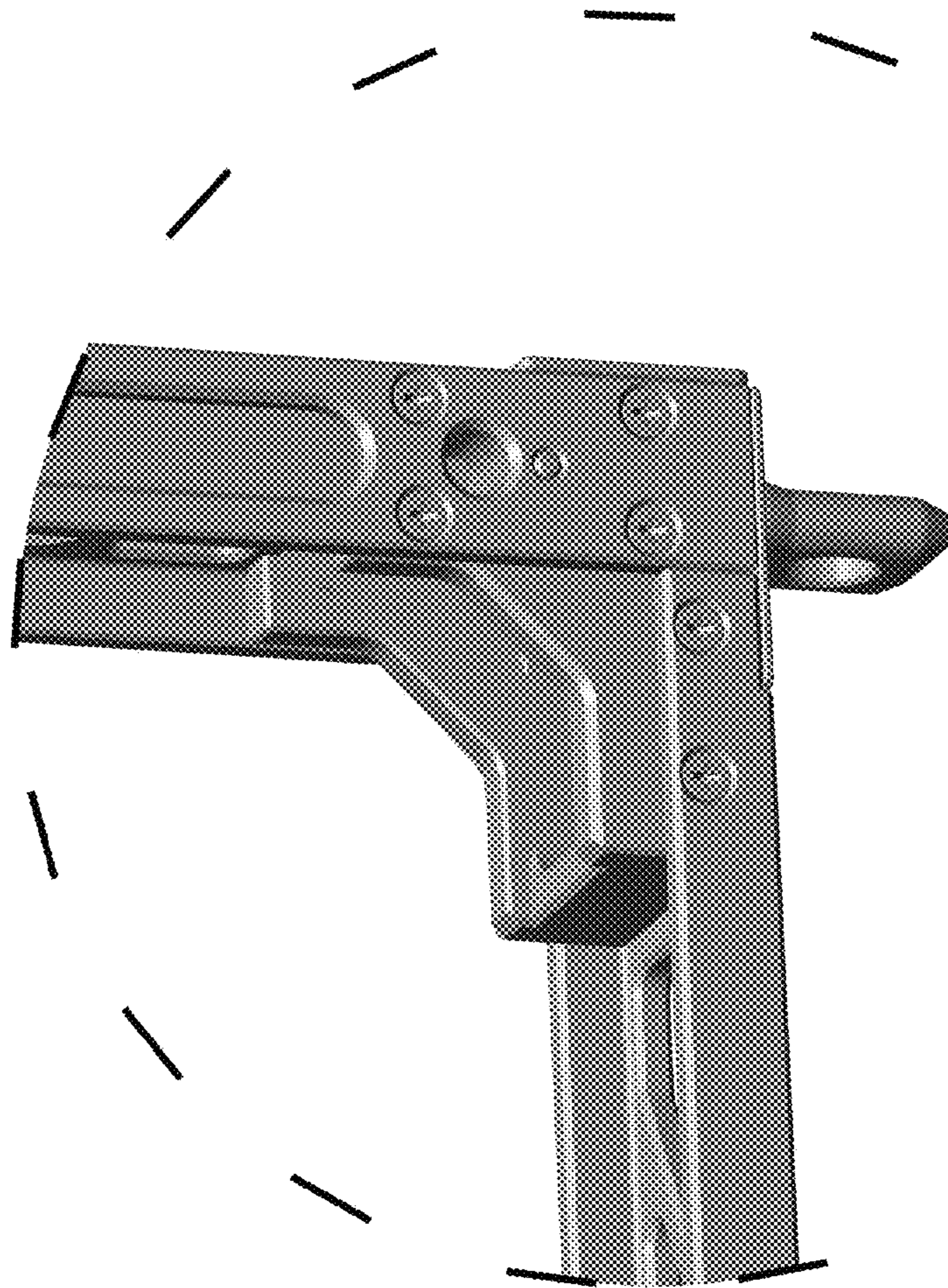


Fig. 57

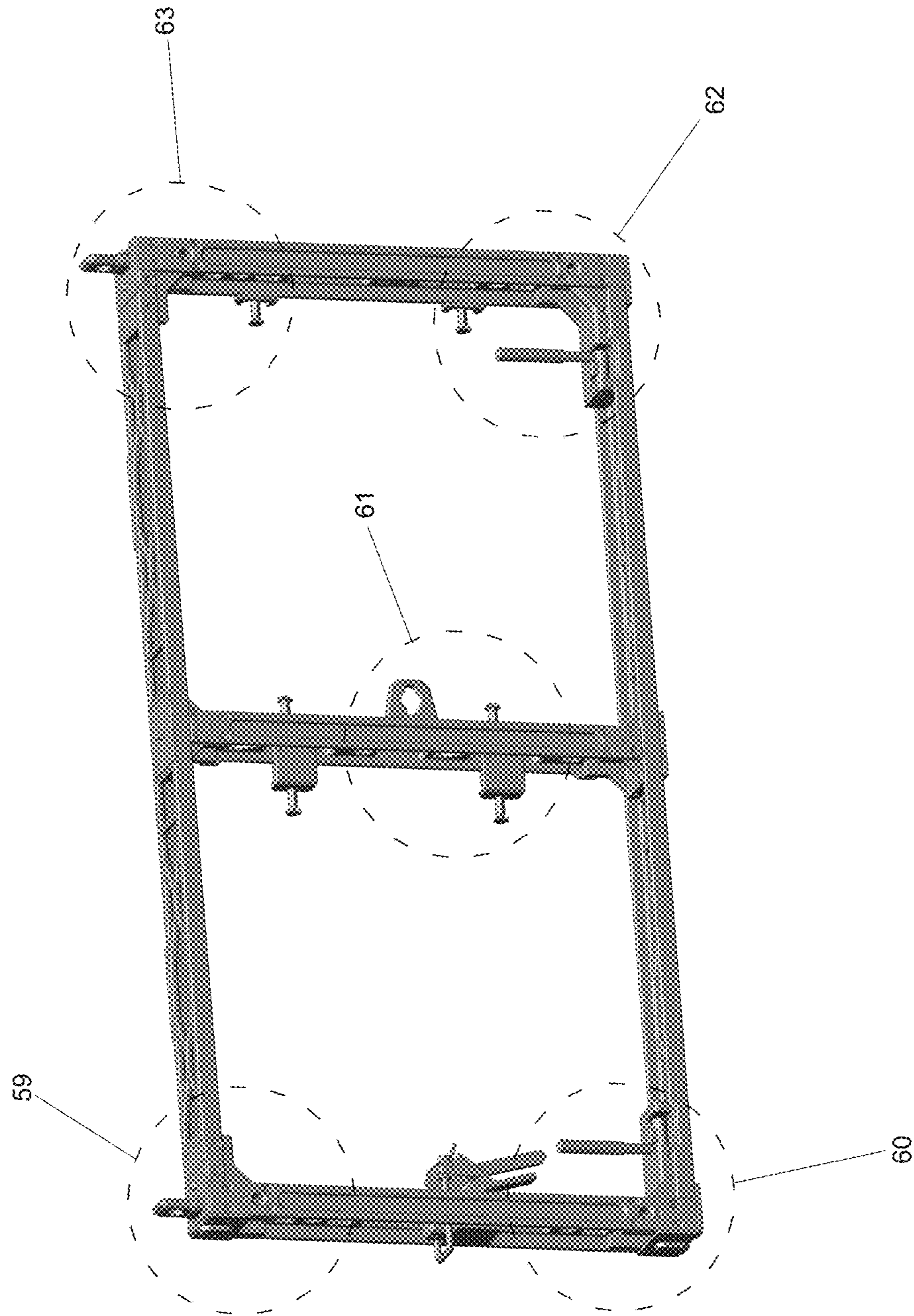


Fig. 58

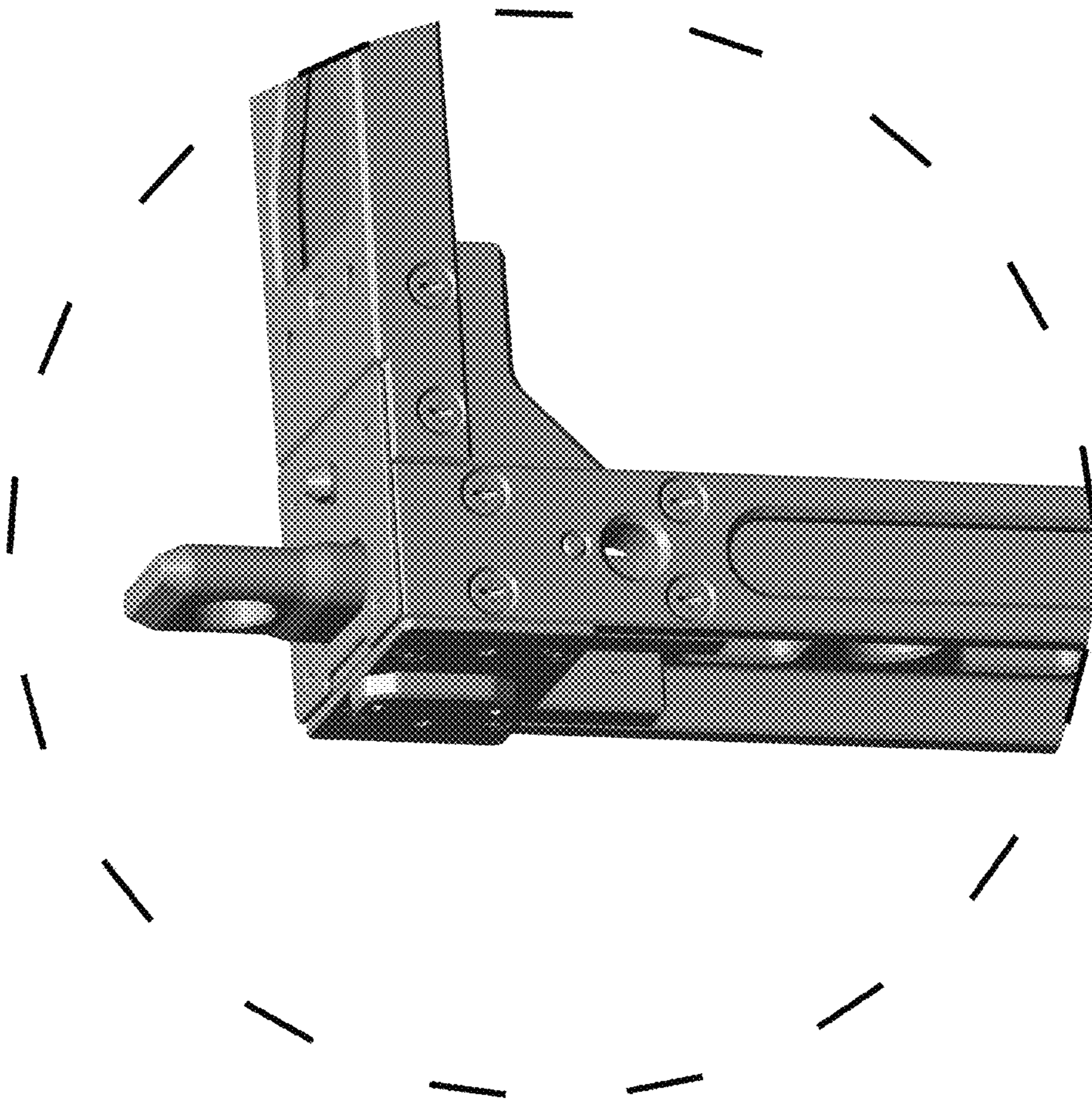


Fig. 59

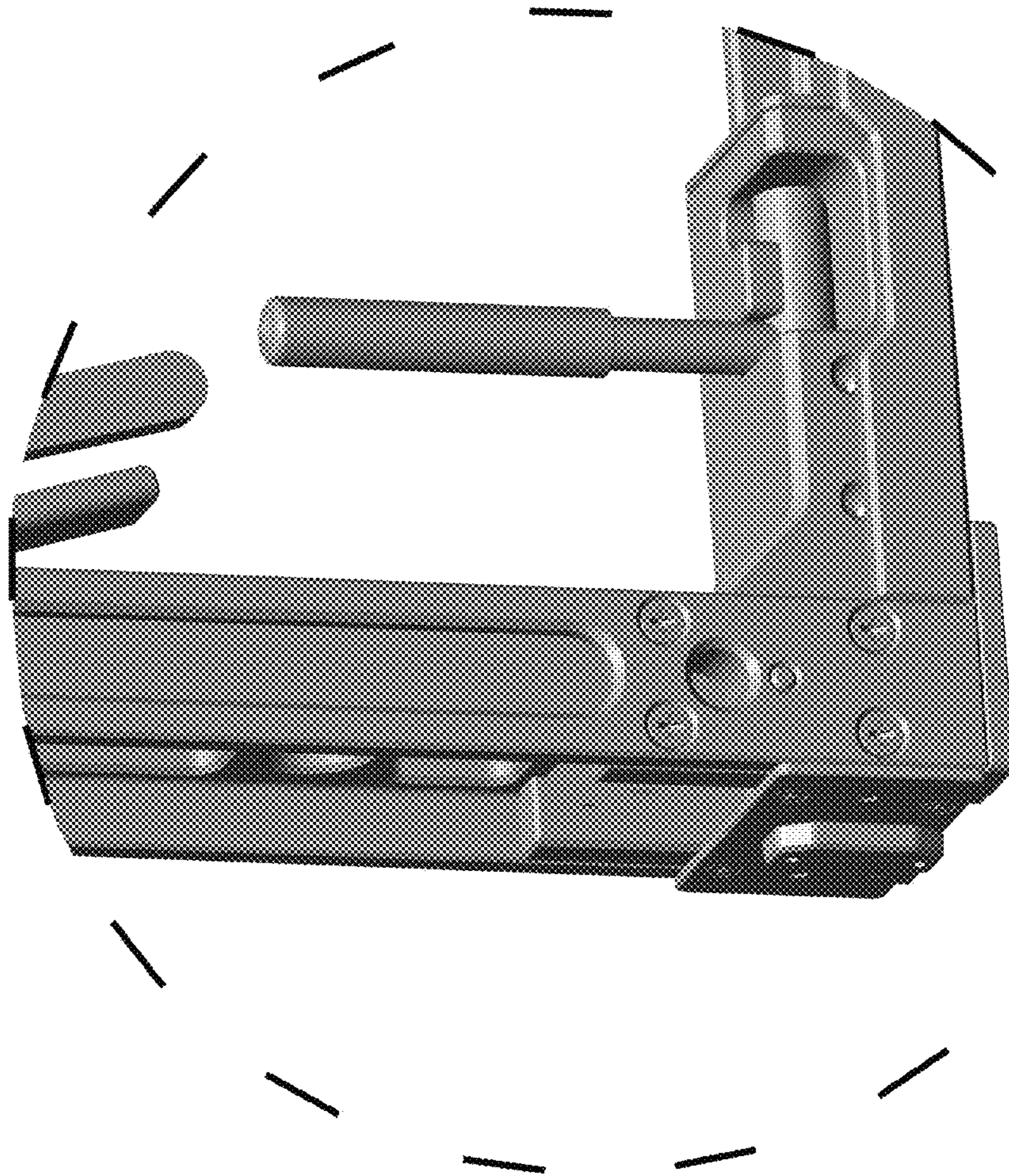


Fig. 60

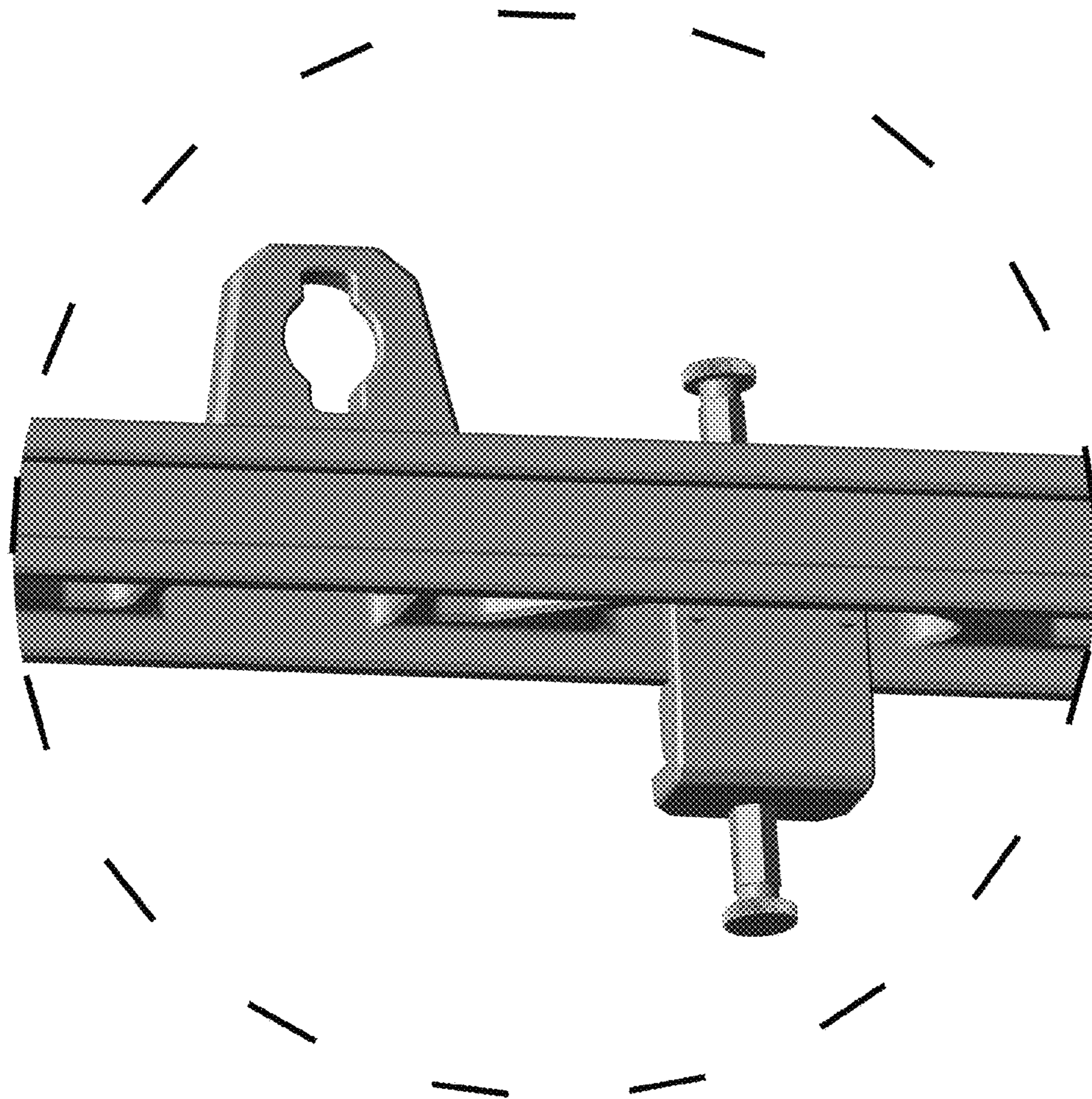


Fig. 61

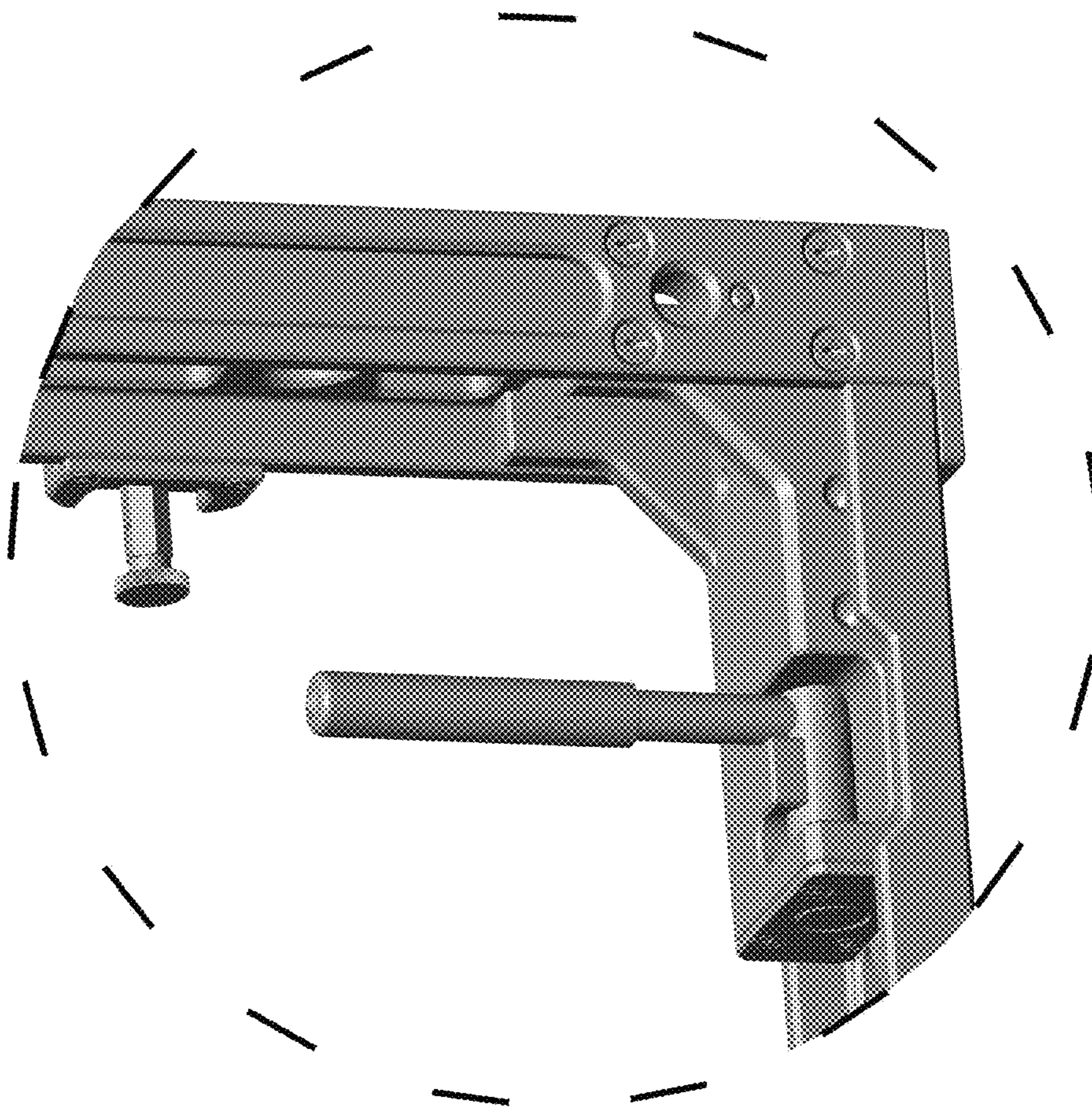


Fig. 62



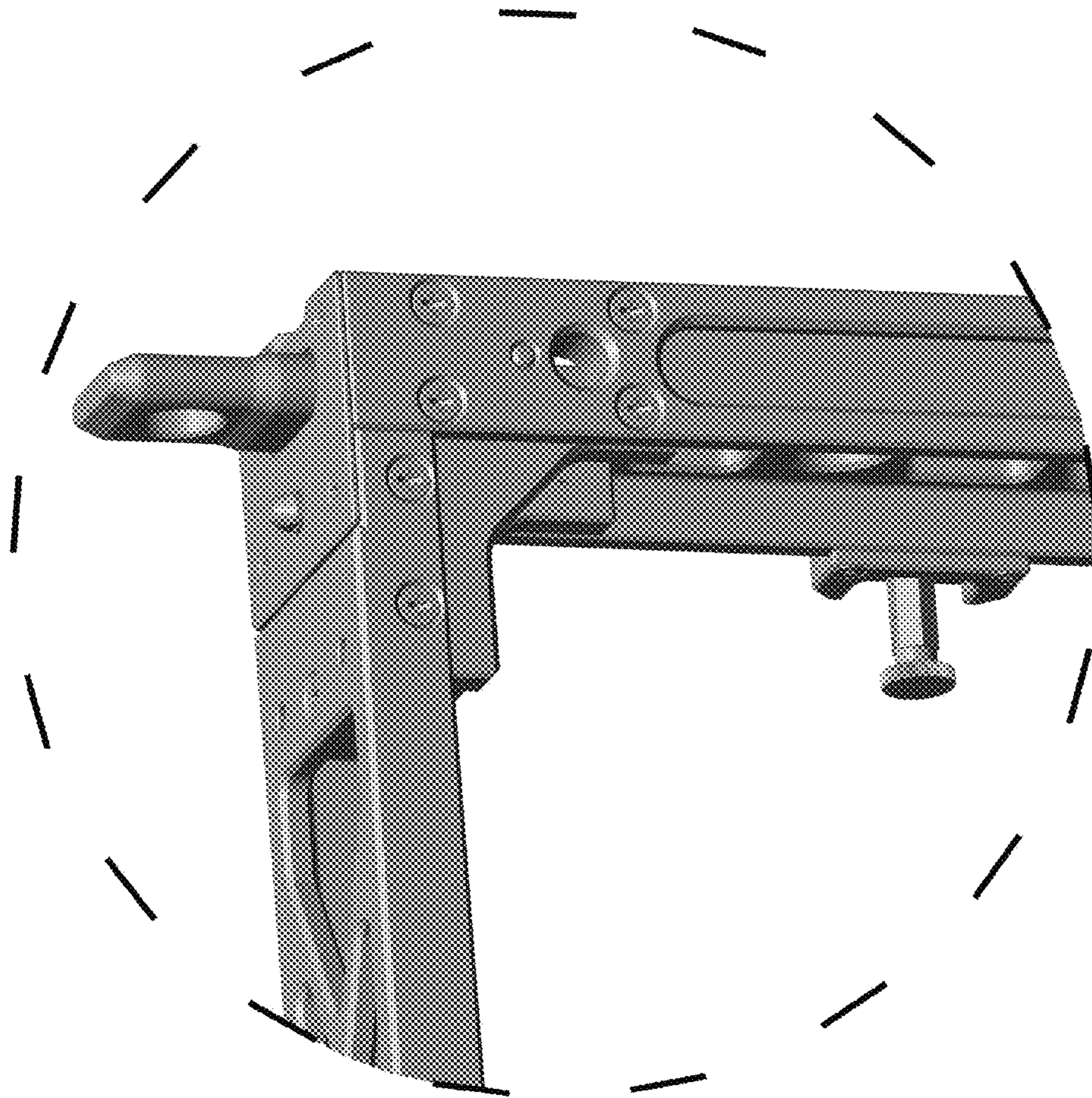


Fig. 63

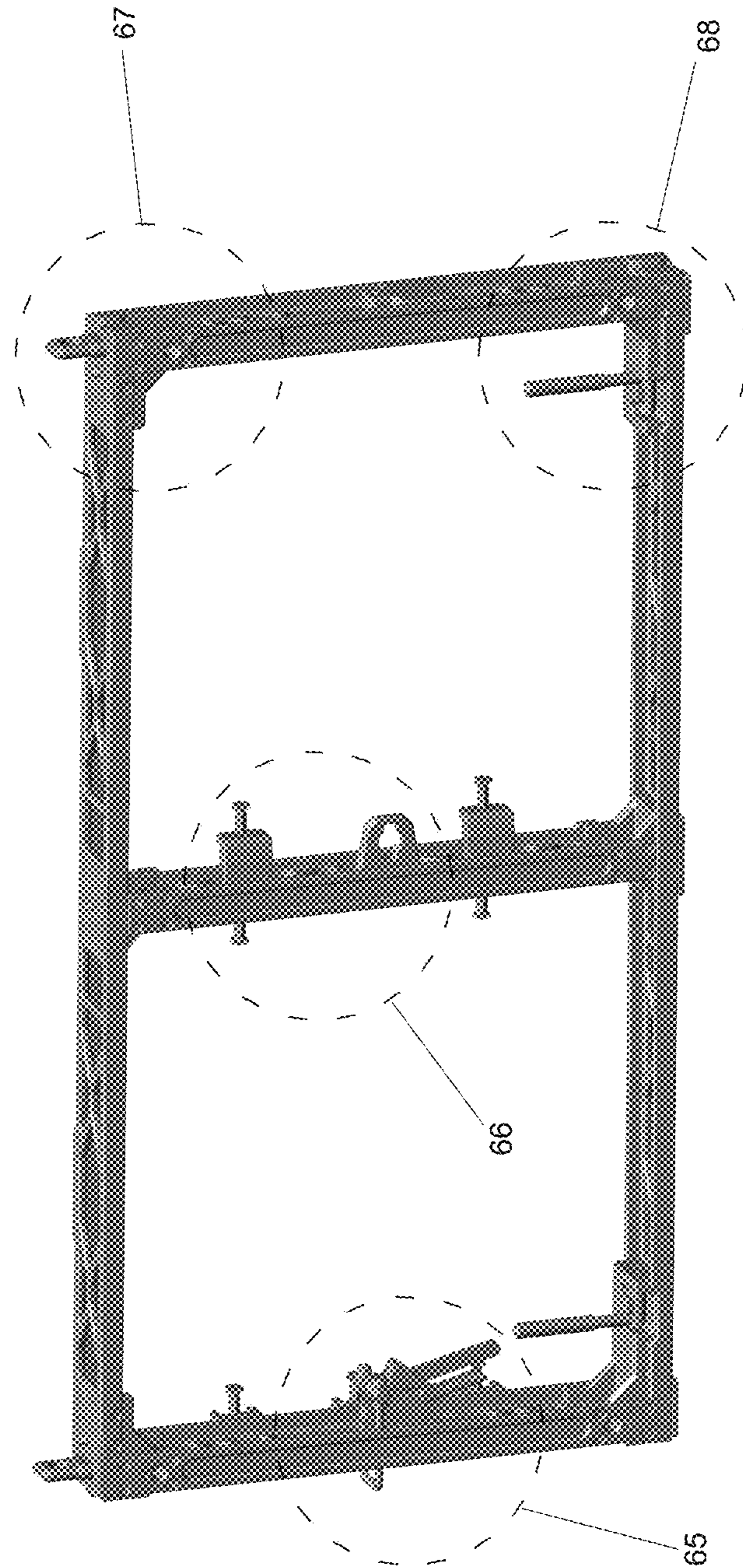


Fig. 64

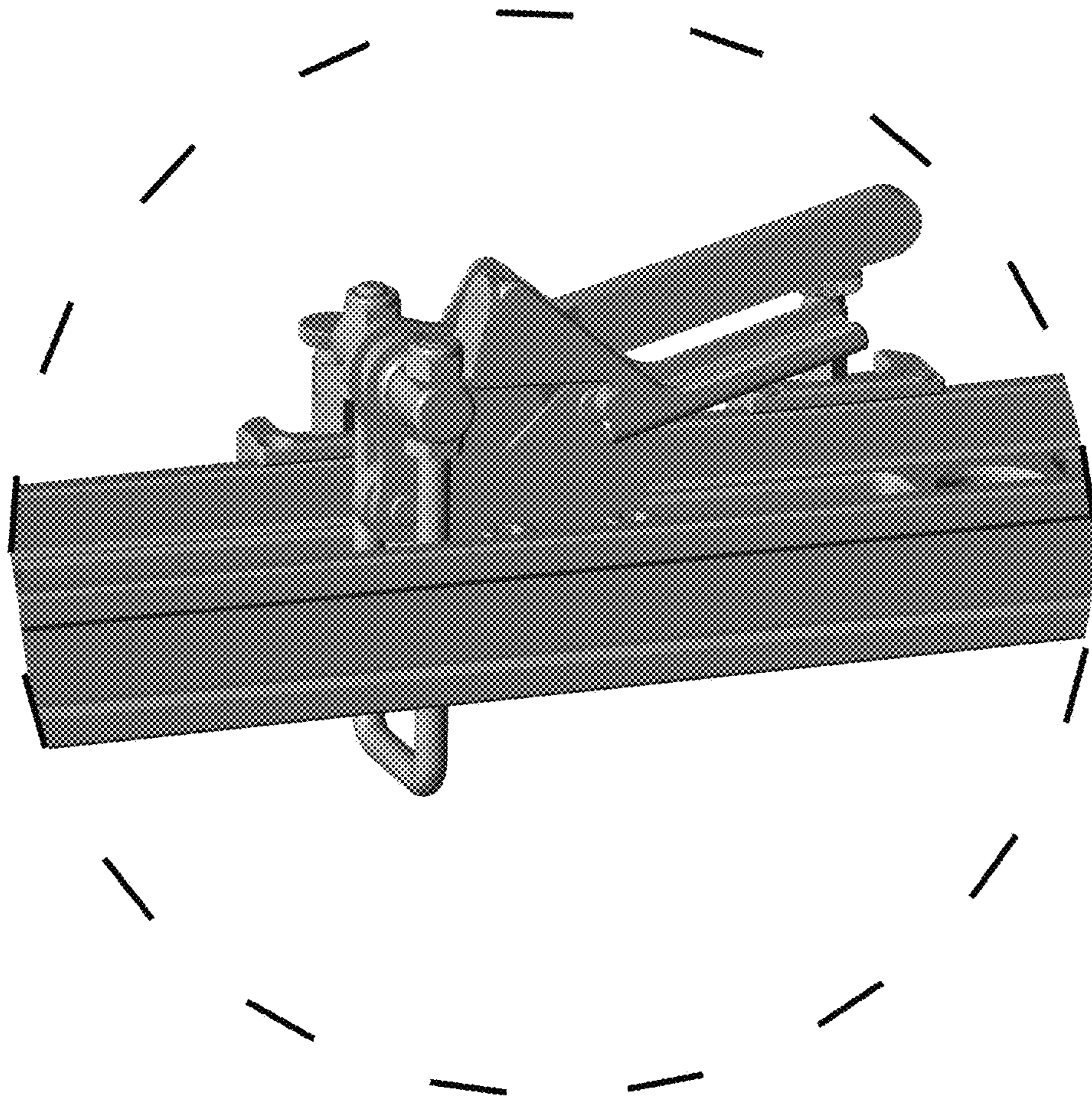


Fig. 65

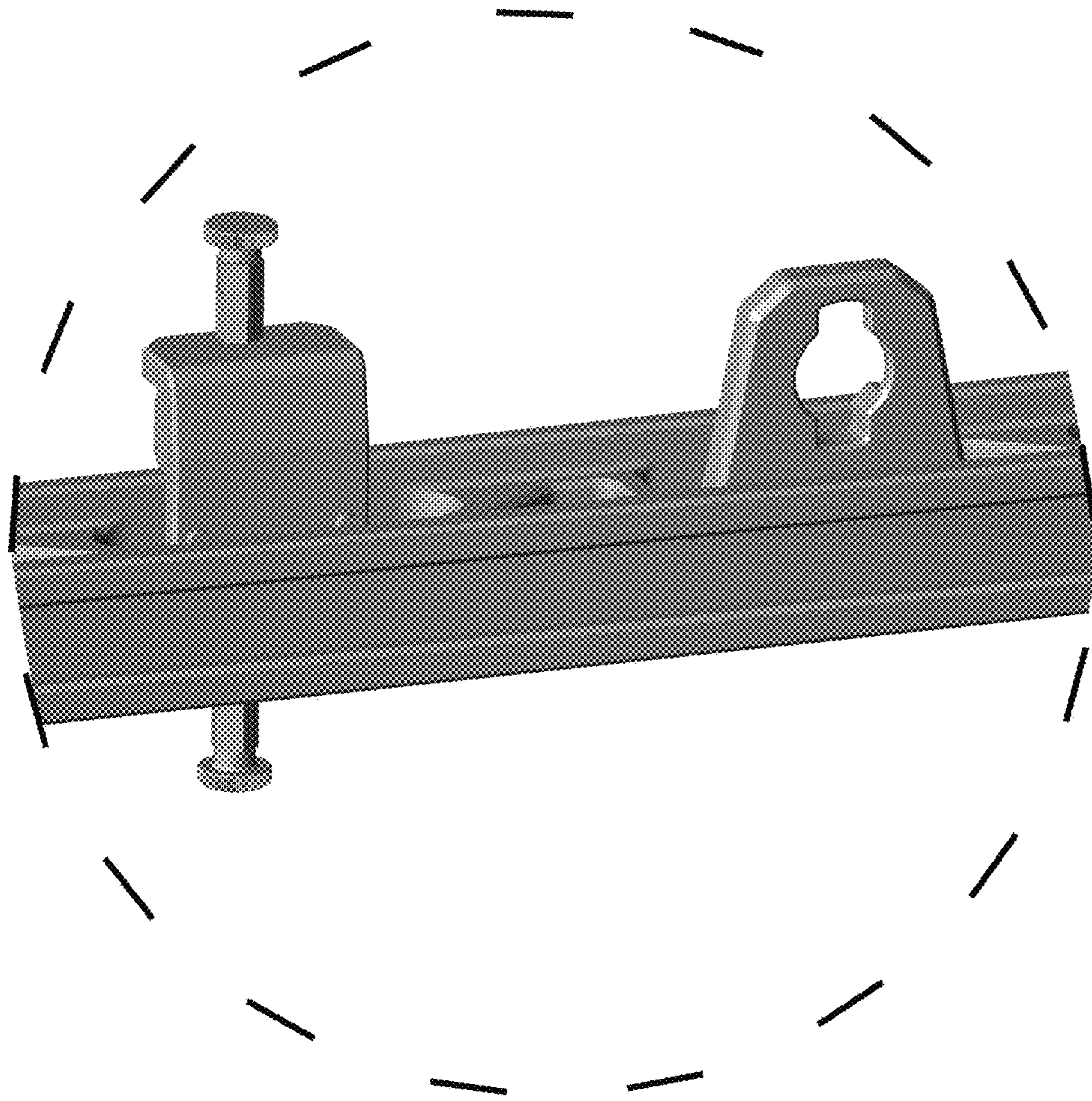


Fig. 66

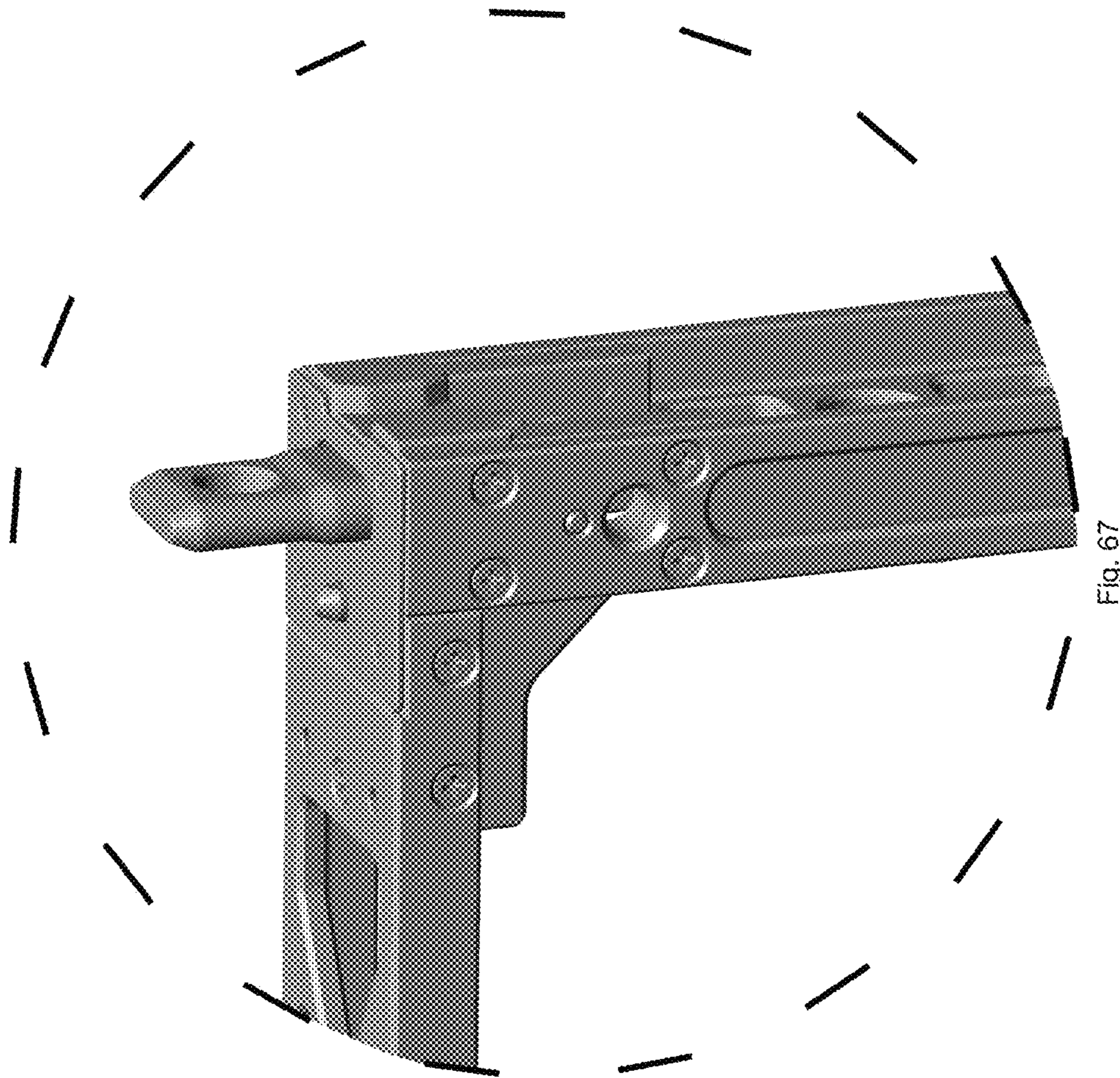


Fig. 67

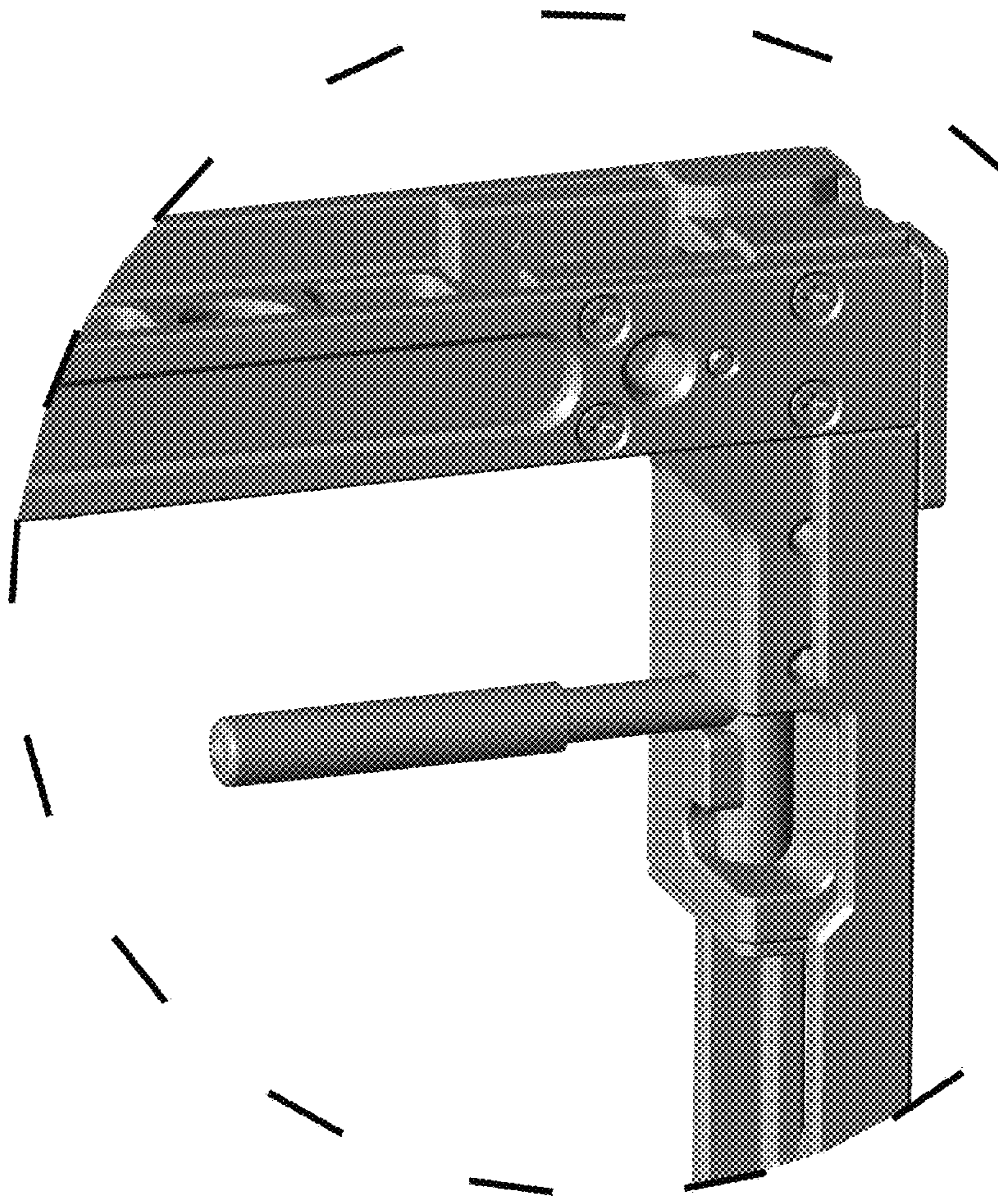


Fig. 68

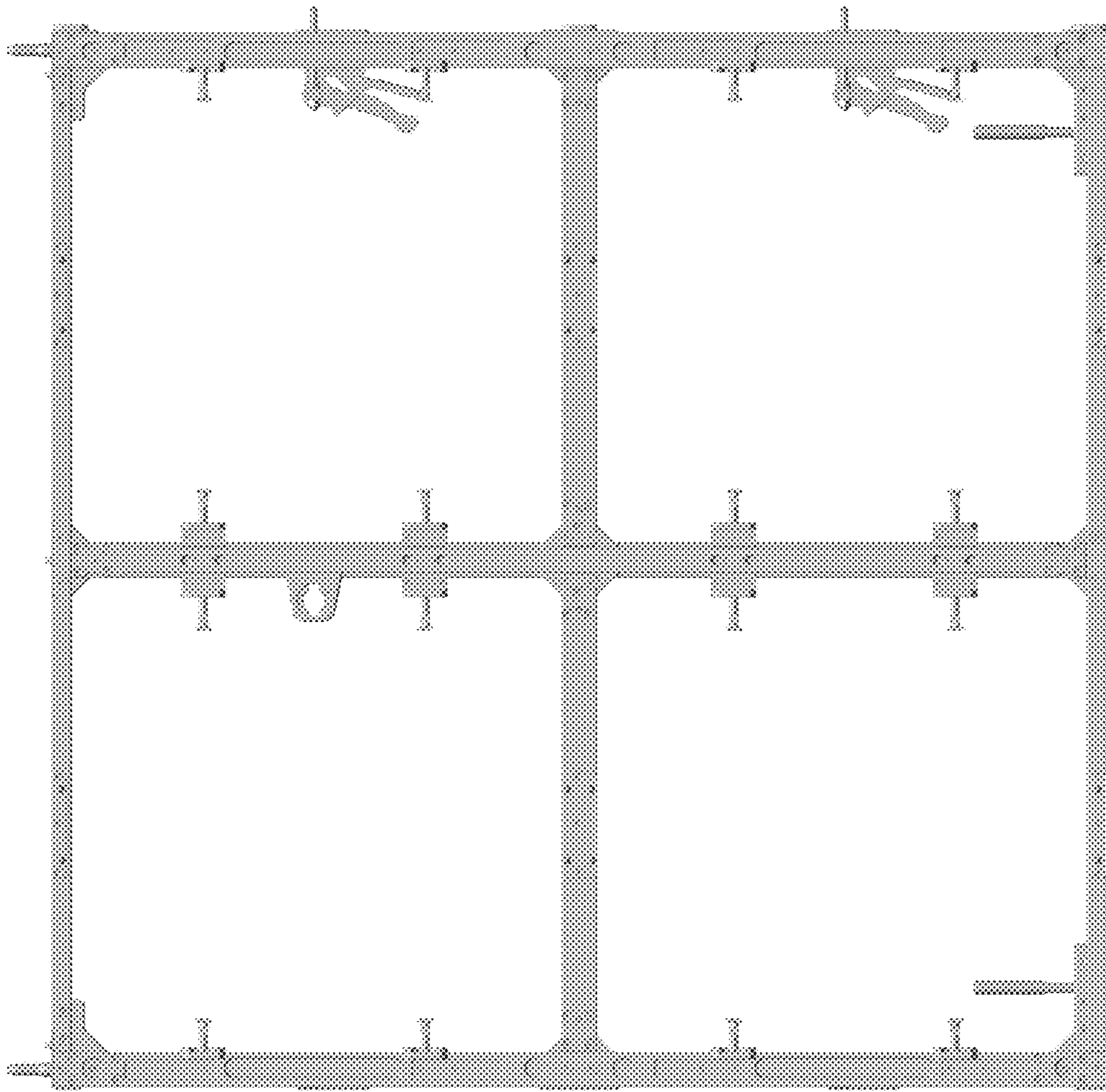


Fig. 69

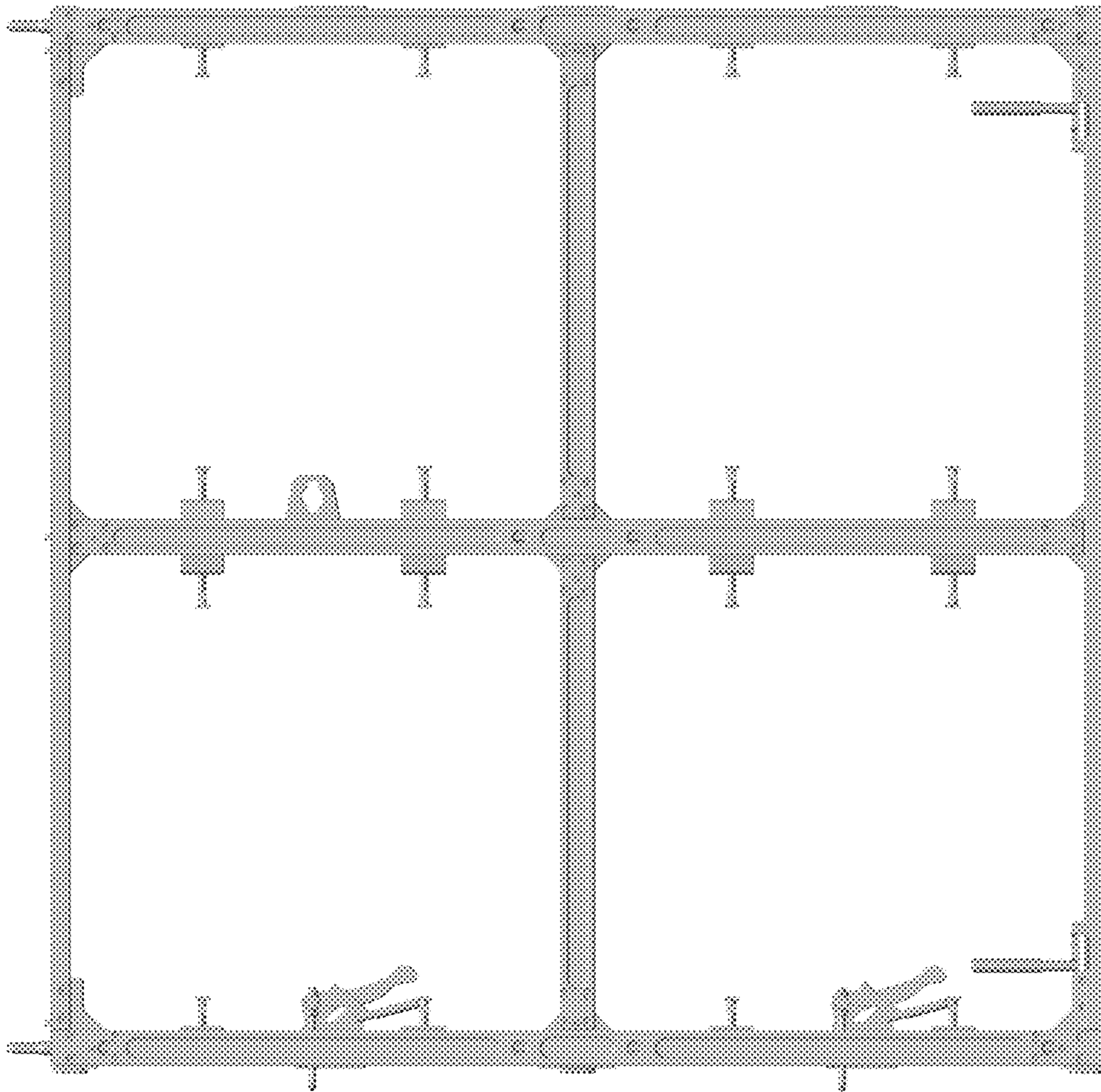


Fig. 70





Fig. 71



Fig. 72



Fig. 73

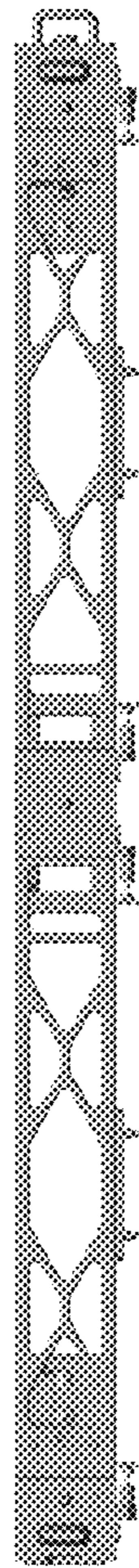


Fig. 74

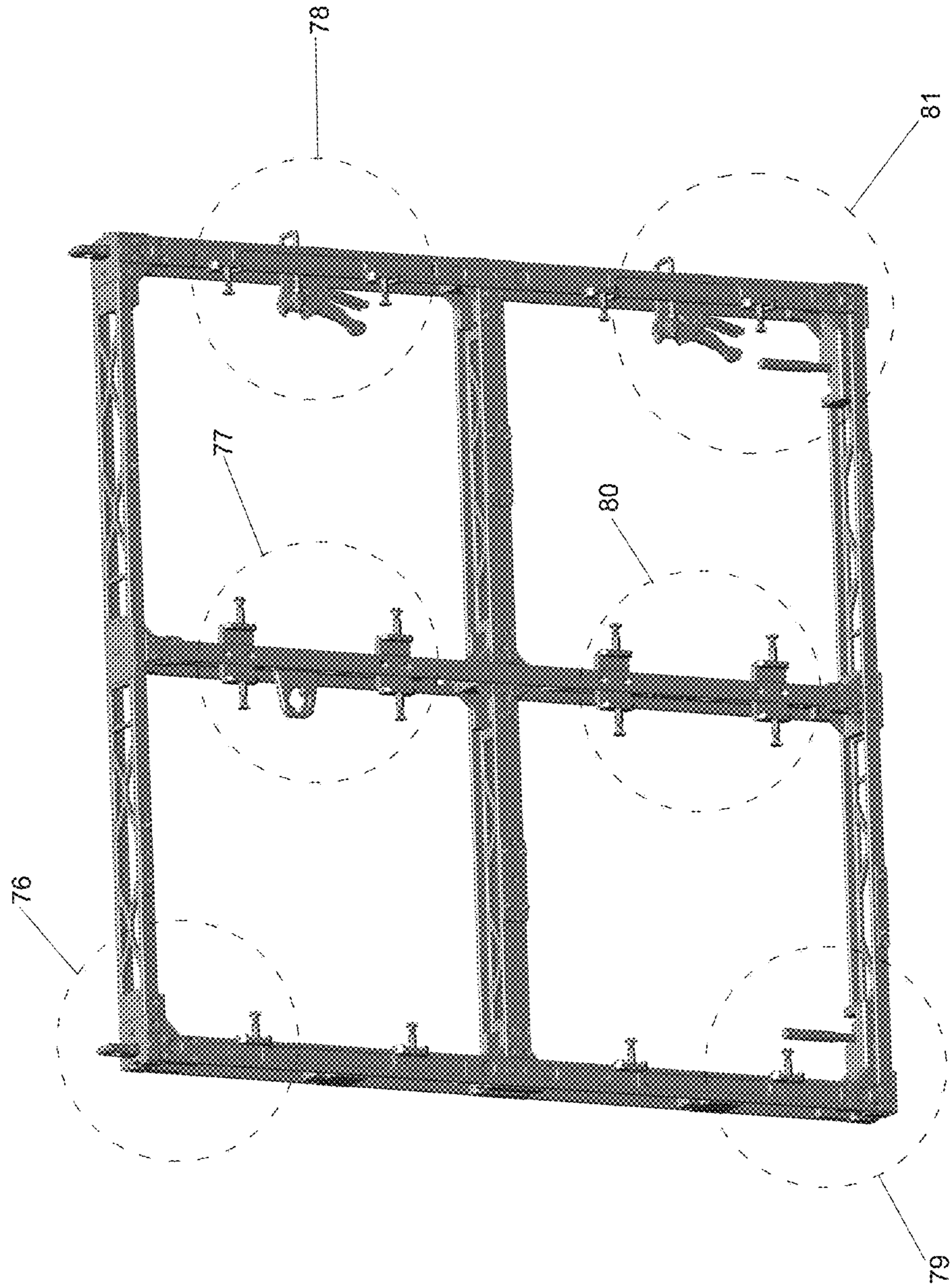


Fig. 75

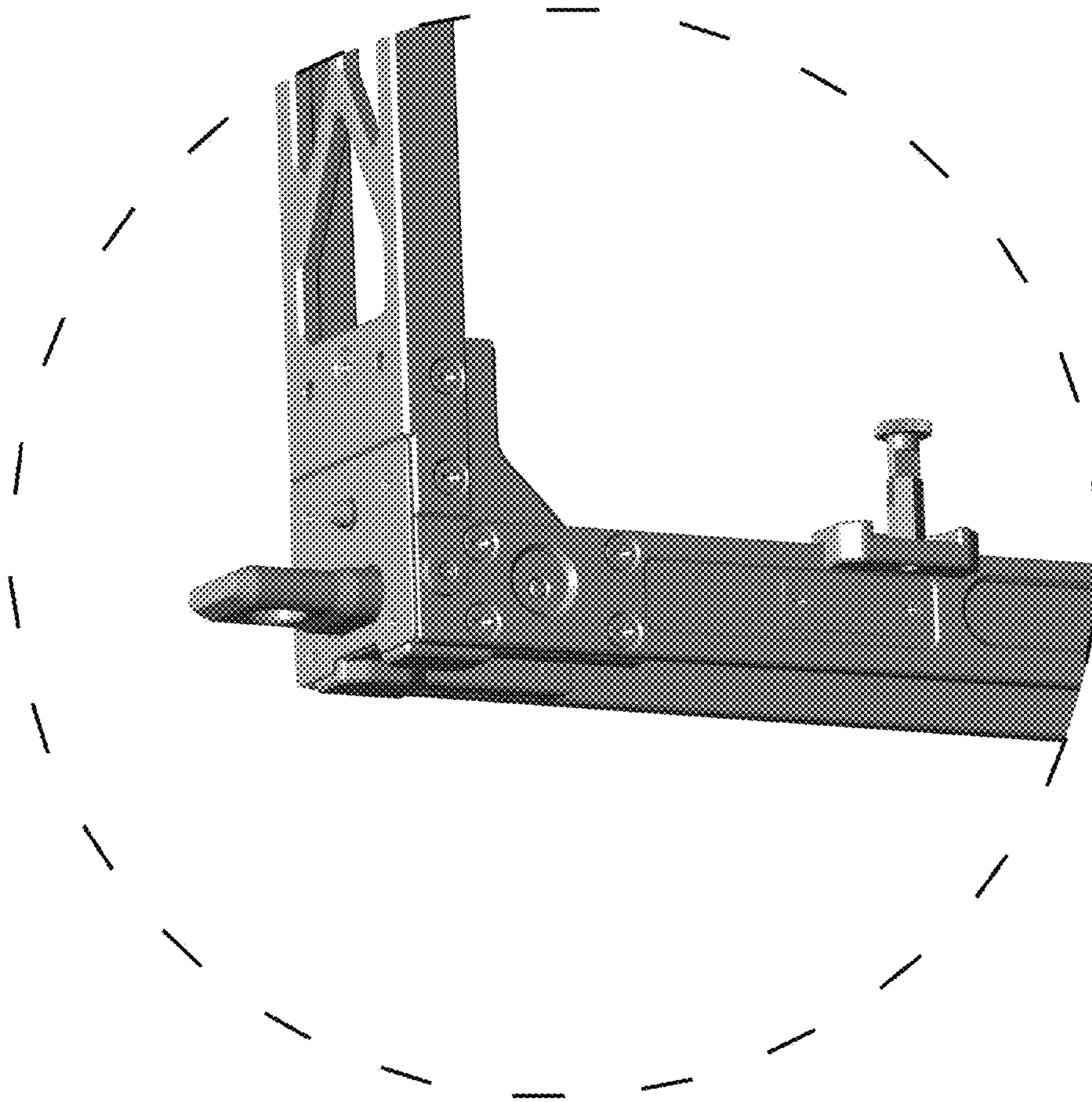


Fig. 76

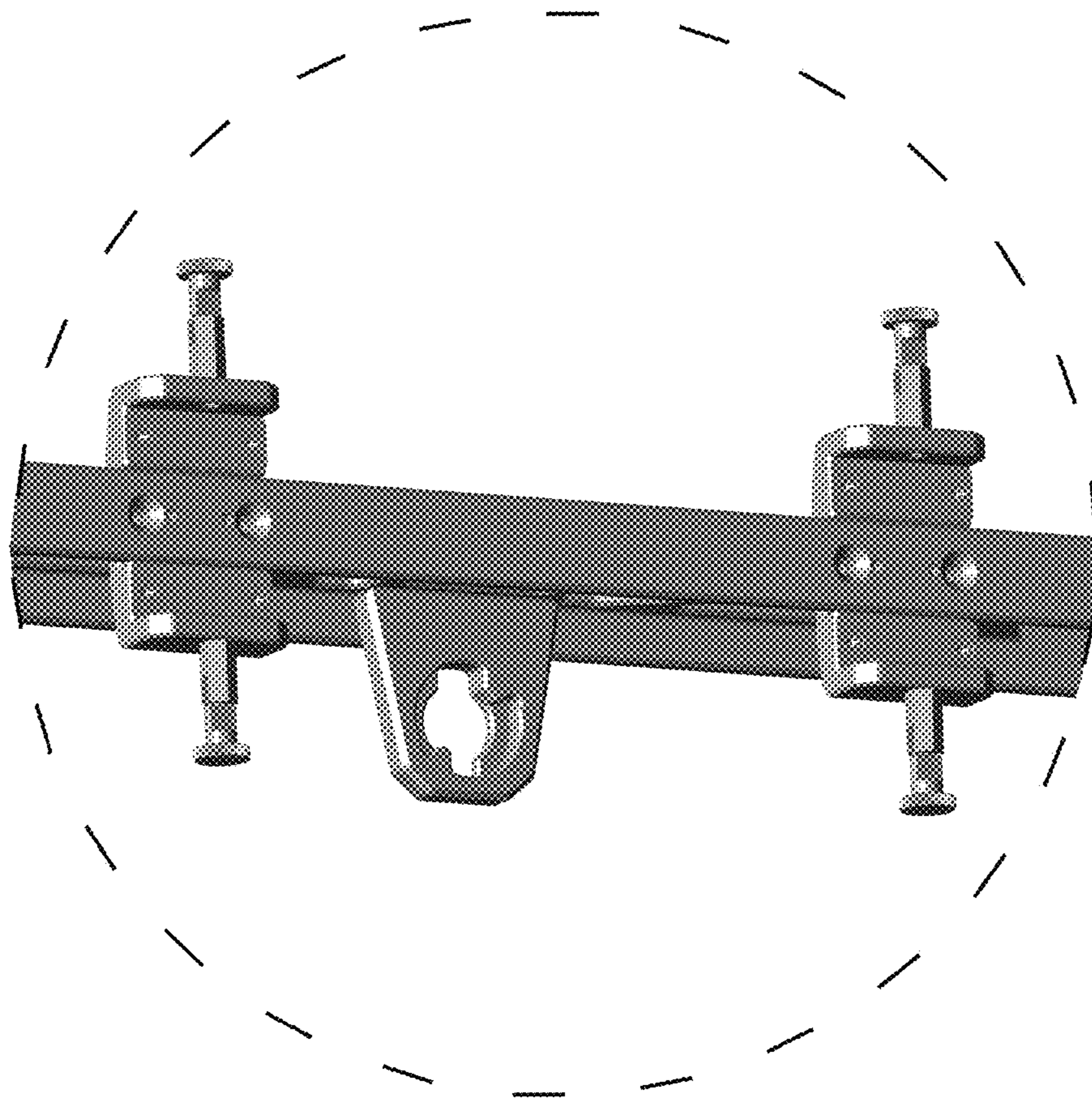


Fig. 77

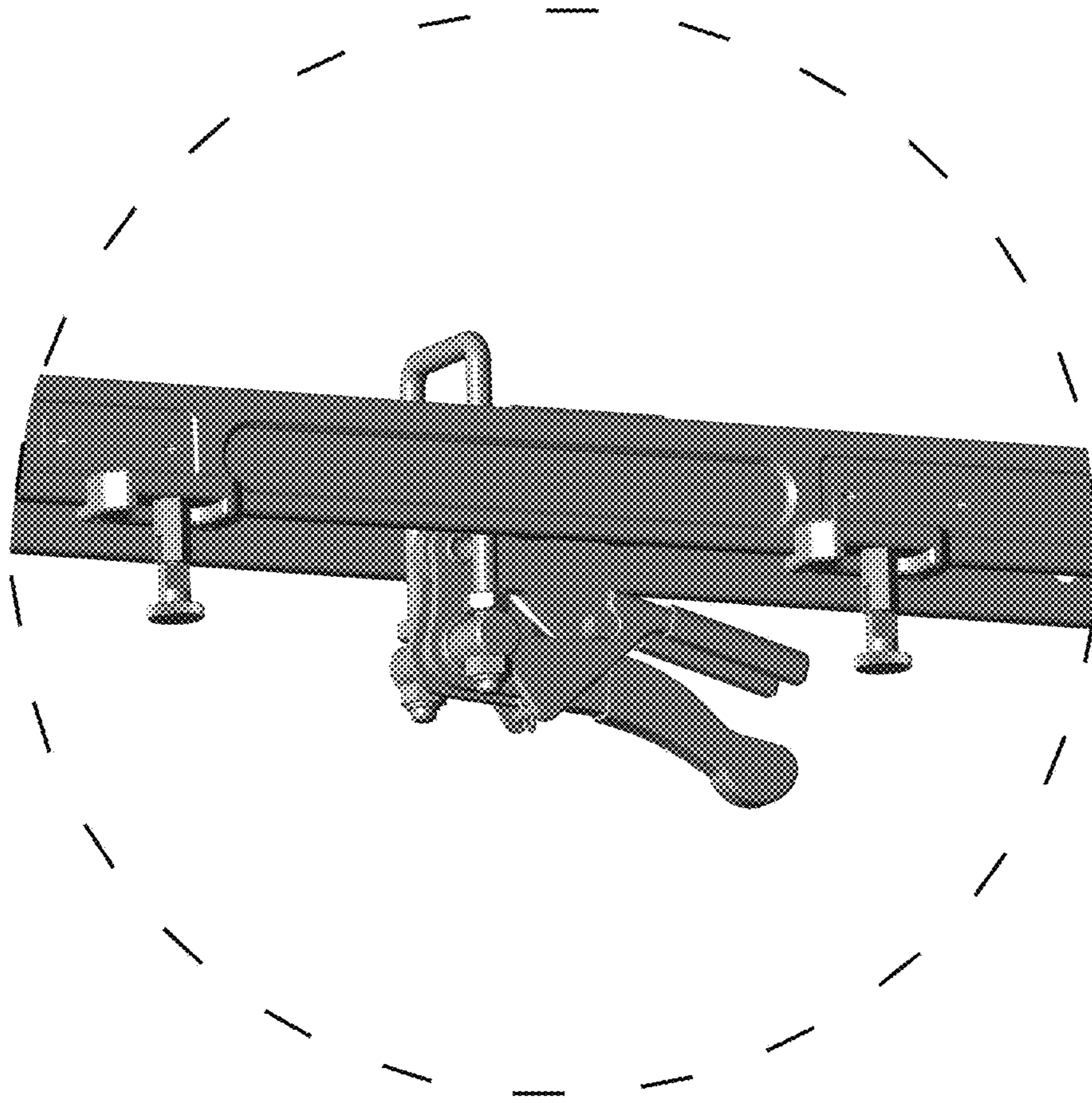


Fig. 78



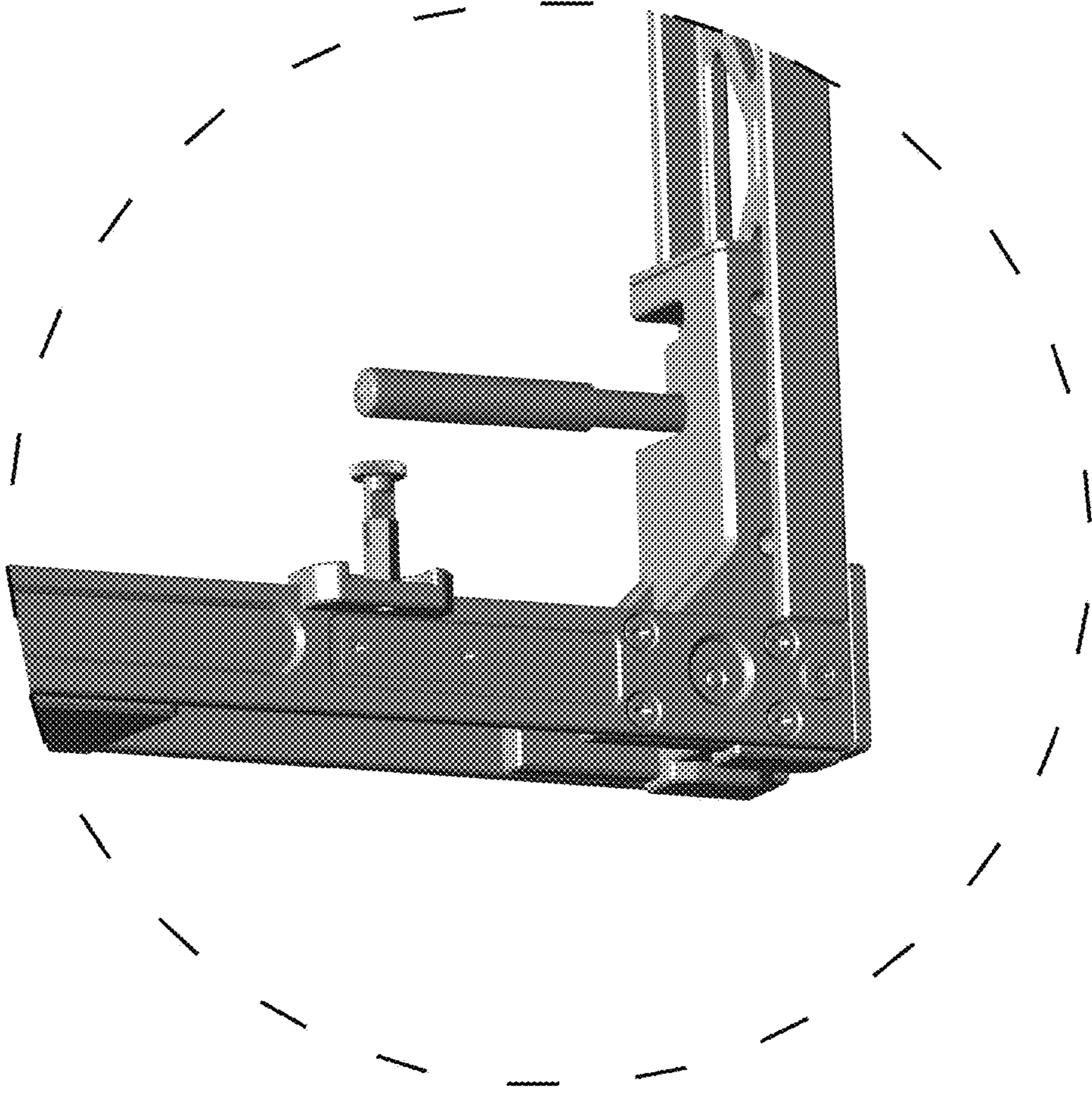


Fig. 79

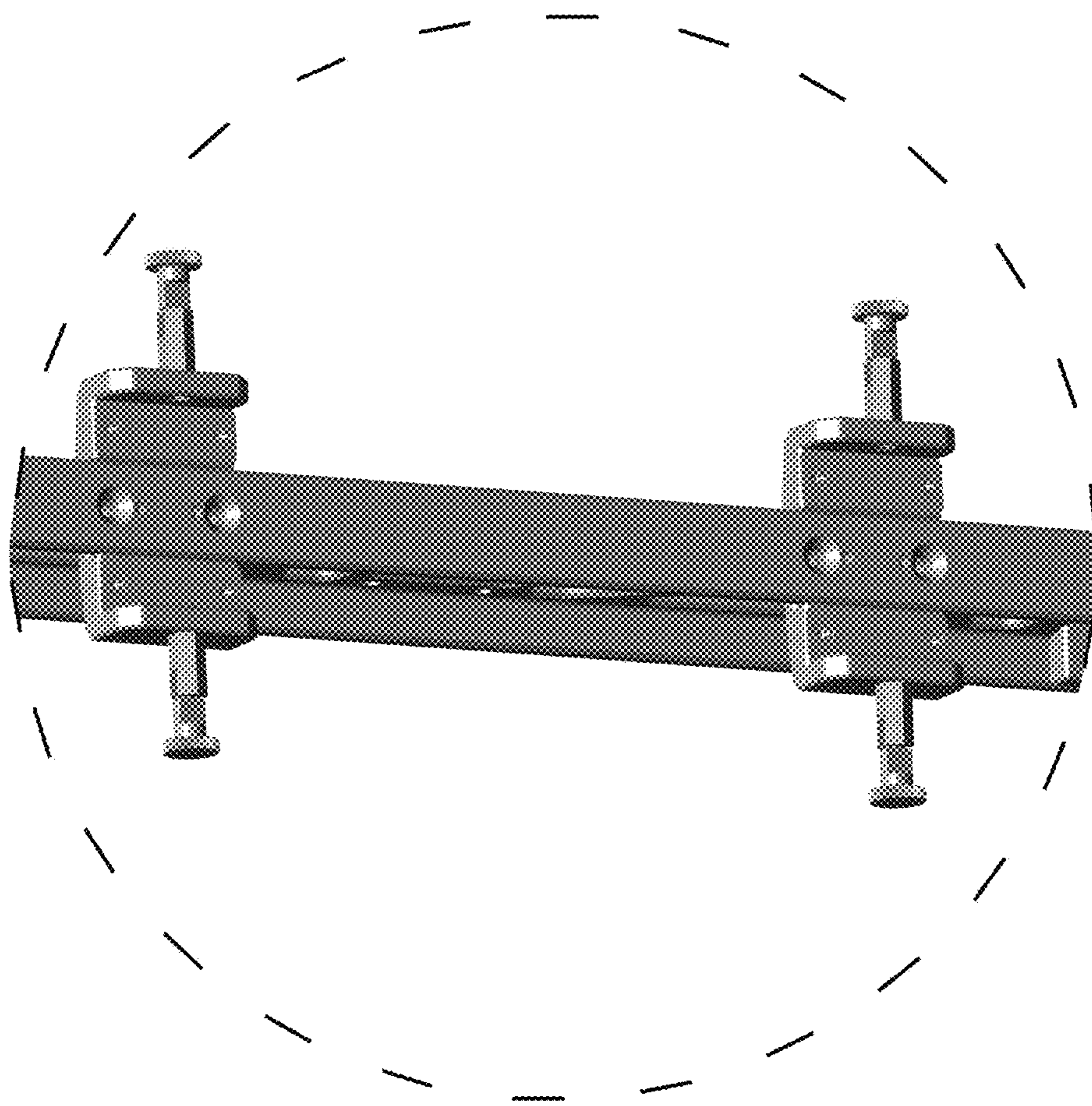


Fig. 80

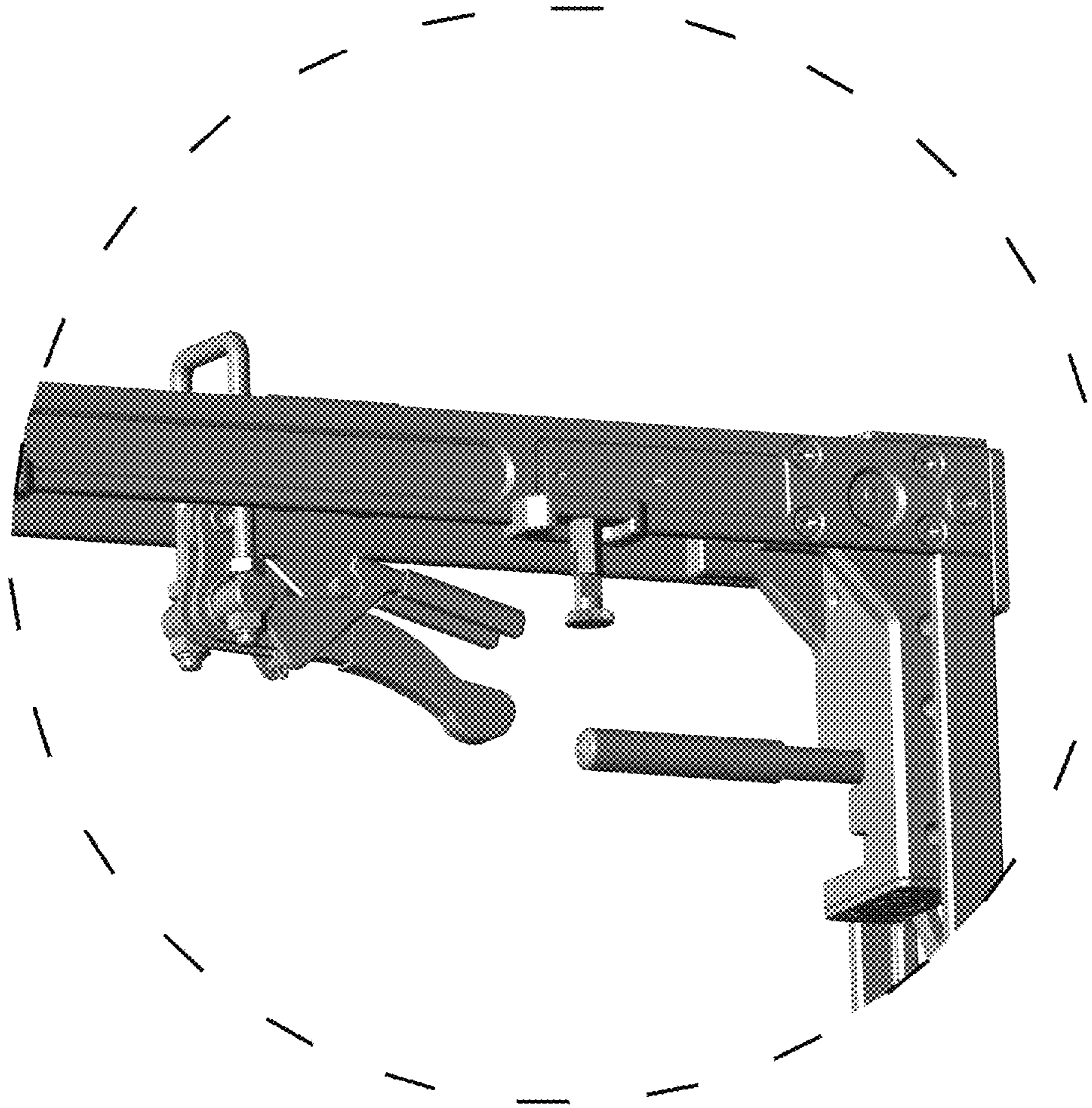


Fig. 81

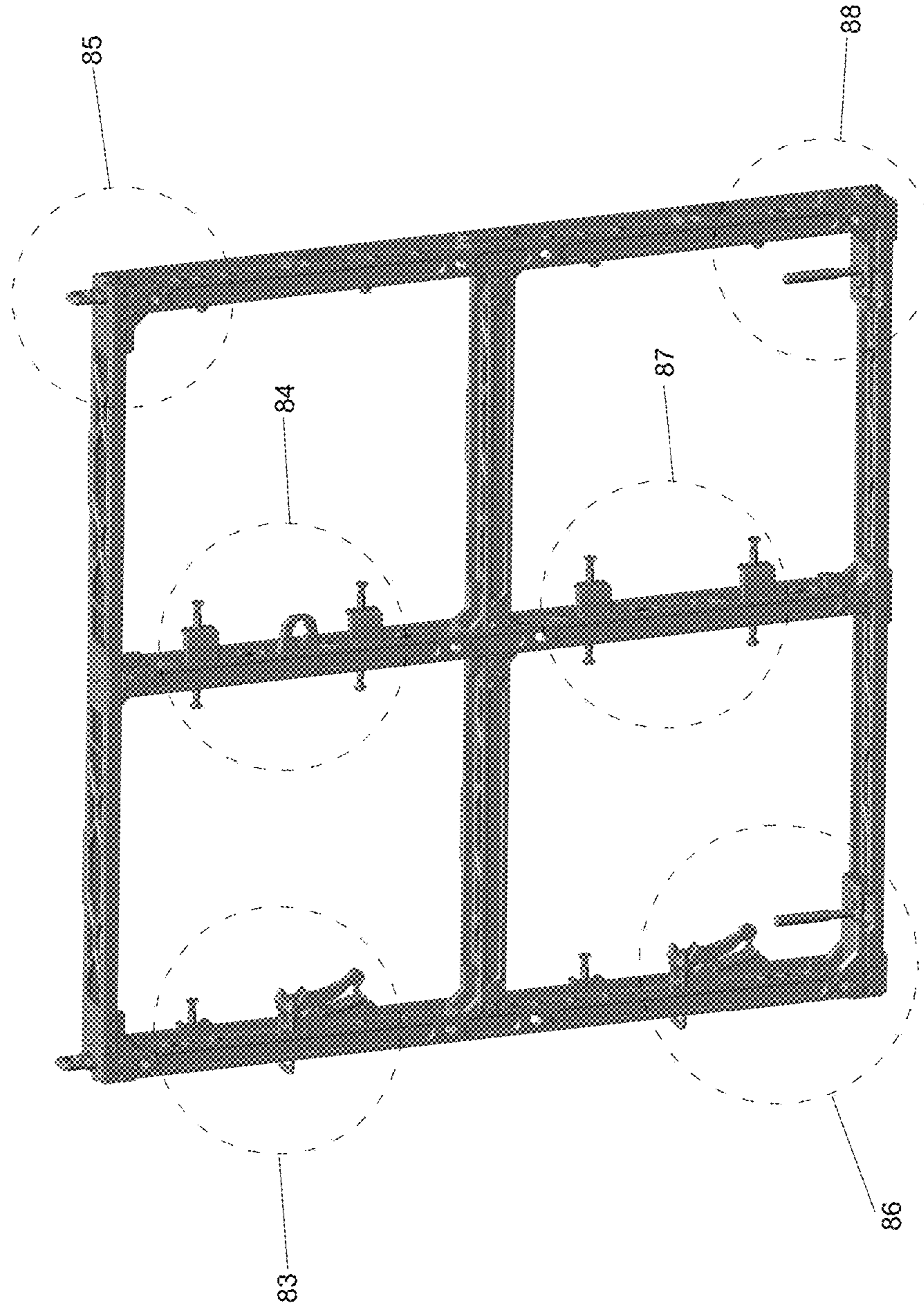


Fig. 82

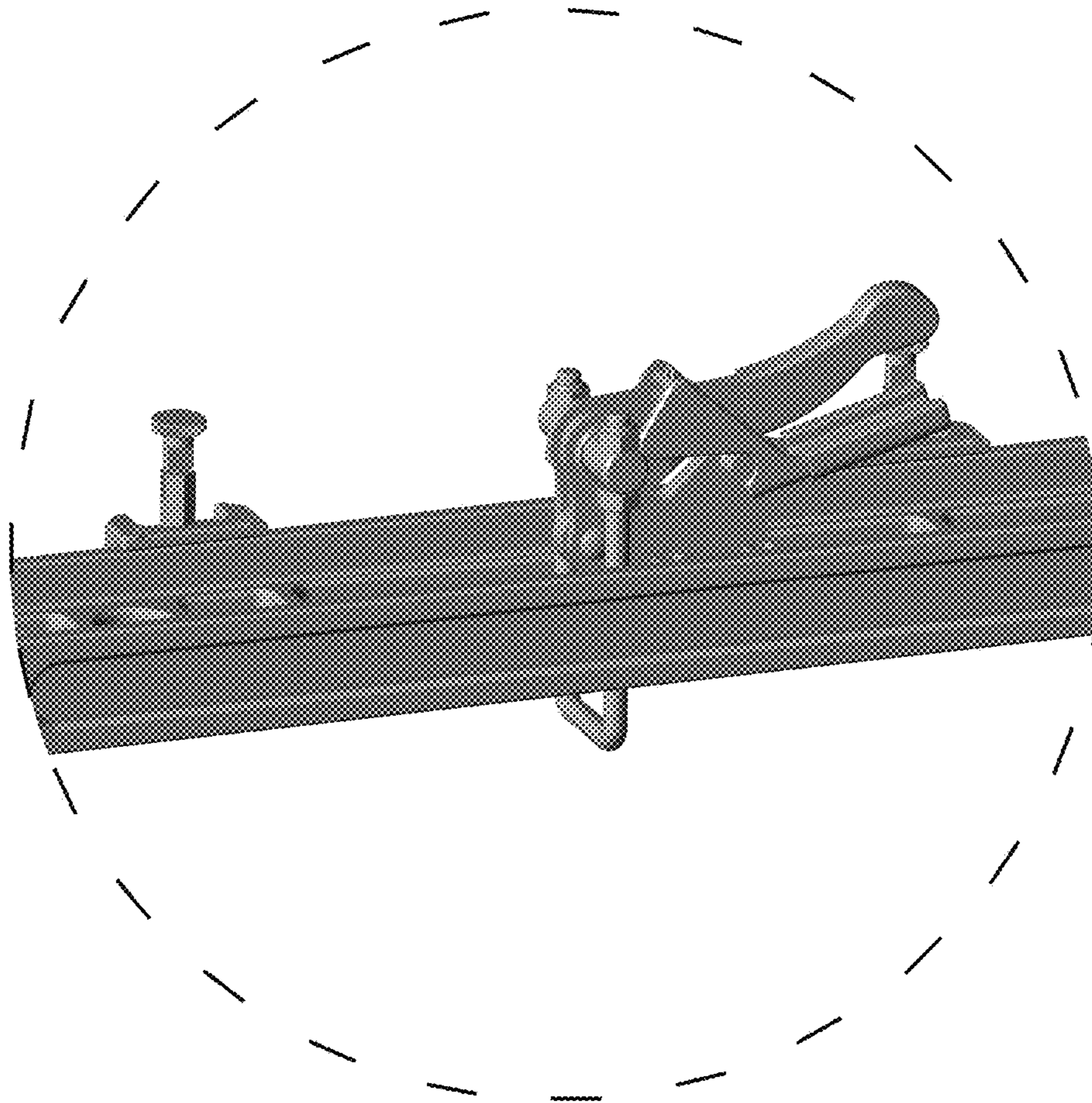


Fig. 83

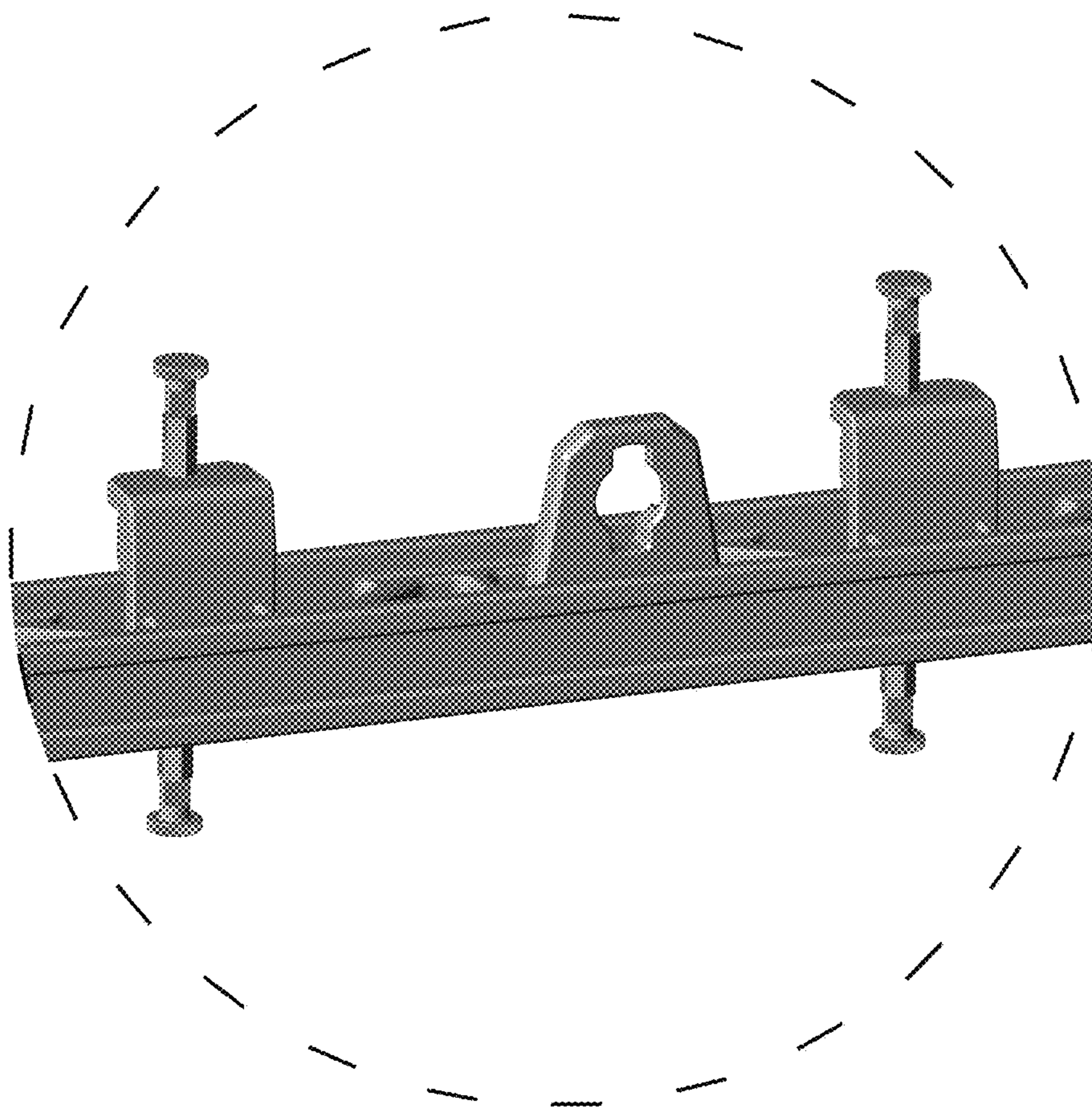


Fig. 84



Fig. 85

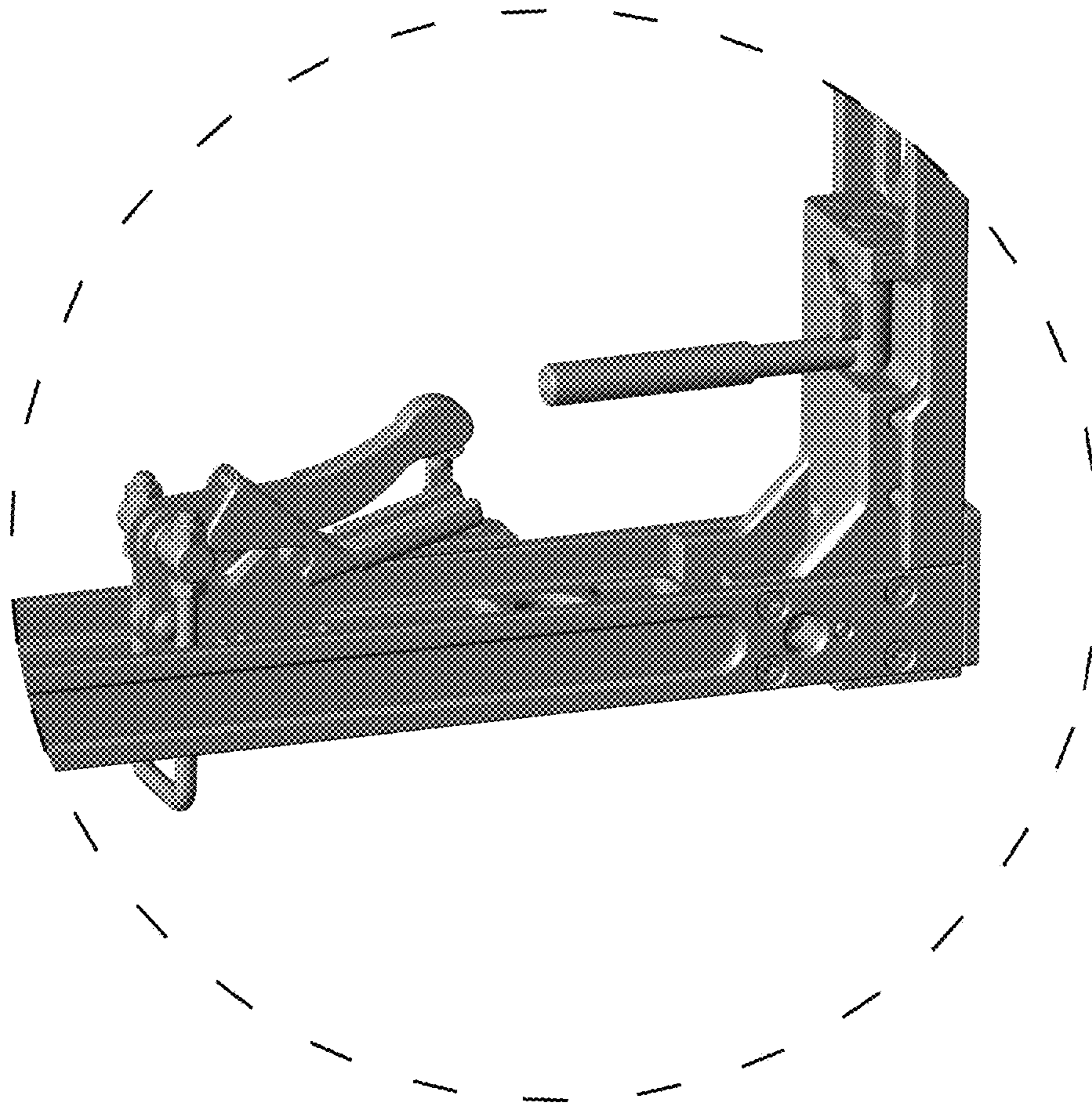


Fig. 86



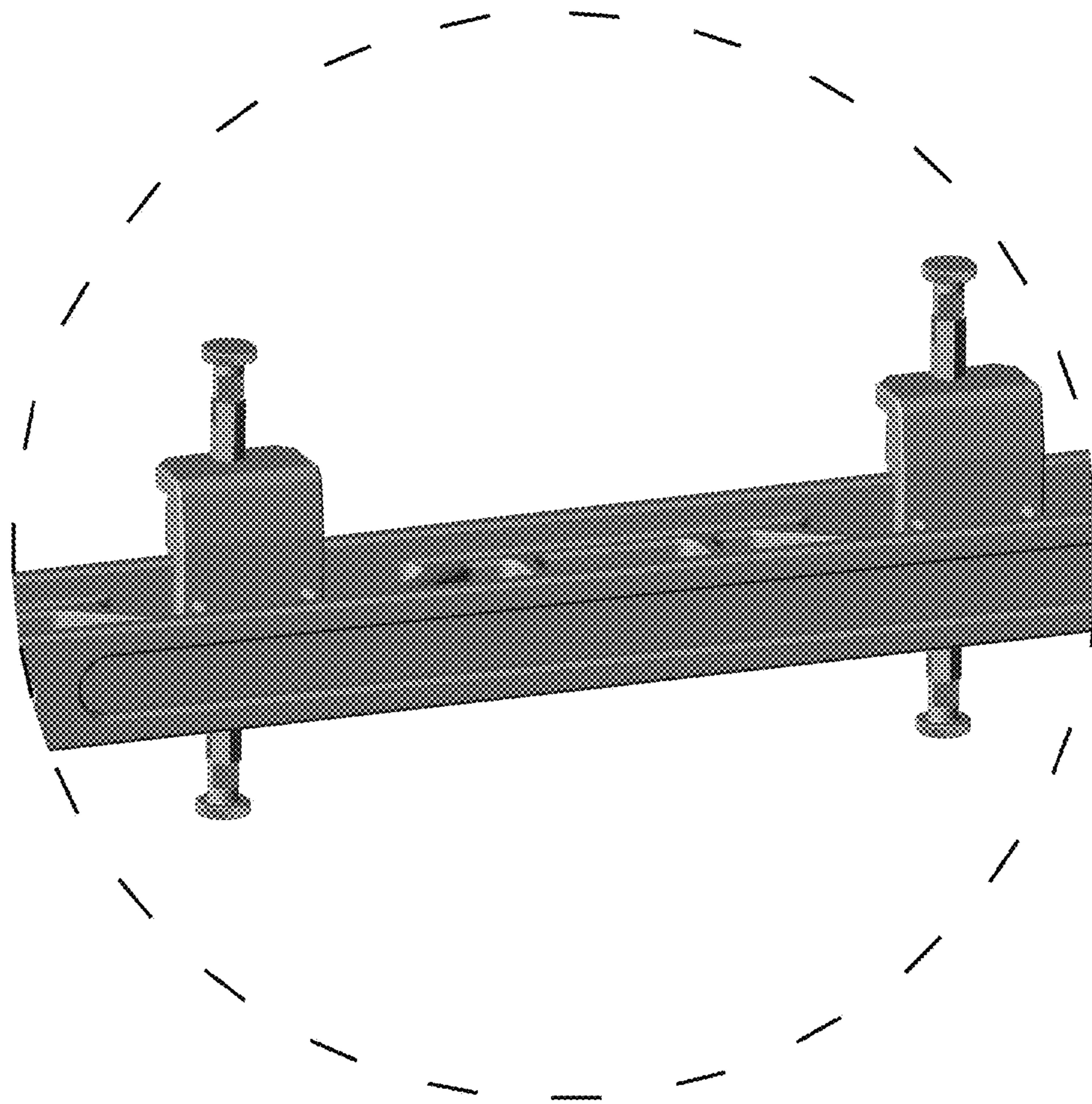


Fig. 87

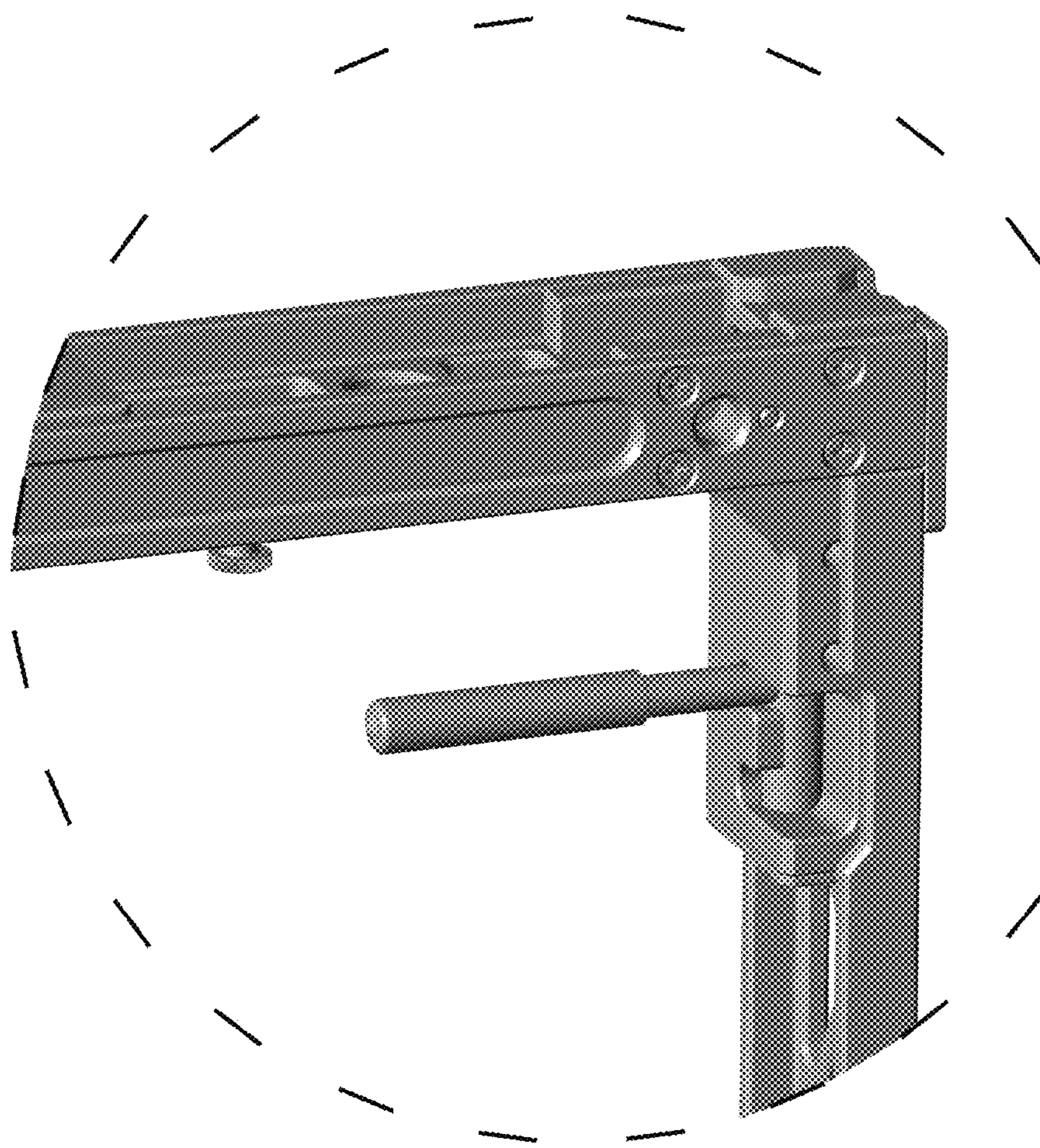


Fig. 88